

READ CAREFULLY ASSEMBLY AND CARE

INSTRUCTIONS FOR ASHFORD 1 DRAWER BOOKCASE ASH VENEER

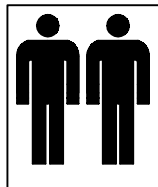
DESCRIPTION

ITEM NAME: ASHFORD 1 DRAWER BOOKCASE ASH VENEER

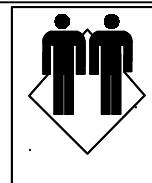
ITEM NO: 34000

45 mins

APPROXIMATE ASSEMBLY TIME



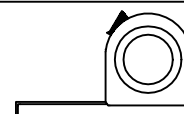
2 PERSONS ASSEMBLY



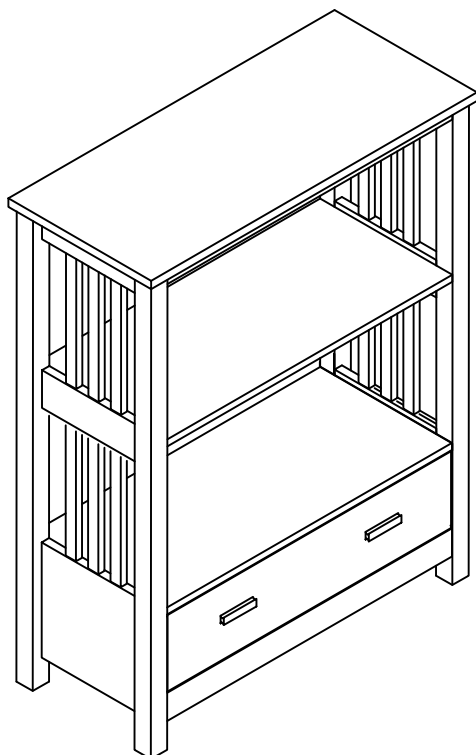
REQUIRED ASSEMBLY SPACE

Floor Area
1300*850mm

REQUIRED ASSEMBLY TOOLS



ASSEMBLED DIMENSIONS
W800*D350*H840mm



"It is recommended to use a PVA glue bought from a reputable DIY store to secure the components when assembling the product"

MOUNTROSE

Thank you for purchasing your new Mountrorse product.
If in the unlikely event you experience any problems with assembly or require any spare screws/fixings for this product.

DO NOT RETURN THIS ITEM!!!!!!

Please telephone the Mountrorse Customer Helpline

0161 406 5040

or email qc@mountrorse.co.uk

THIS DOES NOT AFFECT YOUR STATUTORY RIGHTS

MOUNTROSE

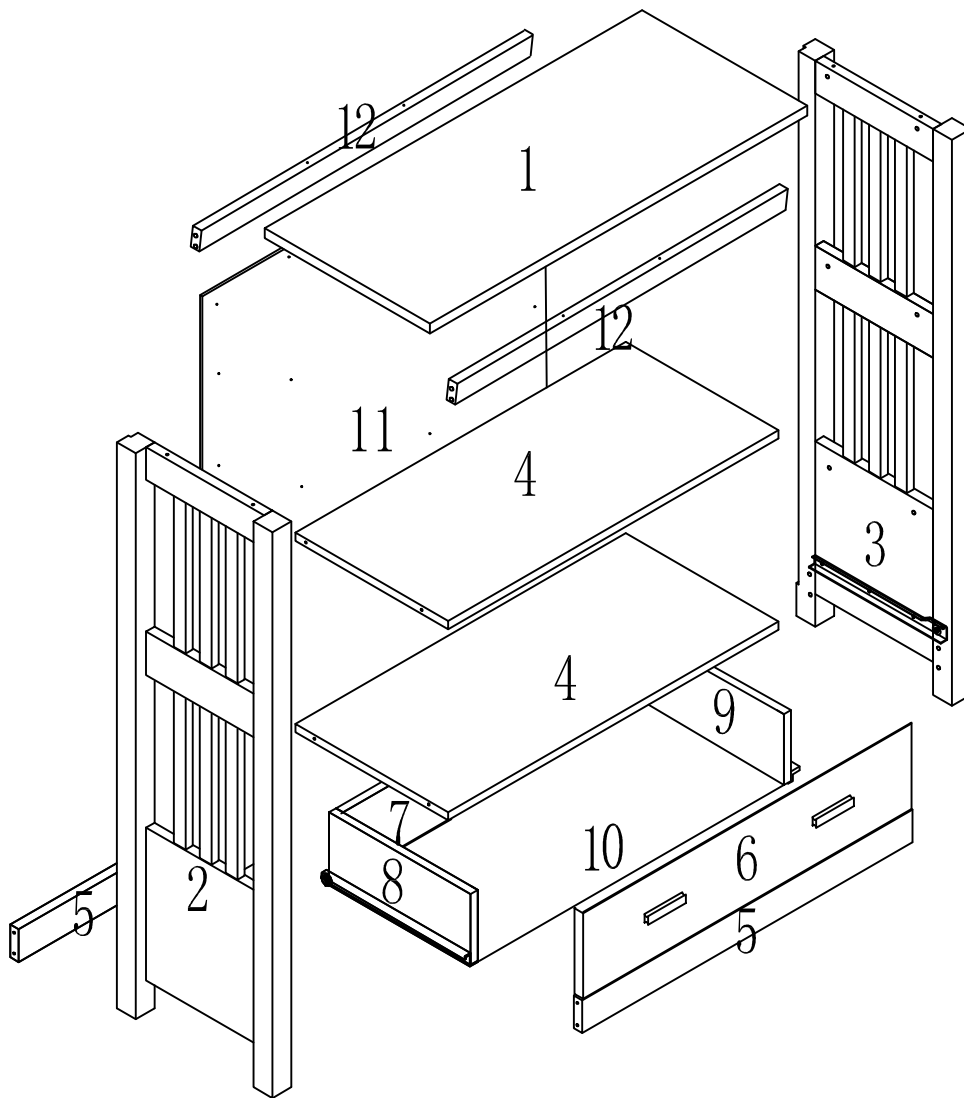
MOUNTROSE LIMITED, ALAN HOUSE, ASHTON ROAD, BREDBURY, STOCKPORT, SK6 2QN UNITED KINGDOM

DESCRIPTION

ITEM NAME: ASHFORD 1 DRAWER BOOKCASE ASH VENEER





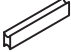
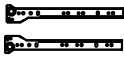



ITEM NO: 34000

Parts List

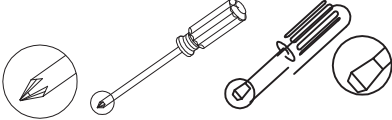


MOUNTROSE		<u>DESCRIPTION</u>
		ITEM NAME: ASHFORD 1 DRAWER BOOKCASE ASH VENEER ITEM NO: 34000

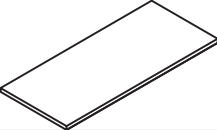
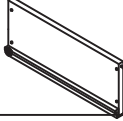
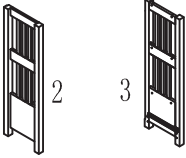
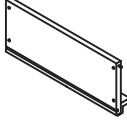
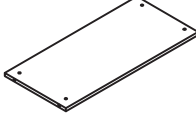
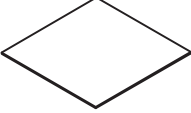
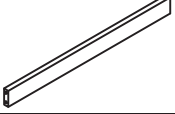

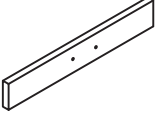
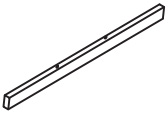

Hardware List

Label	Picture	Description	QTY	Label	Picture	Description	QTY
A		Metal cams and dowels	16 pairs	F		Screw 3 * 12	12
B		Screw 3 * 25	20	G		Left/Right Slider Supporter	2
C		Handle	4	H		Left/Right Metal Slider	2
D		Handle Screw 4*22	8	I		Dowels 5.8 x30mm	14
E		Screw 2.2 * 12	39				

Tool List

Label	Picture	Description	QTY
T-1		Screwdriver(not provided)	2

Parts List

Label	Picture	Description	QTY	Label	Picture	Description	QTY
1		Top	1	8		Drawer Sides	1
2		Left & Right Hand Sides	2	9		Drawer Sides	1
3							
4		Shelf	2	10		Drawer Base	1
5		Front & Back Rail	2	11		Board Back	3
6		Drawer Front	1	12		Front Rail	2
7		Drawer Back	1				

MOUNTROSE

MOUNTROSE LIMITED, ALAN HOUSE, ASHTON ROAD, BREDBURY, STOCKPORT, SK6 2QN UNITED KINGDOM

DESCRIPTION

ITEM NAME: ASHFORD 1 DRAWER BOOKCASE ASH VENEER

ITEM NO: 34000

Top Tips before you start!

1. Please check that all parts are present before you start the assembly of your furniture, as once assembled, the furniture is exempt from our home approval policy.
2. For ease and speed of assembly, we recommend that before you commence each step of the assembly, that you identify all the parts required for that step.
3. For larger items, please ensure that you have sufficient space and people (as indicated on page 1) to assemble your product safely.
4. We recommend that, where possible, all items are assembled near to the area in which they will be placed in use, to avoid moving the product unnecessarily once assembled.
5. For the protection of your furniture, particularly items of high gloss finish, we recommend that the product is placed on a protected surface during assembly to prevent any damage.
6. During assembly please take care not to over-tighten any fittings, as this may damage the product.

Care and Maintenance of your Furniture

General for Cabinets

- Please periodically check all fittings and re-tighten as necessary.
- To clean your item, please use a damp cloth and wipe clean.
- Never allow any kind of liquid to remain on your furniture. Absorption can cause wood to warp or finishes to de-laminate.
- Please do not place hot items (e.g .hot drinks) directly on to the wood surface.
- Please do not drag and pull your furniture.

MOUNTROSE

Thank you for purchasing your new Mountrose product.
If in the unlikely event you experience any problems with assembly or require any spare screws/fixings for this product.

DO NOT RETURN THIS ITEM!!!!

Please telephone the Mountrose Customer Helpline

0161 406 5040
or email qc@mountrose.co.uk

THIS DOES NOT AFFECT YOUR STATUTORY RIGHTS



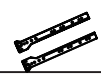

DESCRIPTION

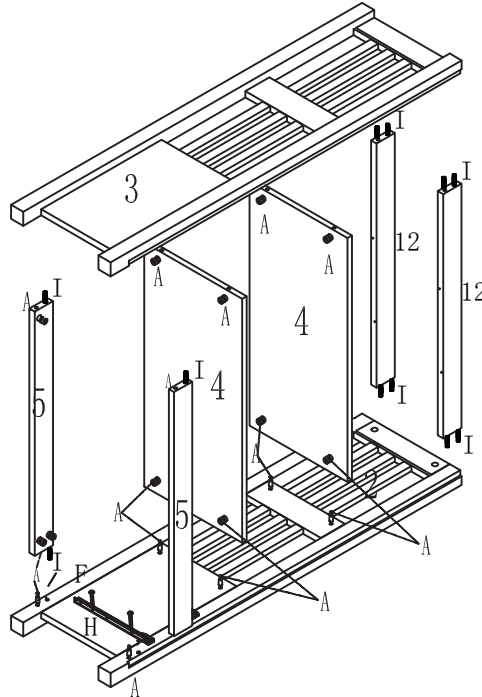
ITEM NAME: ASHFORD 1 DRAWER BOOKCASE ASH VENEER

ITEM NO: 34000




Assembly Steps

Step 1

Label	Picture	Description	QTY
A		Metal cams and dowels	12 pairs
F		Screw 3 * 12	4
H		Left/Right Metal Slider	2
I		Dowels 5.8 x 30mm	12



Step 2

Label	Picture	Description	QTY
A		Metal cams and dowels	4 pairs
I		Dowels 5.8 x 30mm	2
B		Screw 3 * 25	4

