

# READ CAREFULLY ASSEMBLY AND CARE INSTRUCTIONS FOR ASHFORD COFFEE TABLE WALNUT

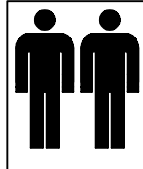
## DESCRIPTION

ITEM NAME: ASHFORD COFFEE TABLE WALNUT

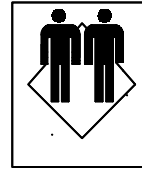
ITEM NO: 37147

# 20 mins

APPROXIMATE ASSEMBLY TIME



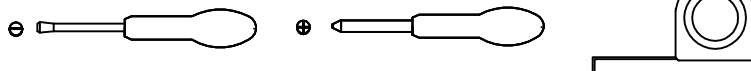
2PERSONS ASSEMBLY



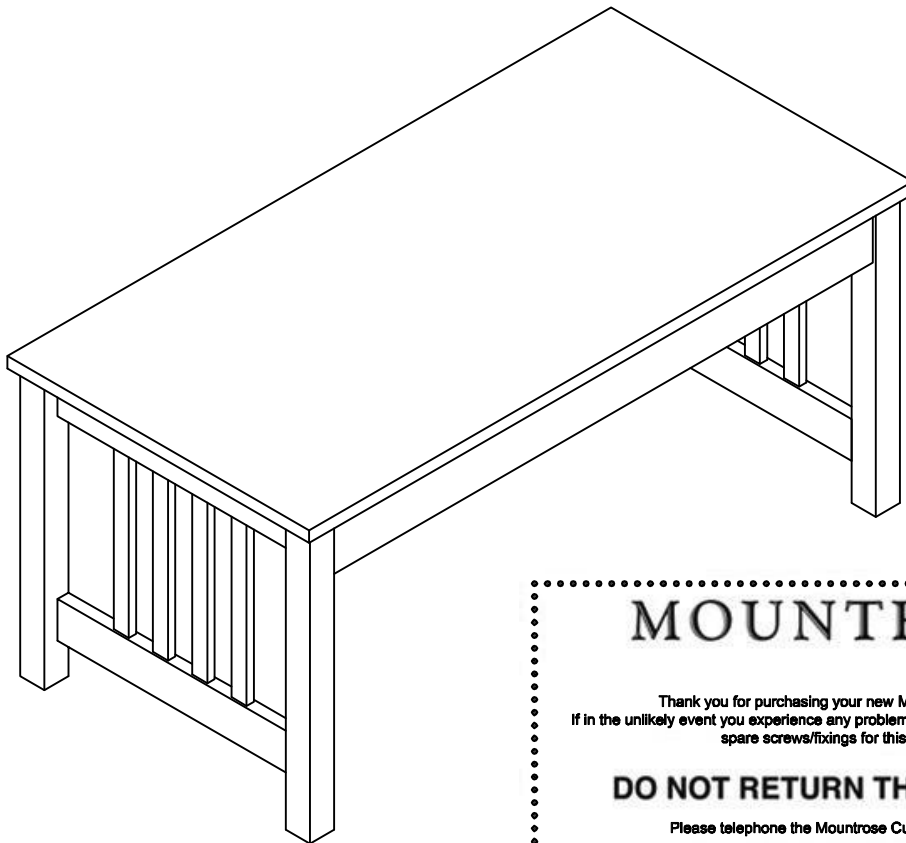
REQUIRED ASSEMBLY SPACE

Floor Area  
1500\*1000mm

REQUIRED ASSEMBLY TOOLS



ASSEMBLED DIMENSIONS  
W1000\*D500\*H460mm



"It is recommend to use a PVA glue bought from a reputable DIY store to secure the components B when assembling the product"

## MOUNTROSE

Thank you for purchasing your new Mountrorse product.  
If in the unlikely event you experience any problems with assembly or require any spare screws/fixings for this product.

**DO NOT RETURN THIS ITEM!!!!!!**

Please telephone the Mountrorse Customer Helpline

**0161 406 5040**  
or email [qc@mountrorse.co.uk](mailto:qc@mountrorse.co.uk)

THIS DOES NOT AFFECT YOUR STATUTORY RIGHTS

# MOUNTROSE

MOUNTROSE LIMITED, ALAN HOUSE, ASHTON ROAD, BREDBURY, STOCKPORT, SK6 2QN UNITED KINGDOM

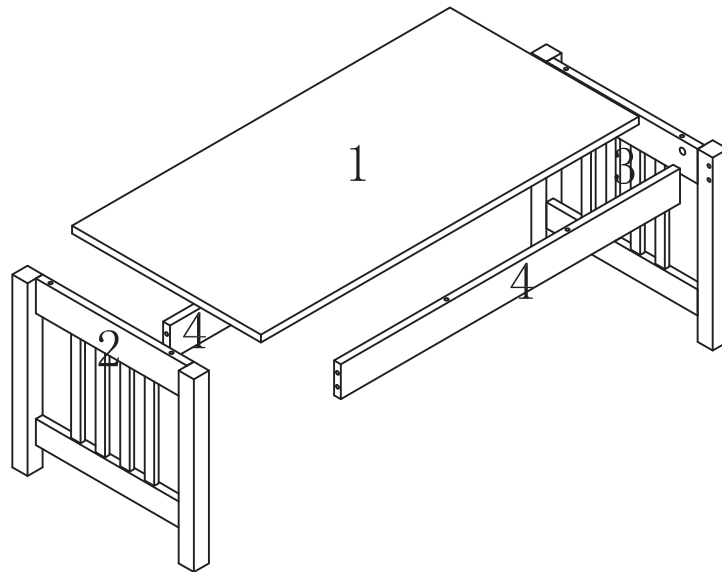
MOUNTROSE

DESCRIPTION

ITEM NAME: ASHFORD COFFEE TABLE WALNUT

ITEM NO: 37147

Parts List



Hardware List

Label	Picture	Description	QTY
A		Metal cams and dowel	12pairs
B		Dowels 5.8 x30mm	6

Tool List

Label	Picture	Description	QTY
T-1		Screwdriver(not provided)	2

Parts List

Label	Picture	Description	QTY	Label	Picture	Description	QTY
1		Top 1000*500*18	1	4		Front & Back Rail 900*80*18	2
2		Left&Right hand sides 480*442*40	2				
3							

MOUNTROSE

MOUNTROSE LIMITED, ALAN HOUSE, ASHTON ROAD, BREDBURY, STOCKPORT, SK6 2QN UNITED KINGDOM

DESCRIPTION

ITEM NAME: ASHFORD COFFEE TABLE WALNUT

ITEM NO: 37147

**Top Tips before you start!**

1. Please check that all parts are present before you start the assembly of your furniture, as once assembled, the furniture is exempt from our home approval policy.
2. For ease and speed of assembly, we recommend that before you commence each step of the assembly, that you identify all the parts required for that step.
3. For larger items, please ensure that you have sufficient space and people (as indicated on page 1) to assemble your product safely.
4. We recommend that, where possible, all items are assembled near to the area in which they will be placed in use, to avoid moving the product unnecessarily once assembled.
5. For the protection of your furniture, particularly items of high gloss finish, we recommend that the product is placed on a protected surface during assembly to prevent any damage.
6. During assembly please take care not to over-tighten any fittings, as this may damage the product.

**Care and Maintenance of your Furniture****General for Cabinets**

- Please periodically check all fittings and re-tighten as necessary.
- To clean your item, please use a damp cloth and wipe clean.
- Never allow any kind of liquid to remain on your furniture. Absorption can cause wood to warp or finishes to de-laminate.
- Please do not place hot items (e.g .hot drinks) directly on to the wood surface.
- Please do not drag and pull your furniture.



## DESCRIPTION

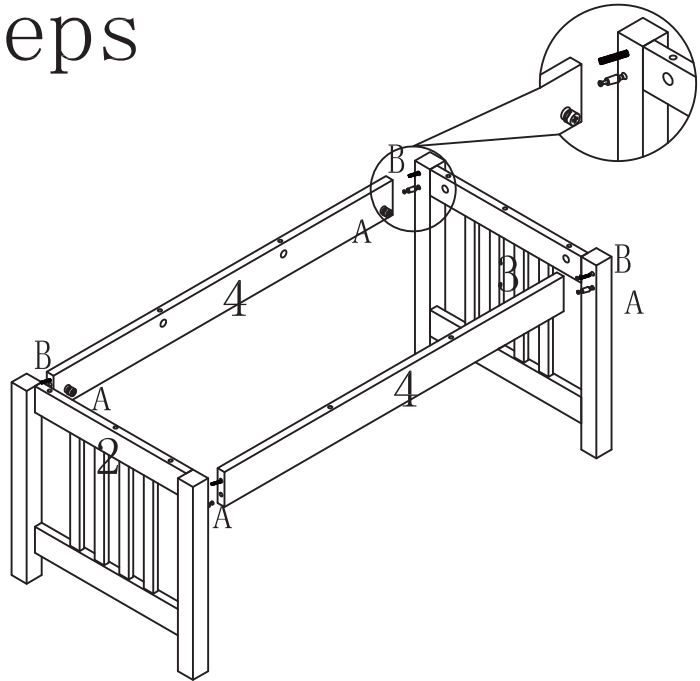
ITEM NAME: ASHFORD COFFEE TABLE WALNUT

ITEM NO: 37147



# Assembly Steps

## Step 1

Label	Picture	Description	QTY
A		Metal cams and dowel	4 pairs
B		Dowels 5.8 x30mm	4



## Step 2

Label	Picture	Description	QTY
A		Metal cams and dowel	8 pairs
B		Dowels 5.8 x30mm	2

