

READ CAREFULLY ASSEMBLY AND CARE INSTRUCTIONS FOR ASHFORD 2 DRAWER CONSOLE TABLE

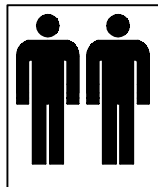
DESCRIPTION

ITEM NAME: ASHFORD 2 DRAWER CONSOLE TABLE

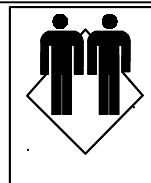
ITEM NO: 39134/39149

35 mins

APPROXIMATE ASSEMBLY TIME



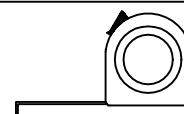
2PERSONS ASSEMBLY



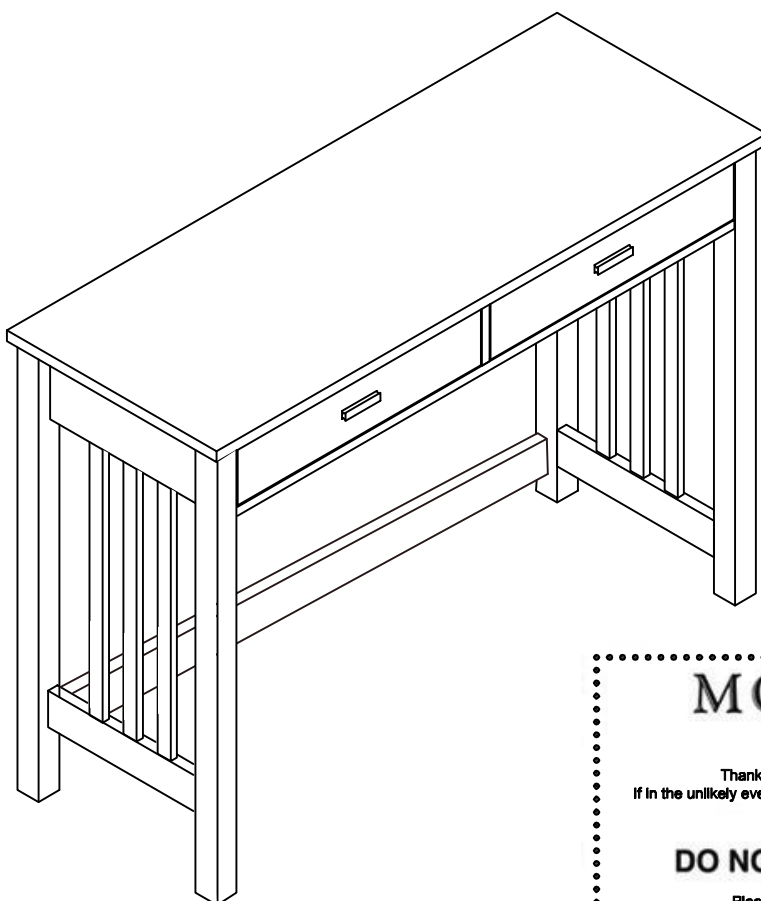
REQUIRED ASSEMBLY SPACE

Floor Area
1300*850mm

REQUIRED ASSEMBLY TOOLS



ASSEMBLED DIMENSIONS
W1050*D400*H1760mm



"It is recommend to use a PVA glue bought from a reputable DIY store to secure the components E when assembling the product"

MOUNTROSE

Thank you for purchasing your new Mountrose product.
If in the unlikely event you experience any problems with assembly or require any spare screws/fixings for this product.

DO NOT RETURN THIS ITEM!!!!!!

Please telephone the Mountrose Customer Helpline

0161 406 5040
or email qc@mountrose.co.uk

THIS DOES NOT AFFECT YOUR STATUTORY RIGHTS

MOUNTROSE

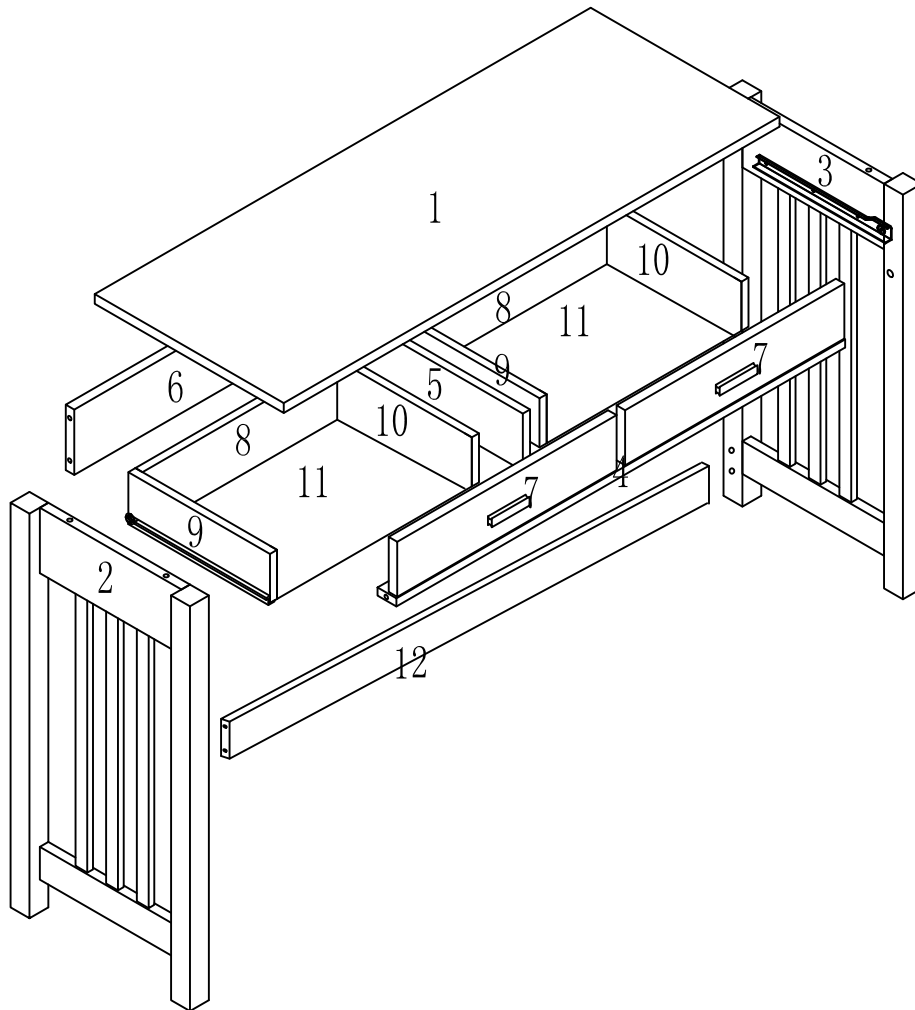
MOUNTROSE LIMITED, ALAN HOUSE, ASHTON ROAD, BREDBURY, STOCKPORT, SK6 2QN UNITED KINGDOM

DESCRIPTION

ITEM NAME: ASHFORD 2 DRAWER CONSOLE TABLE



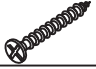
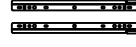

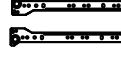



ITEM NO: 39134/39149

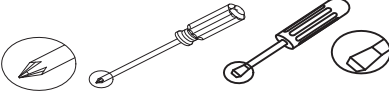
Parts List



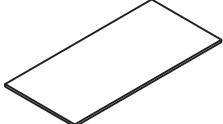
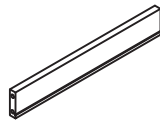
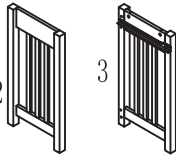
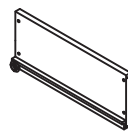
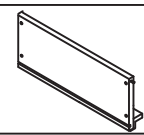
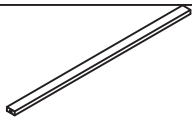
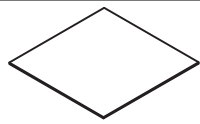
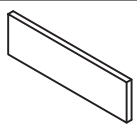
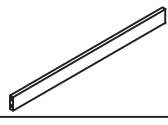
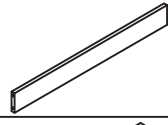
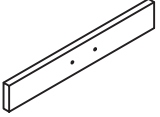
<h1>MOUNTROSE</h1>		DESCRIPTION
		ITEM NAME: ASHFORD 2 DRAWER CONSOLE TABLE
		ITEM NO: 39134/39149

Hardware List

Label	Picture	Description	QTY	Label	Picture	Description	QTY
A		Pillar	20	E		Dowels 5.8 x30mm	1
B		Screw 3 *25	17	F		Left/Right Slider Supporter	4
C		Handle	2	G		Left/Right Metal Slider	4
D		Handle Screw 4*20	4	H		Screw 3 * 10	24
Tool List				I		Cam	20

Label	Picture	Description	QTY
T-1		Screwdriver(not provided)	2

Parts List

Label	Picture	Description	QTY	Label	Picture	Description	QTY
1		Top	1	8		Drawer Back	2
2		Left&Right Hand Sides	2	9		Drawer Side	2
3				10		Drawer Side	2
4		Front Rail	1	11		Drawer Base	2
5		Middle Rail	1	12		Back Rail	1
6		Back Rail	1				
7		Drawer Front	2				

<h1>MOUNTROSE</h1>	MOUNTROSE LIMITED, ALAN HOUSE, ASHTON ROAD, BREDBURY, STOCKPORT, SK6 2QN UNITED KINGDOM
--------------------	---

DESCRIPTION

ITEM NAME: ASHFORD 2 DRAWER CONSOLE TABLE

ITEM NO: 39134/39149

Top Tips before you start!

1. Please check that all parts are present before you start the assembly of your furniture, as once assembled, the furniture is exempt from our home approval policy.
2. For ease and speed of assembly, we recommend that before you commence each step of the assembly, that you identify all the parts required for that step.
3. For larger items, please ensure that you have sufficient space and people (as indicated on page 1) to assemble your product safely.
4. We recommend that, where possible, all items are assembled near to the area in which they will be placed in use, to avoid moving the product unnecessarily once assembled.
5. For the protection of your furniture, particularly items of high gloss finish, we recommend that the product is placed on a protected surface during assembly to prevent any damage.
6. During assembly please take care not to over-tighten any fittings, as this may damage the product.

Care and Maintenance of your Furniture

General for Cabinets

- Please periodically check all fittings and re-tighten as necessary.
- To clean your item, please use a damp cloth and wipe clean.
- Never allow any kind of liquid to remain on your furniture. Absorption can cause wood to warp or finishes to de-laminate.
- Please do not place hot items (e.g .hot drinks) directly on to the wood surface.
- Please do not drag and pull your furniture.

MOUNTROSE

Thank you for purchasing your new Mountrose product.
If in the unlikely event you experience any problems with assembly or require any spare screws/fixings for this product.

DO NOT RETURN THIS ITEM!!!!

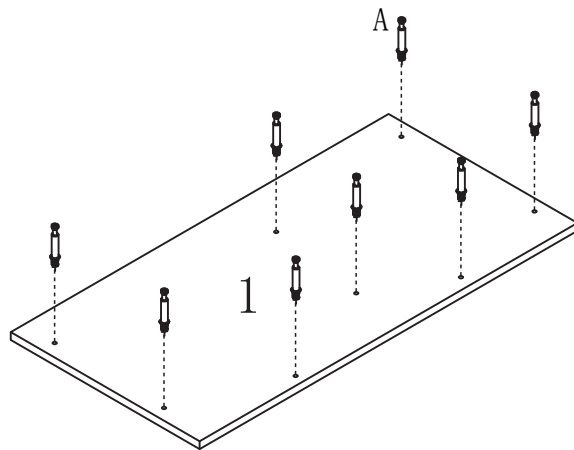
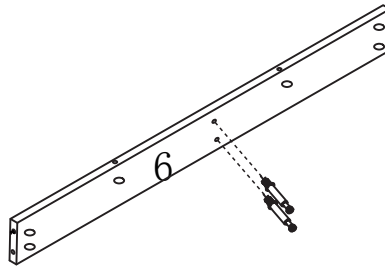
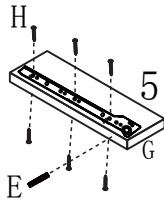
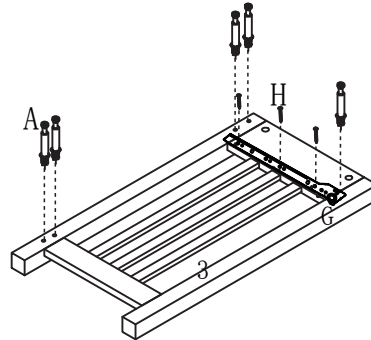
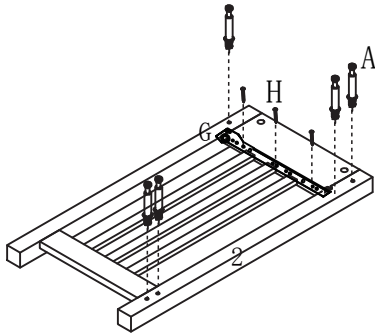
Please telephone the Mountrose Customer Helpline

0161 406 5040
or email qc@mountrose.co.uk

THIS DOES NOT AFFECT YOUR STATUTORY RIGHTS

Assembly Steps

Step 1



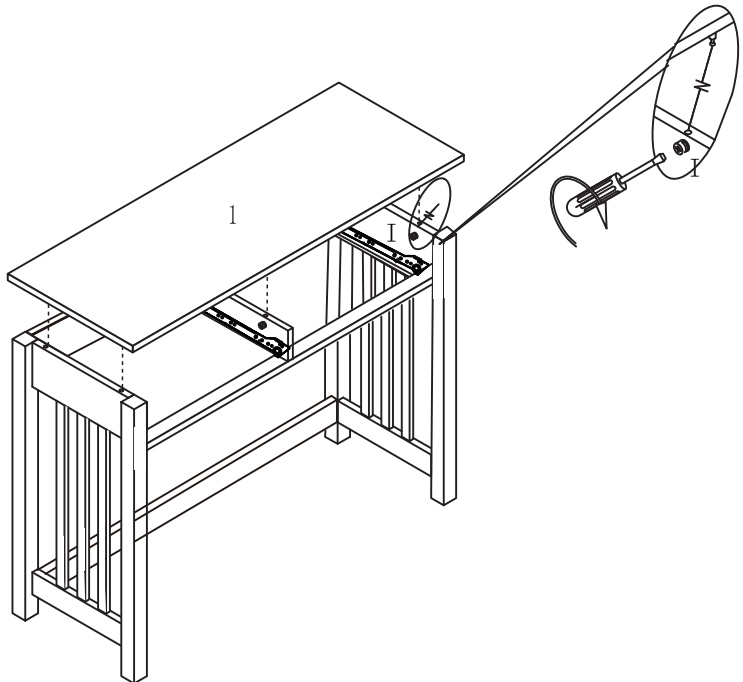
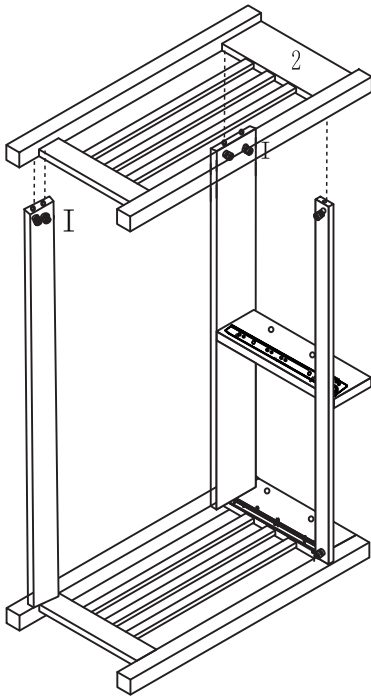
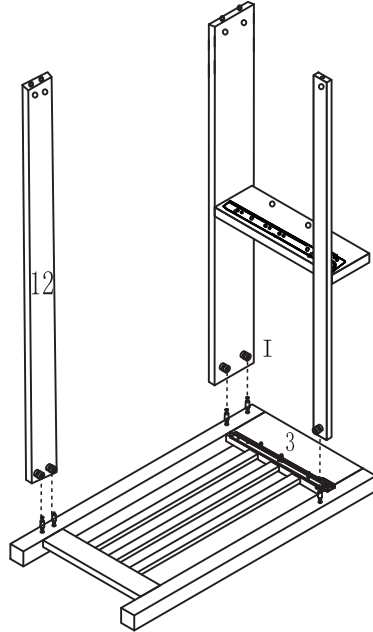
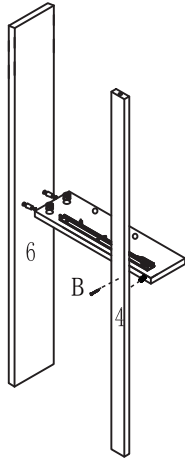
DESCRIPTION

ITEM NAME: ASHFORD 2 DRAWER CONSOLE TABLE

ITEM NO: 39134/39149

Assembly Steps

Step 2



MOUNTROSE

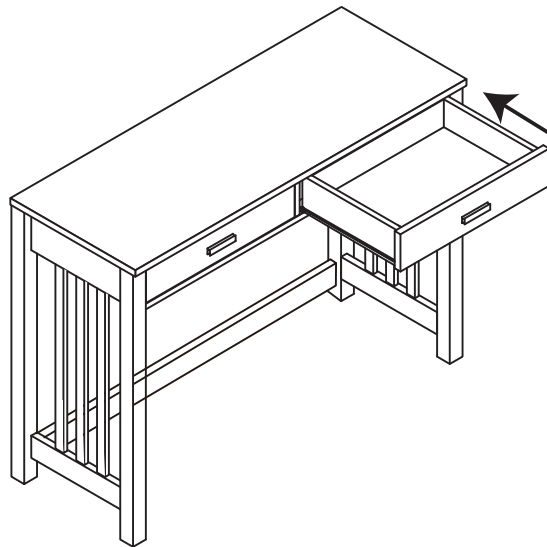
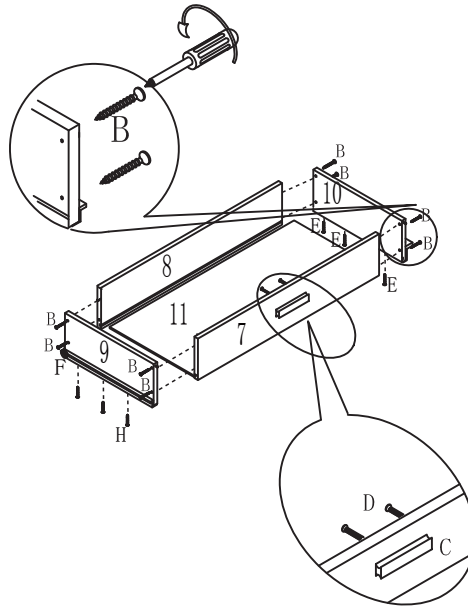
DESCRIPTION

ITEM NAME: ASHFORD 2 DRAWER CONSOLE TABLE

ITEM NO: 39134/39149

Assembly Steps

Step 3



MOUNTROSE

MOUNTROSE LIMITED, ALAN HOUSE, ASHTON ROAD, BREDBURY, STOCKPORT, SK6 2QN UNITED KINGDOM