

READ CAREFULLY ASSEMBLY AND CARE INSTRUCTIONS FOR ASHFORD 1 DRAWER SIDE TABLE

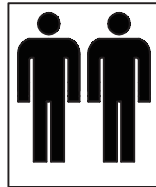
DESCRIPTION

ITEM NAME: ASHFORD 1 DRAWER SIDE TABLE

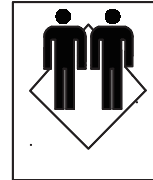
ITEM NO: 39133/19148

35 mins

APPROXIMATE ASSEMBLY TIME



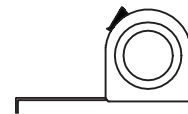
2 PERSONS ASSEMBLY



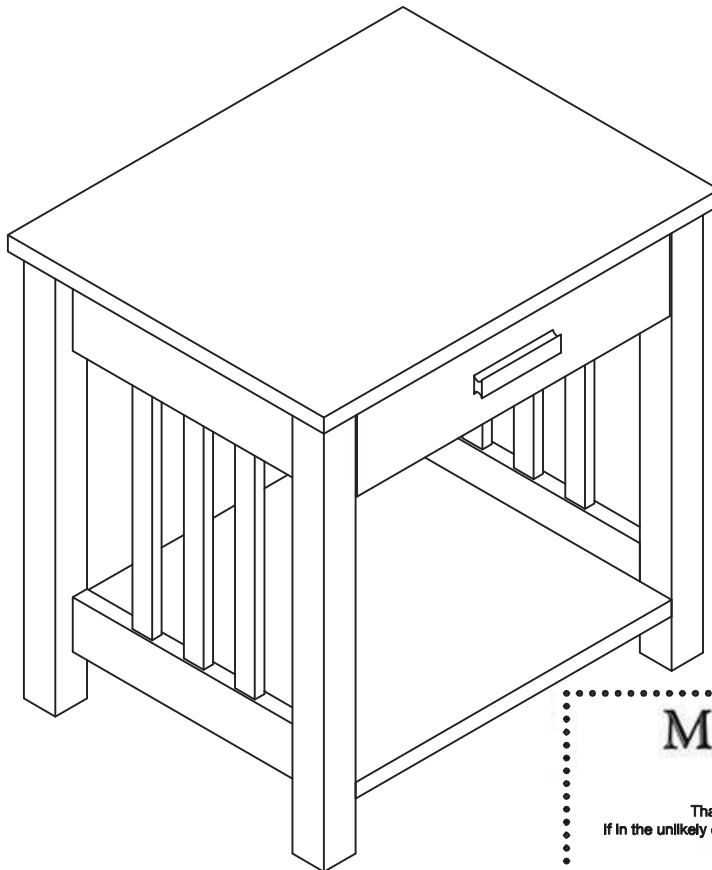
REQUIRED ASSEMBLY SPACE

Floor Area
1000*900mm

REQUIRED ASSEMBLY TOOLS



ASSEMBLED DIMENSIONS
W500*D400*H510mm



MOUNTROSE

Thank you for purchasing your new Mountrose product.
If in the unlikely event you experience any problems with assembly or require any spare screws/fixings for this product.

DO NOT RETURN THIS ITEM!!!!!!

Please telephone the Mountrose Customer Helpline

0161 406 5040

or email qc@mountrose.co.uk

THIS DOES NOT AFFECT YOUR STATUTORY RIGHTS

MOUNTROSE

MOUNTROSE LIMITED, ALAN HOUSE, ASHTON ROAD, BREDBURY, STOCKPORT, SK6 2QN UNITED KINGDOM

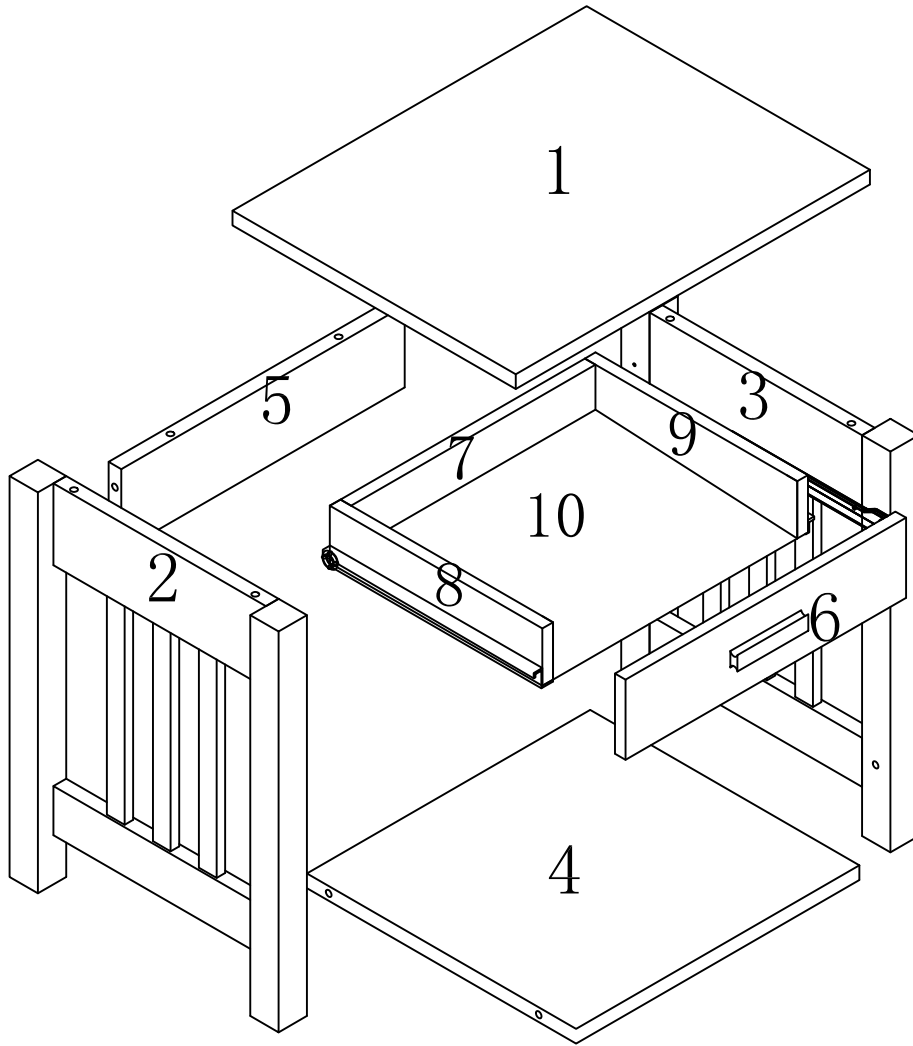
MOUNTROSE

DESCRIPTION

ITEM NAME: ASHFORD 1 DRAWER SIDE TABLE

ITEM NO: 39133/19148

Parts List




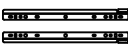
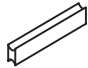
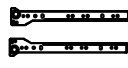




MOUNTROSE

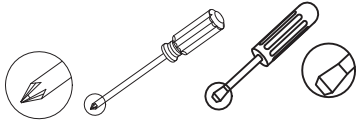
MOUNTROSE LIMITED, ALAN HOUSE, ASHTON ROAD, BREDBURY, STOCKPORT, SK6 2QN UNITED KINGDOM

<h1>MOUNTROSE</h1>	<u>DESCRIPTION</u> ITEM NAME: ASHFORD 1 DRAWER SIDE TABLE ITEM NO: 39133/19148

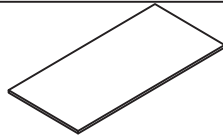
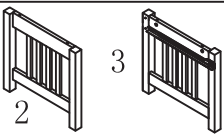
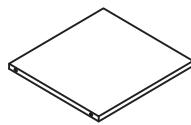
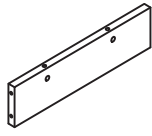
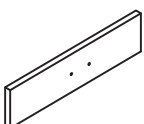
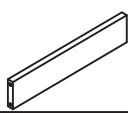
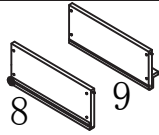
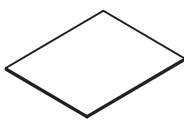
Hardware List

Label	Picture	Description	QTY	Label	Picture	Description	QTY
A		Pillar	14	E		Screw 3 * 10	12
B		Screw 3 * 25	8	F		Left/Right Slider Supporter	2
C		Handle	1	G		Left/Right Metal Slider	2
D		Handle Screw 4 * 20	2	H		Cam	14

Tool List

Label	Picture	Description	QTY
T-1		Screwdriver(not provided)	2

Parts List

Label	Picture	Description	QTY	Label	Picture	Description	QTY
1		Top	1	2 3		Left&Right Hand Sides	2
4		Shelf	1	5		Back Rail	1
6		Drawer Front	1	7		DRAWER BACK PANEL	1
8 9		Drawer Sides	2	10		Drawer Base	1

MOUNTROSE

MOUNTROSE LIMITED, ALAN HOUSE, ASHTON ROAD, BREDBURY, STOCKPORT, SK6 2QN UNITED KINGDOM

DESCRIPTION

ITEM NAME: ASHFORD 1 DRAWER SIDE TABLE

ITEM NO: 39133/19148

Top Tips before you start!

1. Please check that all parts are present before you start the assembly of your furniture, as once assembled, the furniture is exempt from our home approval policy.
2. For ease and speed of assembly, we recommend that before you commence each step of the assembly, that you identify all the parts required for that step.
3. For larger items, please ensure that you have sufficient space and people (as indicated on page 1) to assemble your product safely.
4. We recommend that, where possible, all items are assembled near to the area in which they will be placed in use, to avoid moving the product unnecessarily once assembled.
5. For the protection of your furniture, particularly items of high gloss finish, we recommend that the product is placed on a protected surface during assembly to prevent any damage.
6. During assembly please take care not to over-tighten any fittings, as this may damage the product.

Care and Maintenance of your Furniture

General for Cabinets

- Please periodically check all fittings and re-tighten as necessary.
- To clean your item, please use a damp cloth and wipe clean.
- Never allow any kind of liquid to remain on your furniture. Absorption can cause wood to warp or finishes to de-laminate.
- Please do not place hot items (e.g .hot drinks) directly on to the wood surface.
- Please do not drag and pull your furniture.

MOUNTROSE

Thank you for purchasing your new Mountrose product.
If in the unlikely event you experience any problems with assembly or require any spare screws/fixings for this product.

DO NOT RETURN THIS ITEM!!!!

Please telephone the Mountrose Customer Helpline

0161 406 5040
or email qc@mountrose.co.uk

THIS DOES NOT AFFECT YOUR STATUTORY RIGHTS

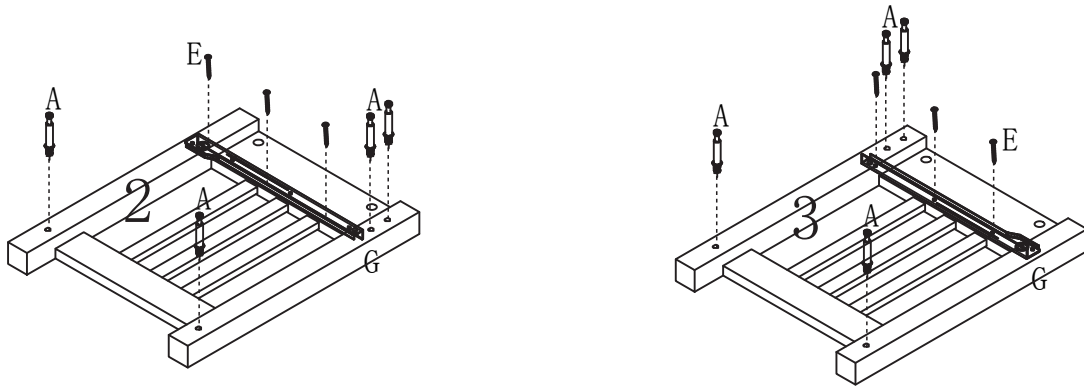
DESCRIPTION

ITEM NAME: ASHFORD 1 DRAWER SIDE TABLE

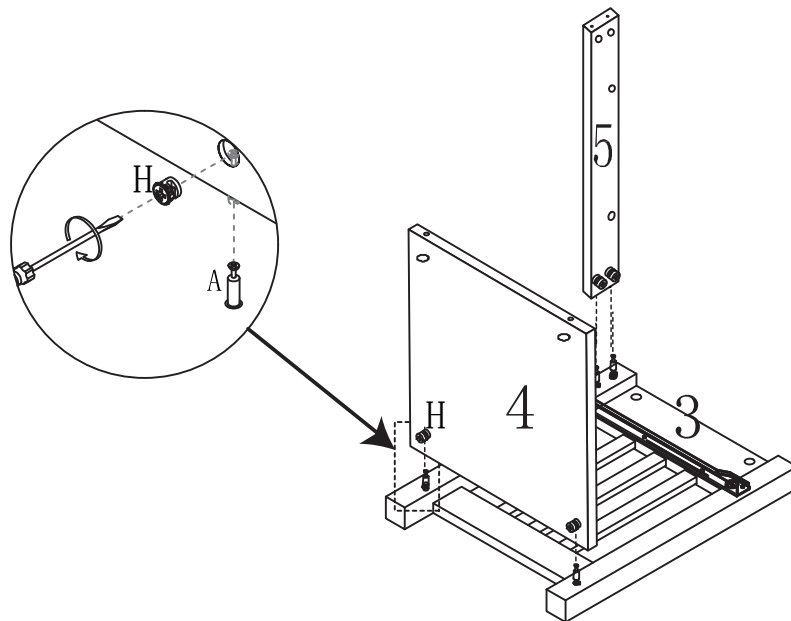
ITEM NO: 39133/19148

Assembly Steps

Step 1



Step 2



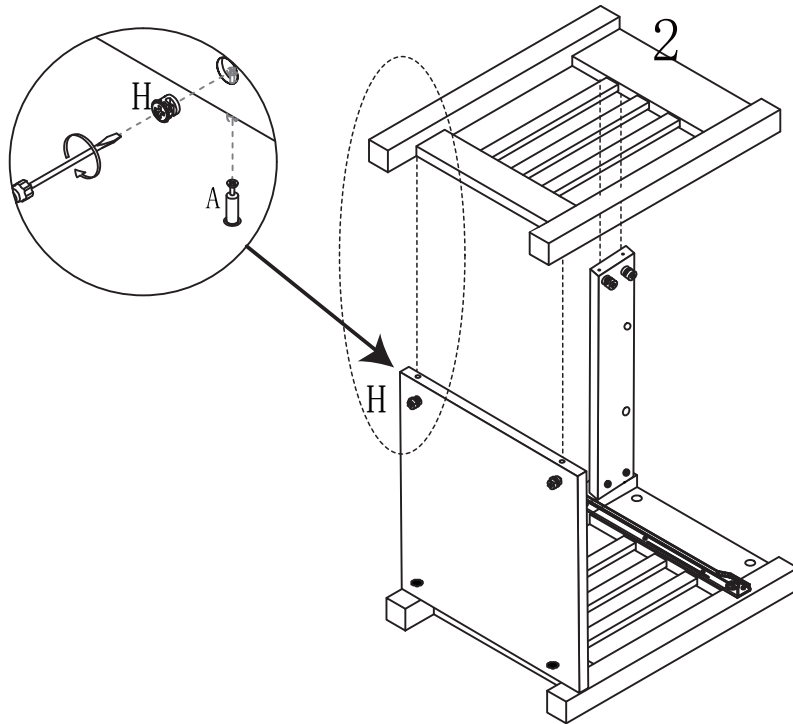
MOUNTROSE

DESCRIPTION

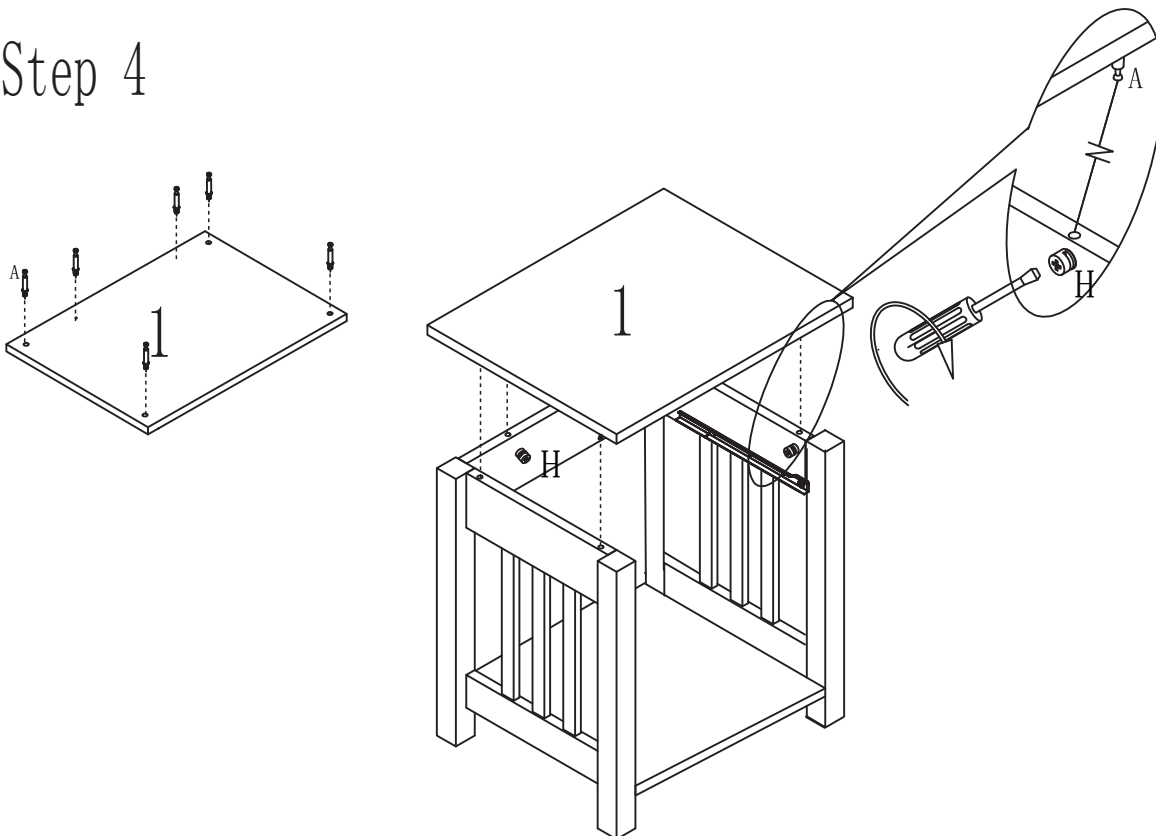
ITEM NAME: ASHFORD 1 DRAWER SIDE TABLE

ITEM NO: 39133/19148

Step 3



Step 4



MOUNTROSE

MOUNTROSE LIMITED, ALAN HOUSE, ASHTON ROAD, BREDBURY, STOCKPORT, SK6 2QN UNITED KINGDOM

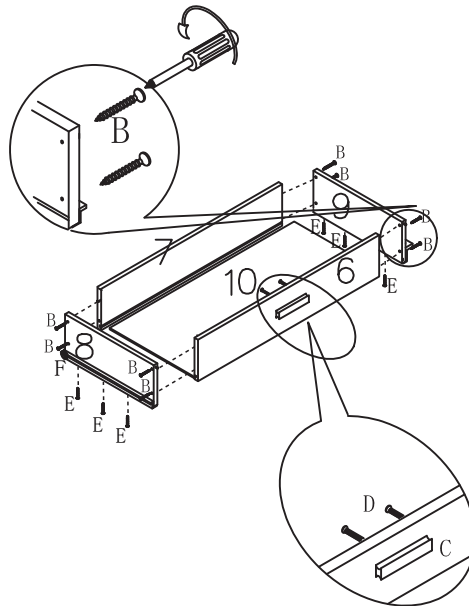
MOUNTROSE

DESCRIPTION

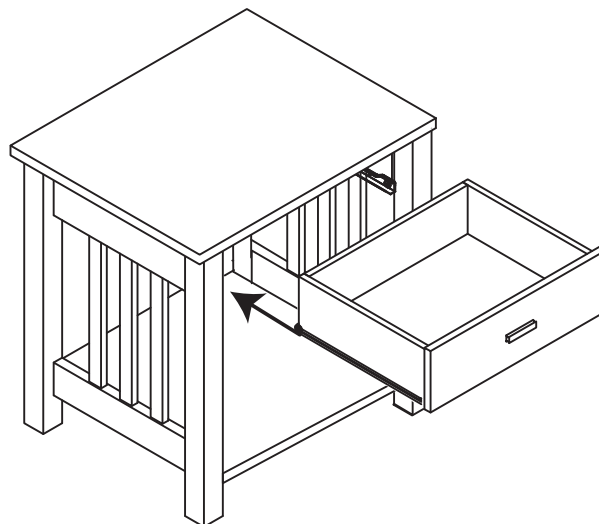
ITEM NAME: ASHFORD 1 DRAWER SIDE TABLE

ITEM NO: 39133/19148

Step 5



Step 6



MOUNTROSE

MOUNTROSE LIMITED. ALAN HOUSE. ASHTON ROAD. BREDBURY. STOCKPORT. SK6 2QN UNITED KINGDOM