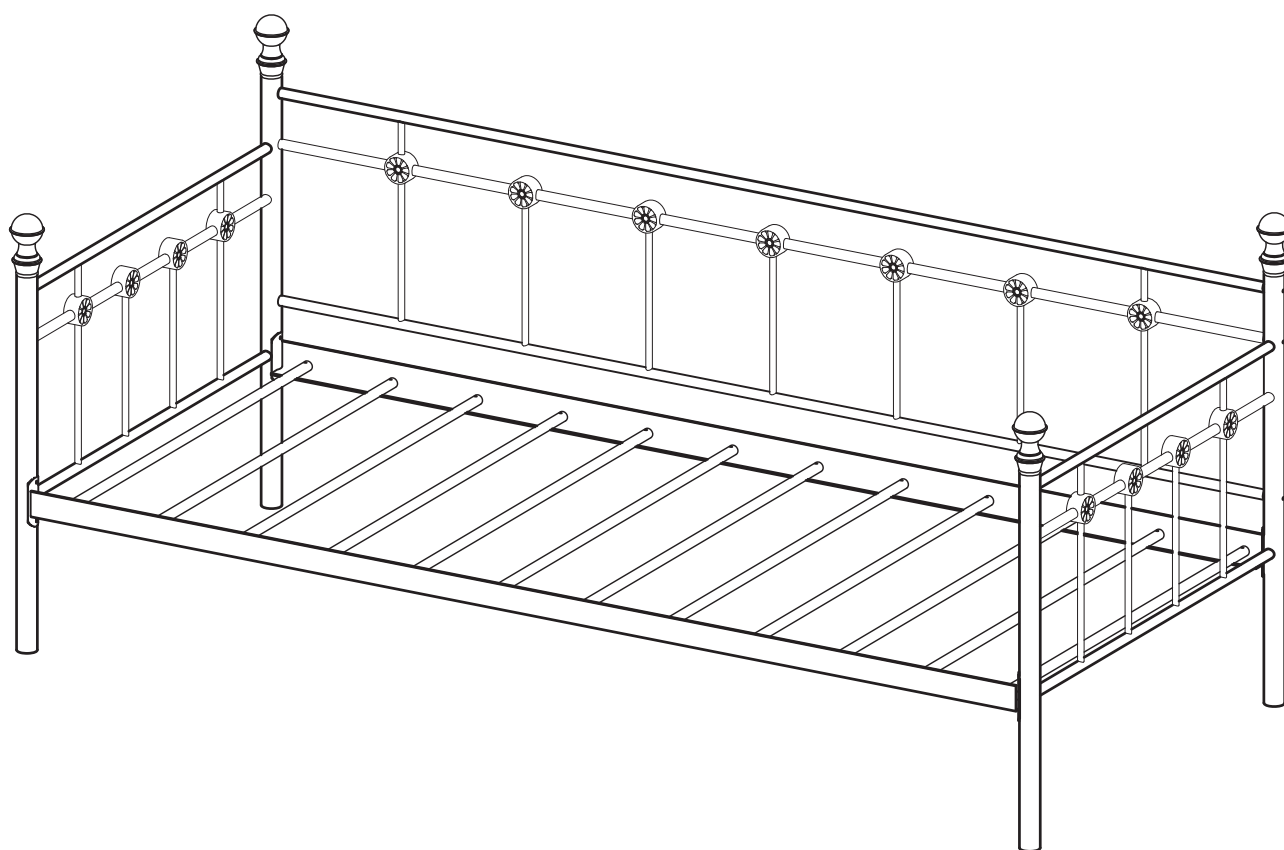


# Abigail 3' Day Bed

Assembly Instructions - Please keep for future reference

659/4778



## Dimensions

Width - 204cm

Depth - 96cm

Height - 95cm

**Important** - Please read these instructions fully before starting assembly

If you need or have damaged or missing parts, call the Customer Helpline: 01799 513466



# Safety and Care Advice

**Important – Please read these instructions fully before starting assembly**

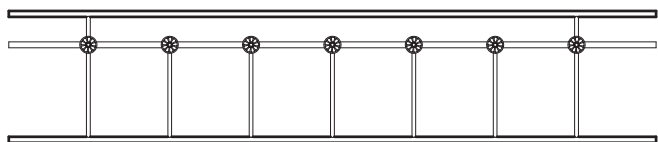
- Check you have all the components and tools listed on pages 2 and 3.
- Remove all fittings from the plastic bags and separate them into their groups.
- Keep children and animals away from the work area, small parts could choke if swallowed.
- Whilst it is not recommended this bed is used by children below the age of 6. Due to the risk of head and limb entrapment, children above this age should be reminded of the dangers.
- Make sure you have enough space to layout the parts before starting.
- Assemble the item as close to its final position (in the same room) as possible.
- Dispose of all packaging carefully and responsibly.
- Place the product on flat and steady surface during use.
- Parts of the assembly will be easier with 2 people.
- Assemble on a soft level surface to avoid damaging the unit or your floor.
- Keep these instructions for future use.
- To ensure an easier assembly, we strongly advise that all fittings are only finger tightened during initial assembly. Only upon completion of the assembly should all fixing points be fully tightened.

## Care and maintenance

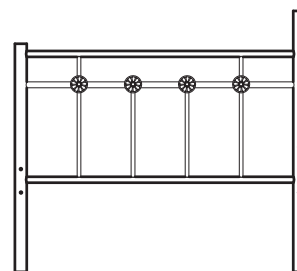
- Clean using a damp cloth or a proprietary domestic furniture polish. Do not use abrasive cleaners.
- This product should not be discarded with household waste. Take to your local authority waste disposal only.
- From time to time check that there are no loose screws on this unit.

# Components - Parts

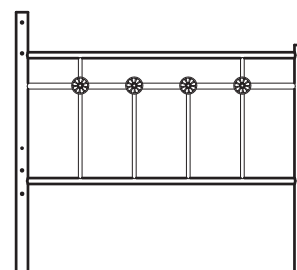
Please check you have all the parts listed below



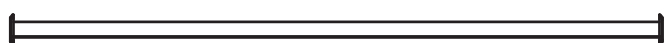
**1** Back panel (193 x 42 cm)



**2** Right hand panel (93 x 87 cm)



**4** Left hand panel (93 x 87 cm)



**3** Side rail x 2 (194 x 10 cm)












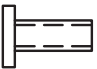


**5** Slat x 12 (91.3 x 1.9 cm)

# Components - Fittings

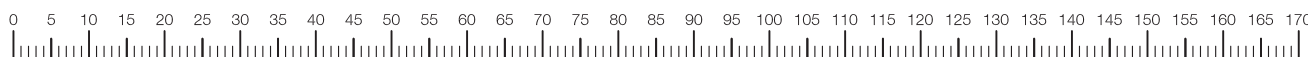
If you have damaged or missing components, call the **Customer Helpline: 01799 513466**

Please check you have all the fittings listed below

**Note:** The quantities below are the correct amount to complete the assembly. In some cases more fittings may be supplied than are required.

<p><b>A</b></p>  <p>Finial x 4</p>	<p><b>B</b></p>  <p>Finial base x 4</p>	<p><b>C</b></p>  <p>M6 50mm stud x 4</p>
<p><b>D</b></p>  <p>M6 55mm Allen screw x 6</p>	<p><b>E</b></p>  <p>M6 25mm Allen Screw x 8</p>	<p><b>F</b></p>  <p>Large plain washer x 24</p>
<p><b>G</b></p>  <p>Small plain washer x 32</p>	<p><b>H</b></p>  <p>Rubber washer x 8</p>	<p><b>J</b></p>  <p>Spring washer x 8</p>
<p><b>K</b></p>  <p>Nut x 24</p>	<p><b>L</b></p>  <p>M6 18mm Allen screw x 24</p>	<p><b>M</b></p>  <p>Allen key x 2</p>

**Ruler** - Use this ruler to help correctly identify the screws



# Assembly Instructions

## Step 1

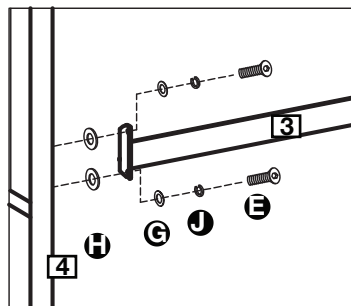
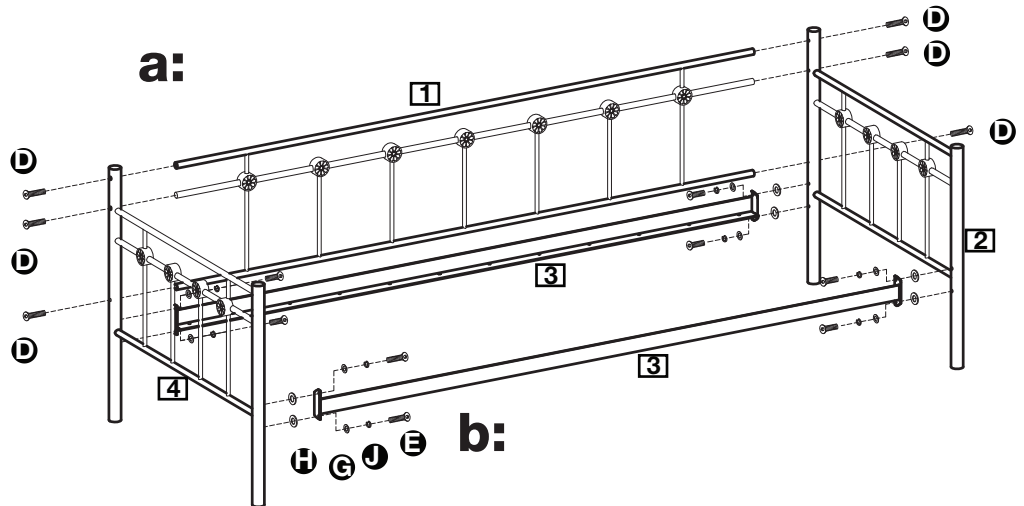
### Attaching bed frame

Two people will be needed here.

**a:** With help, assemble back panel **1** in between left and right hand side frames **2** and **4** using fixings **D**.

**b:** Assemble side rails **3** in between side frames. Secure using fixings **E**, **G**, **H** and **J**.

**Note:** Do not fully tighten the fixings!

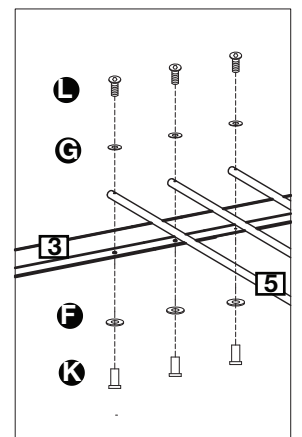
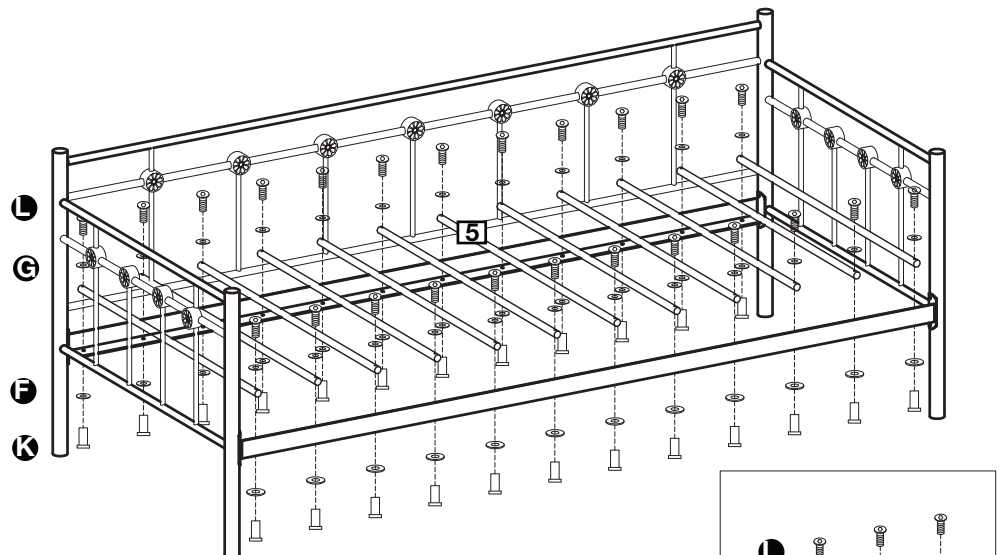


## Step 2

### Attaching slats

Assemble slats **5** to side rails **3** using fixings **F**, **G**, **K** and **L**.

Fully tighten all fixings from previous steps.



# Assembly Instructions

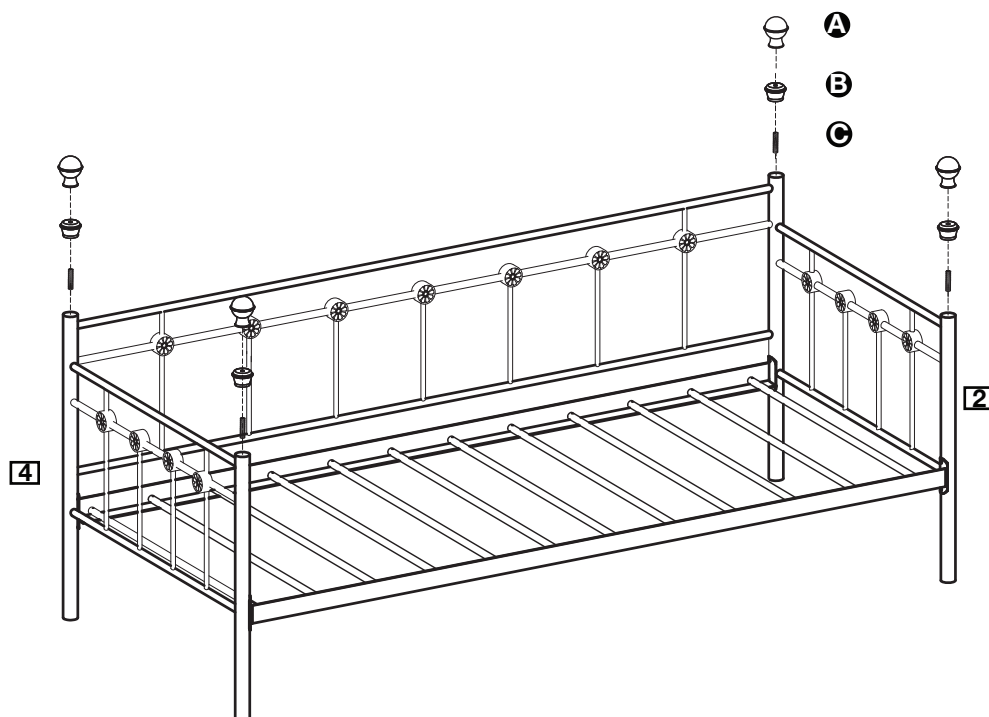
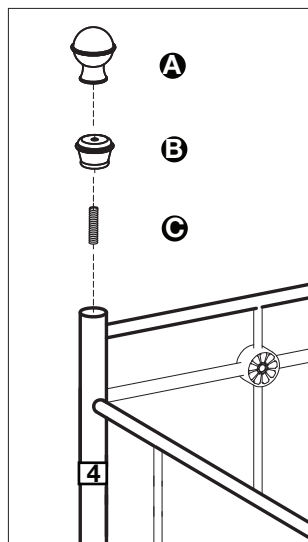
## Step 3

### Attaching finials

Screw studs **C** into the tops of side frames **2** and **4**.

Locate finial bases **B** over the studs.

Screw finials **A** onto the studs.



**Assembly is complete.**

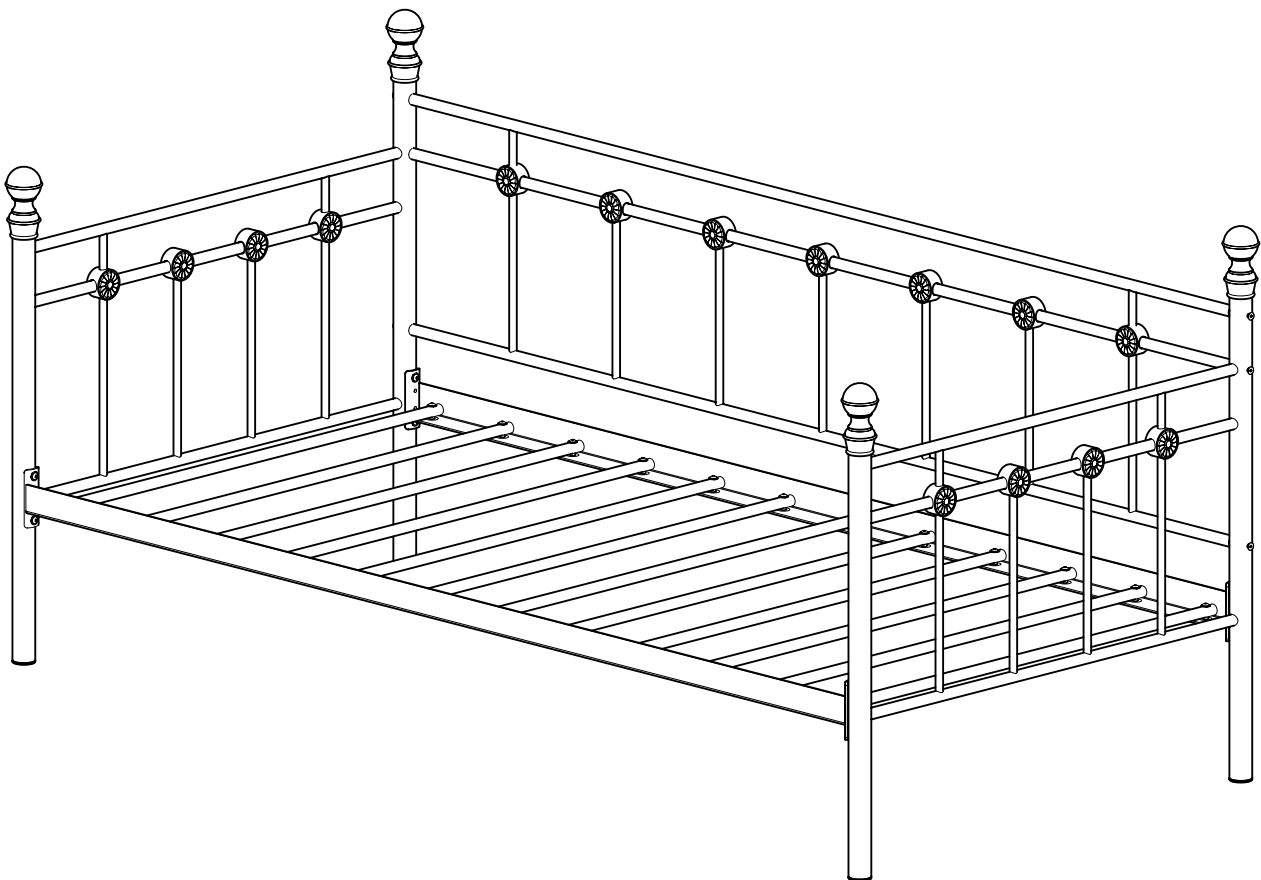
If you need help for have damaged or missing parts, call the **Customer helpline:01799 513466**  
Justwise Group Ltd., 6 The Shires. Shire Hill Industrial Estate. Saffron Walden. Essex. CB11 3AP

# Abigail 3' Day Bed

Assembly Instructions - Please keep for future reference

659/4778

695/5221



## Dimensions

Width - 203.5cm

Depth - 96cm

Height - 95cm

**Important - Please read these instructions fully before starting assembly**

If you need help or have damaged or missing parts, call the **Customer Helpline: 08456 400800**



# Safety and Care Advice

**Important – Please read these instructions fully before starting assembly**

- Check you have all the components and tools listed on pages 2 and 3.
- Remove all fittings from the plastic bags and separate them into their groups.
- Keep children and animals away from the work area, small parts could choke if swallowed.
- Whilst it is not recommended this bed is used by children below the age of 6. Due to the risk of head and limb entrapment, children above this age should be reminded of the dangers.
- Make sure you have enough space to layout the parts before starting.
- Assemble the item as close to its final position (in the same room) as possible.
- Dispose of all packaging carefully and responsibly.
- Place the product on flat and steady surface during use.
- Parts of the assembly will be easier with 2 people.
- Assemble on a soft level surface to avoid damaging the unit or your floor.
- Keep these instructions for future use.
- To ensure an easier assembly, we strongly advise that all fittings are only finger tightened during initial assembly. Only upon completion of the assembly should all fixing points be fully tightened.

## Care and maintenance

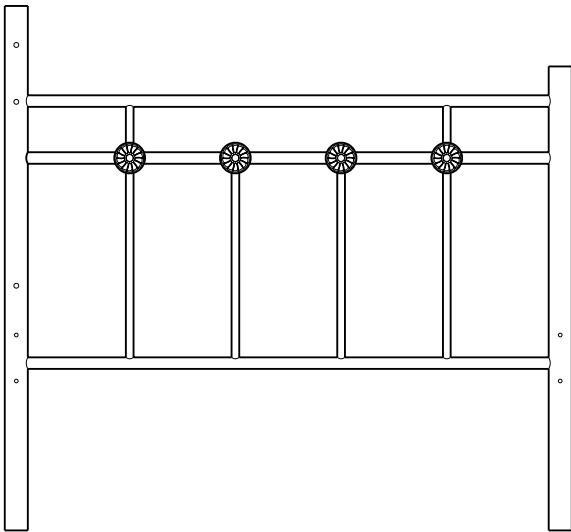
- Clean using a damp cloth or a proprietary domestic furniture polish. Do not use abrasive cleaners.
- This product should not be discarded with household waste. Take to your local authority waste disposal only.
- From time to time check that there are no loose screws on this unit.



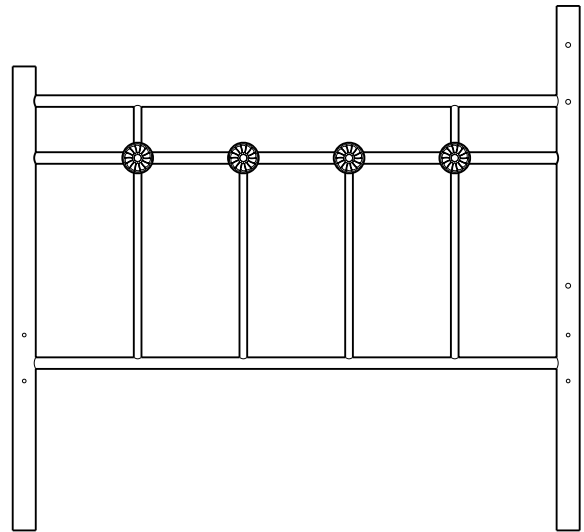
# Components - Parts

If you have damaged or missing components, call the **Customer Helpline: 08456 400800**

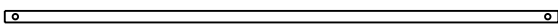
Please check you have all the parts listed below



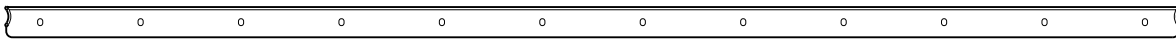
**1** Side frame (Left) x 1 (93.8 x 86.7cm)



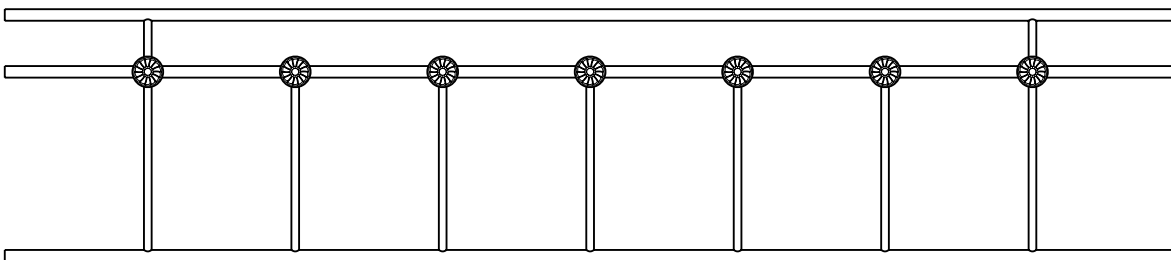
**2** Side frame (Right) x 1 (93.8 x 86.7cm)



**3** Slat x 12 (91.5 x 1.9cm)



**4** Side rail x 2 (194 x 5cm)



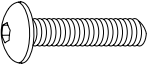
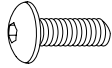
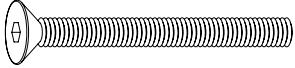
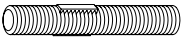

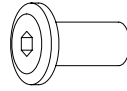

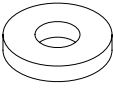


**5** Back panel (193.5 x 42cm)

# Components - Fittings

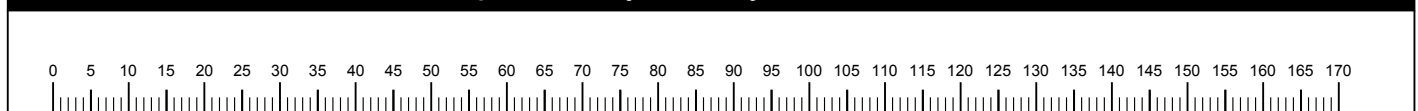
If you have damaged or missing components, call the **Customer Helpline: 08456 400800**

Please check you have all the fittings listed below

**Note:** The quantities below are the correct amount to complete the assembly. In some cases more fittings may be supplied than are required.

<p><b>A</b> </p> <p>25mm Allen screw x 8</p>	<p><b>B</b> </p> <p>12mm Allen screw (nylon coated) x 24</p>	<p><b>C</b> </p> <p>55mm Allen screw x 6</p>
<p><b>D</b> </p> <p>Stud x 4</p>	<p><b>E</b> </p> <p>Washer-Ø16 x 8</p>	<p><b>F</b> </p> <p>Nut x 24</p>
<p><b>G</b> </p> <p>Finial base x 4</p>	<p><b>H</b> </p> <p>Rubber washer-Ø24 x 8</p>	<p><b>J</b> </p> <p>Allen key x 2</p>
<p><b>K</b> </p> <p>Finial x 4</p>		

**Ruler** - Use this ruler to help correctly identify the screws



# Assembly Instructions

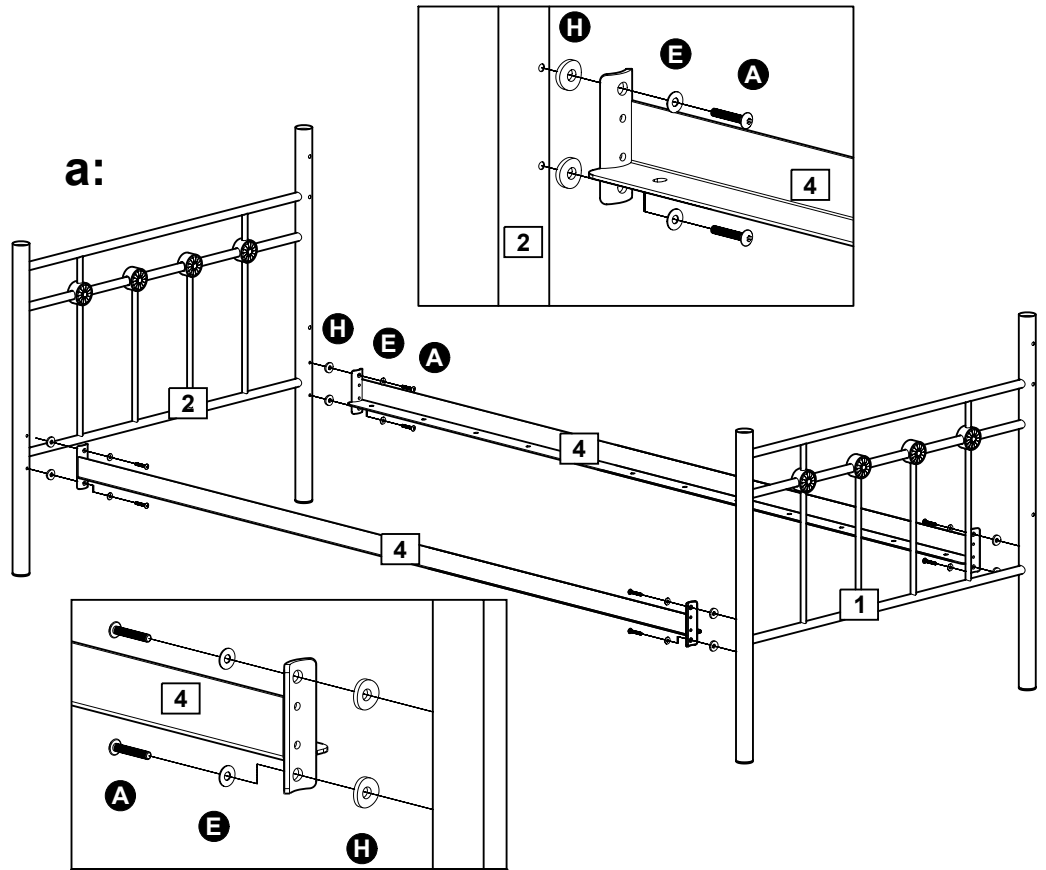
## Step 1

### Attaching bed frame

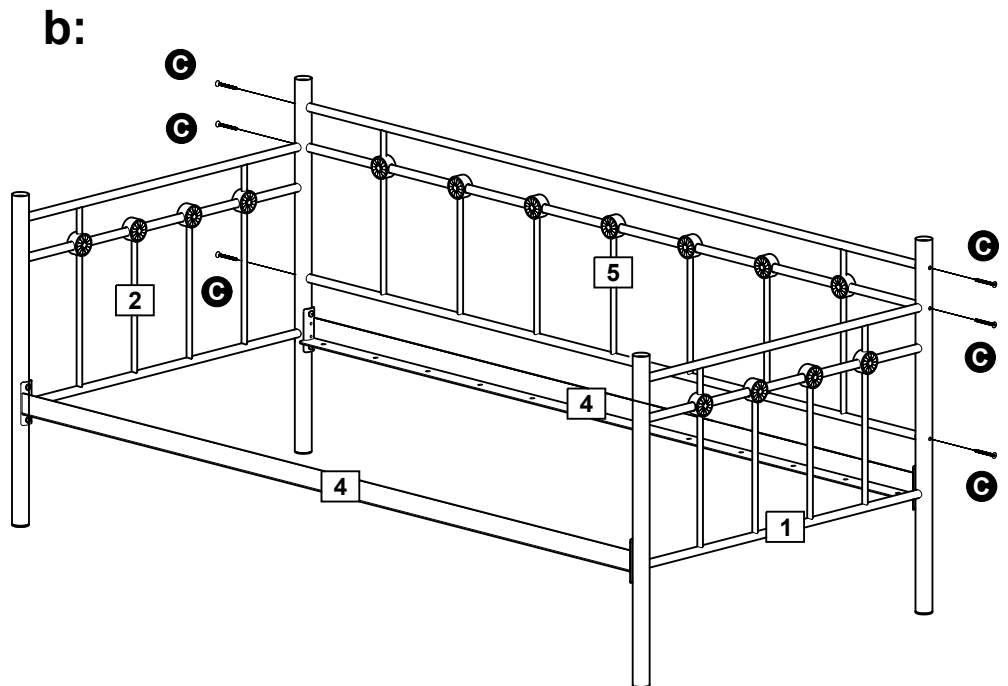
Two people will be needed here.

**a:** With help, assemble side rails **4** in between side frames **1** and **2** using fixings **A**, **E** and **H**.

**Note:** Do not fully tighten the fixings!



**b:** Assemble back panel **5** in between the side frames using fixings **C**.



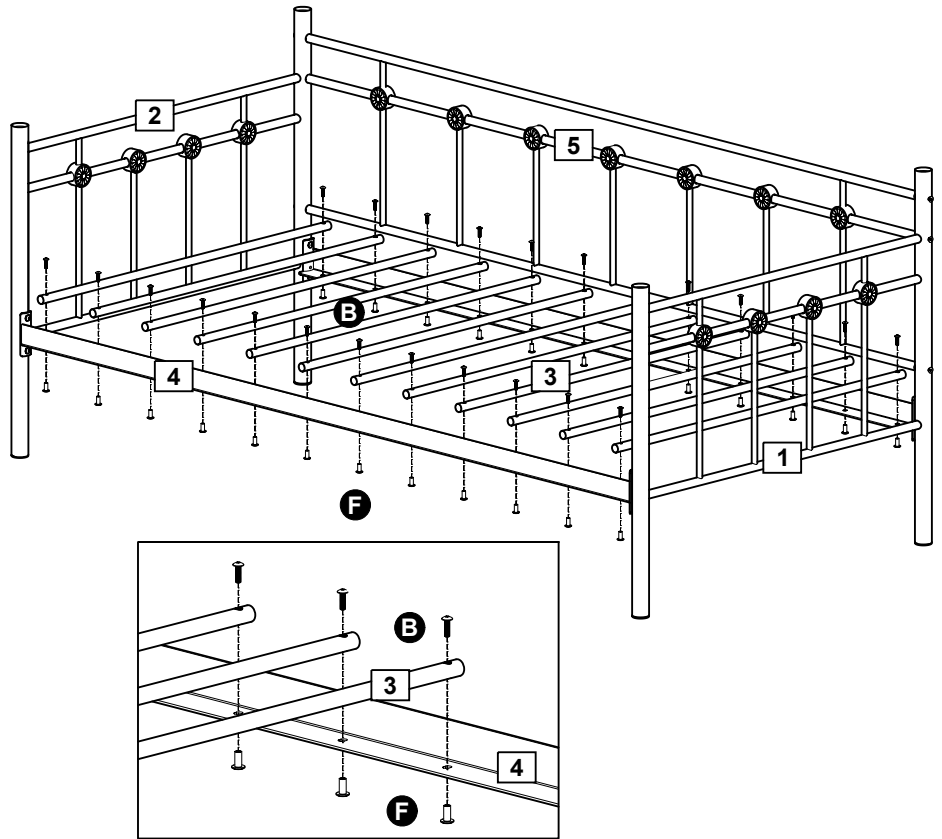
# Assembly Instructions

## Step 2

### Attaching slats

Assemble slats **3** to side rails **4** using fixings **F** and **B**.

Fully tighten all fixings from previous steps.



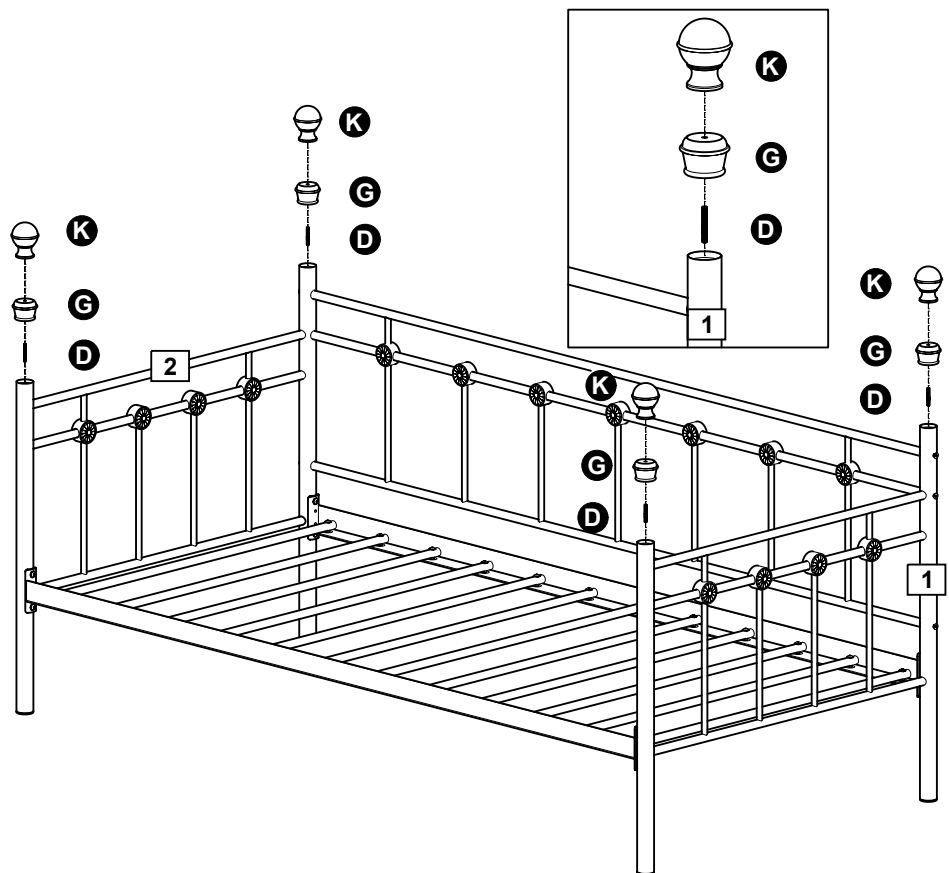
## Step 3

### Attaching finials

Screw studs **D** into the tops of side frames **1** and **2**.

Locate finial bases **G** over the studs.

Screw finials **K** onto the studs.



**Assembly is complete.**

If you need help or have damaged or missing parts, call the **Customer Helpline: 08456 400800**  
Justwise Group LTD., 6 The Shires, Shire Hill Industrial Estate, Saffron Walden Essex. CB11 3AP