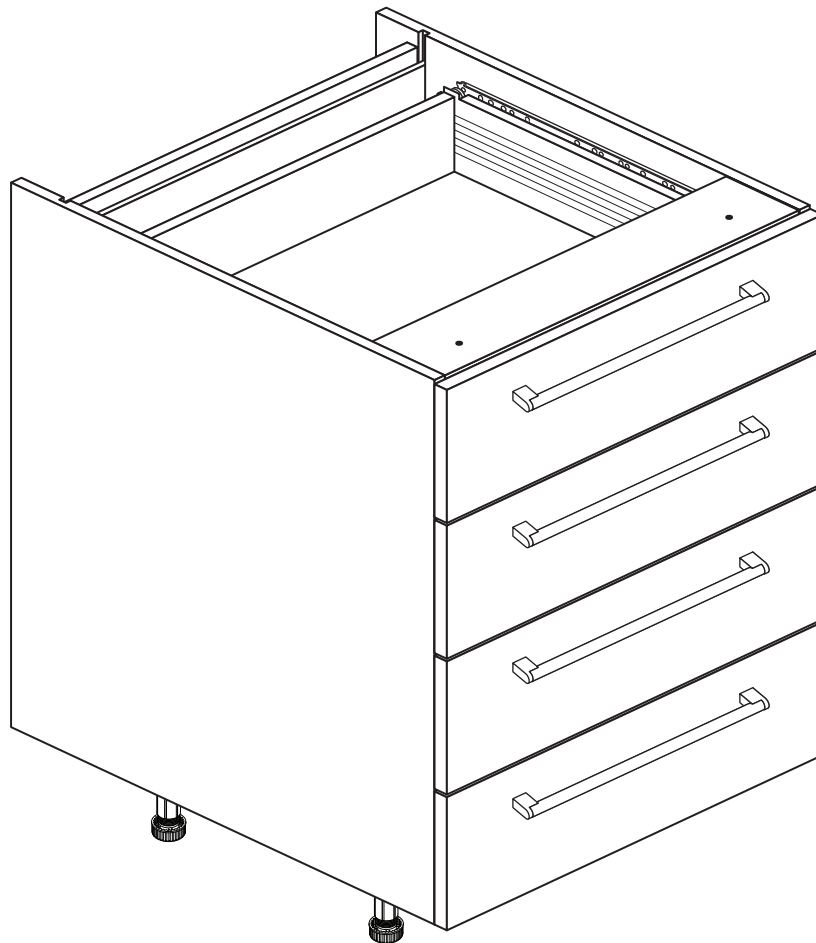


Valencia - 4 Drawer Cabinet

Assembly Instructions - Please keep for future reference

hygena

Cabinet	656/5848
Black Drawer Pack	633/2909
Cream Drawer Pack	633/2734
Oak Drawer Pack	205/4528
White Gloss Drawer Pack	633/2820
White HN Drawer Pack	204/6718



Dimensions

Width - 50cm

Depth - 59cm

Height - 87cm



**MADE IN
BRITAIN**

Important - Please read these instructions fully before starting assembly

If you need help or have damaged or missing parts, call the **Customer Helpline: 08456 400800**



Safety and Care Advice

Important - Please read these instructions fully before starting assembly

- **Warning:** This unit weighs approximately 16.5kgs. Please lift with care.

- Check you have all the components and tools listed on pages 2, 3 and 4.

- Remove all fittings from the plastic bags and separate them into their groups.

- Keep children and animals away from the work area, small parts could choke if swallowed.

- Parts of the assembly will be easier with 2 people.

- Make sure you have enough space to layout the parts before starting.

- Do not stand or put weight on the product, this could cause damage.

- Assemble the item as close to its final position (in the same room) as possible.

- Assemble on a soft level surface to avoid damaging the unit or your floor (use opened out unit carton).



- We do not recommend the use of power drill/drivers **for inserting screws**, as this could damage the unit. Only use hand screwdrivers.

- **Safety note:** If there is any chance of this unit being pulled over by children etc. it is recommended that the unit is secured to a wall using suitable fixings (not supplied).

- Dispose of all packaging carefully and responsibly.

Care and maintenance

- Only clean using a damp cloth and mild detergent, do not use bleach or abrasive cleaners.

- From time to time check that there are no loose screws on this unit.

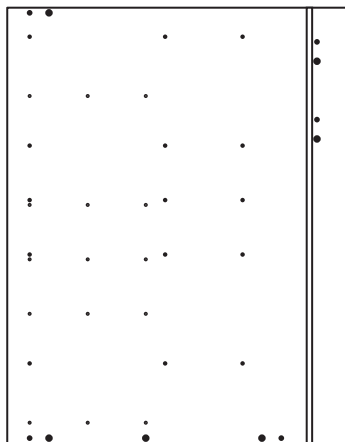
- This product should not be discarded with household waste. Take to your local authority waste disposal centre.

Note: If required the next page can be cut out and used as reference throughout the assembly. Keep this page with these instructions for future reference.

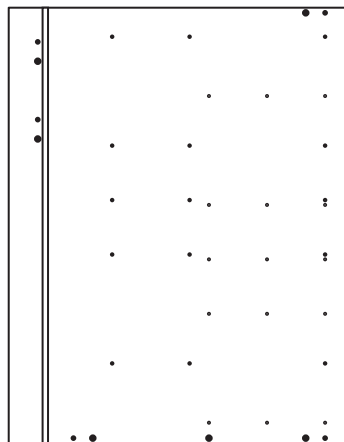
Components - Panels

If you have damaged or missing components, call the **Customer Helpline: 08456 400800** quoting the reference numbers below

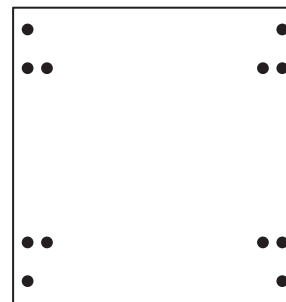
Please check you have all the panels listed below



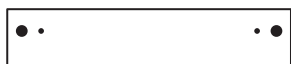
1 Left Side (DPF087A)
(720 x 560mm)



2 Right Side (DPF088A)
(720 x 560mm)



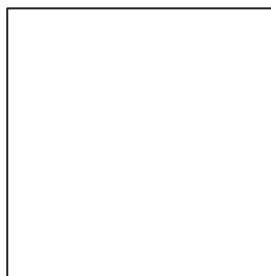
3 Base (DPF074A)
(469 x 494mm)



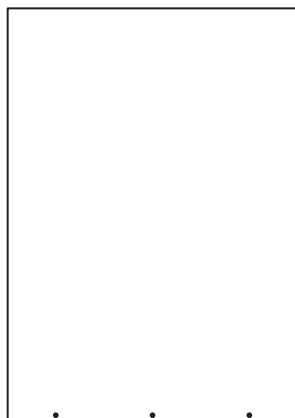
4 Cross Rail (DPF076A)
(469 x 96mm) x 2



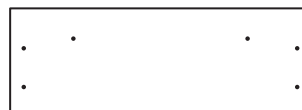
5 Drawer Back (DPF130A)
(439 x 98mm) x 4



6 Drawer Base (DPF129A)
(439 x 448mm) x 4



7 Back (DPF077A)
(479 x 680mm)



8 Drawer Front (DPF151B)
(497 x 176mm) x 4


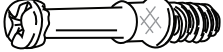




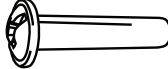

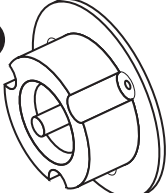
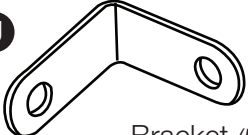

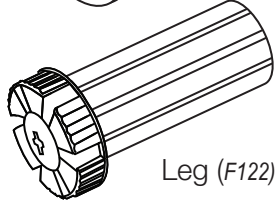
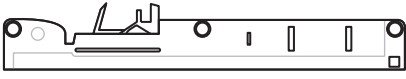

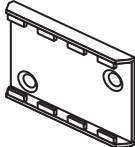
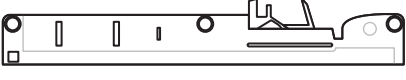
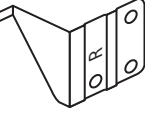



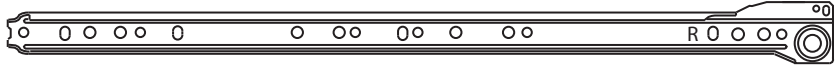
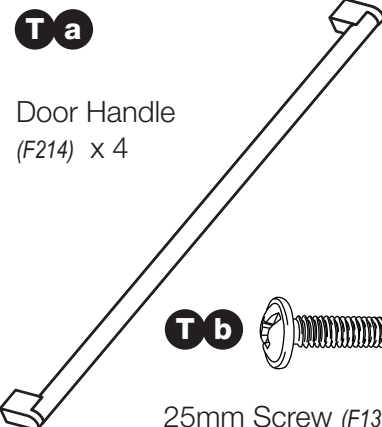
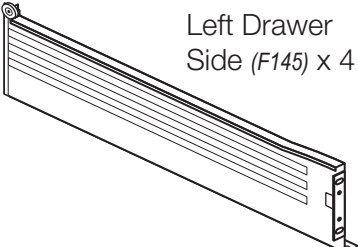
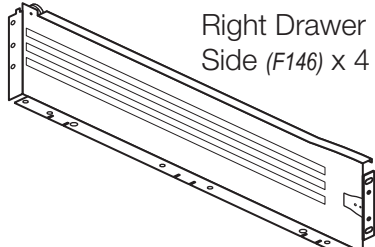



Components - Fittings

If you have damaged or missing components, call the
Customer Helpline: 08456 400800 quoting the reference
 numbers below

Please check you have all the fittings listed below

Note: The quantities below are the correct amount to complete the assembly. In some cases more fittings may be supplied than are required.

<p>A </p> <p>Wooden dowel (F22) x 10</p>	<p>B </p> <p>Metal dowel (F901) x 8</p>	<p>C </p> <p>Large locking nut (F900) x 8</p>
<p>D </p> <p>13mm Screw (F63) x 72</p>	<p>E </p> <p>13mm Screw (F79) x 6</p>	<p>F </p> <p>25mm Screw (F50) x 5</p>
<p>G </p> <p>Connecting Sleeve (F432) x 2</p>	<p>H </p> <p>19mm Connecting bolt (F461) x 2</p>	<p>l a </p> <p>Leg Socket (F120) x 4</p>
<p>J </p> <p>Bracket (F945) x 4</p>	<p>K </p> <p>13mm Screw (F52) x 48</p>	<p>l b </p> <p>Leg (F122) x 4</p>
<p>L </p> <p>Left Soft Close Unit (F141) x 4</p>	<p>M </p> <p>Left Soft Close Catch (F143) x 4</p>	<p>l c </p> <p>Leg Bracket (F127) x 2</p>
<p>N </p> <p>Right Soft Close Unit (F142) x 4</p>	<p>O </p> <p>Right Soft Close Catch (F144) x 4</p>	<p>l d </p> <p>Leg Clip (F128) x 2</p>
<p>P </p> <p>Left Runner (F139) x 4</p>		<p>l e </p> <p>16mm Screw (F129) x 16</p>
<p>Q </p> <p>Right Runner (F140) x 4</p>		<p>T a </p> <p>Door Handle (F214) x 4</p>
<p>R </p> <p>Left Drawer Side (F145) x 4</p>	<p>S </p> <p>Right Drawer Side (F146) x 4</p>	<p>T b </p> <p>25mm Screw (F132) x 8</p>

Assembly Instructions

If you have damaged or missing components, call the
Customer Helpline: 08456 400800 quoting the reference
numbers below

Step 1

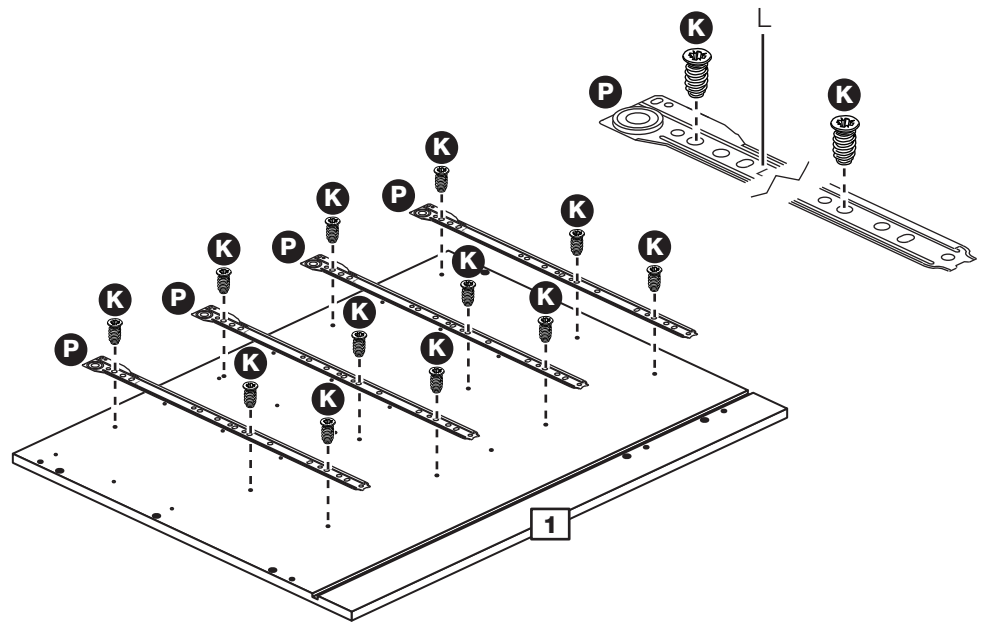
Fit the left runners to the left side

Fit the 4 left runners **P** marked 'L' to the left side **1**.

The 1st screw **K** uses the 2nd hole in from the front of the runner.

The 2nd screw **K** uses the 4th hole in from the back of the runner.

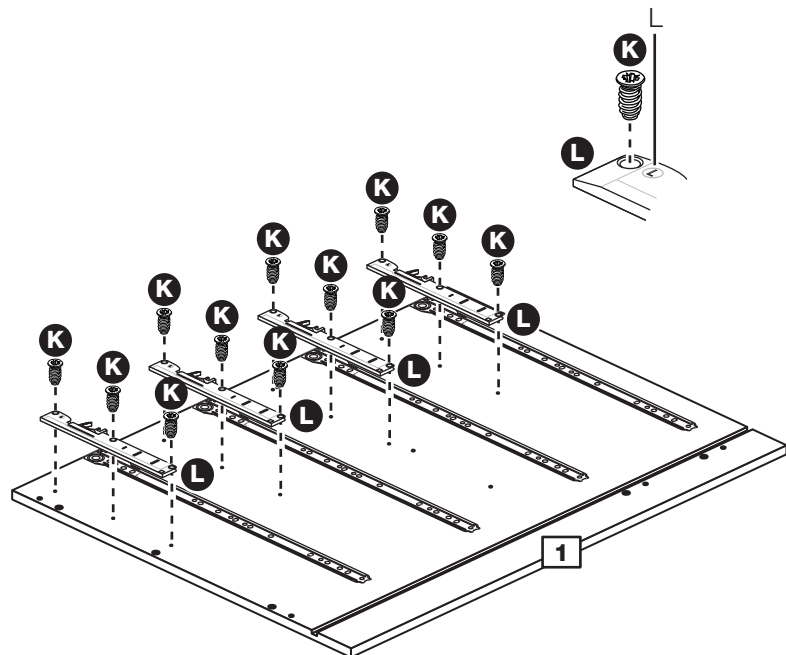
The 3rd screw **K** uses the 8th hole in from the back of the runner.



Step 2

Fit left soft close units to the left side

Fit the 4 left soft close units **L** marked 'L' to the left side **1** using 3 screws **K**.



Assembly Instructions

Step 3

Prepare the left side

Screw 4 metal dowels **B** into the holes shown on the left side **1**.

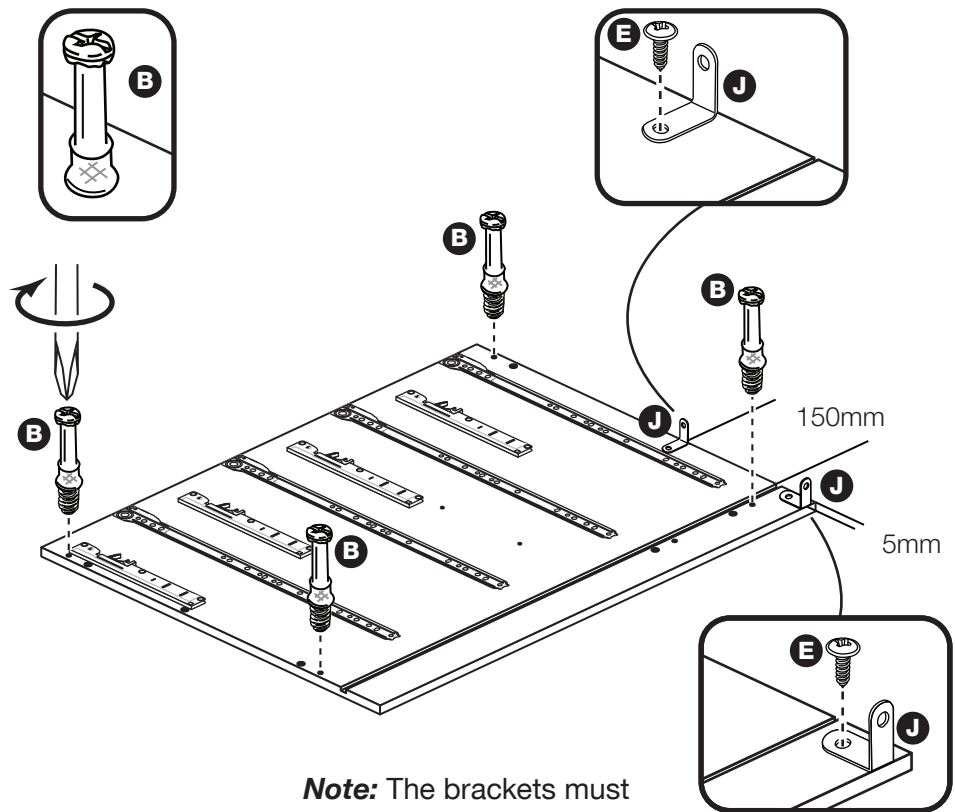
Note: Tighten metal dowels up fully against the panels.

Fit a bracket **J** flush to the top edge of the left side **1**, about 150mm in from the groove, see diagram.

Secure the bracket **J** using screw **E**.

Fit another bracket **J** flush to the back edge of the left side **1**, about 5mm down from the top edge, see diagram.

Secure the bracket **J** using screw **E**.



Note: The brackets must be flush with the top/back edge of the panel.

Step 4

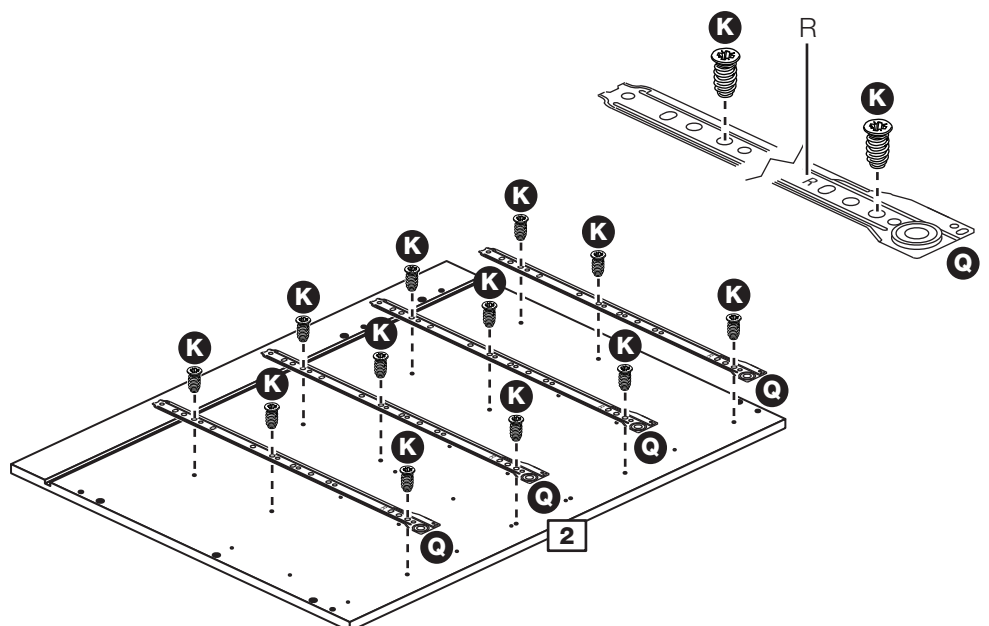
Fit the right runners to the right side

Fit the 4 right runners **Q** marked 'R' to the right side **2**.

The 1st screw **K** uses the 2nd hole in from the front of the runner.

The 2nd screw **K** uses the 4th hole in from the back of the runner.

The 3rd screw **K** uses the 8th hole in from the back of the runner.

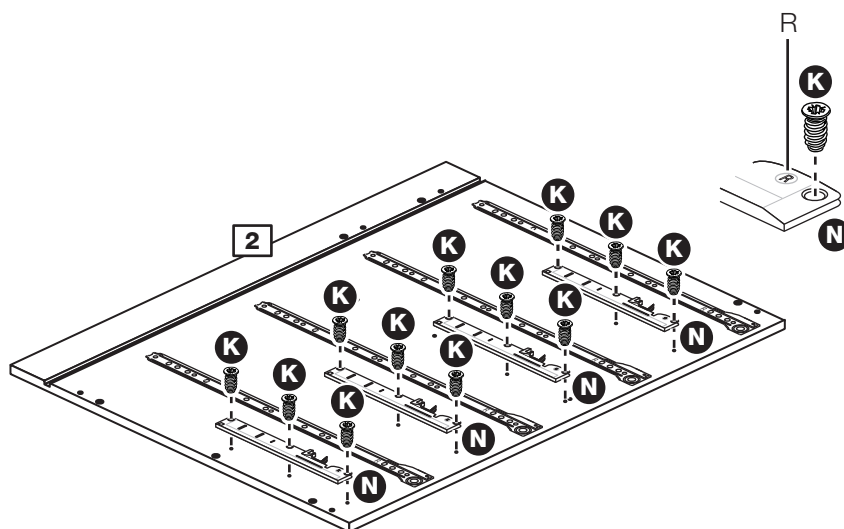


Assembly Instructions

Step 5

Fit soft close units to the right side

Fit the 4 right soft close units **N** marked 'R' to the right side **2** using 3 screws **K**.



Step 6

Prepare the right side

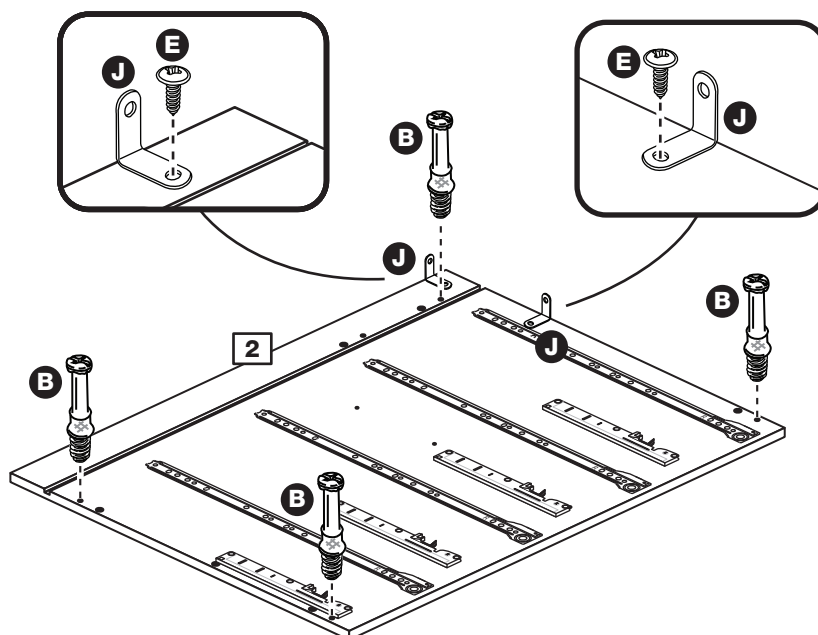
Screw 4 metal dowels **B** into the holes shown on the right side **2**.

Fit a bracket **J** flush to the top edge of the right side **2**, about 150mm in from the groove, see diagram.

Secure the bracket **J** using screw **E**.

Fit another bracket **J** flush to the back edge of the right side **2**, about 5mm down from the top edge, see diagram.

Secure the bracket **J** using screw **E**.



Assembly Instructions

Step 7

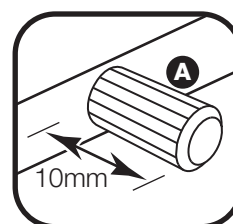
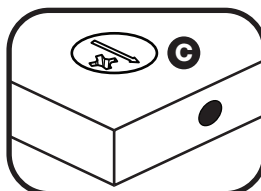
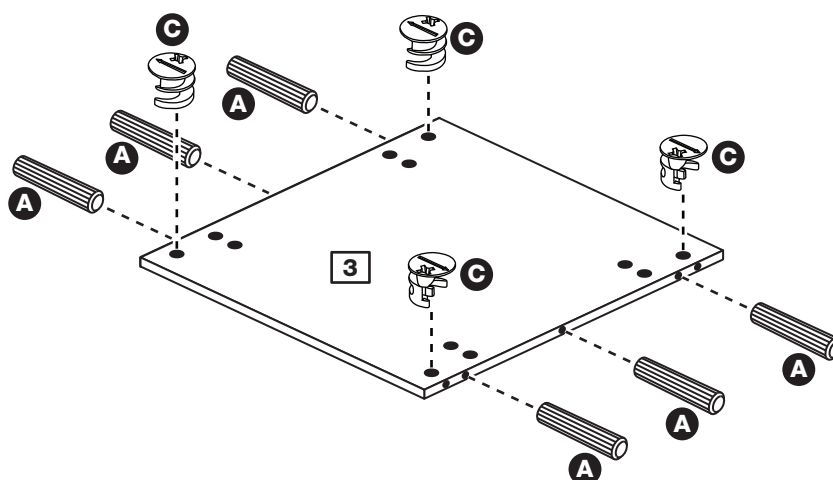
Prepare the base

Insert 4 large locking nuts **C** into the base **3** as shown.

Note: Arrow on locking nut **must** point towards hole in edge of panel.

Tap 6 wooden dowels **A** into the base **3** as shown.

Note: Wooden dowels **must not** stick out from the edge by more than 10mm or they may damage other panels.



Step 8

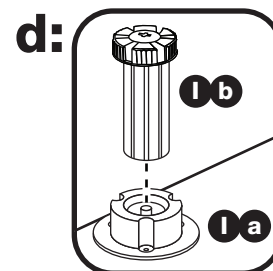
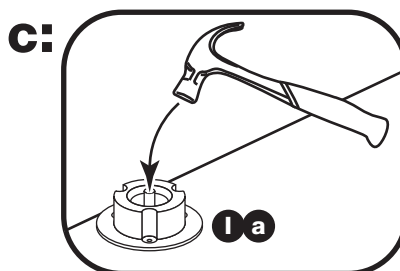
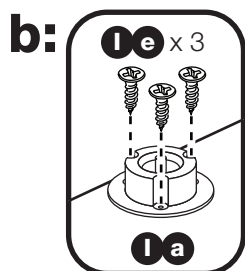
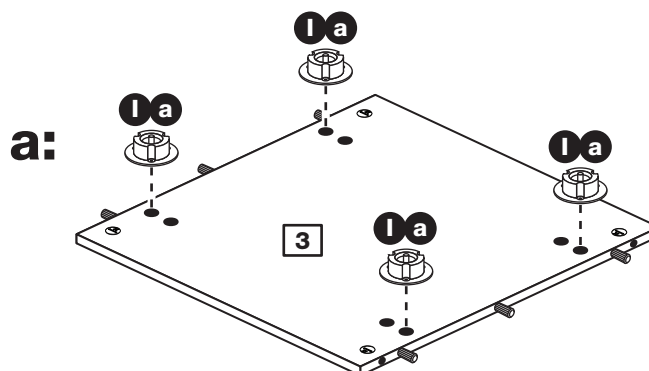
Fit the legs to the base

a: Push the leg sockets **1a** into the holes in the base **3** as shown.

b: Secure each leg socket **1a** with 3 screws **1e**.

c: Tap in the centre plug on each leg socket **1a**.

d: Push the leg **1b** into the leg socket **1a**.



Assembly Instructions

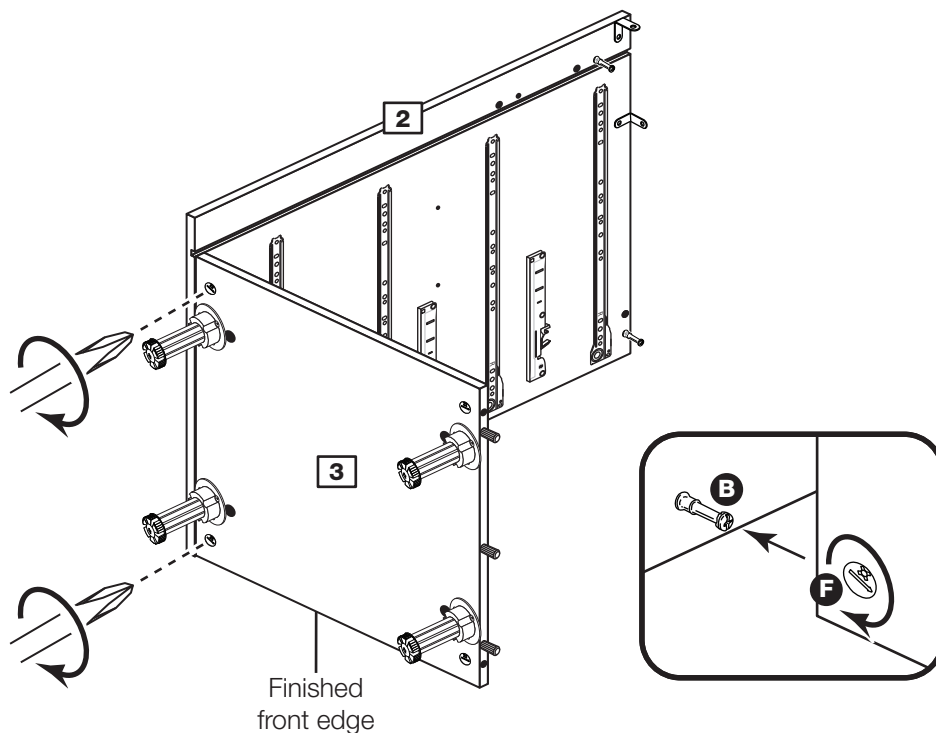
Step 9

Join the right side and base

Push the base **3** onto the right side **2**.

Use a screwdriver to tighten the 2 large locking nuts **C** fitted to the base **3**.

Note: Turn the large locking nuts **C** as far as they will go - more than 1/2 a turn.

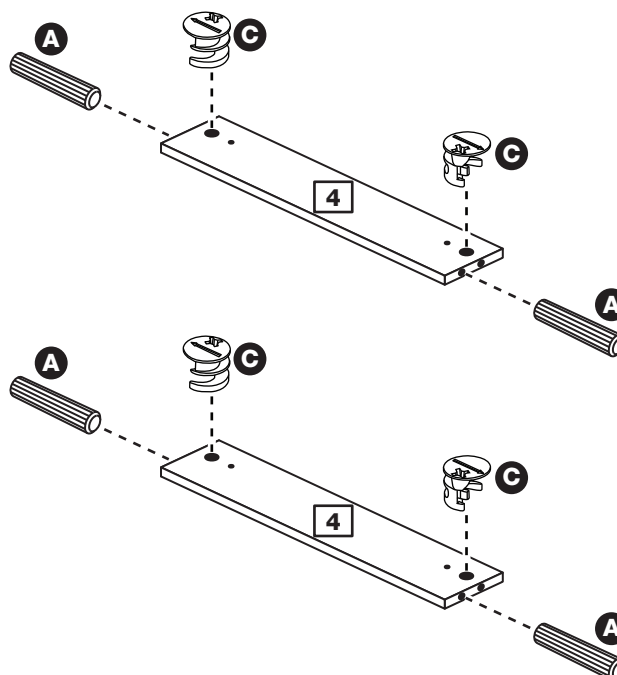


Step 10

Prepare the 2 cross rails

Insert 2 large locking nuts **C** into the cross rails **4** as shown.

Tap 2 wooden dowels **A** into the cross rails **4** as shown.



Assembly Instructions

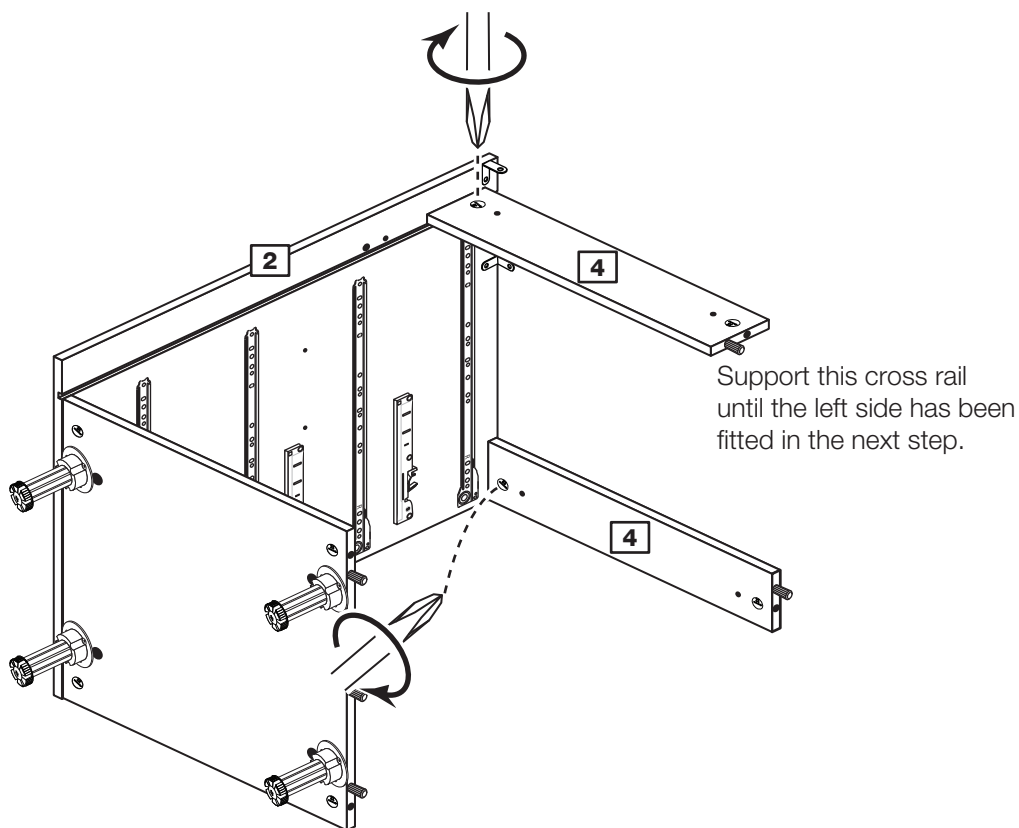
Step 11

Fit the 2 cross rails

Push each cross rail **4** onto the right side **2**.

Use a screwdriver to tighten the large locking nut **C** fitted to each cross rail **4**.

Note: Turn the large locking nuts **C** as far as they will go - more than 1/2 a turn.



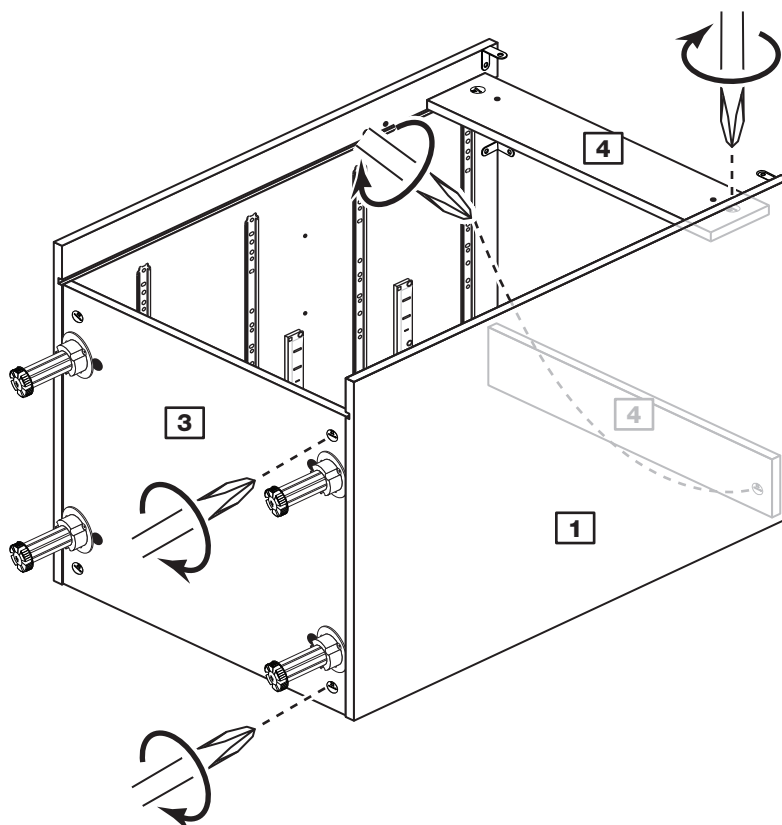
Step 12

Fit the left side

Push the left side **1** onto the assembly.

Use a screwdriver to tighten the large locking nut **C** fitted to the 2 cross rails **4** and the 2 fitted to the base **3**.

Note: Turn the large locking nuts **C** as far as they will go - more than 1/2 a turn.

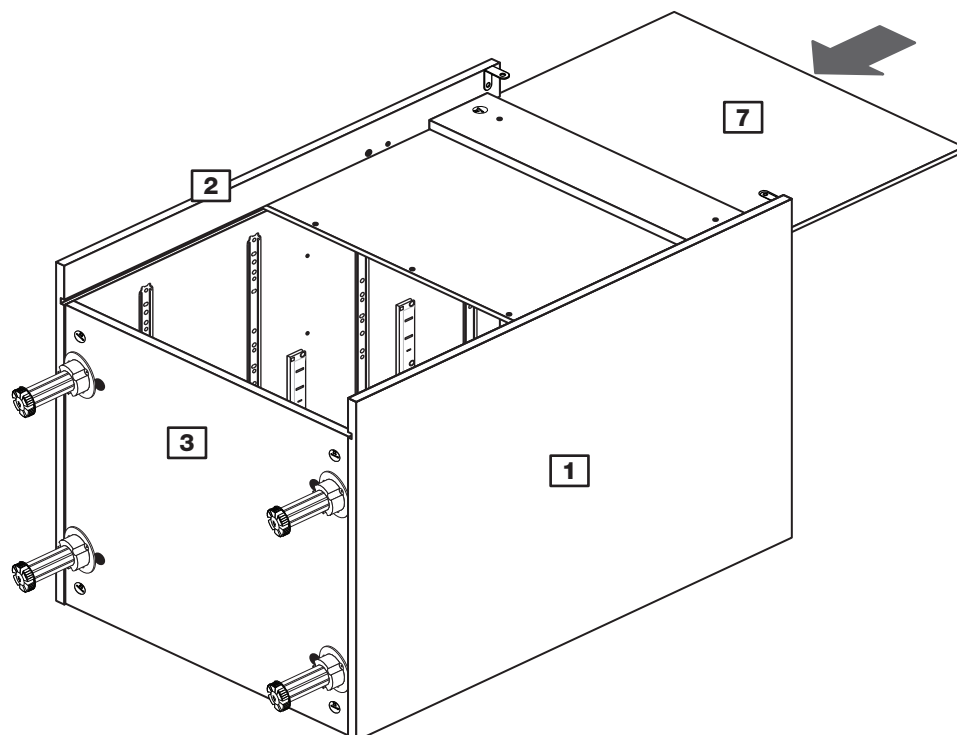


Assembly Instructions

Step 13

Fit the back

Slide the back **7** along the grooves in the side panels **1** and **2**.



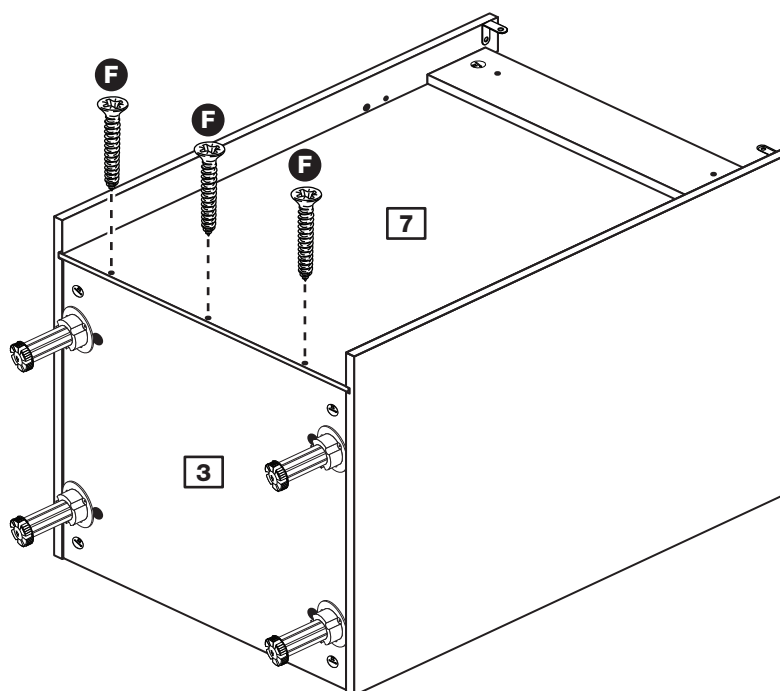
Step 14

Secure the back

The bottom edge of the back **7** must be flush with the bottom edge of the base **3**.

Secure the back **7** to the back edge of the base **3** using 3 screws **F**.

Stand the unit up for the next stage.



Assembly Instructions

Step 15

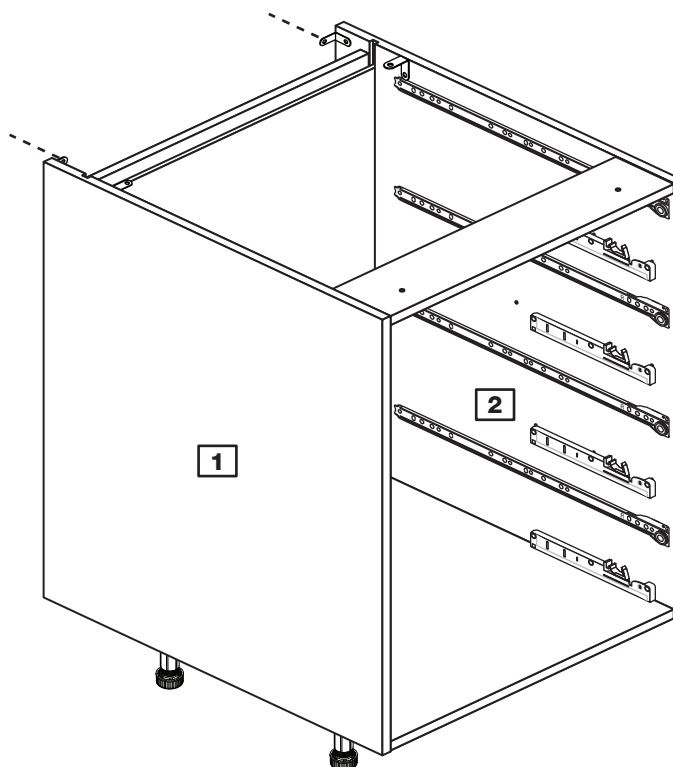
Secure the unit to the wall

Using the brackets **F** fitted to the back edge of the sides **1** and **2** screw the unit to the wall.

Fixings are not supplied as they will need to suit the wall type, and the length of screw will depend on the distance of the back of the Unit to the wall.



Warning: Take care when drilling the wall that you do not drill into any pipes, wires etc. If in doubt, consult an expert.



Step 16

Joining units together

Fittings have been supplied so you are able to join units together.

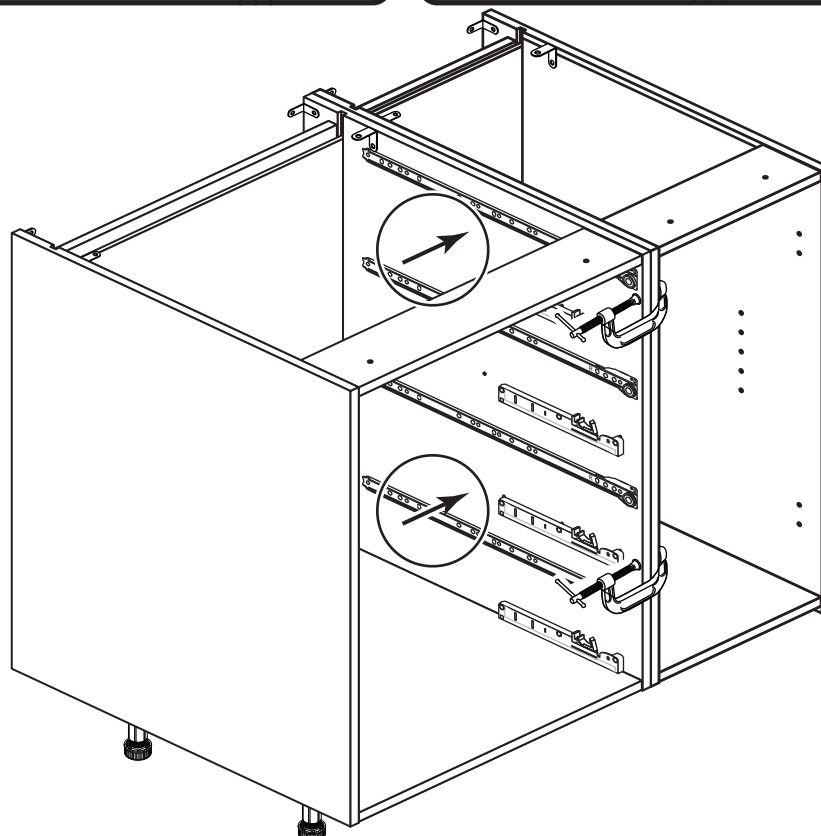
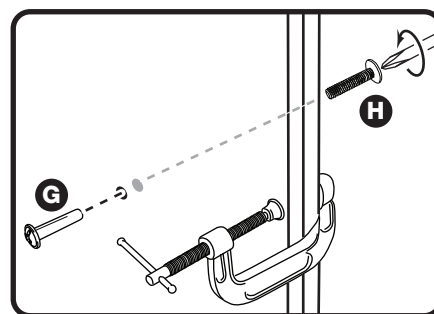
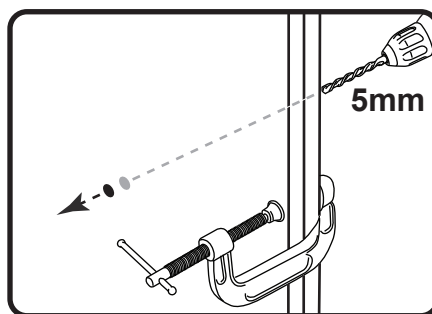
Make sure that your first unit is level.

Push the other unit up against first unit and ensure both units are level.

Check that the ends are flush and in line, then clamp them together.

Using a 5mm drill bit, drill 2 holes (approximate positions shown circled) in the side panel into the adjoining side panel of the other unit.

Push the connecting sleeves **G** into the holes and then screw the connecting bolts **H** in from the other side.



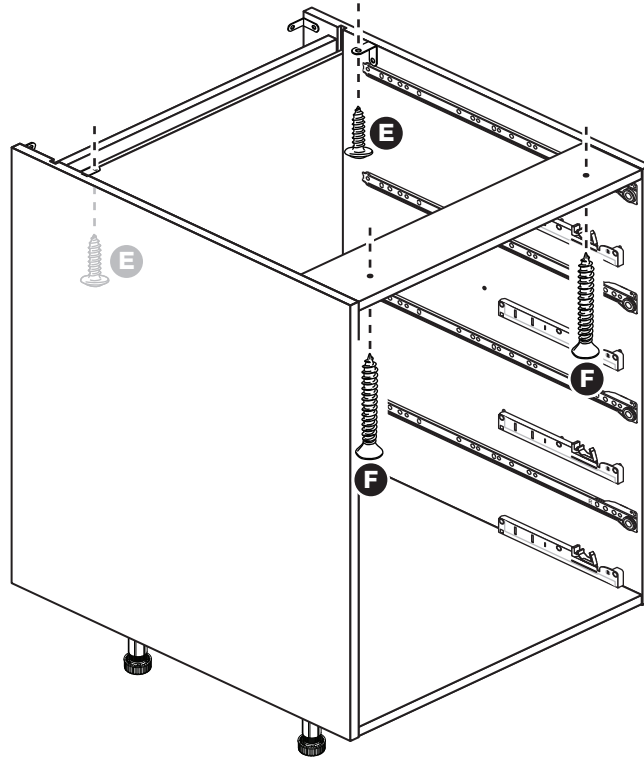
Assembly Instructions

Step 17

Fit the unit to worktop

To fit the unit to the worktop use 2 screws **F** to screw up through the holes in the cross rail **4** as shown.

Then use 2 screws **E** to screw up through the brackets **J** as shown.



Step 18

Drill the handle holes in the drawer fronts

Lay the drawer front **8** down onto a soft, smooth surface.

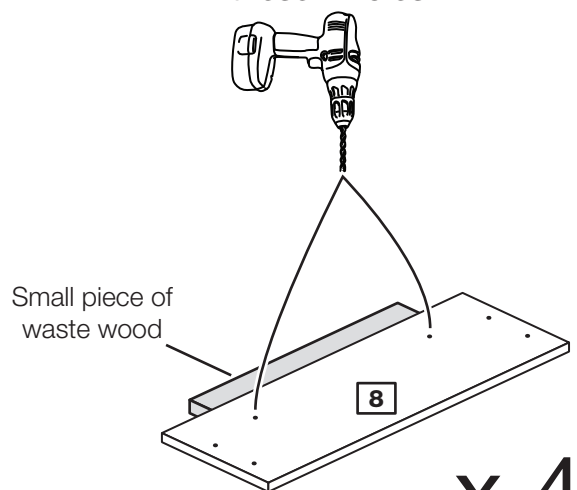
Note: We recommend the use of a small piece of waste wood, placed behind the hole while drilling, to reduce the possibility of any breakout.

Using the pilot holes in the rear face of the drawer front **8**, drill through the holes using a 2.5mm diameter drill.

Turn the drawer front **8** over and open out the 2.5mm holes that you have just drilled by drilling back through them with a 5mm drill.

Note: Drill bits are not provided.

ONLY drill these 2 holes



x 4

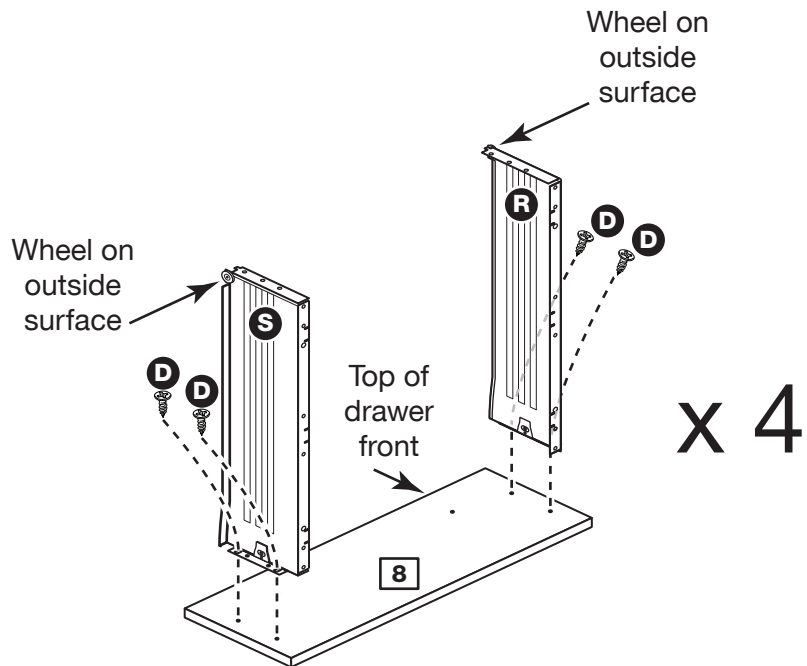
Assembly Instructions

Step 19

Prepare the drawers

Fit the left drawer side **R** and right side drawer side **S** onto the drawer front **8** using 4 screws **D** into the slotted holes.

Important: Make sure that the drawer sides and drawer front are the correct way around.

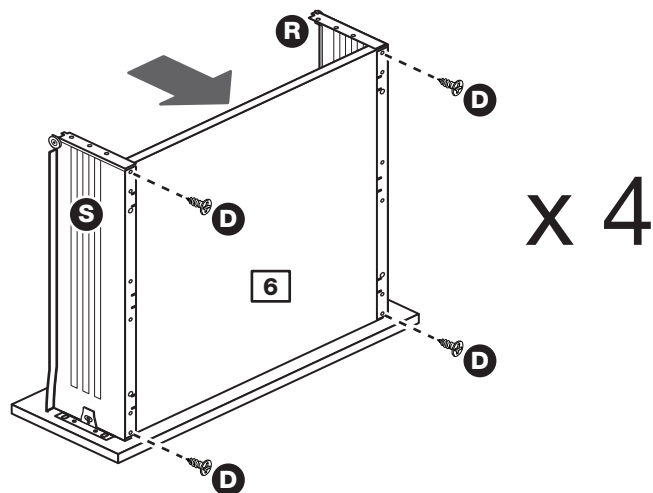


Step 20

Fit the drawer base

Push the drawer base **6** against the bottom of the drawer sides **R** and **S**.

While holding it in place, secure the drawer base **D** using 4 screws **6** into the front and back holes, as shown.

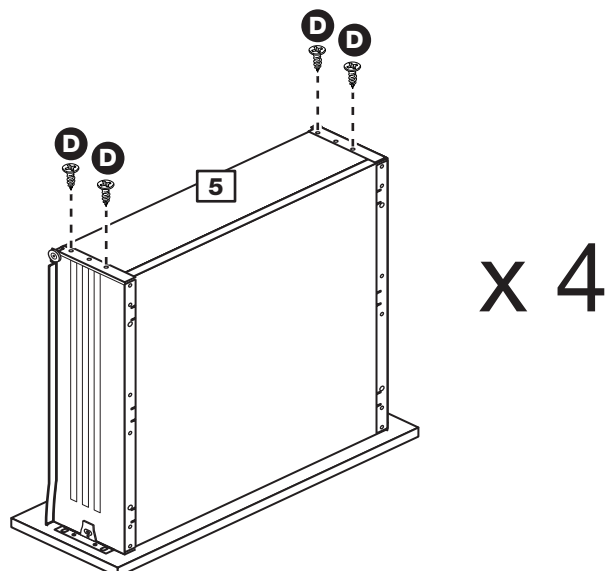


Step 21

Fit the drawer back

Push the drawer back **5** up into the drawer assembly.

While holding it in place, secure the drawer back **5** using 4 screws **D** into the top and bottom holes, as shown.



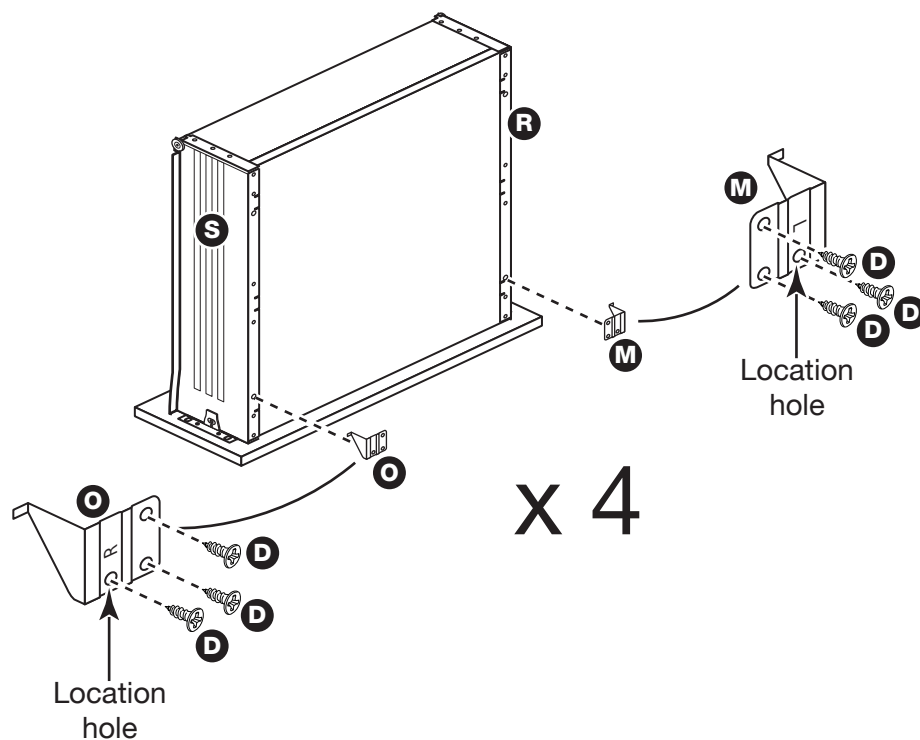
Assembly Instructions

Step 22

Fit the soft close catches

Position the location hole of the right soft close catch **O** marked 'R' into the 3rd hole up from the front of the right drawer side **S** then secure using 3 screws **D**.

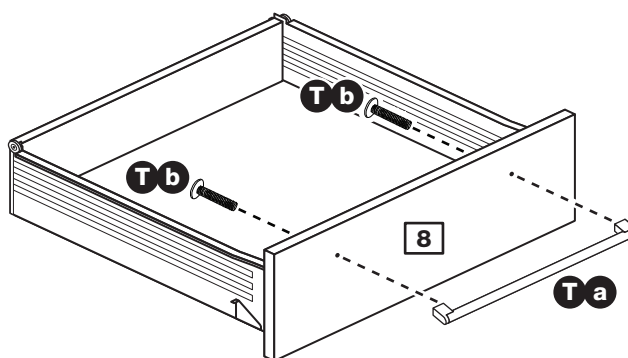
Position the location hole of the left soft close catch **M** marked 'L' into the 3rd hole up from the front of the left drawer side **R** and secure using 3 screws **D**.



Step 23

Fit the handle

Attach the handle **T a** supplied with the drawer front **8** using the screw(s) **T b** packed with it.

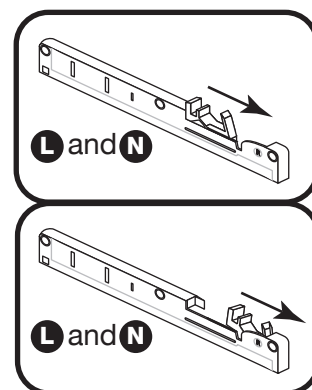
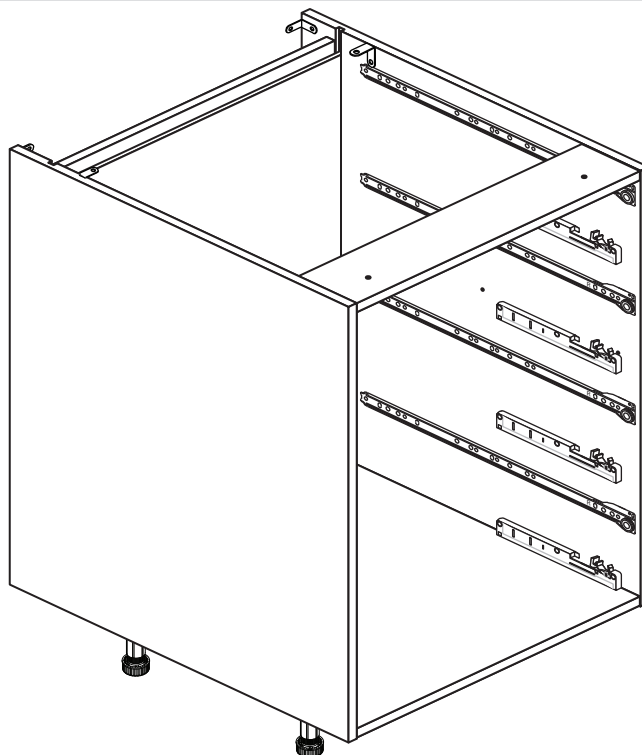


Assembly Instructions

Step 24

Prepare the soft close units

Before fitting the drawers you will need to push the movable part of the 8 soft close units **L** and **N** forward until it clicks into place.

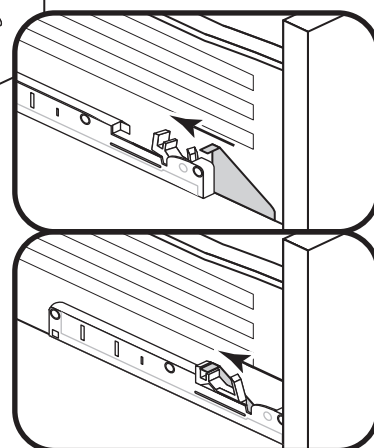
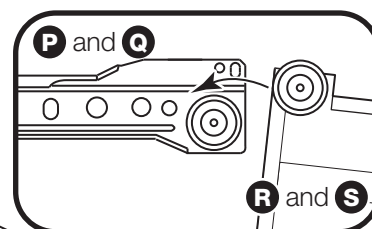
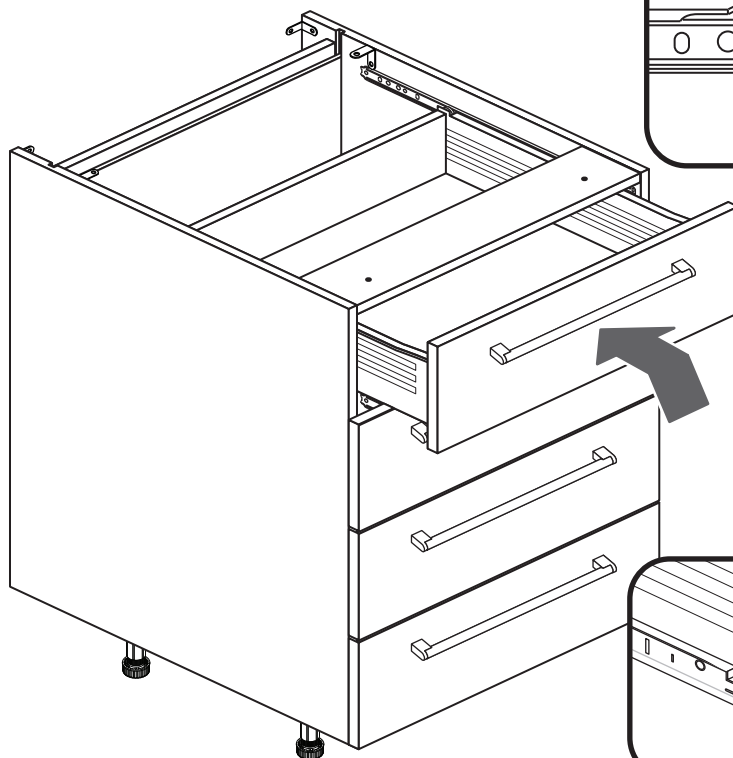


Step 25

Fit the drawers

Slide the wheels on the drawer sides **R** and **S** over the wheels on the runners **P** and **Q** then push the drawer into position.

Important: Make sure that 2 soft close catches on each drawer engage with the soft close units fitted to the side panels.



Assembly Instructions

Step 26

Fit the plinth

After cutting the plinth to the required length, offer the plinth up to the unit and using a pencil, mark the position of the unit's legs **Ib** on the back of the plinth.

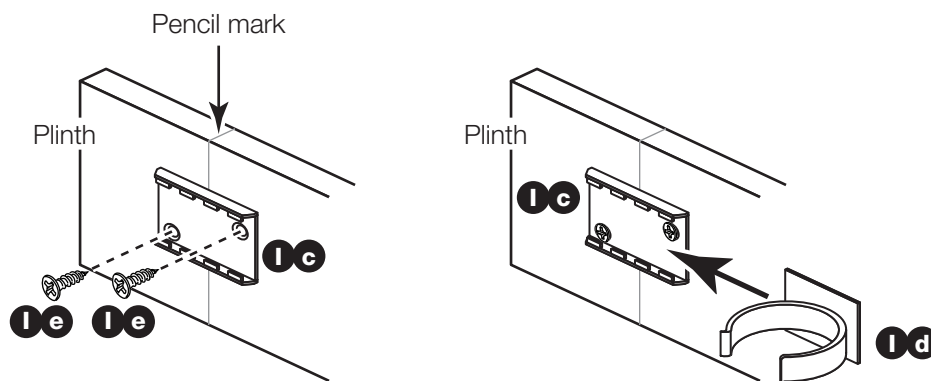
Position the leg bracket **Ic** so it is in the centre of the pencil mark and half way up the plinth.

Fix the leg bracket **Ic** to the back of the plinth using 2 screws **Ie**.

Slide the leg clip **Id** into the leg bracket **Ic**.

Offer the plinth up to the unit and push the leg clips **Id** onto the legs **Ib**.

Black Plinth Pack	608/2345
Cream Plinth Pack	608/2369
Oak Plinth Pack	205/5668
White Gloss Plinth Pack	608/2352
White HN Plinth Pack	198/9917



Step 27

Fit other products to the unit

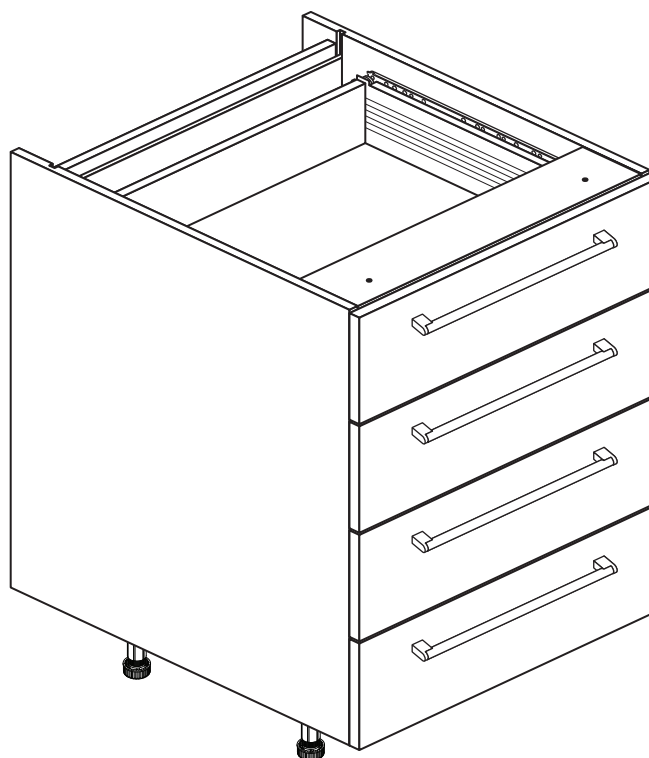
To fit other products to this unit e.g. worktops etc., please follow the instructions packed with them.

We recommend that you consult a qualified joiner or kitchen fitter.

Assembly is complete



Warning: The unit is heavy. Lift with care.



If you need help or have damaged or missing parts, call the **Customer Helpline: 08456 400800** and quote the reference numbers on the component pages.

Argos Ltd, 489-499 Avebury Boulevard, Central Milton Keynes, MK9 2NW

