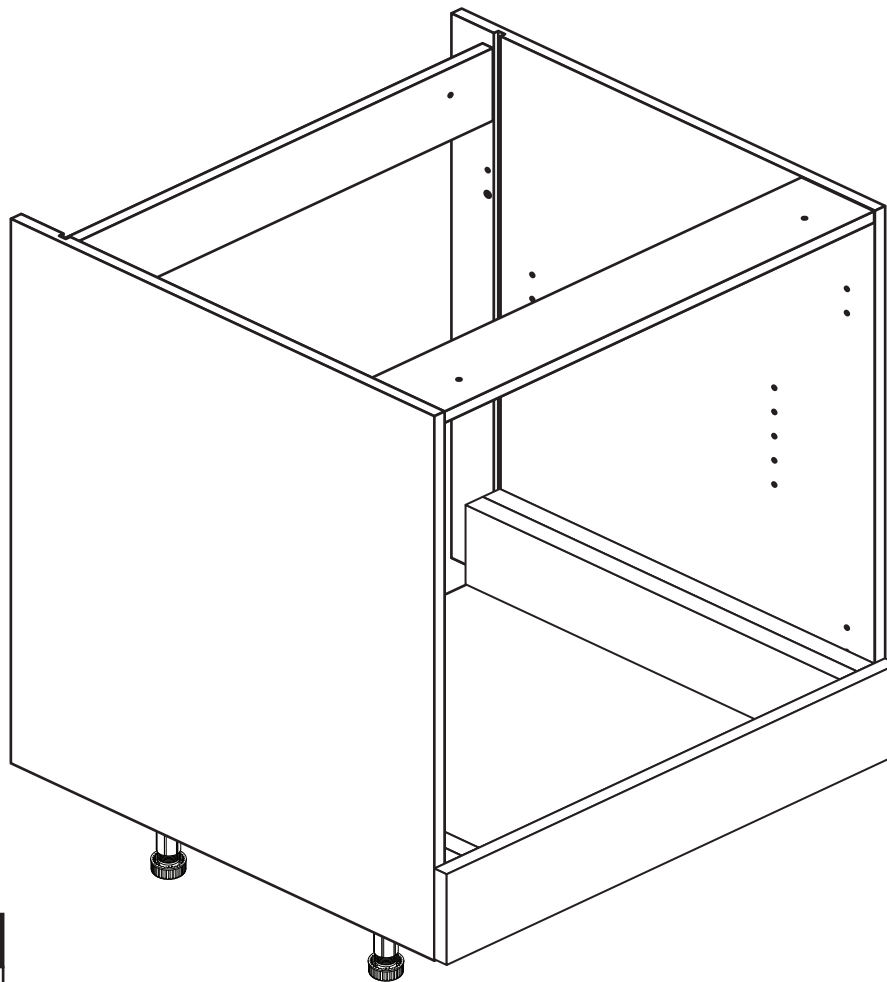


Valencia - Under Oven Cabinet

Assembly Instructions - Please keep for future reference

hygena

Cabinet	656/5831
Black Door Pack	656/6720
Cream Door Pack	656/6744
Oak Door Pack	205/4281
White Gloss Door Pack	656/6737
White HN Door Pack	203/8104



Dimensions

Width - 60cm

Depth - 59cm

Height - 87cm



**MADE IN
BRITAIN**

Important - Please read these instructions fully before starting assembly

If you need help or have damaged or missing parts, call the **Customer Helpline: 08456 400800**



Safety and Care Advice

Important - Please read these instructions fully before starting assembly

- **Warning:** This unit weighs approximately 16.5kgs. Please lift with care.

- Check you have all the components and tools listed on pages 2, 3 and 4.

- Remove all fittings from the plastic bags and separate them into their groups.

- Keep children and animals away from the work area, small parts could choke if swallowed.

- Parts of the assembly will be easier with 2 people.

- Make sure you have enough space to layout the parts before starting.

- Do not stand or put weight on the product, this could cause damage.

- Assemble the item as close to its final position (in the same room) as possible.

- Assemble on a soft level surface to avoid damaging the unit or your floor (use opened out unit carton).



- We do not recommend the use of power drill/drivers **for inserting screws**, as this could damage the unit. Only use hand screwdrivers.

- **Safety note:** It is recommended that this unit is secured to a wall using the brackets supplied.

- Dispose of all packaging carefully and responsibly.

Care and maintenance

- Only clean using a damp cloth and mild detergent, do not use bleach or abrasive cleaners.

- From time to time check that there are no loose screws on this unit.

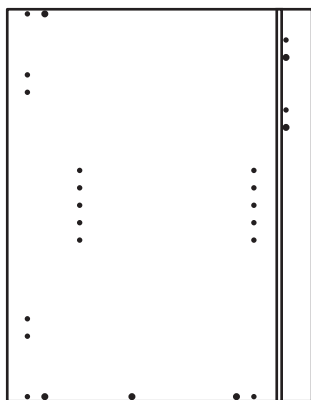
- This product should not be discarded with household waste. Take to your local authority waste disposal centre.

Note: If required the next page can be cut out and used as reference throughout the assembly. Keep this page with these instructions for future reference.

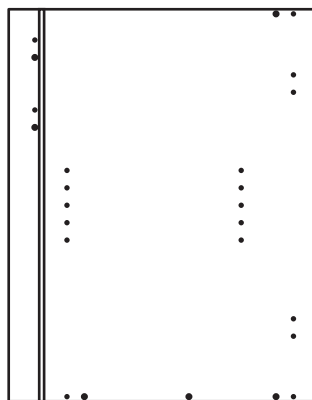
Components - Panels

If you have damaged or missing components, call the **Customer Helpline: 08456 400800** quoting the reference numbers below

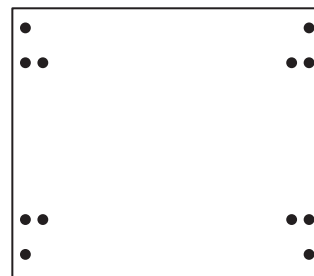
Please check you have all the panels listed below



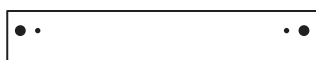
1 Left Side (DPF068A)
(720 x 560mm)



2 Right Side (DPF069A)
(720 x 560mm)



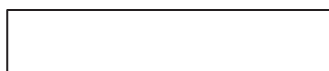
3 Base (DPF078A)
(569 x 494mm)



4 Cross Rail (DPF080A)
(569 x 96mm) x 2



5 Support Rail (DPF112A)
(495 x 105mm) x 4



6 Appliance Fascia (DPF124B)
(596 x 120mm)

The front surface of this fascia is protected with a peel-off film


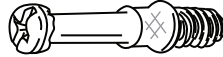




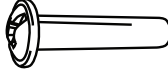

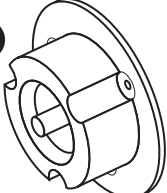
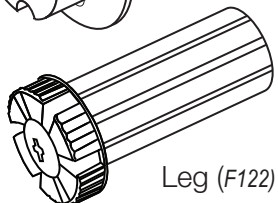
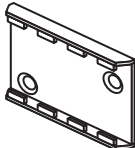


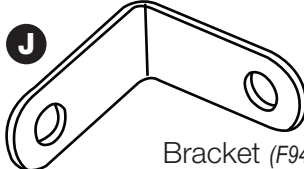



Components - Fittings

If you have damaged or missing components, call the **Customer Helpline: 08456 400800** quoting the reference numbers below

Please check you have all the fittings listed below

Note: The quantities below are the correct amount to complete the assembly. In some cases more fittings may be supplied than are required.

<p>A </p> <p>Wooden dowel (F22) x 10</p>	<p>B </p> <p>Metal dowel (F901) x 8</p>	<p>C </p> <p>Large locking nut (F900) x 8</p>
<p>D </p> <p>45mm Screw (F65) x 4</p>	<p>E </p> <p>13mm Screw (F79) x 14</p>	<p>F </p> <p>25mm Screw (F50) x 2</p>
<p>G </p> <p>Connecting Sleeve (F432) x 2</p>	<p>H </p> <p>19mm Connecting bolt (F461) x 2</p>	<p>la  Leg Socket (F120) x 4</p> <p>lb  Leg (F122) x 4</p> <p>lc  Leg Bracket (F127) x 2</p> <p>ld  Leg Clip (F128) x 2</p> <p>le  16mm Screw (F129) x 16</p>
<p>J </p> <p>Bracket (F945) x 8</p>	<p>K </p> <p>38mm Screw (F933) x 4</p>	

Tools required



Rule



Cross-head screwdriver



Scissors



Hammer

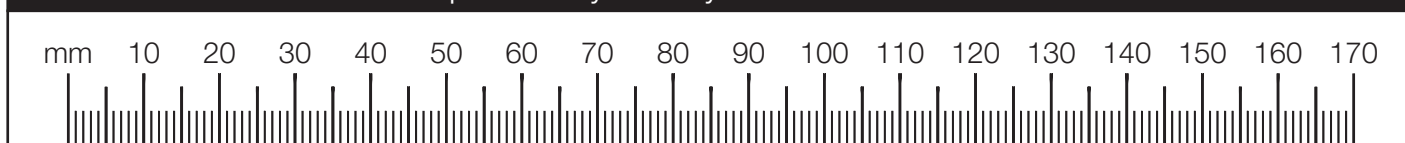


Eye protection (when using a hammer or drill)



Electric drill

Ruler - Use this ruler to help correctly identify the screws



Assembly Instructions

If you have damaged or missing components, call the **Customer Helpline: 08456 400800** quoting the reference numbers below

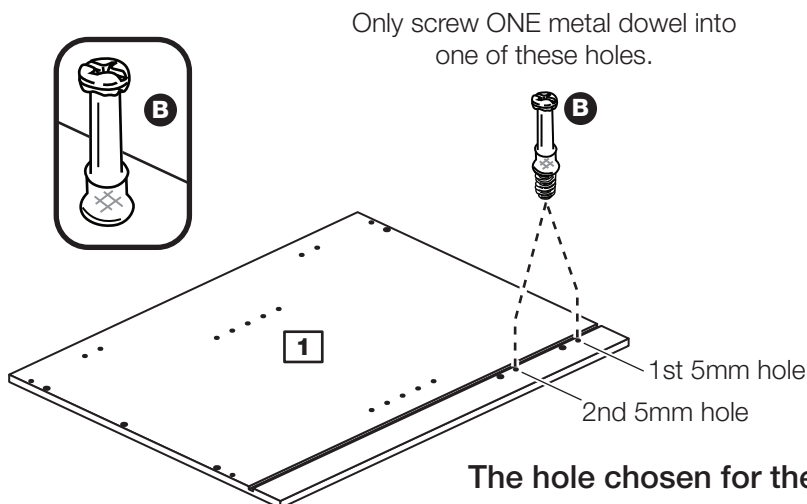
Step 1

Prepare the left side

Screw a metal dowel **B** into one of the holes shown on the left side **1**.

Note: Tighten metal dowels up fully against the panels.

Important: The position of the metal dowel depends on where you would like the cross rail to be.



The hole chosen for the metal dowel determines the position of the rear cross rail. This will depend on where the services to the oven will be located.

We recommend that you consult a qualified joiner or kitchen fitter.

Step 2

Prepare the left side

Screw 3 metal dowels **B** into the holes shown on the left side **1**.

Note: Tighten metal dowels up fully against the panels.

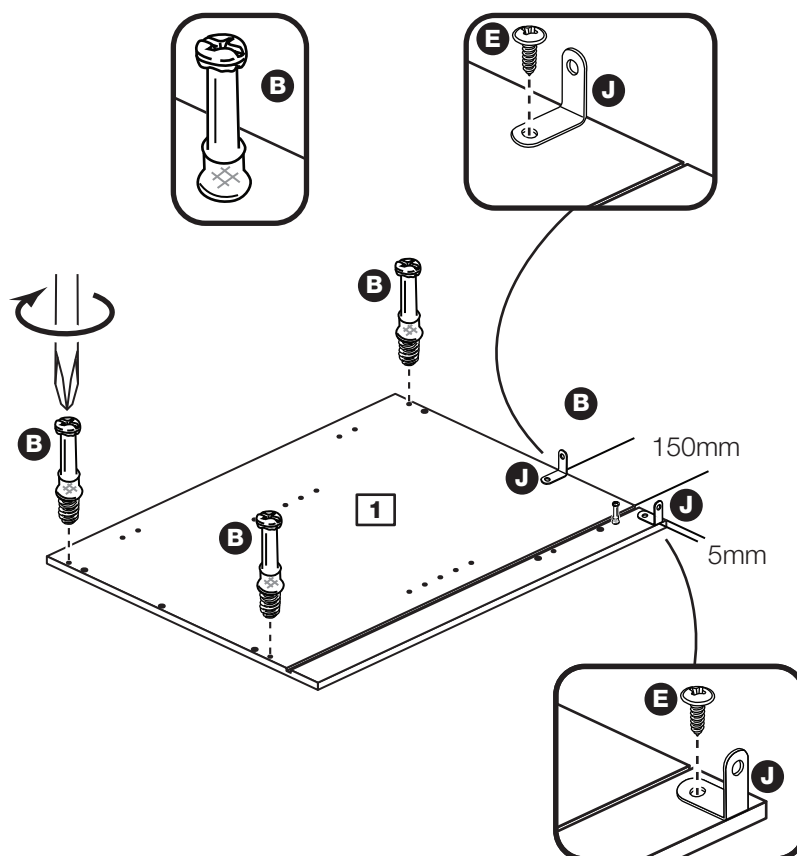
Fit a bracket **J** flush to the top edge of the left side **1**, about 150mm in from the groove, see diagram.

Secure the bracket **J** using screw **E**.

Fit another bracket **J** flush to the back edge of the left side **1**, about 5mm down from the top edge, see diagram.

Secure the bracket **J** using screw **E**.

Note: The brackets must be flush with the top/back edge of the panel.



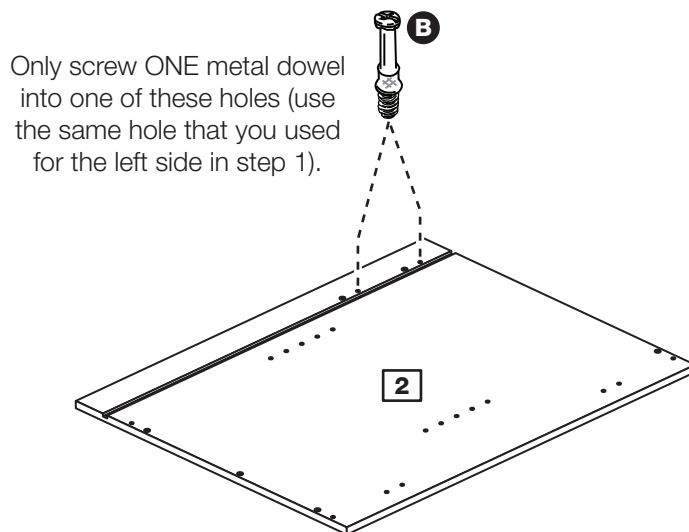
Assembly Instructions

Step 3

Prepare the right side

Screw a metal dowel **B** into one of the holes shown on the right side **2**.

Use the same hole that you used for the left side in step 1.



Step 4

Prepare the right side

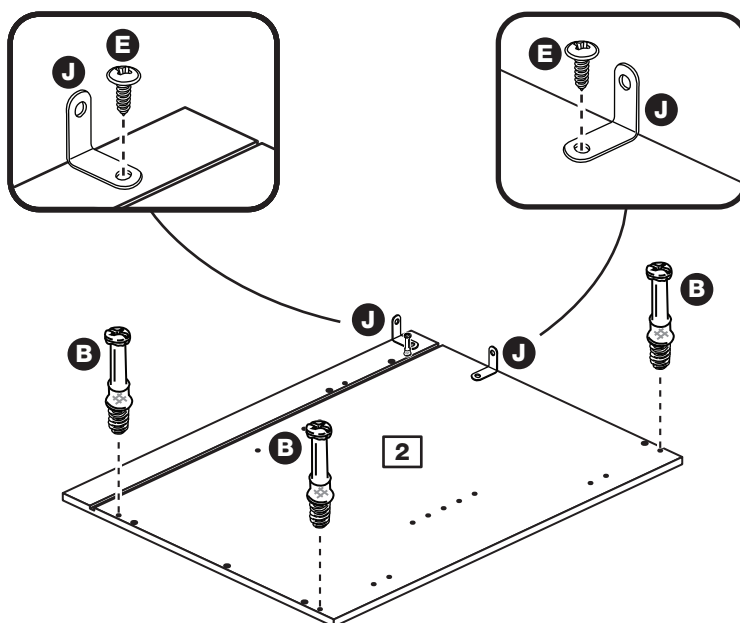
Screw 3 metal dowels **B** into the holes shown on the right side **2**.

Fit a bracket **J** flush to the top edge of the right side **2**, about 150mm in from the groove, see diagram.

Secure the bracket **J** using screw **E**.

Fit another bracket **J** flush to the back edge of the right side **2**, about 5mm down from the top edge, see diagram.

Secure the bracket **J** using screw **E**.



Assembly Instructions

Step 5

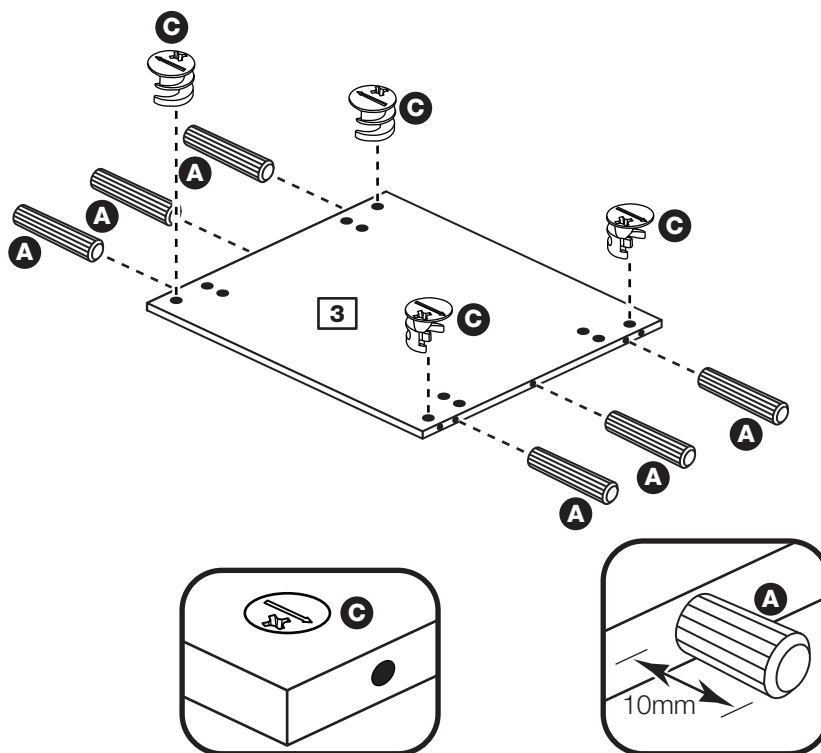
Prepare the base

Insert 4 large locking nuts **C** into the base **3** as shown.

Note: Arrow on locking nut **must** point towards hole in edge of panel.

Tap 6 wooden dowels **A** into the base **3** as shown.

Note: Wooden dowels **must not** stick out from the edge by more than 10mm or they may damage other panels.



Step 6

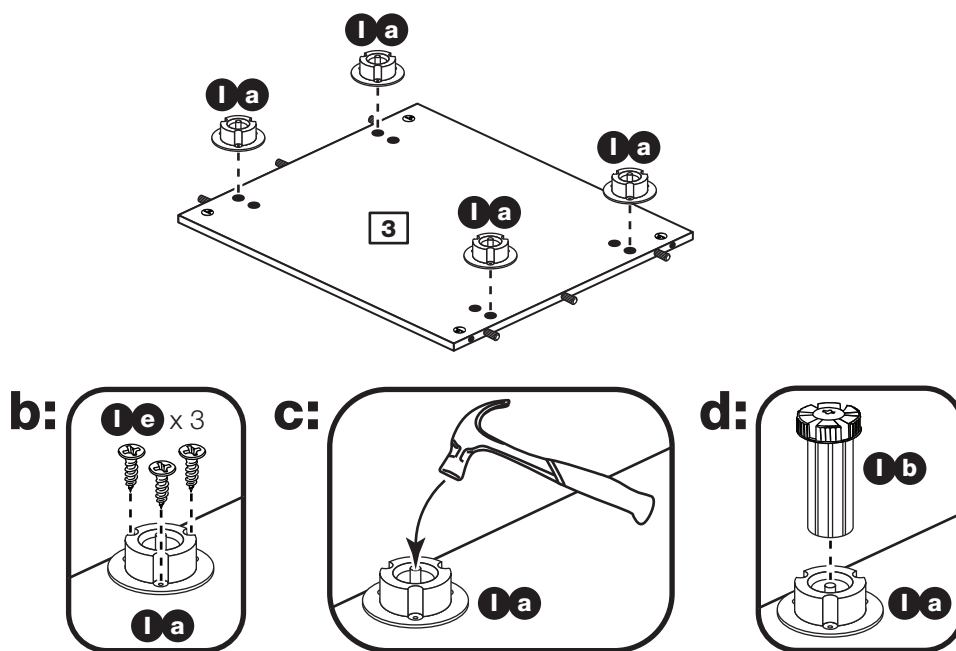
Fit the legs to the base

a: Push the leg sockets **1a** into the holes in the base **3** as shown.

b: Secure each leg socket **1a** with 3 screws **1e**.

c: Tap in the centre plug on each leg socket **1a**.

d: Push the leg **1b** into the leg socket **1a**.



Assembly Instructions

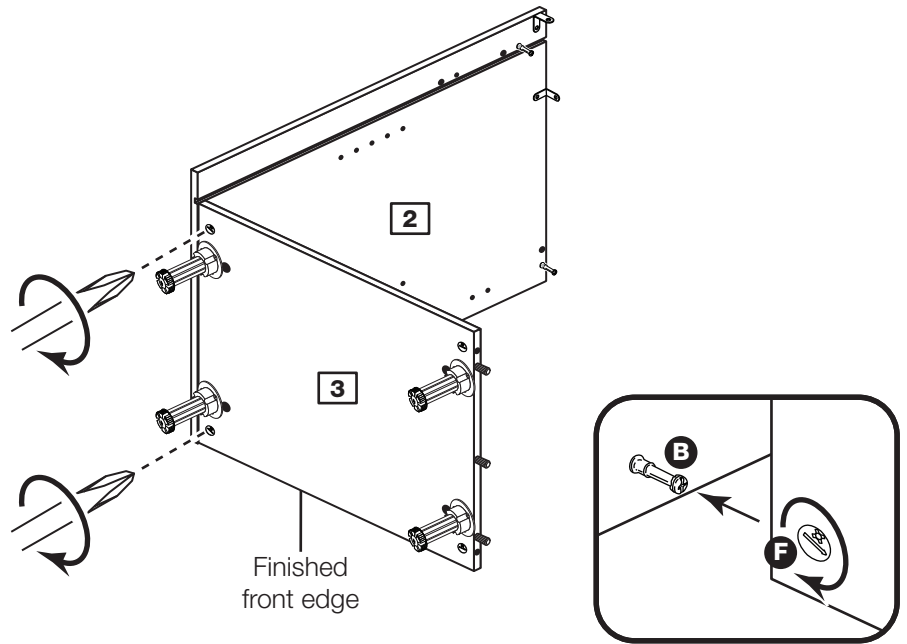
Step 7

Join the right side and base

Push the base **3** onto the right side **2**.

Use a screwdriver to tighten the 2 large locking nuts **C** fitted to the base **3**.

Note: Turn the large locking nuts **C** as far as they will go - more than 1/2 a turn.

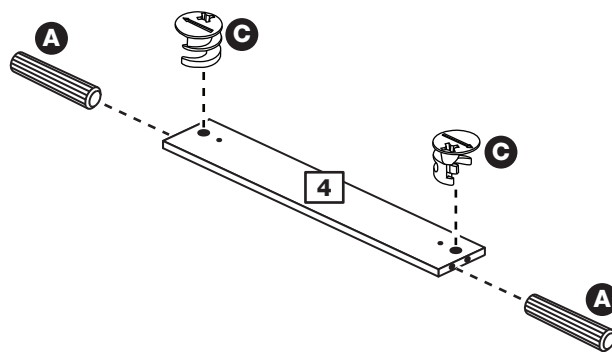


Step 8

Prepare the 2 cross rails

Insert 2 large locking nuts **C** into the cross rails **4** as shown.

Tap 2 wooden dowels **A** into the cross rails **4** as shown.



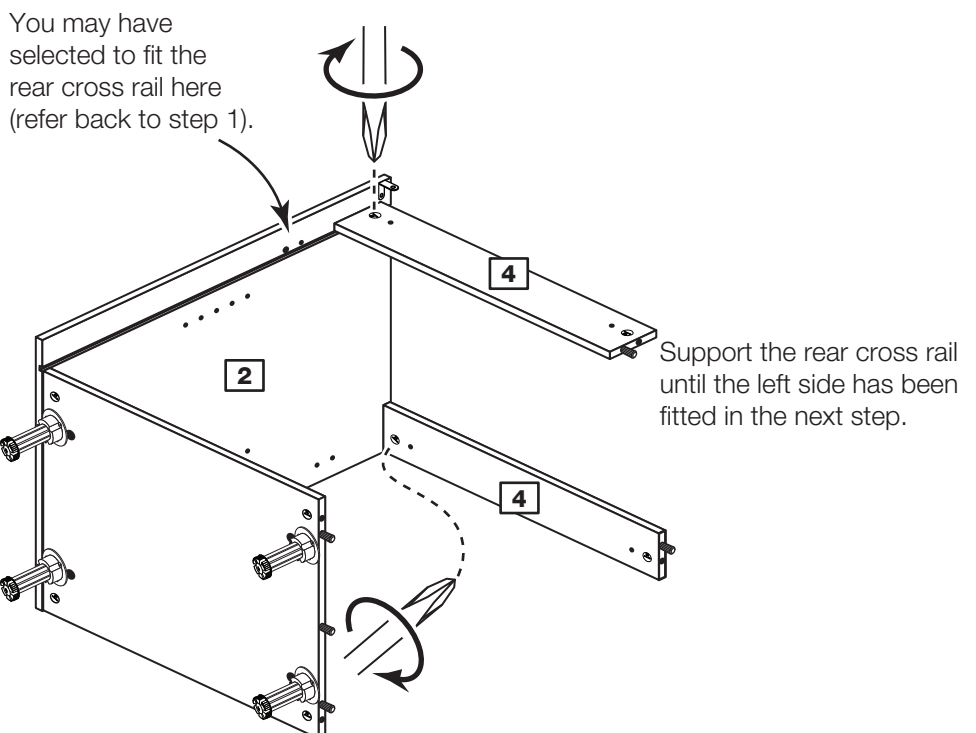
Step 9

Fit the 2 cross rails

Push each cross rail **4** onto the right side **2**.

Use a screwdriver to tighten the large locking nut **C** fitted to each cross rail **4**.

Note: Turn the large locking nuts **C** as far as they will go - more than 1/2 a turn.



Assembly Instructions

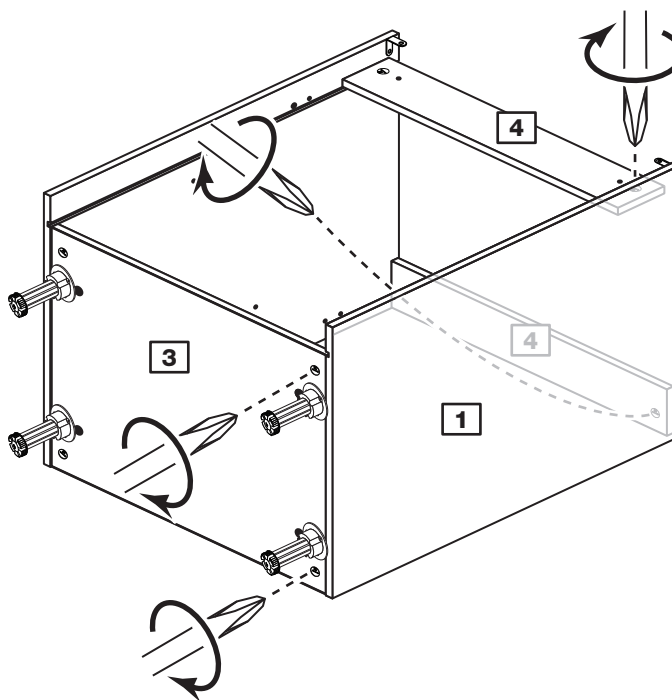
Step 10

Fit the left side

Push the left side **1** onto the assembly.

Use a screwdriver to tighten the large locking nut **C** fitted to the 2 cross rails **4** and the 2 fitted to the base **3**.

Note: Turn the large locking nuts **C** as far as they will go - more than 1/2 a turn.



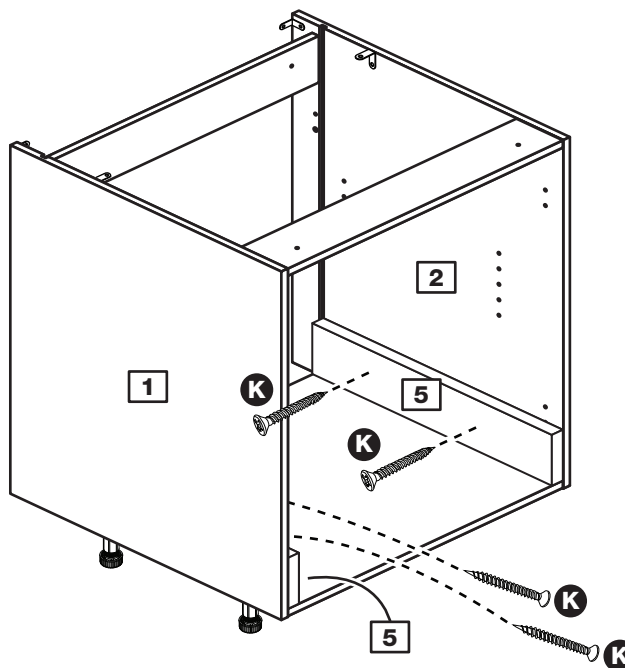
Step 11

Fit 2 support rails

Fit a support rail **5** to the right side **2** using 2 screws **K**.

Fit a support rail **5** to the left side **1** using 2 screws **K**.

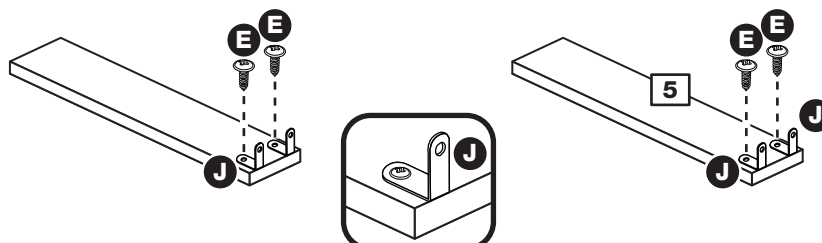
Note: The support rails must be flush with the front of the unit.



Step 12

Prepare the other 2 support rails

Fit 2 brackets **J** flush to one end of the remaining support rails **5** using screw **E**.



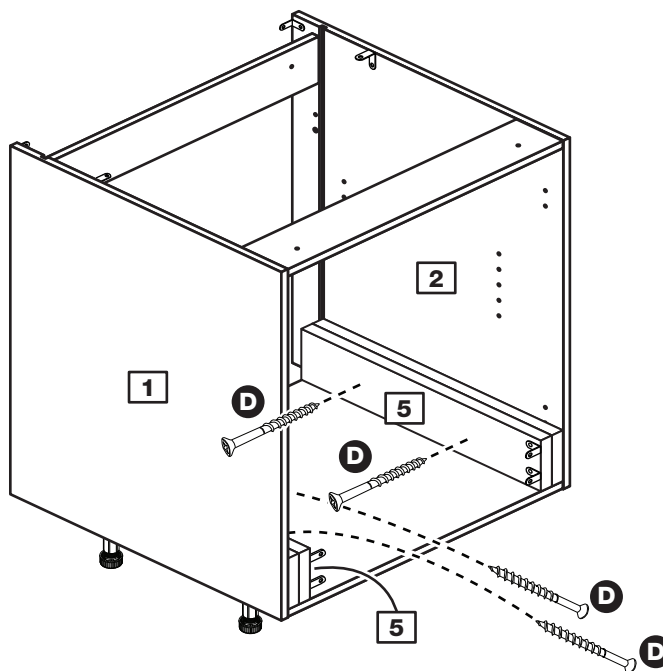
Assembly Instructions

Step 13

Fit 2 support rails

Fit a support rail **5** flush with the support rail on the right side **2** using 2 screws **D**.

Fit a support rail **5** flush with the support rail on the left side **1** using 2 screws **D**.

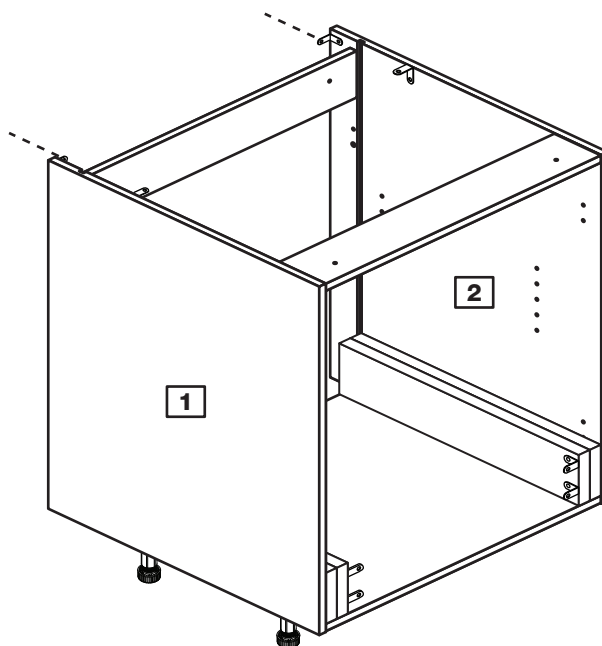


Step 14

Secure the unit to the wall

Using the brackets **J** fitted to the back edge of the sides **1** and **2** screw the unit to the wall.

Fixings are not supplied as they will need to suit the wall type, and the length of screw will depend on the distance of the back of the Unit to the wall.



Warning: Take care when drilling the wall that you do not drill into any pipes, wires etc. If in doubt, consult an expert.

Assembly Instructions

Step 15

Joining units together

Fittings have been supplied so you are able to join units together.

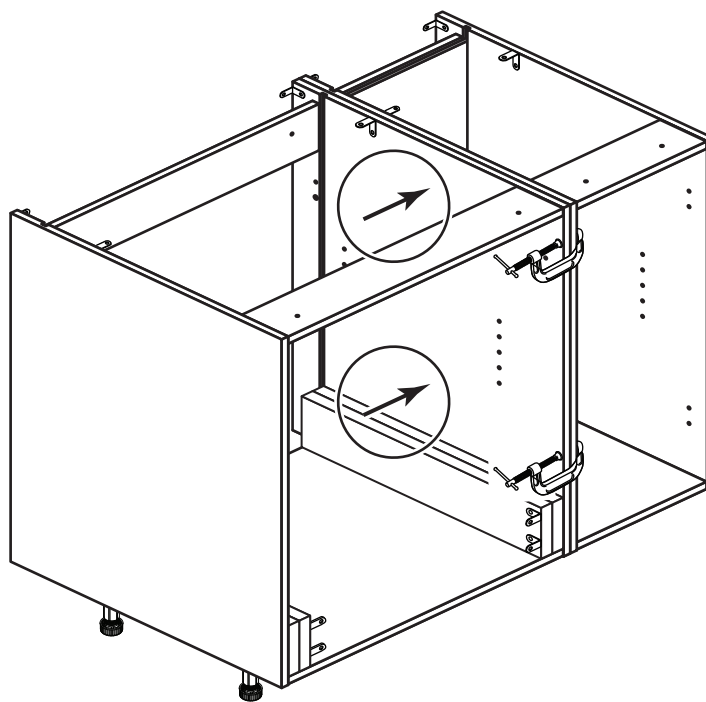
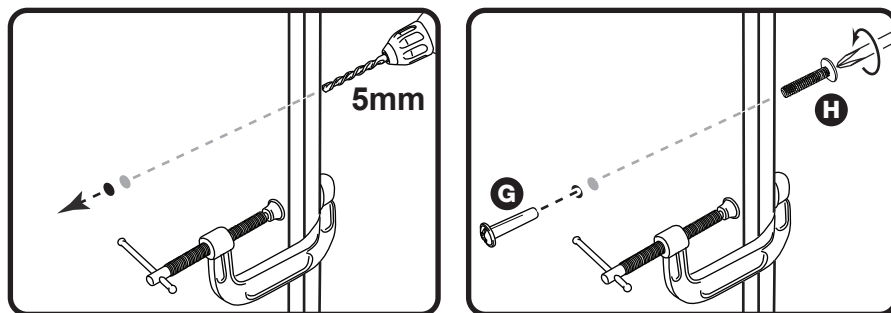
Make sure that your first unit is level.

Push the other unit up against first unit and ensure both units are level.

Check that the ends are flush and in line, then clamp them together.

Using a 5mm drill bit, drill 2 holes (approximate positions shown circled) in the side panel into the adjoining side panel of the other unit.

Push the connecting sleeves **G** into the holes and then screw the connecting bolts **H** in from the other side.

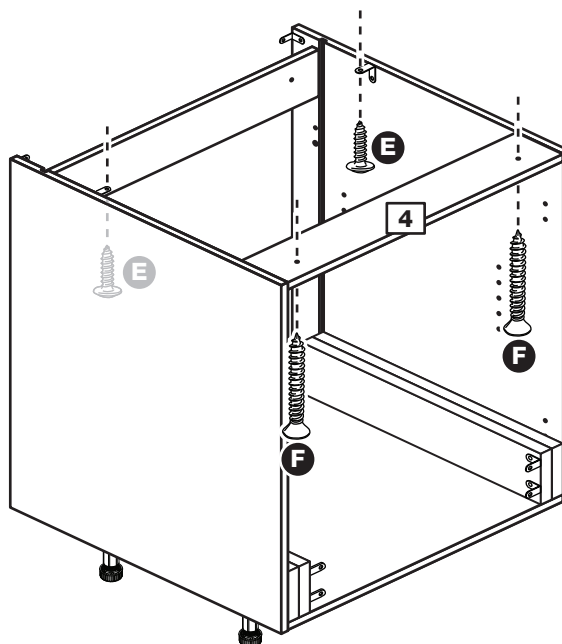


Step 16

Fit the unit to worktop

To fit the unit to the worktop use 2 screws **F** to screw up through the holes in the cross rail **4** as shown.

Then use 2 screws **E** to screw up through the brackets **J** as shown.



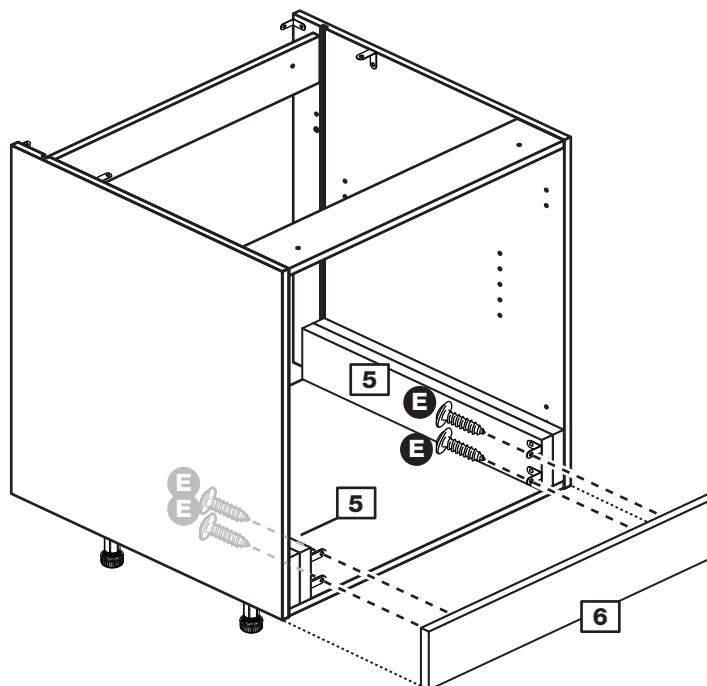
Assembly Instructions

Step 17

Fit the appliance fascia

Offer the appliance fascia **6** up to the unit, so that it is flush with the bottom and sides of the unit.

Use 2 screws **E** to screw through the brackets **J** fitted to the support rails **5** and into the back surface of the appliance fascia **6**.



Step 18

Fit the plinth

After cutting the plinth to the required length, offer the plinth up to the unit and using a pencil, mark the position of the unit's legs **1b** on the back of the plinth.

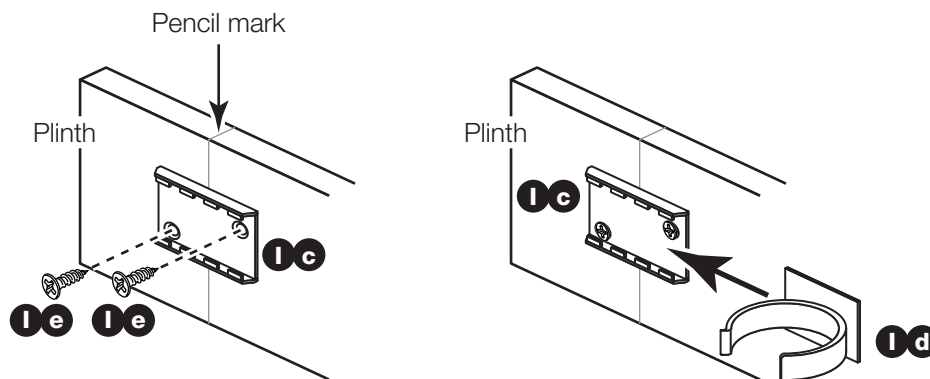
Position the leg bracket **1c** so it is in the centre of the pencil mark and half way up the plinth.

Fix the leg bracket **1c** to the back of the plinth using 2 screws **1e**.

Slide the leg clip **1d** into the leg bracket **1c**.

Offer the plinth up to the unit and push the leg clips **1d** onto the legs **1b**.

Black Plinth Pack	608/2345
Cream Plinth Pack	608/2369
Oak Plinth Pack	205/5668
White Gloss Plinth Pack	608/2352
White HN Plinth Pack	198/9917



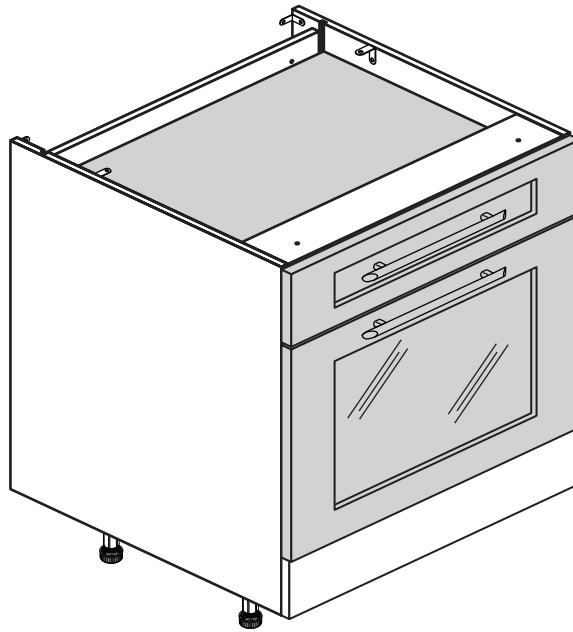
Assembly Instructions

Step 19

Install the oven

Please refer to the instructions that were supplied with the oven.

We recommend that you contact a registered installer.

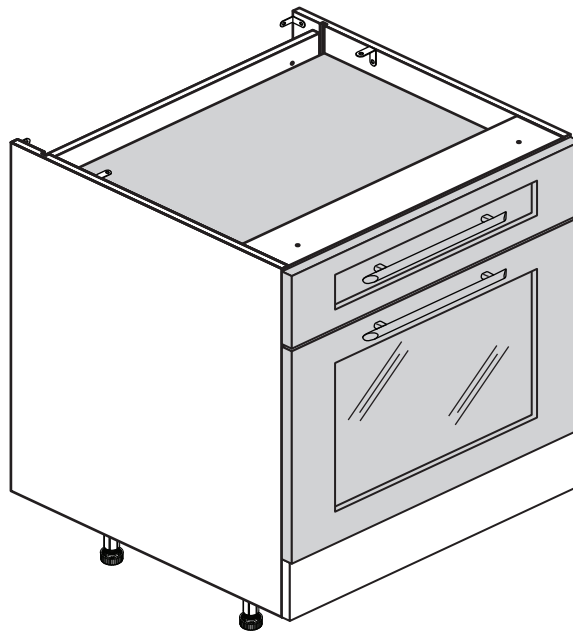


Step 20

Fit other products to the unit

To fit other products to this unit e.g. worktops etc., please follow the instructions packed with them.

We recommend that you consult a qualified joiner or kitchen fitter.



Assembly is complete



Warning: The unit is heavy. Lift with care.

If you need help or have damaged or missing parts, call the **Customer Helpline: 08456 400800** and quote the reference numbers on the component pages.

Argos Ltd, 489-499 Avebury Boulevard, Central Milton Keynes, MK9 2NW

