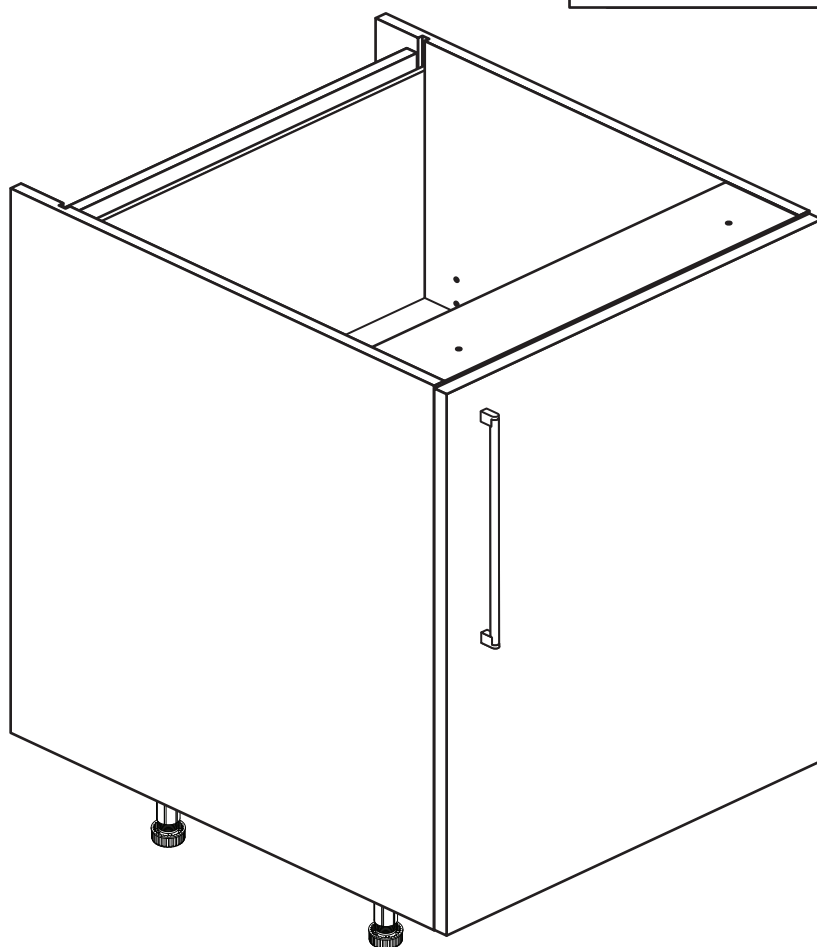


Valencia - 500mm Base Cabinet

Assembly Instructions - Please keep for future reference

hygena

Cabinet	656/5776
Black Door Pack	633/2882
Cream Door Pack	633/2710
Oak Door Pack	205/4009
White Gloss Door Pack	633/2806
White HN Door Pack	192/3722



Dimensions

Width - 50cm

Depth - 59cm

Height - 87cm



**MADE IN
BRITAIN**

Important - Please read these instructions fully before starting assembly

If you need help or have damaged or missing parts, call the **Customer Helpline: 08456 400800**



Safety and Care Advice

Important - Please read these instructions fully before starting assembly

- **Warning:** This unit weighs approximately 16.5kgs. Please lift with care.

- Check you have all the components and tools listed on pages 1, 2 and 3.

- Remove all fittings from the plastic bags and separate them into their groups.

- Keep children and animals away from the work area, small parts could choke if swallowed.

- Parts of the assembly will be easier with 2 people.

- Make sure you have enough space to layout the parts before starting.

- Do not stand or put weight on the product, this could cause damage.

- Assemble the item as close to its final position (in the same room) as possible.

- Assemble on a soft level surface to avoid damaging the unit or your floor (use opened out unit carton).



- We do not recommend the use of power drill/drivers **for inserting screws**, as this could damage the unit. Only use hand screwdrivers.

- **Safety note:** It is recommended that this unit is secured to a wall using the brackets supplied.

- Dispose of all packaging carefully and responsibly.

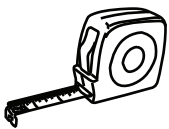
Care and maintenance

- Only clean using a damp cloth and mild detergent, do not use bleach or abrasive cleaners.

- From time to time check that there are no loose screws on this unit.

- This product should not be discarded with household waste. Take to your local authority waste disposal centre.

Tools required



Rule



Cross-head screwdriver



Scissors



Hammer



Eye protection (when using a hammer or drill)



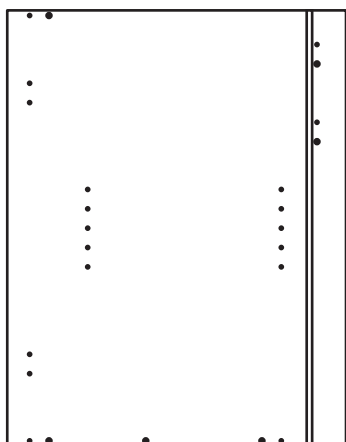
Electric drill

Note: If required the next page can be cut out and used as reference throughout the assembly. Keep this page with these instructions for future reference.

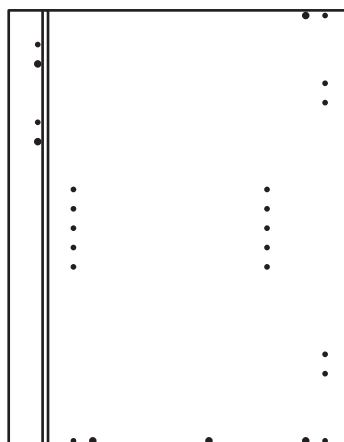
Components - Panels

If you have damaged or missing components, call the **Customer Helpline: 08456 400800** quoting the reference numbers below

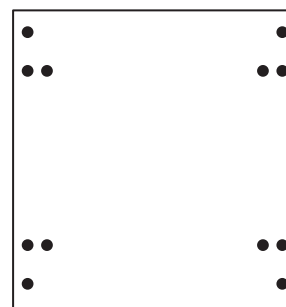
Please check you have all the panels listed below



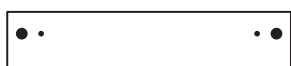
1 Left Side (DPF068A)
(720 x 560mm)



2 Right Side (DPF069A)
(720 x 560mm)



3 Base (DPF074A)
(469 x 494mm)



4 Cross Rail (DPF076A)
(469 x 96mm) x 2



5 Loose Shelf (DPF075A)
(468 x 431mm)



6 Back (DPF077A)
(479 x 680mm)



7 Door (DPF147B)
(497 x 716mm)

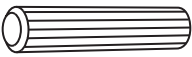
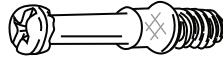




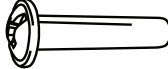

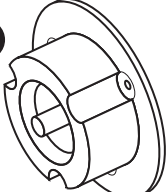
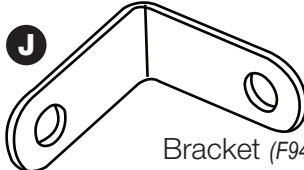

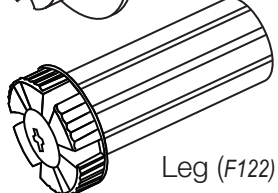

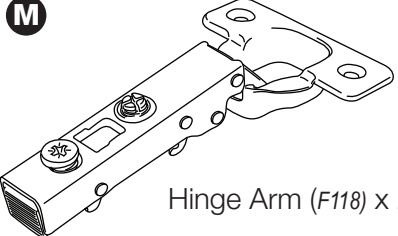
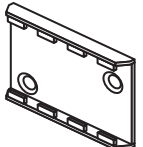
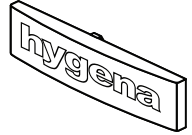






Components - Fittings

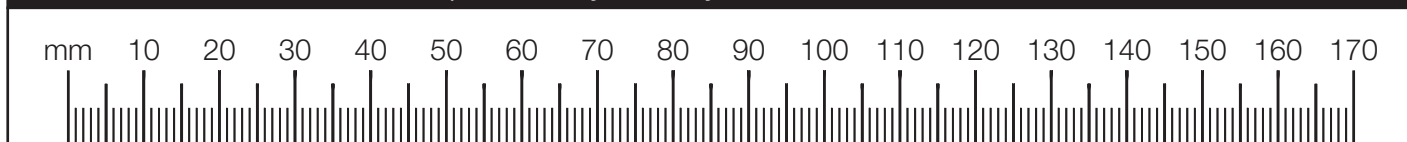
If you have damaged or missing components, call the **Customer Helpline: 08456 400800** quoting the reference numbers below

Please check you have all the fittings listed below

Note: The quantities below are the correct amount to complete the assembly. In some cases more fittings may be supplied than are required.

<p>A </p> <p>Wooden dowel (F22) x 10</p>	<p>B </p> <p>Metal dowel (F901) x 8</p>	<p>C </p> <p>Large locking nut (F900) x 8</p>
<p>D </p> <p>13mm Screw (F63) x 4</p>	<p>E </p> <p>13mm Screw (F79) x 6</p>	<p>F </p> <p>25mm Screw (F50) x 5</p>
<p>G </p> <p>Connecting Sleeve (F432) x 2</p>	<p>H </p> <p>19mm Connecting bolt (F461) x 2</p>	<p>I a </p> <p>Leg Socket (F120) x 4</p>
<p>J </p> <p>Bracket (F945) x 4</p>	<p>K </p> <p>Shelf support (F110) x 4</p>	<p>I b </p> <p>Leg (F122) x 4</p>
<p>L </p> <p>Hinge Plate (F117) x 2</p>	<p>M </p> <p>Hinge Arm (F118) x 2</p>	<p>I c </p> <p>Leg Bracket (F127) x 2</p>
<p>N </p> <p>Hinge Cover (F119) x 2</p>		<p>I d </p> <p>Leg Clip (F128) x 2</p>
<p>O a </p>		<p>I e </p> <p>16mm Screw (F129) x 16</p>
<p>Handle (F214) x 1</p>		
<p>O b </p> <p>25mm Screw (F132) x 2</p>		

Ruler - Use this ruler to help correctly identify the screws



Assembly Instructions

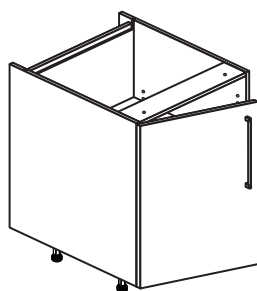
If you have damaged or missing components, call the
Customer Helpline: 08456 400800 quoting the reference
numbers below

Step 1

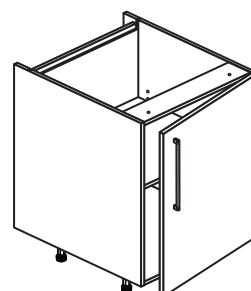
Choose which way you would like the door to open

You can fit the door to the left side or right side.

If you would like your door to open this way, fit the hinge plates to the left side



If you would like your door to open this way, fit the hinge plates to the right side



Step 2

Prepare the left side

Refer to step 1 and, if **required**, fit 2 hinge plates **L** onto the left side **1**, making sure that the slot is facing towards the front edge.

Screw 4 metal dowels **B** into the holes shown on the left side **1**.

Note: Tighten metal dowels up fully against the panels.

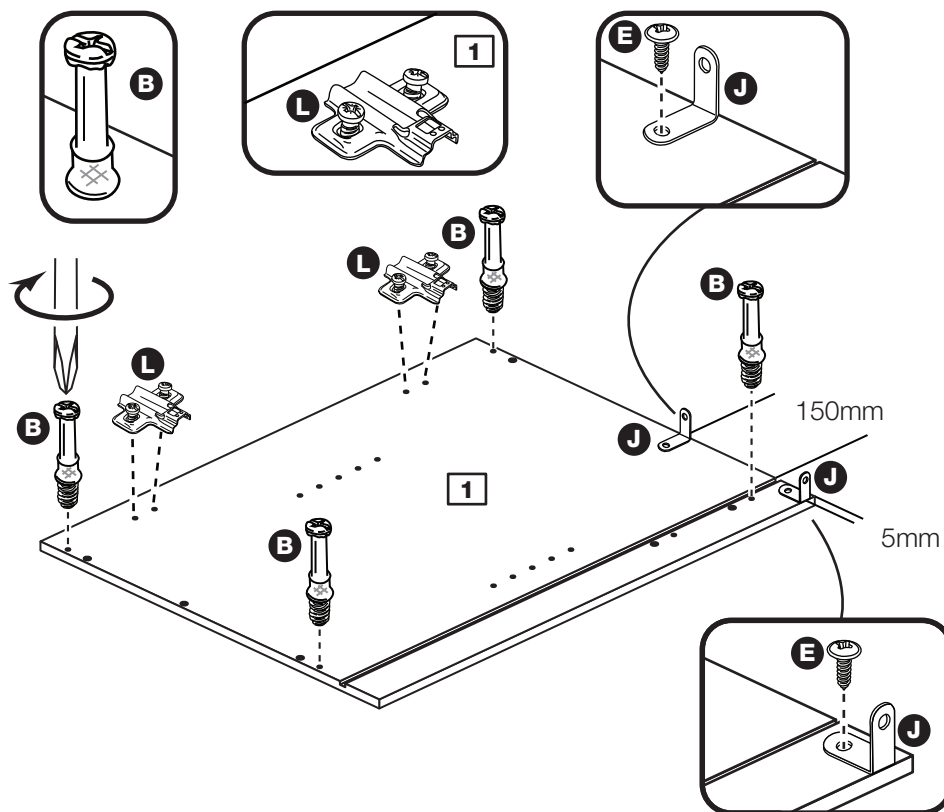
Fit a bracket **J** flush to the top edge of the left side **1**, about 150mm in from the groove, see diagram.

Secure the bracket **J** using screw **E**.

Fit another bracket **J** flush to the back edge of the left side **1**, about 5mm down from the top edge, see diagram.

Secure the bracket **J** using screw **E**.

Note: The brackets must be flush with the top/back edge of the panel.



Assembly Instructions

Step 3

Prepare the right side

Refer to step 1 and, if required, fit 2 hinge plates **L** onto the right side **2**, making sure that the slot is facing towards the front edge.

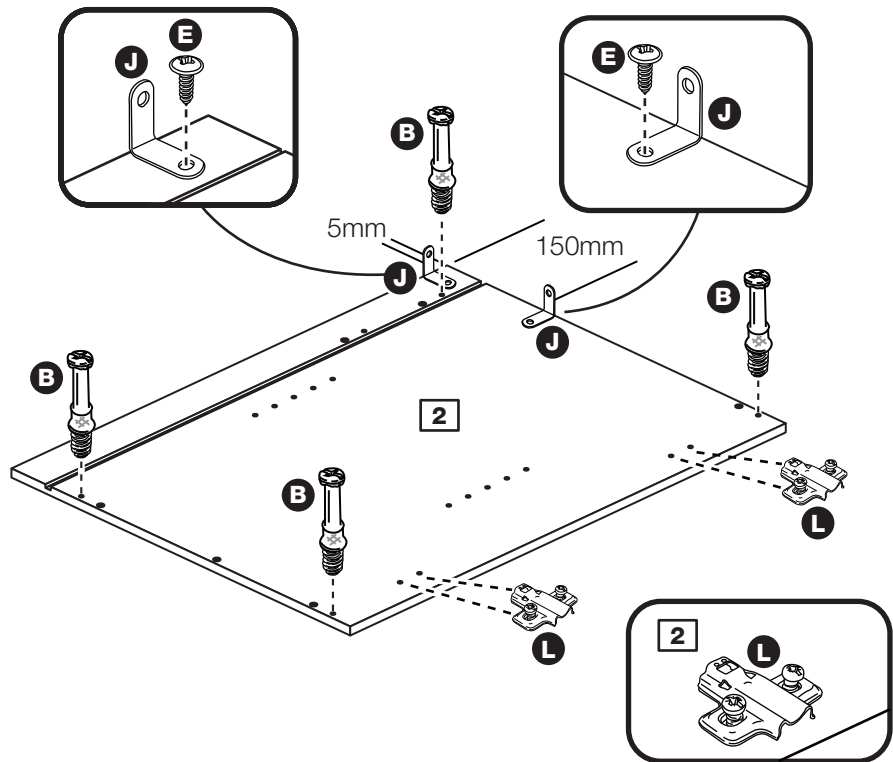
Screw 4 metal dowels **B** into the holes shown on the right side **2**.

Fit a bracket **J** flush to the top edge of the right side **2**, about 150mm in from the groove, see diagram.

Secure the bracket **J** using screw **E**.

Fit another bracket **J** flush to the back edge of the right side **2**, about 5mm down from the top edge, see diagram.

Secure the bracket **J** using screw **E**.



Step 4

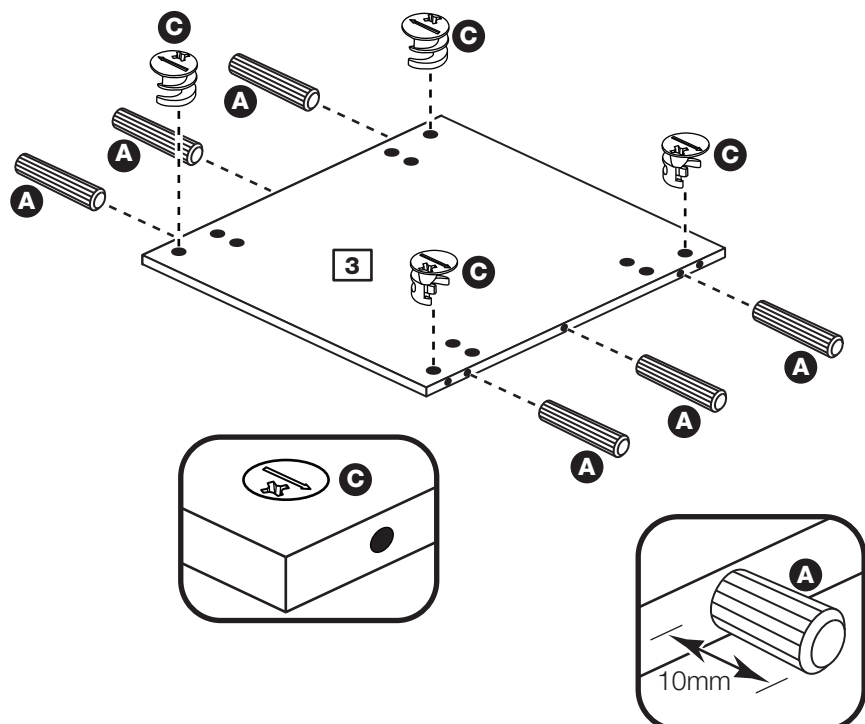
Prepare the base

Insert 4 large locking nuts **C** into the base **3** as shown.

Note: Arrow on locking nut **must** point towards hole in edge of panel.

Tap 6 wooden dowels **A** into the base **3** as shown.

Note: Wooden dowels **must not** stick out from the edge by more than 10mm or they may damage other panels.



Assembly Instructions

Step 5

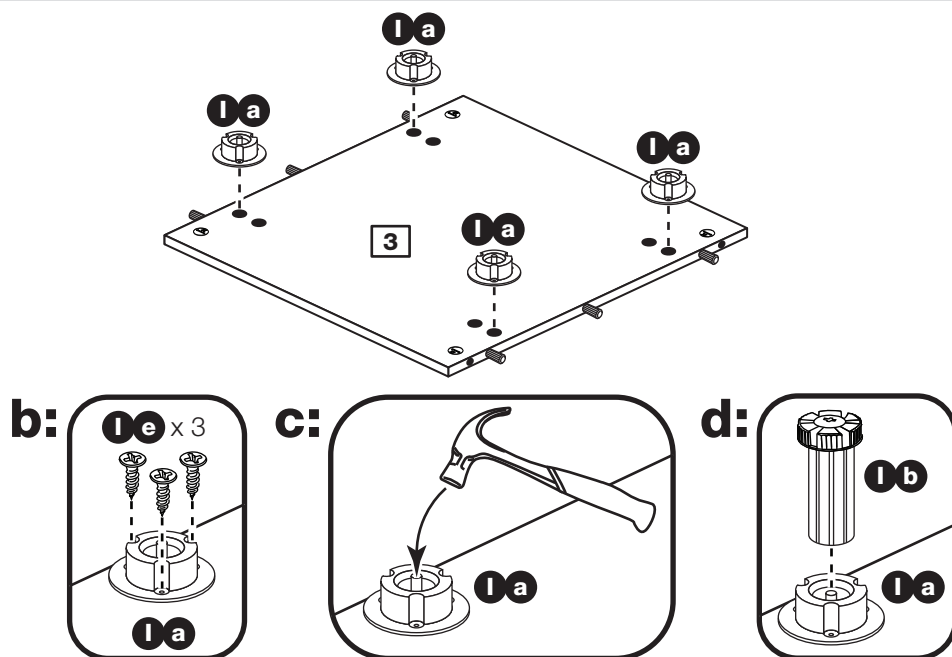
Fit the legs to the base

a: Push the leg sockets **1a** into the holes in the base **3** as shown.

b: Secure each leg socket **1a** with 3 screws **1e**.

c: Tap in the centre plug on each leg socket **1a**.

d: Push the leg **1b** into the leg socket **1a**.



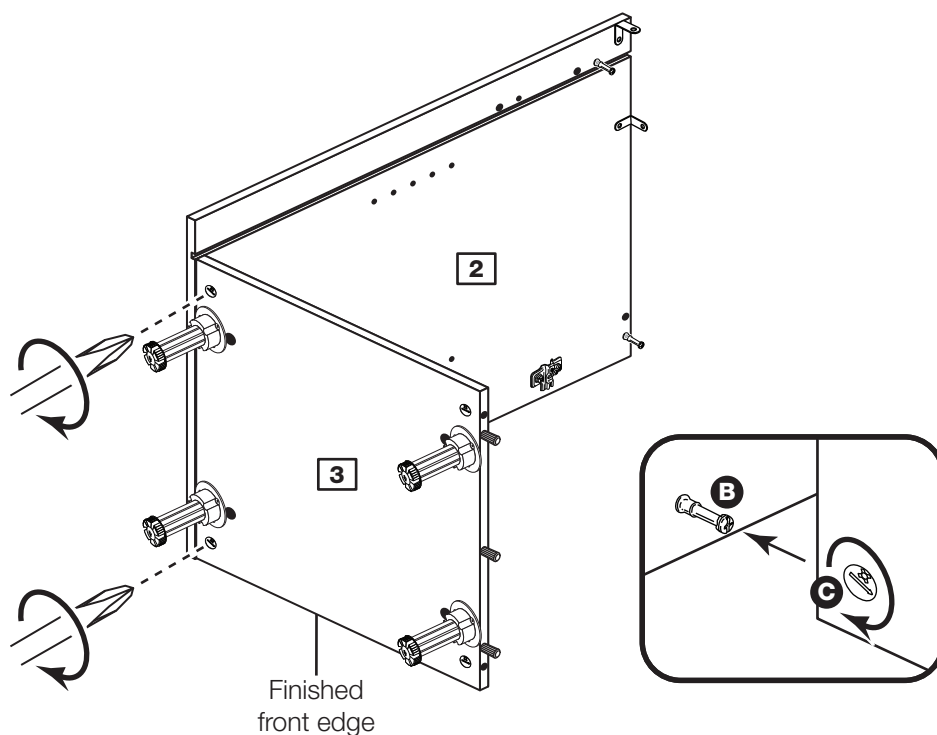
Step 6

Join the right side and base

Push the base **3** onto the right side **2**.

Use a screwdriver to tighten the 2 large locking nuts **C** fitted to the base **3**.

Note: Turn the large locking nuts **C** as far as they will go - more than 1/2 a turn.

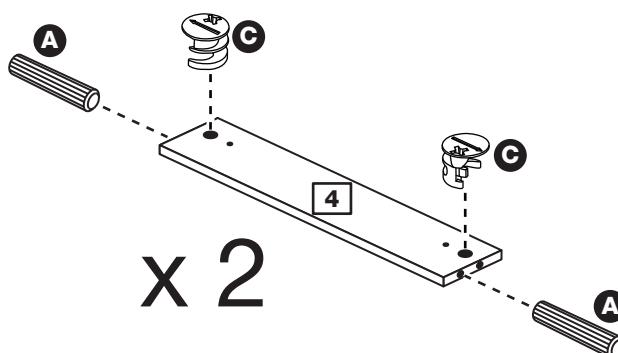


Step 7

Prepare the 2 cross rails

Insert 2 large locking nuts **C** into the cross rails **4** as shown.

Tap 2 wooden dowels **A** into the cross rails **4** as shown.



Assembly Instructions

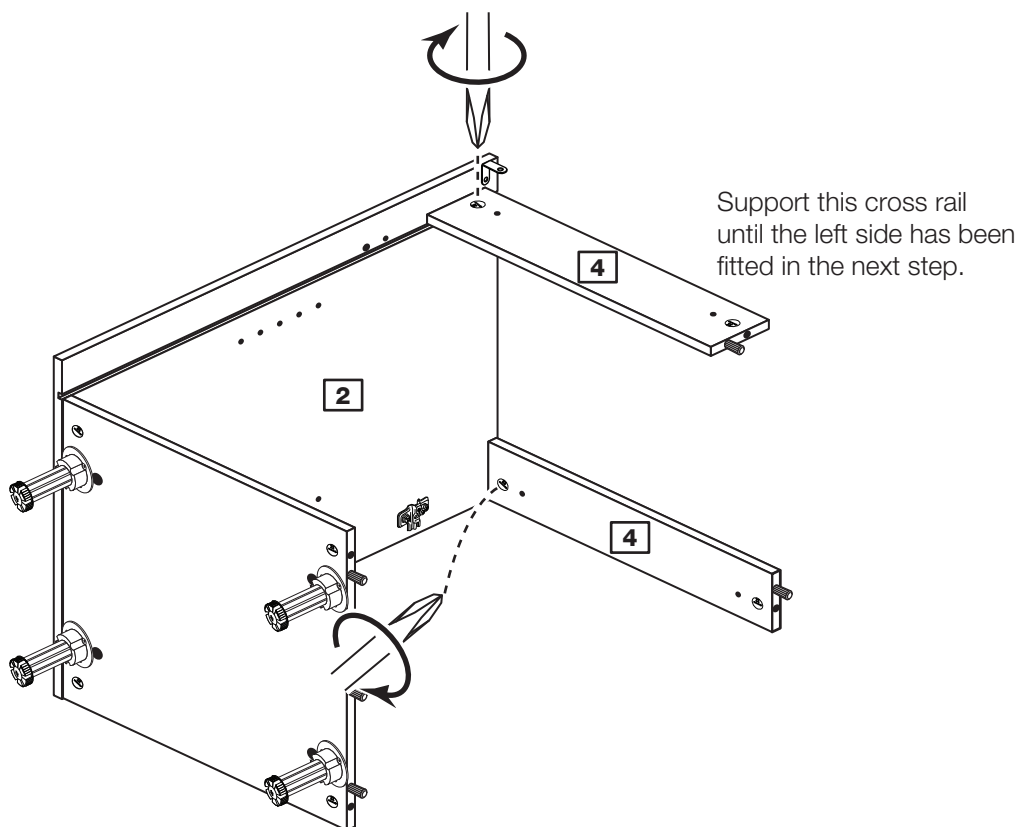
Step 8

Fit the 2 cross rails

Push each cross rail **4** onto the right side **2**.

Use a screwdriver to tighten the large locking nut **C** fitted to each cross rail **4**.

Note: Turn the large locking nuts **C** as far as they will go - more than 1/2 a turn.



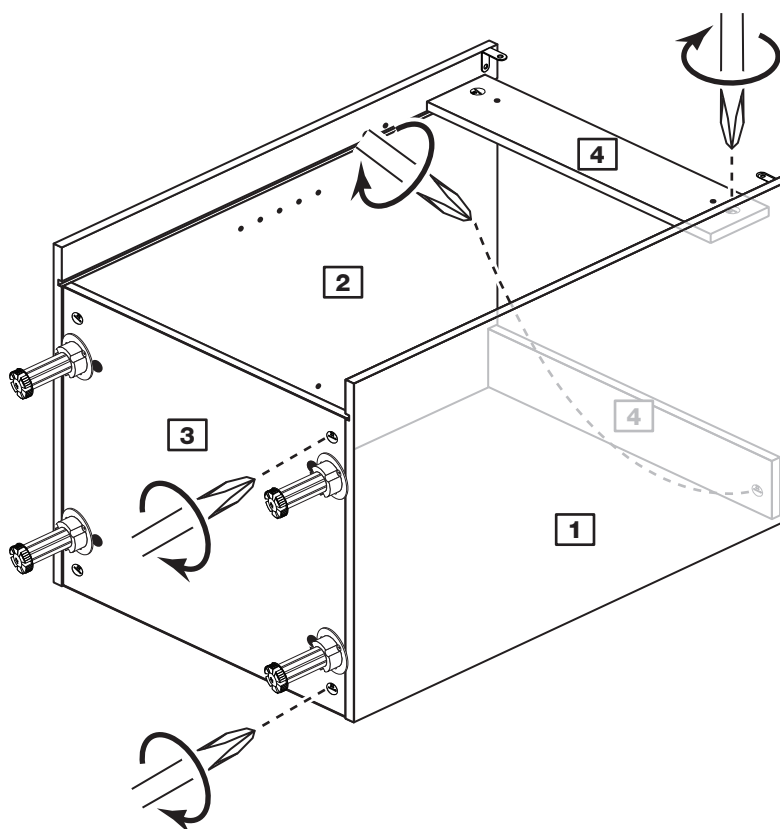
Step 9

Fit the left side

Push the left side **1** onto the assembly.

Use a screwdriver to tighten the large locking nut **C** fitted to the 2 cross rails **4** and the 2 fitted to the base **3**.

Note: Turn the large locking nuts **C** as far as they will go - more than 1/2 a turn.

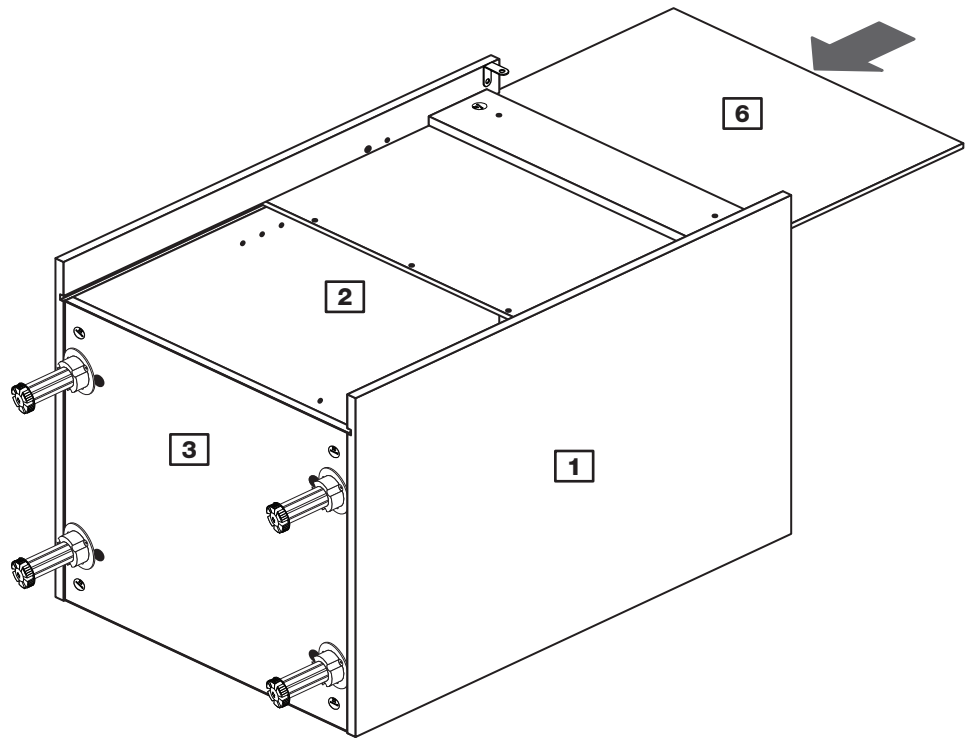


Assembly Instructions

Step 10

Fit the back

Slide the back **6** along the grooves in the side panels **1** and **2**.



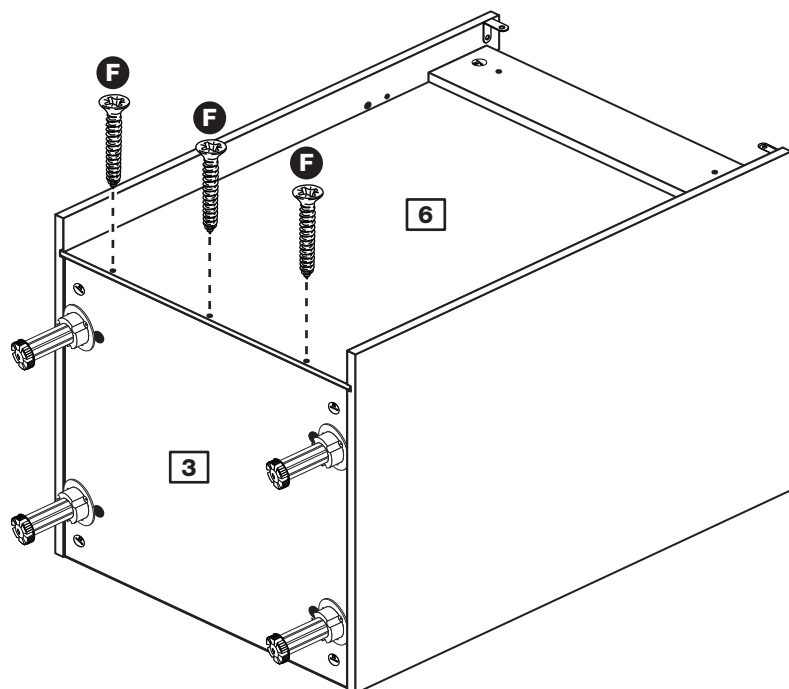
Step 11

Secure the back

The bottom edge of the back **6** must be flush with the bottom edge of the base **3**.

Secure the back **6** to the back edge of the base **3** using 3 screws **F**.

Stand the unit up for the next stage.



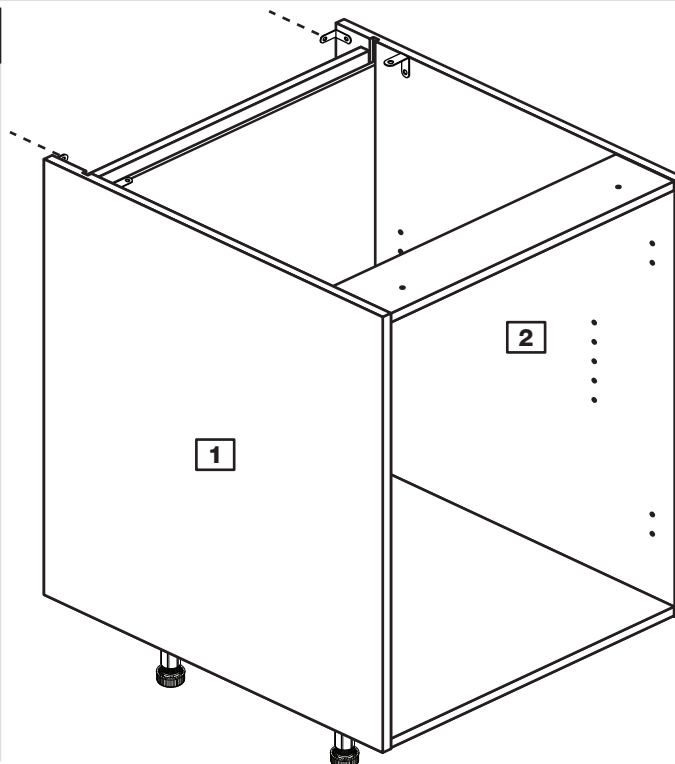
Assembly Instructions

Step 12

Secure the unit to the wall

Using the brackets **J** fitted to the back edge of the sides **1** and **2** screw the unit to the wall.

Fixings are not supplied as they will need to suit the wall type, and the length of screw will depend on the distance of the back of the unit to the wall.



Warning: Take care when drilling the wall that you do not drill into any pipes, wires etc. If in doubt, consult an expert.

Step 13

Joining units together

Fittings have been supplied so you are able to join units together.

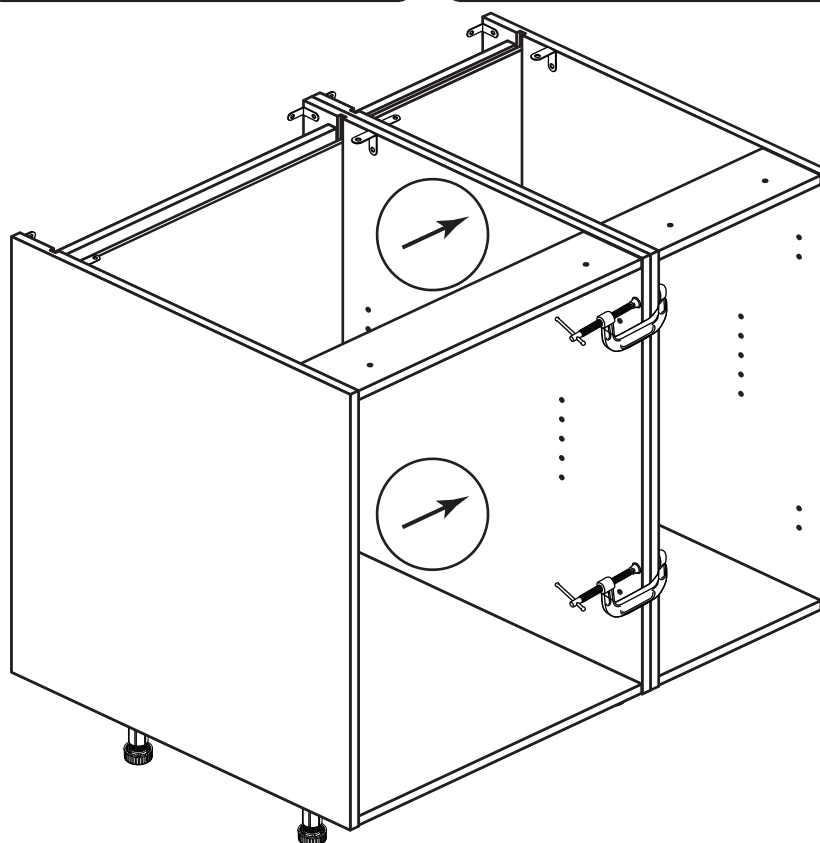
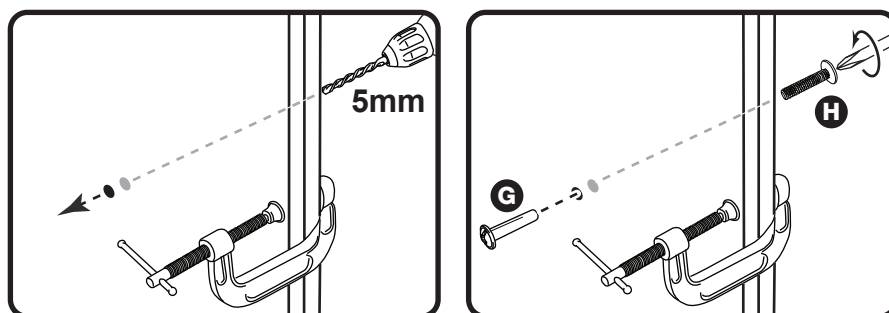
Make sure that your first unit is level.

Push the other unit up against first unit and ensure both units are level.

Check that the ends are flush and in line, then clamp them together.

Using a 5mm drill bit, drill 2 holes (approximate positions shown circled) in the side panel into the adjoining side panel of the other unit.

Push the connecting sleeves **G** into the holes and then screw the connecting bolts **H** in from the other side.



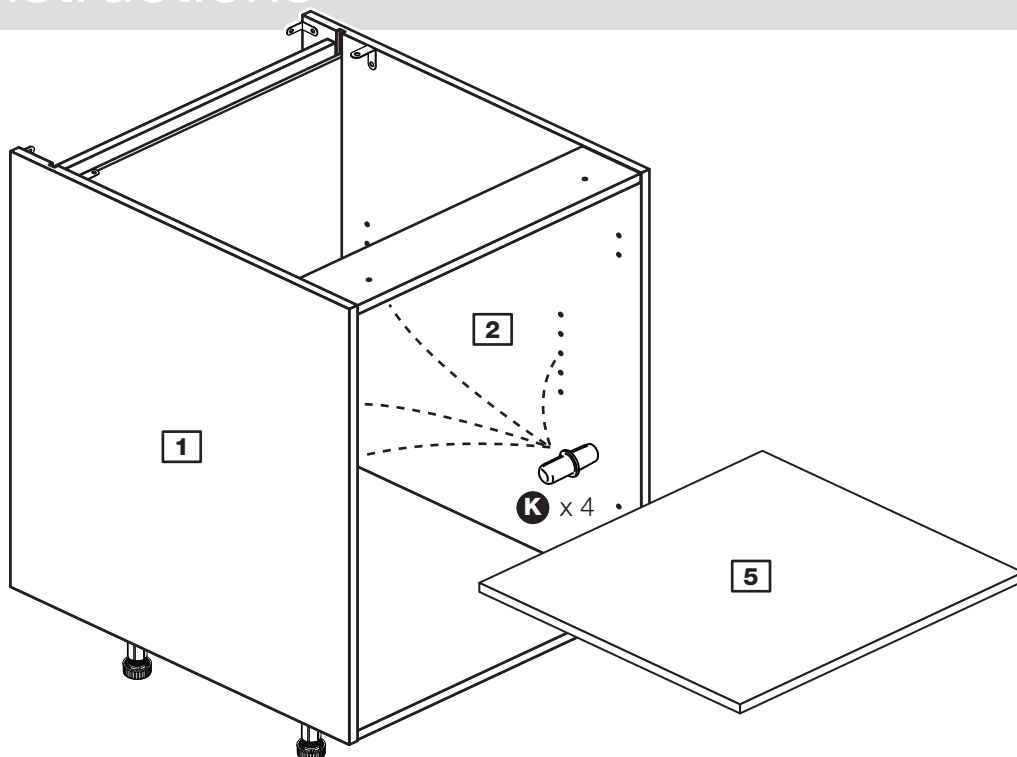
Assembly Instructions

Step 14

Fit the loose shelf

Insert 4 shelf studs **K** at the required height.

Lower the loose shelf **5** down onto the shelf studs **K**.

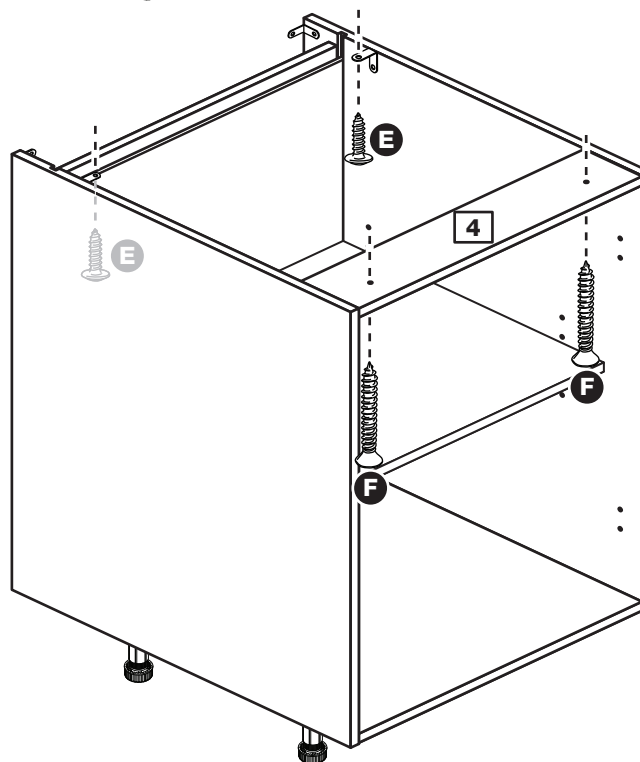


Step 15

Fit the unit to worktop

To fit the unit to the worktop use 2 screws **F** to screw up through the holes in the cross rail **4** as shown.

Then use 2 screws **E** to screw up through the brackets **J** as shown.



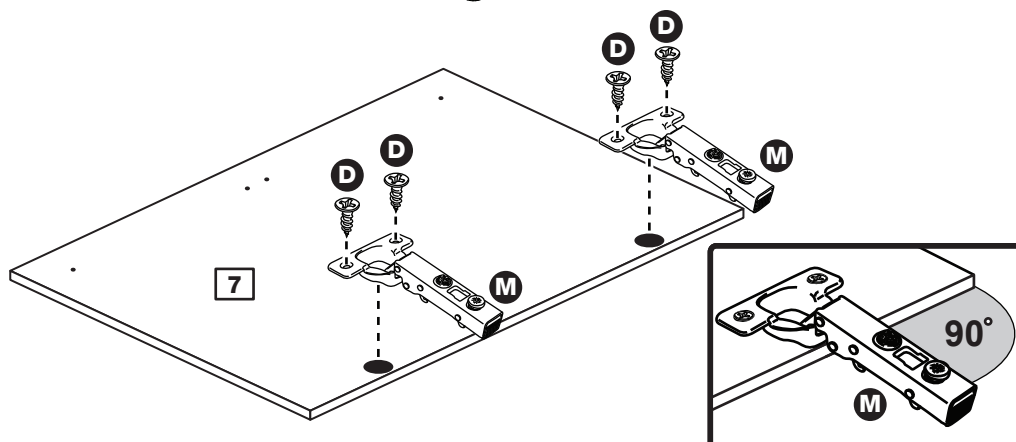
Step 16

Prepare the door

Push fit the 2 hinges **M** into the door **7**.

Secure each hinge with 2 screws **D**.

Note: Before securing with the screws, make sure that the hinges are positioned at 90 degrees with the front edge of the door.



Assembly Instructions

Step 17

Drill the handle holes in the door

Important: Please follow these instructions carefully.

Lay the door **7** down onto a smooth surface.

Important: Carefully choose which holes you need to drill. This will depend on which side you fitted the hinge plates **L**.

Check that the holes and hinges are in the same place as the diagrams.

Note: We recommend the use of a small piece of waste wood, placed behind the hole while drilling, to reduce the possibility of any breakout.

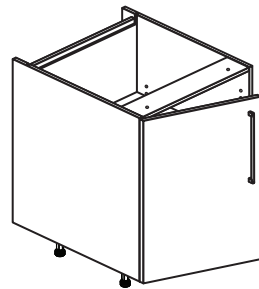
Using the pilot hole in the rear face of the door, **7** drill through the holes indicated opposite, using a 2.5mm diameter drill.

Turn the door **7** over and open out the 2.5mm holes that you have just drilled by drilling back through them with a 5mm drill.

Note: Drill bits are not provided.

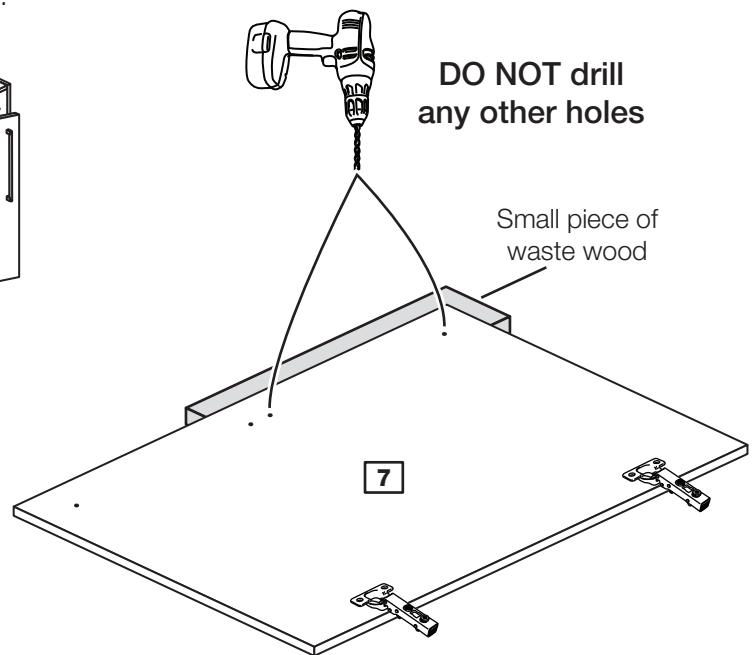
PLEASE FOLLOW THESE INSTRUCTIONS CAREFULLY TO CHOOSE WHICH 2 HOLES YOU WILL NEED TO DRILL

Drill these 2 holes if you have fitted the hinges to the left side.



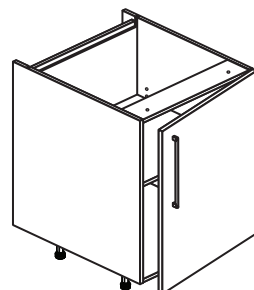
ONLY drill these 2 holes

DO NOT drill any other holes



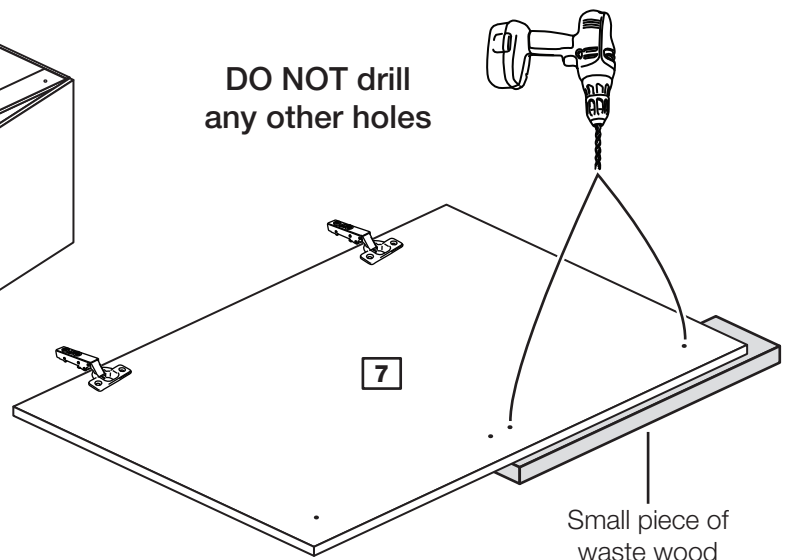
or

Drill these 2 holes if you have fitted the hinges to the right side.



ONLY drill these 2 holes

DO NOT drill any other holes



Assembly Instructions

Step 18

Fit door and handle

2 people are needed here

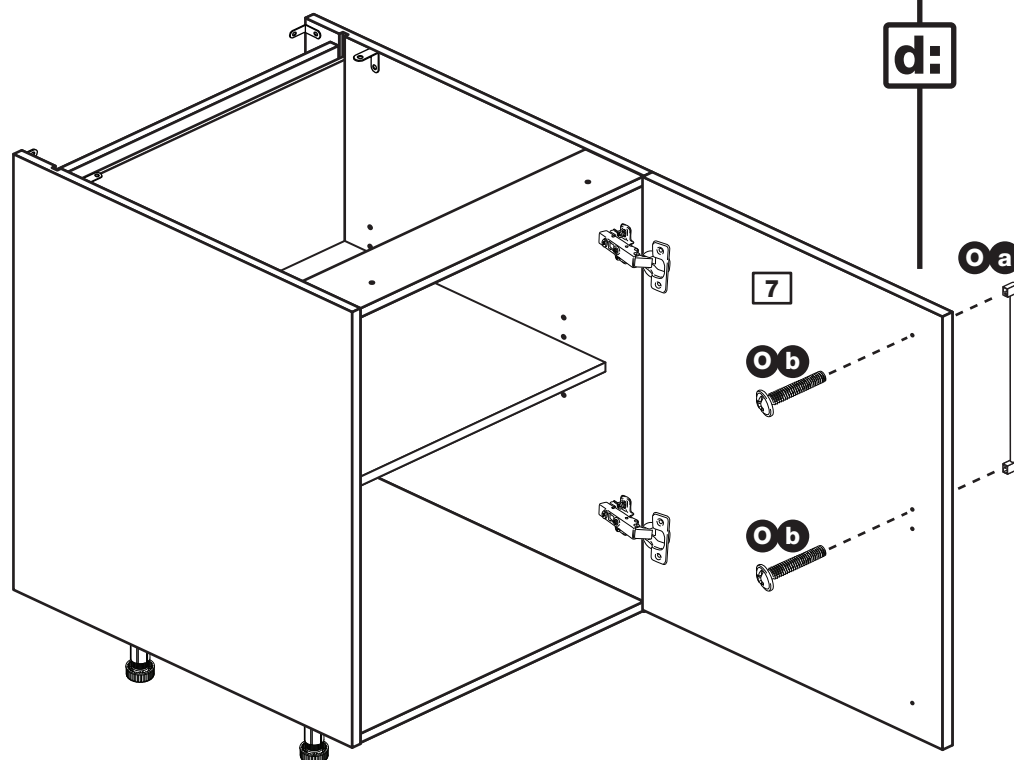
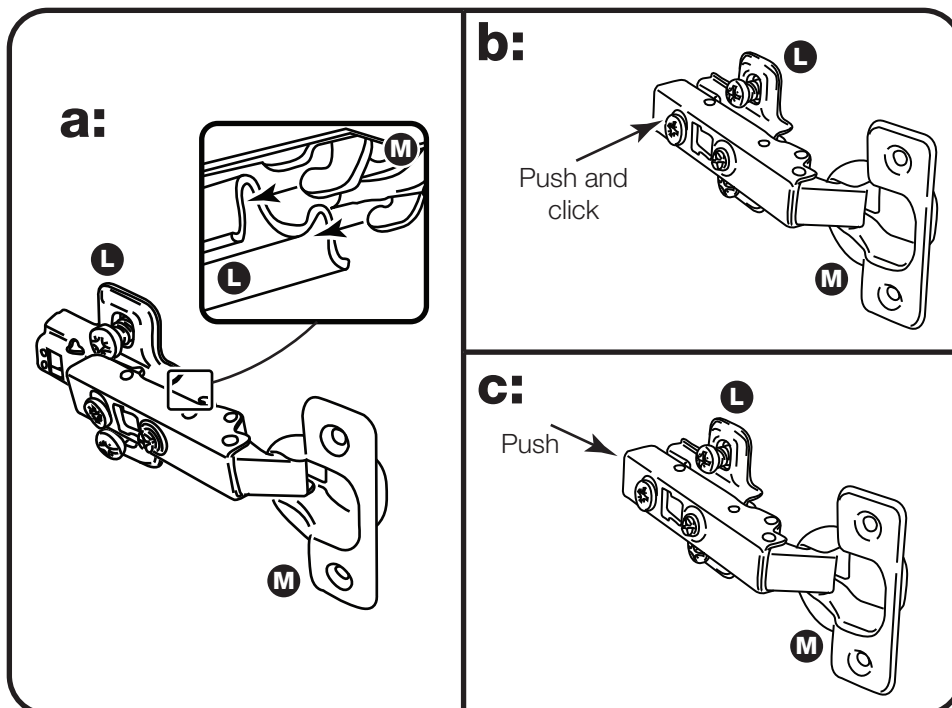
Note: The easiest way to attach the door **7** is to fit the top hinge first, then align and fit the other hinge.

a: Push the hooks on the hinge arm **M** underneath the front of the hinge plate **L**.

b: Press the front of the hinge arm **M** against the hinge plate **L** until it clicks into place.

c: If you need to separate the hinge arm **M** from the hinge plate, **L** press the button at the end of the hinge arm and lift it off of the hinge plate.

d: Attach the handle **Oa** to the door **7** using the 2 screws **O b** packed with it.



This shows the door being fitted to hinge plates on the right side. You may have fitted them to the left side.

Assembly Instructions

Step 19

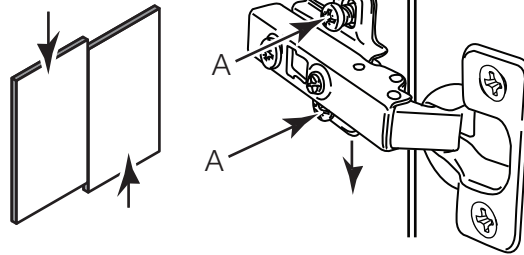
Adjust the door if needed

a: Height adjustment.

Loosen screws A on hinge plates and move door up or down as required.

Retighten screw A.

a:

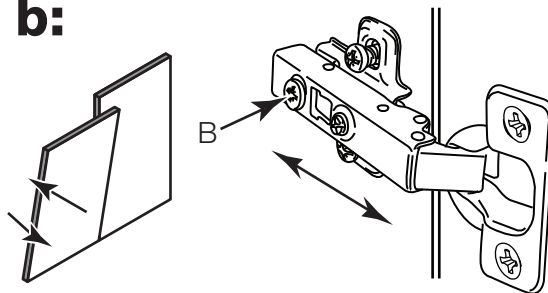


b: Forward and Back adjustment.

Loosen screw B on hinge arm and move door in or out as required.

Retighten screw B.

b:

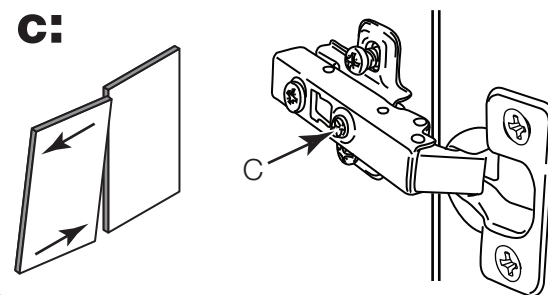


c: Sideways adjustment.

To move door 'out' loosen screw C.

To move door 'in' tighten screw C

c:

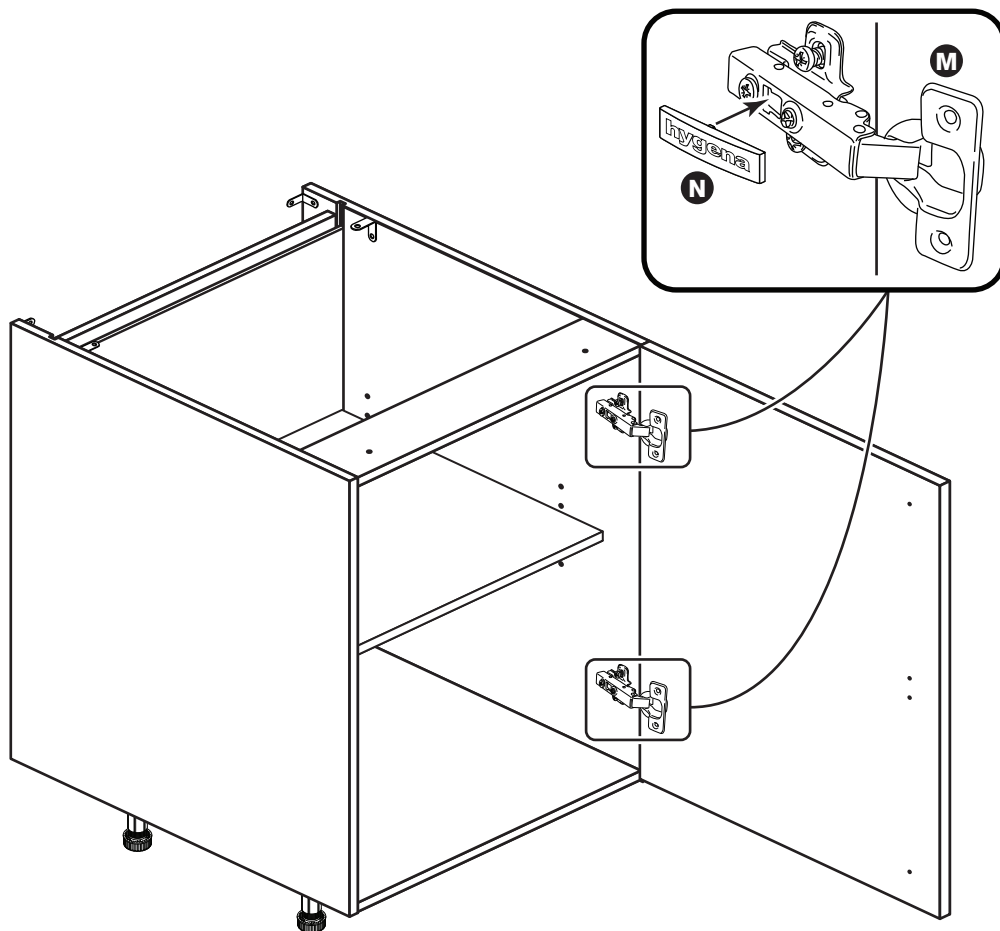


Assembly Instructions

Step 20

Fit the hinge covers

Push the hinge covers **N** onto the hinge arms **M**.



Step 21

Fit the plinth

After cutting the plinth to the required length, offer the plinth up to the unit and using a pencil, mark the position of the unit's legs **Ib** on the back of the plinth.

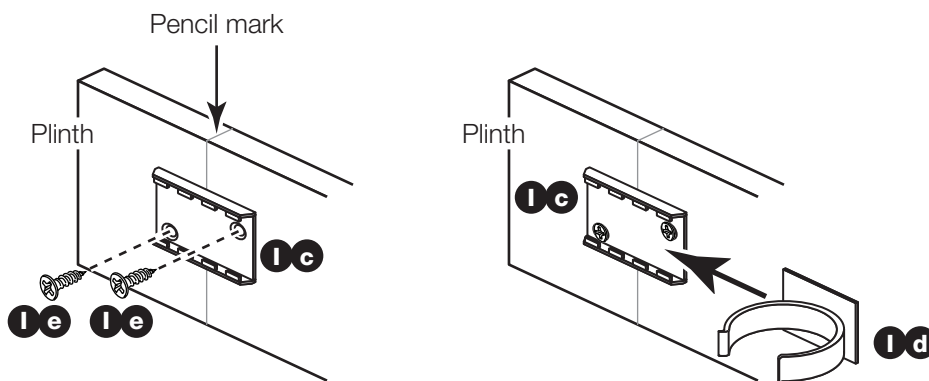
Position the leg bracket **Ic** so it is in the centre of the pencil mark and half way up the plinth.

Fix the leg bracket **Ic** to the back of the plinth using 2 screws **Ie**.

Slide the leg clip **Id** into the leg bracket **Ic**.

Offer the plinth up to the unit and push the leg clips **Id** onto the legs **Ib**.

Black Plinth Pack	608/2345
Cream Plinth Pack	608/2369
Oak Plinth Pack	205/5668
White Gloss Plinth Pack	608/2352
White HN Plinth Pack	198/9917



Assembly Instructions

Step 22

Fit other products to the unit

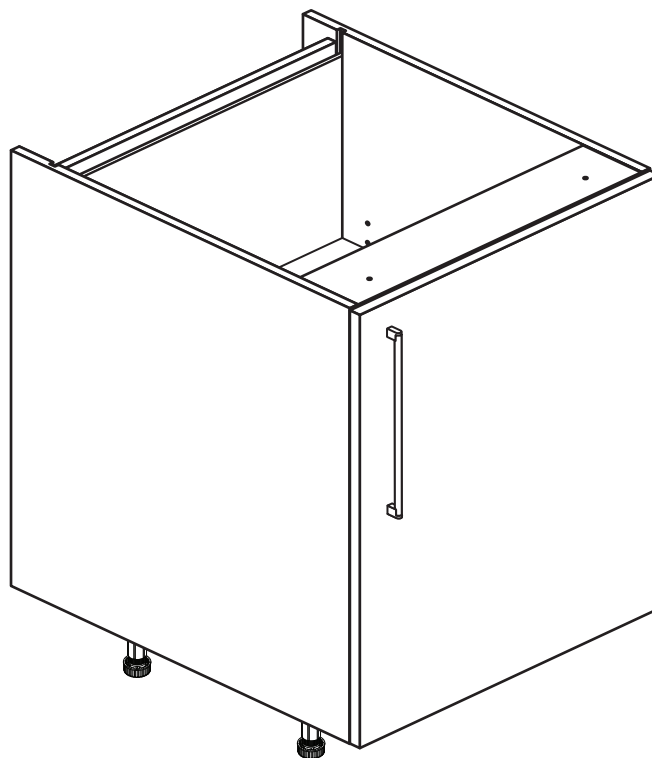
To fit other products to this unit e.g. worktops etc., please follow the instructions packed with them.

We recommend that you consult a qualified joiner or kitchen fitter.

Assembly is complete



Warning: The unit is heavy. Lift with care.



If you need help or have damaged or missing parts, call the **Customer Helpline: 08456 400800** and quote the reference numbers on the component pages.

Argos Ltd, 489-499 Avebury Boulevard, Central Milton Keynes, MK9 2NW