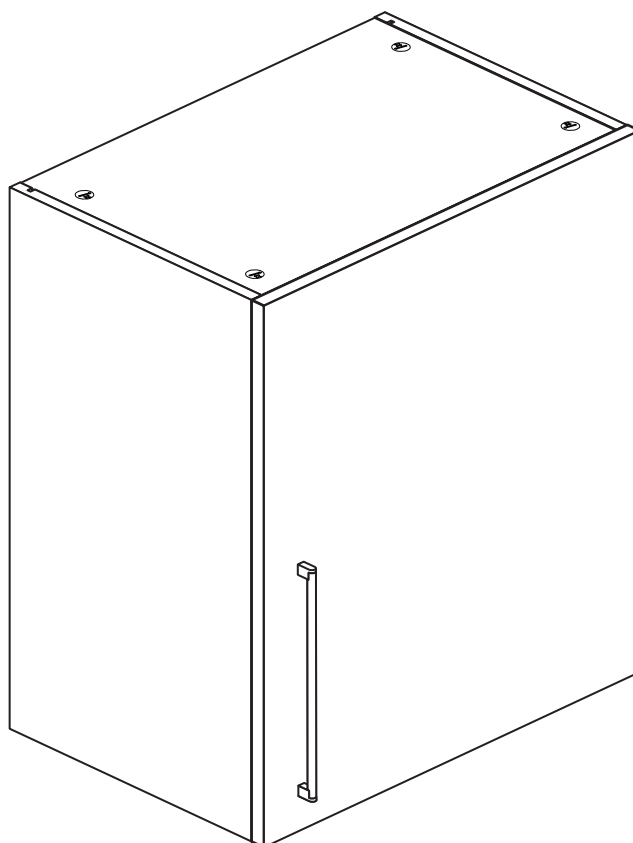


# Valencia - 500mm Wall Cabinet

Assembly Instructions - Please keep for future reference

**hygena**

Cabinet	656/5721
Black Door Pack	633/2882
Cream Door Pack	633/2710
Grey Door Pack	656/5295
Plum Door Pack	656/4540
White Door Pack	633/2806



## Dimensions

Width - 50cm

Depth - 34cm

Height - 72cm



**MADE IN  
BRITAIN**

**Important** - Please read these instructions fully before starting assembly

If you need help or have damaged or missing parts, call the **Customer Helpline: 08456 400800**



# Safety and Care Advice

**Important - Please read these instructions fully before starting assembly**

- **Warning:** This unit weighs approximately 10kgs. Please lift with care.
- Check you have all the components and tools listed on pages 1, 2 and 3.
- Remove all fittings from the plastic bags and separate them into their groups.
- Keep children and animals away from the work area, small parts could choke if swallowed.
- Parts of the assembly will be easier with 2 people.

- Make sure you have enough space to layout the parts before starting.
- Do not stand or put weight on the product, this could cause damage.
- Assemble the item as close to its final position (in the same room) as possible.
- Assemble on a soft level surface to avoid damaging the unit or your floor (use opened out unit carton).



• We do not recommend the use of power drill/drivers **for inserting screws**, as this could damage the unit. Only use hand screwdrivers.

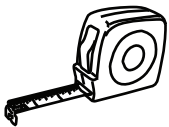
• **Safety note:** It is recommended that this unit is secured to a wall using the brackets supplied.

• Dispose of all packaging carefully and responsibly.

## Care and maintenance

- Only clean using a damp cloth and mild detergent, do not use bleach or abrasive cleaners.
- From time to time check that there are no loose screws on this unit.
- This product should not be discarded with household waste. Take to your local authority waste disposal centre.

## Tools required



Rule



Cross-head screwdriver



Scissors



Hammer



Eye protection (when using a hammer or drill)



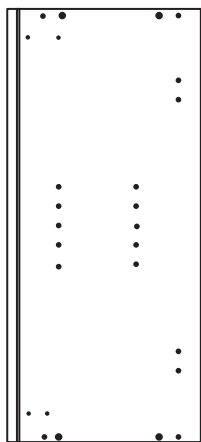
Electric drill

**Note:** If required the next page can be cut out and used as reference throughout the assembly. Keep this page with these instructions for future reference.

# Components - Panels

If you have damaged or missing components, call the **Customer Helpline: 08456 400800** quoting the reference numbers below

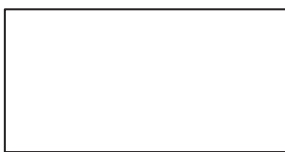
Please check you have all the panels listed below



**1** End Panel (DPF141A)  
(320 x 716 mm) x 2



**2** Top/Base Panel (DPF091A)  
(469 x 319 mm) x 2



**3** Loose Shelf (DPF092A)  
(468 x 236mm)



**4** Back Panel (DPF093A)  
(479 x 694 mm)



**5** Valencia Door (DPF147B)  
(497 x 716mm)

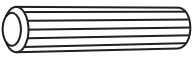
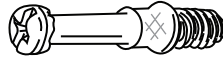


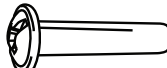


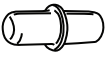

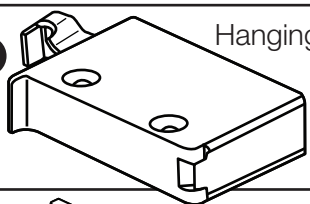
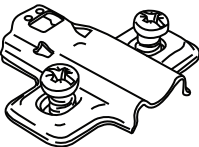
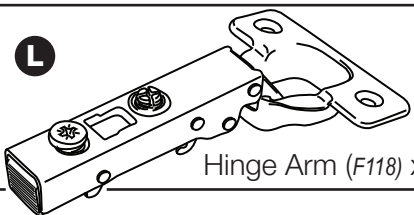
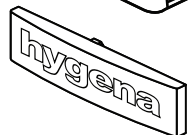
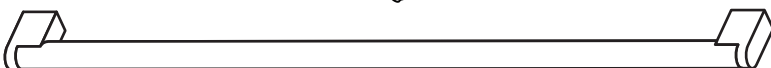



# Components - Fittings

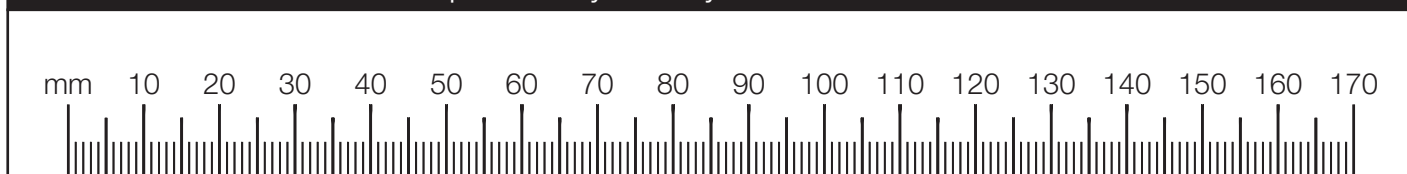
If you have damaged or missing components, call the  
**Customer Helpline: 08456 400800** quoting the reference  
 numbers below

Please check you have all the fittings listed below

**Note:** The quantities below are the correct amount to complete the assembly. In some cases more fittings may be supplied than are required.

<p><b>A</b> </p> <p>Wooden dowel (F22) x 8</p>	<p><b>B</b> </p> <p>Metal dowel (F901) x 8</p>	<p><b>C</b> </p> <p>Large locking nut (F900) x 8</p>
<p><b>D</b> </p> <p>13mm Screw (F63) x 4</p>	<p><b>E</b> </p> <p>Connecting Sleeve (F432) x 2</p>	<p><b>F</b> </p> <p>19mm Connecting bolt (F461) x 2</p>
<p><b>G</b> </p> <p>25mm Screw (F50) x 4</p>	<p><b>H</b> </p> <p>Shelf support (F110) x 4</p>	<p><b>I</b> </p> <p>Wall bracket (F198) x 2</p>
<p><b>J</b> </p> <p>Hanging bracket (F849) x 2</p>	<p><b>K</b> </p> <p>Hinge Plate (F117) x 2</p>	<p><b>L</b> </p> <p>Hinge Arm (F118) x 2</p>
<p><b>M</b> </p> <p>Hinge Cover (F119) x 2</p>	<p><b>Na</b> </p> <p>Handle (F214) x 1</p>	
<p><b>Nb</b> </p> <p>25mm Screw (F132) x 2</p>		

Ruler - Use this ruler to help correctly identify the screws



# Assembly Instructions

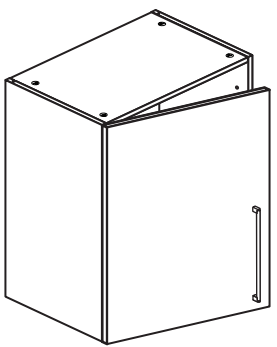
If you have damaged or missing components, call the **Customer Helpline: 08456 400800** quoting the reference numbers below

## Step 1

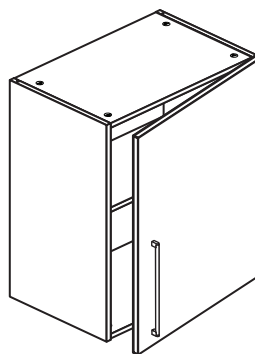
### Choose which way you would like the door to open

You can fit the door to the left side or right side.

If you would like your door to open this way, fit the hinge plates to the left end panel



If you would like your door to open this way, fit the hinge plates to the right end panel



## Step 2

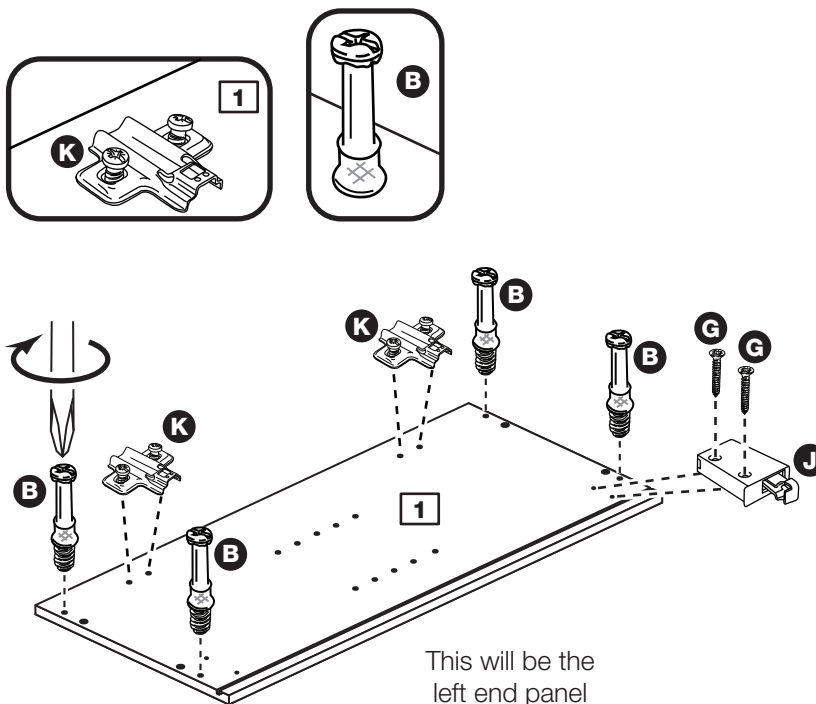
### Prepare the left end panel

Refer to step 1 and, if required, fit 2 hinge plates **K** onto the left end panel **1**, orientated as shown.

Screw 4 metal dowels **B** into the holes shown on the left end panel **1**.

**Note:** Tighten metal dowels up fully against the panels.

Fit a hanging bracket **J** to the left side **1** using 2 screws **G**, making sure that the hook is towards the back edge.



# Assembly Instructions

## Step 3

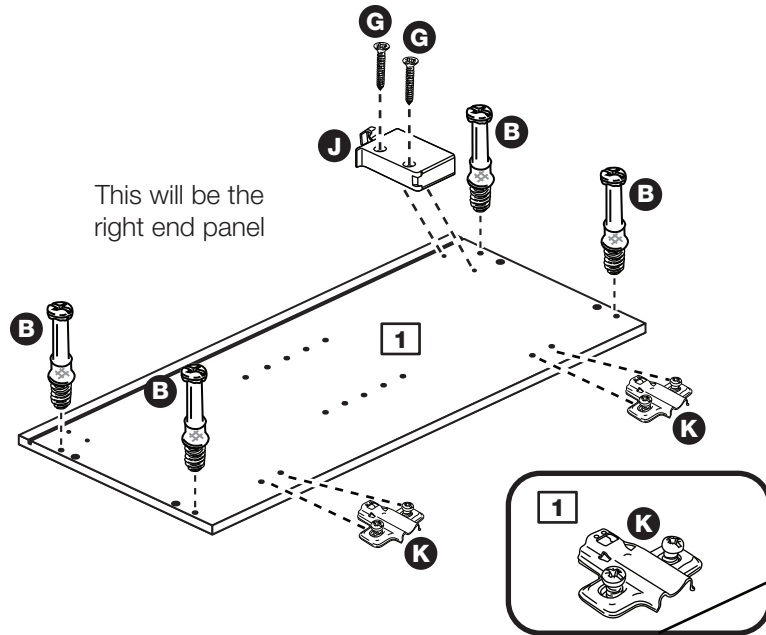
### Prepare the right end panel

Refer to step 1 and, if **required**, fit 2 hinge plates **K** onto the right end panel **1**, orientated as shown.

Screw 4 metal dowels **B** into the holes shown on the right end panel **1**.

**Note:** Tighten metal dowels up fully against the panels.

Fit a hanging bracket **J** to the right side **1** using 2 screws **G**, making sure that the hook is towards the back edge.



## Step 4

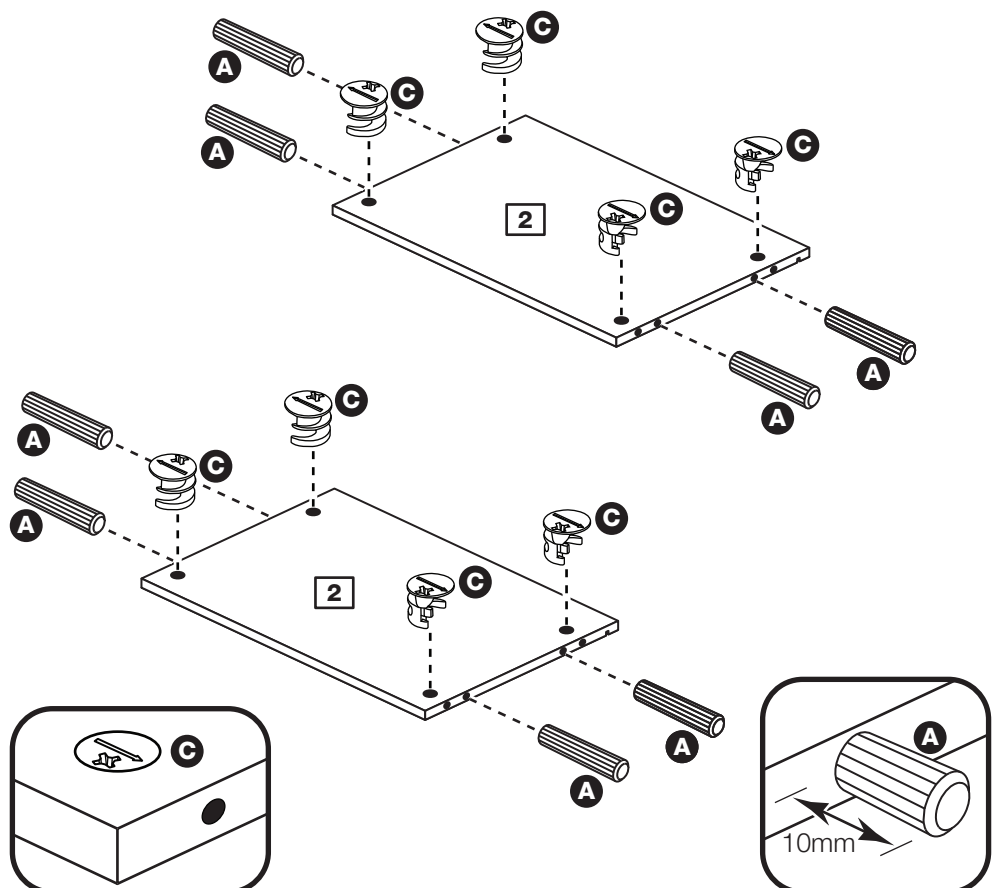
### Prepare the base and top

Insert 4 large locking nuts **C** into the base and top **2** as shown.

**Note:** Arrow on locking nut **must** point towards hole in edge of panel.

Tap 4 wooden dowels **A** into the base and top **2** as shown.

**Note:** Wooden dowels **must not** stick out from the edge by more than 10mm or they may damage other panels.



# Assembly Instructions

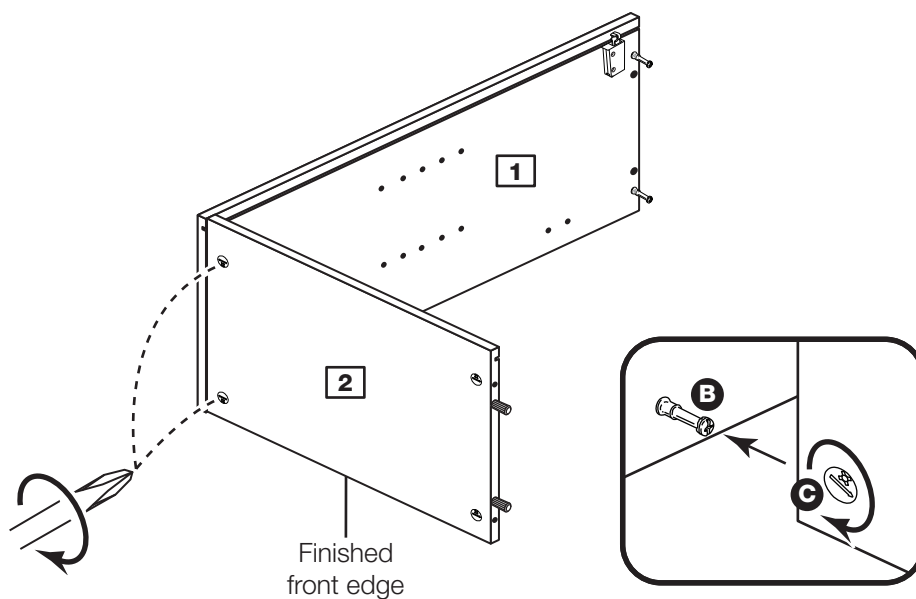
## Step 5

### Join the right side and base

Push the base **2** onto the right end panel **1**.

Use a screwdriver to tighten the 2 large locking nuts **C** fitted to the base **2**.

**Note:** Turn the large locking nuts **C** as far as they will go - more than 1/2 a turn.



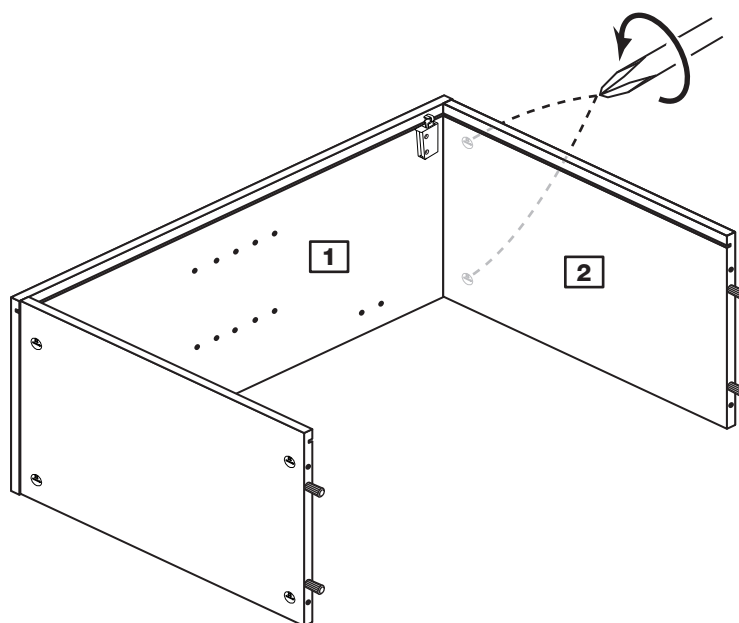
## Step 6

### Fit the top

Push the top **2** onto the right end panel **1**.

Use a screwdriver to tighten the 2 large locking nuts **C** fitted to the top **2**.

**Note:** Turn the large locking nuts **C** as far as they will go - more than 1/2 a turn.



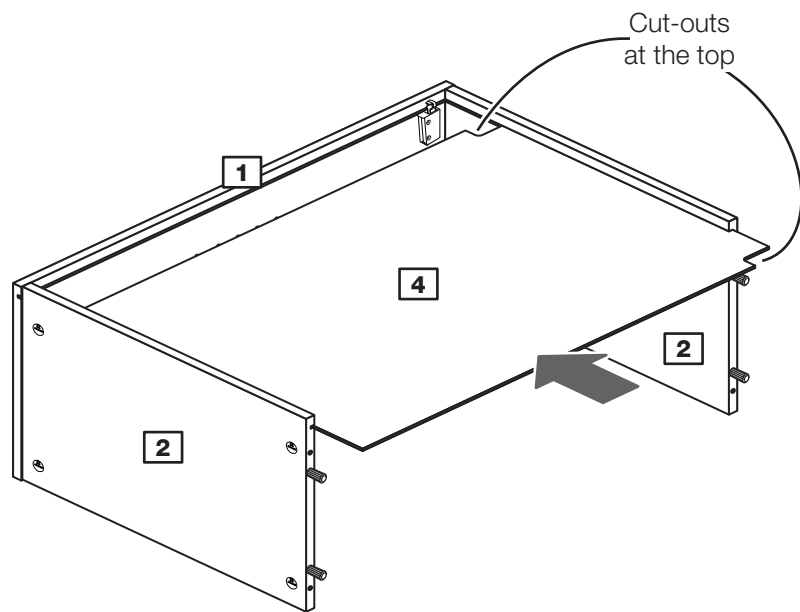
# Assembly Instructions

## Step 7

### Fit the back

Slide the back **4** along the grooves in the top **2** and base **2** and into the groove of the right end panel **1**.

**Important:** Make sure that the cut-outs on the back **4** are at the top of the assembly.



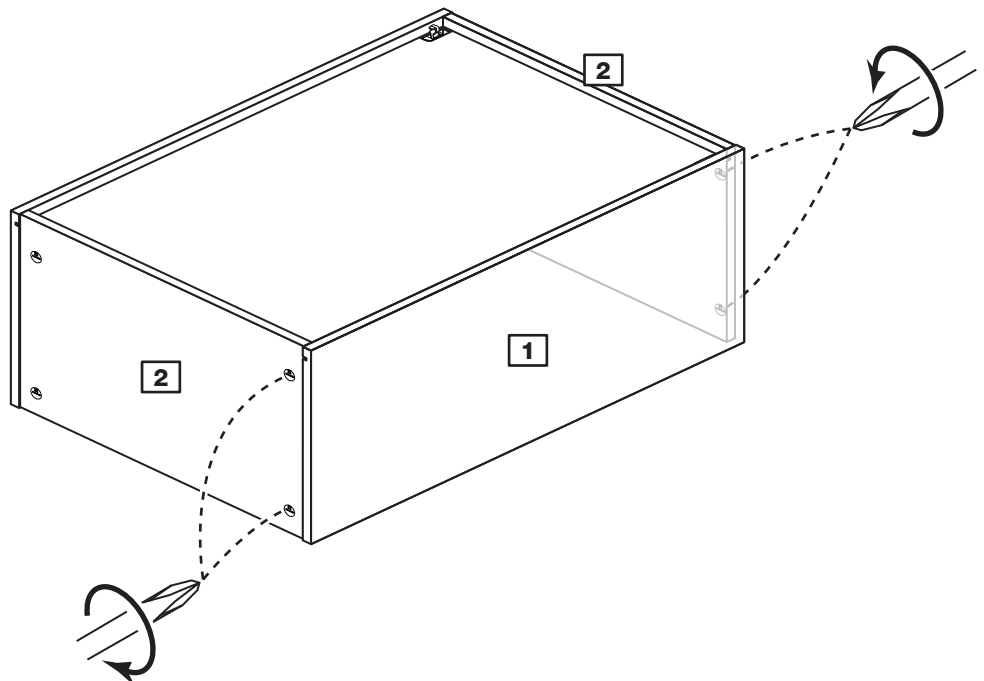
## Step 8

### Fit the left end panel

Push left end panel **1** onto the assembly.

Use a screwdriver to tighten the 4 large locking nuts **C** fitted to the base **2** and top **2**.

**Note:** Turn the large locking nuts **C** as far as they will go - more than 1/2 a turn.





# Assembly Instructions

## Step 9

### Fit the unit to the wall

If you are joining this unit to another one, also refer to step 10.

To fix the unit to the wall, place the unit in the required position and lightly mark the outline of the top corners of the unit with a pencil.

Fit the 2 wall brackets **I** to the dimensions shown in the top diagram. The screws and plugs are not supplied as they need to be the correct type to suit your wall.

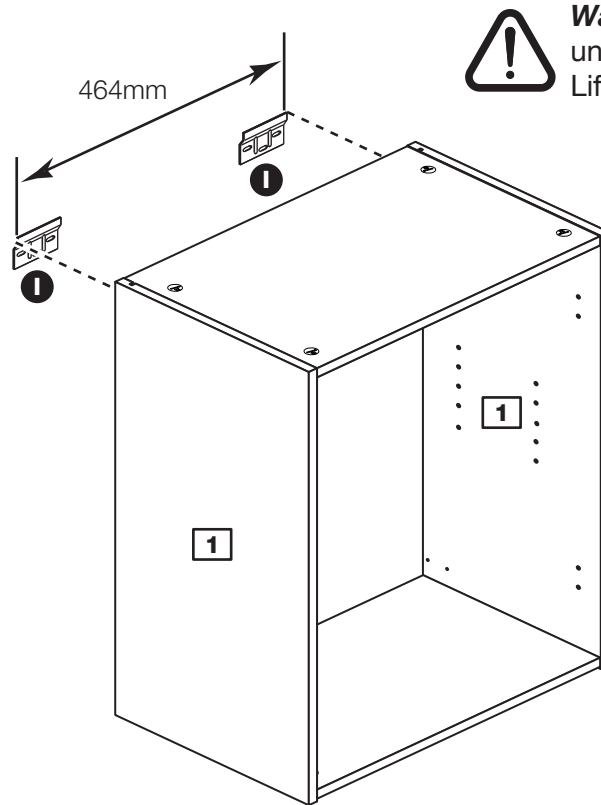
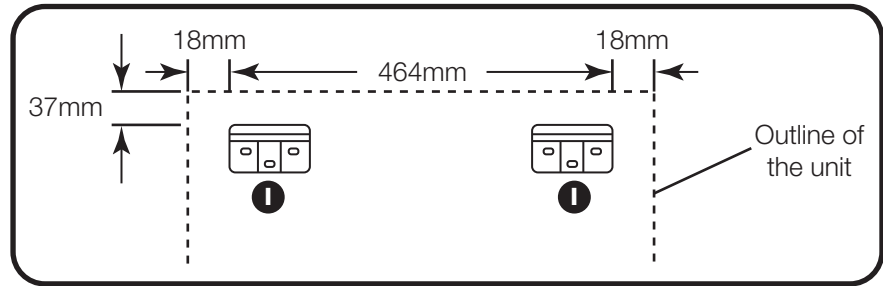


**Warning:** Take care when drilling the wall that you do not drill into any pipes, wires etc. If in doubt, consult an expert.

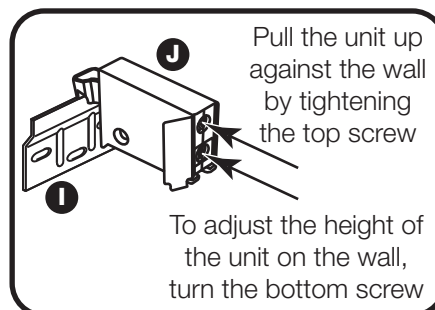
Place your unit onto the wall brackets **I**, via the hanging brackets **J** which you have fitted to the sides **1** of the unit.

Use the screw in the bottom of the wall brackets **J** to adjust the height of the unit.

Finally, pull the unit up against the wall by tightening up the top screw in the hanging brackets **J**.



**Warning:** The unit is heavy. Lift with care.



# Assembly Instructions

## Step 10

### Joining units together

Fittings have been supplied so you are able to join units together.

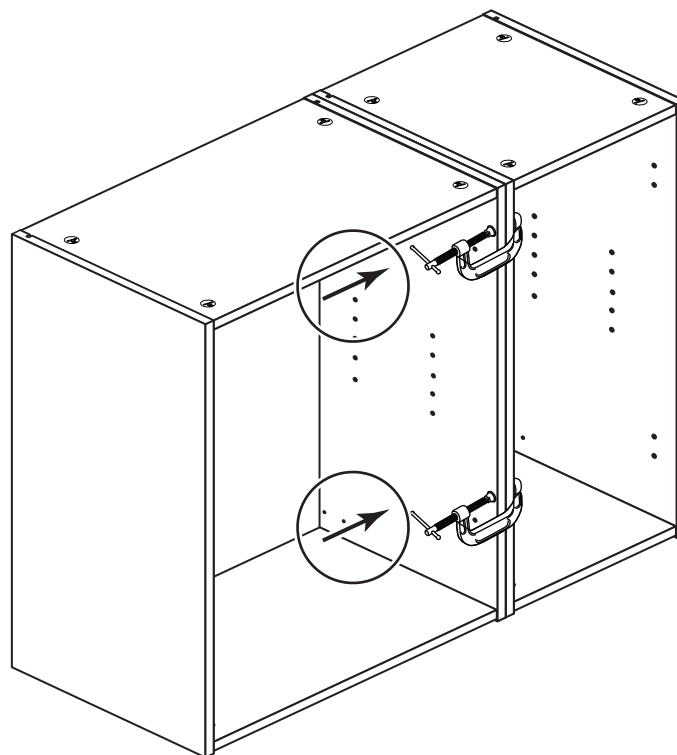
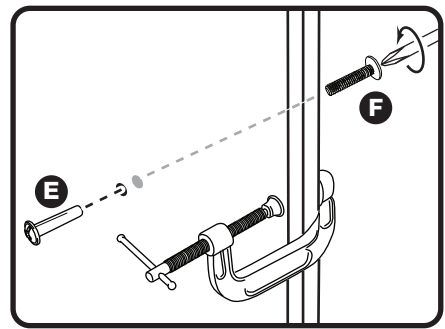
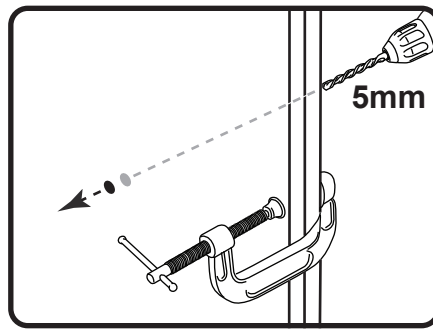
Make sure that your first unit is level.

Push the other unit up against first unit and ensure both units are level.

Check that the ends are flush and in line, then clamp them together.

Using a 5mm drill bit, drill 2 holes (approximate positions shown circled) in the side panel into the adjoining side panel of the other unit.

Push the connecting sleeves **E** into the holes and then screw the connecting bolts **F** in from the other side.



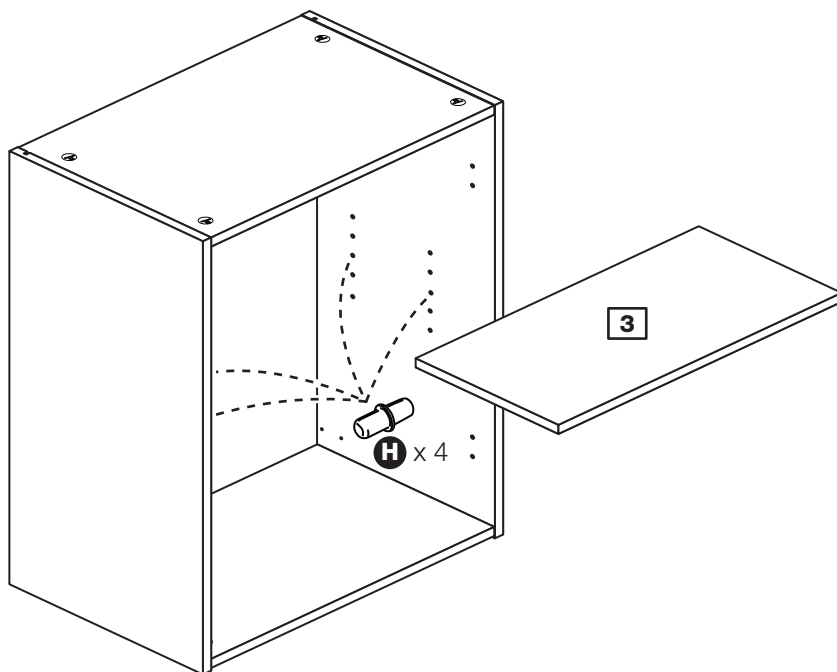
# Assembly Instructions

## Step 11

### Fit the loose shelf

Insert 4 shelf studs **H** at the required height.

Lower the loose shelf **3** down onto the shelf studs **H**.



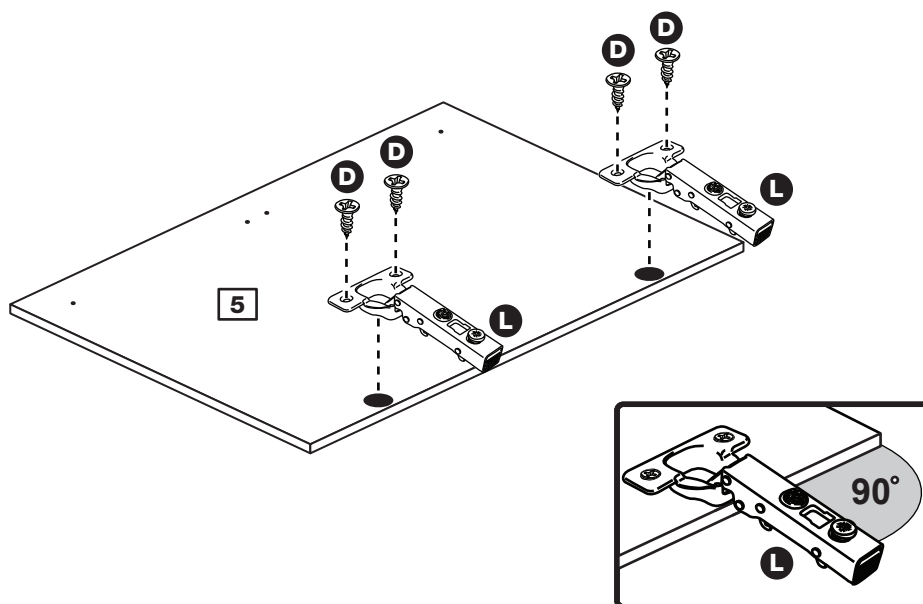
## Step 12

### Prepare the door

Push fit the 2 hinges **L** into the door **5**.

Secure each hinge with 2 screws **D**.

**Note:** Before securing with the screws, make sure that the hinges are positioned at 90 degrees with the front edge of the door.



# Assembly Instructions

## Step 13

### Drill the handle holes in the door

**Important:** Please follow these instructions carefully.

Lay the door **5** down onto a smooth surface.

**Important:** Carefully choose which holes you need to drill. This will depend on which side you fitted the hinge plates **K**.

Check that the holes and hinges are in the same place as the diagrams.

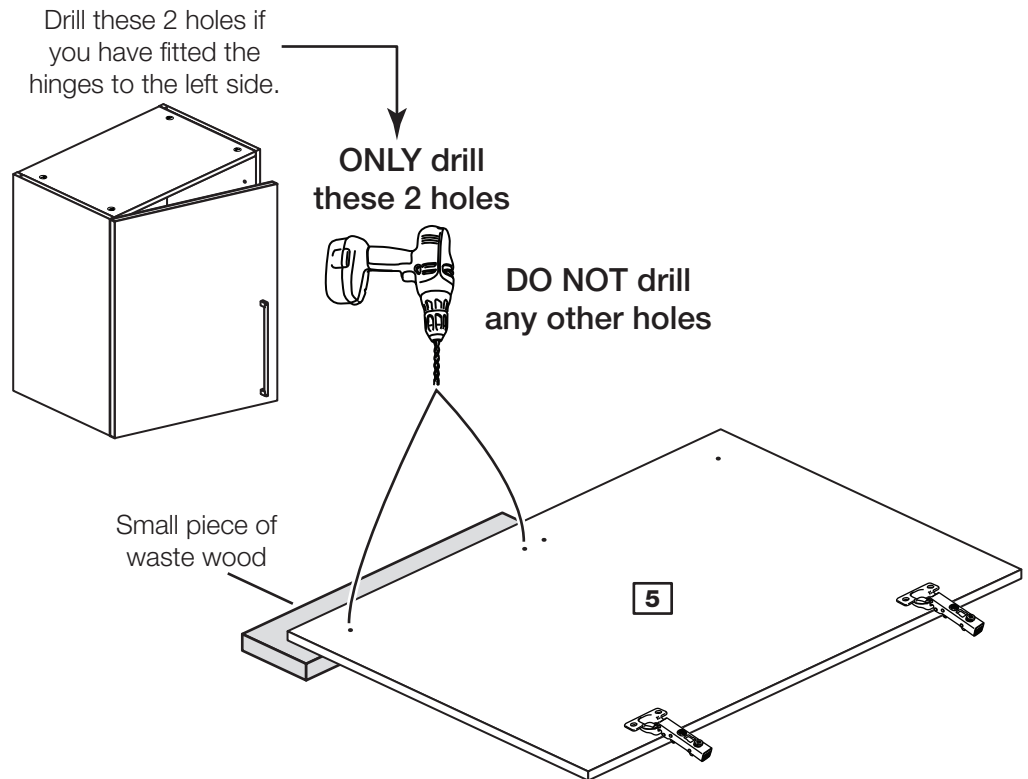
**Note:** We recommend the use of a small piece of waste wood, placed behind the hole while drilling, to reduce the possibility of any breakout.

Using the pilot hole in the rear face of the door, **5** drill through the holes indicated opposite, using a 2.5mm diameter drill.

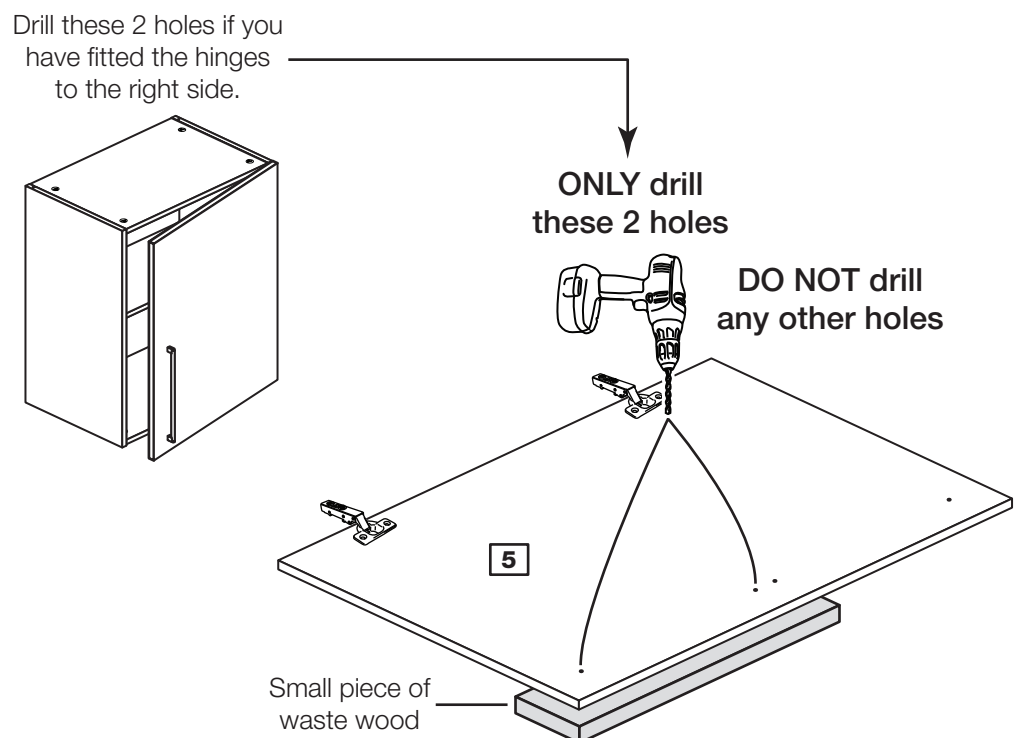
Turn the door **5** over and open out the 2.5mm holes that you have just drilled by drilling back through them with a 5mm drill.

**Note:** Drill bits are not provided.

PLEASE FOLLOW THESE INSTRUCTIONS CAREFULLY TO CHOOSE WHICH 2 HOLES YOU WILL NEED TO DRILL



or



# Assembly Instructions

## Step 14

### Fit door and handle

**2 people are needed here**

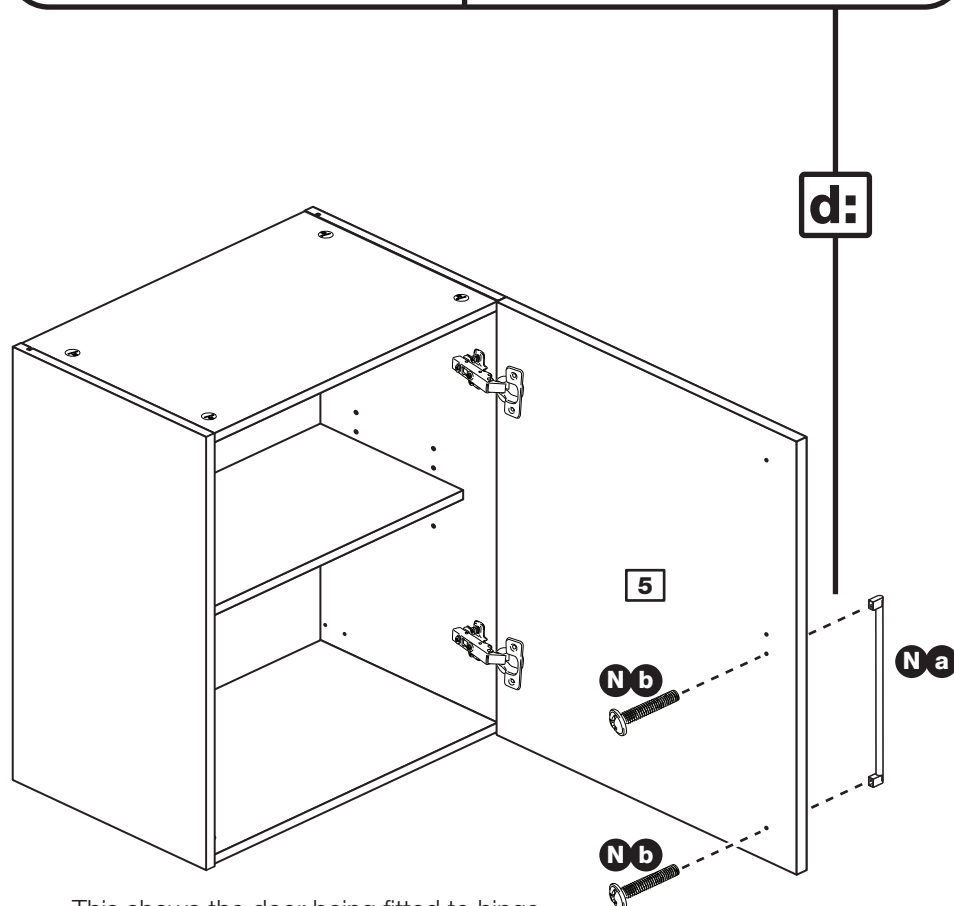
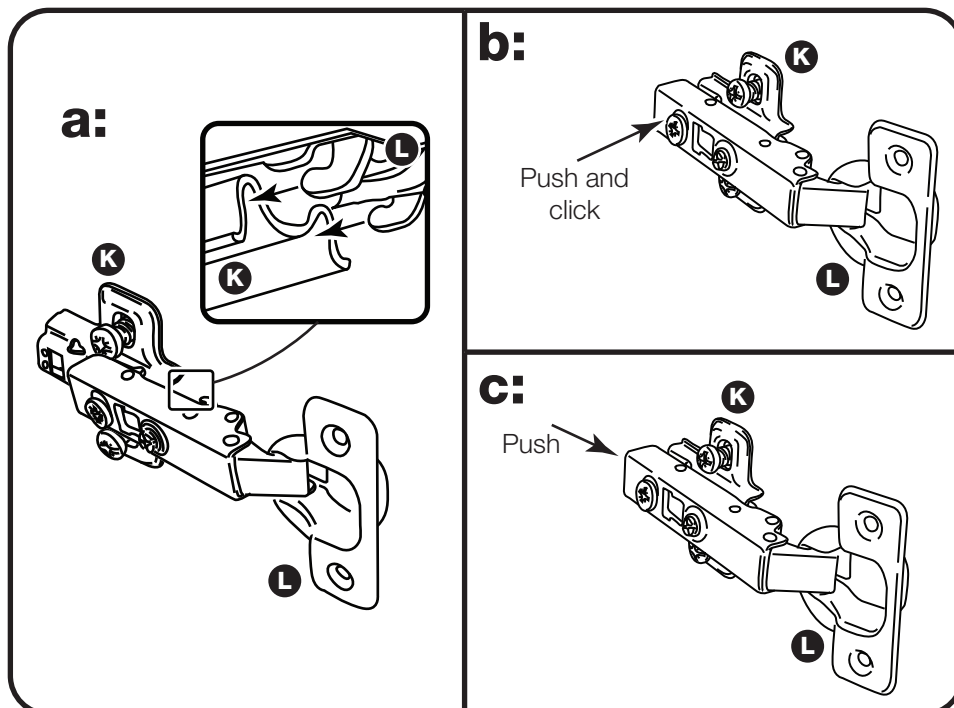
**Note:** The easiest way to attach the door **5** is to fit the top hinge first, then align and fit the other hinge.

**a:** Push the hooks on the hinge arm **L** underneath the front of the hinge plate **K**.

**b:** Press the front of the hinge arm **L** against the hinge plate **K** until it clicks into place.

**c:** If you need to separate the hinge arm **L** from the hinge plate, **K** press the button at the end of the hinge arm and lift it off of the hinge plate.

**d:** Attach the handle **Na** to the door **5** using the 2 screws **Nb** packed with it.



This shows the door being fitted to hinge plates on the right side. You may have fitted them to the left side.

# Assembly Instructions

## Step 15

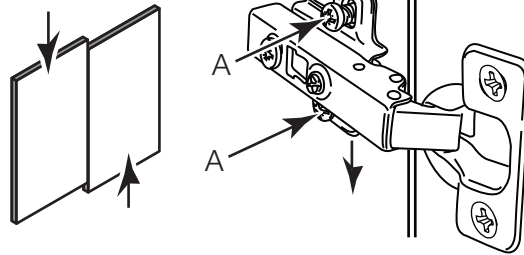
### Adjust the door if needed

#### **a: Height adjustment.**

Loosen screws A on hinge plates and move door up or down as required.

Retighten screw A.

**a:**

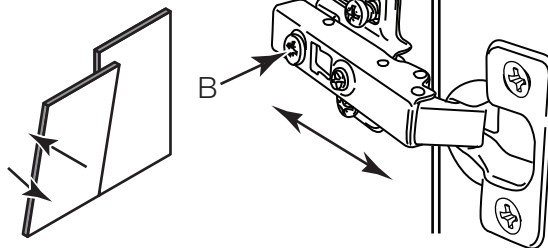


#### **b: Forward and Back adjustment.**

Loosen screw B on hinge arm and move door in or out as required.

Retighten screw B.

**b:**

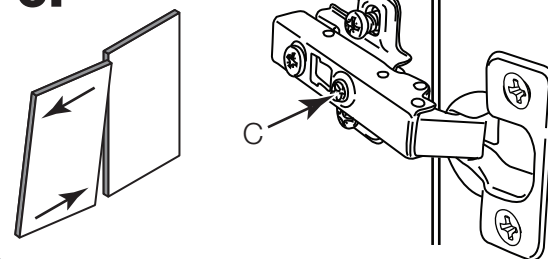


#### **c: Sideways adjustment.**

To move door 'out' loosen screw C.

To move door 'in' tighten screw C

**c:**

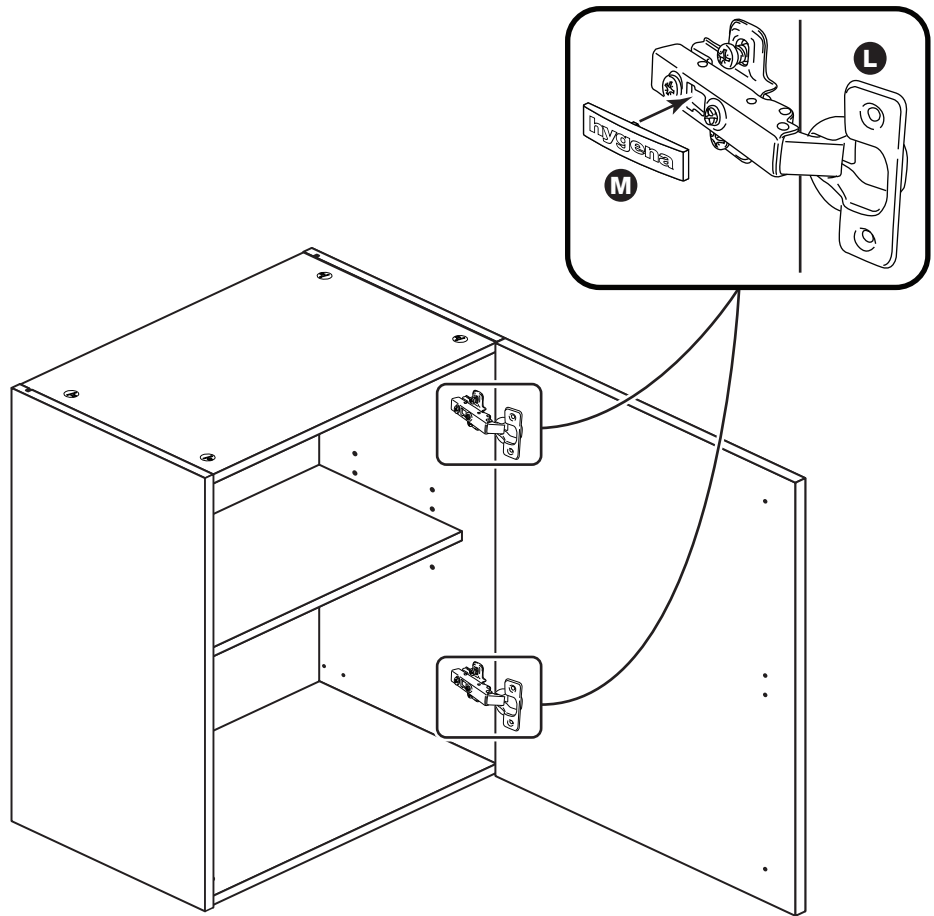


# Assembly Instructions

## Step 16

### Fit the hinge covers

Push the hinge covers **M** onto the hinge arms **L**.



# Assembly Instructions

## Step 17

### Fit other products to the unit

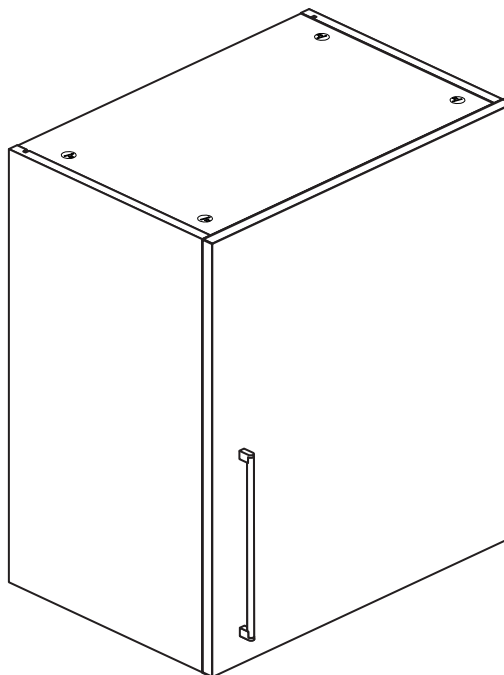
To fit other products to this unit, please follow the instructions packed with them.

We recommend that you consult a qualified joiner or kitchen fitter.

### Assembly is complete



**Warning:** The unit is heavy. Lift with care.



If you need help or have damaged or missing parts, call the **Customer Helpline: 08456 400800** and quote the reference numbers on the component pages.

Argos Ltd, 489-499 Avebury Boulevard, Central Milton Keynes, MK9 2NW