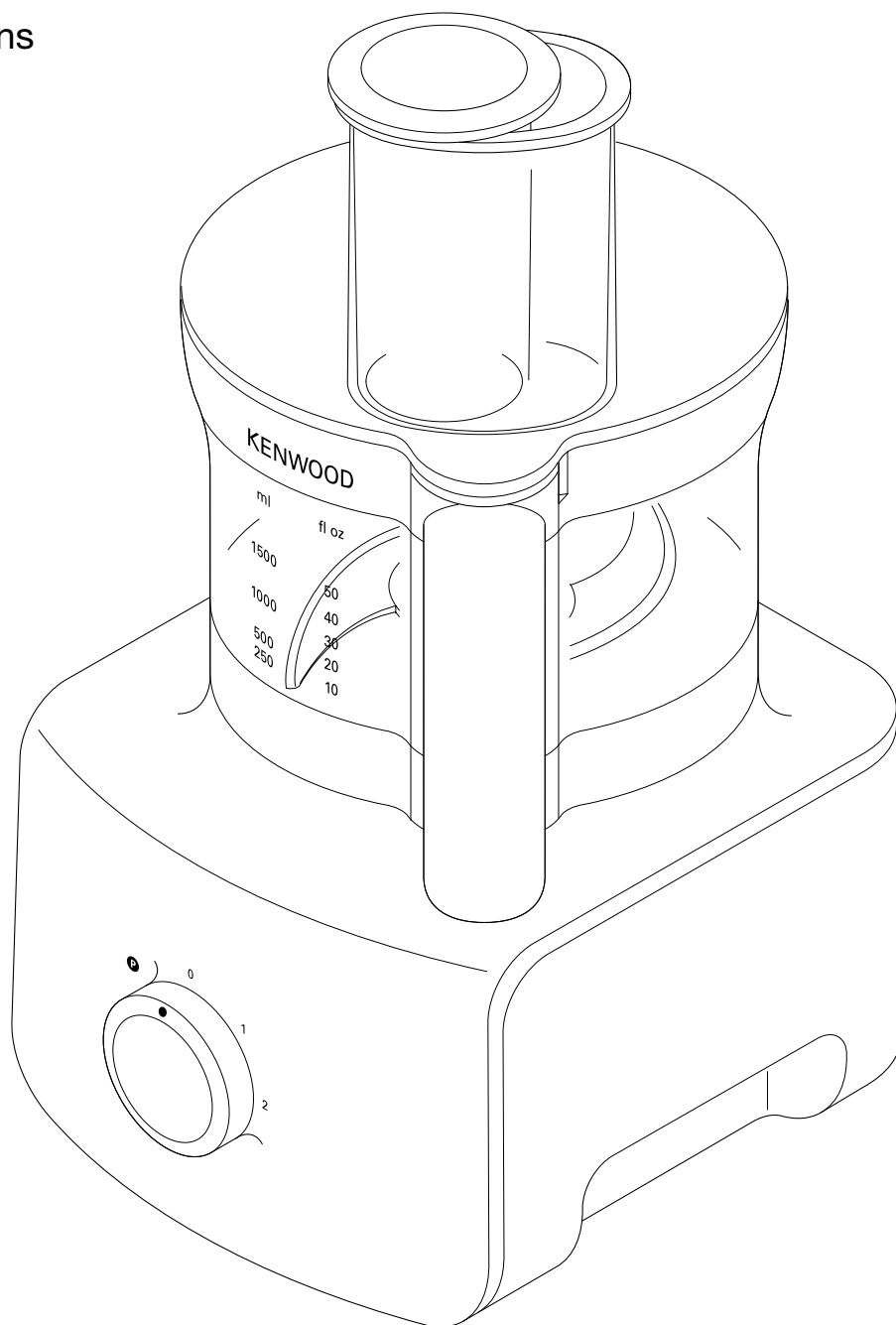


# KENWOOD

## TYPE FDP64

instructions

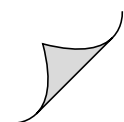


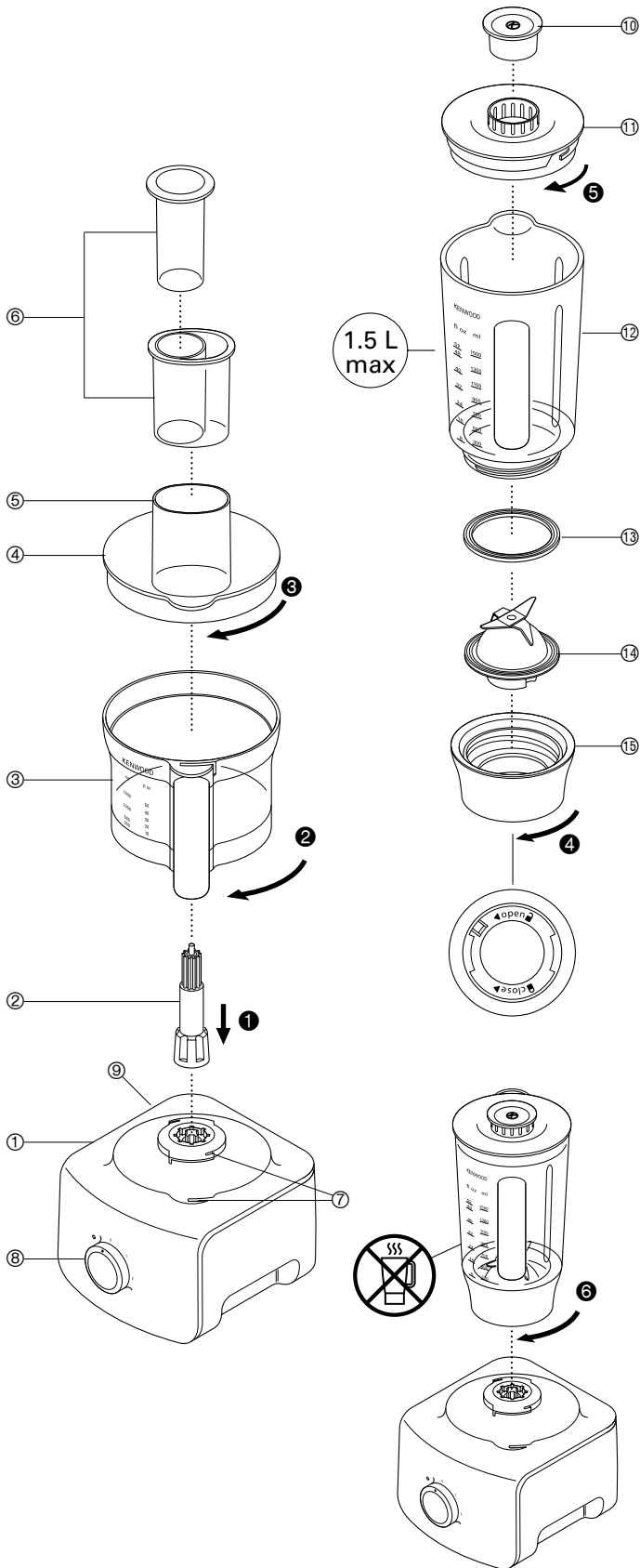
**English**

**2 - 12**

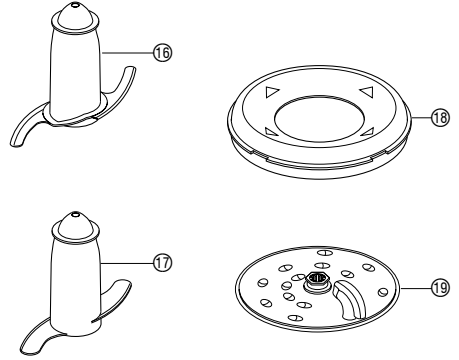
عربي

٢٢ - ١٣

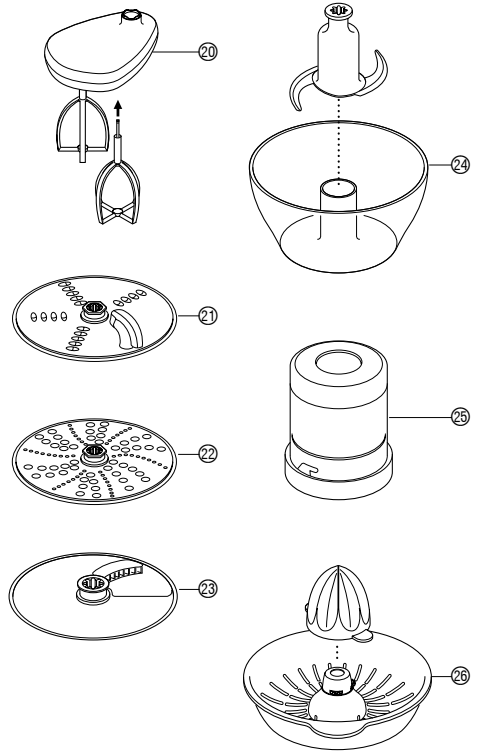




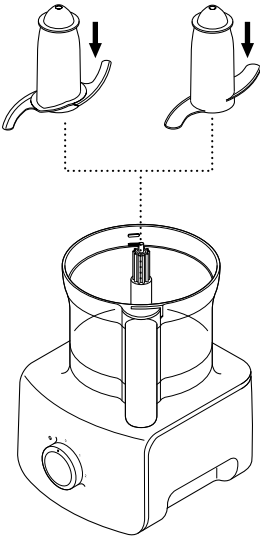
### A - standard attachments



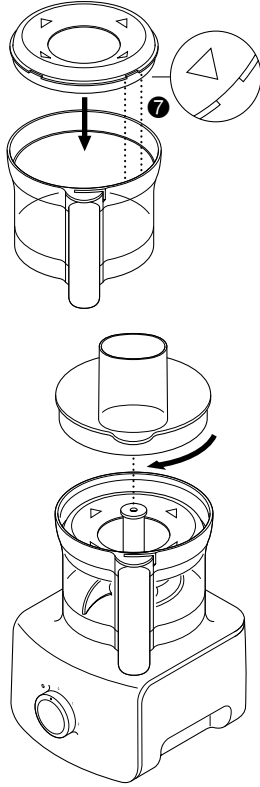
### B - optional attachments



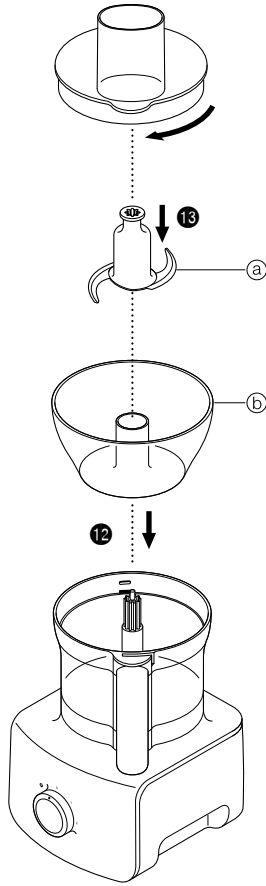
16 + 17



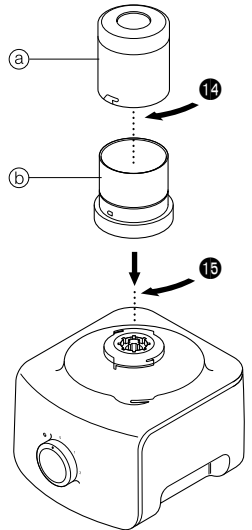
18



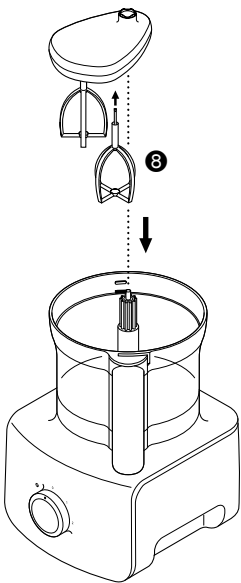
24



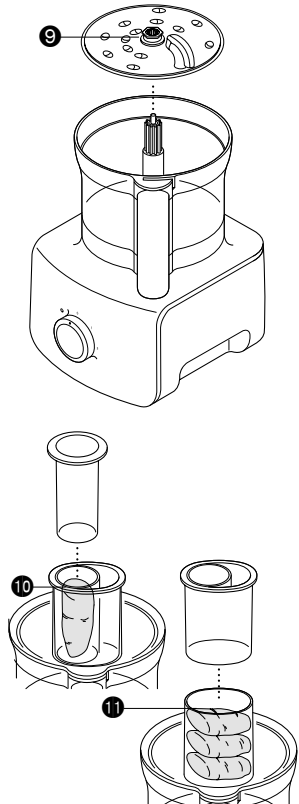
25



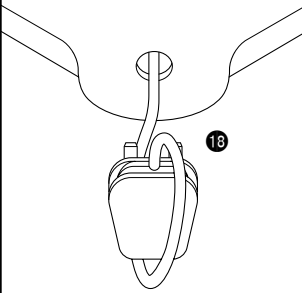
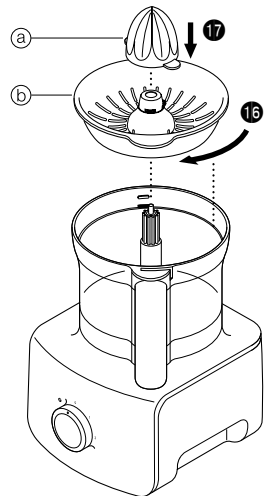
20



19, 21 → 23



26




## safety

- Read these instructions carefully and retain for future reference.
- Remove all packaging and any labels.
- If the cord is damaged it must, for safety reasons, be replaced by KENWOOD or an authorised KENWOOD repairer.
- The blades and discs are very sharp, handle with care. **Always hold by the finger grip at the top, away from the cutting edge, both when handling and cleaning.**
- **DO NOT process hot ingredients.**
- Do not lift or carry the processor by the handle - or the handle may break resulting in injury.
- Always remove the knife blade before pouring contents from the bowl.
- Keep hands and utensils out of the processor bowl and blender goblet whilst connected to the power supply.
- Switch off and unplug:-
  - before fitting or removing parts;
  - when not in use;
  - before cleaning.
- Never use your fingers to push food down the feed tube. Always use the pusher/s supplied.
- **Never fit the blade unit to the power unit without the blender goblet or compact chopper/grinder fitted.**
- Before removing the lid from the bowl or blender or compact chopper/grinder from the power unit:-
  - switch off;
  - wait until the attachment/blades have completely stopped;
  - be careful not to unscrew the blender goblet or compact chopper/grinder from the blade assembly.
- Do not use the lid to operate the processor, always use the on/off speed control.
- **This appliance will be damaged and may cause injury if the interlock mechanism is subjected to excessive force.**
- **Always unplug your food processor when not in use.**
- Never use an unauthorised attachment.
- Never leave the appliance unattended when it is operating.
- Never use a damaged appliance. Get it checked or repaired: see 'service & customer care'.
- Never let the power unit, cord or plug get wet.
- Do not let excess cord hang over the edge of a table or worktop or touch hot surfaces.

- Do not exceed the maximum capacities stated in the recommended speed chart.
- Children should be supervised to ensure that they do not play with the appliance.
- This appliance shall not be used by children. Keep the appliance and its cord out of reach of children.
- Appliances can be used by persons with reduced physical, sensory or mental capabilities or lack of experience and knowledge if they have been given supervision or instruction concerning use of the appliance in a safe way and if they understand the hazards involved.
- Only use the appliance for its intended domestic use. Kenwood will not accept any liability if the appliance is subject to improper use, or failure to comply with these instructions.
- Misuse of your processor/blender can result in injury.
- The maximum rating is based on the attachment that draws the greatest load. Other attachments may draw less power. Refer to the relevant section under “using the attachments” for additional safety warnings for each individual attachment.

### **blender safety**

-  **DO NOT process hot ingredients.**
- **SCALD RISK:** Hot ingredients must be allowed to cool to room temperature before placing in the goblet or before blending.
- Always take care when handling the blade assembly and avoid touching the cutting edge of the blades when cleaning.
- Only operate the blender with the lid in place.
- Only use the goblet with the blade assembly supplied.
- Never run the blender empty.
- To ensure the long life of your blender, do not run it for longer than 60 seconds.
- Smoothie recipes - never blend frozen ingredients that have formed a solid mass during freezing, break it up before adding to the goblet.
- Never blend more than the max level - 1.5 litres (53 fl oz).

### **slicing/grating disc safety**

- **Never remove the lid until the cutting disc has completely stopped.**
- **Handle the cutting discs with care - they are extremely sharp.**
- **Do not overfill the bowl – do not exceed the maximum capacity level marked on the bowl.**

## **mini bowl and knife safety**

- Never remove the lid until the knife blade has completely stopped.
- The knife blade is very sharp - always handle with care.

## **compact chopper/grinder safety**

- Never fit the blade unit to your food processor without the lid fitted.
- Never unscrew the lid while the compact chopper/grinder is fitted to your appliance.
- Do not touch the sharp blades – Keep the blade unit away from children.
- Never remove the compact chopper/grinder until the blades have completely stopped.
- To ensure the long life of your compact chopper/grinder, do not run it continuously for longer than 60 seconds. Switch off as soon as you have got the right consistency.
- The appliance will not work if the compact chopper/grinder is incorrectly fitted.
- Do not process turmeric root in the compact chopper/grinder as it is too hard and may damage the blades.
- Do not process hot ingredients in the mill. Allow to cool down to room temperature before processing.

### **before plugging in**

- Make sure your electricity supply is the same as the one shown on the underside of your appliance.

### **Important – UK only**

- The wires in the cord are coloured as follows:  
Blue = Neutral, Brown = Live.
- The appliance must be protected by a 13A approved (BS1362) fuse.

### **Note:**

- For non-rewireable plugs the fuse cover **MUST** be refitted when replacing the fuse. If the fuse cover is lost then the plug must not be used until a replacement can be obtained. The correct fuse cover is identified by colour and a replacement may be obtained from your Kenwood Authorised Repairer (see Service).
- If a non-rewireable plug is cut off it must be **DESTROYED IMMEDIATELY**. An electric shock hazard may arise if an unwanted non-rewireable plug is inadvertently inserted into a 13A socket outlet.
- This appliance conforms to EC Regulation 1935/2004 on materials and articles intended to come into contact with food.

### **before using for the first time**

- 1 Remove the plastic blade covers from the knife blade. **Take care the blades are very sharp.** These covers should be discarded as they are to protect the blade during manufacture and transit only.
- 2 Wash the parts see 'care & cleaning'

## key

### processor

- ① power unit
- ② detachable drive shaft
- ③ bowl
- ④ lid
- ⑤ feed tube
- ⑥ pushers
- ⑦ safety interlocks
- ⑧ speed/pulse control
- ⑨ cord storage (at back)

### blender

- ⑩ filler cap
- ⑪ lid
- ⑫ goblet
- ⑬ sealing ring
- ⑭ blade unit
- ⑮ base

## A - standard attachment

- ⑯ knife blade
- ⑰ dough tool
- ⑱ max capacity disc
- ⑲ thick slicing/coarse grating disc

## B - optional attachments

Not all the attachments listed below will be included with your food processor model. Attachments are dependent upon the model variant. For more information or to order additional attachments refer to the "service and customer care" section.

- ⑳ dual whisk (if supplied)
- ㉑ thin slicing/fine grating disc (if supplied)
- ㉒ extra fine grater disc (if supplied)
- ㉓ French fry disc (if supplied)
- ㉔ mini bowl and blade (if supplied)
- ㉕ grinding mill (if supplied)
- ㉖ citrus juicer (if supplied)

## to use your food processor

- 1 Fit the detachable drive shaft onto the power unit ①.
- 2 Fit the bowl to the power unit. Place the handle towards the right hand side and turn forward ② until it locks.
- 3 Fit an attachment over the bowl drive shaft.
  - Always fit the bowl and attachment onto the processor before adding ingredients.
- 4 Fit the lid ensuring the top of the drive shaft/tool locates into the centre of the lid ③.
  - **The processor will not operate if the bowl or lid are not fitted correctly into the interlock. Check that the feed tube and bowl handle are situated to the right hand front corner.**

- 5 Plug in. Select one of the following options: -
  - Speed Control – manually select the required speed (refer to the recommended speed chart).
  - Pulse – use the pulse (P) for short bursts. The pulse will operate for as long as the control is held in position.
- 6 At the end of processing turn the speed control to the 'OFF' position (O).

- **Always switch off and unplug before removing the lid. important**
- Your processor is not suitable for crushing or grinding coffee beans, or converting granulated sugar to caster sugar.

## to use your blender

- 1 Fit the sealing ring ⑬ into the blade unit ⑭ - ensuring the seal is located correctly. **Leaking will occur if the seal is damaged or not fitted correctly.**
- 2 Clip the blade unit ⑭ into the base ⑮.
- 3 Screw the blade assembly onto the goblet - ensuring the blade assembly is fully tightened ④. Refer to the graphics on the underside of the base as follows:

 - unlocked position

 - locked position

**The blender will not work if incorrectly assembled.**

- 4 Put your ingredients into the goblet.
- 5 Fit the filler cap to the lid, then place the lid on the goblet and turn in a clockwise direction ⑤ to lock.
- 6 Place the blender onto the power unit, and turn clockwise ⑥ to lock.
  - **The appliance will not operate if the blender is incorrectly fitted to the interlock.**
- 7 Select a speed (refer to the recommended speed chart) or use the pulse control.

### hints

- When making mayonnaise, put all the ingredients, except the oil, into the blender. Remove the filler cap. Then, with the appliance running, add the oil slowly through the hole in the lid.
- Thick mixtures, e.g. pâtés and dips, may need scraping down. If the mixture is difficult to process, add more liquid.
- Ice crushing - operate the pulse in short bursts until crushed to the desired consistency.
- The processing of spices is not recommended as they may damage the plastic parts.
- The appliance will not work if the blender is incorrectly fitted.
- To blend dry ingredients - cut into pieces, remove the filler cap, then with the appliance running, drop the pieces down one by one. Keep your hand over the opening. For best results empty regularly.
- Do not use the blender as a storage container. Keep it empty before and after use.
- Never blend more than 1.5 litres (53 fl oz) - less for frothy liquids like milkshakes.



## recommended speed chart

tool/attachment	function	recommended speed	processing time *	maximum capacities
Knife blade	All in one cake mixes	2	15-20 secs	1.5kg/3lb 8oz flour weight
	Pastry - rubbing fat into flour	1 - 2	10 secs	340g/12oz flour weight
	Adding water to combine pastry ingredients		10-20 secs	
	Chopping fish and lean meat Pâtés and terrines	2	10-30 secs	600g/1lb 5oz max lean beef
	Chopping vegetables	Pulse	5-10 secs	500g/1lb 2oz
	Chopping nuts	2	30-60 secs	200g/8oz
	Pureeing soft fruit, cooked fruit and vegetables	2	10-30 secs	1kg/2lb 4oz
	Sauces, dressing and dips	2	2 mins max	800g/1lb 12oz
Knife blade with max capacity disc	Cold soups	Start at speed 1 and increase to 2	30-60 secs	1.5 litres/53 fl oz
	Milkshakes/batters		15-30 secs	1 litre/35 fl oz
Dual whisk	Egg whites	2	60-90 secs	6 (200g)
	Egg & sugar for fatless sponges	2	4-5 min	3 (150g)
	Cream	2	30 secs	500mls/1pt
	Creaming fat and sugar	2	2 mins max	200g/8oz fat 200g/8oz sugar
Dough tool	Yeasted mixes	2	60 secs	1kg/ 2lb 4oz total wt
	White Bread Flour	2	60 secs	600g/1lb 5oz flour wt
	Wholemeal Bread Flour	2	60 secs	500g/1lb 2oz flour wt
Discs - slicing/grating	Firm food items such as carrots, hard cheeses	1 - 2	-	Do not fill above the maximum capacity marked on the bowl
	Softer items such as cucumbers, tomatoes	1 - 2	-	
Extra fine grater	Parmesan cheese, potatoes for German potato dumplings	2	-	
French fry disc	Cuts potatoes for thin French Fries and ingredients for casseroles and dips (eg cucumber, apple and pear.)	2	-	
Blender	Cold liquids and drinks	2	15-30 secs	
	Stock based soups	2	30 secs	1.2 litres/42 fl oz
	Soups using milk	2	30 secs	1 litre/35 fl oz
	<b>SCALD RISK:</b> Hot ingredients should be allow to cool to room temperature before blending			
Mini bowl and knife	Meat	2	20 secs + Pulse	200g/8oz Lean beef
	Chopping herbs	2	30 secs	15g/½oz
	Chopping nuts	2	30 secs	50g/2oz
	Mayonnaise	2	30 secs	2 Eggs 300g/12oz Oil
	Purees	2	30 secs	200g/8oz
Citrus Juicer	Smaller items i.e. limes and lemons	1	-	1kg/2lb 4oz
	Larger fruits i.e. oranges and grapefruits			
Grinding mill	Processing a range of spices Grinding coffee beans	2	30-60 secs 30 secs	50g/2oz
	Chopping nuts	Pulse	10 secs	50g/2oz
	Processing garlic cloves, fresh chillies and root ginger	Pulse	10 secs	30g/1oz

\* This is for guidance only and will vary depending on the exact recipe and ingredients being processed.

## using the attachments

Refer to recommended speed chart for each attachment.

### ⑩ knife blade

The knife blade is the most versatile of all the attachments. The length of the processing time will determine the texture achieved. For coarser textures use the pulse control.

Use the knife blade for cake and pastry making, chopping raw and cooked meat, vegetables, nuts, pâté, dips, pureeing soups and to also make crumbs from biscuits and bread.

#### hints

- Cut food such as meat, bread, vegetables into cubes approximately 2cm/¾in before processing.
- Biscuits should be broken into pieces and added down the feed tube whilst the appliance is running.
- When making pastry use fat straight from the fridge cut into 2cm/¾in.cubes.
- Take care not to over-process.

### ⑪ dough tool

Use for yeasted dough mixes.

- Place the dry ingredients in the bowl and add the liquid down the feed tube whilst the appliance is running. Process until a smooth elastic ball of dough is formed this will take approx. 60 secs.
- Re-knead by hand only. Re-kneading in the bowl is not recommended as it may cause the processor to become unstable.

### ⑫ max capacity disc

When blending liquids in the bowl, the max capacity disc must be used with the knife blade. It prevents leaking and improves the chopping performance of the blade.

- 1 Fit the detachable drive shaft onto the power unit.
- 2 Fit the bowl onto the power unit.
- 3 Fit the knife blade.
- 4 Add ingredients to be processed.
- 5 Fit the capacity disc over the top of the blade ensuring it sits on the ledge inside the bowl **7**. **Do not push down on the capacity disc.**
- 6 Fit the lid and switch on.

### ⑬ dual whisk (if supplied)

Use for light mixtures such as egg whites, cream, evaporated milk and for whisking eggs and sugar for fatless sponges.

## using the whisk

- 1 Fit the detachable drive shaft onto the power unit.
- 2 Fit the bowl onto the power unit.
- 3 Push each beater **8** securely into the drive head.
- 4 Fit the whisk by carefully turning until it drops over the drive shaft.
- 5 Add the ingredients.
- 6 Fit the lid - ensuring the end of the shaft locates into the centre of the lid.
- 7 Switch on.

#### important

- **The whisk is not suitable for making all in one cake mixes as these mixes are too heavy and will damage it. Always use the knife blade.**

#### hints

- Best results are obtained when the eggs are at room temperature.
  - Ensure the bowl and whisks are clean and free from grease before whisking.
- #### creaming fat and sugar
- For best results fat should be allowed to soften at room temperature (20°C) before creaming. **DO NOT use fat straight from the fridge as this will damage the whisk.**
  - Heavier ingredients such as flour and dried fruit should be folded in by hand.
  - Do not exceed the maximum capacity or processing time stated in the recommended speed chart.

## slicing/grating discs

#### reversible slicing/grating discs **19**, **21**

Use the grating side for cheese, carrots, potatoes and foods of a similar texture.

Use the slicing side for cheese, carrots, potatoes, cabbage, cucumber, courgette, beetroot and onions.

#### extra fine grater disc **22** (if supplied)

Grates Parmesan cheese and potatoes for German potato dumplings.

#### French fry disc **23** (if supplied)

Cuts potatoes for thin French Fries and ingredients for casseroles and dips (eg cucumber, apple and pear).

## to use the cutting discs

- 1 Fit the detachable drive shaft onto the power unit.
- 2 Fit the bowl onto the power unit.
- 3 Holding by the centre grip, place the disc onto the drive shaft with the appropriate side uppermost **9**.
- 4 Fit the lid.
- 5 Put the food in the feed tube.  
Choose which size feed tube you want to use. The pusher contains a smaller feed tube for processing individual items or thin ingredients.  
To use the small feed tube - first put the large pusher inside the feed tube.  
To use the large feed tube - use both pushers together.
- 6 Switch on and push down evenly with the pusher - **never put your fingers in the feed tube.**

### hints

- Use fresh ingredients
- Do not cut food too small. Fill the width of the feed tube fairly full. This prevents the food from slipping sideways during processing. Alternatively use the small feed tube.
- When using the French fry disc, place ingredients horizontally.
- When slicing or grating: food placed upright **10** comes out shorter than food placed horizontally **11**.
- There will always be a small amount of waste on the disc or in the bowl after processing.

## 24 mini bowl and knife (if supplied)

Use the mini processor bowl to chop herbs and process small quantities of ingredients e.g. meat, onion, nuts, mayonnaise, vegetables, purées, sauces and baby food.

- Ⓐ mini blade
- Ⓑ mini bowl

### to use the mini bowl and knife

- 1 Fit the detachable drive shaft onto the power unit.
- 2 Fit the bowl onto the power unit.
- 3 Fit the mini bowl over the detachable drive shaft - ensure the cut out sections align with the locating tabs **12** on the main bowl.

**Note:** The main bowl lid cannot be fitted if the mini bowl is not located correctly.

- 4 Place the knife blade over the drive shaft **13**.
- 5 Add the ingredients to be processed.
- 6 Fit the lid and switch on.

### safety

- Never remove the lid until the knife blade has completely stopped.
- The knife blade is very sharp - always handle with care.

### important

- Do not process spices – they may damage the plastic.
- Do not process hard food such as coffee beans, ice cubes or chocolate – they may damage the blade.

### hints

- Herbs are best chopped when clean and dry.
- Always add a little liquid when blending cooked ingredients to make baby food.
- Cut foods such as meat, bread, vegetables into cubes approximately 1-2 cm ( $\frac{1}{2}$  –  $\frac{3}{4}$  in) before processing.
- When making mayonnaise add the oil down the feed tube.

## 25 grinding mill (if supplied)

Use the grinding mill for processing dry ingredients such as nuts or coffee beans and for grinding spices such as:-  
Black peppercorns, cardamom seeds, cumin seeds, coriander seeds, fennel seeds, fresh ginger root, garlic cloves and fresh chillies.

- Ⓐ mill lid
- Ⓑ grinding mill blade assembly

### to use your grinding mill.

- 1 Place your ingredients into the blade assembly **6**.
- 2 Fit the lid **7** and turn clockwise to lock **14**.
- 3 Place the mill onto the power unit and turn clockwise to lock **15**.
- 4 Select a speed or use the pulse (P).

### hints

- For optimum performance when processing spices we recommend that you do not process more than 50g at a time in the mill.
- Whole spices retain their flavour for a much longer time than ground spices so it is best to grind a small quantity fresh at a time to retain the flavour.
- To release the maximum flavour and essential oils whole spices are best roasted prior to milling.
- Cut ginger up into small pieces before processing.
- For best results the mini bowl attachment is recommended when chopping herbs.

## 26 citrus juicer (if supplied)

Use the citrus juicer to squeeze the juice from citrus fruits (eg oranges, lemons, limes and grapefruits).

- Ⓐ cone
- Ⓑ sieve

### to use the citrus juicer

- 1 Fit the detachable drive shaft onto the power unit.
- 2 Fit the bowl onto the power unit.
- 3 Fit the sieve into the bowl - ensuring the sieve handle is locked into position directly over the bowl handle **16**.
- 4 Place the cone over the drive shaft turning until it drops all the way down **17**.
- 5 Cut the fruit in half. Then switch on and press the fruit onto the cone.


● **The citrus juicer will not operate if the sieve is not locked correctly.**

- For best results store and juice the fruit at room temperature and hand roll on a worktop before juicing.
- To help with juice extraction move the fruit from side to side when juicing.
- When juicing large quantities, empty the strainer regularly to prevent the build up of pulp and seeds.


## care & cleaning

- Always switch off and unplug before cleaning.
- **Handle the blades and cutting discs with care - they are extremely sharp.**
- Some foods may discolour the plastic. This is perfectly normal and will not harm the plastic or affect the flavour of your food. Rub with a cloth dipped in vegetable oil to remove the discolouration.

### power unit

- Wipe with a damp cloth, then dry. Ensure that the interlock area is clear of food debris.
- Do not immerse the power unit in water.
- Store excess cord in the storage area at the back of the power unit .

### blender

- 1 Empty the goblet, unscrew the blade unit by turning to the unlock position  to release. Then remove the blade unit by pushing up from underneath.
- Care should be taken when removing the blade unit from the base.
- 2 Wash the goblet by hand.
- 3 Remove and wash the seal.
- 4 Do not touch the sharp blades – brush them clean using hot soapy water, then rinse thoroughly under the tap. **Do not immerse the blade unit in water.**
- 5 Leave to dry upside down.

### dual whisk

- Detach the beaters from the drive head by gently pulling them free. Wash in warm soapy water.
- Wipe the drive head with a damp cloth, then dry. **Do not immerse the drive head in water.**

### grinding mill

- Remove the blade assembly from the jar by turning in an anti-clockwise direction.
- Wash the jar by hand.
- Do not touch the sharp blades – brush them clean using hot soapy water, then rinse thoroughly under the tap. **Do not immerse the blade unit in water.**
- Leave to dry upside down.

### all other parts

- Wash by hand, then dry.
- Alternatively they can be washed in your dishwasher.

item	suitable for dishwashing
main bowl, mini bowl, lid, pusher	✓
knife blades, dough tool	✓
detachable drive shaft	✓
discs	✓
max capacity disc	✓
whisk beaters	✓
<b>Do not immerse the drive head in water</b>	
blender goblet, lid, filler cap	✓
blade unit and seal for blender	✗
grinding mill blade assembly	✗
grinding mill jar	✓
spatula	✓

## service & customer care

- **If you experience any problems with the operation of the processor, before calling for assistance refer to the troubleshooting guide.**

### UK

If you need help with:

- using your appliance or
- servicing, spare parts or repairs (in or out of guarantee)
- ☎ call Kenwood customer care on 023 9239 2333. **Have your model number (e.g. TYPE FDP64) and date code (5 digit code e.g. 13L35) ready.** They are on the underside of the power unit.
- **spares and attachments**
- ☎ call 0844 557 3653.
- **other countries**
- If you experience any problems with the operation of your appliance, before requesting assistance refer to the “troubleshooting guide” section in the manual or visit [www.kenwoodworld.com](http://www.kenwoodworld.com).
- Please note that your product is covered by a warranty, which complies with all legal provisions concerning any existing warranty and consumer rights in the country where the product was purchased.
- If your Kenwood product malfunctions or you find any defects, please send it or bring it to an authorised KENWOOD Service Centre. To find up to date details of your nearest authorised KENWOOD Service centre visit [www.kenwoodworld.com](http://www.kenwoodworld.com) or the website specific to your Country.
- Designed and engineered by Kenwood in the UK.
- Made in China.

## troubleshooting guide

Problem	Cause	Solution
The processor will not operate.	No Power.  Bowl not fitted to power unit correctly.  Bowl lid not locked on correctly.	Check processor is plugged in.  Check bowl is located correctly and the handle is situated towards the right hand side.  Check that the lid interlock is located correctly into the handle area.  <b>The processor will not work if the bowl and lid are fitted incorrectly.</b>
Compact chopper/grinder will not operate.	Compact chopper/grinder not locked on correctly.  Compact chopper/grinder not assembled correctly.	The compact chopper/grinder will not operate if fitted incorrectly to the interlock. Check blade unit is fully tightened onto the compact chopper/grinder lid.
Blender will not operate.	Blender not locked on correctly.  Blender not assembled correctly.	The blender will not operate if fitted incorrectly to the interlock. Check blade unit is fully tightened into the goblet.
Processor stops or slows during processing.	Overload protection operated. Processor overloaded or overheated during operation.  Maximum capacity exceeded.	Switch off, unplug and allow the appliance to cool down for approximately 15 minutes.  Refer to the speed chart for maximum capacities to process.
Blender leaking from blade assembly base.	Seal missing. Seal incorrectly fitted. Seal damaged.	Check seal is fitted correctly and not damaged. To obtain a replacement seal see "service & customer care".
Blender seal missing from blade unit when removed from packaging.	The seal is packed pre-fitted to the blade unit.	Unscrew goblet and check that seal is fitted to blade unit. To obtain a replacement seal see "service & customer care".
Poor performance of tools/attachments.	Refer to hints in relevant "using the attachment" section. Check attachments are assembled correctly.	



### **IMPORTANT INFORMATION FOR CORRECT DISPOSAL OF THE PRODUCT IN ACCORDANCE WITH THE EUROPEAN DIRECTIVE ON WASTE ELECTRICAL AND ELECTRONIC EQUIPMENT (WEEE)**

At the end of its working life, the product must not be disposed of as urban waste.

It must be taken to a special local authority differentiated waste collection centre or to a dealer providing this service.

Disposing of a household appliance separately avoids possible negative consequences for the environment and health deriving from inappropriate disposal and enables the constituent materials to be recovered to obtain significant savings in energy and resources. As a reminder of the need to dispose of household appliances separately, the product is marked with a crossed-out wheeled dustbin.

### **guarantee UK only**

If your food processor goes wrong within one year from the date you bought it, we will repair it (or replace it if necessary) free of charge provided:

- it has been used in accordance with these instructions.
- you have not misused, neglected, or damaged it;
- it has not been modified (unless by KENWOOD);
- it is not second hand;
- it has not been used commercially;
- you have not fitted a plug incorrectly; and
- **you supply your receipt to show when you bought it.**

This guarantee does not affect your statutory rights.

## recipes ideas/suggestions

### carrot and coriander soup

#### **use the blender**

25g (1oz) butter  
50g (2oz) onion chopped  
1 clove garlic crushed  
640g (1lb 8oz) carrot cut into 1 cm cubes  
cold chicken stock  
10-15mls (2-3tsp) ground coriander  
salt and pepper

- 1 Melt the butter in a pan, add the onion and garlic and fry until soft.
- 2 Place the carrot into the blender, add the onion and garlic. Add sufficient stock to reach the 1.5L level marked on the goblet. Fit the lid and filler cap.
- 3 Blend on maximum speed for 15 seconds for a coarse soup or longer for a finer result.
- 4 Transfer the mixture to a saucepan, add the coriander and seasoning and simmer the soup for 30 to 35 minutes or until cooked.
- 5 Adjust the seasoning as necessary and add extra liquid if required.

### shortcrust pastry

#### **use the knife blade**

300g (12oz) plain flour  
150g (6oz) mixture of lard and margarine cut into small pieces  
2.5 mls (½ tsp) salt  
45mls (3tbsp) cold water

- 1 Fit the knife blade and add the flour, salt and fat. Process for approximately 10 seconds or until the mixture looks like coarse breadcrumbs.
  - 2 Then add the water down the feed tube on low speed until the mixture looks like it is about to stick together.
  - 3 Turn out the mixture onto a worksurface and shape by hand. Use as required.
- For best results allow the pastry to rest before use. Place in a plastic bag or wrap in clingfilm and chill in the fridge for 20 minutes.

### meringues

#### **use the dual whisk**

4 egg whites (medium sized)  
200g (8oz) caster sugar

#### **Dual whisk**

- 1 Whisk the egg whites at high speed until stiff.
- 2 Add half the sugar and continue to whisk until the mixture is glossy.
- 3 Pipe the mixture onto trays lined with non-stick baking paper.
- 4 Bake in a pre-heated oven at 110°C/225°F/Gas mark ¼ for about 4 - 5 hours until firm and crisp. If they start to brown, leave the door slightly ajar.

### lasagne

#### **use the grating disc & knife blade**

300g (12oz) braising steak, cubed.  
400g can of tomatoes  
30mls (2tbsp) tomato puree  
1 onion  
5mls (1tsp) basil  
100g (4oz) lasagne sheets  
500g béchamel sauce  
(50g (2oz) butter, 50g (2oz) plain flour, 500mls (1pt) milk)  
200g (8oz) mozzarella cheese  
15mls (1tbsp) oil  
salt and pepper

- 1 Make the béchamel sauce - melt the butter and add the flour and cook for 2minutes. Then slowly add the milk, bring to the boil, stirring continuously. Simmer until mix starts to thicken.
- 2 Grate the cheese using the grating disc.
- 3 Then separately chop the meat and onions with the knife blade.
- 4 Pre-heat the oil and fry the onions until softened, add the meat and fry until brown.
- 5 Then add the tomatoes, tomato puree and seasonings.
- 6 Stir well, cover and simmer gently for about 40minutes.
- 7 Cook the lasagne in plenty of salted boiling water until tender. Then drain well.
- 8 Place layers of meat, lasagne, béchamel sauce and cheese in a 1litre/2pint oven proof dish. Finish with a layer of cheese.
- 9 Bake at 190°C/375°F/Gas Mark 5 for 30minutes or until golden and bubbling.

### all in one cake mix

#### **use the knife blade**

150g (6oz) soft margarine  
150g (6oz) caster sugar  
150g (6oz) self raising flour  
5mls (1tsp) baking powder  
3 eggs  
15mls (1tbsp) warm water

#### **filling & decoration**

3tbsp strawberry jam  
150mls (¼pt) double cream whipped (optional)  
1tbsp icing sugar or caster sugar

- 1 Pre-heat the oven to 180°C/350°F/Gas mark 4 and grease two 18cm(7") shallow cake tins.
- 2 Fit the knife blade. Place all the ingredients for the sponge in the bowl and process for 5 seconds. Using a spatula, scrape the mixture into the centre of the bowl and process for a further 5 seconds.
- 3 Pour the mixture into the prepared tins and bake for 20-25minutes or until firm to a light touch and coming away from the edges slightly. If you are unsure whether the cake is cooked insert a thin skewer in the centre and it should come out clean. Turn out onto a wire cooling rack.
- 4 When cool spread the jam and cream over one of the cakes, top with the other cake and sprinkle with the sugar.

## white bread

### **use the dough tool**

500g (1lb 2oz) strong white bread flour

5mls (1tsp) salt

15g (½oz) lard

15g (½oz) fresh yeast or 10mls (2tsp) dried yeast + 5mls (1tsp)

caster sugar.

300mls (11 fl oz) warm water, 100mls (3½ fl oz) boiling water to

200mls (7½ fl oz) cold water

- 1 **Dried yeast (the type that needs reconstituting):** Add the yeast and sugar to the warm water. Leave to stand for 5 - 10 minutes until frothy.

**Fresh yeast:** crumble into the flour

**Other types of yeast:** follow the manufacturer's instructions.

- 2 Fit the dough tool or knife blade and add the flour (with fresh yeast if used), salt and lard. Process for a few seconds to evenly distribute the ingredients.
- 3 Then with the motor running quickly pour the liquid in a steady stream down the feed tube until the mixture forms an elastic soft dough. This will take about 60 seconds.
- 4 Remove the dough, place in a bowl, cover with an oiled piece of clingfilm or a plastic bag, and leave in a warm place for 45 - 60 minutes or until doubled in size.
- 5 Re-knead by hand for 2-3 minutes. Re-kneading in the bowl is not recommended as it may cause the processor to become unstable. Shape into a loaf or rolls and place on greased baking trays and leave until double in size.
- 6 Then bake in a pre-heated oven at 230°C/450°F/Gas mark 8 for 20 - 25 minutes for the loaf or 10 - 15 minutes for bread rolls. When ready they should sound hollow when tapped on the base.

## دليل استكشاف الأخطاء وإصلاحها

المشكلة	السبب	الحل
جهاز تحضير الطعام لا يعمل.	الجهاز غير موصل بمصدر تيار كهربائي. الوعاء غير مركب على وحدة الطاقة بشكل صحيح. غطاء وعاء تحضير الطعام غير مركب بشكل صحيح.	تحققي من السلك الكهربائي وأنه موصل بمنفذ التيار الكهربائي. تأكدي من تركيب وعاء التقطيع بشكل صحيح وأن المقبض متجه ناحية اليمين. تأكدي من تعشيق الغطاء العلوي بشكل صحيح في منطقة المقبض.
لن تعمل القطاعة/المفرمة الصغيرة.	القطاعة/المفرمة الصغيرة غير معشقة بشكل صحيح. القطاعة/المفرمة الصغيرة غير مركبة بشكل صحيح.	لن يعمل جهاز تحضير الطعام في حالة تركيب وعاء التقطيع والغطاء العلوي بشكل غير صحيح.
المسيل لا تعمل	المسيل غير مركب بشكل صحيح. لم يتم تركيب المسيل بالطريقة الصحيحة.	لن يعمل الخلاط في حالة التركيب بشكل غير صحيح في موضع تعشيق القفل. تأكدي من ربط وحدة الشفرات بإحكام في الدورق الطحن.
يتوقف جهاز تحضير الطعام أو تبطأ سرعته أثناء التشغيل راجعي جدول السرعات للحصول على	تم تشغيل وظيفة الحماية ضد التحميل الزائد. الساعات القصوى المستخدمة في تشغيل جهاز تحضير الطعام.	أوقفي تشغيل الجهاز وافصليه عن مصدر التيار الكهربائي واتركه ليبرد لمدة ١٥ دقيقة تقريباً. هناك تحميل زائد أو تجاوز لدرجة الحرارة المسموح بها أثناء عملية تحضير الطعام. تم تجاوز السعة القصوى المحددة.
المسيل يسرب من قاعدة مجموعة الشفرات.	حلقة الإحكام غير مركبة حلقة الإحكام غير مركبة في موضعها جيداً حلقة الإحكام تالفة.	تحققي من تركيب حلقة الإحكام في موضعها الصحيح وبطريقة صحيحة وأنها غير تالفة. للحصول على حلقة إحكام لاستبدال الحلقة التالفة. راجعي قسم «الصيانة ورعاية العملاص»
عند إخراج وحدة الشفرات من التغليف لم يتم العثور على حلقة الإحكام الخاصة بالخلاط لا تعمل الأدوات/الملحقات بشكل جيد	يتم تزويد حلقة الإحكام داخل صندوق التغليف مركبة في وحدة الشفرات. راجعي التلميحات المتعلقة بكل أداة أو ملحق في قسم «استخدام الملحق». تأكدي من تركيب الملحقات بشكل صحيح.	فكي الدورق وتأكدي من تركيب حلقة الإحكام في مجموعة الشفرات. للحصول على حلقة إحكام بديلة، راجعي قسم «الصيانة ورعاية العملاص».



## الخدمة ورعاية العملاء

- في حالة مواجهة أية مشكلة متعلقة بتشغيل الجهاز، قبل الاتصال لطلب المساعدة، يرجى مراجعة قسم «دليل اكتشاف المشكلات وحلها» في الدليل أو زيارة موقع الويب [www.kenwoodworld.com](http://www.kenwoodworld.com).
- يرجى الملاحظة بأن جهازك مشمول بضمان، هذا الضمان يتوافق مع كافة الأحكام القانونية المعمول بها والمتعلقة بحقوق الضمان والمستهلك في البلد التي تم شراء المنتج منها.
- في حالة تعطل منتج Kenwood عن العمل أو في حالة وجود أي عيوب، فيرجى إرساله أو إحضاره إلى مركز خدمة معتمد من KENWOOD. للحصول على معلومات محدثة حول أقرب مركز خدمة معتمد من KENWOOD، يرجى زيارة موقع الويب [www.kenwoodworld.com](http://www.kenwoodworld.com)، أو موقع الويب المخصص لبلدك.
- تصميم وتطوير Kenwood في المملكة المتحدة.
- صنع في الصين.



**معلومات هامة هو الكيفية الصحيحة للتخلص من المنتج وفقاً لتوجيهات الاتحاد الأوروبي المتعلقة بنفايات المعدات الكهربائية والإلكترونية (WEEE)**

في نهاية العمر التشغيلي للجهاز، يجب عدم التخلص من الجهاز في نفايات المناطق الحضرية.  
بل يجب أخذه إلى مركز تجميع خاص بجهة محلية متخصصة في التخلص من هذه النفايات أو إلى تاجر يقدم هذه الخدمة.  
التخلص من الأجهزة المنزلية على نحو منفصل، يجنب الآثار السلبية المحتملة على البيئة والصحة والتي تنتج عن التخلص من هذه النفايات بطريقة غير مناسبة، كما أن هذه العملية تسمح باسترداد المواد المكونة الأمر الذي يتيح الحصول على وفورات كبيرة في مجال الطاقة والموارد. للتذكير بضرورة التخلص من الأجهزة المنزلية على نحو منفصل، يوجد على الجهاز صورة مشطوبة لسلة قمامة ذات عجلات.

## العناية والتنظيف

العناصر المناسبة للغسيل داخل غسالة الأطباق	العنصر
✓	السلطانية الرئيسية، السلطانية الصغيرة، الغطاء العلوي، عصا دفع المكونات
✓	سكين التقطيع، أداة العجين
✓	محور الدوران
✓	الأقراص
✓	قرص السعة القصوى
✓	ذراعي الخفق لا تغمري رأس المحرك في الماء.
✓	دورق الخلاط، الغطاء العلوي، فتحة التعبئة
✗	وحدة الشفرات وحلقة الإحكام الخاصة بالخلط
✗	مجموعة شفرات مطحنة الفرغ
✓	وعاء الطحن الخاص بمطحنة الفرغ
✓	مقشطة

● أوقفى دائماً تشغيل الجهاز وافصليه عن مصدر التيار الكهربائي قبل التنظيف.

● **توخي الحذر أثناء التعامل مع الشفرات وأسطح التقطيع هذه الأجزاء حادة جداً.**

● قد تؤثر بعض الأغذية على لون البلاستيك. هذا امر طبيعي تماماً ولا يضر بالبلاستيك أو يؤثر على نكهة الطعام. امسحي البلاستيك بقماش مغموس في زيت نباتي لإزالة تغيير اللون.

### وحدة الطاقة

● تمسح بقطعة قماش رطبة، ثم تجفف. تأكد من خلو منطقة الترابط من بقايا الطعام.

● لا تقومي بغمر وحدة الطاقة في الماء.

● قومي بلف السلك الزائد في مكان تخزين السلك أسفل وحدة الطاقة 18

### جهاز التسييل

١ أفرغي الدورق وفكي وحدة الشفرات عن طريقها لفها حتى موضع الفتح وذلك لتحريرها. ثم أزيلى وحدة الشفرات عن طريق جذبها لأعلى من الجانب السفلي.

● يجب توخي الحذر عند إزالة وحدة الشفرات عن القاعدة.

٢ اغسلي الدورق يدوياً.

٣ أزيلى حلقة الإحكام واغسليها.

٤ لا تلمسي الشفرات الحادة - قومي بتنظيف الشفرات بواسطة الفرشاة باستخدام ماء ساخن وصابون، ثم قومي بشطفها جيداً تحت الصنبور.

لا تقومي بغمر وحد الشفرات في الماء.

٥ اتركها تجف في وضع مقلوب.

### مضرب البيض الثنائي

● افصلي ذراعي الخفق من رأس المحرك بشدهما برفق نحو الخارج. اغسليهما بالماء الدافئ والصابون.

● امسحي رأس المحرك بقطعة قماش رطبة، ثم تجفيفها. لا تغمري رأس المحرك في الماء.

### مطحنة الفرغ

● أزيلى وحدة الشفرات عن وعاء الطحن عن طريق لفها في اتجاه عكس عقارب الساعة.

● اغسلي وعاء الطحن يدوياً.

● لا تلمسي الشفرات الحادة - نظفي الشفرات بواسطة الفرشاة

● باستخدام ماء ساخن وصابون، ثم اشطفيها جيداً تحت الصنبور. لا تقومي بغمر وحدة الشفرات في الماء.

● اتركها تجف في وضع مقلوب.

### جميع الأجزاء الأخرى

● تغسل باليد ثم تجفف.

● ويمكنك أيضاً غسلهم في غسالة الأطباق.

## تلميحات

- استخدم مكنونات طازجة.
- لا تقطعي الطعام إلى قطع صغيرة جداً. اجعلي عرض (مقطع) أنبوب إدخال المكنونات ممتلئاً بشكل متساو.
- يحول ذلك دون انزلاق الطعام على الجوانب أثناء تحضير الطعام. بطريقة أخرى، يمكنك استخدام أنبوب إدخال الطعام الصغير.
- عند استخدام سطح تقطيع أصابع رفيعة، ضعي المكنونات بشكل أفقي.
- عند التقطيع أو البش: الطعام الموضوع بشكل رأسي 10 يخرج قصيراً عن الطعام الموضوع بشكل أفقي 11.
- تبقى هناك دائماً كمية صغيرة من الفضلات على سطح التقطيع أو في السلطانية بعد تحضير الطعام.

## 24 السلطانية الصغيرة والشفرات (في حالة تزويدها داخل عبوة البيع)

استخدمي وعاء تحضير الطعام الصغير لتقطيع الأعشاب و تحضير كميات صغيرة من الطعام ومثال على ذلك، اللحم والبصل والبنقدق والمايونيز والخضراوات والمعجنات والصلصات وغذاء الأطفال.

a) السكين الصغير

b) السلطانية الصغيرة

## استخدام السلطانية الصغيرة والسكين الصغير

1 ركبى محور الدوران في وحدة الطاقة (الموتور).

2 ركبى السلطانية على وحدة الطاقة (الموتور).

3 ركبى السلطانية الصغيرة على محور الدوران - تأكدي أن المقاطع المقصودة تتحاذى مع السنّة الاستقرار 12 في السلطانية الرئيسية.

**ملاحظة:** لا يمكن تركيب الغطاء العلوي الخاص بالسلطانية الرئيسية في حالة عدم تركيب السلطانية الصغيرة بشكل صحيح.

4 ضعي سكين التقطيع على محور الدوران 13.

5 ضعي المكنونات المراد تحضيرها.

6 ركبى الغطاء العلوي وشغلي الجهاز.

## لسلامتك

- يحذر إزالة الغطاء العلوي قبل توقف سكين التقطيع تماماً.
- سكين التقطيع حاد جداً - توخى الحذر دائماً عند التعامل معه.

## هام

- لا تقومي بتحضير التوابل - فقد تؤذي البلاستيك.
- لا تقومي بتحضير الطعام الصلب مثل حبوب القهوة ومكعبات الثلج أو الشكولاته - فقد يتلف سكين التقطيع.

## تلميحات

- يمكن الحصول على أفضل النتائج عند فرم الأعشاب النظيفة والجافة.
- أضيفي دائماً كمية قليلة من السائل عند خلط مكنونات سابقة الطهي عند تحضير غذاء الأطفال.
- قطعي الطعام مثل اللحم أو الخبز أو الخضراوات إلى مكعبات بحجم تقريبي 1-2 سم قبل التحضير.
- عند تحضير المايونيز أضيفي الزيت من خلال أنبوب إدخال الطعام.

## 25 مطحنة الفرم (في حالة تزويدها داخل عبوة البيع)

استخدمي مطحنة الفرم لمعالجة مكنونات جافة مثل المكسرات وحبوب القهوة وطحن التوابل مثل:-

حبوب الفلفل الأسود و بذور الهيل و بذور الكمون و بذور الكزبرة و بذور الشمر و وجذور الزنجبيل الطازجة و فصوص الثوم و قرون الفلفل الحار.

a) غطاء المطحنة

b) مجموعة شفرات مطحنة الفرم

## استخدام مطحنة الفرم

1 ضعي المكنونات على مجموعة الشفرات 14.

2 ركبى غطاء المطحنة a) ولفيه في اتجاه عقارب الساعة ليستقر في موضع القفل 14.

3 ضعي المطحنة على وحدة الطاقة (الموتور) ثم لفيها في اتجاه عقارب الساعة حتى تستقر في موضع التشبيك 15.

4 حددي السرعة المطلوبة أو استخدم وضع التشغيل النبضي (P).

## تلميحات

- للحصول على الأداء الأمثل عند تحضير التوابل ننصحك بعدم تحضير أكثر من 50 غرام من المكنونات في المرة الواحدة داخل المطحنة.
- تحتفظ قرون التوابل الكاملة بنكهتها فترة زمنية أطول من التوابل المطحونة لذلك فمن الأفضل طحن كمية صغيرة من قرون التوابل الكاملة لاستخدامها وذلك للاحتفاظ بالنكهة.
- للحصول على أقصى نكهة وزيوت أساسية من قرون التوابل الكاملة فمن الأفضل تحميص التوابل قبل طحنها.
- قطعي الزنجبيل إلى قطع صغيرة قبل تحضيره.
- للحصول على أفضل النتائج ننصحك باستخدام وعاء الطحن الصغير عند فرم الأعشاب.

## 26 العصارة (في حالة تزويدها داخل عبوة البيع)

استخدمي العصارة لتحضير العصير من الموالح (مثل البرتقال والليمون والليمون الحمضي والجريب فروت).

a) مخروط العصر

b) المصفاة

## استخدام العصارة

1 ركبى محور الدوران في وحدة الطاقة (الموتور).

2 ركبى السلطانية على وحدة الطاقة (الموتور).

3 ركبى المصفاة في السلطانية - تأكدي من استقرار مقبض المصفاة في مواضعه مباشرة على مقبض السلطانية 16.

4 ركبى مخروط العصر على محور الدوران وأديره حتى يستقر تماماً في القاع 17.

5 قطعي ثمار الفواكه إلى نصفين. ثم شغلي الجهاز واضغطي الفاكهة على مخروط العصر.

- لن تعمل العصارة في حالة تركيب المصفاة بشكل غير صحيح.
- للحصول على أفضل النتائج، خزني الفاكهة واعصريها في درجة حرارة الغرفة، أيضاً ليني الفاكهة قبل عصرها عن طريق دحرجتها على سطح منضدة العمل مع الضغط عليها براحة كفك.
- للمساعدة في استخلاص العصير، حركي الفاكهة من جانب لآخر أثناء العصر.
- عند عصر كمية كبيرة من الفاكهة، أفرغي المصفاة بانتظام لتجنب تراكم لب و بذور الفاكهة.

## استخدام الملحقات

راجعى جدول سرعات التشغيل الموصى بها لكل ملحق.

### 16) سكين التقطيع

يعتبر سكين التقطيع أكثر الملحقات من حيث تعددية الاستخدام. تحدد طول فترة التشغيل القوام الناتج. للحصول على قوام خشن، استخدمى وضع التشغيل النبضي. استخدمى سكين التقطيع لتحضير الكيك والمعجنات أو فرم اللحم الخام أو المطهى، استخدميه أيضاً لتحضير الخضراوات والمكسرات والفطائر والمغموسات والحساء المهروس وأيضاً لتحضير كسر البسكويت والخبز.

#### تلميحات

- قطعي الطعام مثل اللحم أو الخبز أو الخضراوات إلى مكعبات بحجم تقريبي ٢ سم قبل التحضير.
- يجب تكسير البسكويت إلى قطع صغيرة وإضافته عن طريق غطاء أنبوب إدخال المكونات أثناء تشغيل الجهاز.
- عند تحضير المعجنات استخدمى الدهون مباشرة من المجمد مع تقطيعها في صورة مكعبات بحجم تقريبي ٢ سم.
- توخى الحذر حتى لا تتجاوزى الفترة المطلوبة لتحضير الطعام.

### 17) أداة العجين

تستخدم مع خلطات العجين المخمرة.

- ضعي المكونات الصلبة في السلطانية وأضيفي السائل عن طريق أنبوب إدخال المكونات أثناء تشغيل الجهاز. استمري في التشغيل حتى تكون كرات لدنة من العجين، تستغرق هذه العملية نحو ٦٠ ثانية.
- أعيدي العجن بيديك فقط، غير منصوح بإعادة العجن في السلطانية حيث قد يؤدي ذلك إلى عدم استقرار جهاز تحضير الطعام.

### 18) قرص السعة القصوى

عند خلط السوائل في السلطانية، يجب استخدام قرص السعة القصوى مع نصل السكين. حيث يعمل القرص على تحسين الفرم ومنع التسرب.

- ١ ركبى محور الدوران في وحدة الطاقة (الموتور).
- ٢ ركبى السلطانية على وحدة الطاقة (الموتور).
- ٣ ركبى سكين التقطيع.
- ٤ ضعي المكونات المراد تحضيرها.
- ٥ ركبى قرص السعة القصوى على قمة نصل السكين وتأكدى من استقرارها على الحافة الموجودة داخل السلطانية 7. لا تضغطي على قرص السعة القصوى لأسفل.
- ٦ ركبى الغطاء العلوي وشغلي الجهاز.

### 20) خفاقة البيض الثنائية (في حالة تزويدها داخل عبوة البيع)

يستخدم للخلطات الخفيفة مثل بياض البيض أو القشدة أو الحليب المجفف وأيضاً لخفق البيض والسكر لتحضير الكيك الإسفنجي الخالي من الدسم.

### استخدام مضرب البيض

- ١ ركبى محور الدوران في وحدة الطاقة (الموتور).
- ٢ ركبى السلطانية على وحدة الطاقة (الموتور).
- ٣ ادفعي كل مضرب 8 بإحكام داخل رأس المحرك.
- ٤ ركبى مضرب البيض من خلال لفة بحذر حتى يسقط على محور الدوران.
- ٥ أضيفي المكونات.
- ٦ ركبى الغطاء العلوي - مع التأكد من استقرار طرف محور الدوران في مركز الغطاء العلوي.
- ٧ شغلي الجهاز.

## هام

- مضرب البيض غير مناسب للاستخدام مع خلطات الكعكات الجاهزة حيث أن قوام هذه الكعكات تخين وسوف يتسبب في تلف المضرب. استخدمى دائماً نصل السكين.

#### تلميحات

- يمكنك الحصول على أفضل النتائج عندما تكون درجة حرارة البيض هي نفس درجة حرارة الغرفة.
- تأكدى من نظافة السلطانية ومضرب البيض وعدم وجود أي دهون قبل الخفق.
- مزج السمن/الزبد مع السكر للحصول على أفضل النتائج، يترك السمن/الزبد ليصبح طرياً في درجة حرارة الغرفة (٢٠ درجة مئوية) قبل الخفق. لا تستخدمى السمن/الزبد مباشرة بعد إخراجها من الفلاجة لأن ذلك سيؤدي إلى تلف المضرب.
- المكونات التخينة مثل الدقيق والفواكه المجففة يجب فركها باليد لتصبح طرية.
- لا تتجاوزى السعات القصوى الموصى بها أو فترات المعالجة المحددة في جدول السرعات الموصى بها.

### أقراص التقطيع/التقطيع الطولي (البشر)

أسطح التقطيع/التقطيع الطولي القابلة للعكس 19, 21 استخدمى جانب التقطيع الطولي مع الجبن والجزر والبطاطس والأطعمة التي لها نفس ذلك القوام. استخدمى جانب التقطيع مع الجبن والجزر والبطاطس والكرنب والخيار والكوسة والبنجر والبصل.

### قرص التقطيع الطولي (البشر) الناعم 22 (في حالة تزويدها داخل عبوة البيع)

يستخدم في بشر جبن البارميزان والبطاطس لتحضير فطائر البطاطس الألمانية.

### قرص الأصابع الرفيعة 23 (في حالة تزويدها داخل عبوة البيع)

لتقطيع البطاطس في صورة أصابع رفيعة ومكونات الخضار السوتيه والمغموسات (مثل الخيار والتفاح والكمثرى).

### استخدام أسطح التقطيع

- ١ ركبى محور الدوران في وحدة الطاقة (الموتور).
- ٢ ركبى السلطانية على وحدة الطاقة (الموتور).
- ٣ امسكي سطح التقطيع من المقبض المركزي ثم ضعي السطح على محور الدوران مع توجيه السطح الملائم لأعلى 9.
- ٤ ركبى الغطاء العلوي.
- ٥ أدخلى الطعام من خلال أنبوب إدخال المكونات. اختاري حجم فتحة إدخال المكونات المراد استخدامها. تتضمن مجموعة عصا دفع المكونات أنبوب تغذية صغير لإدخال المكونات الرفيعة أو المكونات في صورة فردية على حدة. لاستخدام أنبوب إدخال الطعام الصغير - ركبى أولاً مقبض دفع الطعام الكبير داخل أنبوب إدخال الطعام.
- ٦ لاستخدام أنبوب إدخال الطعام الكبير - استخدمى مقبض دفع الطعام معاً.

شغلي الجهاز مع دفع الطعام بالتساوي بواسطة عصا دفع المكونات - احذري وضع أصابعك داخل فتحة إدخال المكونات.

## جدول السرعات الموصى بها

الاداة/الملحق	الوظيفة	السرعة الموصى بها	زمن المعالجة *	السرعات القصوى
سكين التقطيع	خلطات الكعكات الجاهزة	٢	١٥ إلى ٢٠ ثانية	الوزن الإجمالي ١.٥ كغم
	المعجنات - خلط السمن مع الدقيق إضافة الماء لدمج مكونات المعجنات	١-٢	١٠ ثانية	الوزن الإجمالي ٣٤٠ غ
	فرم الأسماك واللحوم الباطشو والقوالب	٢	١٠ إلى ٢٠ ثانية	٦٠٠ غ لحم بقري طري
	فرم الخضراوات	تشغيل نبضي	٥ إلى ١٠ ثانية	٥٠٠ غ
	فرم المكسرات	٢	١٠ إلى ٢٠ ثانية	٢٠٠ غ
	هرس الفواكه اللينة والفواكه والخضروات المطهية	٢	١٠ إلى ٢٠ ثانية	١ كغم
	الصلصات ومرق التوابل والمغموسات	٢	٢ دقيقة كحد أقصى	٨٠٠ غ
سكين التقطيع مع قرص السعة القصوى	الحساء البارد	ابدئي على السرعة ١ ثم ارفعيها إلى السرعة ٢	١٥ إلى ٢٠ ثانية	١.٥ لتر
	الحليب المخفوق/العجائن السائلة		١٥ إلى ٢٠ ثانية	١ لتر
مضرب البيض الثنائي	بياض البيض	٢	٦٠ إلى ٩٠ ثانية	٦ (٢٠٠ غ)
	البيض والسكر للكيك الإسفنجي خالي الدسم	٢	٤ إلى ٥ دقائق	٣ (١٥٠ غ)
	القسدة	٢	٣٠ ثانية	٥٠٠ مل
	مزج السمن مع السكر	٢	٢ دقيقة كحد أقصى	٥٠٠ مل سمن/زبد
أداة العجين	الخلطات المخمرة	٢	٦٠ ثانية	الوزن الإجمالي ١ كغم
	دقيق الخبز الأبيض	٢	٦٠ ثانية	الوزن الإجمالي ٦٠٠ غ
	دقيق الخبز الأسمر	٢	٦٠ ثانية	الوزن الإجمالي ٥٠٠ غ
قرص التقطيع/التقطيع الطولي	الطعام صلب مثل الجزر، والجبن الصلب	١-٢	-	لا تتجاوزي السعة القصوى المشار إليها على السلطانية
	المكونات اللينة مثل الخيار، الطماطم	١-٢	-	
	جبن بارميزان، البطاطس لفظائر البطاطس الألمانية	٢	-	
	لتقطيع البطاطس في صورة أصابع رفيعة ومكونات الخضار السوتيه والمغموسات (مثل الخيار والتفاح والكمثري)	٢	-	
المسيل	السوائل والمشروبات الباردة	٢	١٥ إلى ٢٠ ثانية	١.٥ غ
	حساء اللحوم	٢	٣٠ ثانية	١.٢ غ
	الحساء المحضر مع الحليب	٢	٣٠ ثانية	١ غ
السلطانية الصغيرة والشفرات	مخاطر التعرض لحروق: بجب السماح بتبريد المكونات الساخنة إلى درجة حرارة الغرفة قبل عملية الخلط.			
	اللحوم	٢	٢٠ ثانية + تشغيل نبضي	٢٠٠ غ لحم بقري طري
	فرم الأعشاب	٢	٣٠ ثانية	١٥ غ
	فرم المكسرات	٢	٣٠ ثانية	٥٠ غ
	المايونيز	٢	٣٠ ثانية	٢ بيضات ٣٠٠ غ زيت
	المهروسات	٢	٣٠ ثانية	٢٠٠ غ
عصارة موالح	الفواكه الصغيرة مثل الليمون الحمضي والليمون	١	-	١ كغم
	الفواكه الكبيرة مثل البرتقال والغريب فروت	٢	٢٠ إلى ٦٠ ثانية	٥٠ غرام
مطحنة الفرغ	تحضير العديد من التوابل	تشغيل نبضي	١٠ ثانية	٥٠ غرام
	طحن حبوب القهوة		١٠ ثانية	٥٠ غرام
	فرم المكسرات	تشغيل نبضي	١٠ ثانية	٣٠ غرام


\* الأزمنة المعروضة هي أزمنة إرشادية فقط وتختلف حسب الوصفة والمكونات المستخدمة.


## A - الملحقات القياسية

- 16 شفرة السكين
- 17 أداة العجن
- 18 قرص السعة القصوى
- 19 سطح التقطيع السميكة / التقطيع الطولي (البشر) الخشن

## استخدام

- ١ ركبى حلقة الإحكام 13 على وحدة الشفرات 14 - مع التأكد من استقرار حلقة الإحكام في موضعها بشكل صحيح. إذا كانت حلقة الإحكام تالفة أو غير محكمة بشكل صحيح فسوف يحدث تسريباً.
- ٢ ركبى وحدة الشفرات 14 على القاعدة 16.
- ٣ اربطى وحدة الشفرات في الدورق - مع التأكد من ربط مجموعة الشفرات بإحكام 4. راجعي الرسوم التوضيحية الموجودة على الجانب السفلي لوحدة الشفرات وهي كالتالي:

موضع الفتح = 

موضع القفل = 

لن يعمل المسيل في حالة تركيبه بشكل غير صحيح.

- ٤ ضعي مكوناتك بداخل الدورق.
- ٥ ركبى غطاء المرشح على الغطاء العلوي ثم ضعي الغطاء العلوي على الدورق ولفيه في اتجاه عقارب الساعة 5 لقفله في موضع التعشيق.
- ٦ ركبى الخلاط على وحدة الطاقة (الموتور) مع تدويره في اتجاه عقارب الساعة حتى يتم تعشيقه في موضع التثبيت 6.
- لن يعمل الجهاز في حالة تركيب المسيل بشكل غير صحيح مع تعشيق القفل.
- ٧ حددي السرعة المطلوبة (راجعى جدول السرعات الموصى بها) أو استخدمى تحكم التشغيل النبضي.

### ملاحظات مفيدة

- عند تحضير المايونيز، ضعي كل المكونات في المسيل عدا الزيت. أزيلى غطاء فتحة التعبئة. ثم صبى الزيت بطريقة بطيئة من خلال الفتحة الموجودة في الغطاء العلوي أثناء تشغيل الجهاز.
- قد تحتاج الخلطات السميكة مثل المعجنات الهشة والمغموسات إلى تقطيع. إذا وجدت صعوبة في تحضيرها، أضيفي المزيد من السوائل.
- جرش الثلج - استخدمى وضع التشغيل النبضي حتى الحصول على قوام الجرش المطلوب.
- غير منصوح بطحن التوابل فقد تؤدي إلى إحداث أضرار بالأجزاء البلاستيكية.
- لن يعمل الجهاز في حالة تركيب المسيل بشكل غير صحيح.
- لخلط مكونات جافة - قطعها إلى أجزاء صغيرة ثم أزيلى غطاء فتحة التعبئة وأسقطها قطعة تلو الأخرى أثناء تشغيل الجهاز. أبق يدك فوق الفتحة للحصول على أفضل النتائج أفرغى المحتويات بشكل منتظم.
- لا تستخدمى المسيل كحاوية تخزين. حافظي على الدورق فارغاً قبل وبعد الاستخدام.
- لا تخلطى سعة أكبر من ١.٥ لتر - استخدمى سعة أقل مع السوائل الرغوية مثل الحليب المخفوق.

## B - ملحقات اختيارية

ليس بالضرورة تزويد كل الملحقات المدرجة أدناه داخل عبوة بيع موديل جهاز تحضير الطعام. تختلف الملحقات تبعاً لاختلاف موديلات الجهاز. للمزيد من المعلومات أو طلب الملحقات الإضافية يرجى مراجعة قسم الخدمة ورعاية العملاء.

- 20 خفاقة البيض الثنائية (في حالة تزويدها داخل عبوة البيع)
- 21 سطح التقطيع الرفيع / التقطيع الطولي (البشر) الناعم (في حالة التزويد داخل صندوق البيع)
- 22 قرص التقطيع الطولي (البشر) الناعم (في حالة تزويدها داخل عبوة البيع)
- 23 قرص الأصابع الرفيعة (في حالة تزويدها داخل عبوة البيع)
- 24 مطحنة الفرم في حالة تزويدها داخل عبوة البيع
- 25 عصارة موالح (في حالة تزويدها داخل عبوة البيع)
- 26 مستخلص العصير المعدني (في حالة تزويدها داخل عبوة البيع)

## لاستعمال جهاز معالجة الطعام

- ١ ركبى محور الدوران في وحدة الطاقة (الموتور) 1.
- ٢ ركبى السلطانية على وحدة الطاقة (الموتور). ضعي المقيض ناحية الجانب الأيمن ولفي في الاتجاه للأمام حتى تستقر السلطانية في موضع التعشيق 2.
- ٣ ركبى الملحق على محور الدوران الموجود في السلطانية.
- ركبى دائماً وعاء التقطيع والملحق في جهاز تحضير الطعام قبل إضافة المكونات.
- ٤ ركبى الغطاء العلوي مع التأكد من استقرار الجزء العلوي من محور الدوران/الأداة في مركز الغطاء العلوي 3.
- لن يعمل جهاز تحضير الطعام في حالة تركيب السلطانية أو الغطاء العلوي بطريقة غير صحيحة في موضع تعشيق القفل. تأكدي من توجيه أنبوب إدخال المكونات ومقبض السلطانية إلى الجانب الأيمن للجهاز.
- ٥ وصلي الجهاز بمصدر التيار الكهربى. حددي أي من الخيارات التالية :-
  - مفتاح تحديد السرعة Speed Control س - اختارى السرعة المطلوبة يدوياً (راجعى جدول السرعات الموصى بها).
  - التشغيل النبضي Pulse س - استخدمى مفتاح وضع التشغيل النبضي (P) للتشغيل لفترات قصيرة. يعمل وضع التشغيل النبضي طوال فترة الضغط على مفتاح التحكم.
  - ٦ في نهاية عملية المعالجة، لفي زر تحكم السرعة إلى موضع الإيقاف "OFF" (O).
- أوقفى دائماً تشغيل الجهاز قبل إزالة الغطاء العلوي.

### ملاحظة هامة

- جهاز تحضير الطعام غير ملائم لطحن حبوب القهوة أو تحويل حبيبات السكر إلى سكر بودرة.

## لسلامتك عند استخدام قرص التقطيع/التقطيع الطولي (البشر)

- يحذر إزالة الغطاء العلوي قبل توقف أسطح التقطيع تماماً.
- توخي الحذر أثناء التعامل مع سطح التقطيع - أسطح التقطيع حادة جداً
- لا تتجاوزي السعة القصوى للسلطانية - لا تتجاوزي السعة القصوى المشار إليها على السلطانية.

## تعليمات السلامة الخاصة بالوعاء الصغير والسكين

- يحذر إزالة الغطاء العلوي قبل توقف سكين التقطيع تماماً.
- سكين التقطيع حاد جداً - توخي الحذر دائماً عند التعامل معه.

## لسلامتك عند استخدام القطاعة/المفرمة الصغيرة

- لا تركيب وحدة الشفرات في الجهاز بدون تركيب الغطاء العلوي .
- يحذر فك الغطاء العلوي للقطاعة/المفرمة الصغيرة أثناء تركيبها في الجهاز.
- لا تلمسي الشفرات الحادة. ابقِي على الأطفال بعيداً عن وحدة الشفرات.
- يحذر إزالة القطاعة/المفرمة الصغيرة قبل توقف الشفرات عن الحركة تماماً.
- لضمان الحصول على عمر تشغيلي طويل للقطاعة/المفرمة الصغيرة، لا تشغيلها لفترة مستمرة أطول من ٦٠ ثانية. أوقف تشغيلها بمجرد حصولك على القوام المطلوب.
- لن يعمل الجهاز في حالة تركيب القطاعة/المفرمة الصغيرة بشكل غير صحيح.
- لا تحضري جذور الكركم بواسطة القطاعة/المفرمة الصغيرة حيث أنها صلبة جداً وقد تتلف الشفرات.
- لا تعالجي مكونات ساخنة في المطحنة. اتركي المكونات لكي تبرد وتصل حرارتها إلى درجة حرارة الغرفة قبل المعالجة.

## مفتاح الرموز

### جهاز تحضير الطعام

- ① وحدة الطاقة
- ② عمود ادارة قابل للفصل
- ③ السلطانية
- ④ غطاء
- ⑤ انبوب التغذية
- ⑥ دافعات
- ⑦ آقفال الأمان
- ⑧ مفتاح التحكم في السرعة/التشغيل النبضي
- ⑨ مخزن السلك (في الخلف)

### المسيل

- ⑩ فتحة التعبئة
- ⑪ غطاء
- ⑫ الدورق
- ⑬ حلقة إحكام الإغلاق
- ⑭ وحدة الشفرة
- ⑮ القاعدة

## قبل توصيل الجهاز بمصدر التيار الكهربائي


- تأكدي من تماثل مواصفات مصدر التيار الكهربائي لديك مع المواصفات الموضحة على الجانب السفلي للجهاز.
- يتوافق هذا الجهاز مع تنظيمات الاتحاد الأوروبي 2004/1935 المتعلقة بالمواد والأجسام المتلامسة مع الأطعمة.

## قبل الاستعمال للمرة الأولى

- ١ أزيلِي أغطية النصل البلاستيكية عن سكين التقطيع. توخي الحذر فسكين التقطيع حاد جداً. يجب التخلص من هذه الأغطية حيث أنها مزودة لحماية سكين التقطيع أثناء التصنيع والنقل.
- ٢ اغسلي الأجزاء زجاجي قسم الرعاية والتنظيفس.

- يحذر تعرض وحدة الطاقة أو السلك الكهربى أو قابس التوصيل للماء.
- لا تسمحي بتدلي السلك الكهربى الزائد عن طاولة العمل ولا تسمحي له أيضاً بالتلامس مع أسطح ساخن.
- لا تتجاوزي السعات القصوى الموصى بها والمحددة في جدول السرعات.
- لا يجوز استخدام هذا الجهاز من قبل الأطفال. احتفظي بالجهاز والسلك الكهربى بعيداً عن متناول الأطفال.
- يجب الإشراف على الأطفال للتأكد من عدم عبثهم بالجهاز.
- يمكن استخدام الأجهزة من قبل أشخاص ذوي قدرات جسدية أو حسية أو عقلية منخفضة وممن هم دون خبرة أو معرفة باستخدام الأجهزة في حالة منحهم التعليمات الخاصة بالاستخدام أو الإشراف عليهم بحيث يمكنهم استخدامه بطريقة آمنة مع إدراك المخاطر التي تنطوي على استخدام الجهاز.
- استخدمى الجهاز فقط في الاستخدامات المنزلية المخصص لها. لن تتحمل شركة Kenwood أية مسؤولية في حالة استخدام الجهاز بطريقة غير صحيحة أو عدم الامتثال للتعليمات المذكورة.
- قد يؤدي سوء استخدام جهاز تحضير الطعام/المسيل إلى حدوث إصابات.
- تعتمد السعة القصوى على الملحق المستخدم والذي يستمد حمل أكبر. بعض من الملحقات الأخرى قد تستمد حمل أقل.
- راجعي القسم ذي الصلة من خلال قسم زاستخدام الملحقات لمعرفة المزيد من تحذيرات السلامة بالنسبة لكل ملحق على حدة.

### لسلامتك عند استخدام الخلاط

-  لا تستخدمى مكونات ساخنة أثناء التحضير.
- **مخاطر التعرض لحروق:** يجب ترك المكونات الساخنة حتى تبرد وتصبح في درجة حرارة الغرفة قبل إضافتها إلى الدورق أو قبل المزج.
- توخي الحذر دائماً عند التعامل مع وحدة الشفرات وتجنبي لمس حافة القطع الخاصة بالشفرات أثناء التنظيف.
- يجب تشغيل المسيل فقط مع تركيب الغطاء العلوي في موضعه.
- استخدمى الدورق فقط مع وحدة الشفرات المزودة.
- يحذر تشغيل المسيل فارغاً.
- لضمان الحصول على عمر تشغيلي طويل للمسيل، لا تشغيله لمدة أطول من ٦٠ ثانية.
- بالنسبة لوصفات المشروبات المخفوقة ذات الرغوة - لا تخلطي المكونات المجمدة التي تحولت إلى كتلة صلبة أثناء التجميد، ولكن هشميها إلى أجزاء قبل إضافتها إلى الدورق.
- يحذر خلط مكونات تتجاوز الحد الأقصى للسعة - ١.٥ لتر.



## لسلامتك

- اقرئي التعليمات التالية واحتفظي بها في المتناول للاستخدامات المستقبلية المرجعية.
- أزيلتي مكونات التغليف وأية ملصقات.
- في حالة تلف السلك الكهربائي، يجب استبداله لأسباب متعلقة بالسلامة من قبل KENWOOD أو مركز صيانة معتمد من قبل KENWOOD.
- الشفرات وأسطح القطع حادة، يجب التعامل معها بمنتهى الحذر. امسكي دائماً نصل السكين بقبضة الإصبع من الجزء العلوي بعيداً عن حافة التقطيع، سواء عند الاستخدام أو التنظيف.
- لا تستخدم مكونات ساخنة أثناء التحضير.
- لا تقومي برفع أو حمل جهاز تحضير الطعام من المقبض - حيث قد ينكسر المقبض مما ينتج عنه حدوث إصابات.
- أزيلتي سكين التقطيع دائماً قبل صب المحتويات من وعاء التقطيع.
- أبقِي على يديك وأدوات المطبخ خارج وعاء التقطيع ودورق المسيل أثناء التوصيل مع مصدر التيار الكهربائي.
- قومي بإيقاف تشغيل الجهاز وفصله عن مصدر التيار الكهربائي:-
  - قبل تركيب وإزالة الأجزاء؛
  - في حالة عدم الاستخدام؛
  - قبل التنظيف.
- لا تستخدم أصابعك لدفع الطعام خلال أنبوب التغذية. استخدم دائماً عصا دفع المكونات المزودة.
- يحذر تركيب وحدة الشفرات على وحدة الطاقة (الموتور) بدون تركيب دورق الخلاط أو القطاعة/المفرمة الصغيرة.
- قبل إزالة الغطاء العلوي عن السلطانية أو الخلاط أو القطاعة/المفرمة الصغيرة عن وحدة الطاقة (الموتور):-
  - أوقف تشغيل الجهاز؛
  - انتظري حتى توقف الملحقات/الشفرات تماماً عن الحركة؛
  - توخي الحذر حتى لا ينفصل دورق الخلاط أو القطاعة/المفرمة الصغيرة عن وحدة الشفرات.
- لا تستخدم الغطاء العلوي لتشغيل جهاز تحضير الطعام، استخدم دائماً زر تحكم السرعة On/Off (تشغيل/إيقاف).
- سيتلف الجهاز وقد تحدث إصابات في حالة تعرض آلية التعشيق لقوة مفرطة.
- افصلي دائماً جهاز تحضير الطعام عن مصدر التيار الكهربائي في حالة عدم استخدامه.
- يحذر استخدام أي ملحقات غير معتمدة.
- لا تتركي الجهاز دون ملاحظة أثناء تشغيله.
- يحذر استخدام الجهاز في حالة تلفه. في مثل هذه الحالة، يجب فحص الجهاز أو إصلاحه: راجعي قسم الصيانة ورعاية العملاء.





HEAD OFFICE: Kenwood Limited, 1-3 Kenwood Business Park, New Lane, Havant, Hampshire PO9 2NH

[kenwoodworld.com](http://kenwoodworld.com)

**KENWOOD**

CREATE MORE