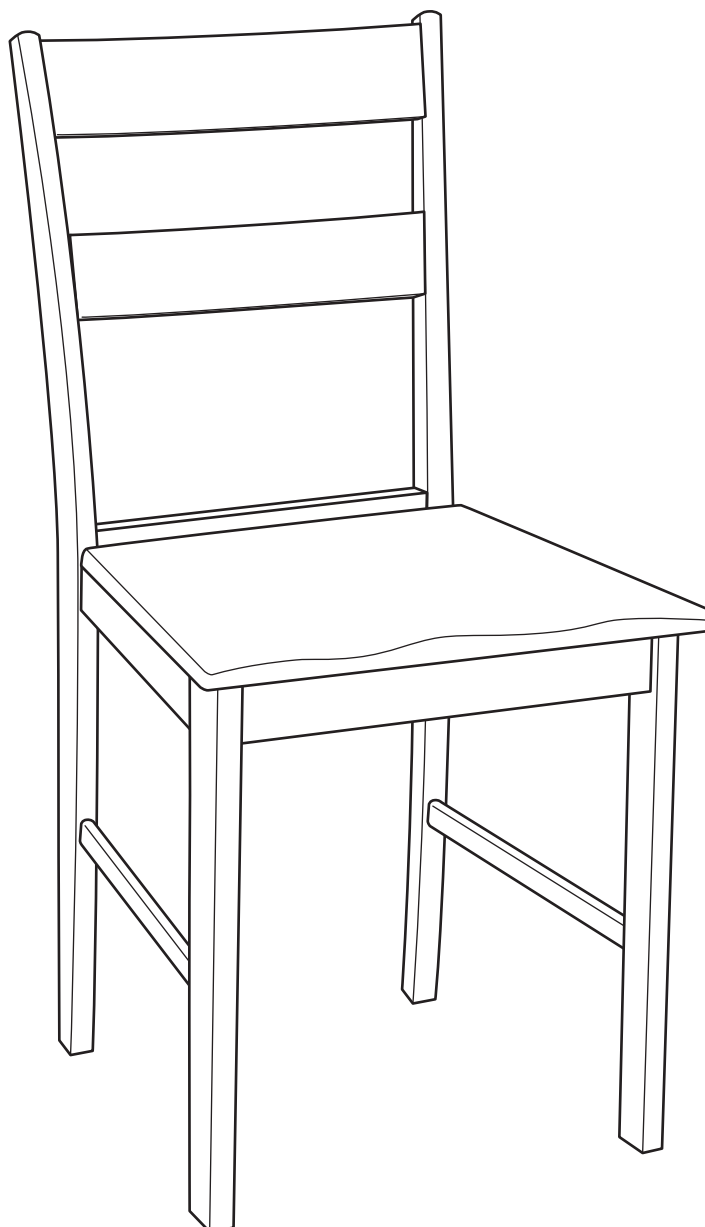


# Chicago Dining Chair

Assembly Instructions - Please keep for future reference

655/€H J

THE  
**COLLECTION**  
BY ARGOS



## Dimensions

Width - 41.5cm

Depth - 49.5cm

Height - 89cm

**Important** - Please read these instructions fully before starting assembly

If you need help or have damaged or missing parts, call the **Customer Helpline:**  
**Argos = 0345 640 0800**



# Safety and Care Advice

**Important - Please read these instructions fully before starting assembly**

- Check you have all the components and tools listed on the following pages.
- Remove all fittings from the plastic bags and separate them into their groups.
- Keep children and animals away from the work area, small parts could choke if swallowed.
- Make sure you have enough space to layout the parts before starting.

- During assembly do not stand or put weight on the product, this could cause damage.
- Assemble the item as close to its final position (in the same room) as possible.
- Assemble on a soft level surface to avoid damaging the unit or your floor.
- Parts of the assembly will be easier with 2 people.



• We do not recommend the use of power drill/drivers **for inserting screws**, as this could damage the unit. Only use hand screwdrivers.

- Unit weight: 5 kgs.
- Maximum safe weight of user: 110kgs.

## Care and maintenance

- Only clean using a damp cloth and mild detergent, do not use bleach or abrasive cleaners.
- From time to time check that there are no loose screws on this unit.

- Do not stand on the chair.
- Do not use this chair as step ladder.
- This product should not be discarded with household

waste. Take to your local authority waste disposal centre.

## Handy Hints

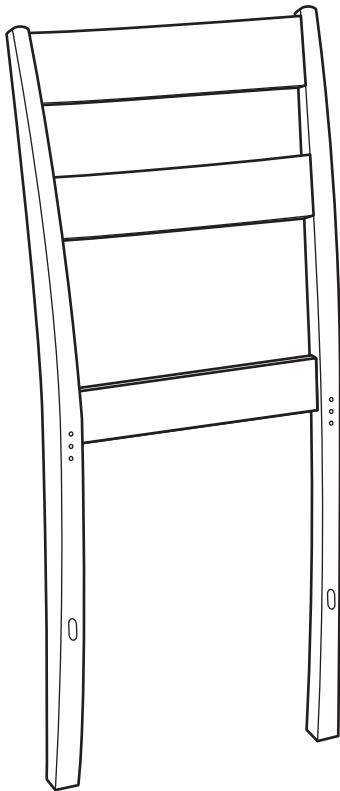
- Assemble all parts and bolts loosely during assembly, only once the product is complete should you fully tighten the bolts.
- Regularly check and ensure that all bolts and fittings are tightend properly.

# Components - Parts

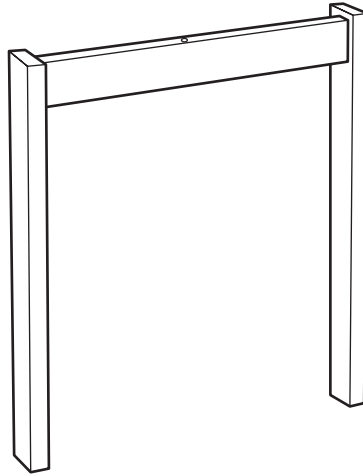
If you have damaged or missing components, call the Customer Helpline: Argos = 0345 640 0800

Please check you have all the parts listed below

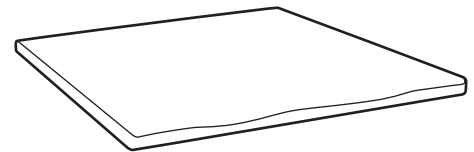
**Note:** The quantities below are the correct amount to complete the assembly of 1 chair.



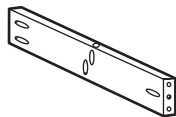
**1** Backrest  
(8 x 40 x 89cm)



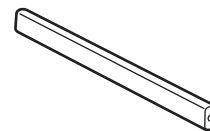
**2** Front Leg  
(4.5 x 37 x 42cm)



**3** Seat  
(2 x 40 x 41.5cm)



**4** Side Rail x 2  
(2 x 6 x 33cm)

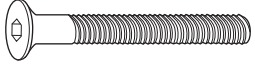


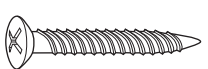



**5** Stretcher x 2  
(1.2 x 2.1 x 36cm)

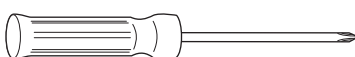
# Components - Fittings

Please check you have all the fittings listed below

**Note:** The quantities below are the correct amount to complete the assembly of 1 chair. In some cases more fittings may be supplied than are required.

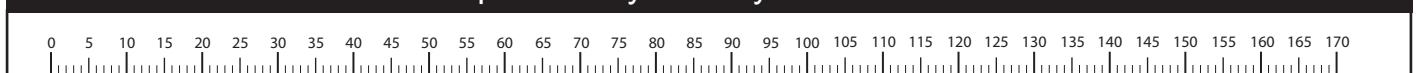
<p><b>A</b> </p> <p>M6 x 50mm Bolt x 6</p>	<p><b>B</b> </p> <p>Spring washer x 6</p>	<p><b>C</b> </p> <p>Wooden dowel x 6</p>
<p><b>D</b> </p> <p>M4 x 32mm Screw x 7</p>	<p><b>E</b> </p> <p>Allen key x 1</p>	

## Tools required



Crosshead screwdriver

**Ruler** - Use this ruler to help correctly identify the screws

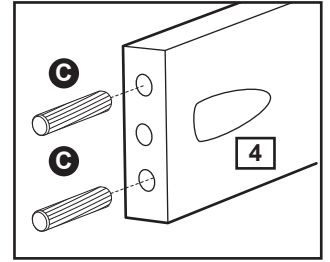
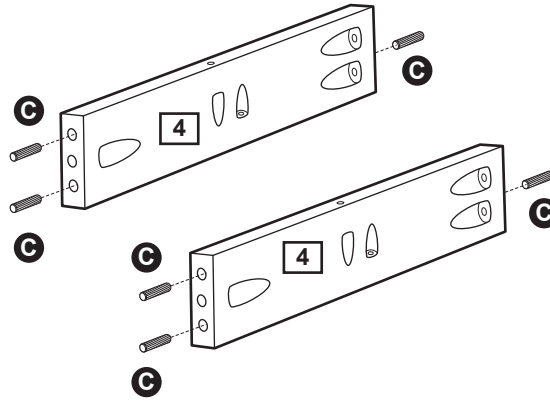


# Assembly Instructions

## Step 1

### Fitting dowels

Insert wooden dowels **C** into holes on the side rails **4** as shown.



## Step 2

### Attaching side rails

Place the front leg **2** on a flat protected surface.

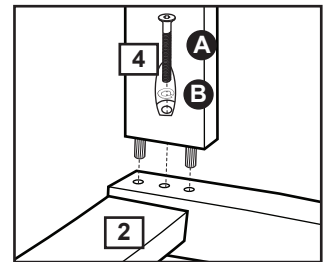
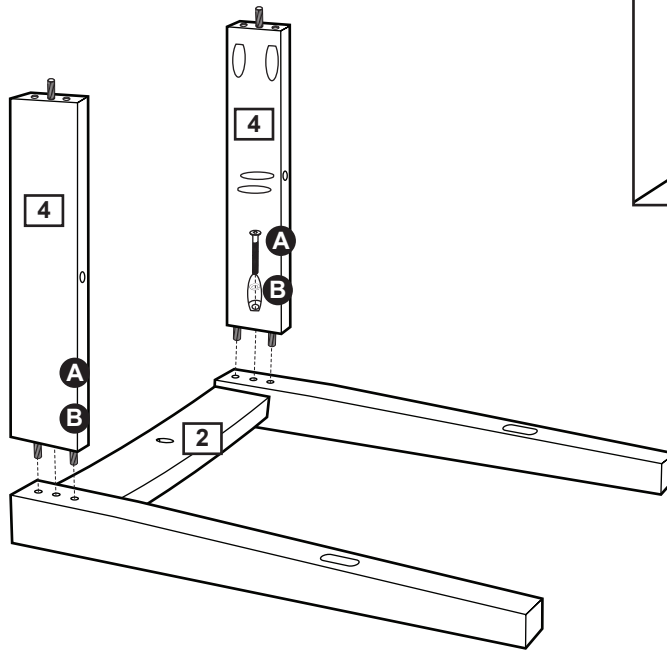
Position the siderails **4** as shown and insert the wood dowels into holes on the front leg. Then fix using bolts **A** and spring washers **B**.



#### Important note:

Ensure to connect the front edge of the side rail which is marked with a hole as shown on the inset diagram.

Fasten bolts using allen key **E** but do not fully tighten at this stage. Use oval head of allen key when tightening bolts on corner positions.

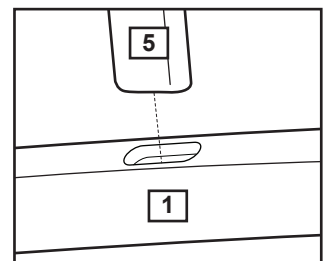
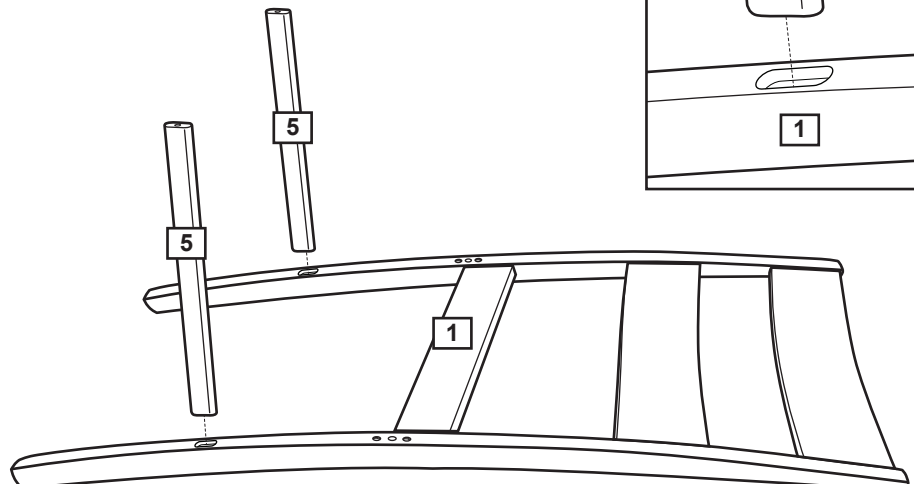


## Step 3

### Attaching stretchers

Place the backrest **1** on a flat protected surface.

Position the stretcher **5** as shown and insert into the hole on the backrest.



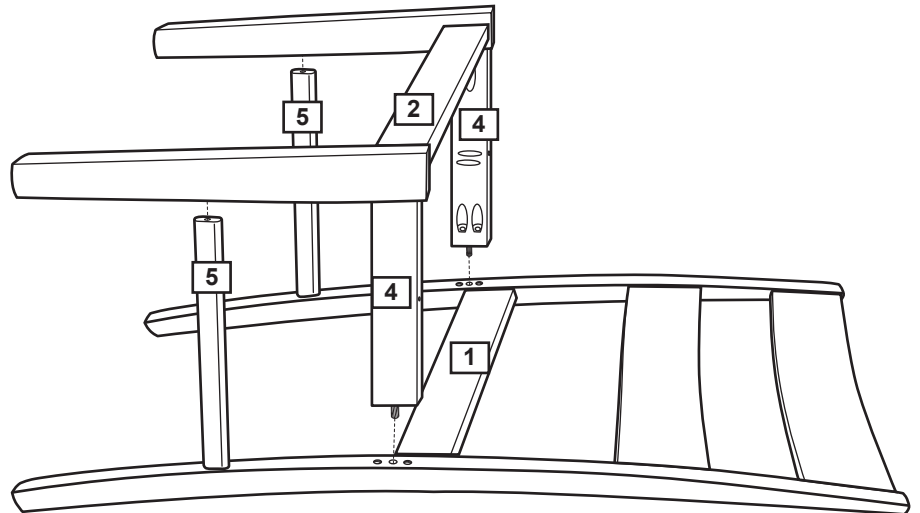
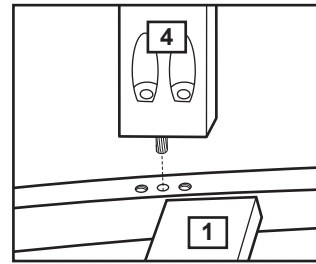
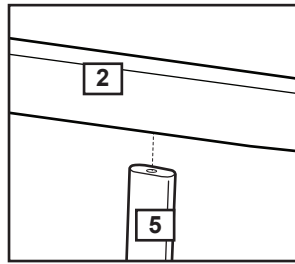
# Assembly Instructions

## Step 4

### Attaching backrest

Then align and insert the stretchers [5] into holes on the front leg [2].

Position the siderails [4] as shown and insert the wood dowel into center holes on backrest [1].



## Step 5

### Securing backrest

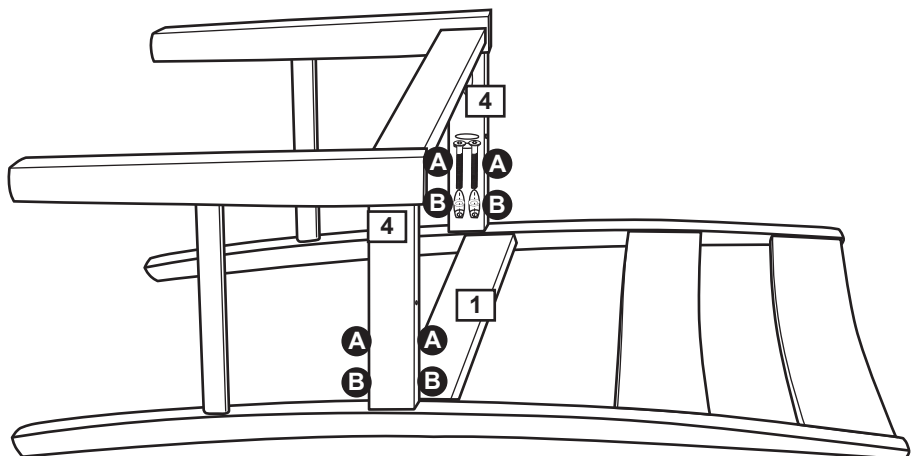
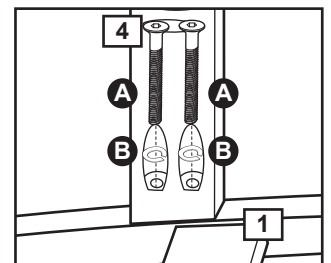
Fix the backrest [1] to siderail [4] using bolts [A] and spring washers [B].



**Note:**

Fasten bolts using allen key [E] but do not fully tighten at this stage.

Use oval head of allen key when tightening bolts on corner positions.



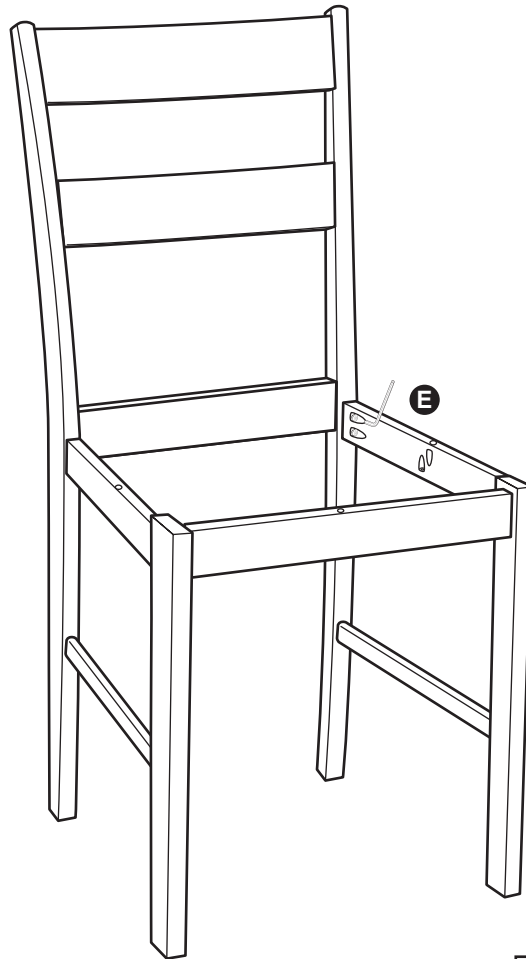
# Assembly Instructions

## Step 6

### Aligning the legs

Carefully turn the chair upright and place on a flat surface.

Make adjustments to ensure the chair frame is straight and the legs are even on the floor then fully tighten all bolts assembled in previous steps using allen key **E**.



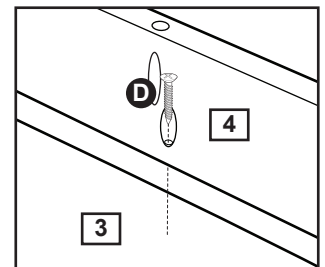
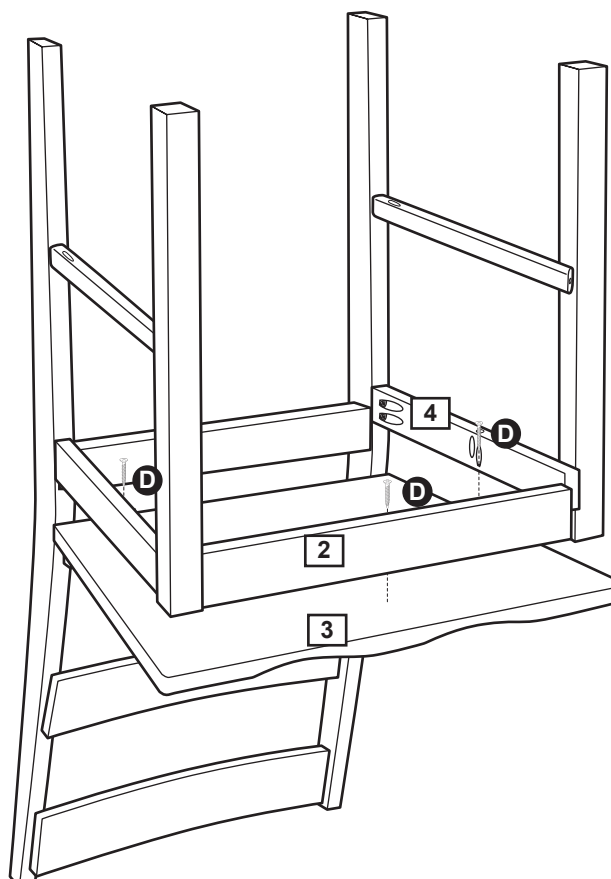
## Step 7

### Attaching seat

Carefully place the seat **3** face down on a raised protected surface.

Position the chair on the centre of the seat and fix through holes on side rails **4** and front leg **2** using screws **D**.

Tighten screws using a crosshead screwdriver.



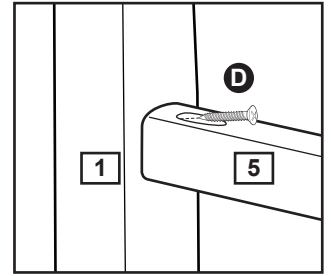
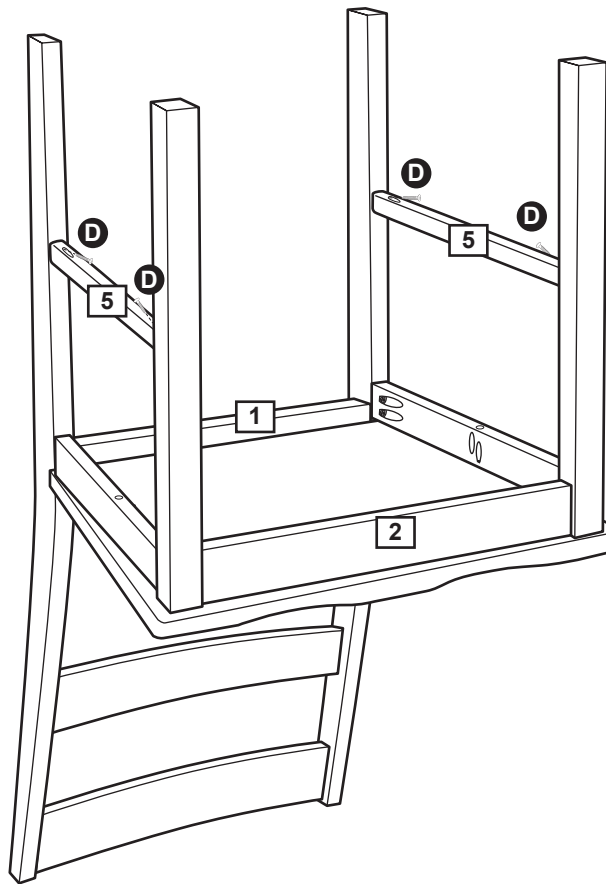
# Assembly Instructions

## Step 8

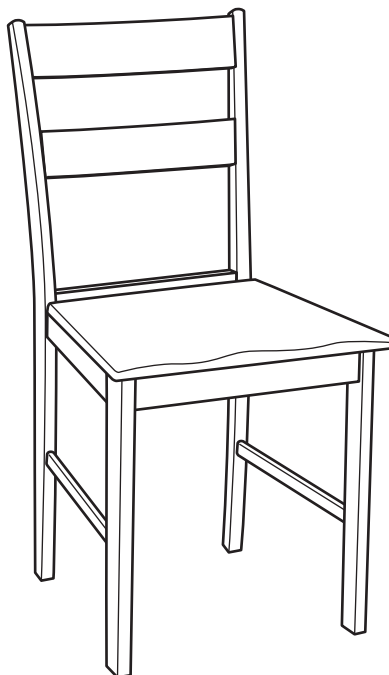
### Securing the stretchers

Secure the stretchers **5** to the backrest **1** and front leg **2** using screws **D**.

Tighten screws using crosshead screwdriver.



Carefully turn over the unit after assembly.



**Assembly is complete.**

If you need help or have damaged or missing parts, call the **Customer Helpline:**  
**Argos = 0345 640 0800**