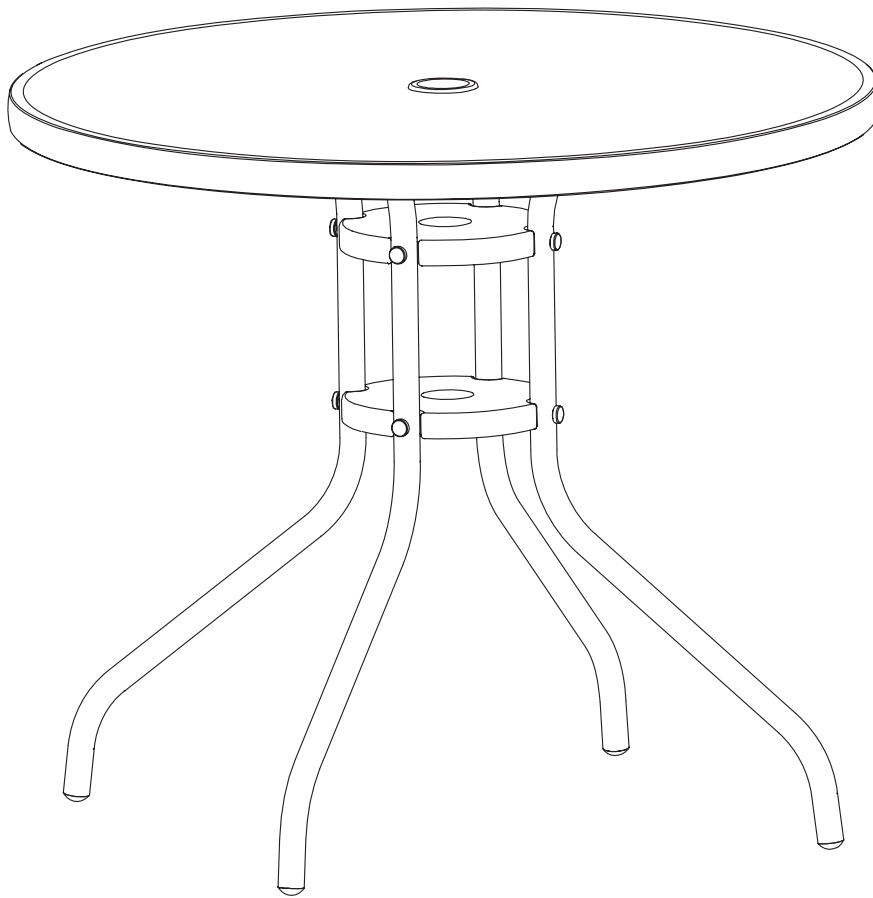


# AVR 4 Seater Patio Set - Table

Assembly Instructions - Please keep for future reference

651/1555



## Dimensions

Diameter - 80cm

Height - 70cm

**Important** – Please read these instructions fully before starting assembly

If you need help or have damaged or missing parts, call the Customer Helpline: 08456 400 800



# Safety and Care Advice

**Important** Please read these instructions fully before starting assembly

- This product is manufactured from toughened safety glass. In the unlikely event that the glass fails it will break in to a large number of small fragments that may be spread over a wide area. This is a feature of toughened glass, designed to remove the risk of injury from glass breaking into large shards.
- If the glass is chipped or broken, stop using the product and consult the manufacturer or supplier.
- Check you have all the

components and tools listed on page 2.

- Remove all fittings from the plastic bags and separate them into their groups.
- Keep children and animals away from the work area, small parts could choke if swallowed.
- Make sure you have enough space to layout the parts before starting.
- Do not stand or put weight on the parts during assembly, this could cause damage.

- Assemble on a soft level surface to avoid damaging the unit or your floor.
- Dispose of all packing carefully and responsibly.
- Do not sit or stand upon horizontal glass surface.
- Do not place very hot or very cold items on the glass unless adequately thick tablemats are used to prevent such items from coming into contact with the glass.
- **Warning:** The unit weights approximately 10kgs.

**Please lift with care.**

## Care and maintenance

- Wash frame parts with mild soap and water, rinse thoroughly, and dry frame completely. Do not use bleach, acid, or other solvents on the frame parts.
- Wash glass with mild soap and water, rinse thoroughly, and dry glass completely.

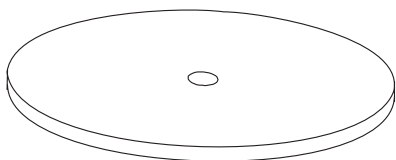
- When moving the table, remove the umbrella. Do not drag.
- We recommend the use of furniture covers when not in use.
- Do not use the glass as chopping surface. Do not strike the glass with hard or pointed items.

- In order to prolong the life and beauty of your table, we recommend it be stored in a dry and protected area during off season periods.
- Do not use washing powders or any abrasive substances which may scratch the surface.

# Components - Parts

If you have damaged or missing components, call the customer Helpline: 08456 400 800

Please check you have all the parts listed below



**1** Table top x 1



**2** Table leg x 4








**3** Center connector x 2

# Components - Fittings

Please check you have all the fittings listed below

**Note:** The quantities below are the correct amount to complete the assembly. In some cases more fittings may be supplied than are required.

<p><b>A</b>  45mm Screw x 8</p>	<p><b>B</b>  Screw cap x 8</p>	<p><b>C</b>  Metal washer x 8</p>
<p><b>D</b>  Allenkey x 1</p>	<p><b>E</b>  (Have already fixed on the leg tube) Plastic support x 4</p>	

# Assembly Instructions

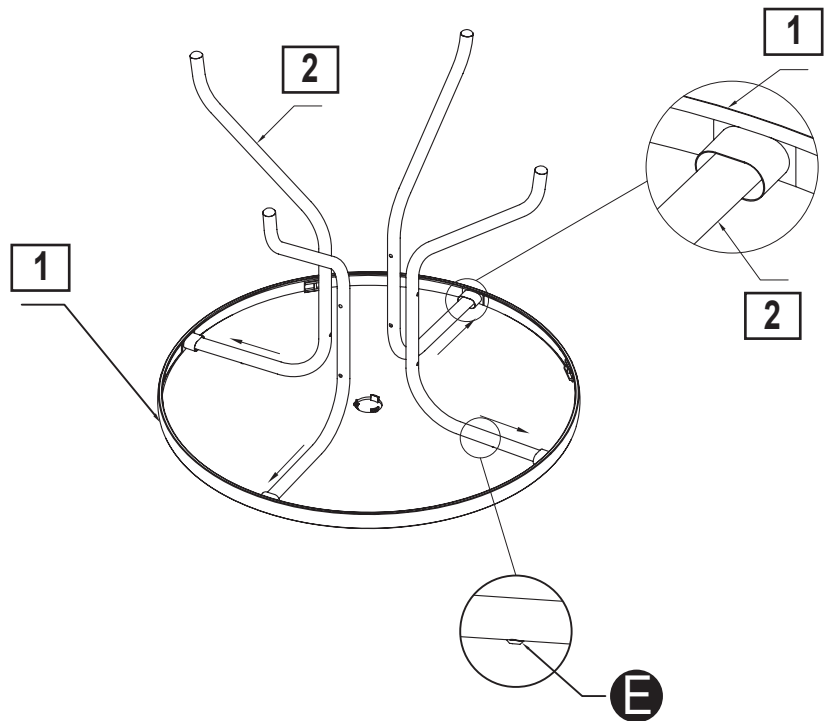
## Step 1

### Assembly frame

Place the table top **1** on a non-abrasive surface, such as carpet, with the underside facing up. Insert the legs **2** into the plastic holders attached on the back of the table top rim **1**.



**Important:**  
Make sure the plastic support **E** not detached from leg tube.

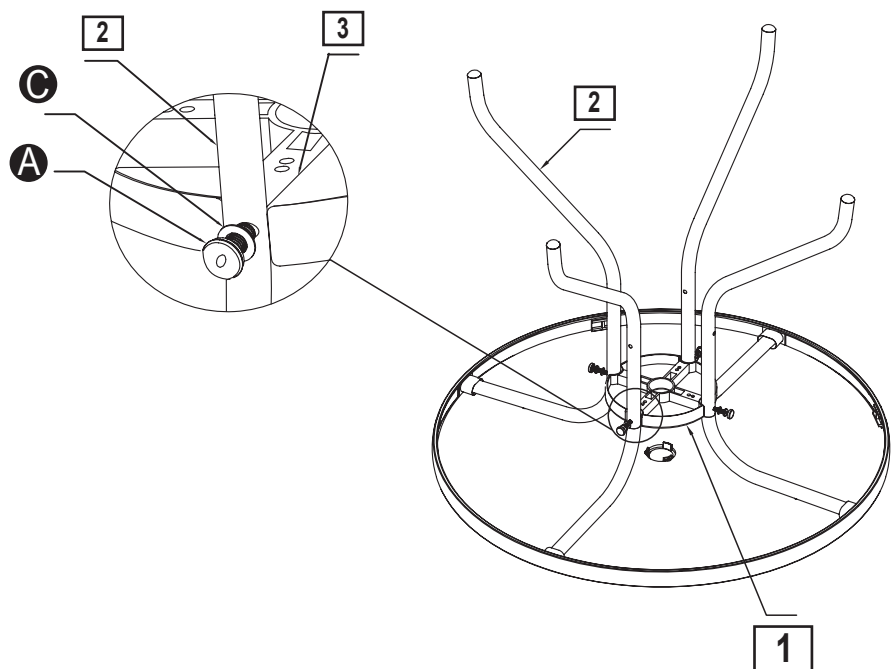


## Step 2

Mount and align the center connector **3** to the middle of the legs **2**, then fasten them by using washers **C** and screws **A**.



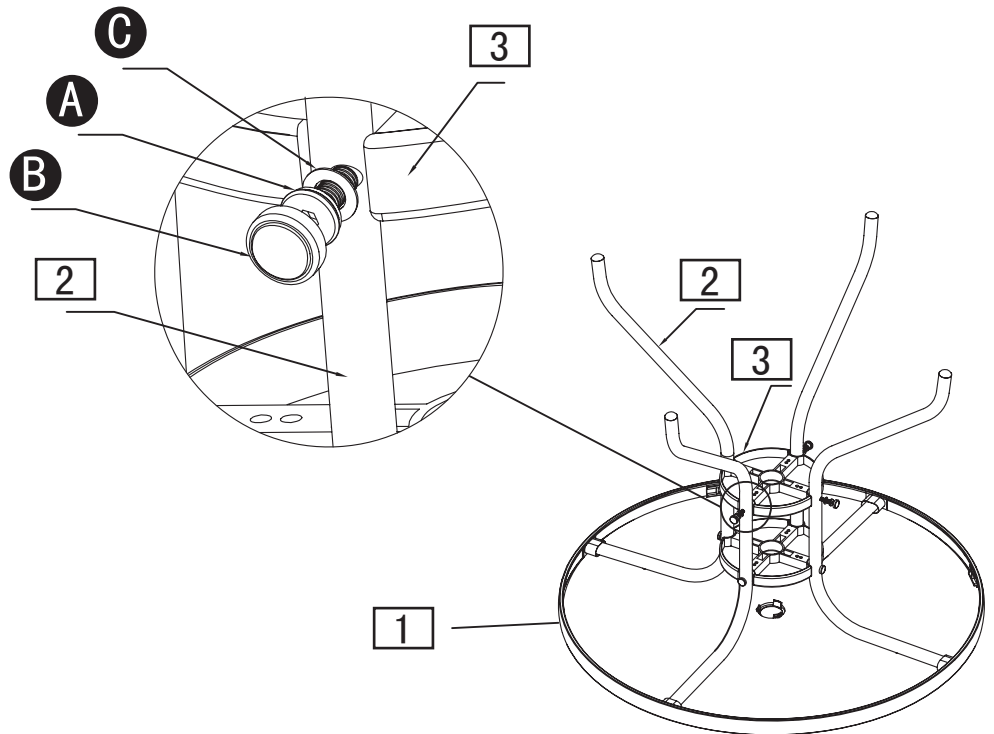
**Important:**  
Do not fully tighten all screws until assembly is complete.



# Assembly Instructions

## Step 3

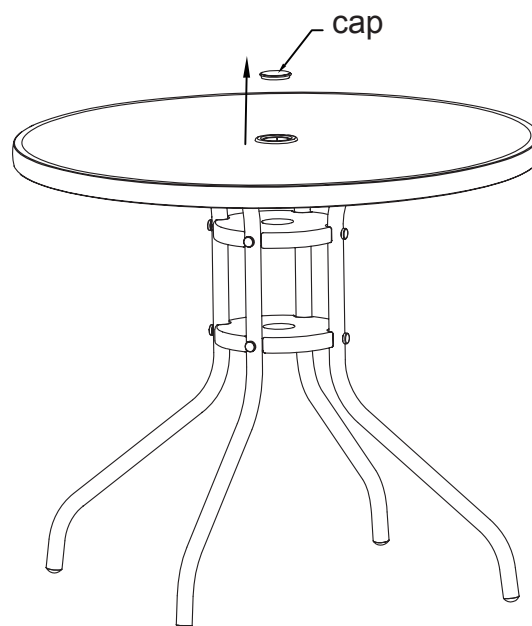
Repeat step 2 to install the center connector **3**. Tighten all the screws **A** and seal them with caps **B**.



## Step 4

Turn the table top **1** to its upright position and please remove the cap if you want to insert parasol.

**Assembly is complete.**



If you need help or have damaged or missing parts, call the **Customer Helpline: 08456 400800**  
Argos Limited  
489-499 Avebury Boulevard Saxon Gate West Central Milton Keynes Bucks, MK9 2NW