

Atlantic 4 Seater Patio Set -Table

Assembly Instructions - Please keep for future reference

651/1548



Dimensions

Width - 80cm
Depth - 80cm
Height - 71cm

Important – Please read these instructions fully before starting assembly

If you need help or have damaged or missing parts, call the Customer Helpline: 08456 400 800



Safety and Care Advice

Important Please read these instructions fully before starting assembly

- This product is manufactured from toughened safety glass. In the unlikely event that the glass fails it will break in to a large number of small fragments that may be spread over a wide area. This is a feature of toughened glass, designed to remove the risk of injury from glass breaking into large shards.
- If the glass is chipped or broken, stop using the product and consult the manufacturer or supplier.
- Check you have all the

components and tools listed on page 2.

- Remove all fittings from the plastic bags and separate them into their groups.
- Keep children and animals away from the work area, small parts could choke if swallowed.
- Make sure you have enough space to layout the parts before starting.
- Do not stand or put weight on the parts during assembly, this could cause damage.

- Assemble on a soft level surface to avoid damaging the unit or your floor.
- Dispose of all packing carefully and responsibly.
- Do not sit or stand upon horizontal glass surface.
- Do not place very hot or very cold items on the glass unless adequately thick tablemats are used to prevent such items from coming into contact with the glass.
- **Warning:** The unit weights approximately 10.7kgs.

Please lift with care.

Care and maintenance

- This product has been designed for careful domestic outdoor use.
- Wash frame parts with mild soap and water, rinse thoroughly, and dry frame completely. Do not use bleach, acid, or other solvents on the frame parts.
- Wash glass with mild

soap and water, rinse thoroughly, and dry glass completely

- When using a parasol with this table, always use a parasol base.
- When moving the table, remove the umbrella. Do not drag.
- We recommend the use of furniture covers when not in use.
- Do not use the glass as

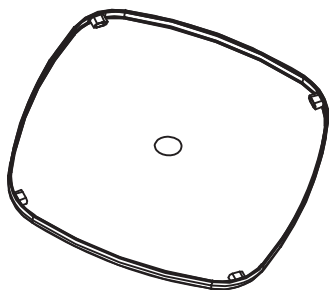
chopping surface. Do not strike the glass with hard or pointed items.

- In order to prolong the life and beauty of your table, we recommend it be stored in a dry and protected area during off season periods.
- Do not use washing powders or any abrasive substances which may scratch the surface.

Components - Parts

If you have damaged or missing components, call the customer Helpline: 08456 400 800

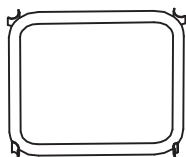
Please check you have all the parts listed below



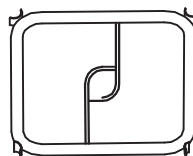
1 Table top x 1



2 Table leg x 4



3 Center connector x 1











4 Center connector with ring x 1

Components - Fittings

Please check you have all the fittings listed below

Note: The quantities below are the correct amount to complete the assembly. In some cases more fittings may be supplied than are required.

<p>A </p> <p>52mm Screw x 8</p>	<p>B </p> <p>Plastic cap x 8</p>	<p>C </p> <p>Metal washer x 16</p>
<p>D </p> <p>Nut x 8</p>	<p>E </p> <p>Plastic nut cap x 8</p>	<p>F </p> <p>Allen key x 1</p>
<p>G </p> <p>Spanner x 1</p>	<p>H  (Have already fixed on the leg tube)</p> <p>Plastic support x 4</p>	

Assembly Instructions

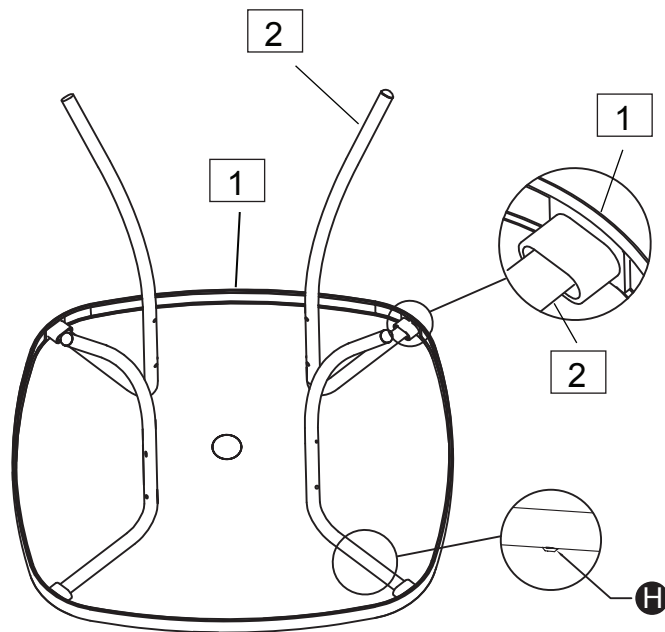
Step 1

Assembly frame

Place the table top **1** on a non-abrasive surface, such as carpet, with the underside facing up. Insert the legs **2** into the plastic holders attached on the back of the table top rim **1**.



Important:
Make sure the plastic support **H** not detached from leg tube.

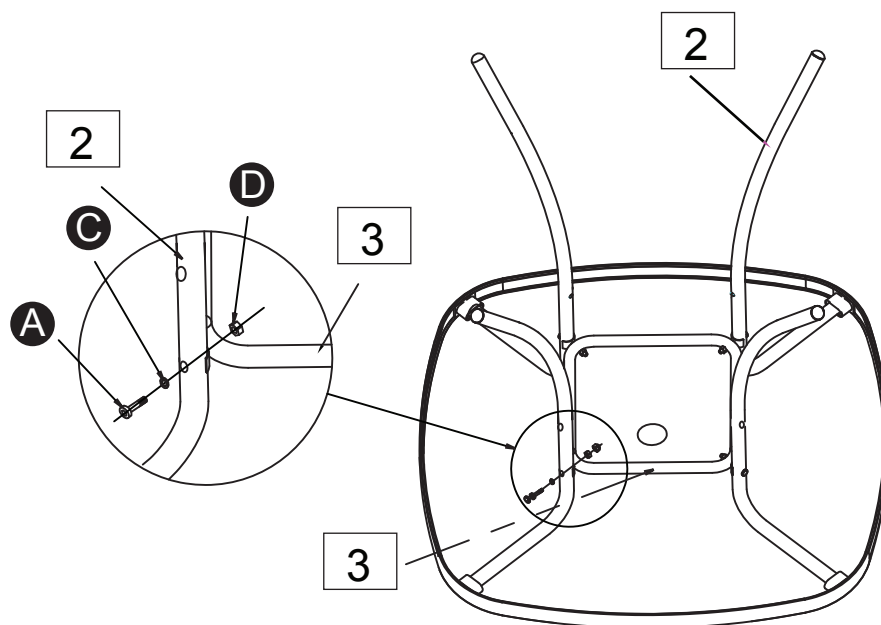


Step 2

Mount and align the center connector **3** to the middle of the legs **2**, then fasten them by using metal washers **C** and screws **A** and nuts **D**.



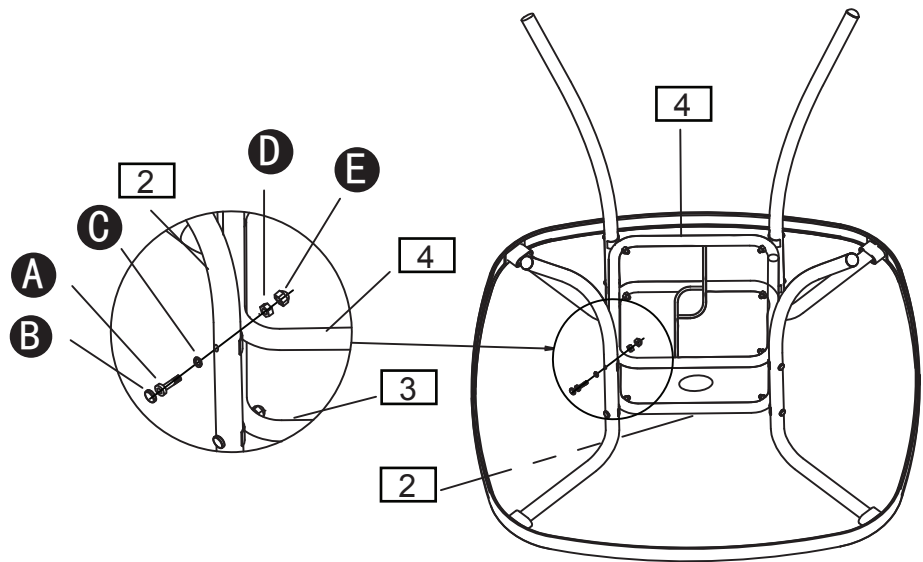
Important:
Do not fully tighten all screws until assembly is complete.



Assembly Instructions

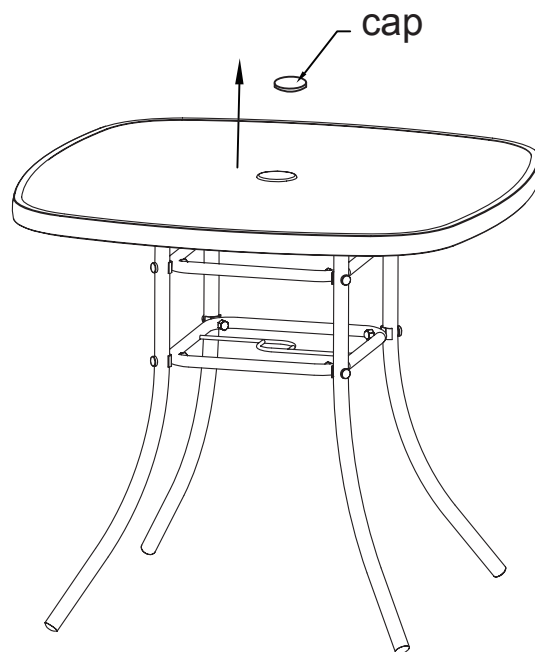
Step 3

Repeat step 2 to install the center connector with ring **4**. Tighten all the screws **A** and seal them with caps **B** & **E**.



Step 4

Turn the table top **1** to its upright position and please remove the cap if you want to insert parasol.



Assembly is complete.

If you need help or have damaged or missing parts, call the **Customer Helpline: 08456 400800**
Argos Limited
489-499 Avebury Boulevard Saxon Gate West Central Milton Keynes Bucks, MK9 2NW