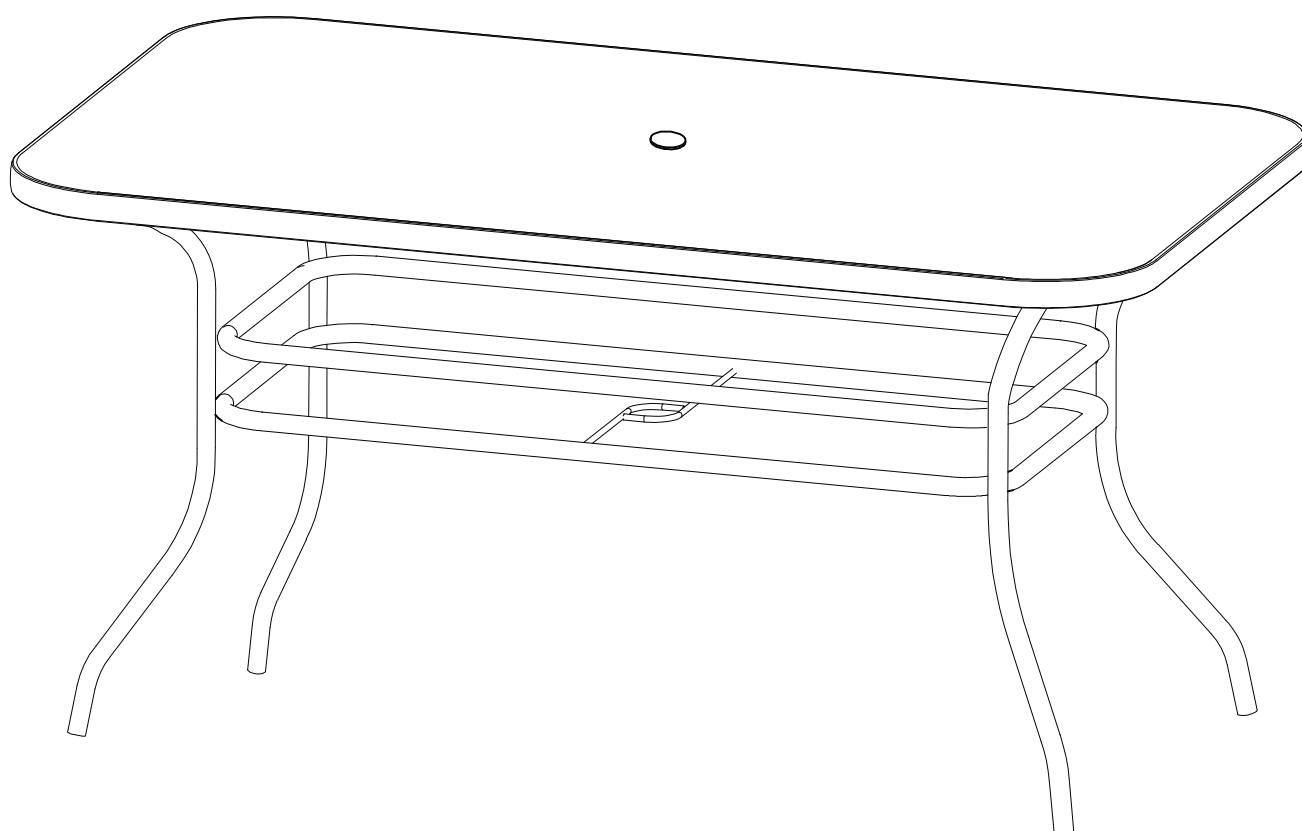


Pacific 6 Seater Patio Set - Table

Assembly Instructions - Please keep for future reference

651/1531



Dimensions

Width - 120cm

Depth - 75.5cm

Height - 71cm

Important – Please read these instructions fully before starting assembly

If you need help or have damaged or missing parts, call the Customer Helpline: 08456 400 800



Safety and Care Advice

Important Please read these instructions fully before starting assembly

- This product is manufactured from toughened safety glass. In the unlikely event that the glass fails it will break in to a large number of small fragments that may be spread over a wide area. This is a feature of toughened glass, designed to remove the risk of injury from glass breaking into large shards.
- If the glass is chipped or broken, stop using the product and consult the manufacturer or supplier.
- Check you have all the components and tools listed on page 2.
- Remove all fittings from the plastic bags and separate them into their groups.
- Keep children and animals away from the work area, small parts could choke if swallowed.
- Make sure you have enough space to layout the parts before starting.
- Do not stand or put weight on the parts during assembly, this could cause damage.
- Assemble on a soft level surface to avoid damaging the unit or your floor.
- Dispose of all packing carefully and responsibly.
- Do not sit or stand on this table.
- Do not place very hot or very cold items on the glass.
- **Warning:** The unit weights approximately 15.6kgs.

Please lift with care.

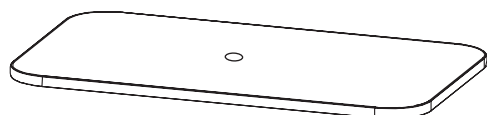
Care and maintenance

- This product has been designed for careful domestic outdoor use.
- Wash frame parts with mild soap and water, rinse thoroughly, and dry frame completely. Do not use bleach, acid, or other solvents on the frame parts.
- Wash glass with mild soap and water, rinse thoroughly, and dry glass completely.
- When using a parasol with this table, always use a parasol base.
- When moving the table, remove the umbrella. Do not drag.
- We recommend the use of furniture covers when not in use.
- Do not use the glass as chopping surface. Do not strike the glass with hard or pointed items.
- In order to prolong the life and beauty of your table, we recommend it be stored in a dry and protected area during off season periods.
- Do not use washing powders or any abrasive substances which may scratch the surface.

Components - Parts

If you have damaged or missing components, call the **Customer Helpline: 08456 400 800**

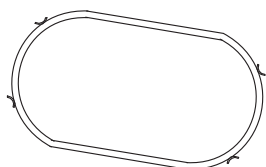
Please check you have all the parts listed below



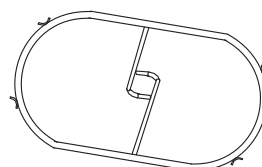
1 Table top x 1 (120x75cm)



2 Leg x 4



3 Center connector x1 (77x33cm)











4 Center connector with ring (77x33 cm)

Components - Fittings

Please check you have all the fittings listed below

Note: The quantities below are the correct amount to complete the assembly. In some cases more fittings may be supplied than are required.

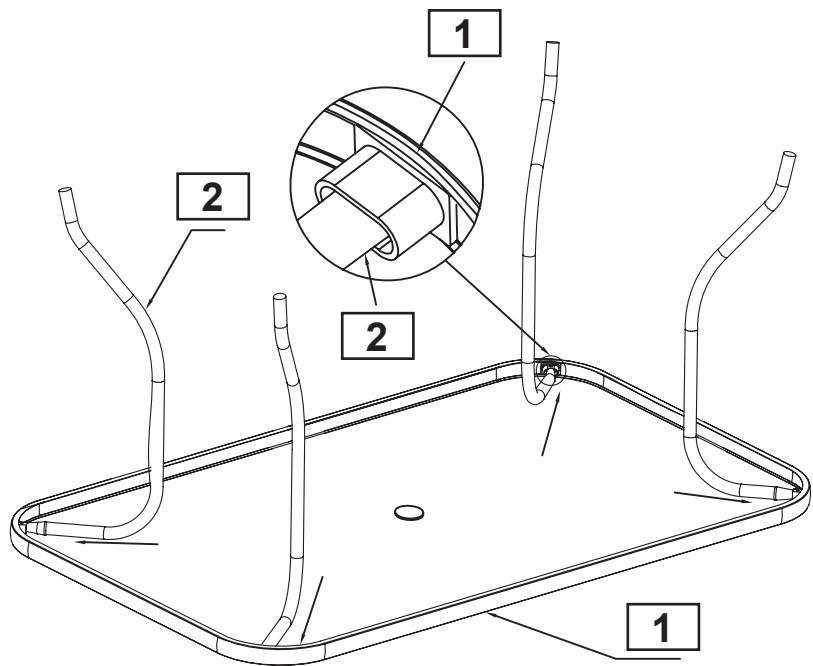
<p>A  52mm Screw x 8</p>	<p>B  Screw cap x 8</p>	<p>C  Metal washer x 16</p>
<p>D  Nut x 8</p>	<p>E  Plastic nut cap x 8</p>	<p>F  Allenkey x 1</p>
<p>G  Spanner x 1</p>	<p>H  Plastic support x 4</p>	

Assembly Instructions

Step 1

Assembly frame

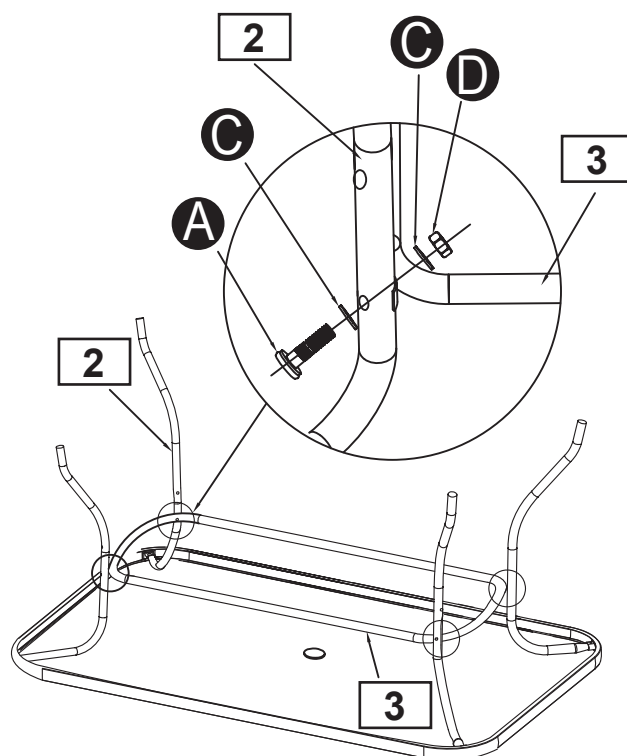
Place the table top **1** on a non-abrasive surface, such as carpet, with the underside facing up. Insert the legs **2** into the plastic holders attached on the back of the table top rim **1**.



Important:
Make sure the plastic support not detached from leg tube.

Step 2

Mount and align the center connector **3** to the middle of the legs **2**, then fasten them by using washers **C**, screws **A**, and nuts **D**.

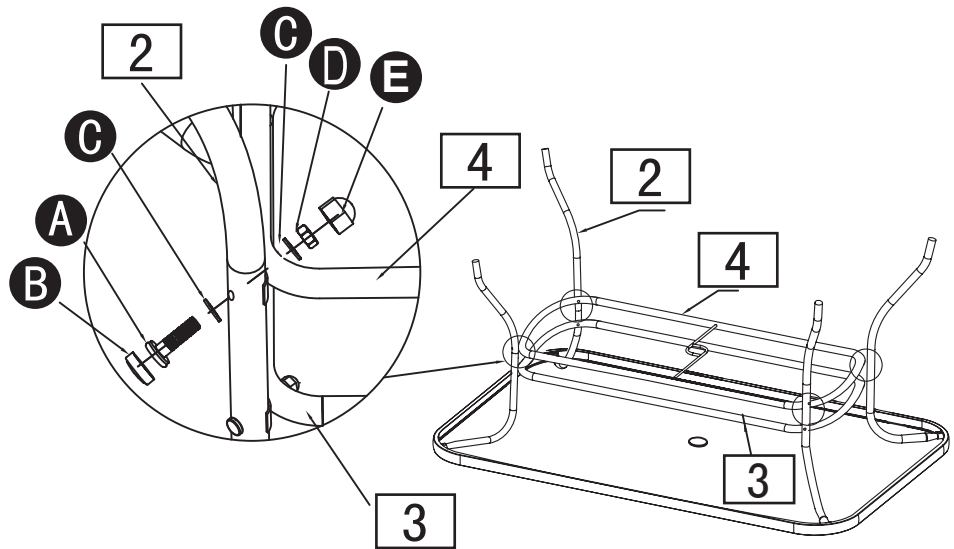


Important:
Do not fully tighten all screws until assembly is complete.

Assembly Instructions

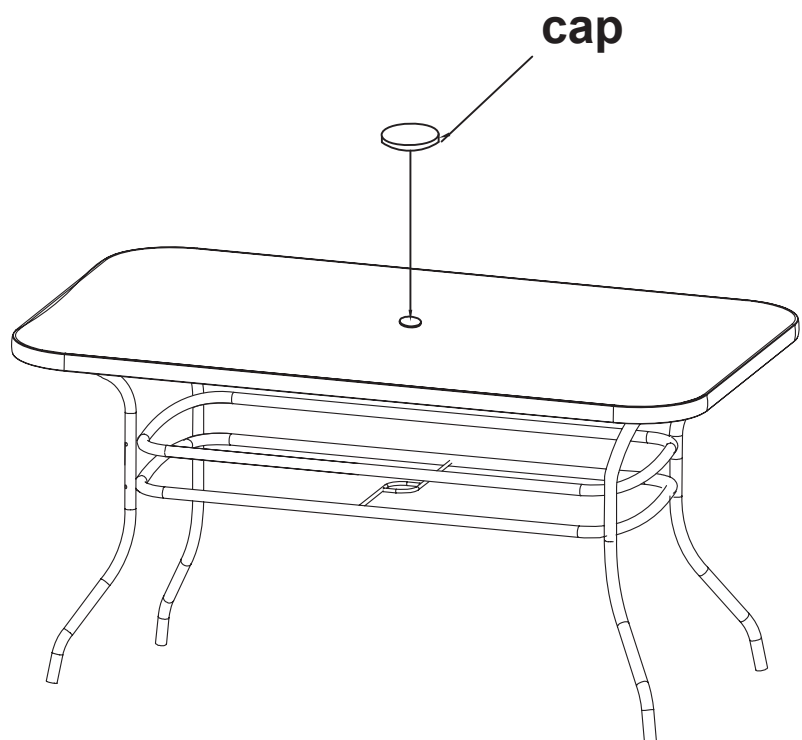
Step 3

Repeat step 2 to install the center connector with ring **4**. Tighten all the screws **A** and seal them with caps **B** & **E**.



Step 4

Turn the table **1** up to its upright position. Please remove the cap if you want to insert parasol.



Assembly is complete.

If you need help or have damaged or missing parts, call the **Customer Helpline: 08456 400800**
Argos Limited
489-499 Avebury Boulevard Saxon Gate West Central Milton Keynes Bucks, MK9 2NW