

Hardwood 11 Slat Chelsea Bench

Assembly Instructions - Please keep for future reference

650/0456



Dimensions

Width - 125cm

Depth - 81cm

Height - 63cm

**IMPORTANT, RETAIN FOR FUTURE
REFERENCE: READ CAREFULLY**

If you need help or have damaged or missing parts, call the Customer Helpline: 03456 400 800

For further assistance please visit <http://www.argos-support.co.uk/>

Retailer: Argos

Address: 489-499 Avebury Boulevard Saxon Gate West, Central Milton Keynes Bucks, MK9, 2NW

Safety and Care Advice

IMPORTANT, RETAIN FOR FUTURE REFERENCE: READ CAREFULLY

- Check you have all the components and tools listed on page 2.
- Remove all fittings from the plastic bags and separate them into their groups.
- Keep children and animals away from the work area, small parts could choke if swallowed.
- Make sure you have enough space to layout the parts before starting.
- Do not stand or put weight on the product, this could cause damage.
- Assemble on a soft level surface to avoid damaging the unit or your floor.
- Assemble the unit as close to its final position (in the same room) as possible.
- Parts of the assembly will be easier with 2 people.
- If using power tools, please follow the safety instructions supplied with the tools.
- This product is for domestic use.
- We do not recommend the use of power drill/drivers for inserting screws, as this could damage the unit. Only use hand screwdrivers.
- Dispose of all packaging carefully and responsibly.
- Warning: The unit weights approximately **22 kgs**.
Safety weight: 110kgs per seat
Please lift with care.

Care and maintenance

- Only clean using a damp cloth and mild detergent, do not use bleach or abrasive cleaners.
- From time to time check that there are no loose screws on this unit.
- This product should not be discarded with household waste. Take to your local authority waste disposal centre.
- Suggestion: When you do not use it, find one suitable cover on it.
- Don't fully tighten all screws until assembly is complete.
- Make sure each screw matches the corresponding figure to ensure correct assembly.

Components - Parts

If you have damaged or missing components, call the Customer Helpline: 03456 400 800

Please check you have all the parts listed below

1 1 x Bench Ends



2 1 x Bench Ends



3 11x Wooden Slat 122X5.5X1.8CM



4 2 x Side Support Bar



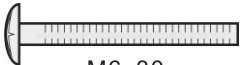





5 1 x Centre Support Bar



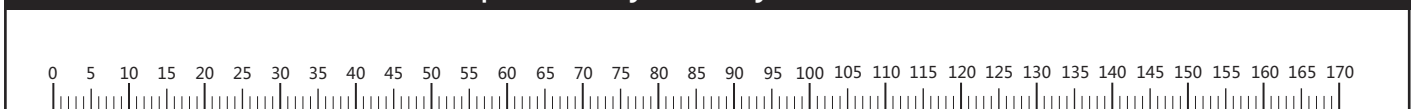
Components - Fittings

Please check you have all the fittings listed below

Note: The quantities below are the correct amount to complete the assembly. In some cases more fittings may be supplied than are required. Bradawl, spanner and screwdriver are required but excluded.

 M6x30 A Bolts x 24	 B Flat Washer x 24	 C Spring Washers x 24
 D Nuts x 24	 M4x16 E Woodscrews x 13	 F Nut Cover x 24

Ruler - Use this ruler to help correctly identify the screws



Assembly Instructions

Step 1

2 person required

Take the two bench ends **1** **2** and slide a slat **3** into the chanel and fix in the middle position using bolt **A** flat washer **B**, spring washer **C** and nut **D**. (See fig .1)

DO NOT TIGHTEN AT THIS STAGE

Then slide in the rest of the slats working outwards using bolts **A** flat washers **B**, spring washers **C** and nut **D**. (See fig.1)

NOW FULLY TIGHTEN ALL NUTS.

Then use nut covers **F** to cover the nuts on the bench's back.

Step 2

Take the centre support bar **5** and line up the holes with each slat. Make a pilot hole and fix with woodscrews **E**. (See fig.3)

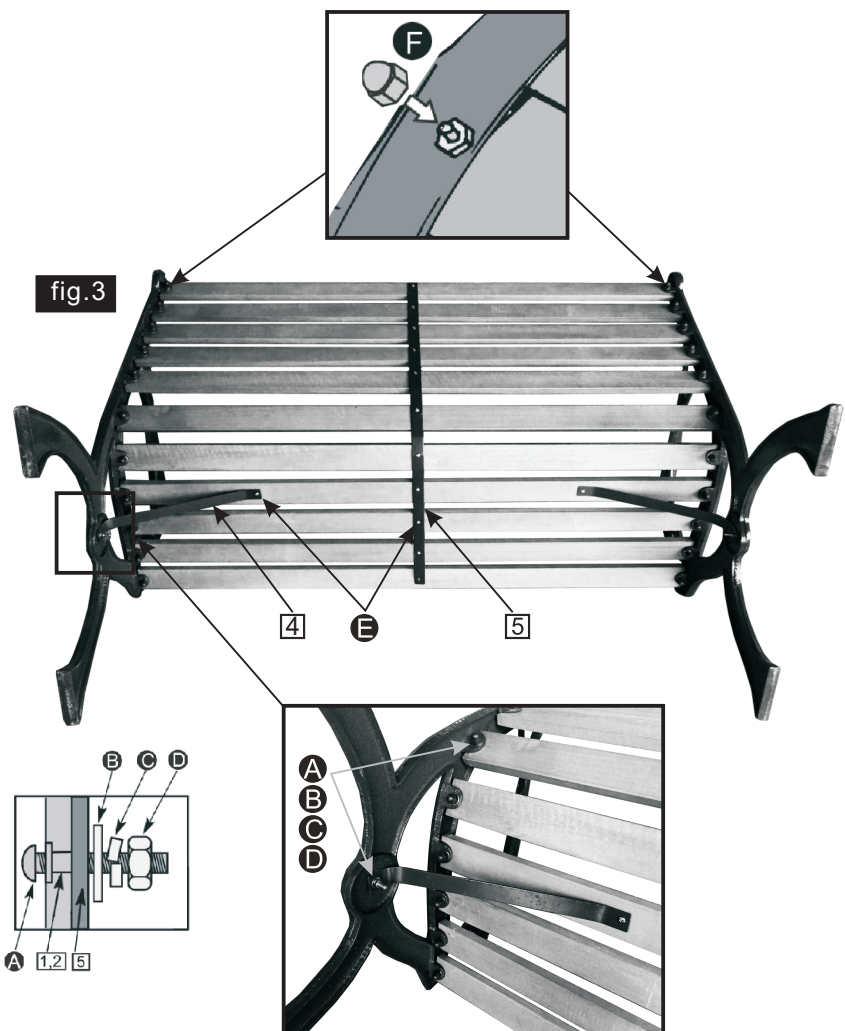
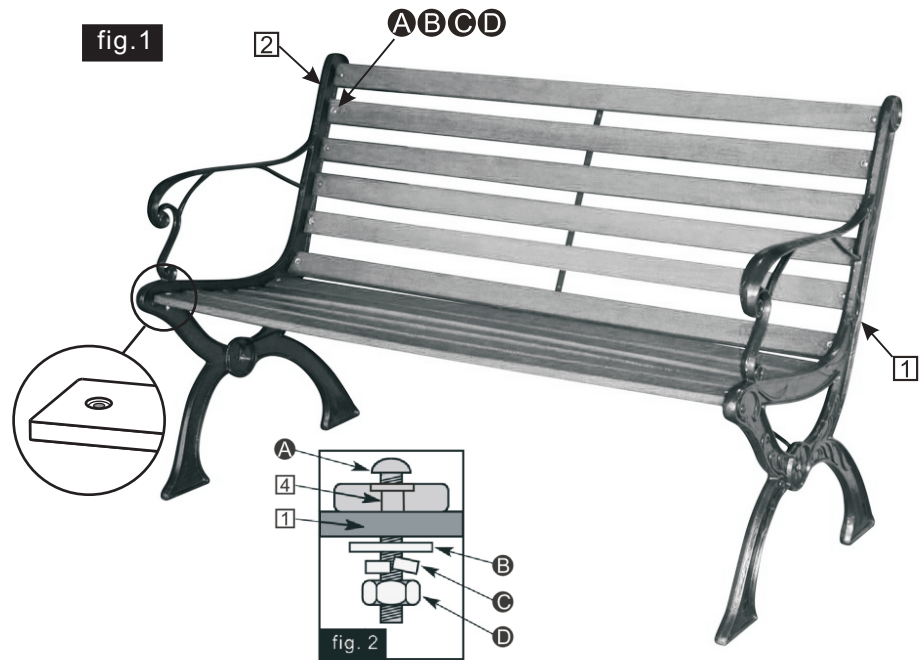
Using bolts **A**, washers **B**, spring washer **C** and nuts **D**, fix the side support bar **4** to the bench end **1** and **2**.

Then screw the other end of the support bar to the slat using a bradawl to make a pilot hole for woodscrew **E**. (See fig.3)

Repeat with the other side support bar.

PLEASE NOTE SOME BENDING OF CENTRE SUPPORT **5 MAY BE NECESSARY.**

It will take effort to complete this step.



If you need help or have damaged or missing parts, call the Customer Helpline: 03456 400 800

Retailer: Argos

Address: 489-499 Avebury Boulevard Saxon Gate West. Central Milton Keynes Bucks. MK9. 2NW