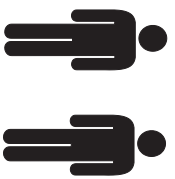
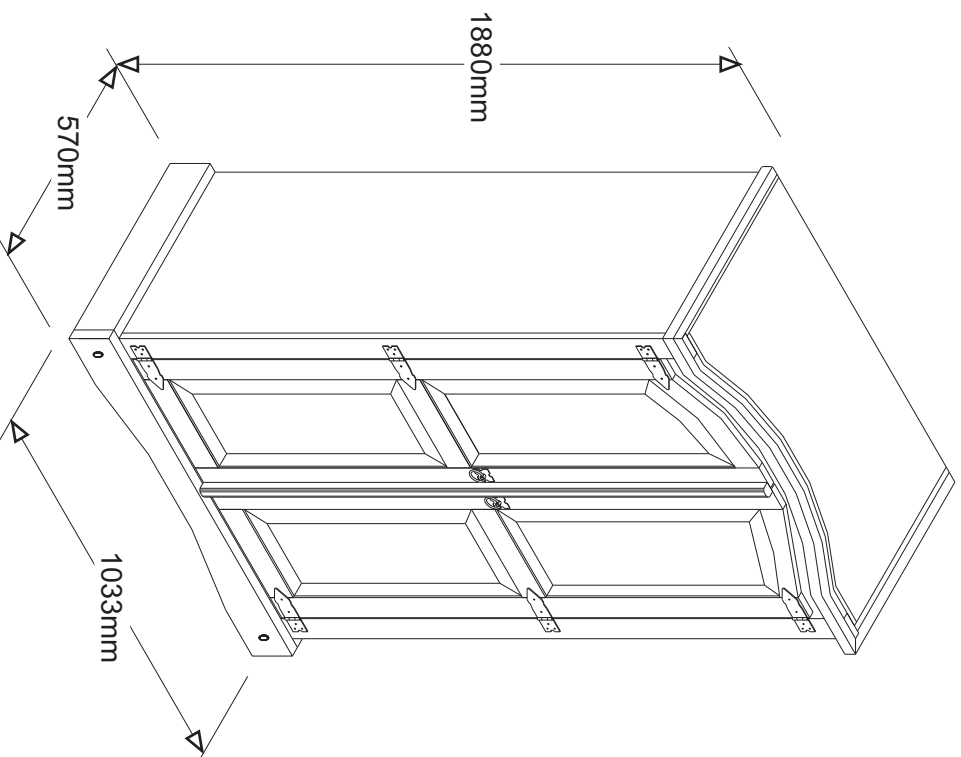


# 2 DOOR WARDROBE



Before you start here in some helpful advise

Assembly time:  
**1 Hour**



Please spend a short time reading through this leaflet and follow the step-by-step assembly instructions provided.

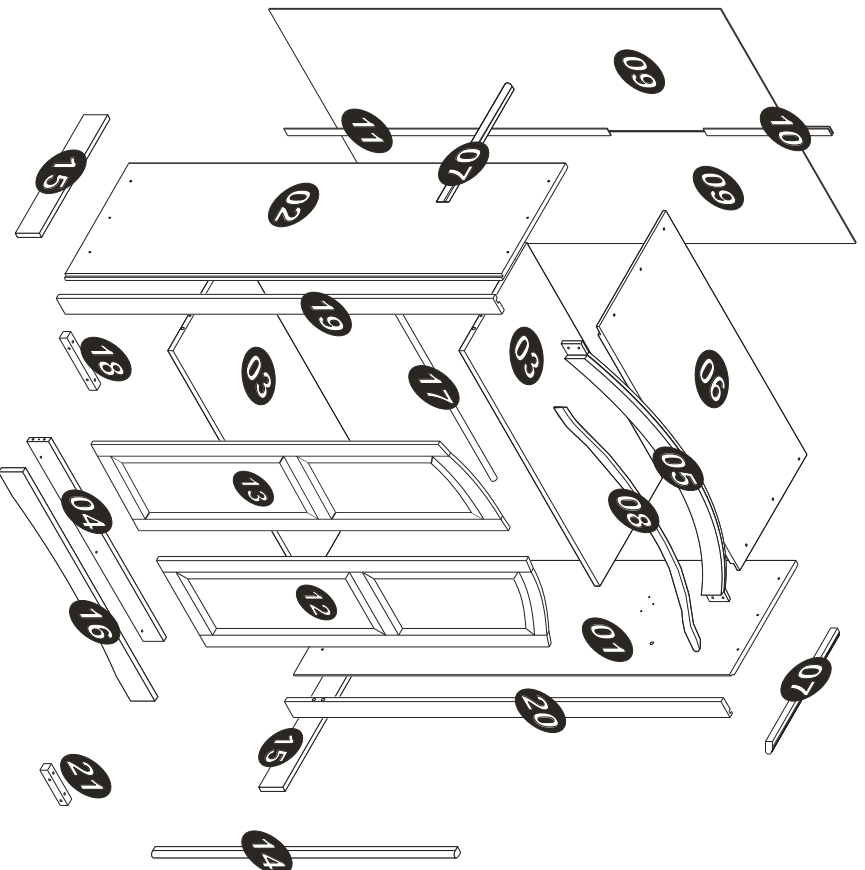
## Customer Advisory Information

- This product has been produced from natural timber; you may notice some variation in the grain and colour of different component parts which is normal for furniture produced using natural wood and is not the result of any manufacturing fault.
- The product has been treated with a wax and oil finish to prevent dirt ingress and preserve moisture. On unpacking the furniture you may notice an odour due to this treatment; this will disappear once the furniture is unpacked and assembled after a period of time.
- This process may leave some staining on the packaging material; please take care to ensure this does not transfer to clothing or carpeted surfaces during assembly
- Avoid placing the furniture in direct sunlight as this will cause the timber to prematurely age
- Use an appropriate furniture polish for natural wood furniture and a dry cloth to clean the product

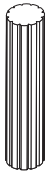
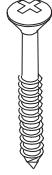
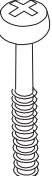





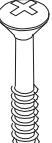



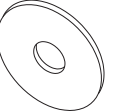
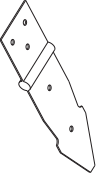


## Assembly Advice

**Before commencing assembly, we recommend that you familiarise yourself with the component parts and the instructions. We suggest that you lay out the components and check these against the parts list supplied.**

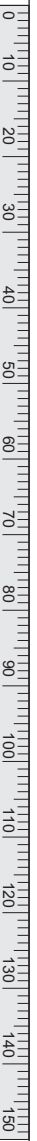
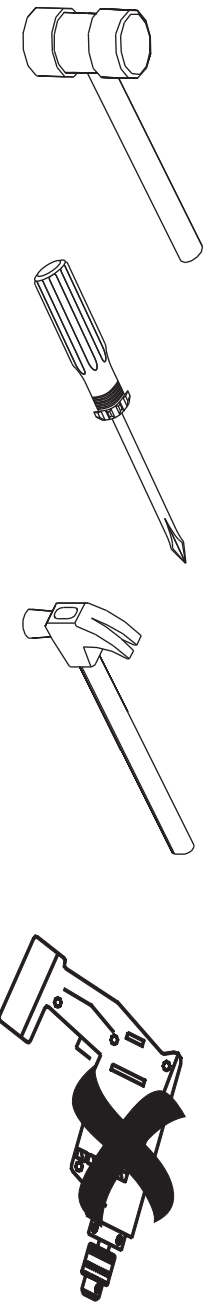
- Please retain packaging materials until assembly is complete; then dispose of packaging materials carefully
- We recommend that you assemble the product on a soft/carpeted surface to prevent any damage to panels during assembly
- Ensure that all fixings are tight and check these periodically for tightness
- **Note: small parts pose a potential safety hazard; ensure that these are securely attached and kept out of reach of children**



### COMPONENT PARTS

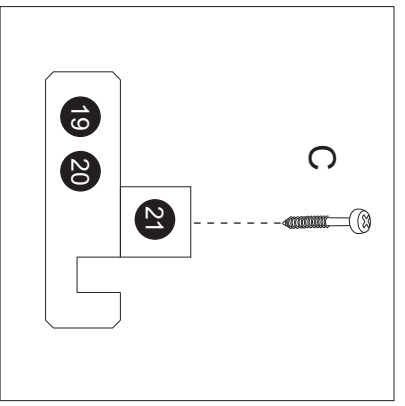
<b>A</b>	 <b>X 12</b>	<b>B</b>	 <b>X 19</b>	<b>C</b>	 <b>X 44</b>
<b>D</b>	 +  <b>X 2</b>	<b>E</b>	 <b>X 2</b>	<b>F</b>	 <b>X 45</b>
<b>G</b>	 <b>X 10</b>	<b>H</b>	 <b>X 3</b>	<b>J</b>	 <b>J1</b>  <b>J2</b> <b>X 2</b>
<b>L</b>	 <b>X 36</b>	<b>M</b>	 <b>X 2</b>	<b>O</b>	 <b>X 6</b>
<b>P</b>	 <b>X 2</b>	 <b>X 1</b>			
<b>N</b>					

### TOOLS NEEDED

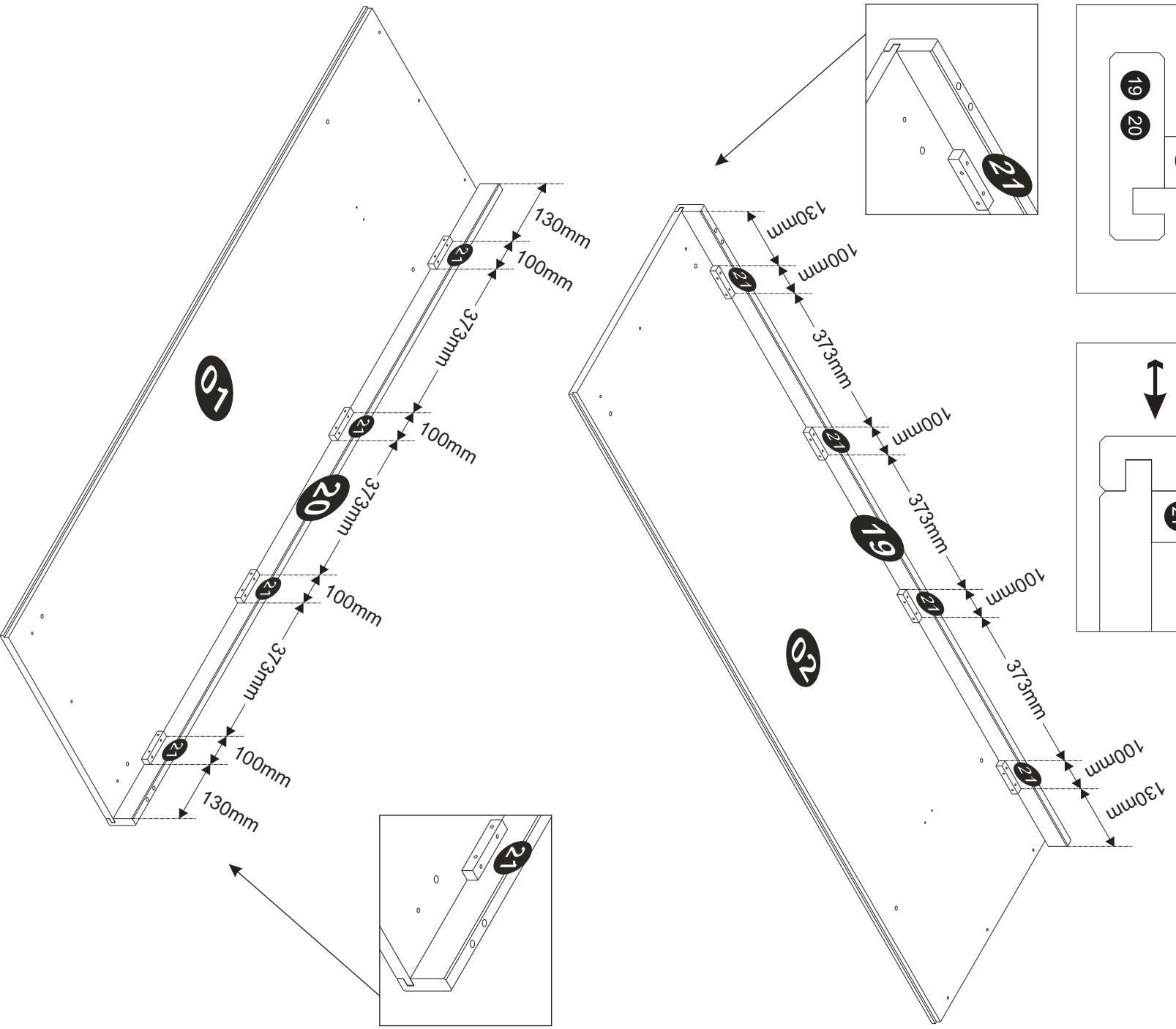
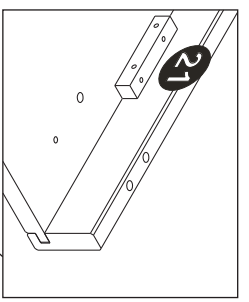
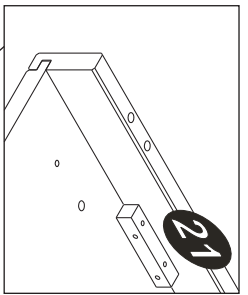
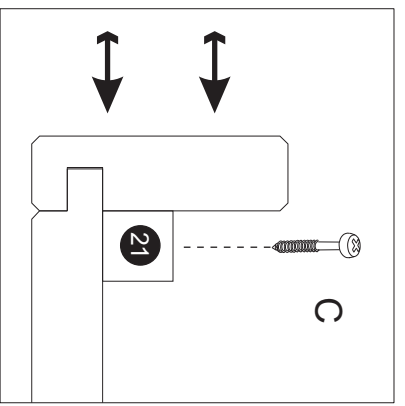


# STEP 1


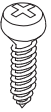

## STEP 1

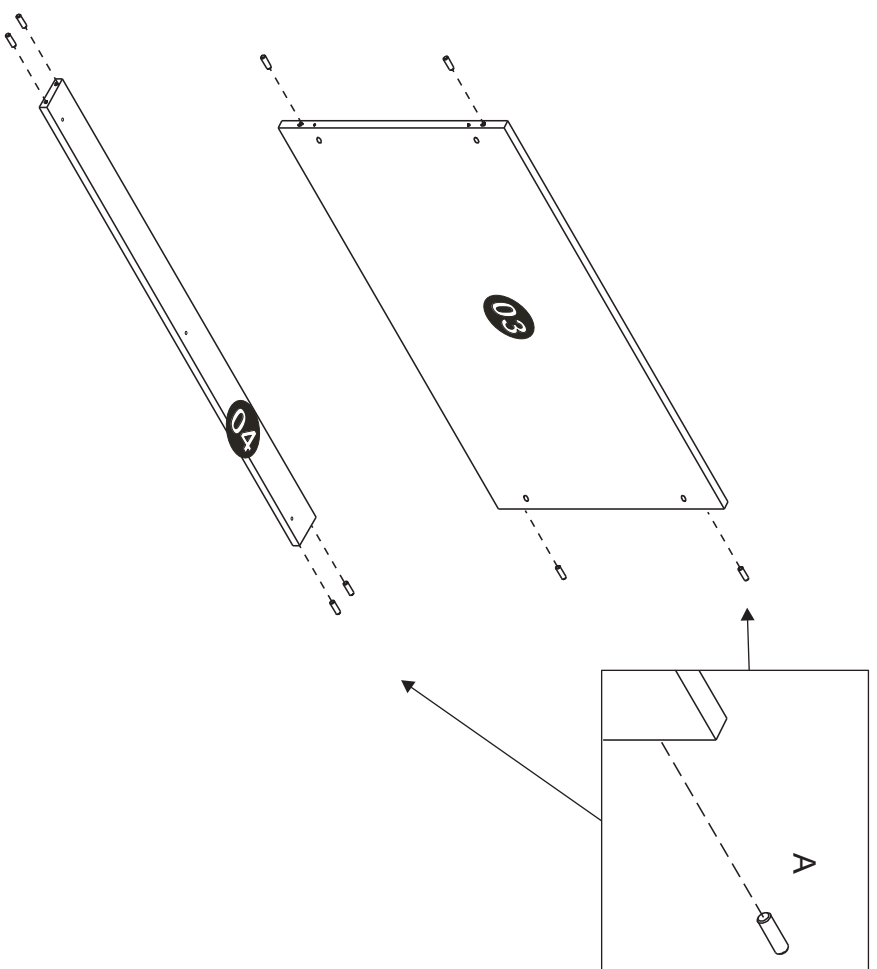
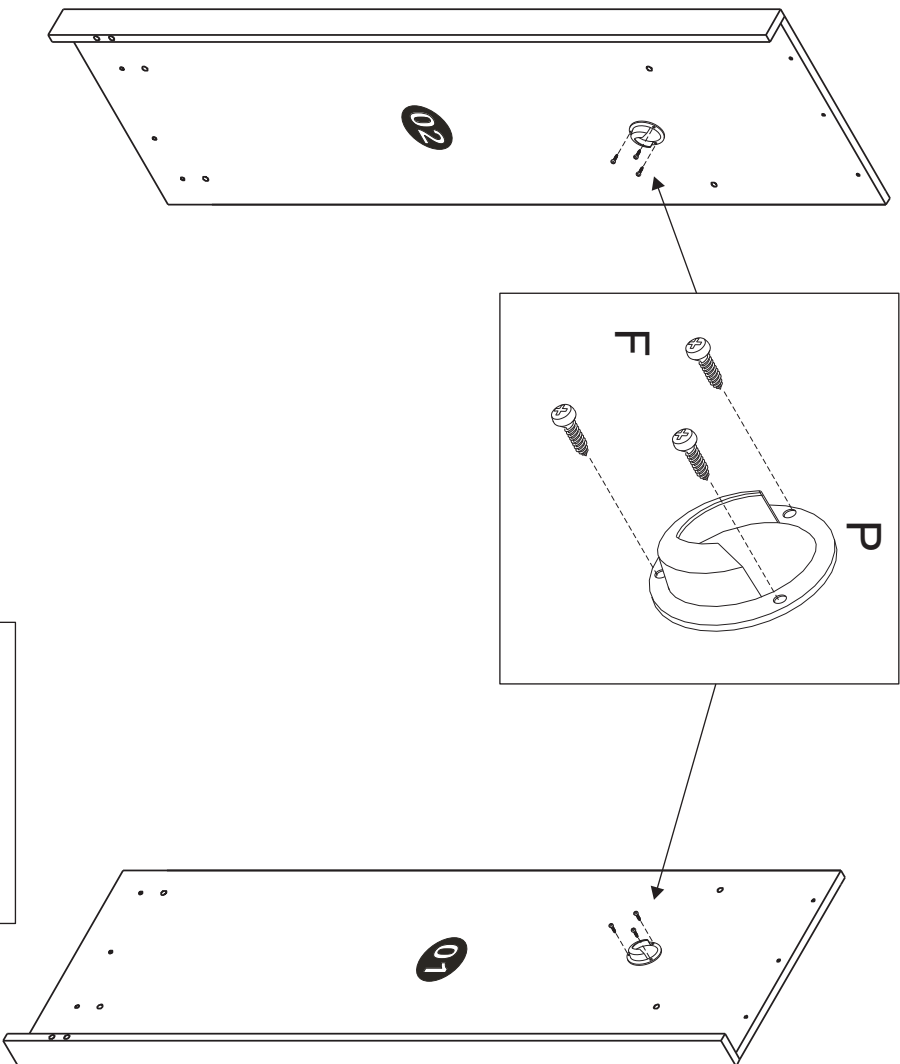


## STEP 2

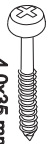


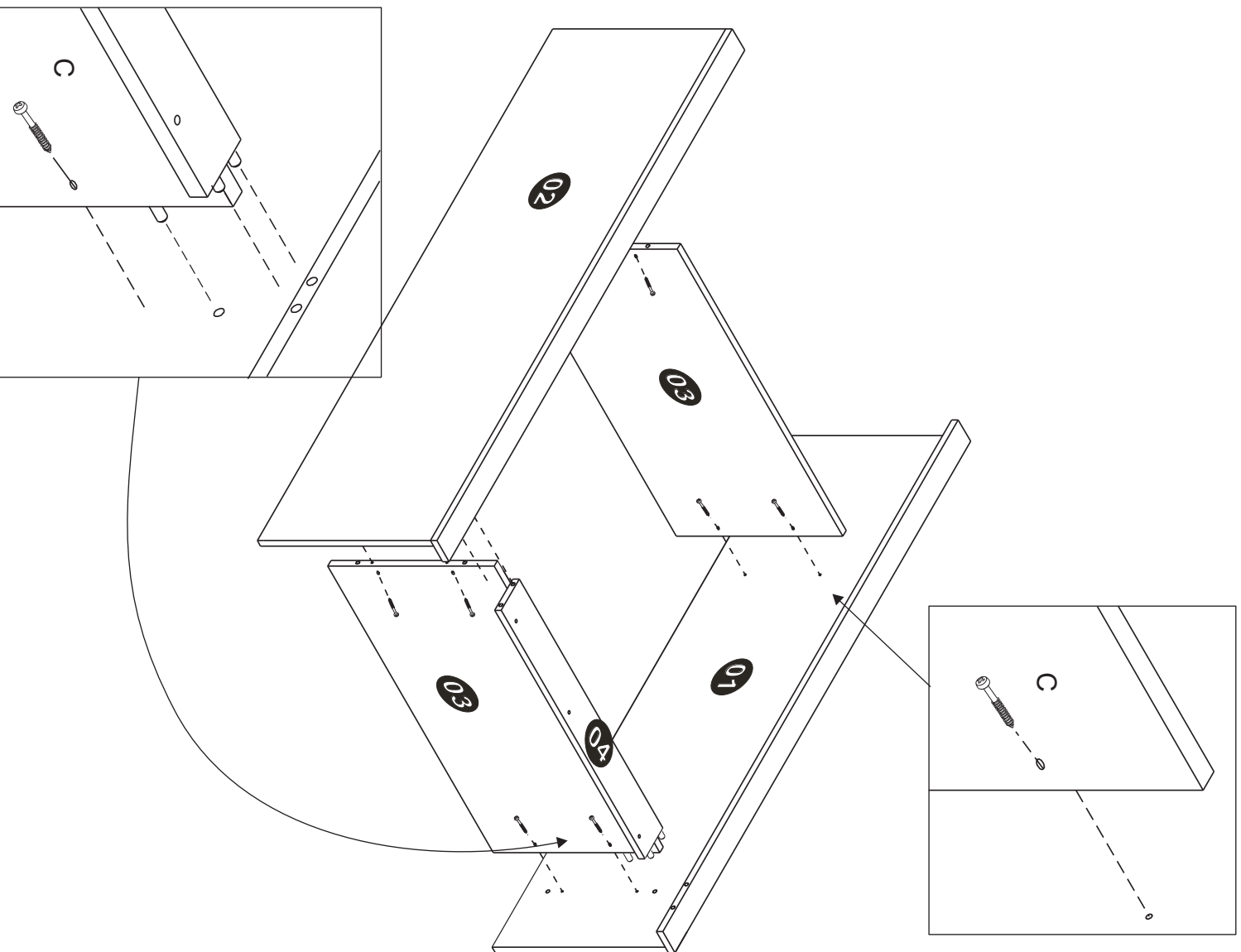
# STEP 2

<b>A</b>	 8x30 mm	<b>X 12</b>
<b>F</b>	 3.5x14 mm	<b>X 6</b>
<b>P</b>		<b>X 2</b>

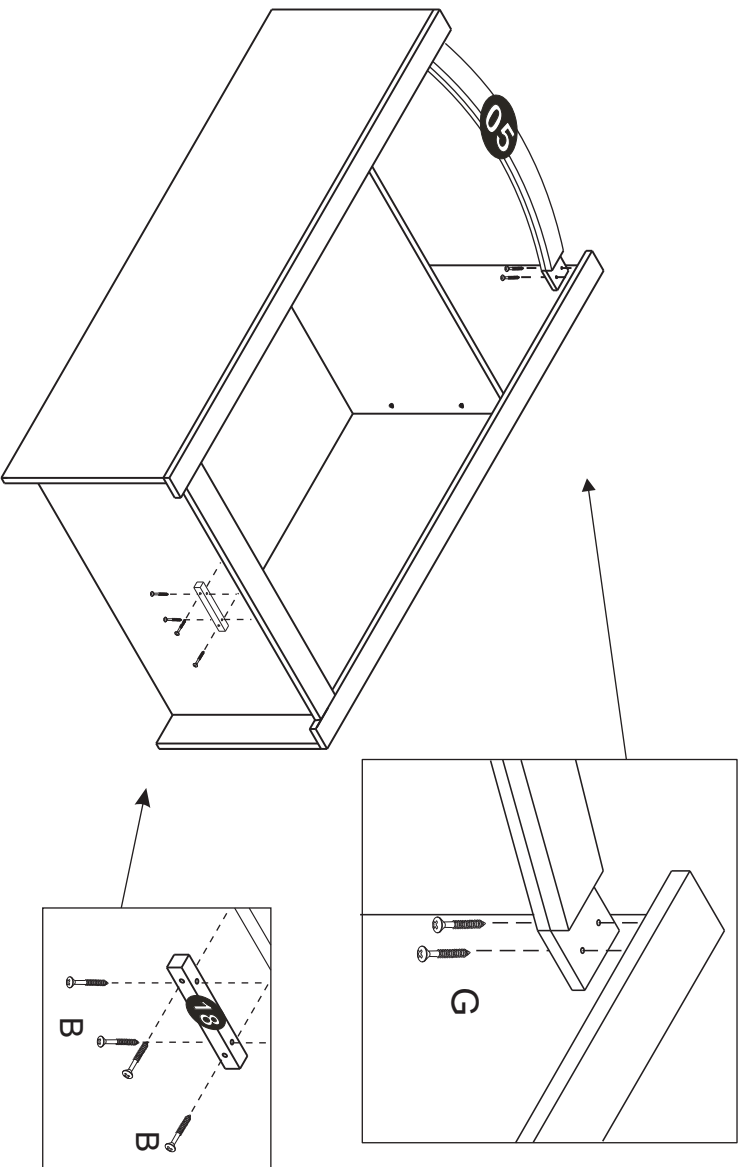


# STEP 3

**C**  **X 8**  
4.0x35 mm



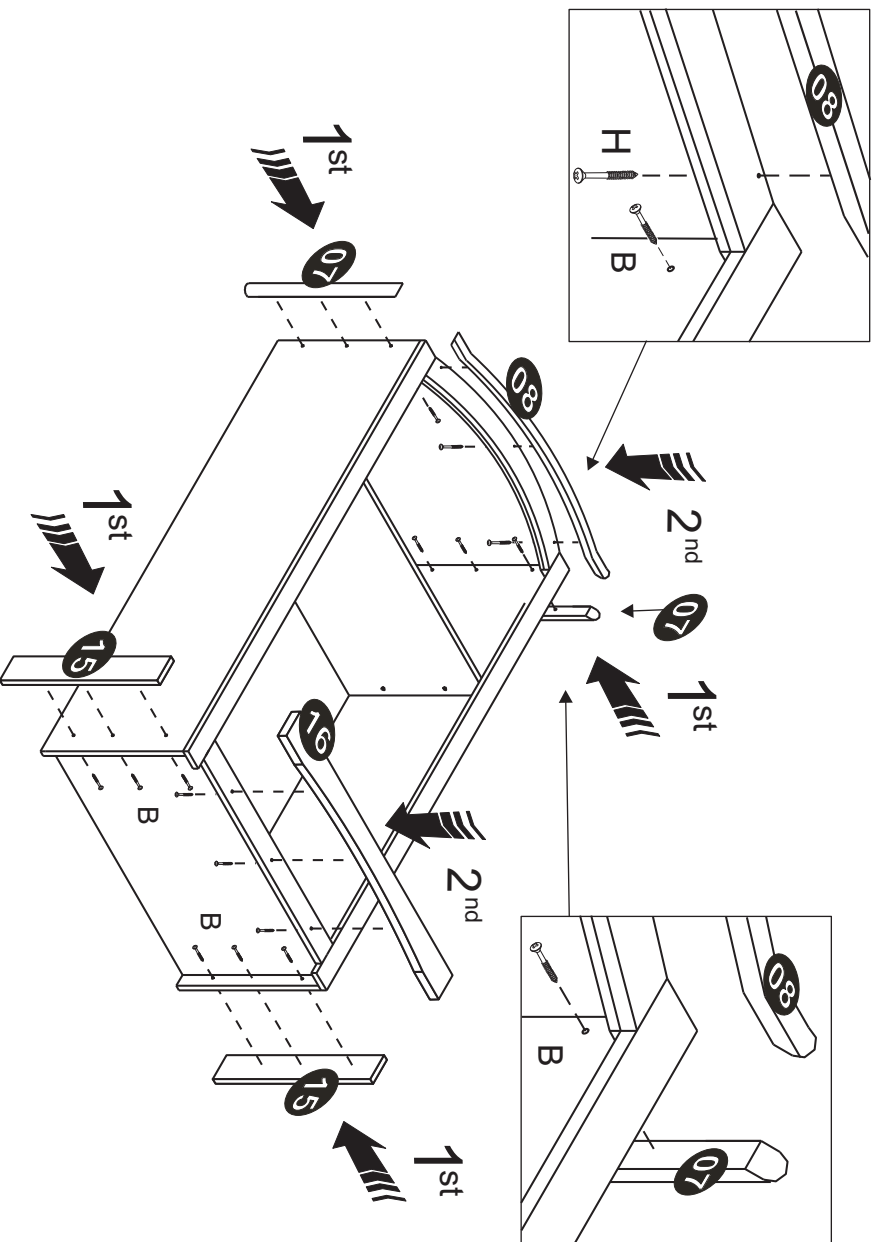
# STEP 4



**B**  **X 4**  
3.5x25 mm

**G**  **X 4**  
3.5x25 mm

# STEP 5

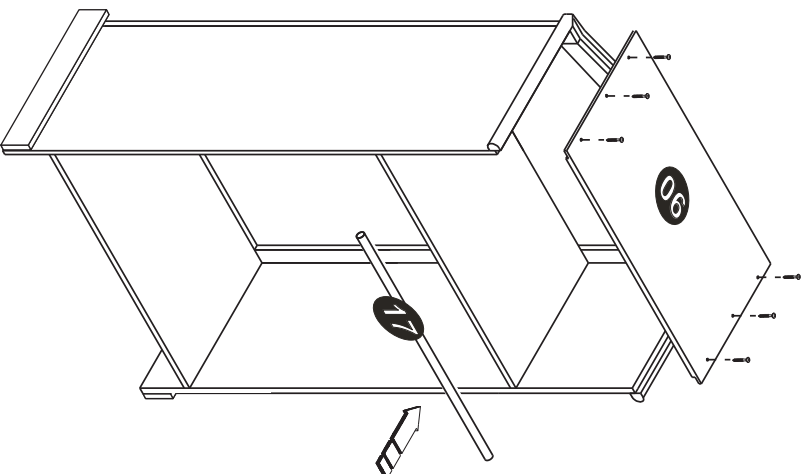
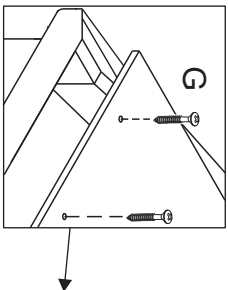


**B**  **X 15**  
3.5x35 mm

**H**  **X 3**  
4.0x50 mm



# STEP 6



Round Metal

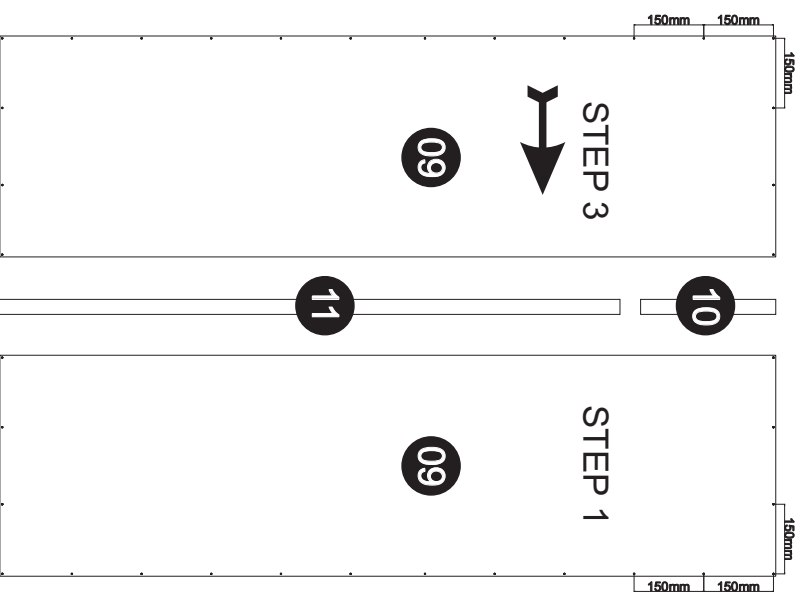
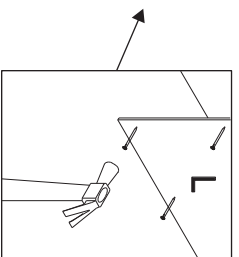
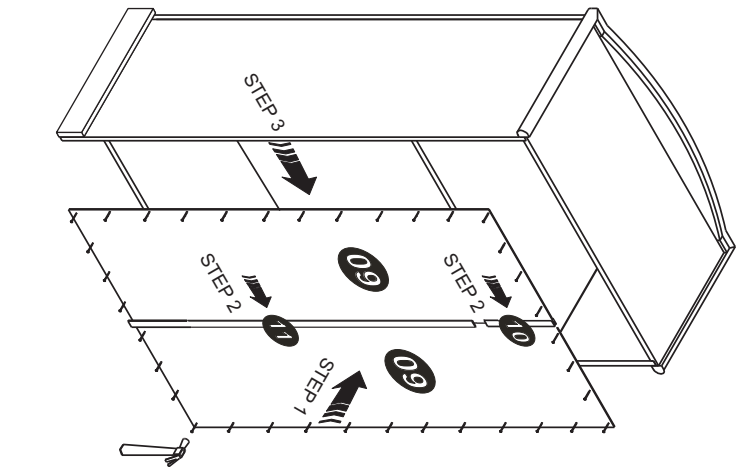
**G**



3.5x25 mm

**X 6**

# STEP 7



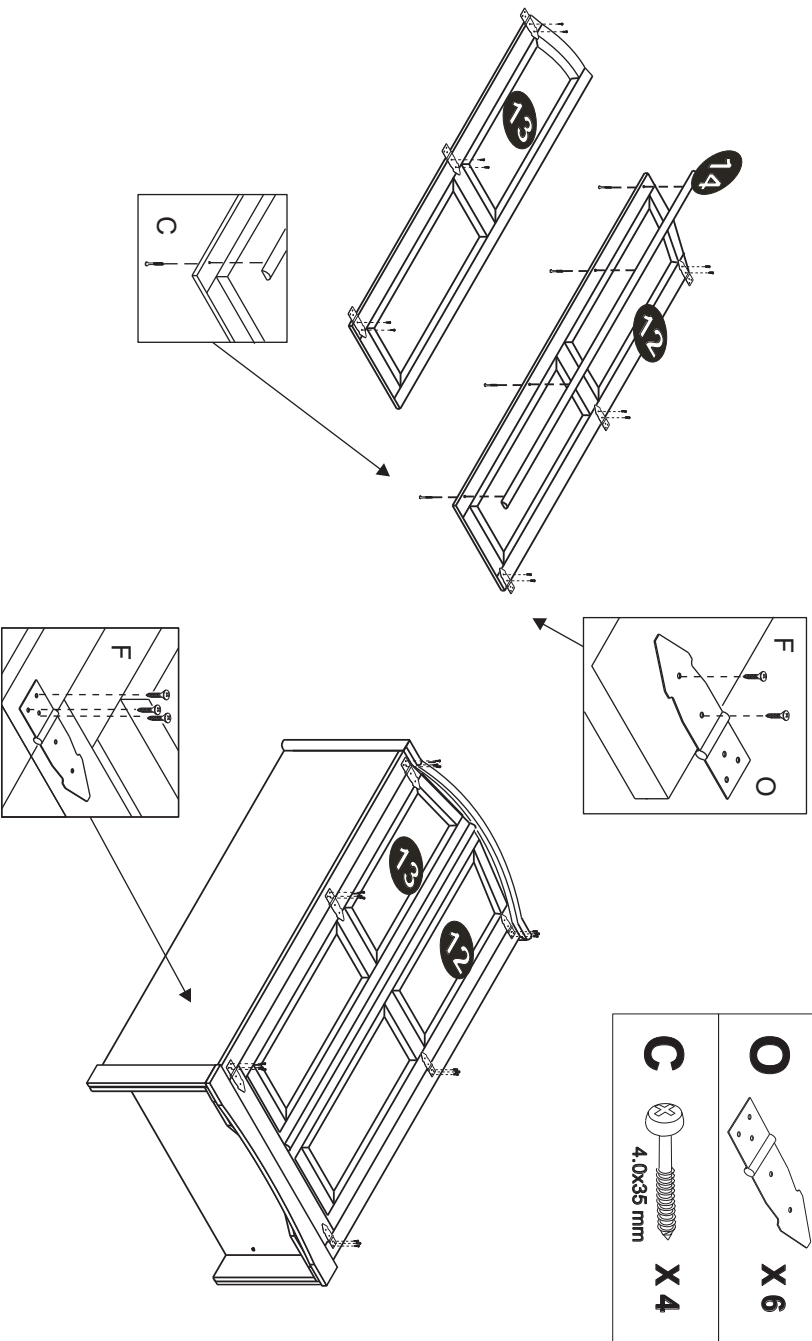
STEP 2




**L**






**X 36**







# STEP 8

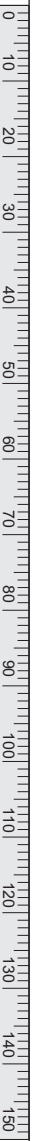
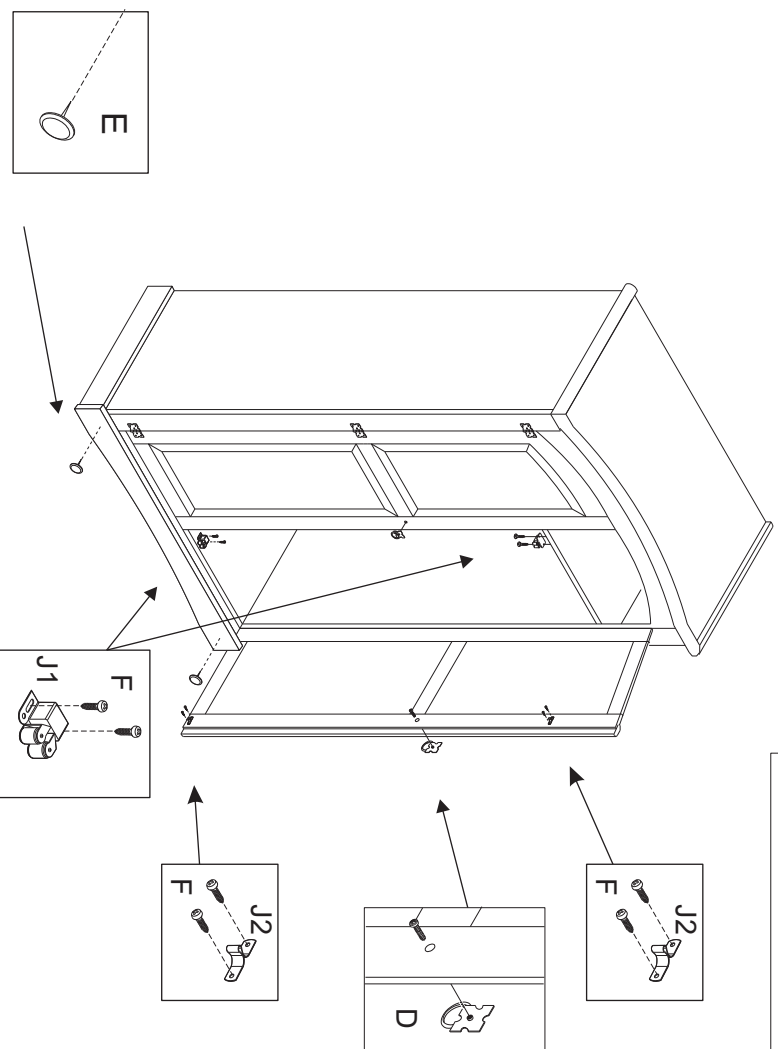


<b>F</b>	 <b>X 30</b> 3.5x14 mm
<b>O</b>	 <b>X 6</b>
<b>C</b>	 <b>X 4</b> 4.0x35 mm




# STEP 9

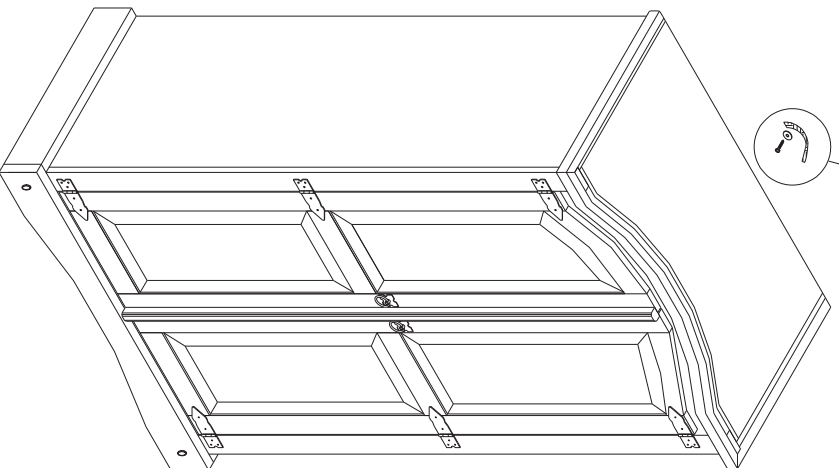
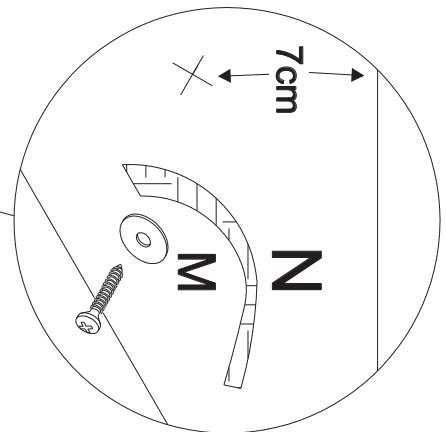
		
NO!	NO!	YES!

<b>F</b>	 <b>X 8</b> 3.5x14 mm	<b>D</b>	 <b>X 2</b> +  <b>X 2</b> 3/16x19 mm
<b>J</b>	 <b>J1</b>  <b>J2</b> <b>X 2</b>	<b>E</b>	 <b>X 2</b>

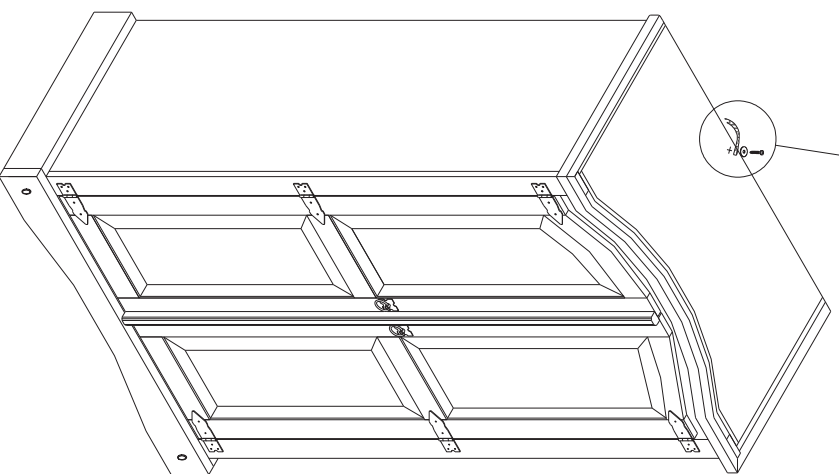
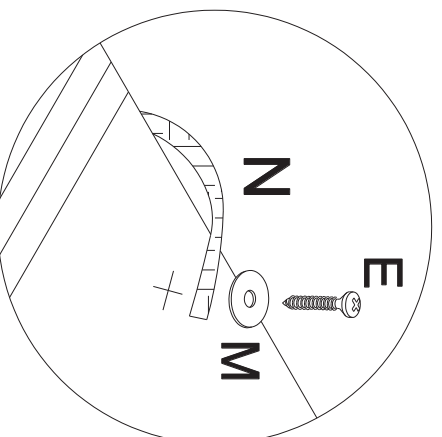




<b>F</b> 3.5x14 mm		<b>X 1</b>
<b>M</b>		<b>X 2</b>
<b>N</b>		<b>X 1</b>



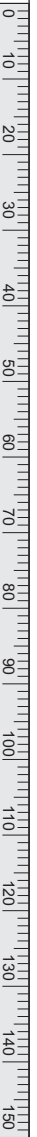
**DIAGRAM 1**



**DIAGRAM 2**

Once you have decided on your preferred location we recommend that you follow below instructions to secure product to wall.

1. Measure to the centre of product and draw a line on wall as shown in diagram. (Remove product)
2. Measure 7 cm down from line and secure strap to wall by using an appropriate wall fittings. (NOT SUPPLIED)
3. Referring to diagram 2, fold the strap over the edge and secure using fittings supplied.

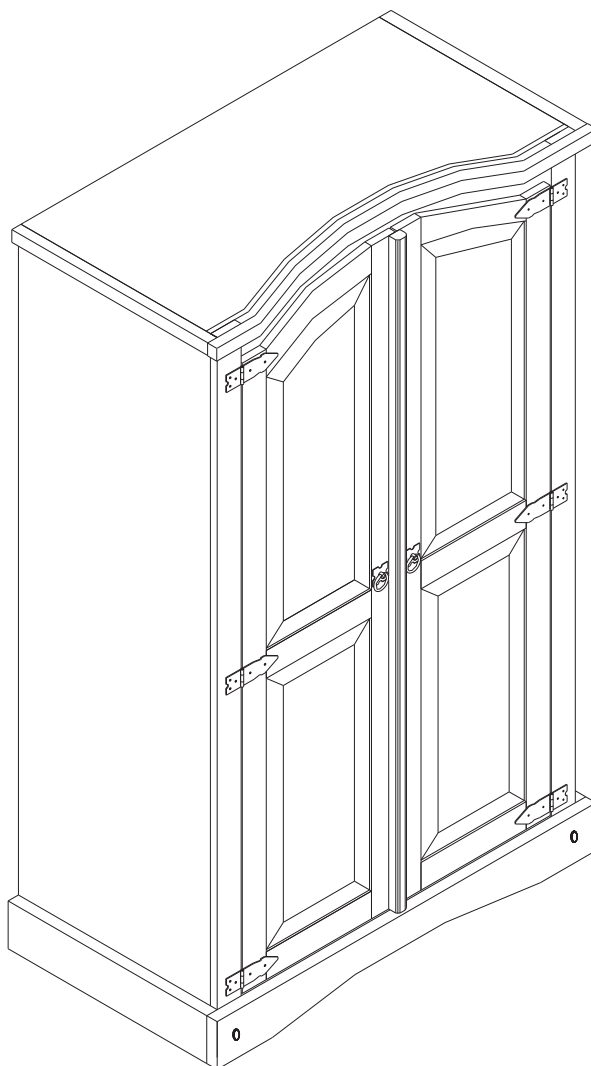


# Puerto Rico - 2 Door Wardrobe

**Assembly Instructions** - Please keep for future reference

641/7721

643/1958



## Dimensions

Width - 103.5cm

Depth - 57cm

Height - 188cm

**Important – Please read these instructions fully before starting assembly**

If you need help or have damaged or missing parts, call the **Customer Helpline: 08456 400 800**



# Safety and Care Advice

**Important** – Please read these instructions fully before starting assembly

- Check you have all the components and tools listed on pages 2 and 3.
- Remove all fittings from the plastic bags and separate them into their groups.
- Keep children and animals away from the work area, small parts could choke if swallowed.
- Make sure you have enough space to layout the parts before starting.
- Do not stand or put weight on the product, this could cause damage.
- Assemble the item as close to its final position (in the same room) as possible.
- Assemble on a soft level surface to avoid damaging the unit or your floor.

- This product has been produced from natural timber; you may notice some variation in the grain and colour of different component parts which is normal for furniture produced using natural wood and is not the result of any manufacturing fault.

- The product has been treated with a wax and oil finish to prevent dirt ingress and preserve moisture.

- On unpacking the furniture you may notice an odour due to this treatment; this will disappear once the furniture is unpacked and assembled after a period of time.

- This process may leave some staining on the packaging material; please take care to ensure this does not transfer to clothing or carpeted surfaces during assembly.



- We do not recommend the use of power drill/drivers **for inserting screws**, as this could damage the unit. Only use hand screwdrivers.

- Parts of the assembly will be easier with 2 people.

- Dispose of all packaging carefully and responsibly.

## Care and maintenance

- Use an appropriate furniture polish for natural wood furniture and a dry cloth to clean the product.
- Avoid placing the furniture in direct sunlight as this will cause the timber to prematurely age.

- From time to time check that there are no loose screws on this unit.

- This product should not be discarded with household waste. Take to your local authority waste disposal centre.

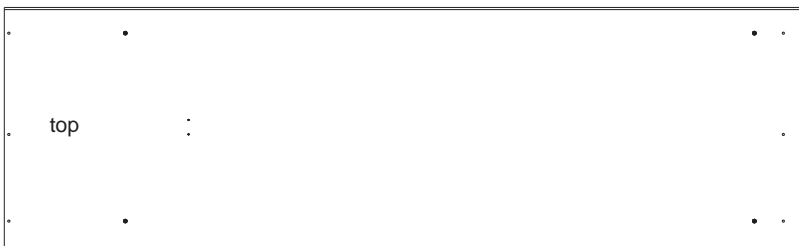
**Note:** If required the next page can be cut out and used as reference throughout the assembly. Keep this page with these instructions for future reference.

# Components - Panels

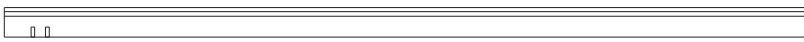
Please check you have all the panels listed below



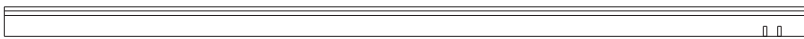
**1** Right side panel (177.3 x 53cm)



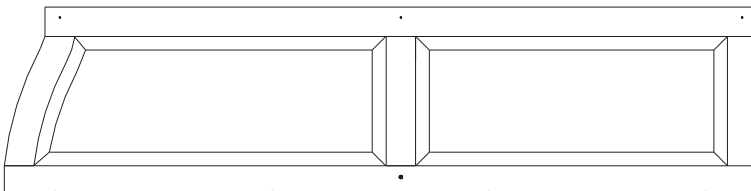
**2** Left side panel (177.3 x 53cm)



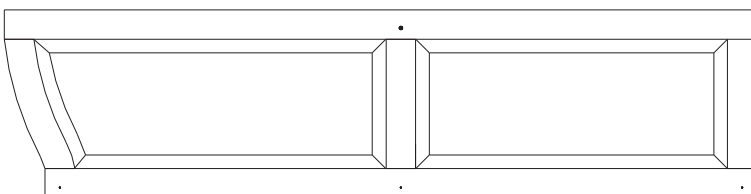
**5** Right front frame (178 x 6.5cm)



**6** Left front frame (178 x 6.5cm)



**9** Right door (166.6 x 41.6cm)



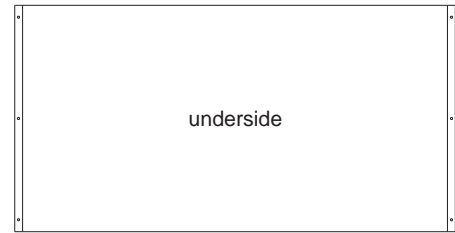
**10** Left door (166.6 x 41.6cm)



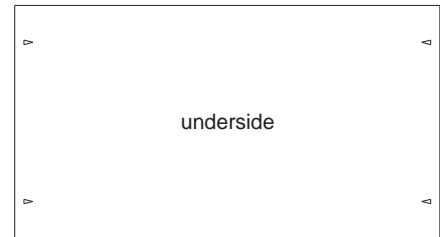
**15** Door knocker (166.6 x 3cm)



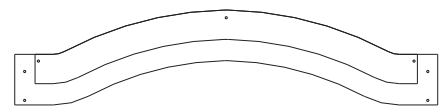
**16** Back panel x 2 (167 x 47.6cm)



**3** Top panel (97.6 x 50cm)



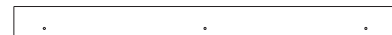
**4** Base panel x 2 (94 x 51.5cm)



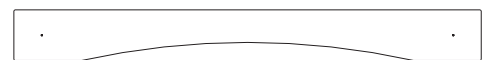
**7** Curved top rail (93.7 x 21cm)



**8** Curved top moulding (103.5 x 12.6cm)



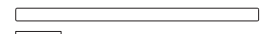
**11** Horizontal front frame (84.7 x 6.5cm)



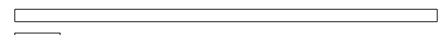
**12** Front plinth (103.5 x 11.2cm)



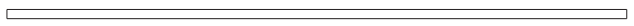
**13** Side plinth x 2 (54 x 11.2cm)



**14** Side top moulding x 2 (54 x 2.8cm)



**17** Hanging rail (93.5 x 2.8cm)



**18** Larger H profile (137 x 2cm)



**19** Smaller H profile (25 x 2cm)



**20** Block (20 x 2.5cm)



**21** Hanging rail support x 2 (7 x 6.5cm)




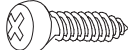
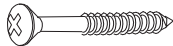
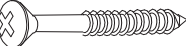
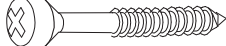
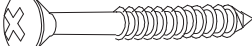


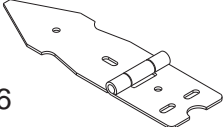

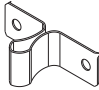

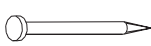
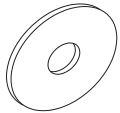

**22** Blocks x 8 (10 x 2cm)

# Components - Fittings

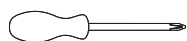
If you have damaged or missing components, call the **Customer Helpline: 08456 400 800**

Please check you have all the fittings listed below

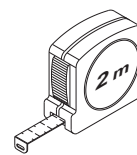
**Note:** The quantities below are the correct amount to complete the assembly. In some cases more fittings may be supplied than are required.

<b>A</b>  Wooden dowel x 12	<b>B</b>  14mm Screw x 39	<b>C</b>  25mm Screw x 10
<b>D</b>  35mm Screw x 19	<b>E</b>  35mm Screw x 48	<b>F</b>  50mm Screw x 3
<b>G</b>  Door handle x 2	<b>H</b>  19mm Bolt x 2	<b>J</b>  Door hinge x 6
<b>K</b>  Clip x 2	<b>L</b>  Plug x 2	<b>M</b>  Metal stud x 2
<b>N</b>  Nail x 36	<b>O</b>  Washer x 2	<b>P</b>  Wall strap x 1

## Tools required



Phillips screwdriver  
(medium & large)



Ruler/tape  
measure

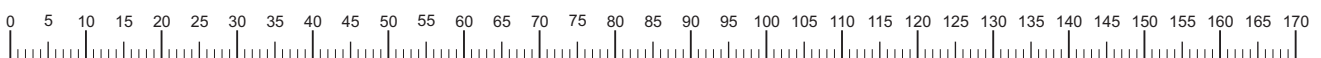


Small  
hammer



Eye protection  
(when using a  
hammer or glue)

**Ruler** - Use this ruler to help correctly identify the screws

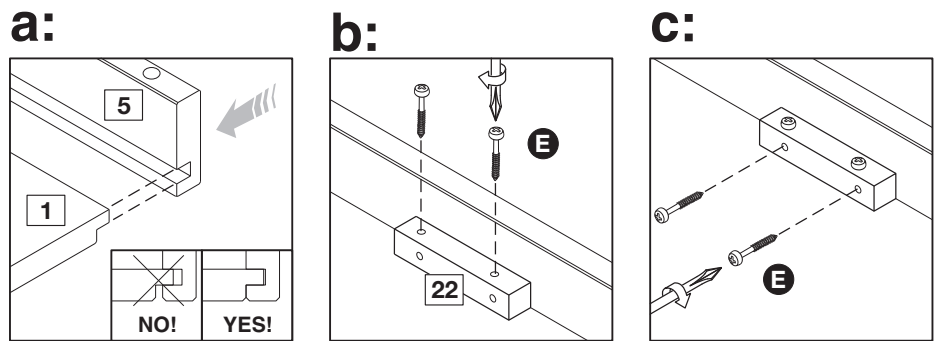


# Assembly Instructions

## Step 1

**Fixing right front frame to the right side panel.**  
(Two people required for an easier assembly)

**a:** Position right front frame **5** to the right side panel **1** through joints.



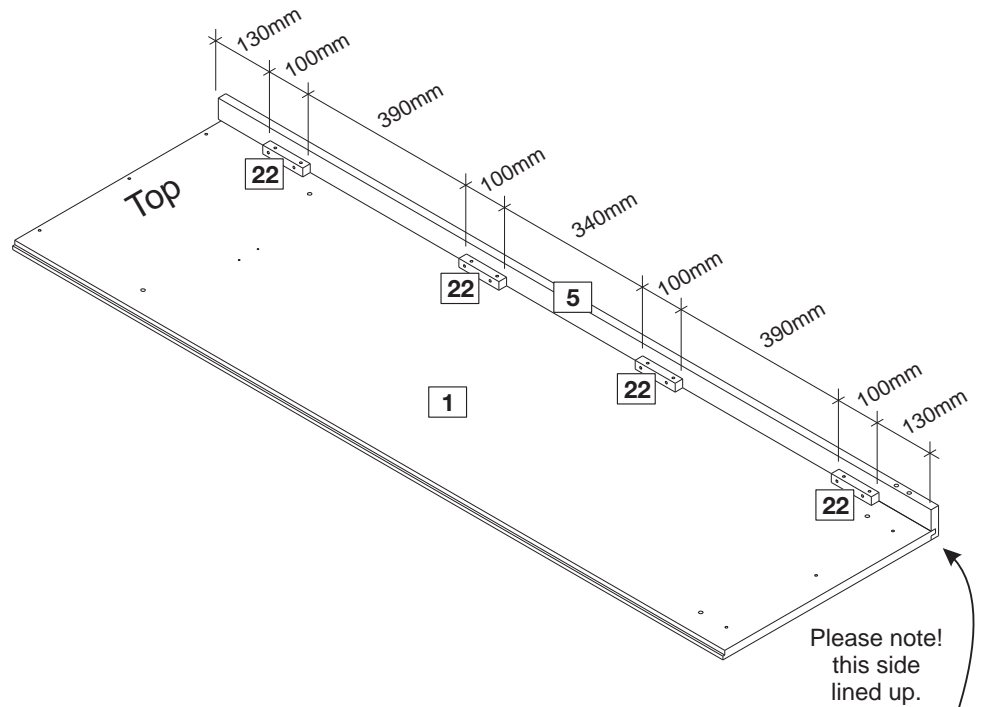
**Note:**

Before fixing the blocks **22** into place it is important to ensure that the slot and groove of parts **1** and **5** are fully pushed together and lined up correctly at the top and bottom.

**b:** Place blocks **22** in the positions shown. First fix to the side panel using screws **E**.

**c:** Fix through blocks **22** into front frame using screws **E**.

Repeat **a**, **b** and **c** on left side panel **2** and left front frame **6**.

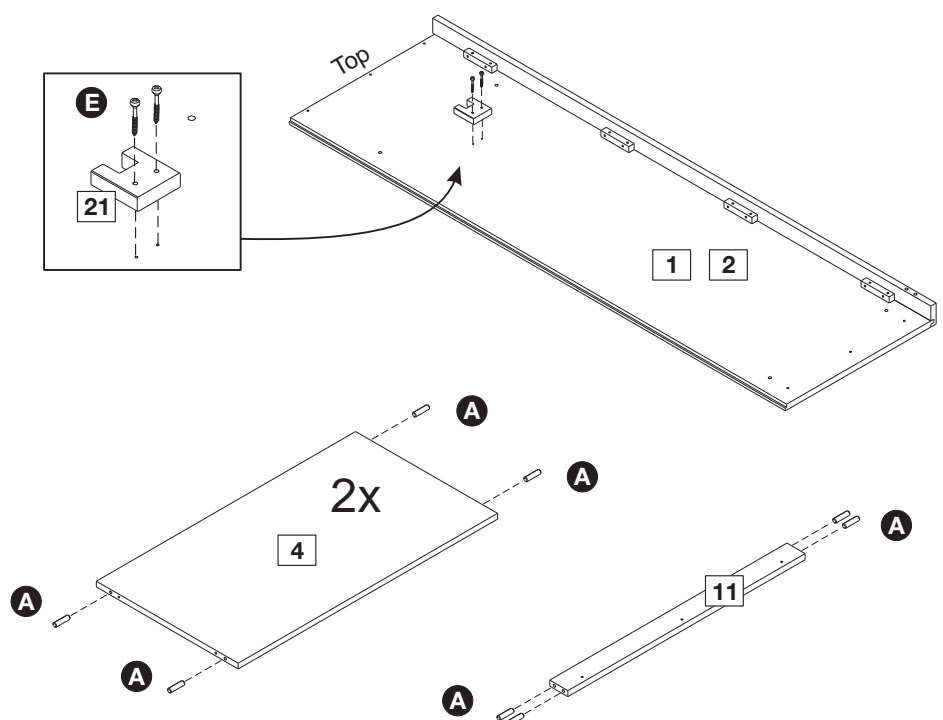


## Step 2

Attach hanging rail supports **21** to the side panel **1** and **2** using screws **E** in the pre drilled holes.

Insert 8 dowels into base panels **4**.

Insert 4 dowels into horizontal front frame **11**.



# Assembly Instructions

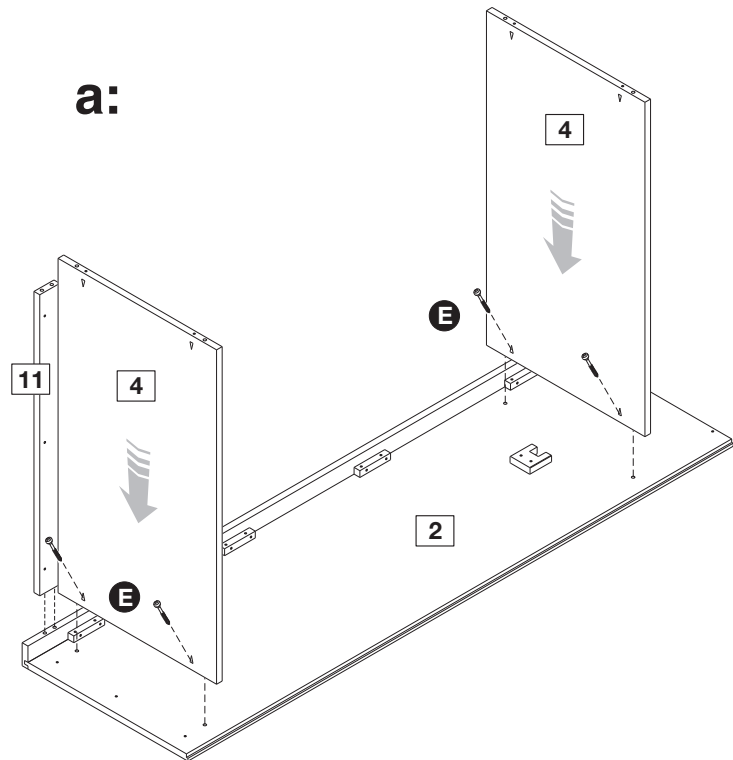
## Step 3

### Assembling the cabinet.

Two people required for an easier assembly.

**a:** Attach panels **4** in left side panel **2** using screws **E**.

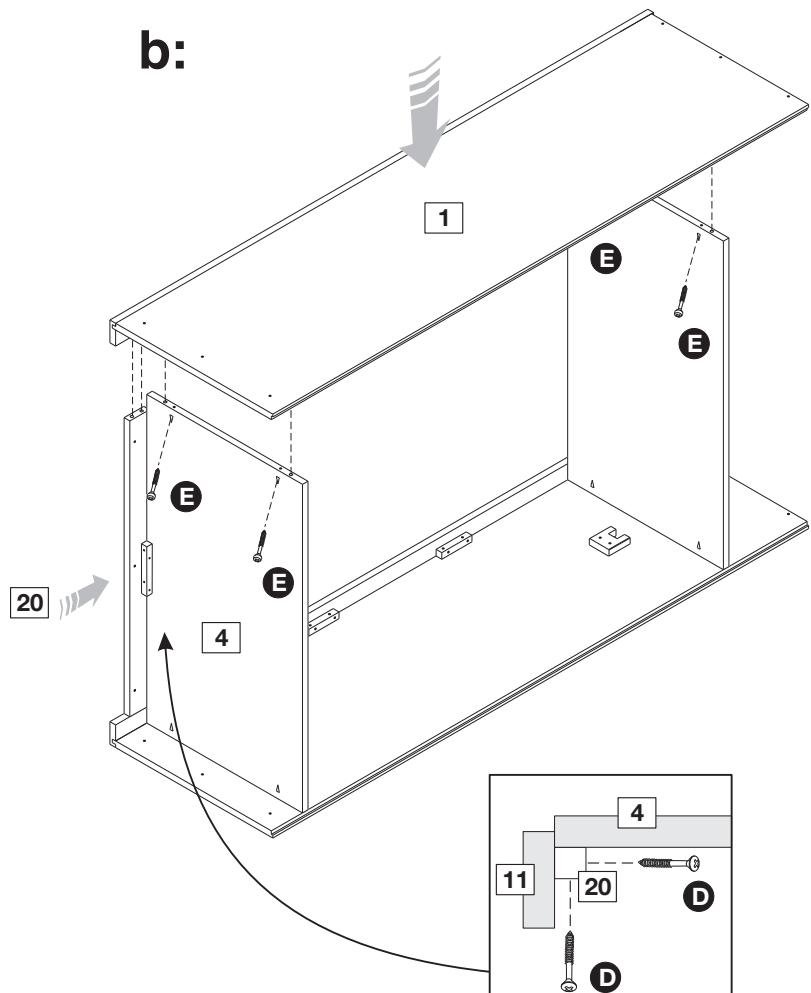
Insert horizontal front frame **11** to the left front frame **6**.



**b:** Place right side **1** properly ensuring dowels are all fit into their holes at the same time.

Fix panels **4** to the right side panel **1** using screws **E**.

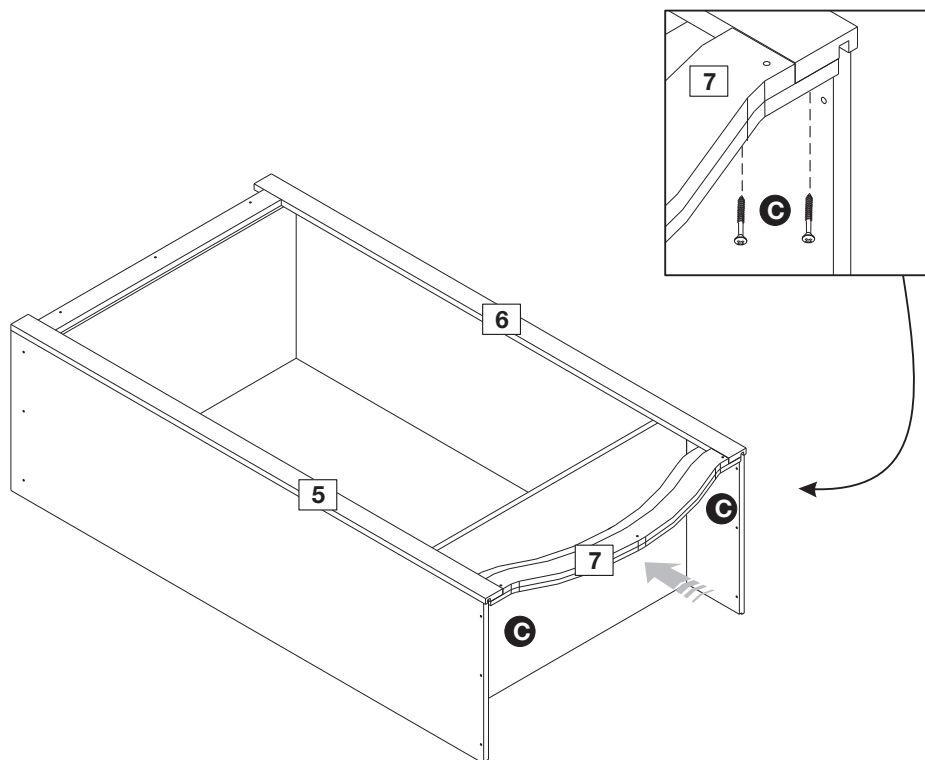
Attach the block **20** in base panel **4** and to the horizontal front frame **11** using screws **D** as shown in the diagram.



# Assembly Instructions

## Step 4

Fix curved top rail **7** to the right front frame **5** and left front frame **6** using screws **C**.



## Step 5

**a:** Fix side top mouldings **14** to the sides using screws **D**.



**Attention:**

Ensure top mouldings are fixed in the correct position in a height of 7mm from the top edge of the side panels and aligned to the side panels.

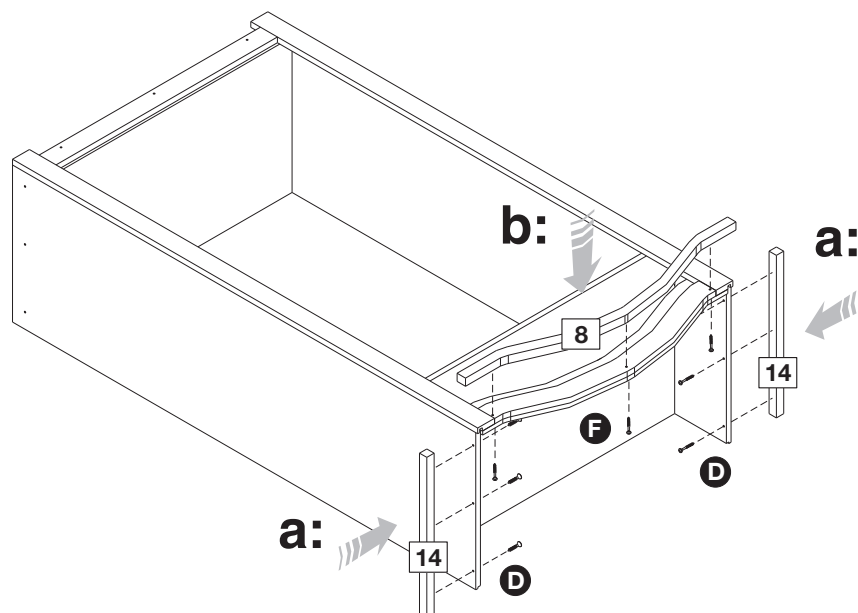
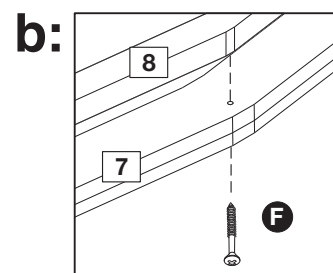
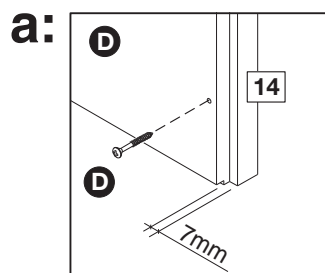
**b:** Fix curved top moulding **8** to the curved top rail **7** using screws **F**.



**Note:**

Make sure moulding is aligned to the top rail and to the side mouldings.

**Attention!**





# Assembly Instructions

## Step 6

**a:** Fix side plinths **13** to the sides using screws **D**.



**Note:**

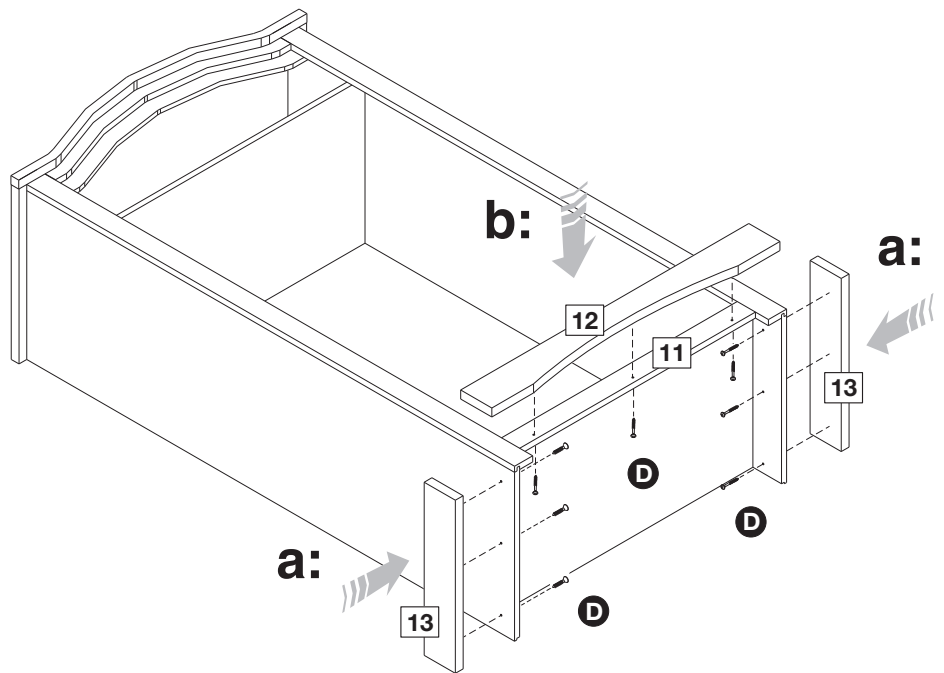
Make sure plinths are aligned to the bottom edge and to the front of the side panels prior to fixing.

**b:** Fix front plinth **12** to the horizontal front frame **11** using screws **D**.



**Note:**

Align plinth **12** to the sides and bottom edge of the side panels before fixing.



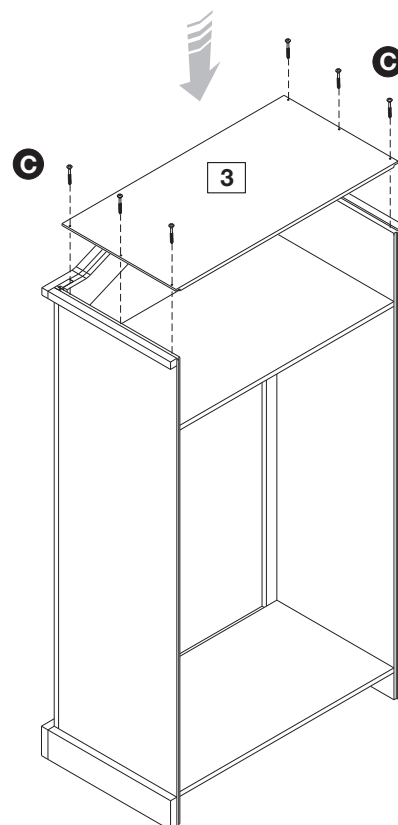
## Step 7



**Important:**

With help, carefully stand the product upright.

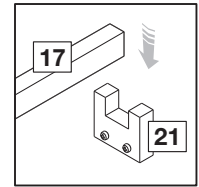
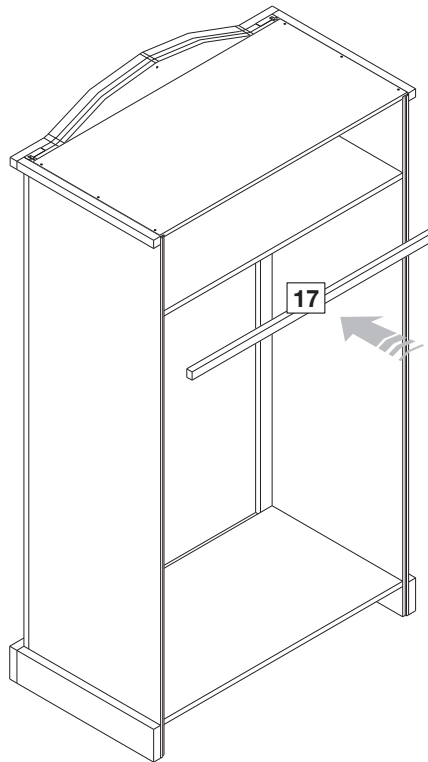
Attach top panel **3** to the cabinet using screws **C**.



# Assembly Instructions

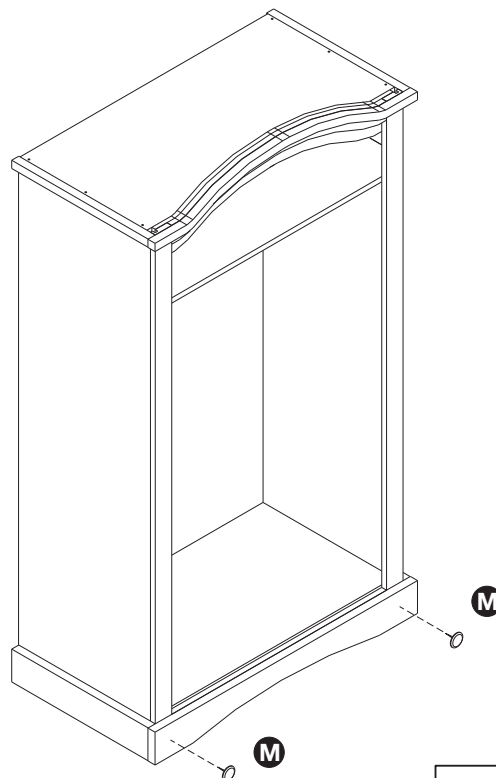
## Step 8

Insert hanging rail **17** into the supports.



## Step 9

Fix metal studs **M** into the pre drilled holes in the front plinth.



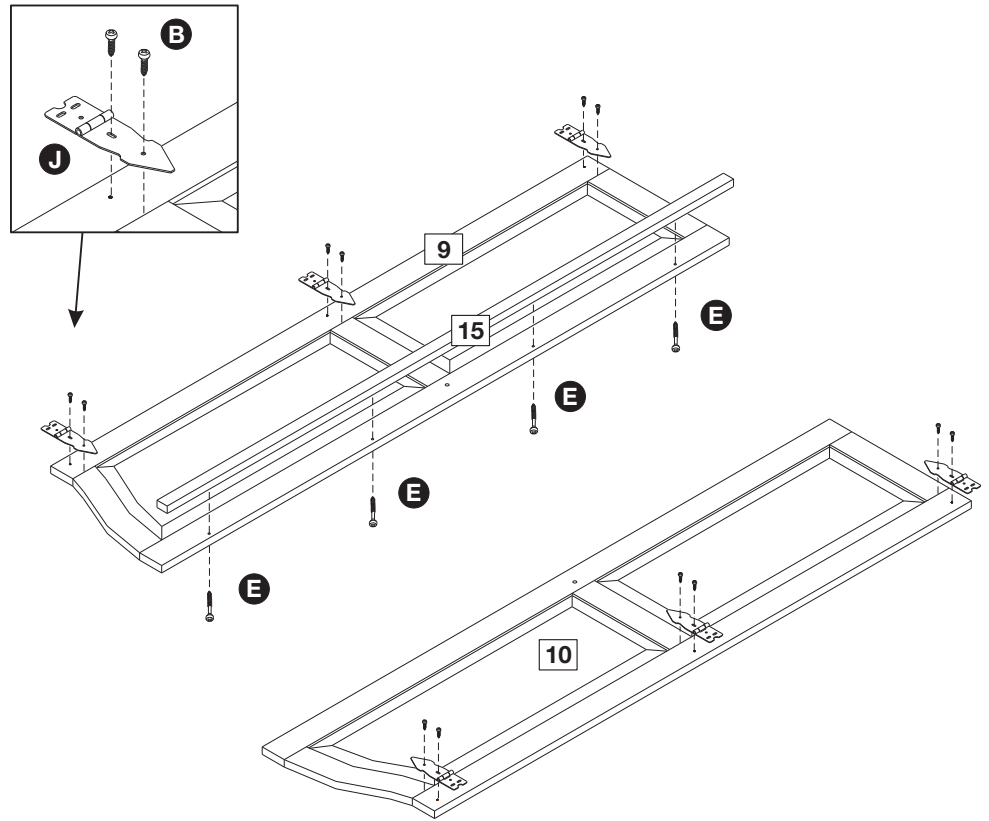
# Assembly Instructions

## Step 10

### Fitting hinges to the doors.

Attach hinges **J** to the pre drilled holes in the doors using screws **B**.

Attach the door knocker **15** to the pre drilled holes in the right door **9** using screws **E**.



## Step 11

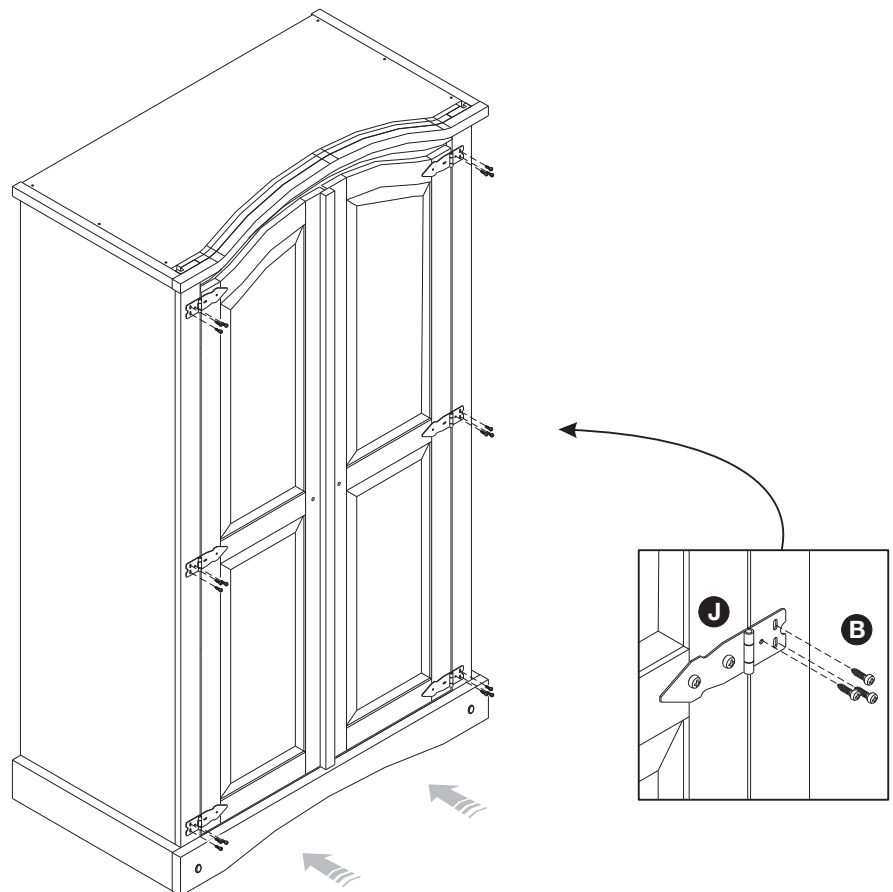
### Hanging door.

With help centralise the doors in the opening of the cabinet then fix the hinges **J** using screws **B** as shown.



**Note:**

To ensure the alignment of the door is correct, centralise the door in the opening before attaching to the cabinet.



# Assembly Instructions

## Step 12

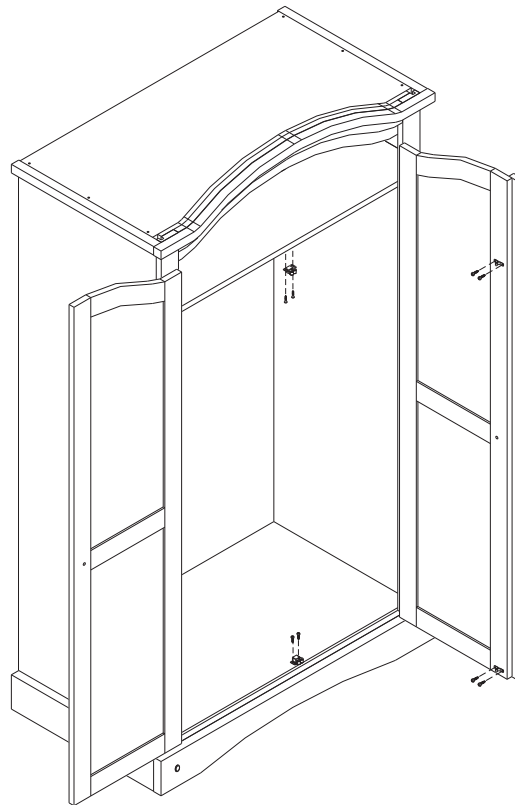
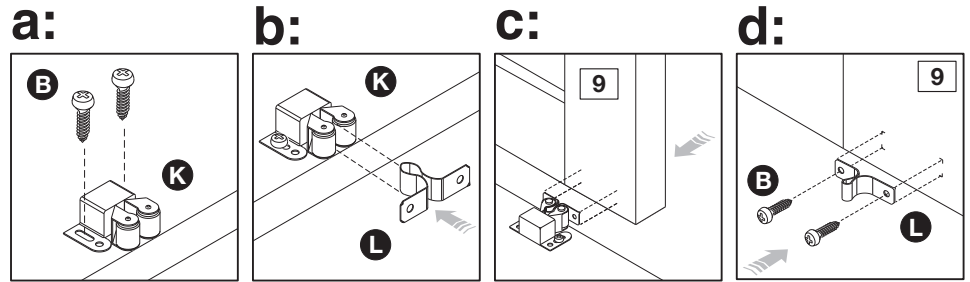
### Fitting door locks.

**a:** Screw clips **K** in place using screws **B**. Ensure that the 2 small wheels are flush with the edge of the base.

**b:** Insert plugs **L** into clips **K**, ensuring they are leveled.

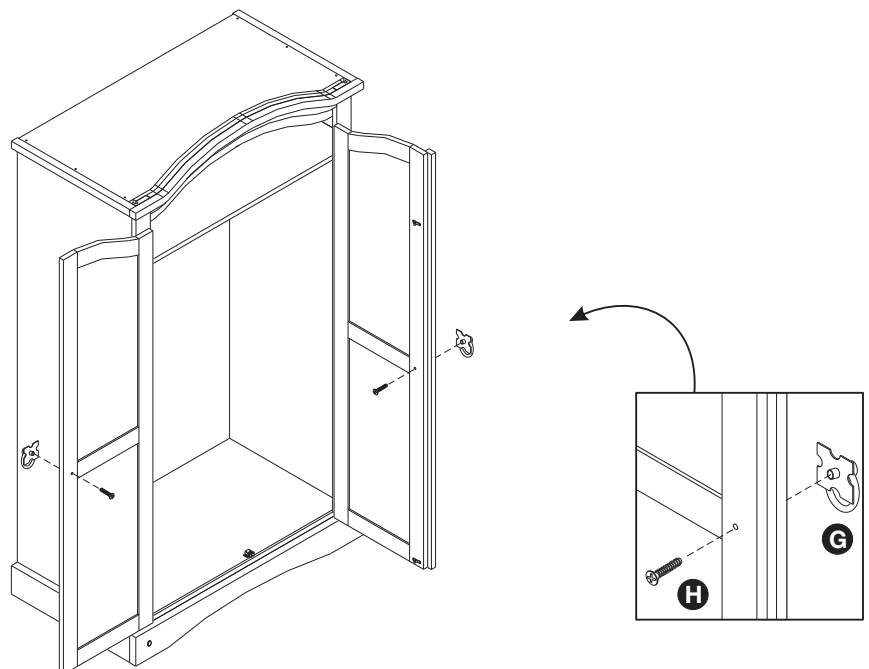
**c:** Push the door against the plugs **L**. This will make 4 small marks on the doors.

**d:** The doors can then be opened and plugs **L** can be screwed into place using the 4 marks made as a guide. This will ensure that the 2 parts of the door clips are lined up correctly.



## Step 13

Attach handles **G** to the doors using screws **H**.



# Assembly Instructions

## Step 14

### Fixing back panels.



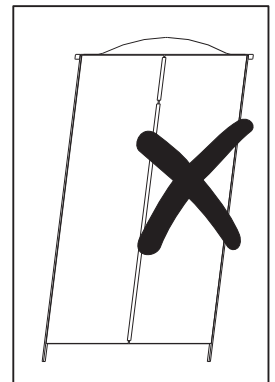
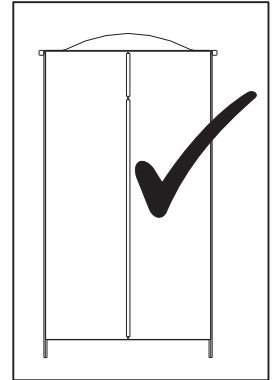
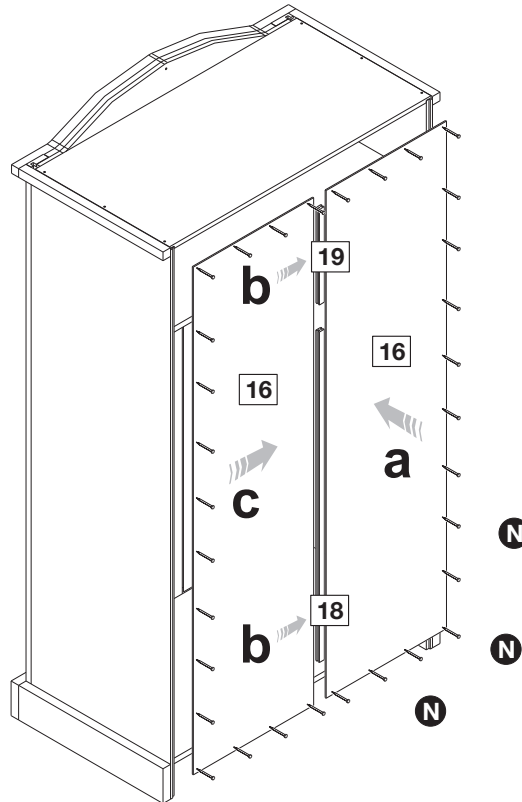
**Important:**

Cabinet **MUST** be up right and 'square' when back panels are attached.

**a:** Attach the right back panel **16** first using nails **N**.

**b:** Position profiles **18** and **19** onto back panel **16** (just attached).

**c:** Carefully slot the second back panel **16** into the profiles and fix it to the cabinet using nails **N**.



## Step 15

### Fixing to wall.

It is recommended that the furniture is fixed to a wall. Fix wall strap **P** to top of furniture using washer **O** and screw **B**. With help, move furniture into position.



**Lift with care.**

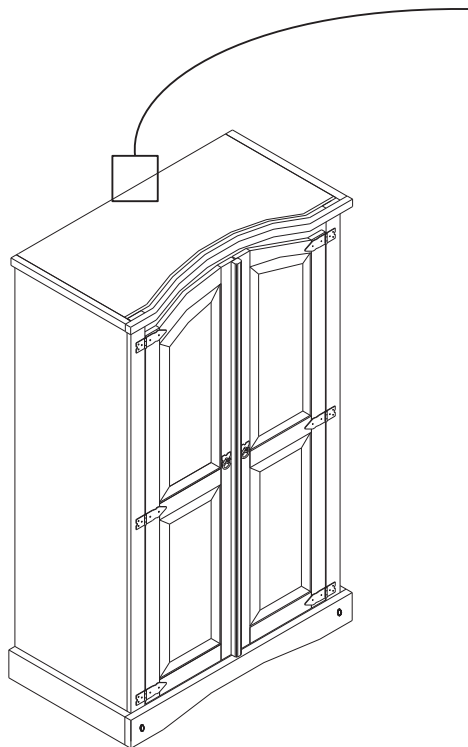
Mark fixing hole on wall and remove furniture. Drill hole and insert wall plug (not supplied).



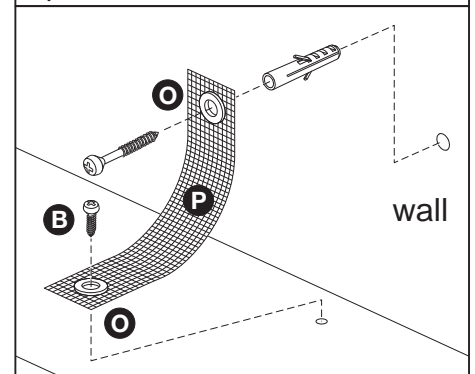
**Warning:** Before drilling check wall for hidden pipes and cables.

Reposition furniture and fix wall strap using washer **O** and suitable screw.

**Assembly is complete.**



**Note:** Wall plugs not supplied. The correct type of fixing must be used for your wall, seek professional advice if in doubt.

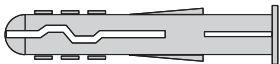


If you need help or have damaged or missing parts, call the **Customer Helpline: 08456 400 800**

# A Guide to - Wall Mounting & Fixings

## Important note:

If plastic wall plugs are supplied with your product:



- these are only suitable for use in masonry walls.

If you are in any doubt about the correct wall plugs for your wall, seek professional advice.


Failure of the product due to using incorrect fixings is the responsibility of the installer.



**Important:** When drilling into walls always check that there are no hidden wires or pipes etc.

Make sure that the screws and wall plugs being used are suitable for supporting your unit. Consult a qualified tradesperson if you are unsure.

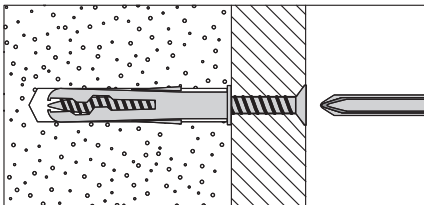
## Hints:

- 1: General rule:**  Always use a larger screw and wall plug if you are not sure.
- 2:** Ensure you use the recommended drill bit to match the wall plug and hole size.
- 3:** Ensure you drill the hole horizontally, do not force the drill or enlarge the hole.
- 4:** Take extra care when drilling high walls, ceilings and ceramic tiles. Ensure wall plugs are inserted beyond the thickness of the ceramic tiles to avoid the tiles splitting or cracking.
- 5:** Ensure wall plugs are well fitted and are a tight fit in the drilled hole.

## Types of walls

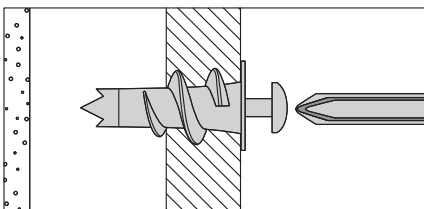
You can use one of the following types of wall plug if your walls are made of brick, breeze block, concrete, stone or wood.

### No.1 "General Purpose" wall plug



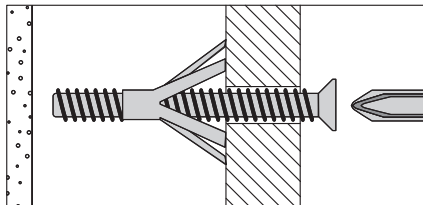
Generally aerated blocks should not be used to support heavy loads, use a specialist fitting in this case. For light loads, general purpose wall plugs can be used.

### No.2 "Plasterboard" wall plug



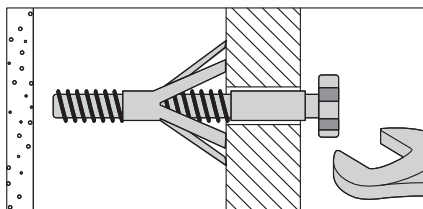
For use when attaching light loads on to plasterboard partitions.

### No.3 "Cavity Fixing" wall plug



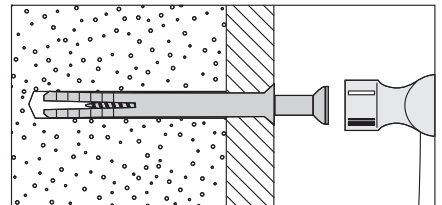
For use with plasterboard partitions or hollow wooden doors.

### No.4 "Cavity Fixing-Heavy Duty" wall plug



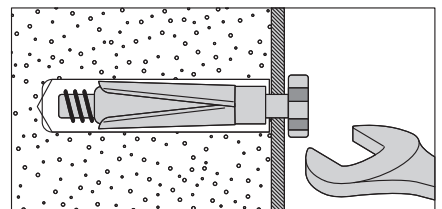
For use when fitting or supporting heavy loads such as shelving, wall cabinets and coat racks.

### No.5 "Hammer Fixing" wall plug



For use with walls stuck with plasterboard. The hammer fixing allows it to be fixed to the wall rather than the plasterboard. Always check the fixing is secure to the retaining wall.

### No.6 "Shield Anchor" wall plug Heavy loads



For use with heavier loads such as TV & HiFi speakers and satellite dishes etc.



## Care & Maintenance

**Safety:** Always check the fitting and location to ensure your safety in and around the home.

**Fitting:** From time to time check the fitting to ensure the wall plugs or screws do not become loose.