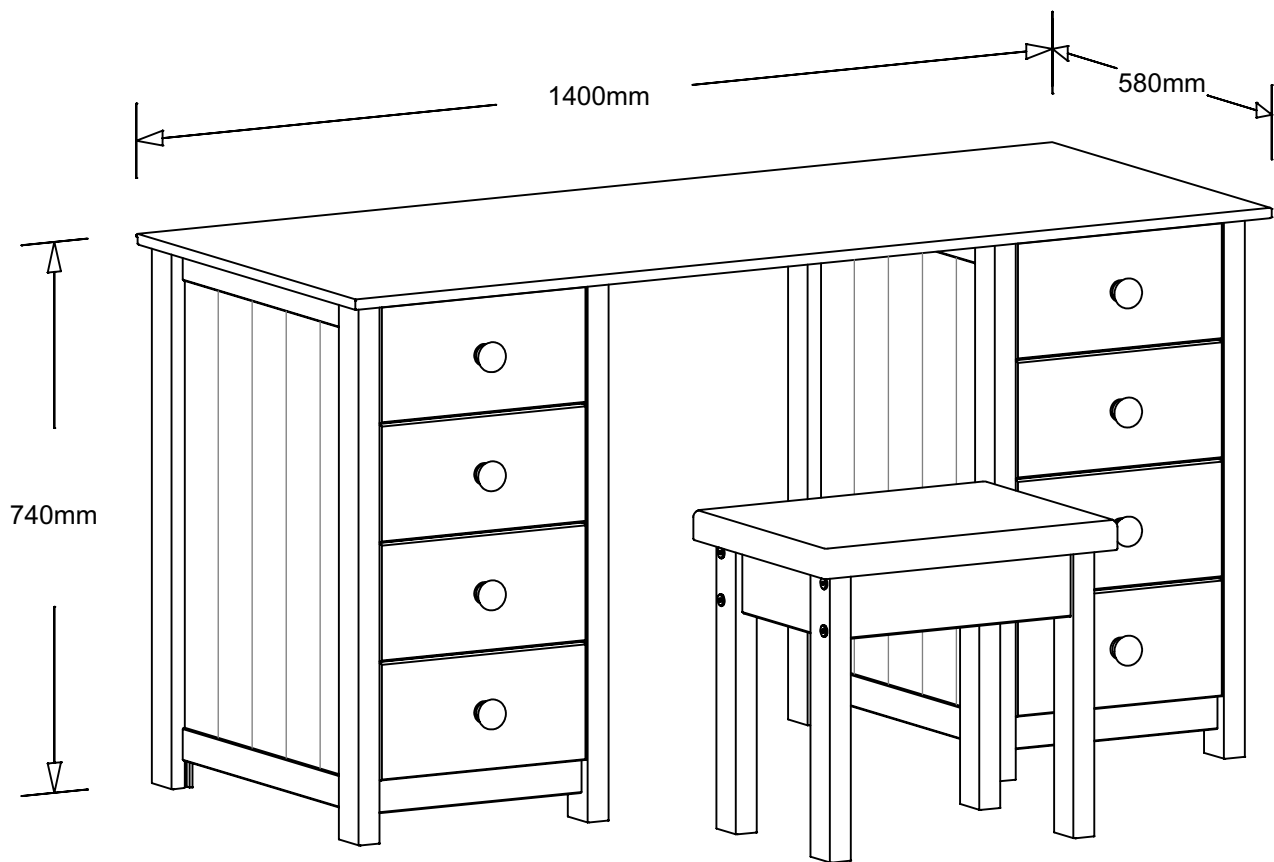


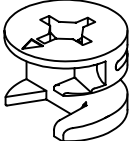

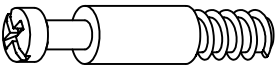



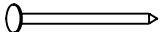


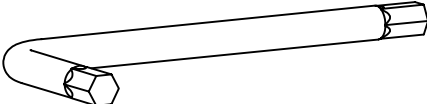
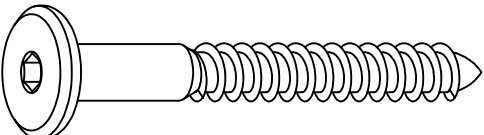
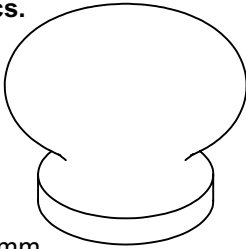

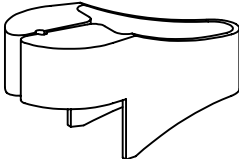
Scandinavia

Dressing table w. 8 drawers + stool



Please sort out all parts before you begin to assemble the item.
This to make sure you always use the correct part.

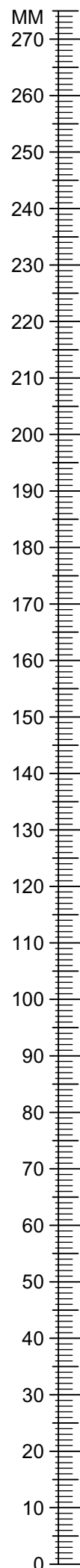
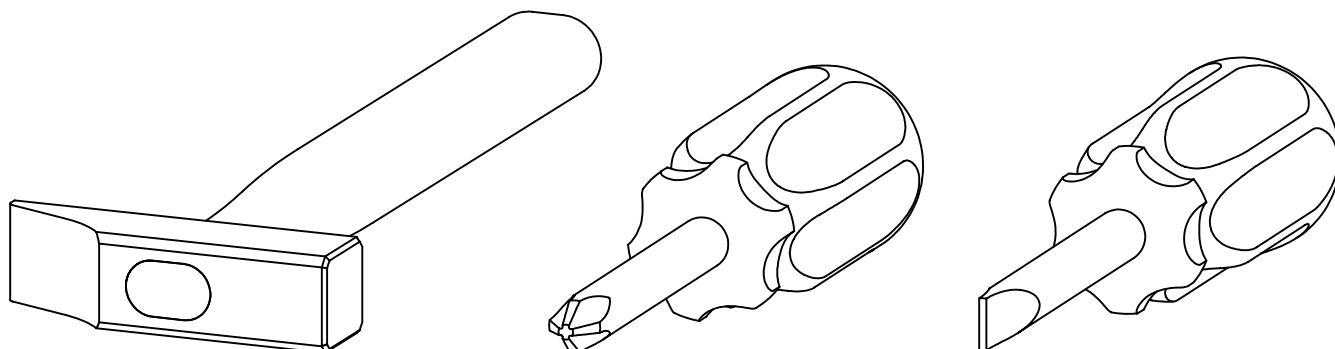
Fittings contained in the box.

<p>A 20 pcs. Cam - $\varnothing 15 \times 12\text{mm}$</p> 	<p>B 32 pcs. Cam - $\varnothing 12 \times 10,5\text{mm}$</p> 	<p>C 52 pcs. Bolt - $\varnothing 6,5 \times 24/11\text{mm}$</p> 
<p>D 8 pcs. Screw - $\varnothing 3,5 \times 12\text{mm}$</p> 	<p>E 32 pcs. Screw - $\varnothing 3,5 \times 25\text{mm}$</p> 	<p>F 40 pcs. Screw - $\varnothing 3,5 \times 35\text{mm}$</p> 
<p>G 30 pcs. Nail - $1,2 \times 20\text{mm}$</p> 	<p>H 4 pcs. Dowel - $\varnothing 6 \times 30\text{mm}$</p> 	<p>J 4 pcs. Dowel - $\varnothing 8 \times 30\text{mm}$</p> 
<p>K 1 pcs. Allen key - 4mm</p> 	<p>L 8 pcs. Screw - $\varnothing 7 \times 60\text{mm}$</p> 	
<p>M 8 pcs.</p>  <p>Knob $\varnothing 40 \times 30\text{mm}$</p>	<p>N 4 pcs. Angle - $16 \times 20 \times 20\text{mm}$</p> 	<p>P 1 pcs. Nail guide</p> 

Hazard Warning !
Keep small components out of the reach of children.

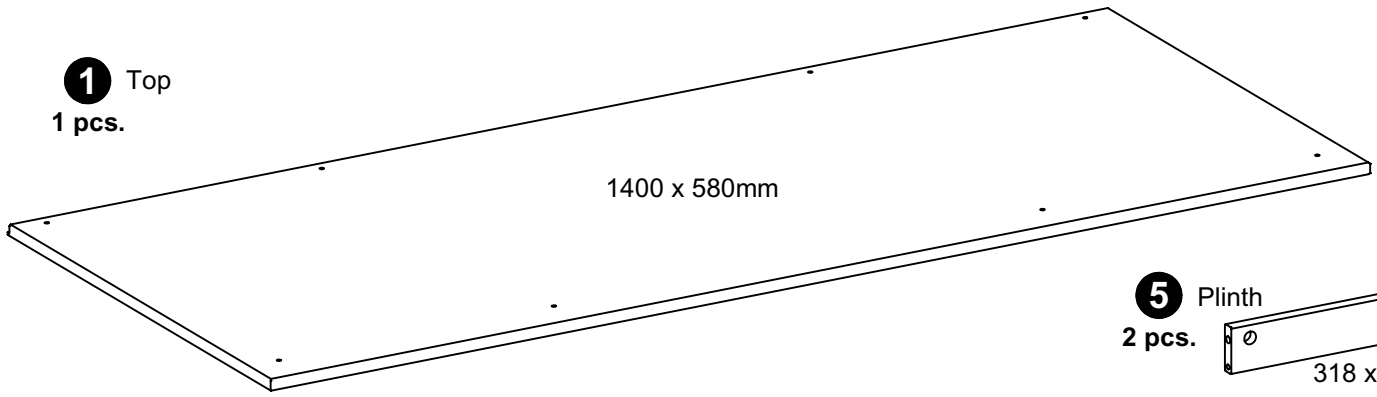
Fittings A, B, C, D, E, F, G, H, J, L and N are shown in their actual dimensions.

Tools needed.



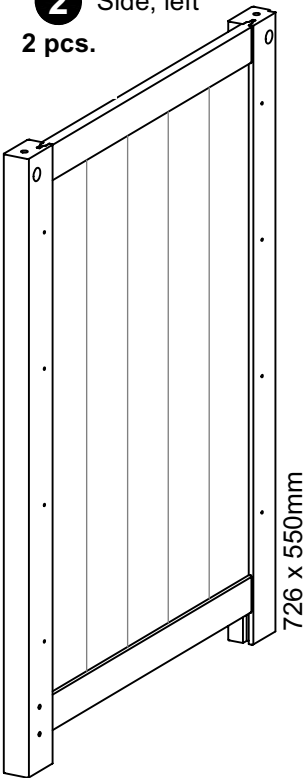
Wooden parts contained in the box.

1 Top
1 pcs.

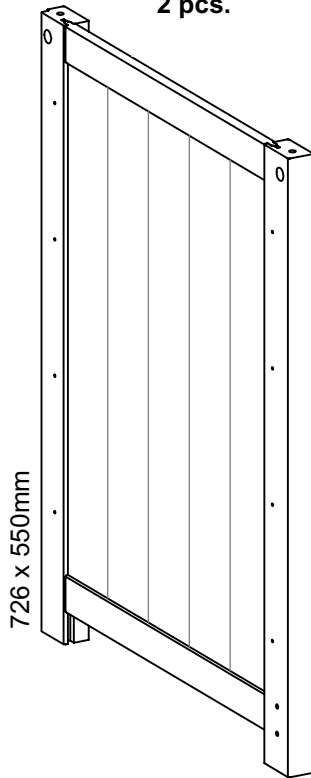


5 Plinth
2 pcs.
318 x 55mm

2 Side, left
2 pcs.



3 Side, right
2 pcs.



4 Drawer runner
16 pcs.
521 x 16mm

6 Drawer front
8 pcs.
314 x 157mm

7 Drawer back
8 pcs.
286 x 92mm

8 Drawer side, left
8 pcs.
442 x 107mm

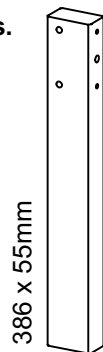
9 Drawer side, right
8 pcs.
442 x 107mm

10 Drawer bottom
8 pcs.
439 x 297mm

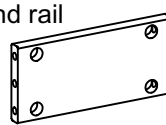
11 Back
2 pcs.
680 x 336mm



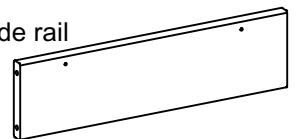
12 Stool leg
4 pcs.
386 x 55mm



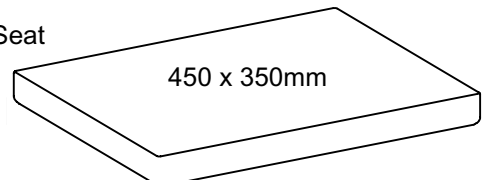
13 End rail
2 pcs.
194 x 90mm



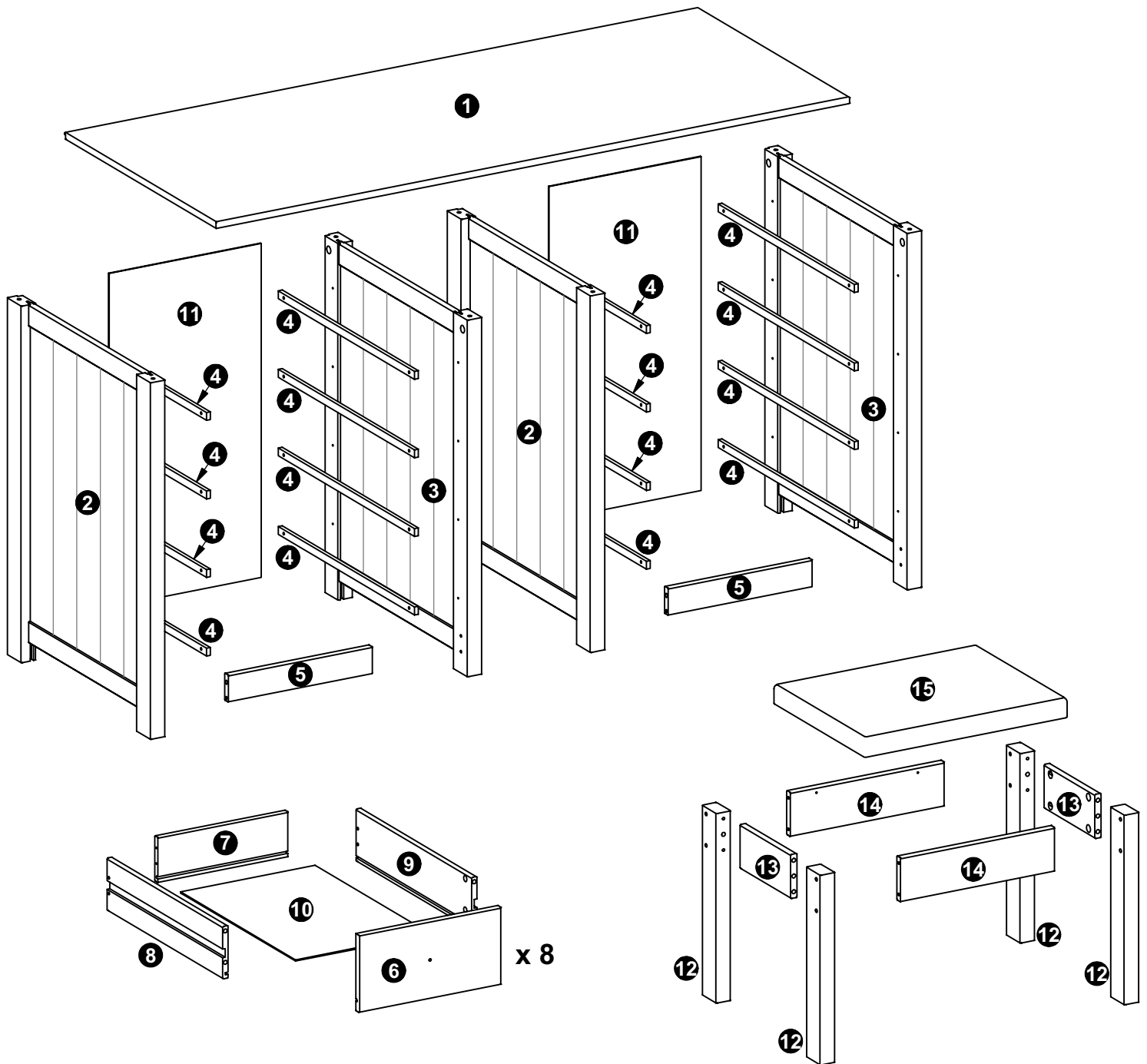
14 Side rail
2 pcs.
340 x 90mm



15 Seat
1 pcs.
450 x 350mm



Key diagram.



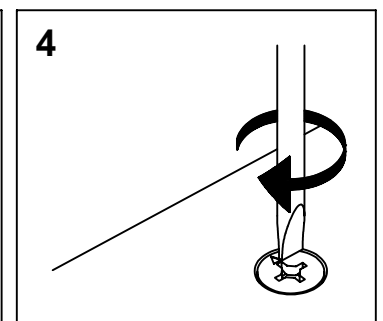
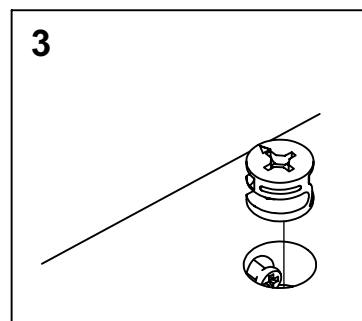
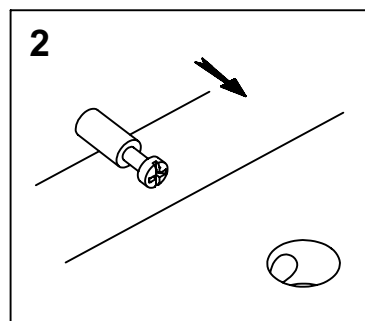
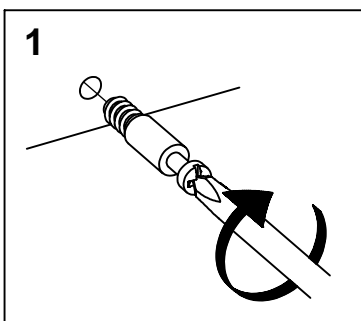
Function of cam & bolt.

Step 1:
Fix the bolt to the wooden panel.

Step 2:
Push the wooden panel with the attached bolt onto the other wooden panel.

Step 3:
Place the cam into the hole, arrow pointing towards the bolt.

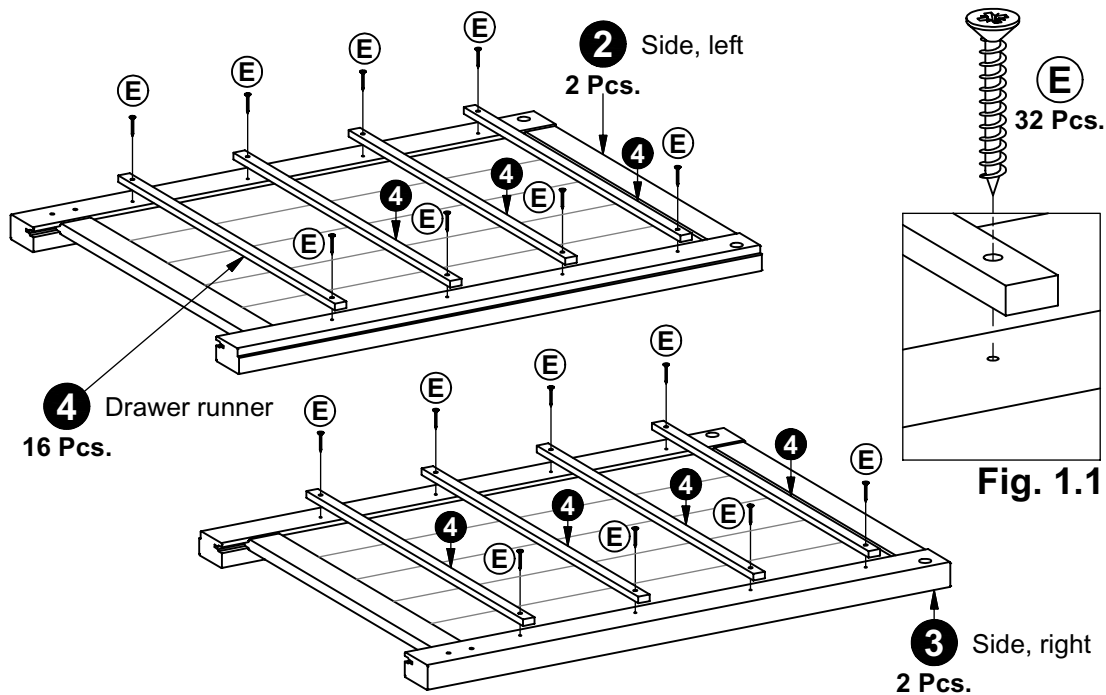
Step 4:
Tighten: Turn the cam to the right.



1. Fixing the drawer runners to the sides.

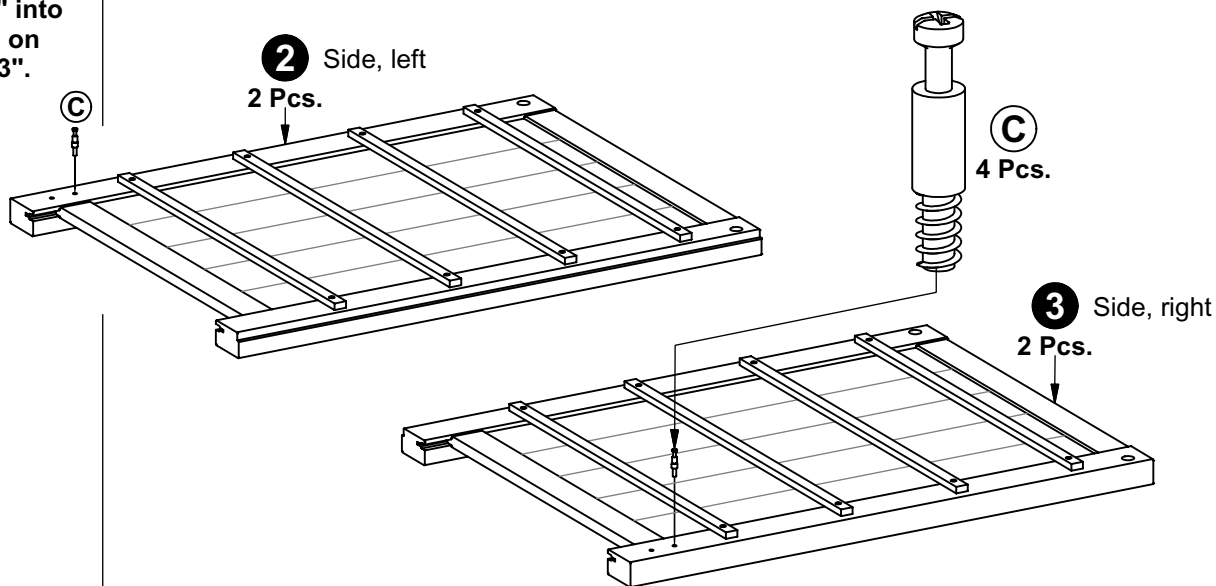
Fix the drawer runners "4" to the sides "2" and "3", using screws "E".

Screw the screw in until the screw head is sunk and flush with the wood.



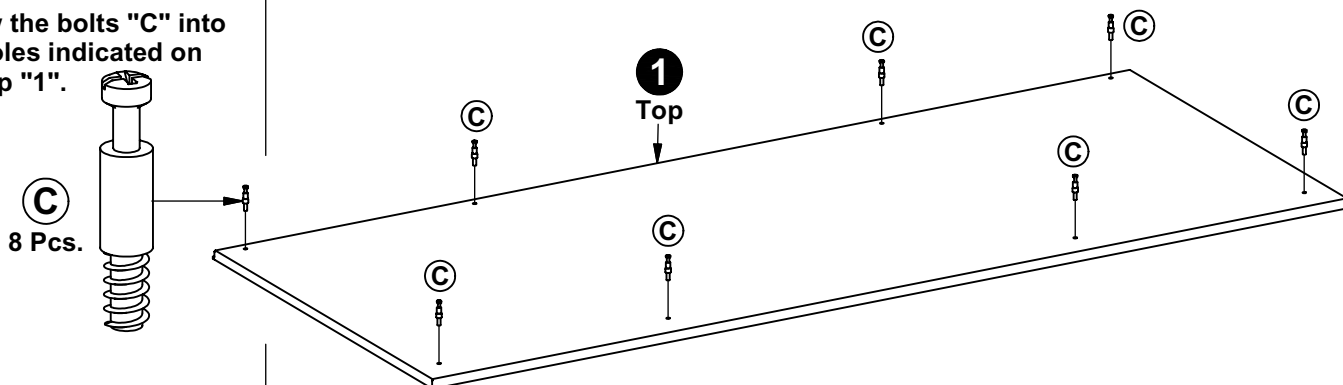
2. Mounting the bolts to the sides.

Screw the bolts "C" into the holes indicated on the sides "2" and "3".



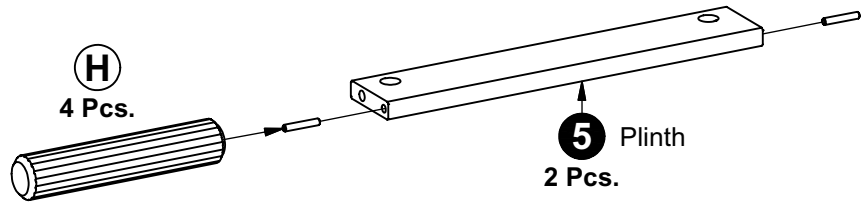
3. Mounting the bolts to the top.

Screw the bolts "C" into the holes indicated on the top "1".



4. Inserting the dowels to the plinth.

Knock the dowels "H" into the holes indicated on the plinths "5".



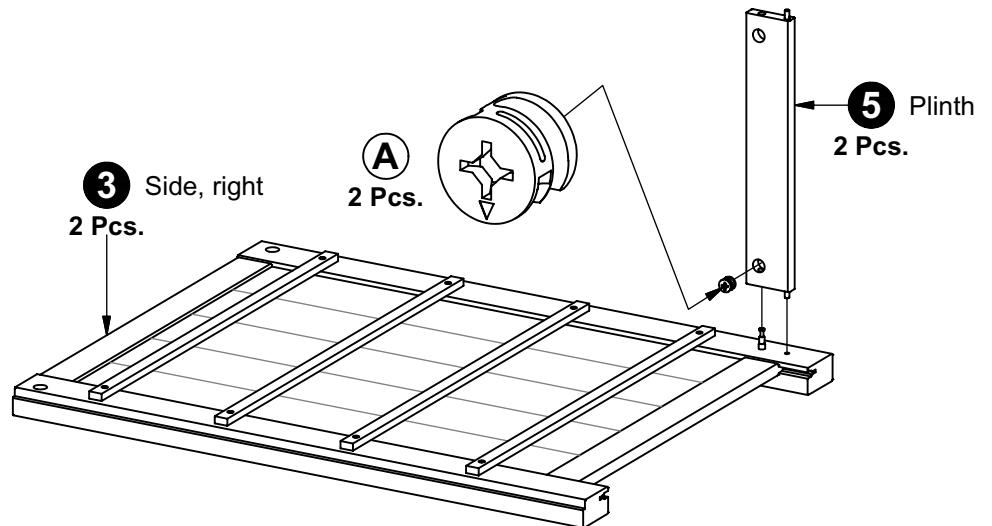
5. Mounting the plinth to the right hand side.

Press the plinths "5" onto the right hand sides "3".

See page 4 "Function of cam & bolt".

Place the cam "A" into the hole indicated, arrow pointing towards the side / bolt.

Tighten:
Turn the cam to the right.



6. Adding the right hand side to the top.

Lower the right hand sides "3" onto the top "1".

DONT fix the sides to the top until fig. 8. See page 7.

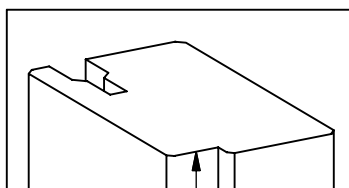


Fig. 6.1

Rabbet = Back

Rabbet = Back

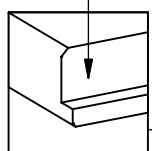
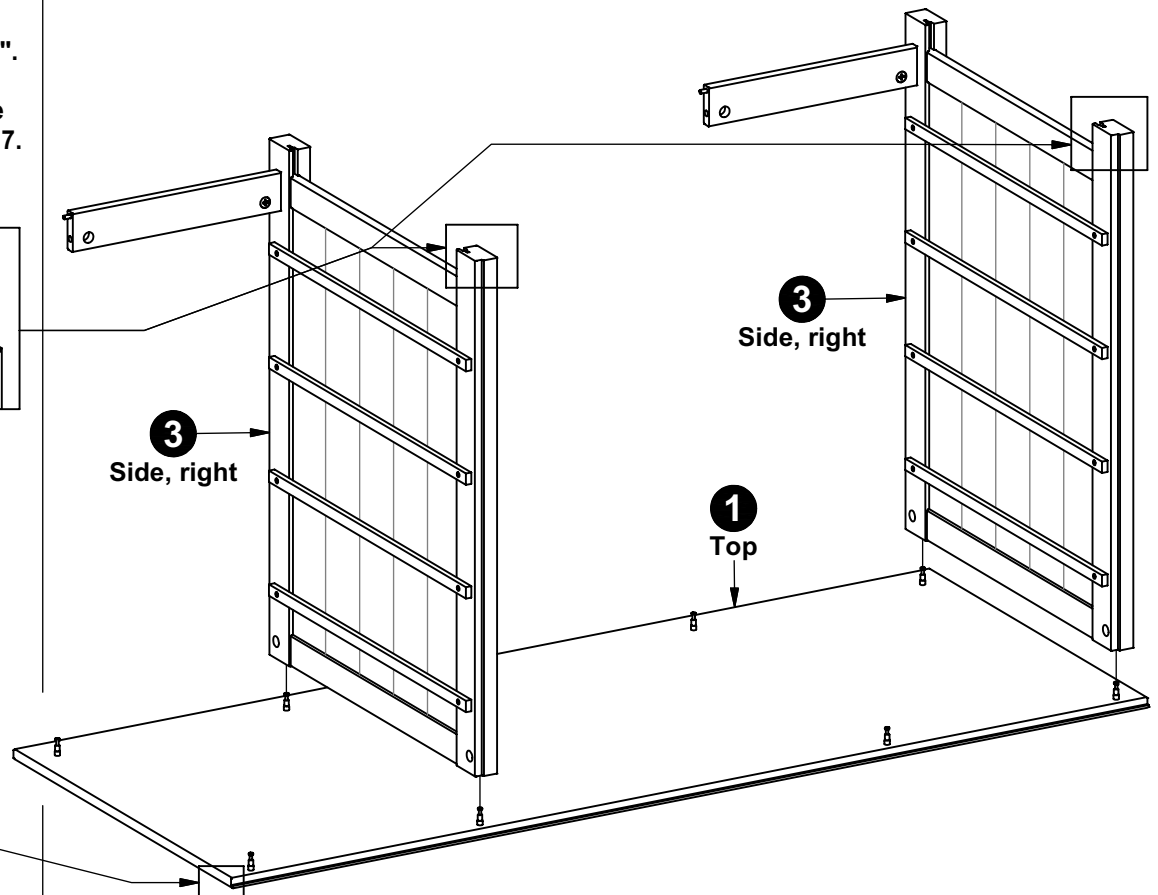


Fig. 6.2



7. Mounting the left hand side to the plinth.

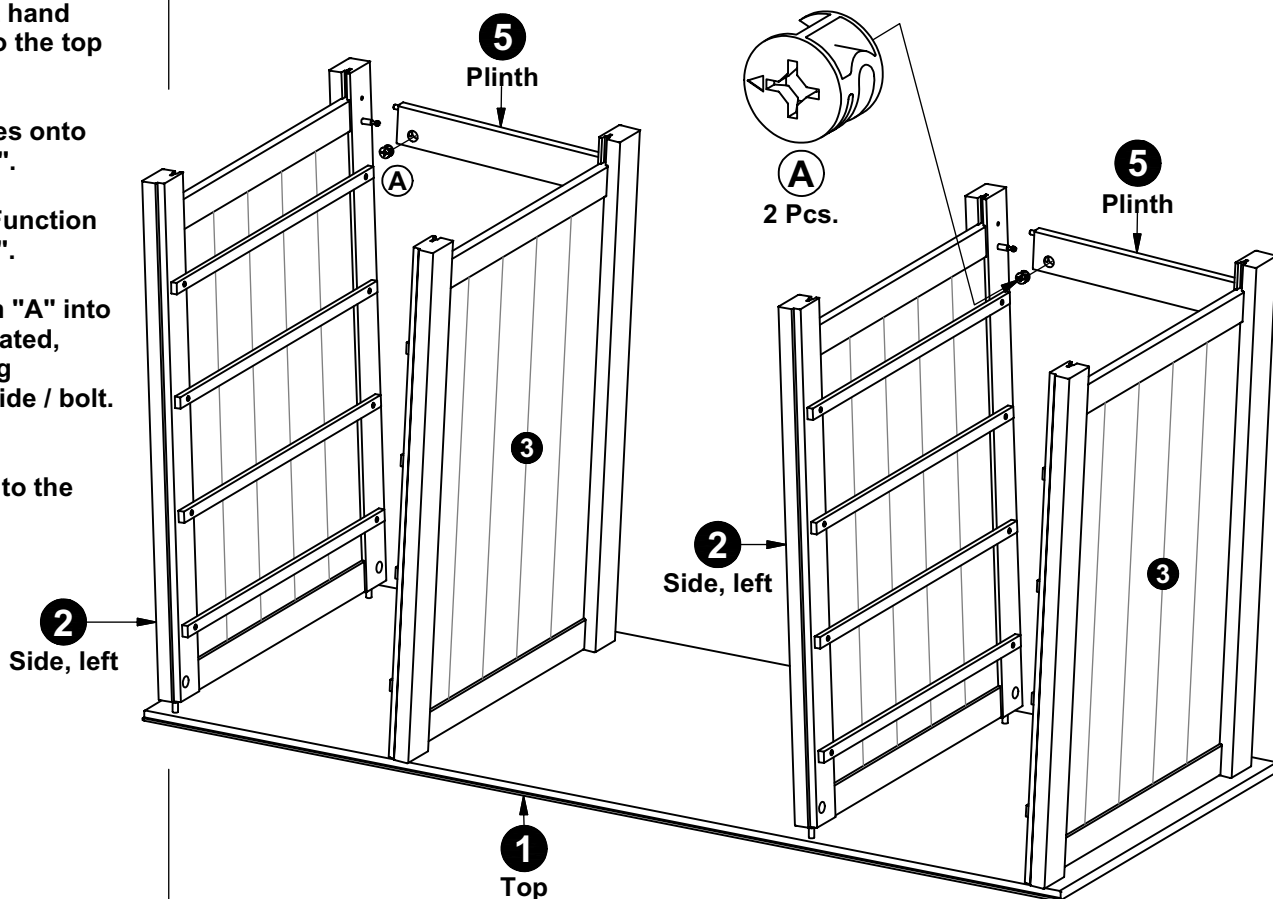
Lower the left hand sides "2" onto the top "1".

Press the sides onto the plinths "5".

See page 4 "Function of cam & bolt".

Place the cam "A" into the hole indicated, arrow pointing towards the side / bolt.

Tighten:
Turn the cam to the right.



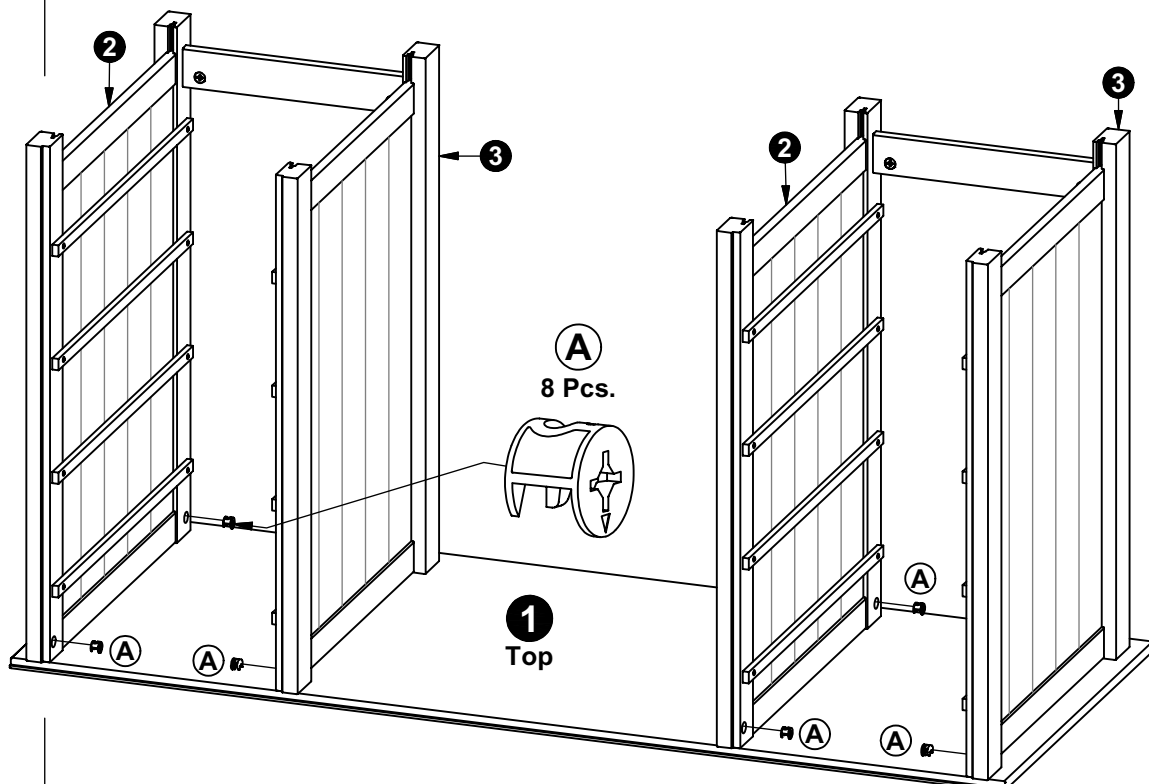
8. Fixing the sides to the top.

Fix the sides "2" and "3" onto the top "1".

See page 4 "Function of cam & bolt".

Place the cam "A" into the hole indicated, arrow pointing towards the bolt.

Tighten:
Turn the cam to the right.



9. Adding the back to the table - 1.

Place the back "11" into the rabbet of the top "1" and the side "3". See fig. 9.1

Ensure that there is **NO GAP** between the right hand side "3" and the back "11", **NOR** between the top and the back.

Fasten the back with nails "G" along the Top. Use the nail guide "P" as shown. Fig. 9.2

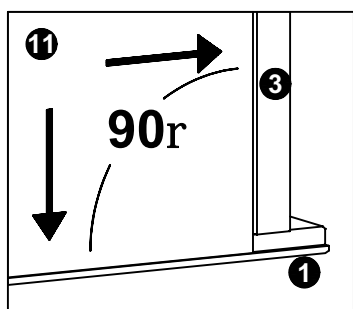


Fig. 9.1

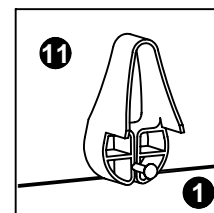
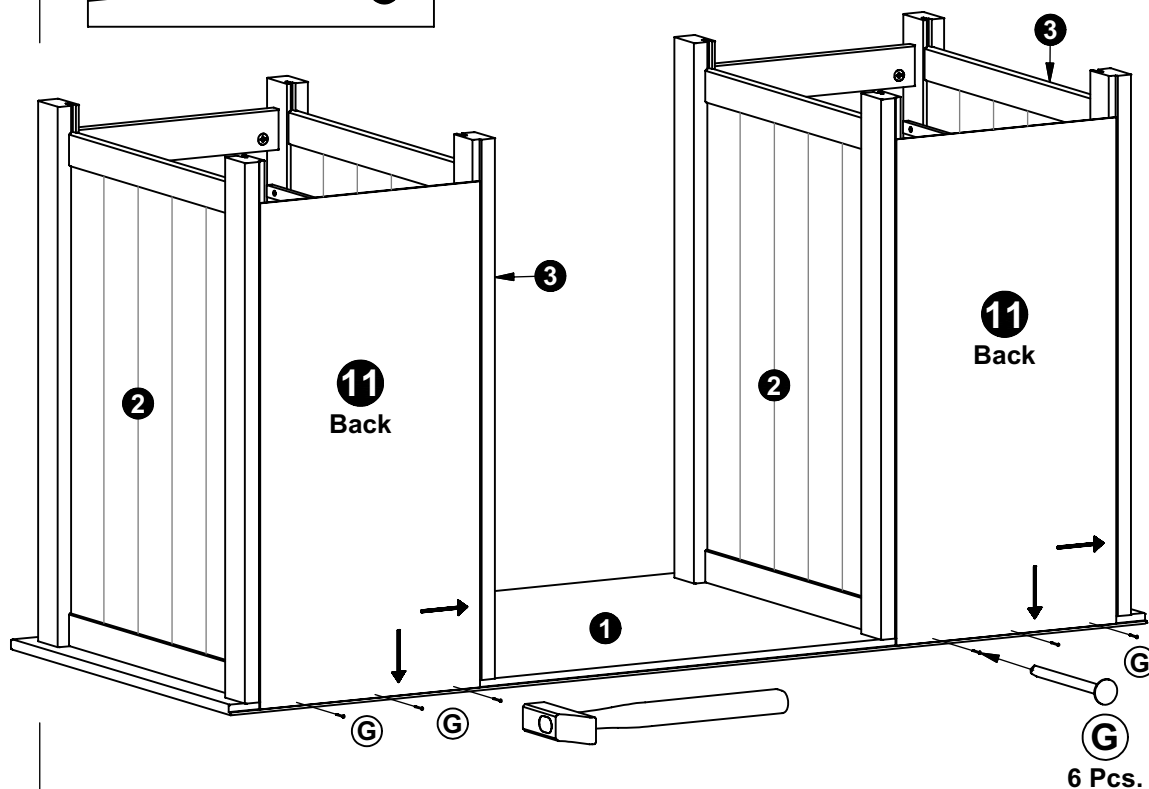


Fig. 9.2

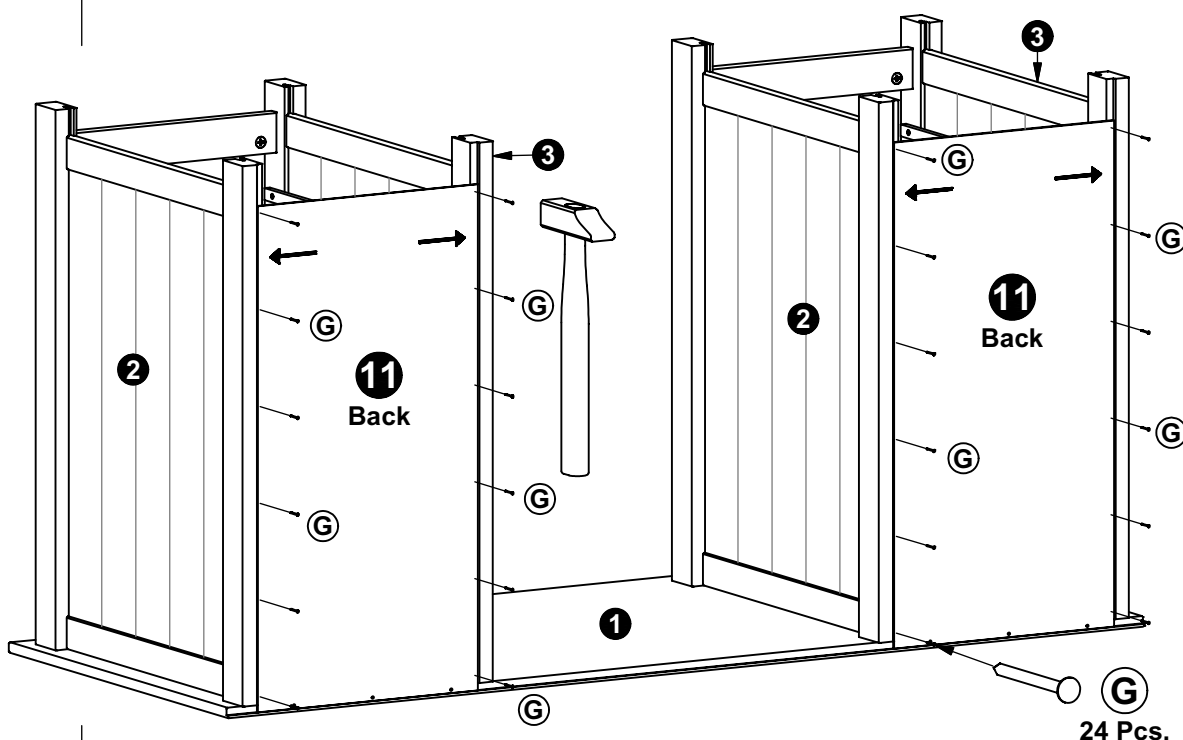


10. Adding the back to the table - 2.

The angle between the top and the side must be 90 degrees. Fig. 9.1

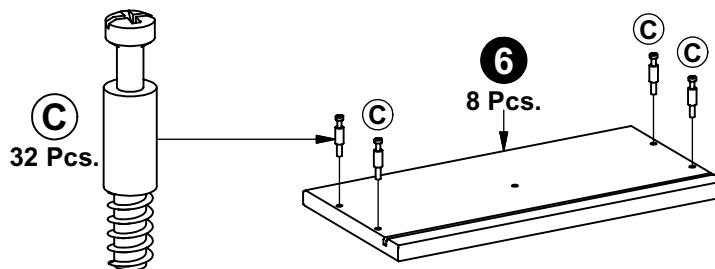
To accomplish this, ensure that there is **NO GAP** between the right hand side "3" and the back "11".

Fasten the back with nails "G" along the sides. Use the nail guide.



11. Mounting the bolts to the drawer front.

Screw the bolts "C" into the holes indicated on the drawer front "6".



12. Mounting the drawer sides to the drawer front.

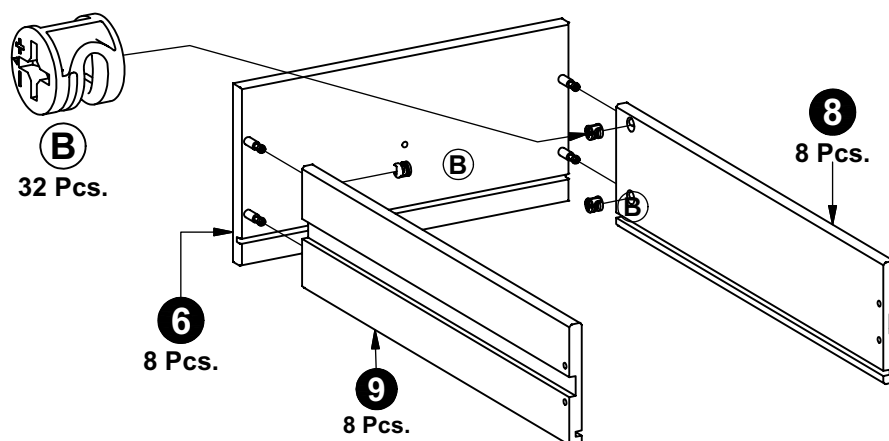
Press the drawer sides "9" and "8" onto the drawer front "6".

Place the cams "B" into the holes indicated, arrows pointing towards the drawer front / bolts.

Tighten:

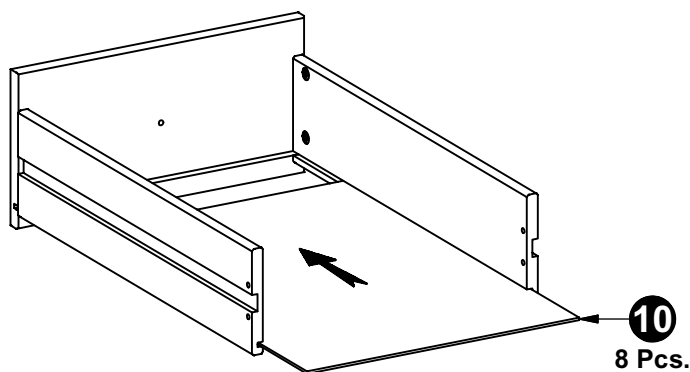
Turn the cam to the right.

"Function of cam & bolt" see page 4.



13. Sliding the drawer bottom into the drawer frame.

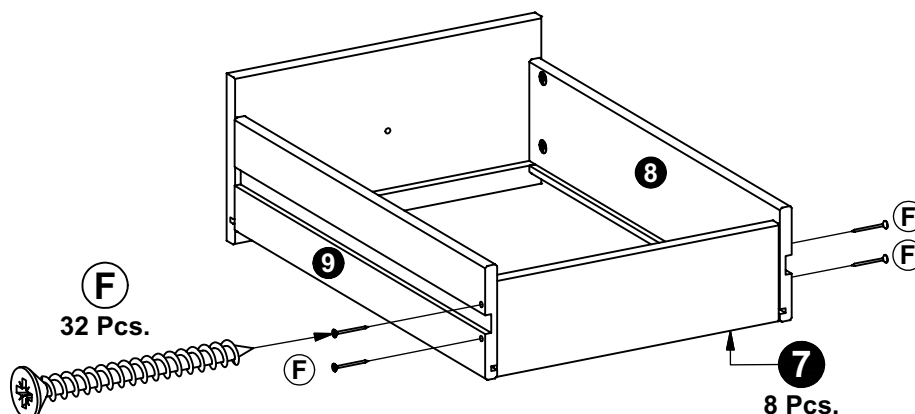
Slide the drawer bottom "10" into the grooves of the drawer frame.



14. Mounting the drawer back to the drawer frame.

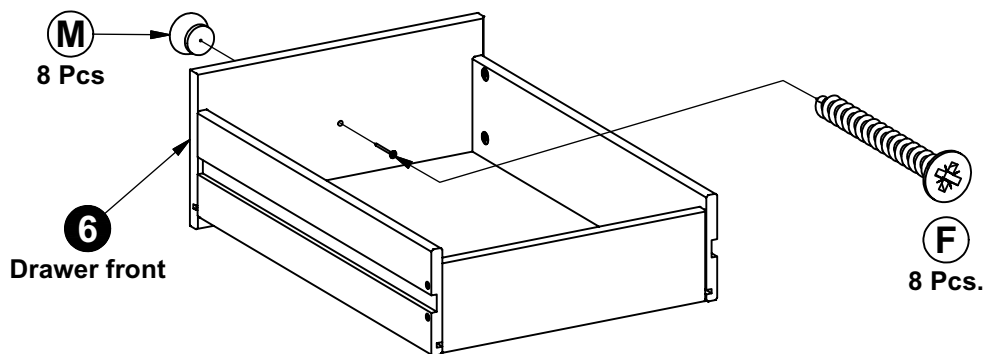
Place the drawer back "7" in between the drawer sides "8" and "9".

Fix the drawer back using screws "F" into the holes indicated.



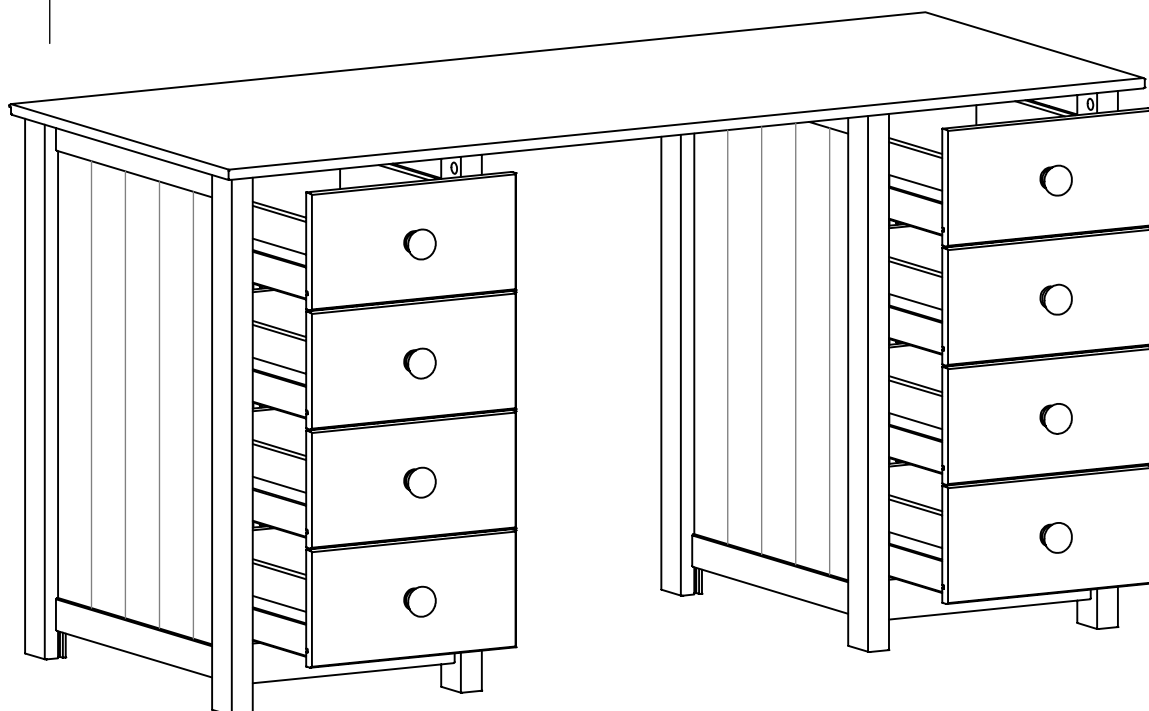
15. Mounting the knobs to the drawer front.

Fix the knobs "M" to the drawer front using screws "F".



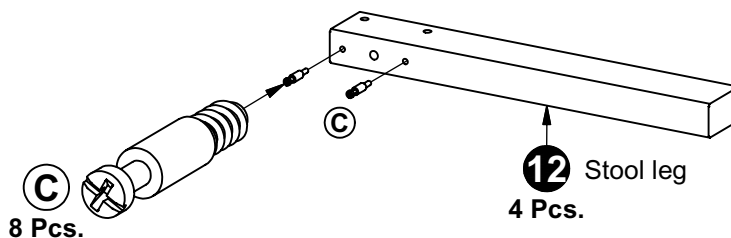
16. Adding the drawers to the table.

Slide the drawers onto the drawer runners.



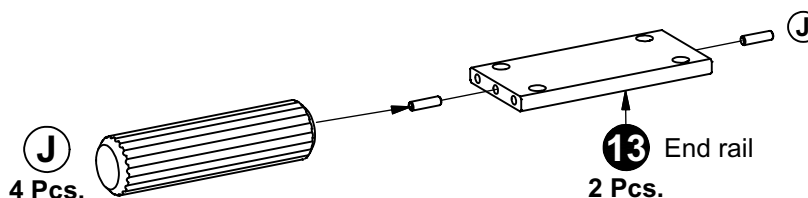
17. Mounting the bolts to the stool legs.

Screw the bolts "C" into the holes indicated on the stool legs "12".



18. Inserting the dowels to the end rail.

Knock the dowels "J" into the holes indicated on the end rails "13".



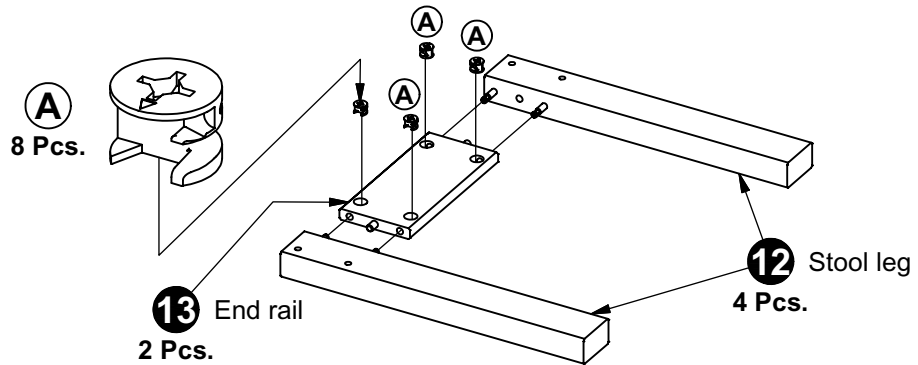
19. Mounting the stool legs to the end rails.

Press the stool legs "12" onto the end rail "13".

See page 4 "Function of cam & bolt".

Place the cam "A" into the hole indicated, arrow pointing towards the bolt.

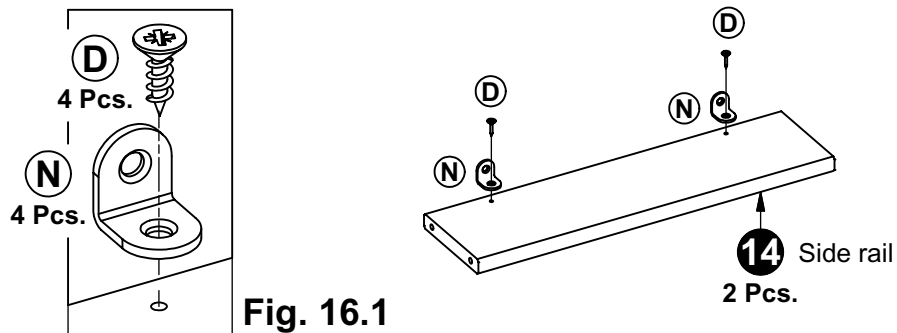
Tighten:
Turn the cam to the right.



20. Fixing the angles onto the side rails.

Fix the angles "N" onto the side rails "14" using screws "D" into the pre-drilled holes.

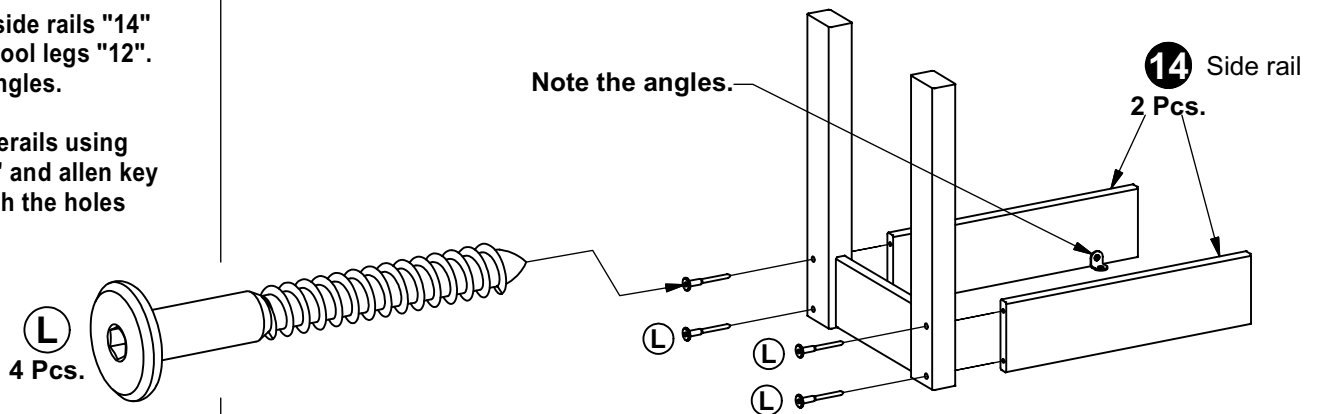
The angles must be turned exactly as shown.



21. Mounting the side rails onto the stool legs - 1.

Press the side rails "14" onto the stool legs "12". Note the angles.

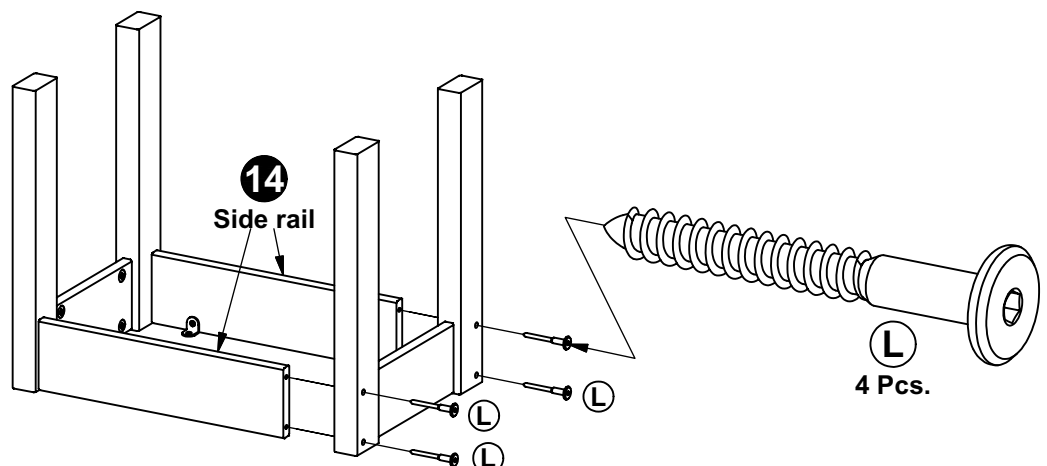
Fix the siderails using screws "L" and allen key "K" through the holes indicated.



22. Mounting the side rails onto the stool legs - 2.

Press the stool legs "12" onto the side rails "14".

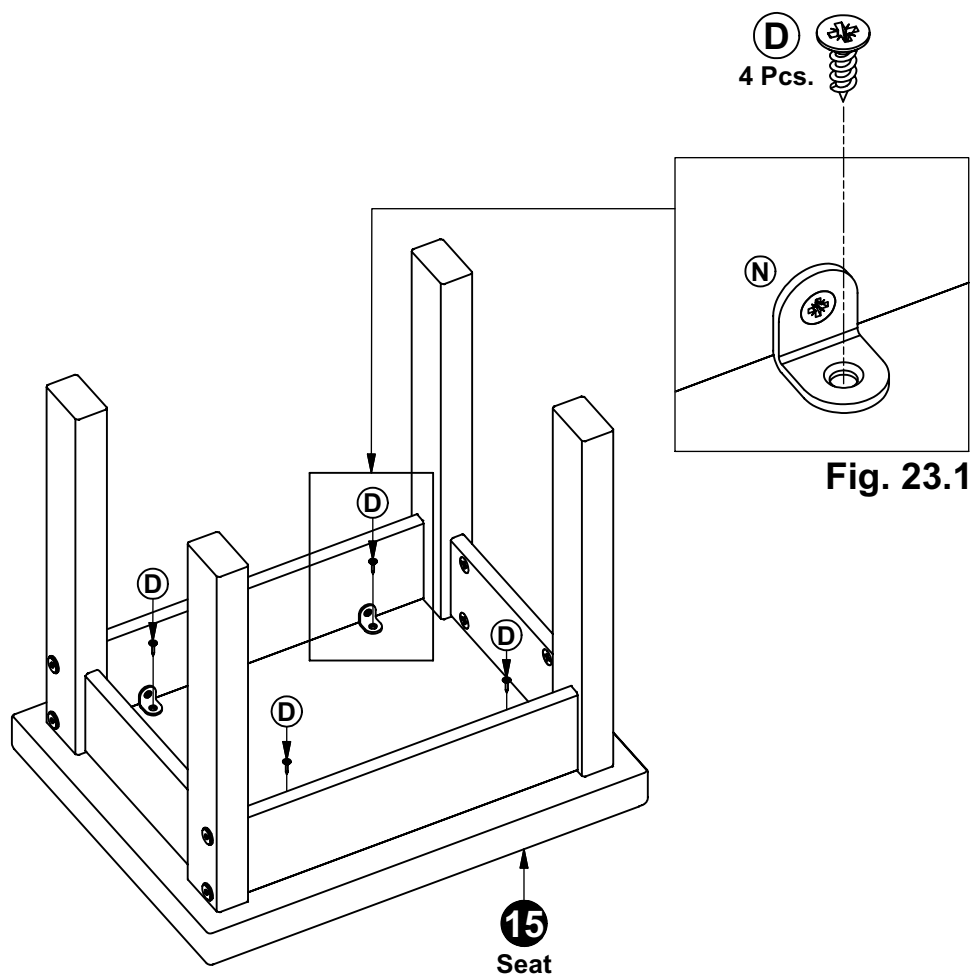
Fix the siderails using screws "L" and allen key "K" through the holes indicated.



23. Adding the seat to the stool.

Fix the side rails "14" onto the seat "15" using screws "D" through the angles.

See fig. 23.1



Dear Customer.

Please note that the product you have purchased is a natural living timber.

Just like nature itself, wood varies in shape and colour. Knots, vein patterns, resin pockets and colour differences contribute to giving the piece of furniture its beauty and form - a natural part of solid wood.

Although the tree has been cut down and dried, it is still alive and therefore will react to high and low temperatures, light, humidity, drought and time.

In cold and dry periods, the wood contracts which may lead to small cracks in the piece of furniture. The reverse happens in warm and humid periods where the wood expands and this may result in slight unevenness.

The colour of the wood also changes with time, particularly if the furniture is placed in a light place. This is a natural process and part of owning a piece of furniture made of solid wood.

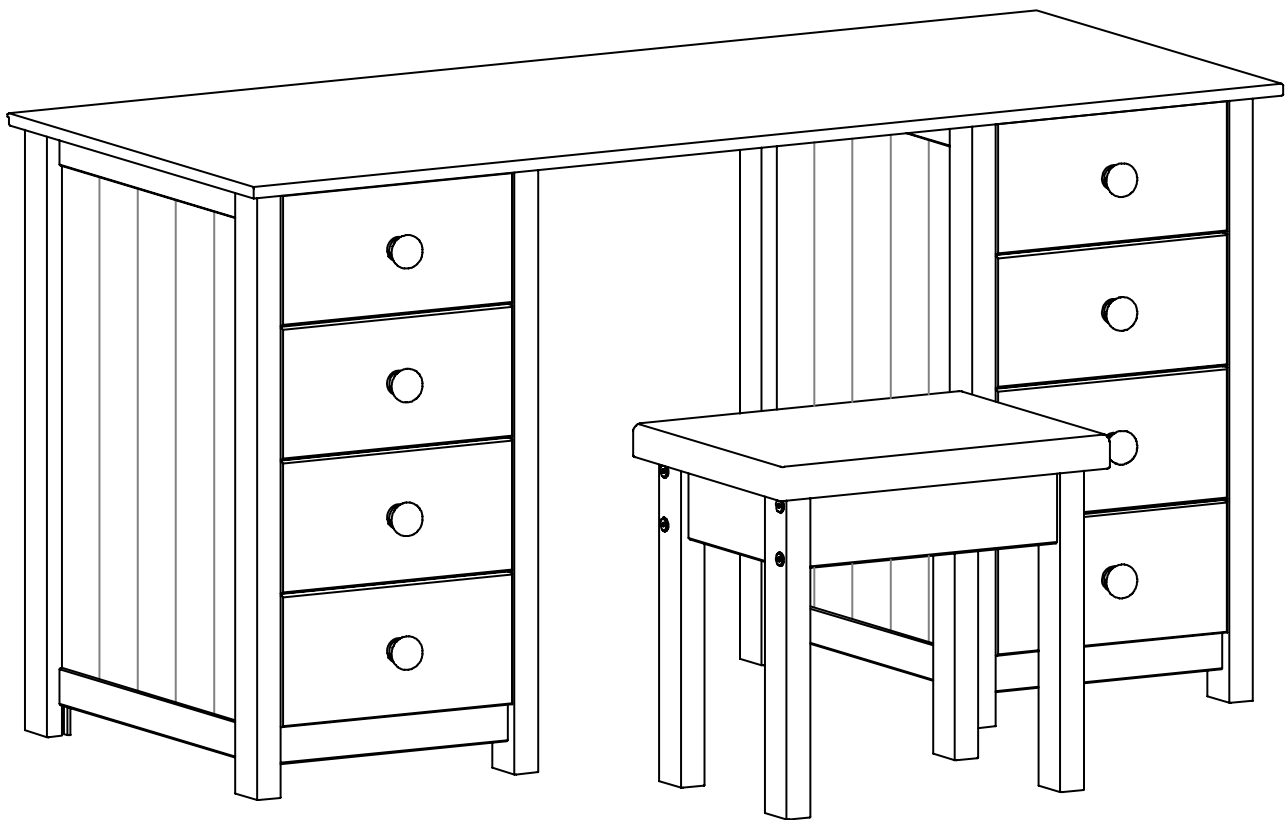
Any flexing that has occurred during transport will re-correct it self once this product is correctly assembled.

Tighten all joints of the furniture after six months. Please keep these instructions in a safe place for future use.

Scandinavia - Dressing table w. 8 Drws + stool

Assembly Instruction - Please keep for future reference

642/3746



Dimensions

Width - 140cm
Depth - 58cm
Height - 74cm

Important - Please read these instructions fully before starting assembly

If you need help or have damaged or missing parts, call the Customer Helpline: 08456 400800



Safety and Care Advice

Important - Please read these instructions fully before starting assembly

- Check you have all the components and tools listed on pages 2 and 3.

- Remove all fittings from the plastic bags and separate them into their groups.

- Keep children and animals away from the work area, small parts could choke if swallowed.

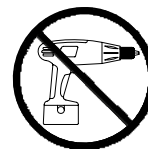
- Make sure you have enough space to layout the parts before starting.

- Do not stand on the product, this could cause damage.

- Assemble the item as close to its final position (in the same room) as possible.

- Assemble on a soft level surface to avoid damaging the unit or your floor.

- Parts of the assembly will be easier with 2 people.



- We do not recommend the use of power drill/drivers **for inserting screws**,

as this could damage the unit. Only use hand screwdrivers.

- Dispose of all packaging carefully and responsibly.

Care and maintenance

- Only clean using a damp cloth and mild detergent, do not use bleach or abrasive cleaners.

- From time to time check that there are no loose screws on this unit.

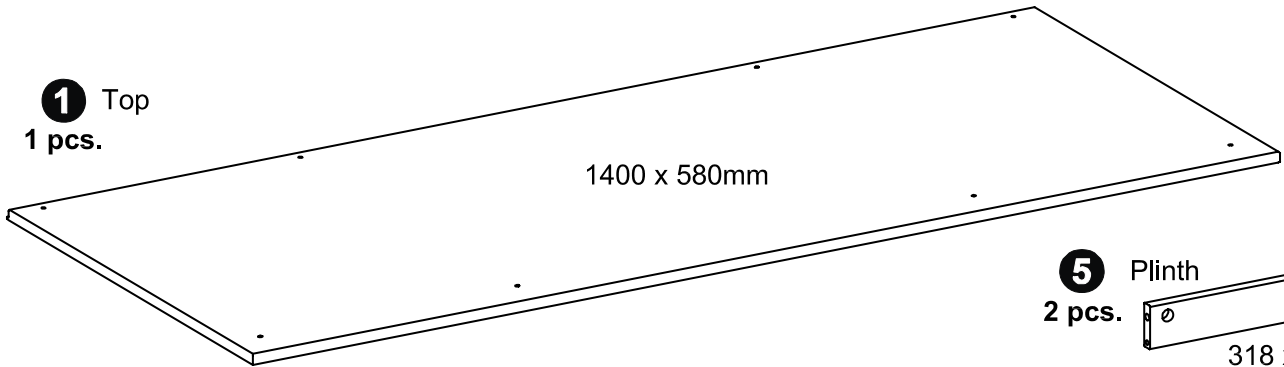
- This product should not be discarded with household waste. Take to your local authority waste disposal centre.

Note: if required the next page can be cut out and used as reference throughout the assembly. Keep this page with these instructions for future reference.

Components - Panels

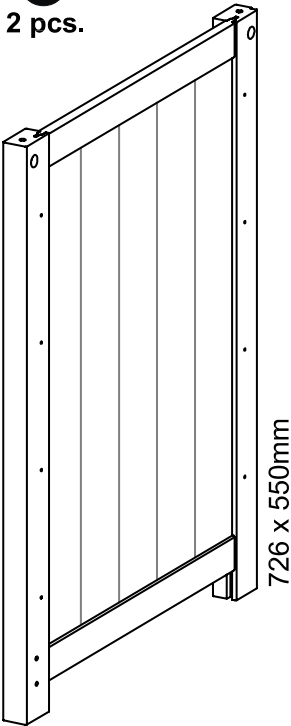
Please check you have all the fittings listed below

1 Top
1 pcs.

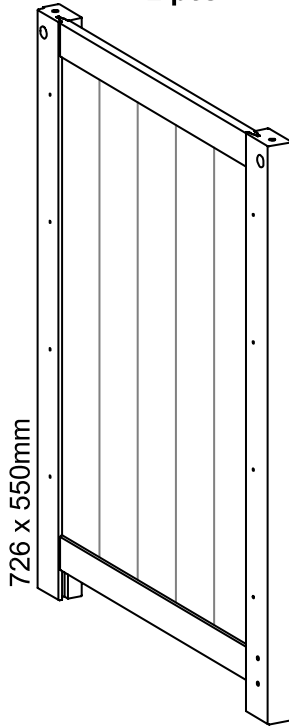


5 Plinth
2 pcs.
318 x 55mm

2 Side, left
2 pcs.



3 Side, right
2 pcs.



4 Drawer runner
16 pcs.
512 x 16mm

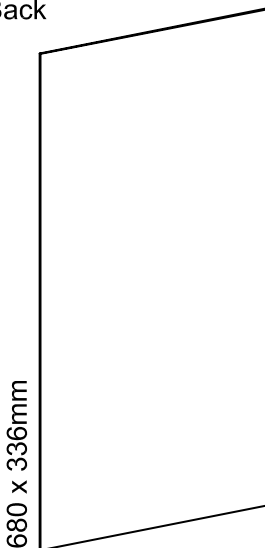
6 Drawer front
8 pcs.
314 x 157mm

7 Drawer back
8 pcs.
286 x 90mm

8 Drawer side, left
8 pcs.
442 x 107mm

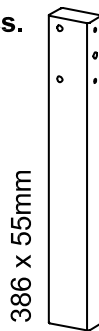
9 Drawer side, right
8 pcs.
442 x 107mm

11 Back
2 pcs.

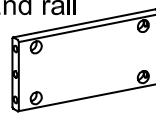


10 Drawer bottom
8 pcs.
439 x 297mm

12 Stool leg
4 pcs.
386 x 55mm



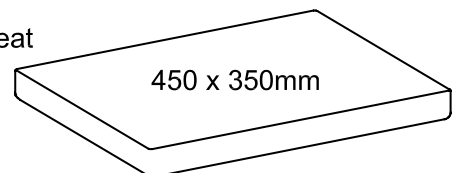
13 End rail
2 pcs.
194 x 90mm



14 Side rail
2 pcs.
340 x 90mm



15 Seat
1 pcs.
450 x 350mm

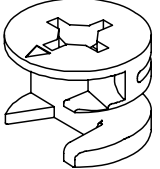

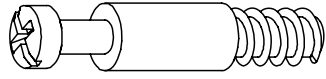

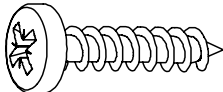

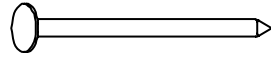
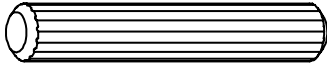
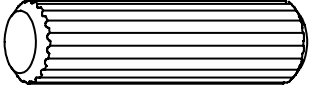
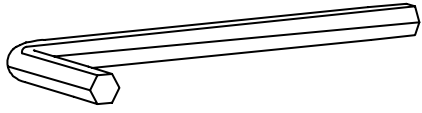
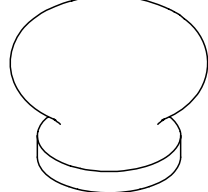

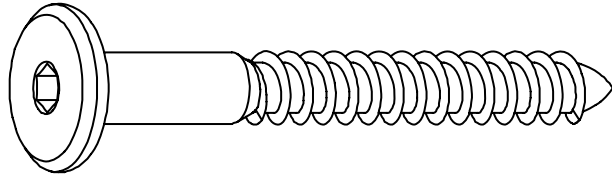


Components - Fittings

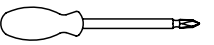
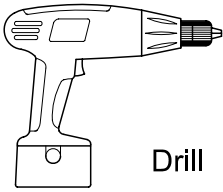

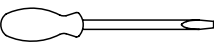

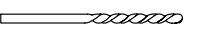

If you have damaged or missing components, call the **Customer Helpline: 08456 400800**

Please check you have all the fittings listed below

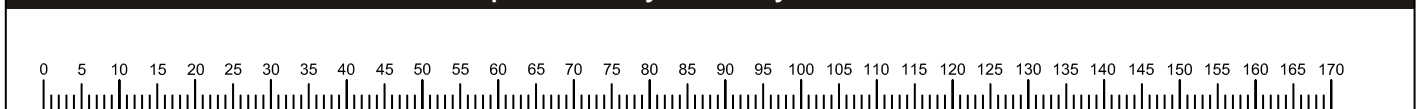
Note: The quantities below are correct amount to complete the assembly. In some cases more fittings may be supplied than are required.

<p>A 20 pcs.</p>  <p>Cam - ø15 x 12mm</p>	<p>B 32 pcs.</p>  <p>Cam - ø12 x 10,5mm</p>	<p>C 52 pcs. Locking pin</p>  <p>ø6,5 x 24/9mm</p>
<p>D 8 pcs. Screw - ø3,5 x 12mm</p> 	<p>E 32 pcs. Screw - ø4 x 20mm</p> 	<p>F 40 pcs. Screw - ø3,5 x 35mm</p> 
<p>G 30 pcs. Nail - 1,2 x 20mm</p> 	<p>H 4 pcs. Dowel - ø6 x 30mm</p> 	<p>I 4 pcs. Dowel - ø8 x 30mm</p> 
<p>J 1 pcs. Allen key - 4mm</p> 	<p>K 8 pcs.</p> <p>Knob ø40 x 30mm</p> 	<p>L 4 pcs.</p> <p>Angle 16x20x20mm</p> 
<p>M 8 pcs. Screw - ø7 x 60mm</p> 		

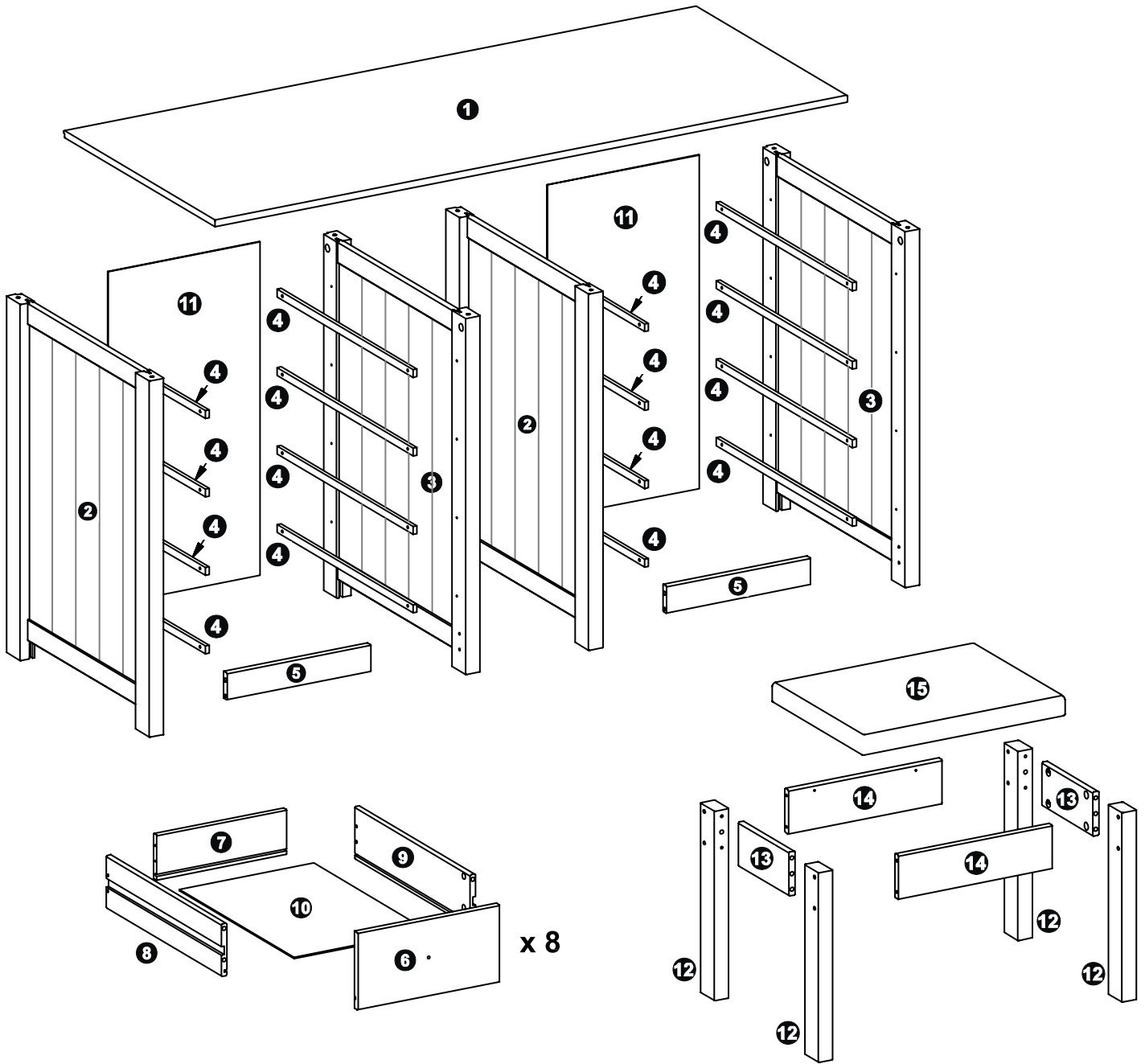
Tools required

	<p>Philips screwdriver (medium & large)</p>	 <p>Drill</p>	 <p>Small hammer</p>
	<p>Flatblade screwdriver (medium)</p>		 <p>Ruler/tape measure</p>
	<p>7mm Suitable drill bit (for use with wall plug)</p>		 <p>Eye protection (when using a hammer or glue)</p>

Ruler - Use this ruler to help correctly identify the screws

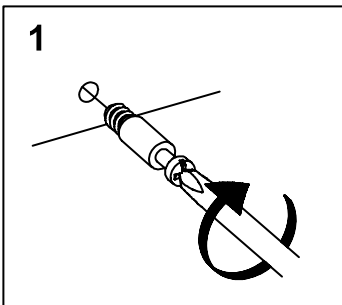


Key Diagram.

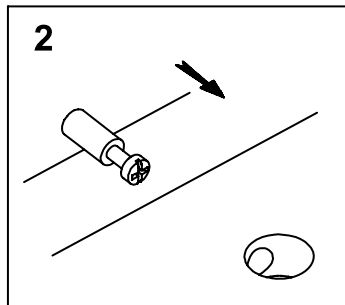


Function of cam & locking pin.

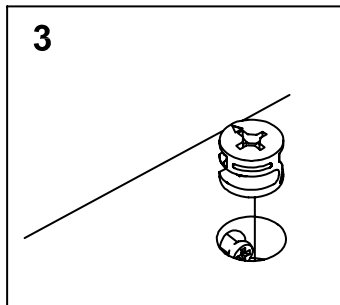
Step 1:
Fix the locking pin to the wooden panel.



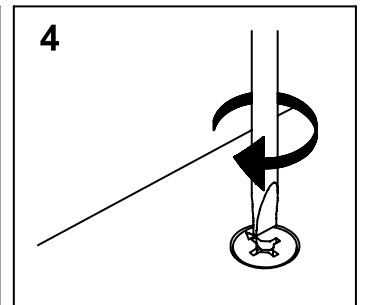
Step 2:
Push the wooden panel with the attached locking pin onto the other wooden panel.



Step 3:
Place the cam into the hole, arrow pointing towards the locking pin.



Step 4:
Tighten: Turn the cam to the right.



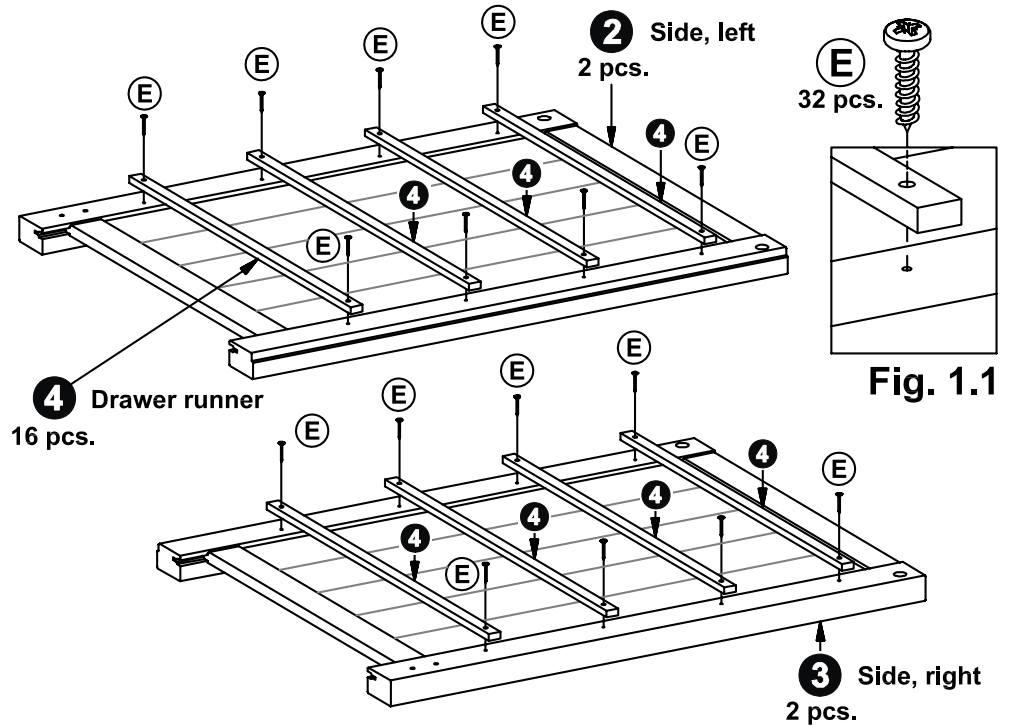
Assembly instructions

Assembly of dressing table

1. Fixing the drawer runners to the sides.

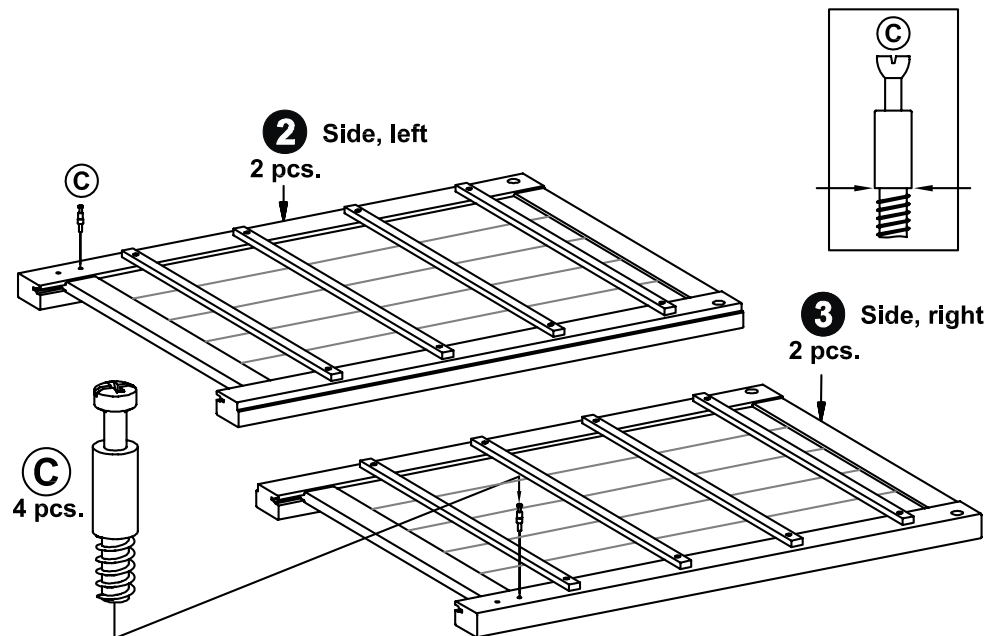
Fix the wood runners "4" to the sides "2" and "3", using screws "E".

Screw the screw in until the screw head is sunk and flush with the wood.



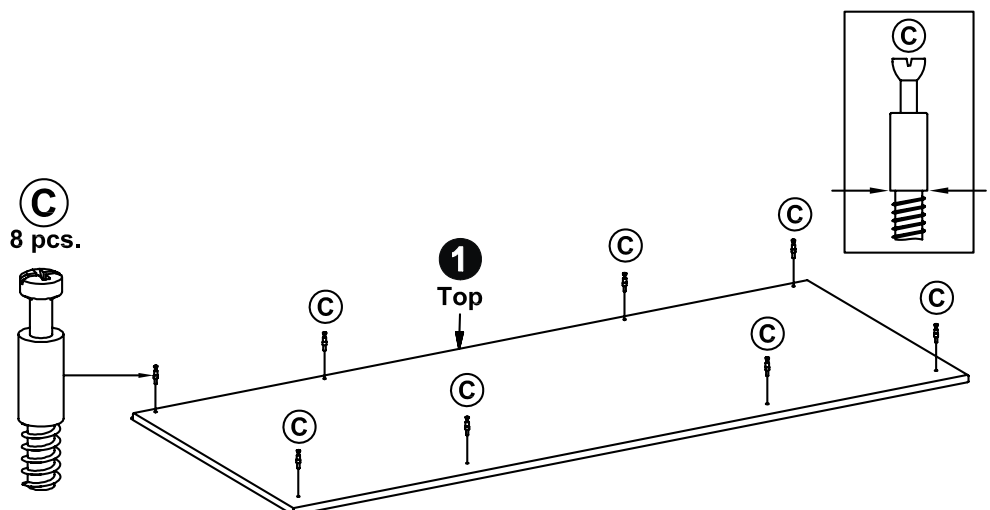
2. Mounting the locking pins to the sides.

Screw the locking pins "C" into the holes indicated on the sides "2" and "3".



3. Mounting the locking pins to the top.

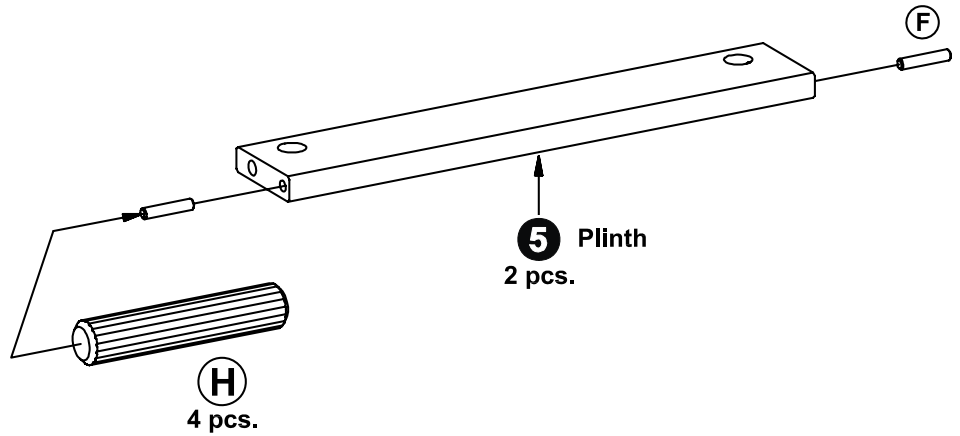
Screw the locking pins "C" into the holes indicated on the top "1".



Assembly instructions

4. Inserting the dowels to the plinth.

Knock the dowels "H" into the holes indicated on the plinths "5".



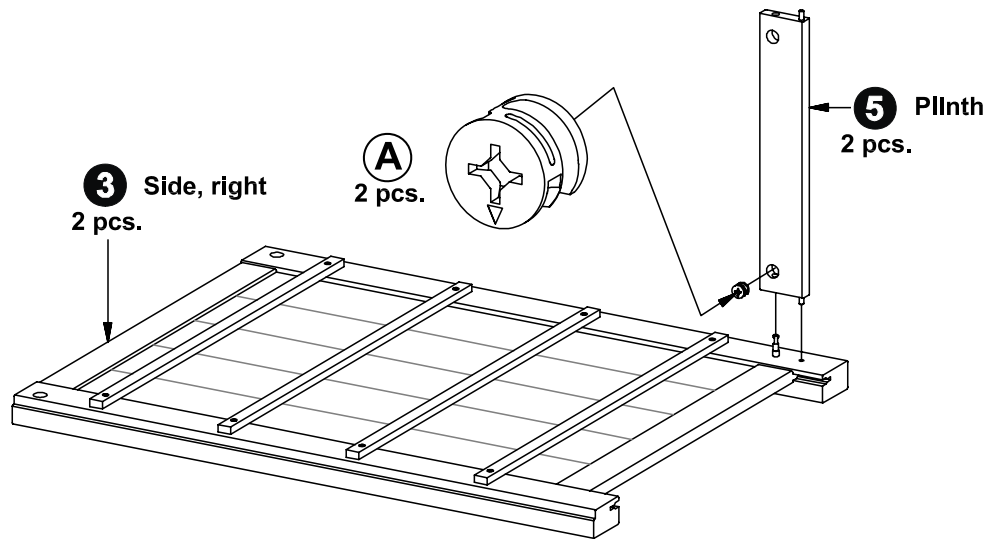
5. Mounting the plinth to the right hand side.

Press the plinths "5" onto the right hand side "3".

See page 5 "Function of cam and locking pin".

Place the cams "A" into the hole indicated, arrow pointing towards the side / locking pins.

Tighten:
Turn the cam to the right.



6. Adding the right hand side to the top.

After fixing "5" to "3", lower the right hand sides "3" onto the top "1".

DON'T fix the sides to the top until fig. 8. See page 8.

Fig. 6.1

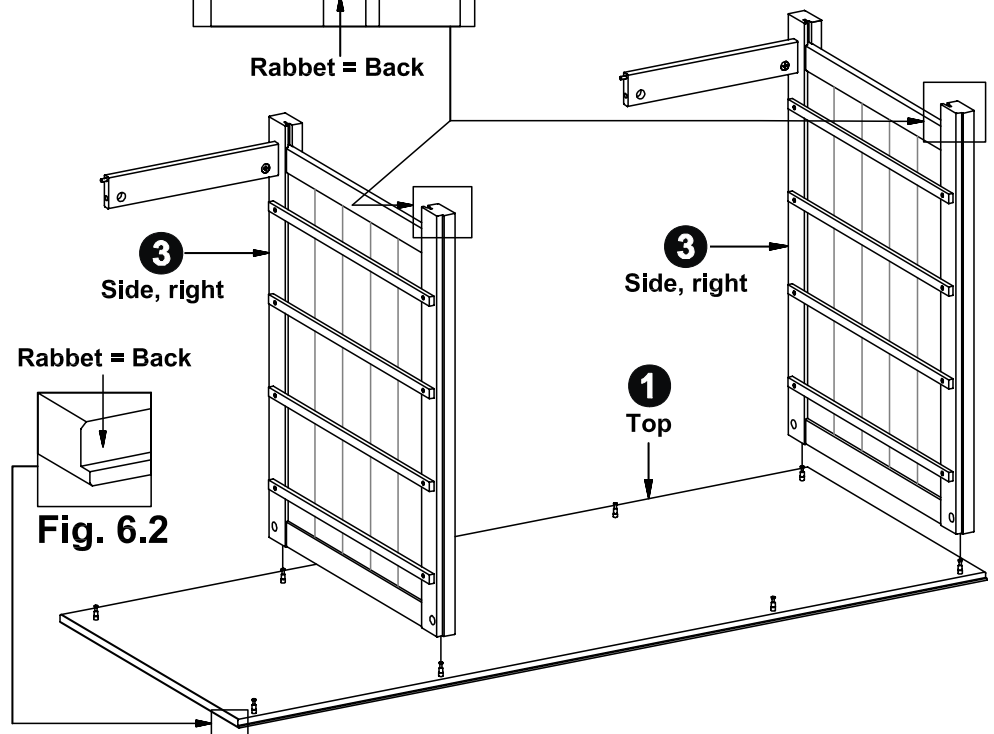
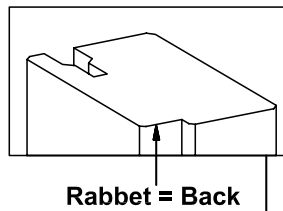


Fig. 6.2

Assembly instructions

7. Mounting the left hand side to the plinth.

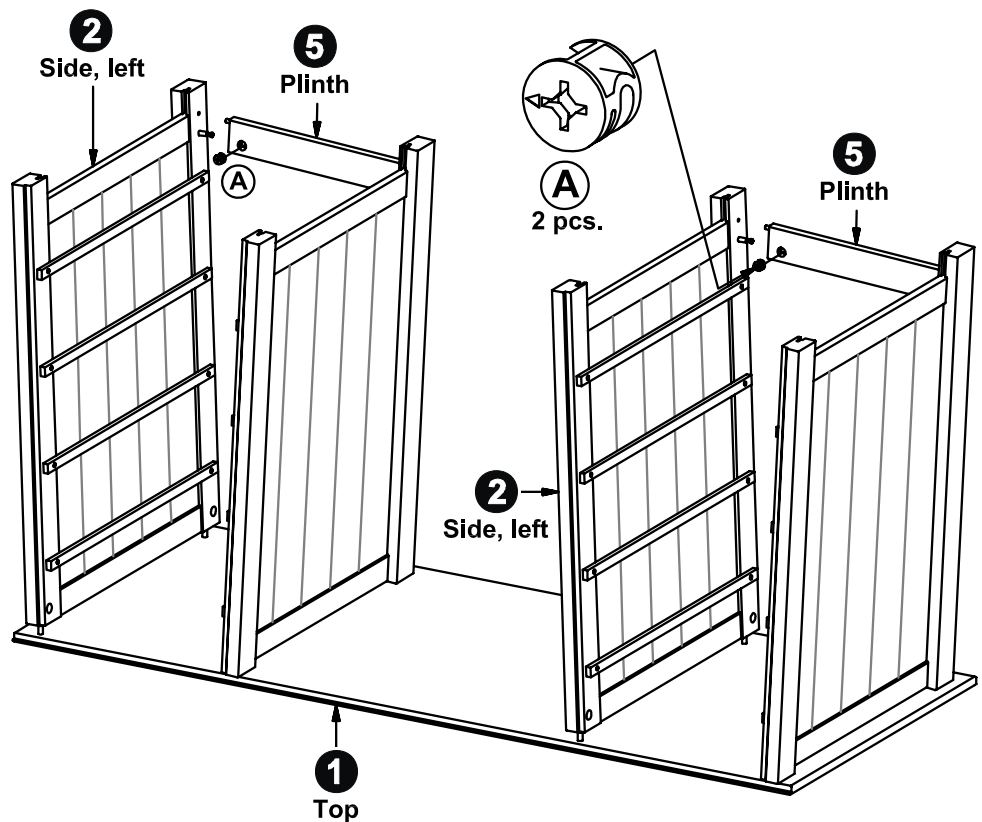
Lower the left hand sides "2" onto the top "1".

Press the sides onto the plinths "5".

See page 5 "Function of cam and locking pin".

Place the cams "A" into the hole indicated, arrow pointing towards the side / locking pins.

Tighten:
Turn the cam to the right.



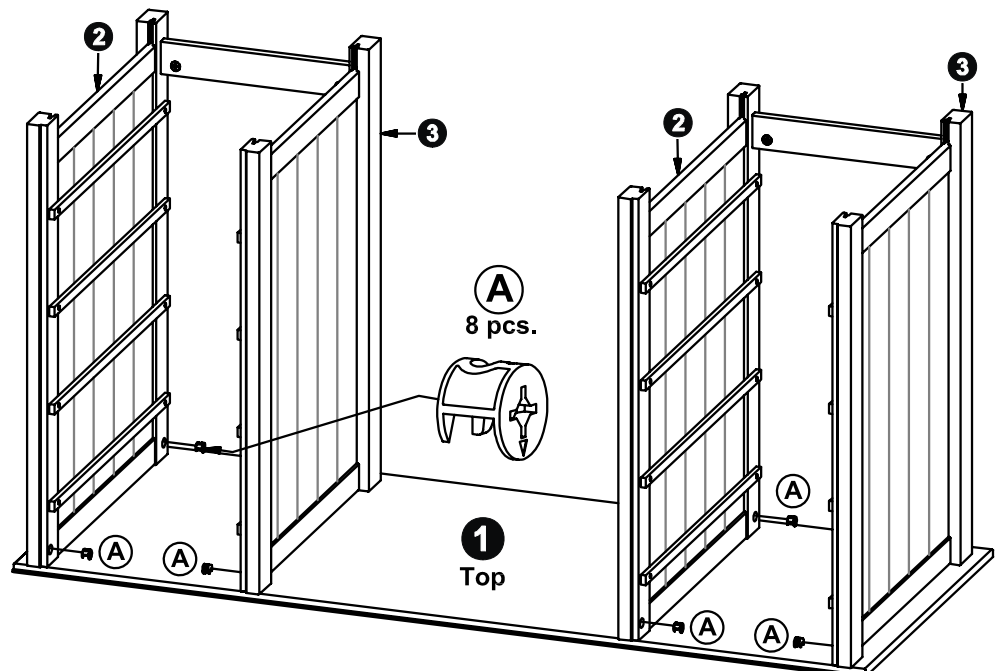
8. Attach sides to the top.

Fix the side "2" and "3" onto the top "1".

See page 5 "Function of cam and locking pin".

Place the cams "A" into the hole indicated, arrows pointing towards the side / locking pins.

Tighten:
Turn the cams to the right.



Assembly instructions

9. Nailing the back to the top and sides.

Place the back into the rabbet of the top "1" and the side "3". See fig. 9.1

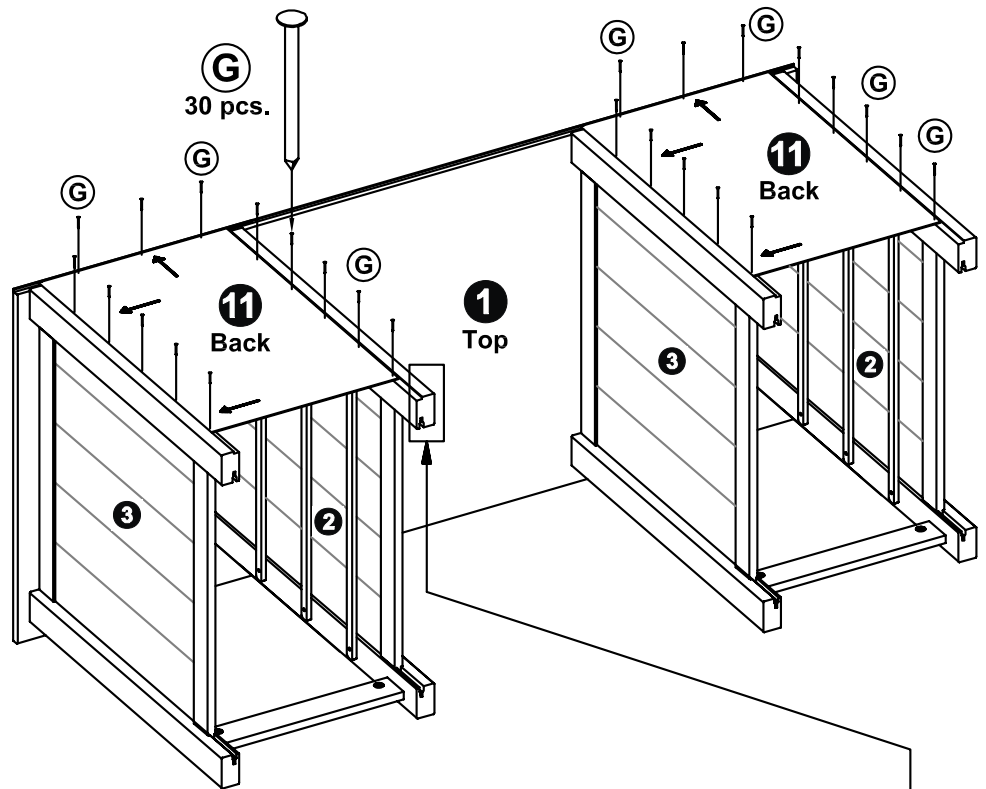
Ensure that there is NO GAP between the right hand side "3" and the back "11", NOR between the top and the back.

Fasten the back with nails "G" along the top.

The angle between the top and the side must be 90 degrees.
Fig. 9.1

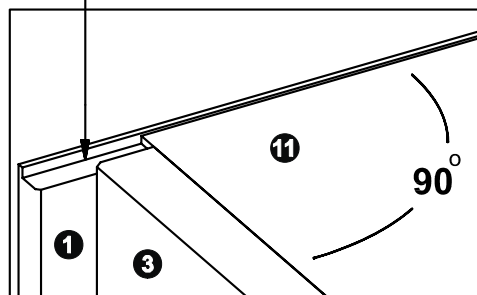
To accomplish this, ensure that there is NO GAP between the right hand side "3" and the back "11".

Fasten the back with nails "G" along the sides.



Rabbet = Back

Fig. 9.1



Rabbet = Back

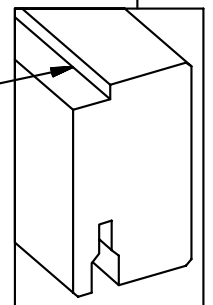
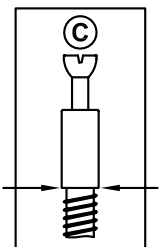
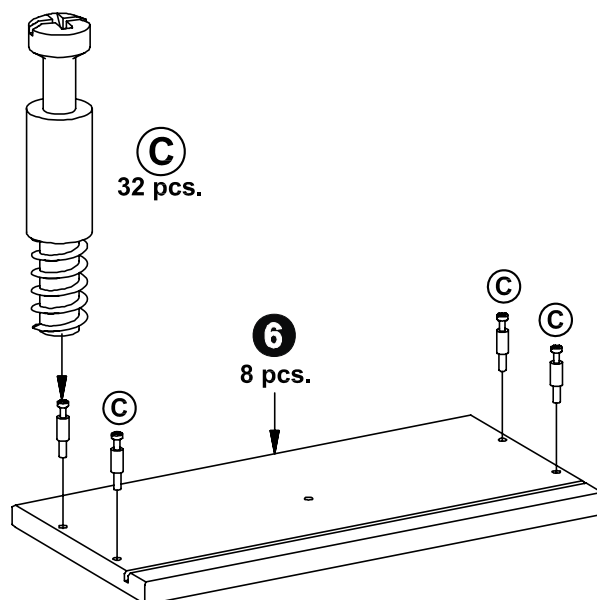


Fig. 9.2

10. Mounting the locking pins to the drawer front.

Screw the locking pins "C" into the holes indicated on the drawer front "6".



Assembly instructions

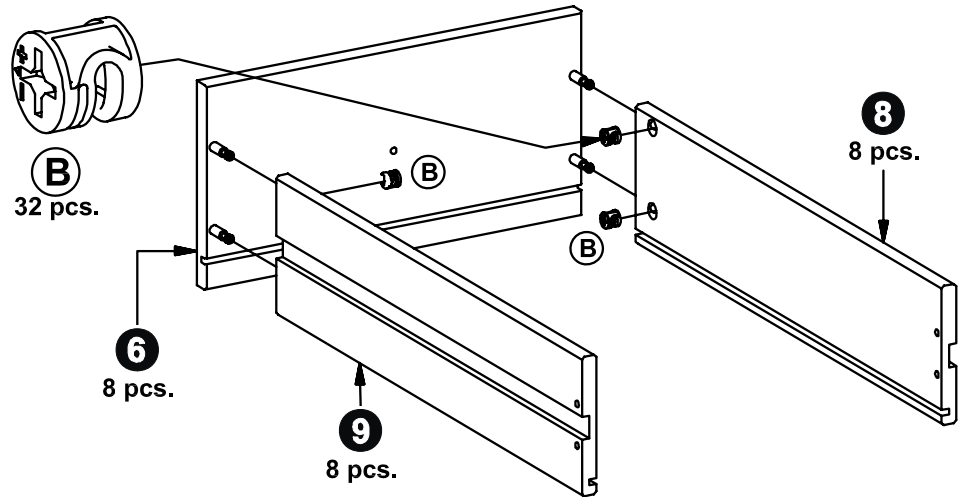
11. Mounting the drawer sides to the drawer front.

Press the drawer sides "8" and "9" onto the drawer front "6".

Place the cams "B" into the holes indicated, arrows pointing towards the drawer front / locking pins.

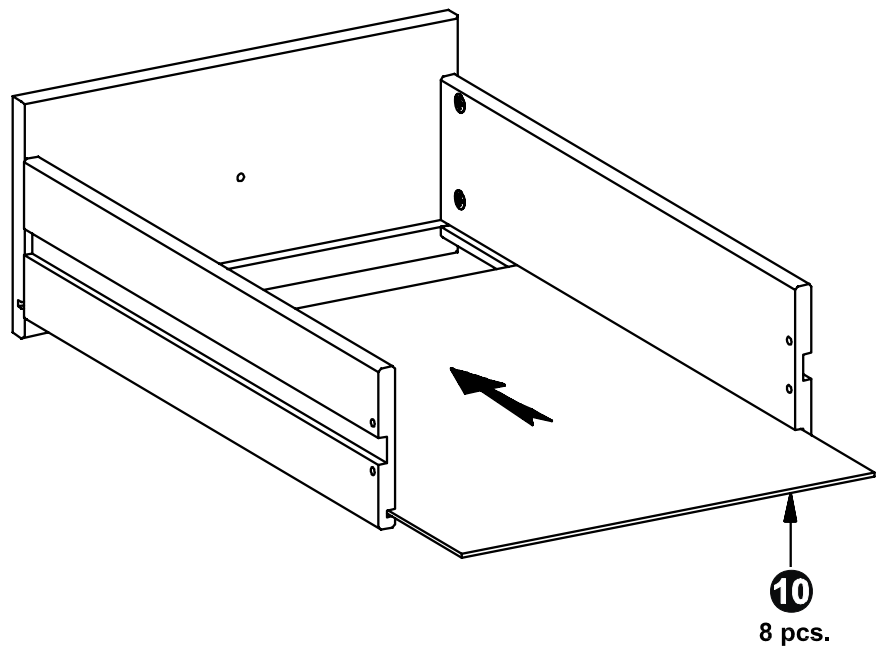
Tighten:
Turn the cam to the right.

"Function of cam and locking pin" see page 5.



12. Sliding the drawer bottom into the drawer front.

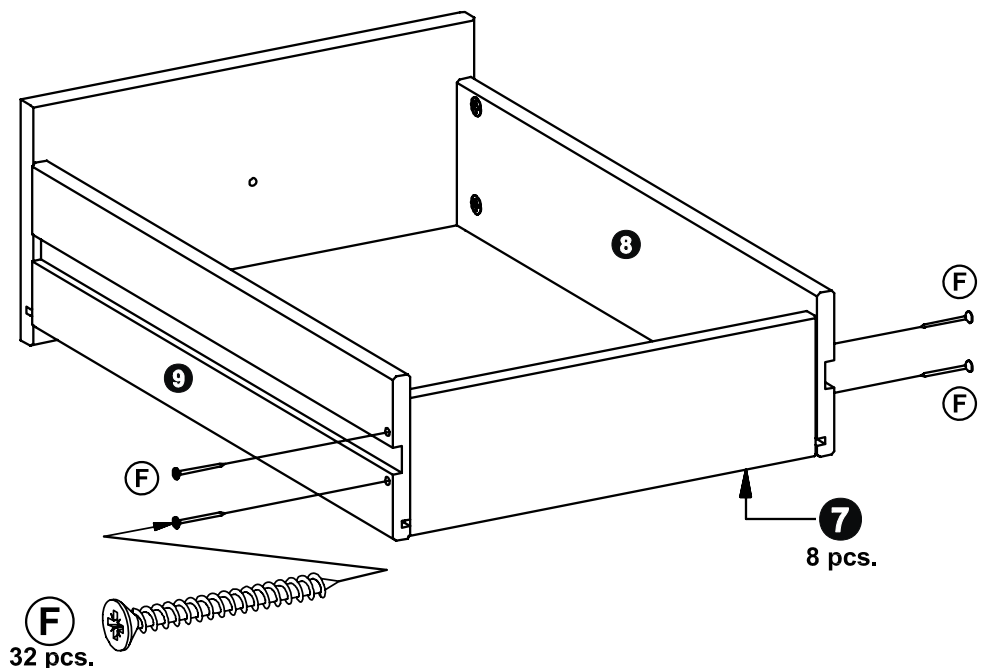
Slide the drawer bottom "13" into the grooves of the drawer frame.



13. Mounting the drawer back to the drawer frame.

Place the drawer back "7" in between the drawer sides "8" and "9".

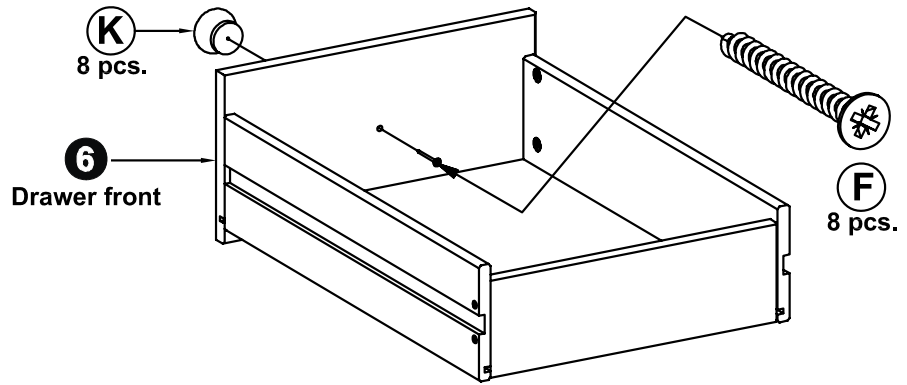
Fix the drawer back using screw "F" into the holes indicated.



Assembly instructions

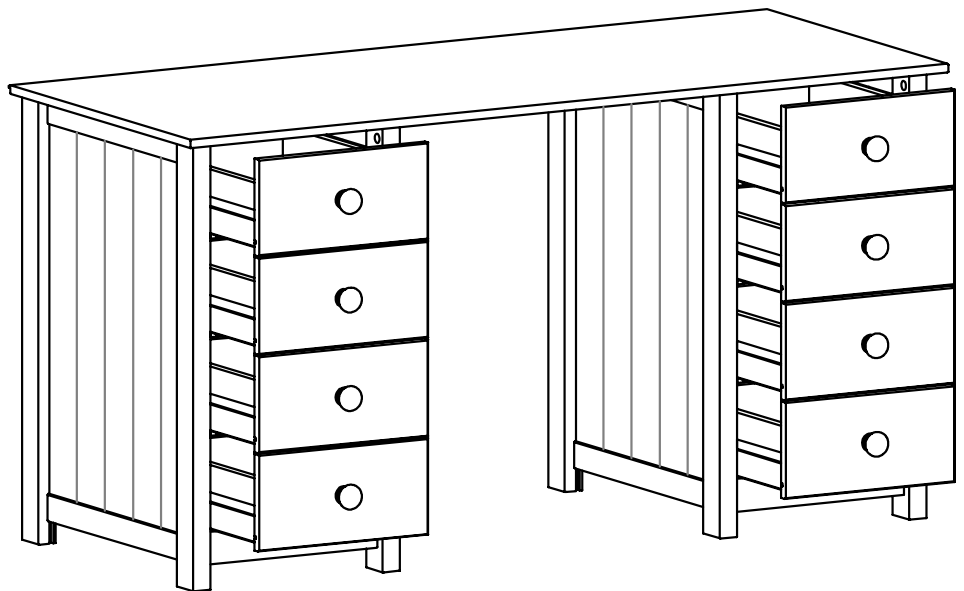
14. Mounting the knobs to the drawer front.

Fix the knob "K" to the drawer front using screws "F".



15. Adding the drawers to the table.

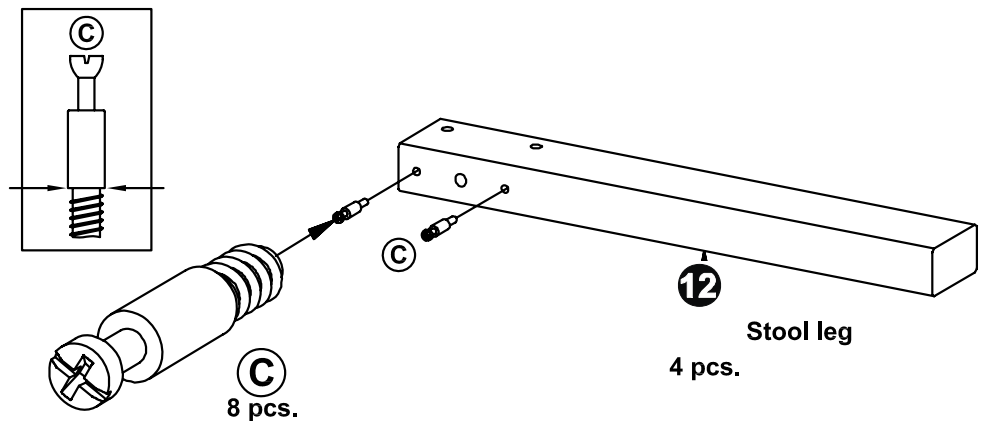
Slide the drawers onto the drawer runners.



Assembly of dressing stool

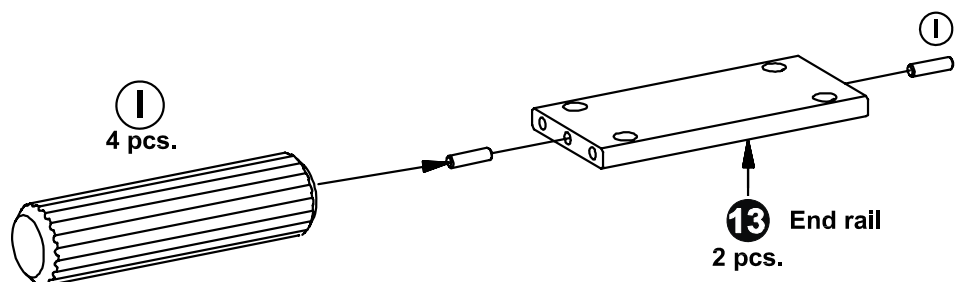
16. Mounting the locking pin to the stool legs.

Screw the locking pins "C" into the holes indicated on the stool legs "12".



17. Inserting the dowels to the end rail.

Knock the dowels "I" into the holes indicated on the end rails "13".



Assembly instructions

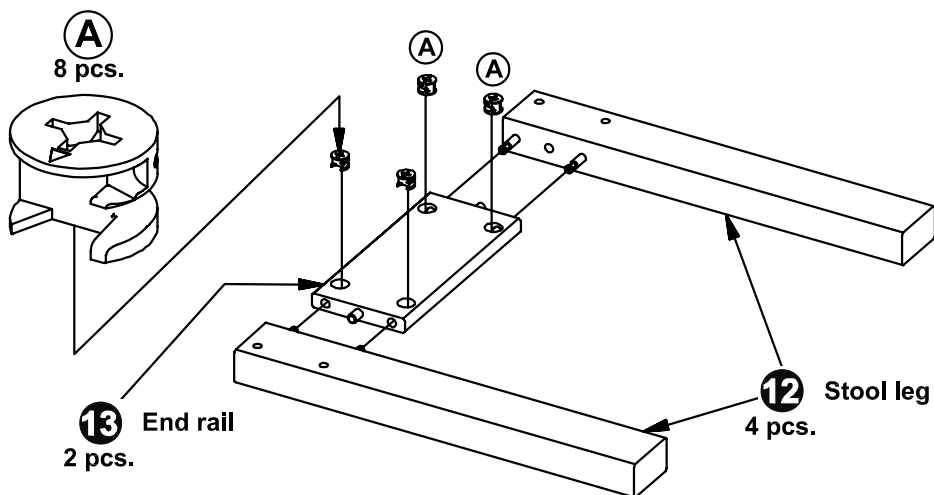
18. Mounting the stool legs to the end rails.

Press the stool legs "12" onto the end rail "13".

See page 5 "Function of cam and locking pin".

Place the cams "B" into the holes indicated, arrows pointing towards the locking pins.

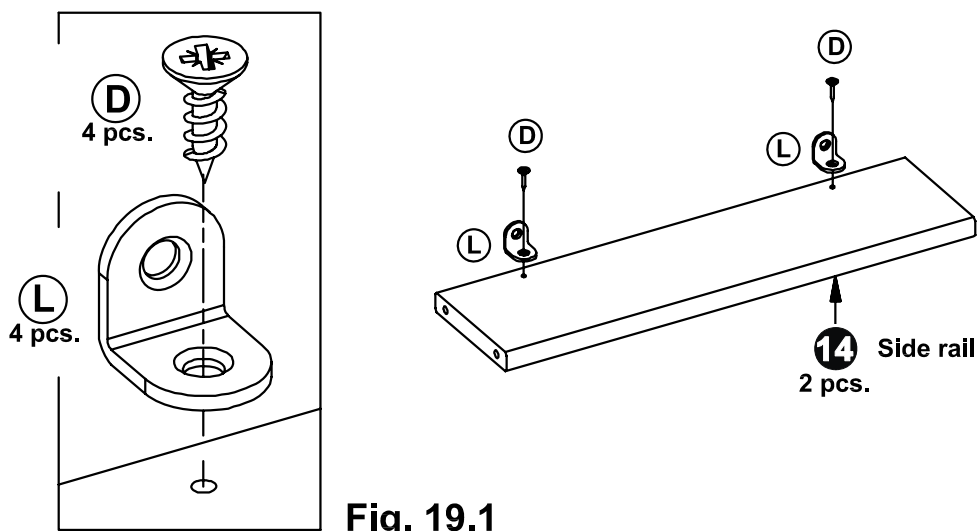
Tighten:
Turn the cam to the right.



19. Fixing the angles onto the side rails.

Fix the angle "L" onto the side rails "14" using screws "D" into the pre-drilled holes.

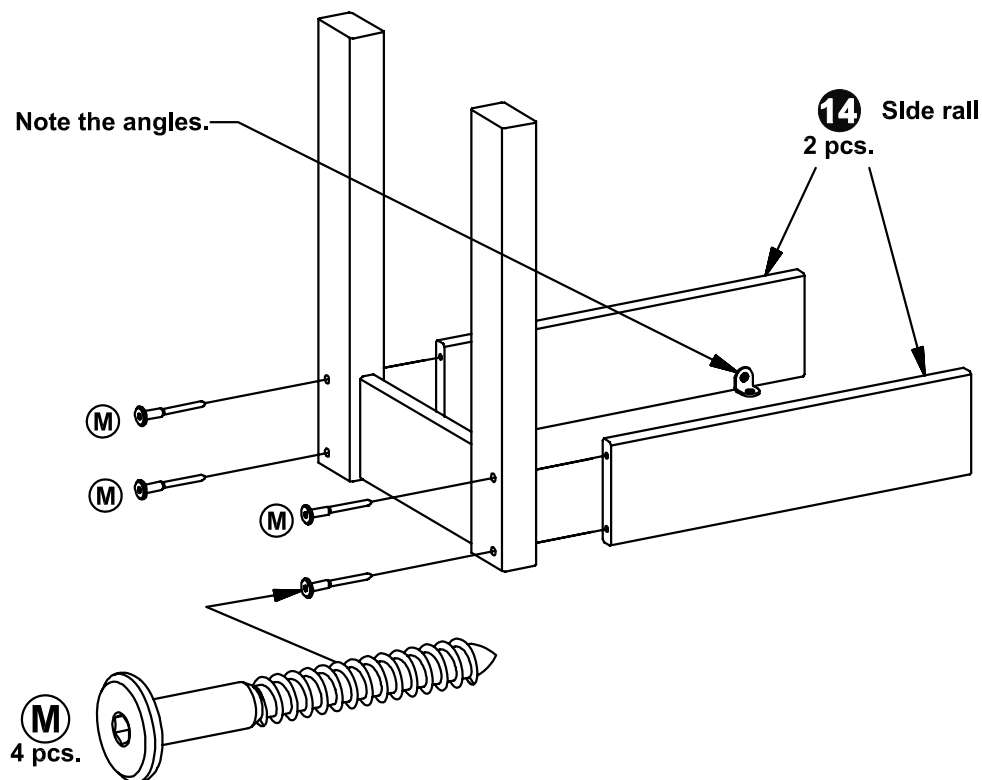
The angles must be turned exactly as shown.



20. Mounting the side rails onto the stool legs - 1.

Press the side rails "14" onto the stool legs "12". Note the angles.

Fix the side rails using screws "M" and allen key "J" through the holes indicated.

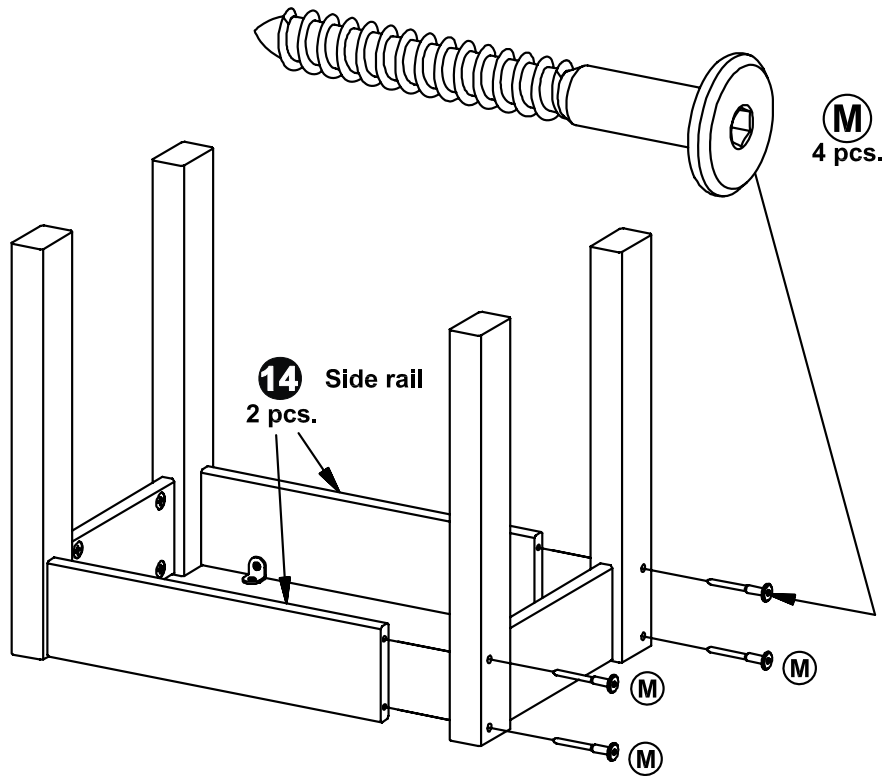


Assembly instructions

21. Mounting the side rails onto the stool legs - 2.

Press the stool legs "12" onto the side rails "14".

Fix the side rails using screws "M" and allen key "J" through the holes indicated.



22. Adding the seat to the stool.

Fix the side rails "14" onto the seat "15" using screws "D" through the angles.

See fig. 22.1

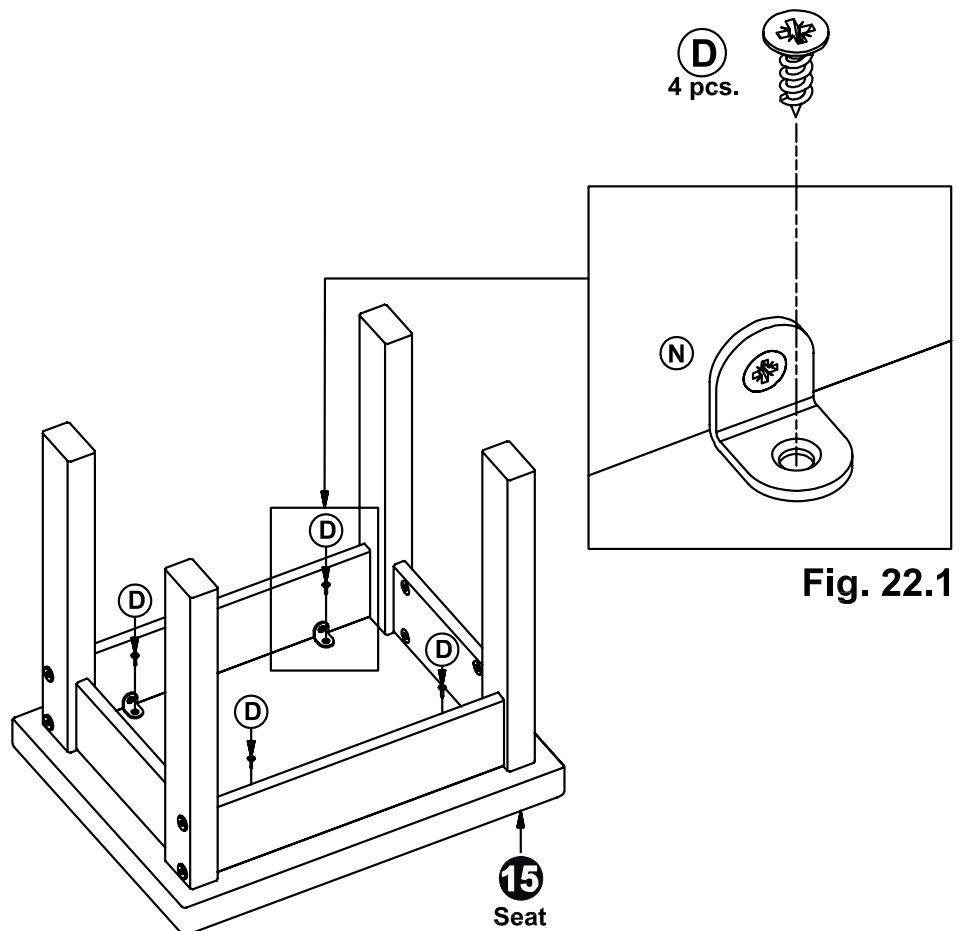


Fig. 22.1

If you need help or have damaged or missing parts, call the Customer Helpline: 08456 400800

Dear Customer.

Please note that the product you have purchased is a natural living timber.

Just like nature itself, wood varies in shape and colour. Knots, vein patterns, resin pockets and colour differences contribute to giving the piece of furniture its beauty and form - a natural part of solid wood.

Although the tree has been cut down and dried, it is still alive and therefore will react to high and low temperatures, light, humidity, drought and time.

In cold and dry periods, the wood contracts which may lead to small cracks in the piece of furniture. The reverse happens in warm and humid periods where the wood expands and this may result in slight unevenness.

The colour of the wood also changes with time, particularly if the furniture is placed in a light place. This is a natural process and part of owning a piece of furniture made of solid wood.

Any flexing that has occurred during transport will re-correct itself once this product is correctly assembled.

Tighten all joints of the furniture after six months.

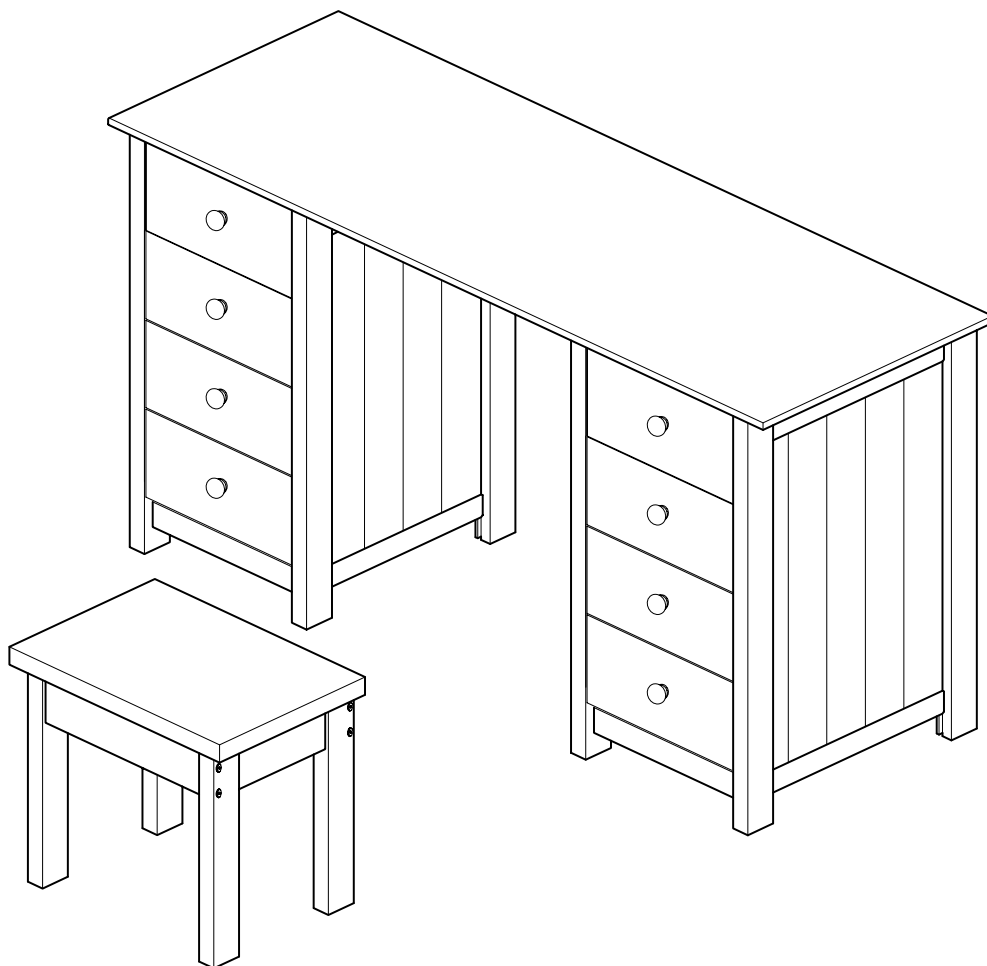
Please keep these instructions in a safe place for future use.

Scandinavia - Dressing Table w. 8 Drws + Stool

Assembly Instructions - Please keep for future reference

642/3746

643/6908



Dimensions

Width - 140cm
Depth - 58cm
Height - 74cm

Important - Please read these instructions fully before starting assembly

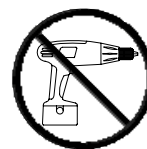
If you need help or have damaged or missing parts, call the **Customer Helpline: 08456 400800**



Safety and Care Advice

Important - Please read these instructions fully before starting assembly

- Check you have all the components and tools listed on pages 2 and 3.
- Remove all fittings from the plastic bags and separate them into their groups.
- Keep children and animals away from the work area, small parts could choke if swallowed.
- Make sure you have enough space to layout the parts before starting.
- Do not stand on the product, this could cause damage.
- Assemble the item as close to its final position (in the same room) as possible.
- Assemble on a soft level surface to avoid damaging the unit or your floor.
- Parts of the assembly will be easier with 2 people.
- We do not recommend the use of power drill/drivers **for inserting screws**, as this could damage the unit. Only use hand screwdrivers.
- Dispose of all packaging carefully and responsibly.
- The maximum safe weight of user: 110kg.



Care and maintenance

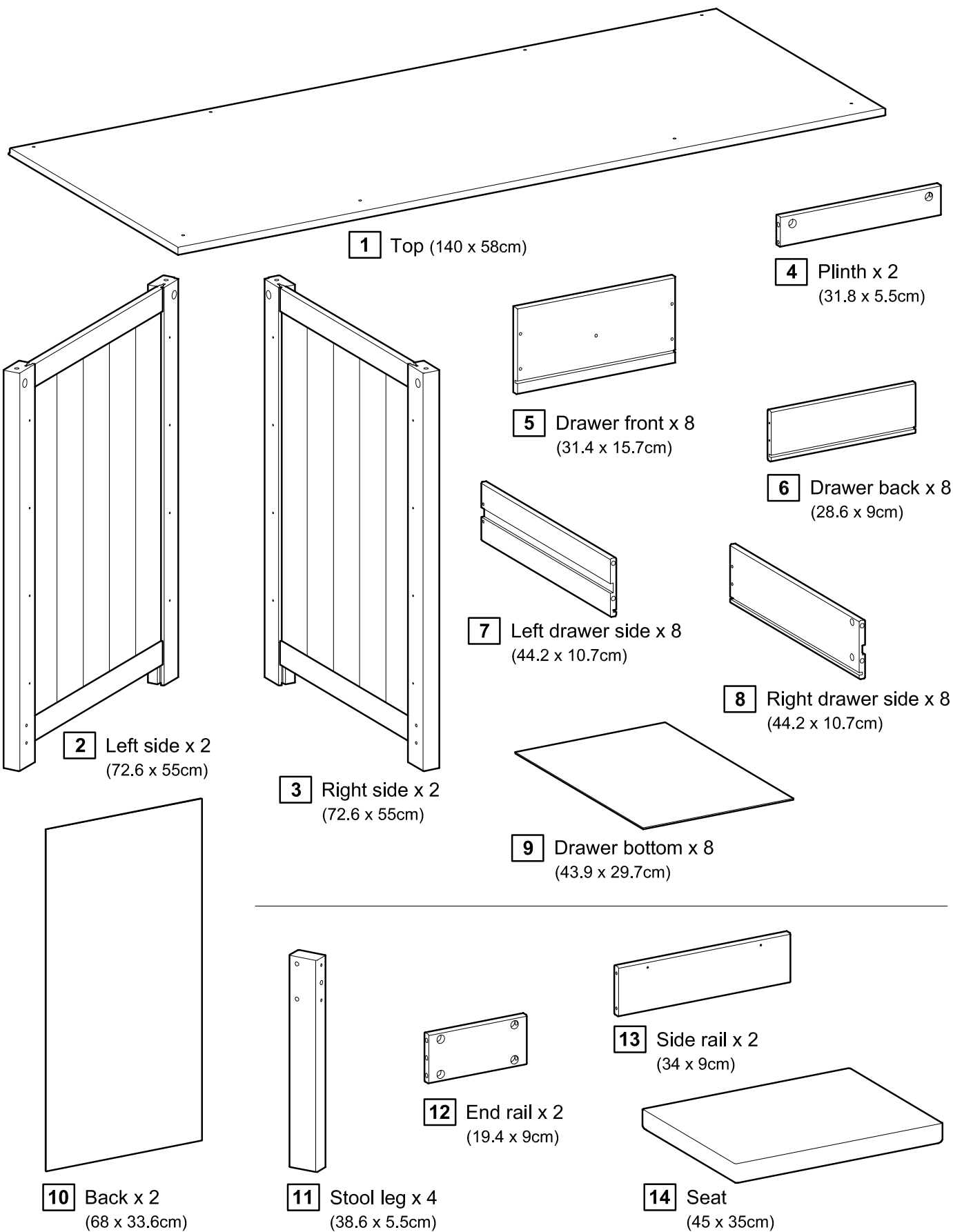
- Only clean using a damp cloth and mild detergent, do not use bleach or abrasive cleaners.
- From time to time check that there are no loose screws on this unit.
- This product should not be discarded with household waste. Take to your local authority waste disposal centre.

Note: if required the next page can be cut out and used as reference throughout the assembly. Keep this page with these instructions for future reference.

Components - Panels

If you have damaged or missing components, call the **Customer Helpline: 08456 400800**

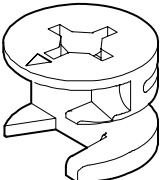
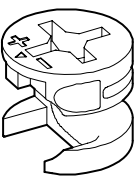
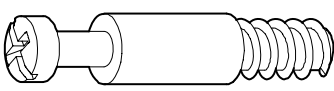
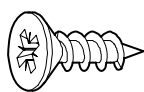
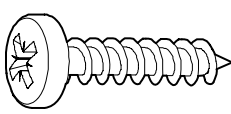
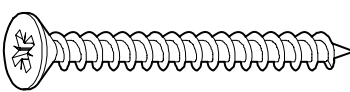
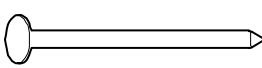
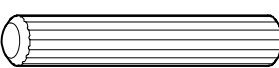
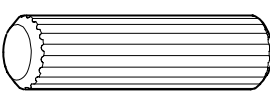
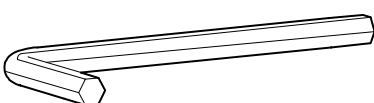
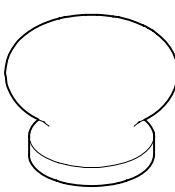
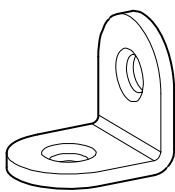
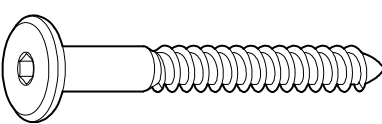
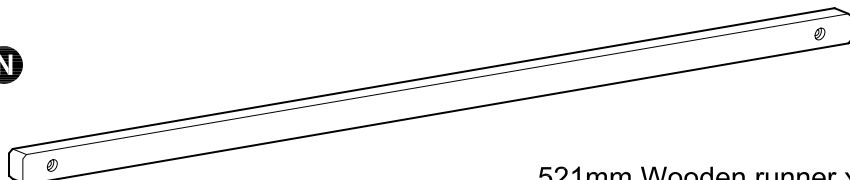
Please check you have all the panels listed below



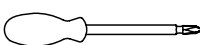
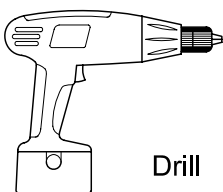

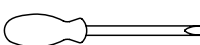

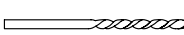
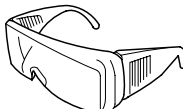
Components - Fittings

Please check you have all the fittings listed below

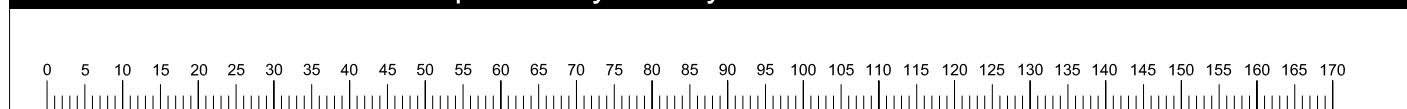
Note: The quantities below are correct amount to complete the assembly. In some cases more fittings may be supplied than are required.

<p>A</p>  <p>Large cam x 20</p>	<p>B</p>  <p>Small cam x 32</p>	<p>C</p>  <p>Locking pin x 52</p>
<p>D</p>  <p>12mm Screw x 8</p>	<p>E</p>  <p>20mm Screw x 32</p>	<p>F</p>  <p>35mm Screw x 40</p>
<p>G</p>  <p>16mm Nail x 30</p>	<p>H</p>  <p>30mm Dowel x 4</p>	<p>I</p>  <p>30mm Dowel x 4</p>
<p>J</p>  <p>Allen key x 1</p>	<p>K</p>  <p>Knob x 8</p>	<p>L</p>  <p>Angle x 4</p>
<p>M</p>  <p>60mm Screw x 8</p>	<p>N</p>  <p>521mm Wooden runner x 16</p>	

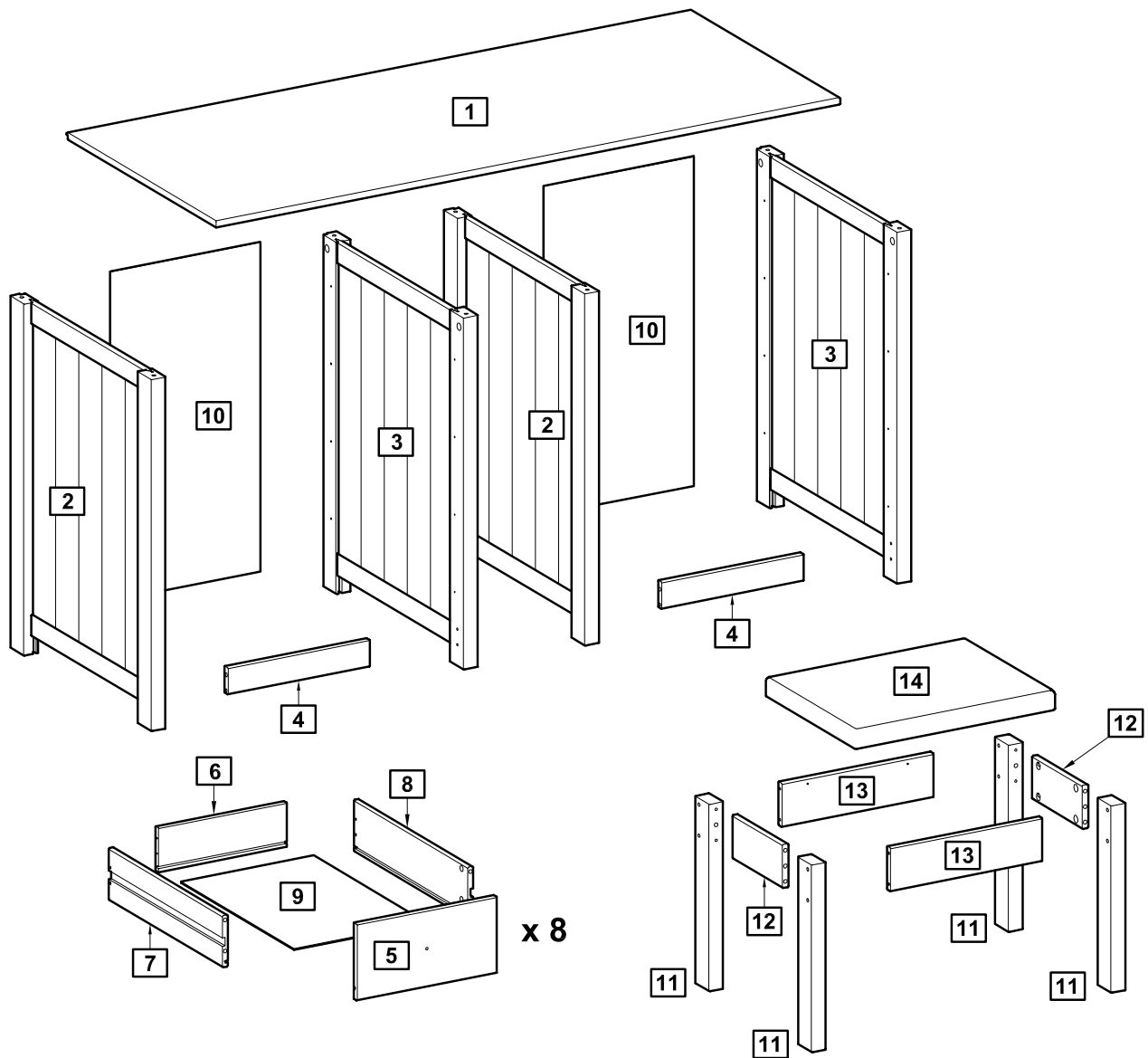
Tools required

	<p>Philips screwdriver (medium & large)</p>	 <p>Drill</p>	 <p>Small hammer</p>
	<p>Flatblade screwdriver (medium)</p>		 <p>Ruler/tape measure</p>
	<p>Suitable drill bit (for use with wall plug)</p>		 <p>Eye protection (when using a hammer or glue)</p>

Ruler - Use this ruler to help correctly identify the screws



Components - Key Diagram



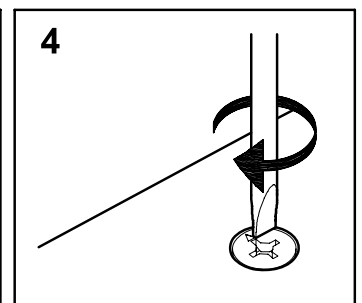
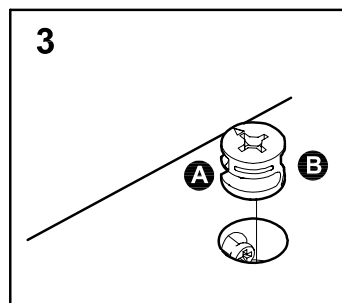
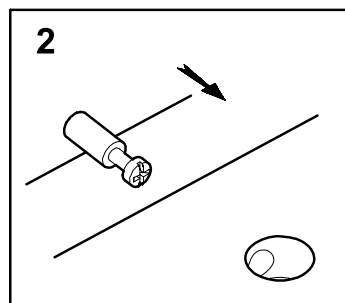
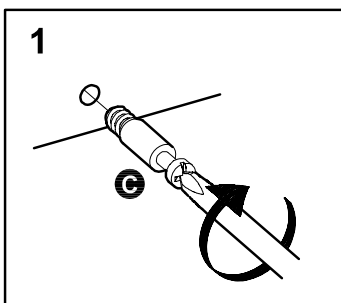
Function of Cam and Locking Pin

Step 1:
Fix the locking pin to the wooden panel.

Step 2:
Push the wooden panel with the attached locking pin onto the other wooden panel.

Step 3:
Place the cam into the hole, arrow pointing towards the locking pin.

Step 4:
Tighten: Turn the cam to the right.



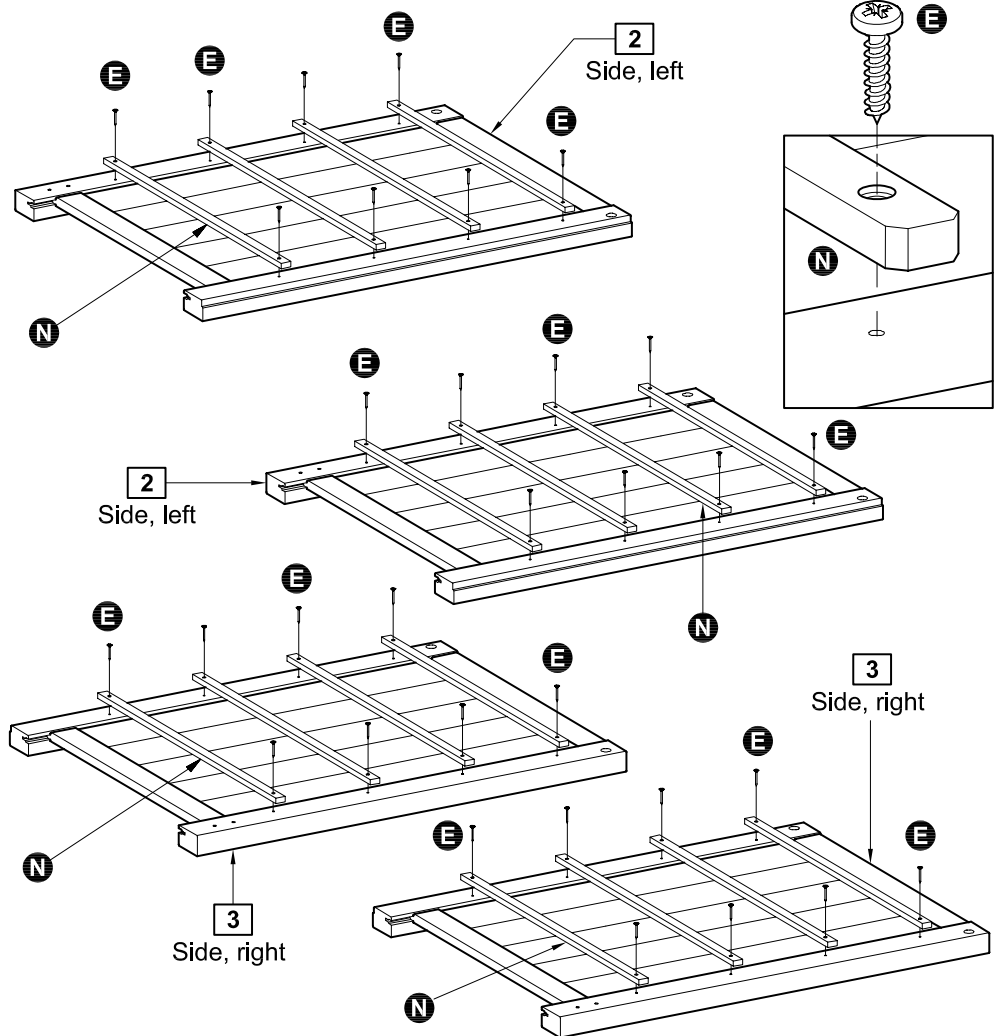
Assembly Instructions

Assembly of dressing table.

Step 1

Attaching the wooden runners to the sides.

Fix the wooden runners **N** to the sides **2** and **3**, using screws **E** through the holes indicated.

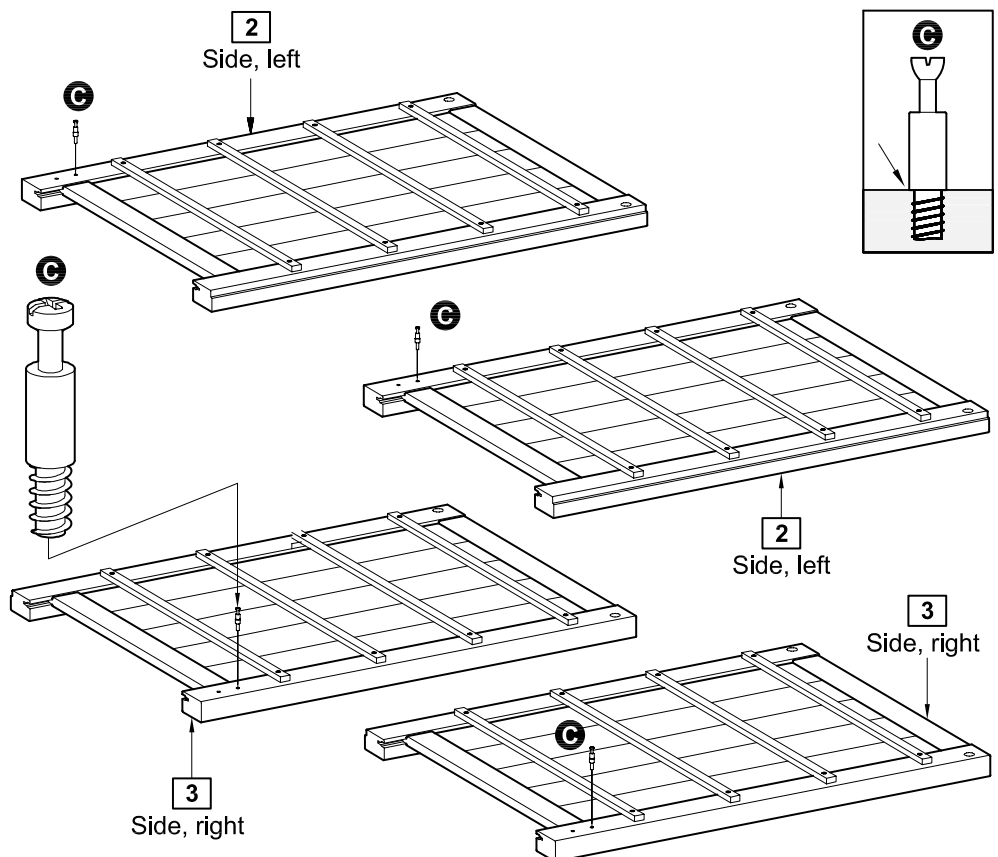


Step 2

Mounting the locking pins to the sides.

Screw the locking pins **C** into the holes indicated on the sides **2** and **3**.

Note: Insert locking pins **C** as far as shown. **Do not over tighten.**



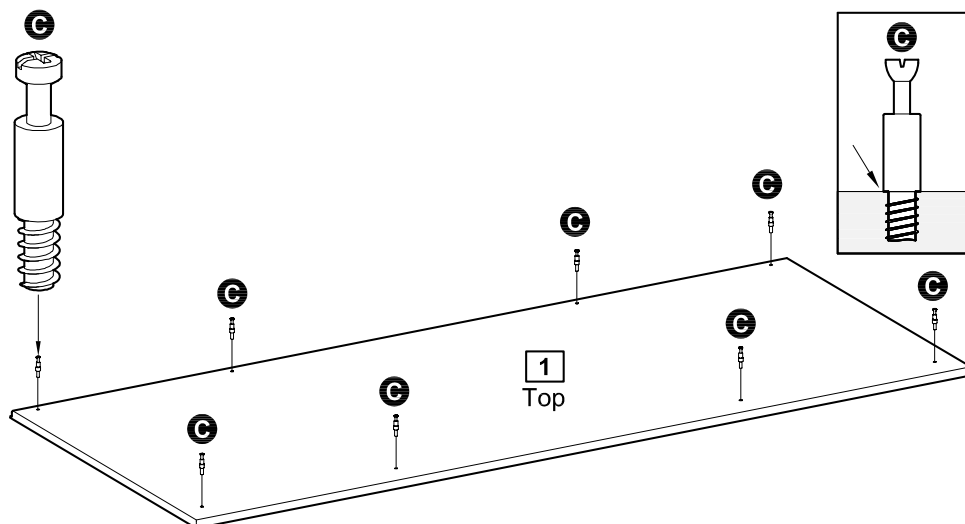
Assembly Instructions

Step 3

Mounting the locking pins to the top.

Screw the locking pins **G** into the holes indicated on the top **1**.

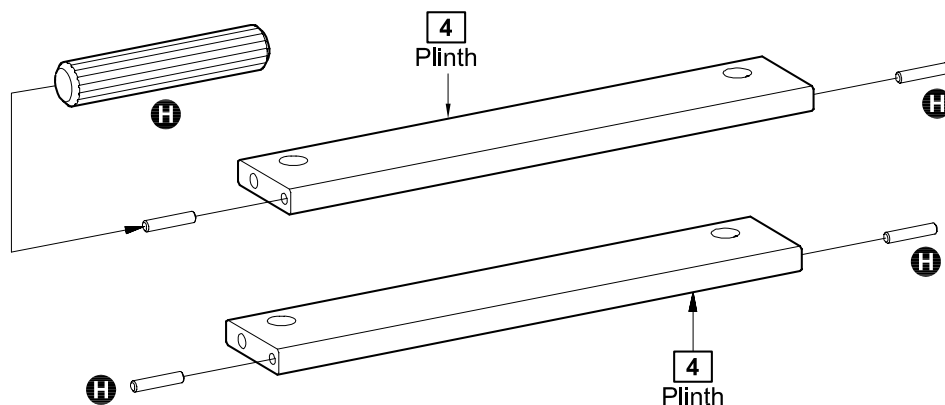
Note: Insert locking pins **G** as far as shown. **Do not over tighten.**



Step 4

Inserting the dowels to the plinths.

Insert the dowels **H** into the holes indicated on the plinths **4**.



Step 5

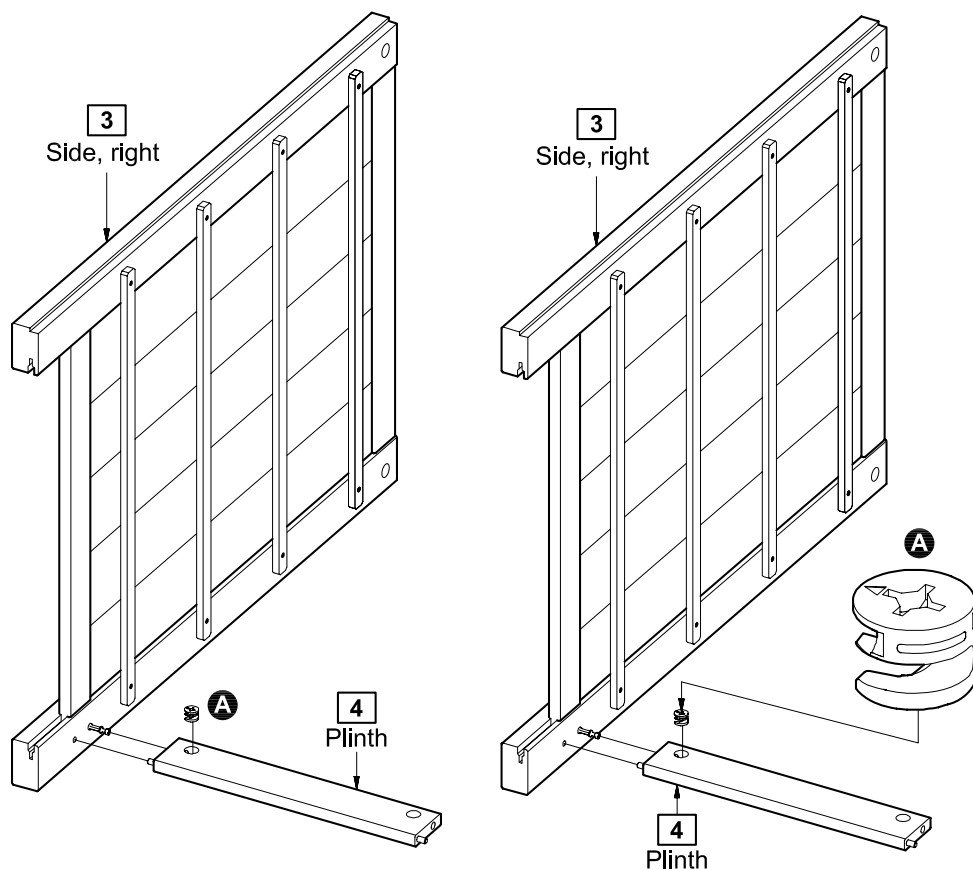
Mounting the plinths to the right hand sides.

Fit the plinths **4** onto the right hand sides **3**.

See page 4 "Function of cam and locking pin".

Place the large cams **A** into the holes indicated, arrows pointing towards the side / locking pins.

To tighten cams: Turn to the right using a screwdriver.



Assembly Instructions

Step 6

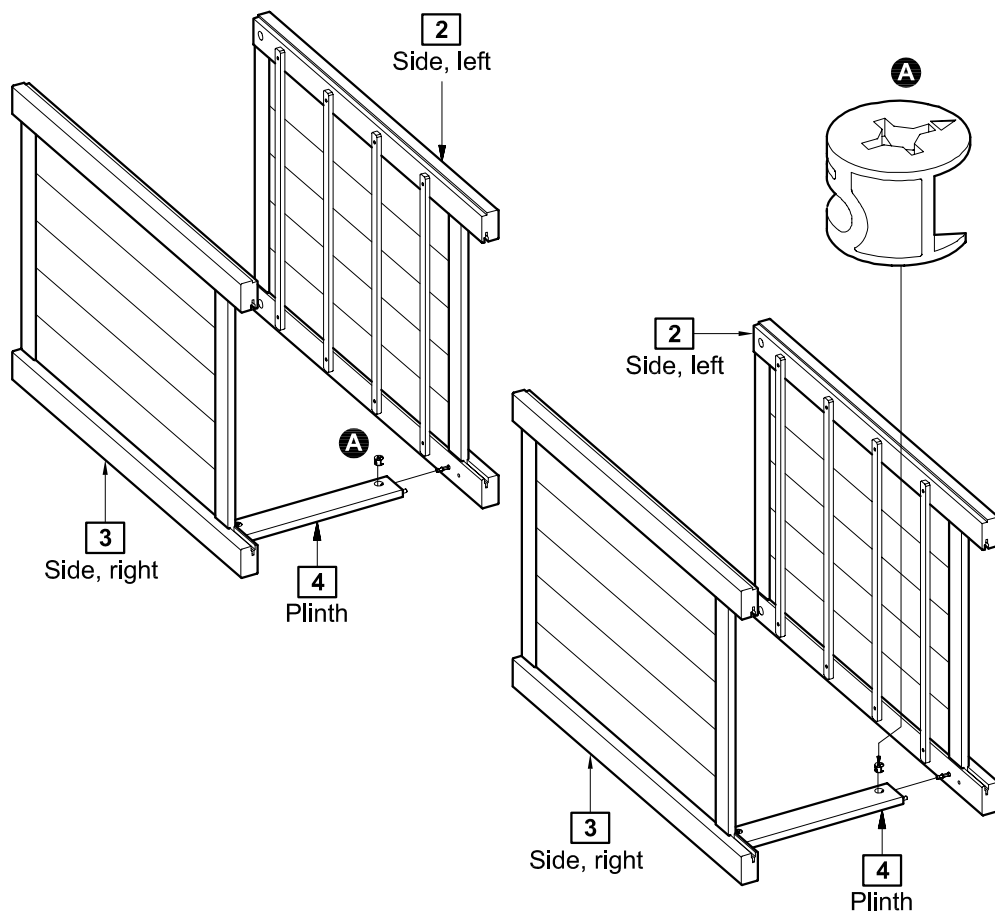
Mounting the left hand sides to the plinths.

Fit the left hand sides **2** onto the plinths **4**.

See page 4 "Function of cam and locking pin".

Place the large cams **A** into the holes indicated, arrows pointing towards the side / locking pins.

To tighten cams: Turn to the right using a screwdriver.



Step 7

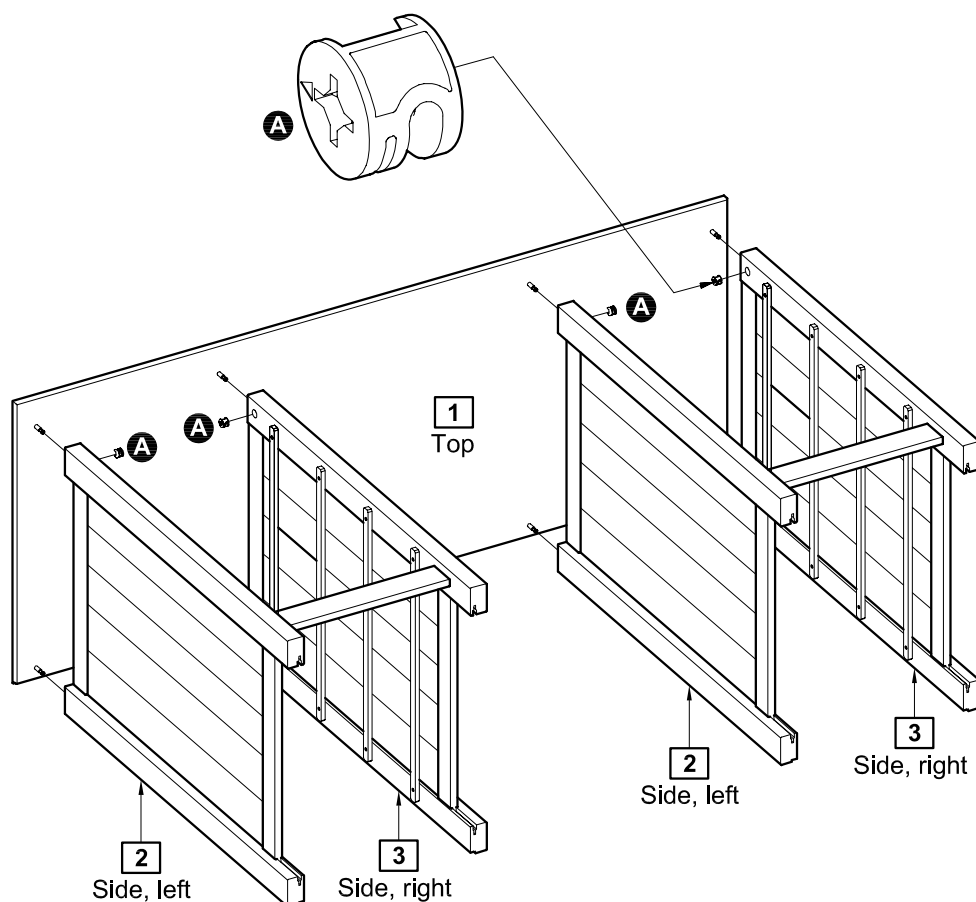
Assembling the top to the sides.

Attach the top **1** onto the sides **2** and **3**.

See page 4 "Function of cam and locking pin".

Place the large cams **A** into the holes indicated, arrows pointing towards the top / locking pins.

To tighten cams: Turn to the right using a screwdriver.



Assembly Instructions

Step 8

Nailing the back to the top and sides.

Place the backs **10** into the rabbet of the top **1** and the sides **3**.

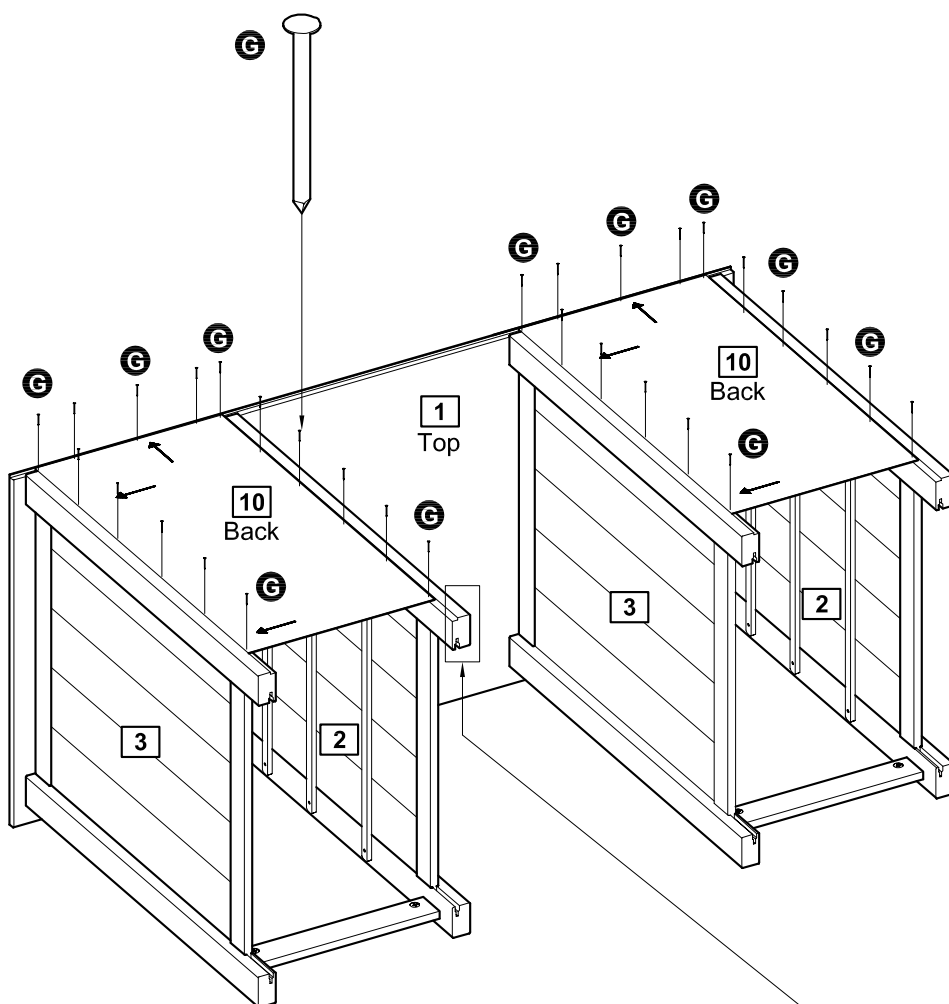
Ensure that there is no gap between the right hand sides **3** and the backs **10**, nor between the top and the backs.

Fasten the backs with nails **G** along the top.

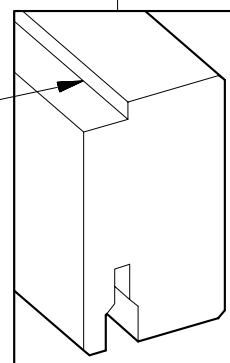
The angle between the top and the sides must be 90 degrees.

To accomplish this, ensure that there is no gap between the right hand sides **3** and the backs **10**.

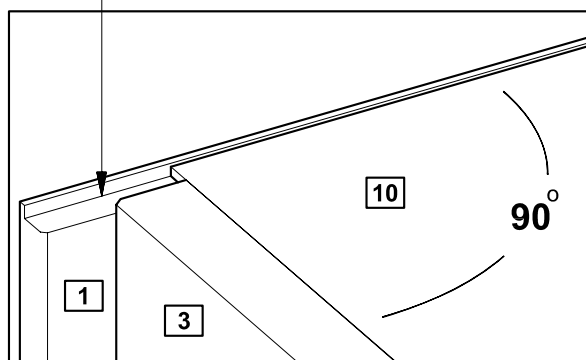
Fasten the backs with nails **G** along the sides.



Rabbet = Back



Rabbet = Back



Assembly Instructions

Step 9

Drawer assembly.

a: Fix the drawer sides **7** and **8** to the drawer back **6** using screws **F**.

b: Slide the drawer bottom **9** into the grooves of the drawer frame.

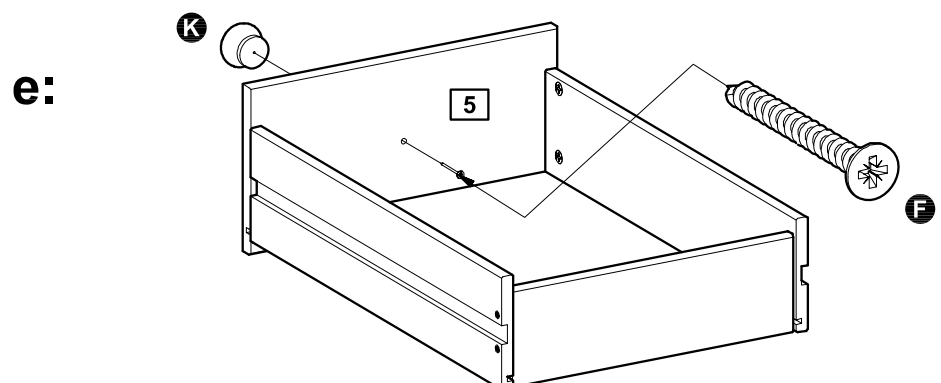
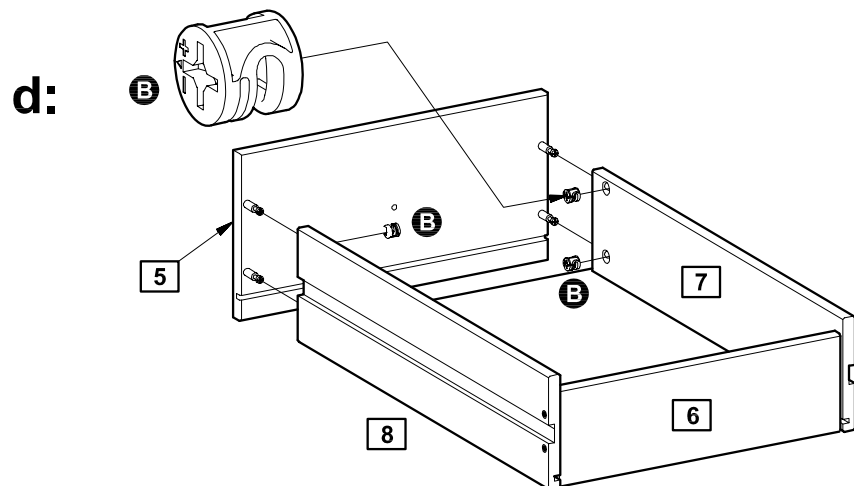
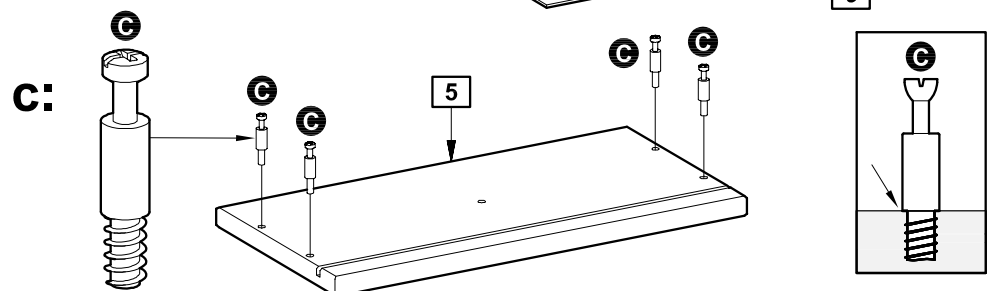
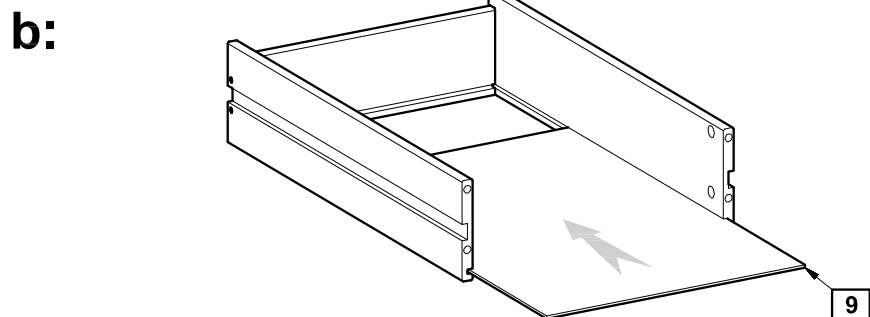
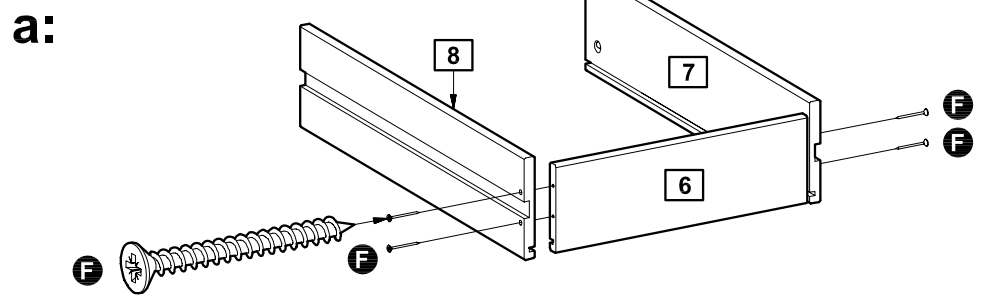
c: Screw the locking pins **G** into the holes indicated on the drawer front **5**.

Note: Insert locking pins **G** as far as shown. **Do not over tighten.**

d: Press the drawer front **5** onto the drawer sides **7** and **8**. Place the small cams **B** into the holes indicated, arrows pointing towards the drawer front / locking pins. To tighten cams: Turn to the right using a screwdriver. "Function of cam and locking pin" see page 4.

e: Fix the knob **K** to the drawer front **5** using screw **F**.

Repeat with remaining drawers.

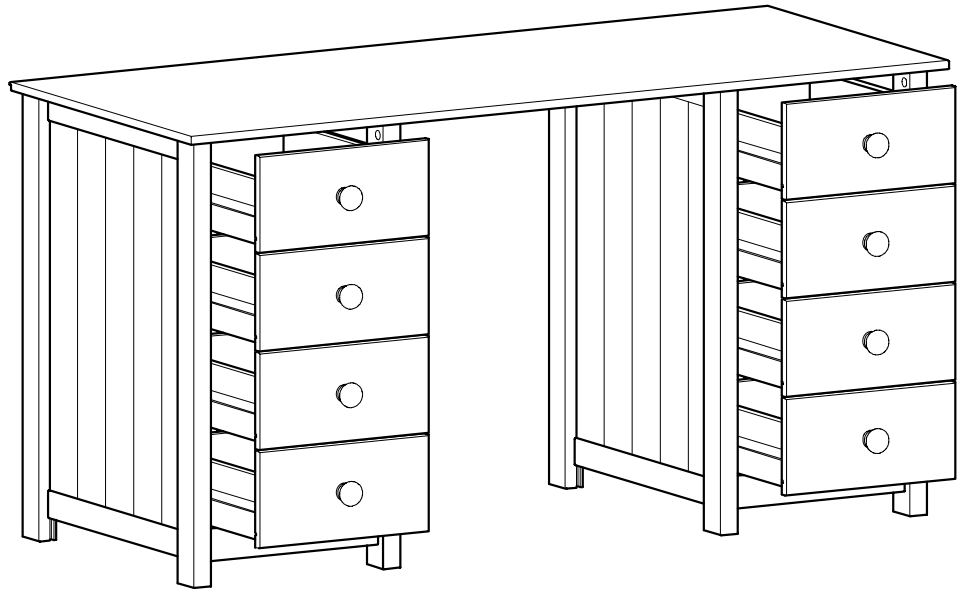


Assembly Instructions

Step 10

Adding the drawers to the table.

Slide the drawers onto the wooden runners.



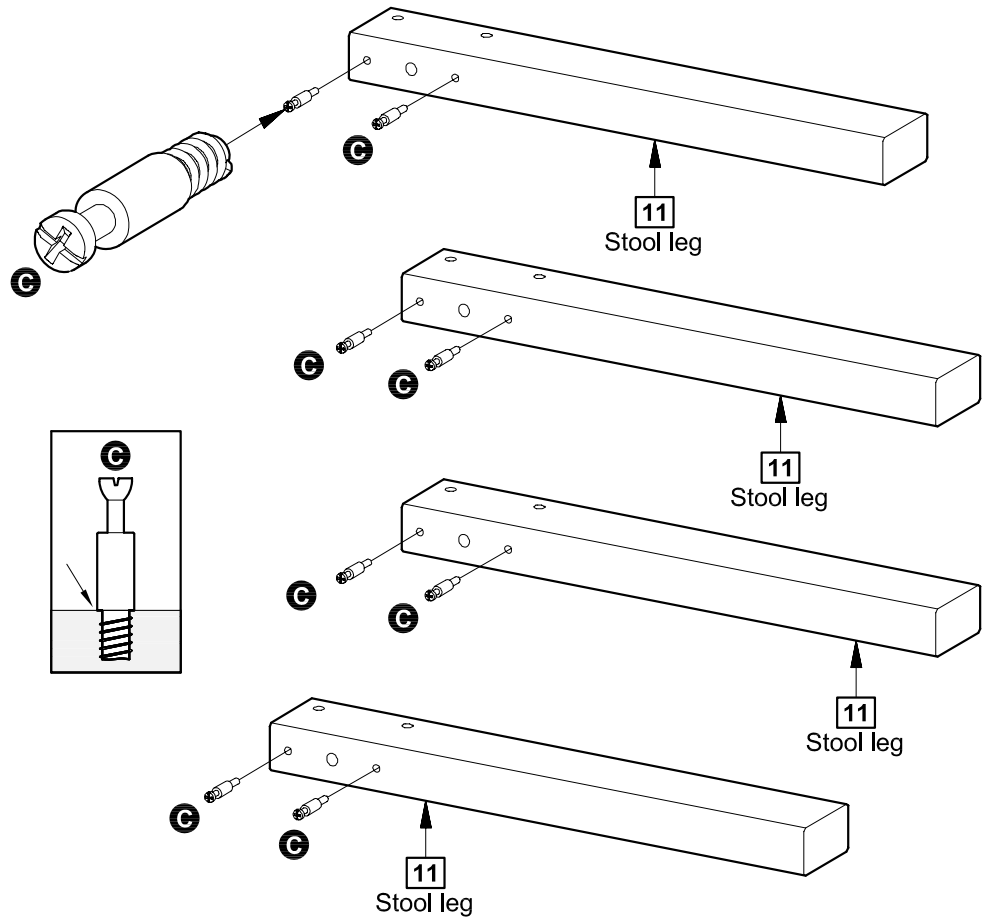
Assembly of dressing stool.

Step 11

Mounting the locking pins to the stool legs.

Screw the locking pins **G** into the holes indicated on the stool legs **11**.

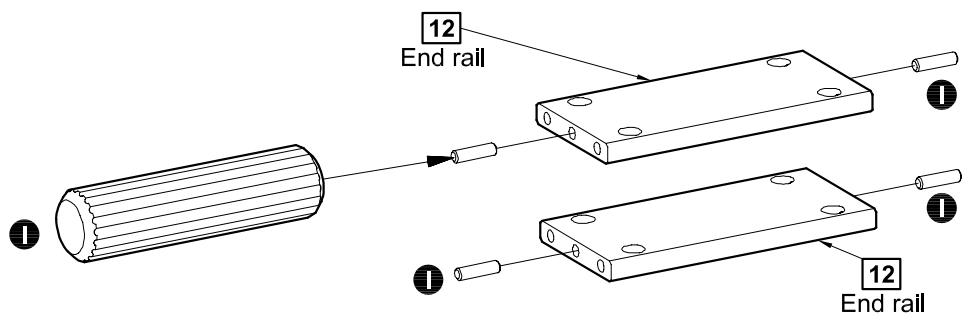
Note: Insert locking pins **G** as far as shown. Do not over tighten.



Step 12

Inserting the dowels to the end rails.

Insert the dowels **I** into the holes indicated on the end rails **12**.



Assembly Instructions

Step 13

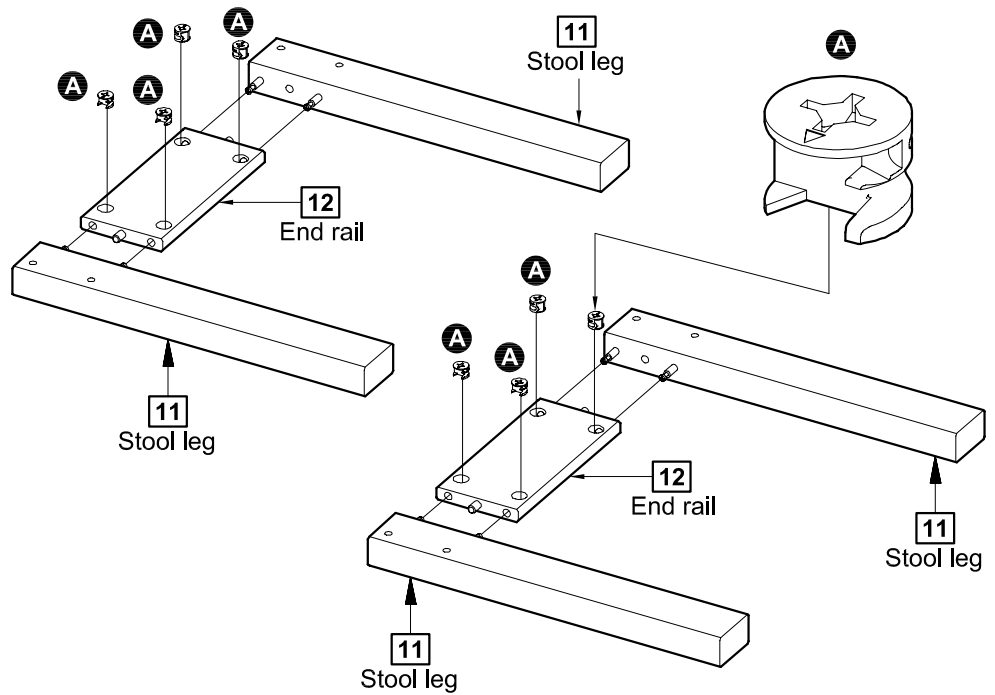
Mounting the stool legs to the end rails.

Press the stool legs **11** onto the end rails **12**.

See page 4 "Function of cam and locking pin".

Place the large cams **A** into the holes indicated, arrows pointing towards the stool leg / locking pins.

To tighten cams: Turn to the right using a screwdriver.

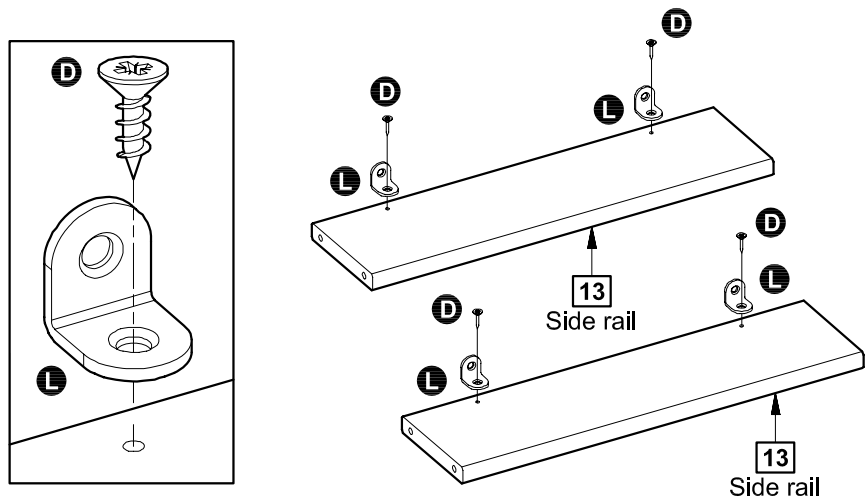


Step 14

Fixing the angles onto the side rails.

Fix the angles **L** onto the side rails **13** using screws **D** into the pre-drilled holes.

The angles must be turned exactly as shown.



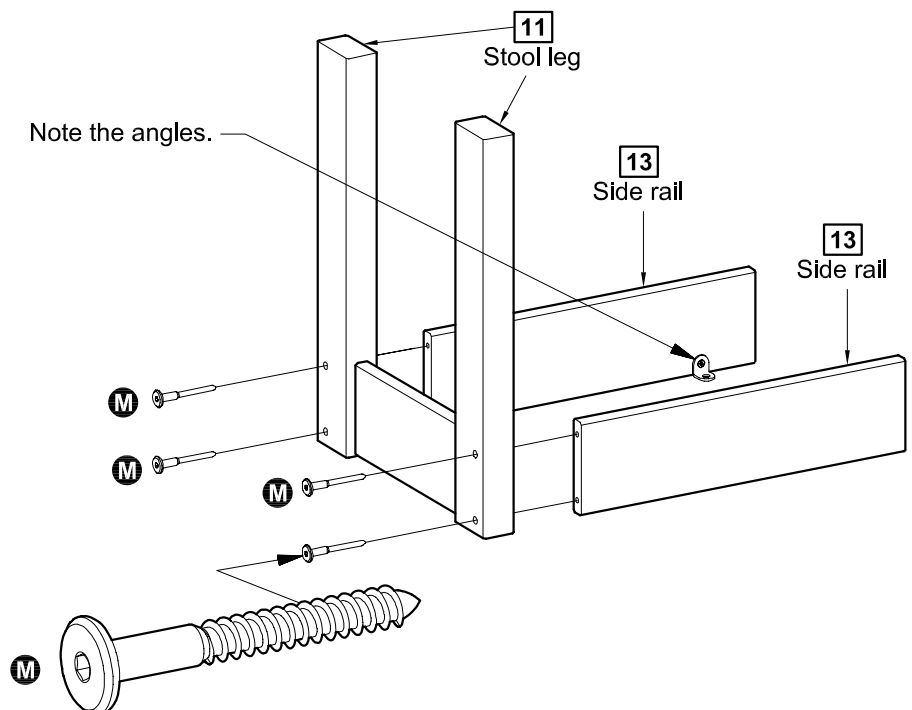
Step 15

Mounting the side rails onto the stool legs.

Press the side rails **13** onto the stool legs **11**.

Note the angles.

Fix the side rails using screws **M** and allen key **J** through the holes indicated.



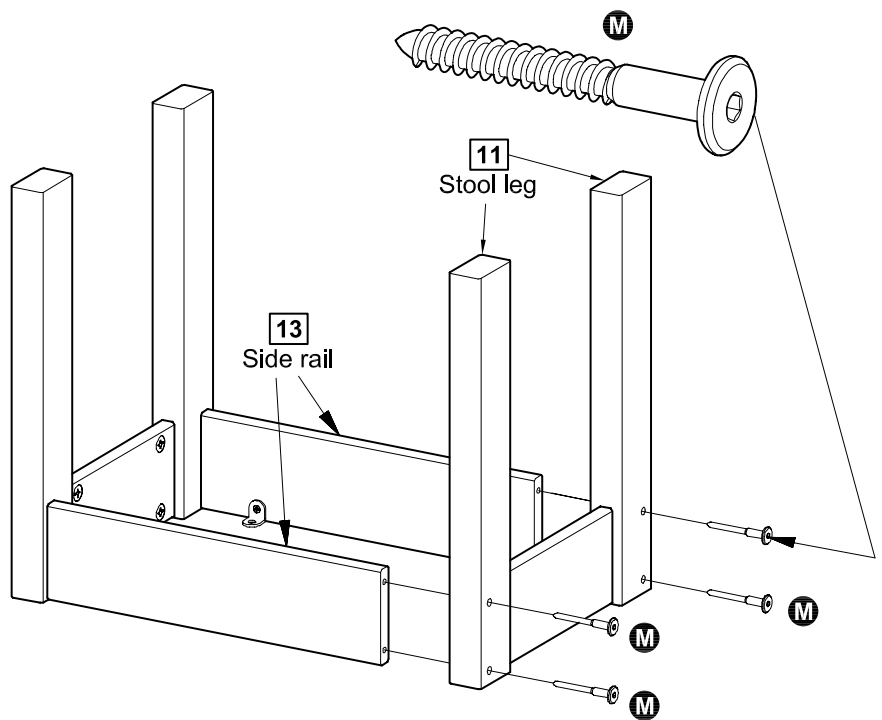
Assembly Instructions

Step 16

Mounting the stool legs onto the side rails.

Press the stool legs **11** onto the side rails **13**.

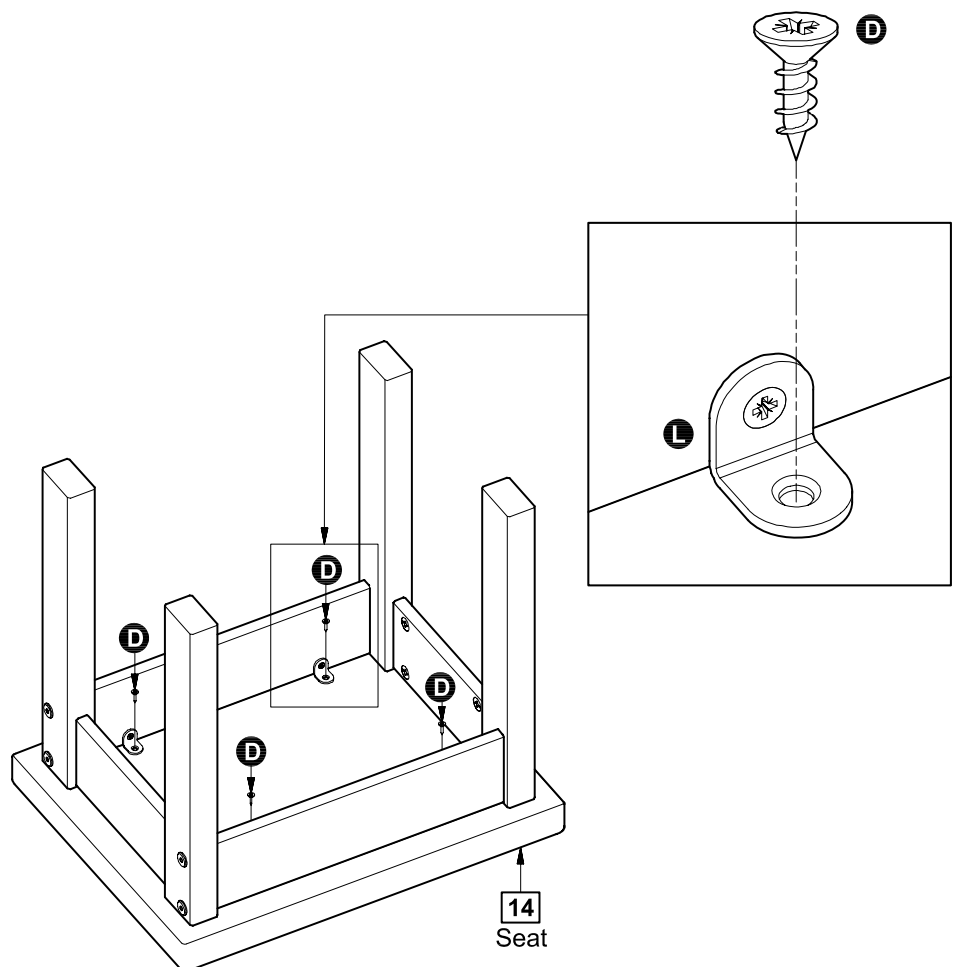
Fix the side rails using screws **M** and allen key **J** through the holes indicated.



Step 17

Adding the seat to the stool.

Fix the side rails **13** onto the seat **14** using screws **D** through the angles.



Assembly is complete.

If you need help or have damaged or missing parts, call the **Customer Helpline: 08456 400800**

Dear Customer

Please note that the product you have purchased is a natural living timber.

Just like nature itself, wood varies in shape and colour. Knots, vein patterns, resin pockets and colour differences contribute to giving the piece of furniture its beauty and form - a natural part of solid wood.

Although the tree has been cut down and dried, it is still alive and therefore will react to high and low temperatures, light, humidity, drought and time.

In cold and dry periods, the wood contracts which may lead to small cracks in the piece of furniture. The reverse happens in warm and humid periods where the wood expands and this may result in slight unevenness.

The colour of the wood also changes with time, particularly if the furniture is placed in a light place. This is a natural process and part of owning a piece of furniture made of solid wood.

Any flexing that has occurred during transport will re-correct it self once this product is correctly assembled.

Tighten all joints of the furniture after six months.

Please keep these instructions in a safe place for future use.