

FP400020 MUK Rev 1

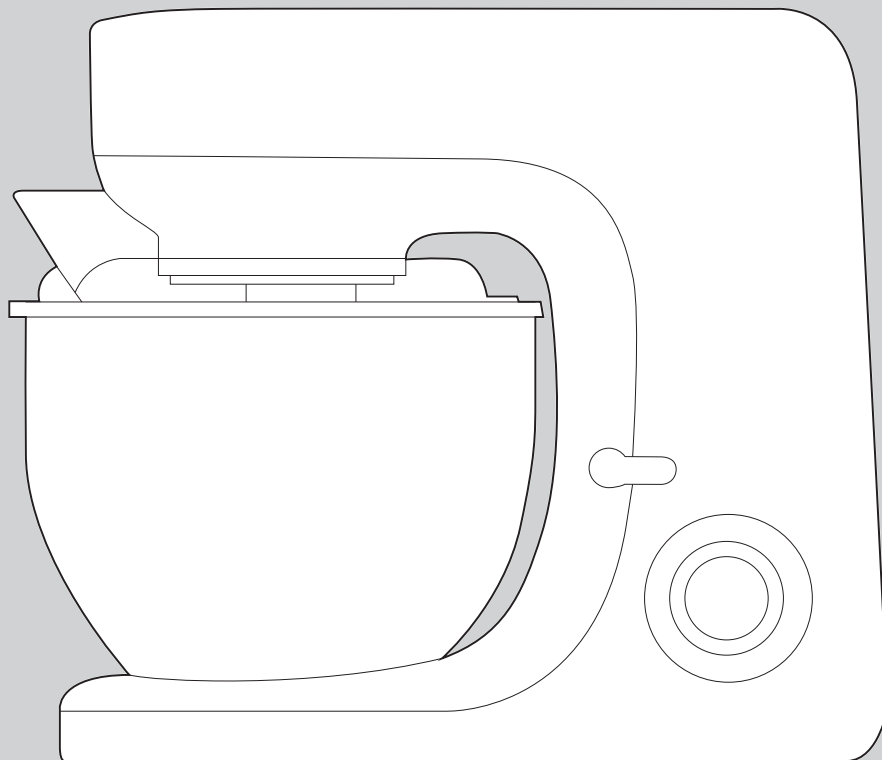
morphy richards®

smart ideas for your home



Stand Mixer

 Please read and keep these instructions for future use



For competitions, product hints and tips and more join us at



www.morphyrichards.co.uk/blog



www.facebook.com/morphyrichardsuk



[@loveyourmorphy](https://twitter.com/loveyourmorphy)

www.morphyrichards.com

The use of any electrical appliance requires the following common sense safety rules. Please read these instructions carefully before using the product.

This appliance can be used by persons with reduced physical, sensory or mental capabilities, or lack of experience and knowledge, if they have been given supervision or instruction concerning the use of the appliance in a safe way and understand the hazards involved.

Children shall not play with the appliance.

This appliance shall not be used by children.

Keep appliance and cord out of the reach of children.

Do not use your Stand Mixer continuously for longer than 10 minutes. After using for these lengths of time, allow to cool for 20 minutes.

Avoid touching moving parts. Keep hands, hair and clothing, and utensils away from the hand mixer attachments during operation, to prevent personal injury and/or damage to the appliance.

Switch off the appliance and disconnect from the supply before changing accessories or approaching parts that move in use.

If the supply cord is damaged, it must be replaced by the manufacturer, its service agent or similarly qualified persons in order to avoid a hazard.

Unplug from the outlet when not in use, or when left unattended, and before assembling, disassembling or cleaning.

For care and cleaning refer to page 7.

In addition, we offer the following safety advice.

Do not use outdoors or in a bathroom.
Always locate your appliance away from the edge of the worktop.

Do not let the mains cable hang over the edge of the worktop where a child could reach it.
Do not let the lead run across an open space e.g. between a low socket and a table.
Do not let the cable run across a cooker or other hot area which might damage the cable.
The mains cable should reach from the socket to the base unit without straining the connections.
The power cord cannot be replaced. Contact Morphy Richards for advice.

Do not use the appliance for anything other than its intended purpose.

WARNING: Misuse of appliance could cause personal injury.
The use of attachments or tools not recommended or sold by Morphy Richards may cause fire, electric shock or injury.

Do not operate any appliance with a damaged cord or plug or after the appliance malfunctions or has been damaged in any manner.

Check that the voltage on the rating plate of your appliance corresponds with your house electricity supply which must be A.C. (Alternating Current).
Should the fuse in the mains plug require changing, a 5 amp BS1362 fuse must be fitted.

Thank you for your recent purchase of this Morphy Richards Stand Mixer.

Please read the instructions for information on how to use your Stand Mixer before use.

Remember to visit www.morphyrichards.co.uk to register your product's one year guarantee.

Health And Safety

Introduction

Product Overview

Before First Use

Assembling Your Stand Mixer

Using Your Stand Mixer

Top Tips

Removing the Accessories

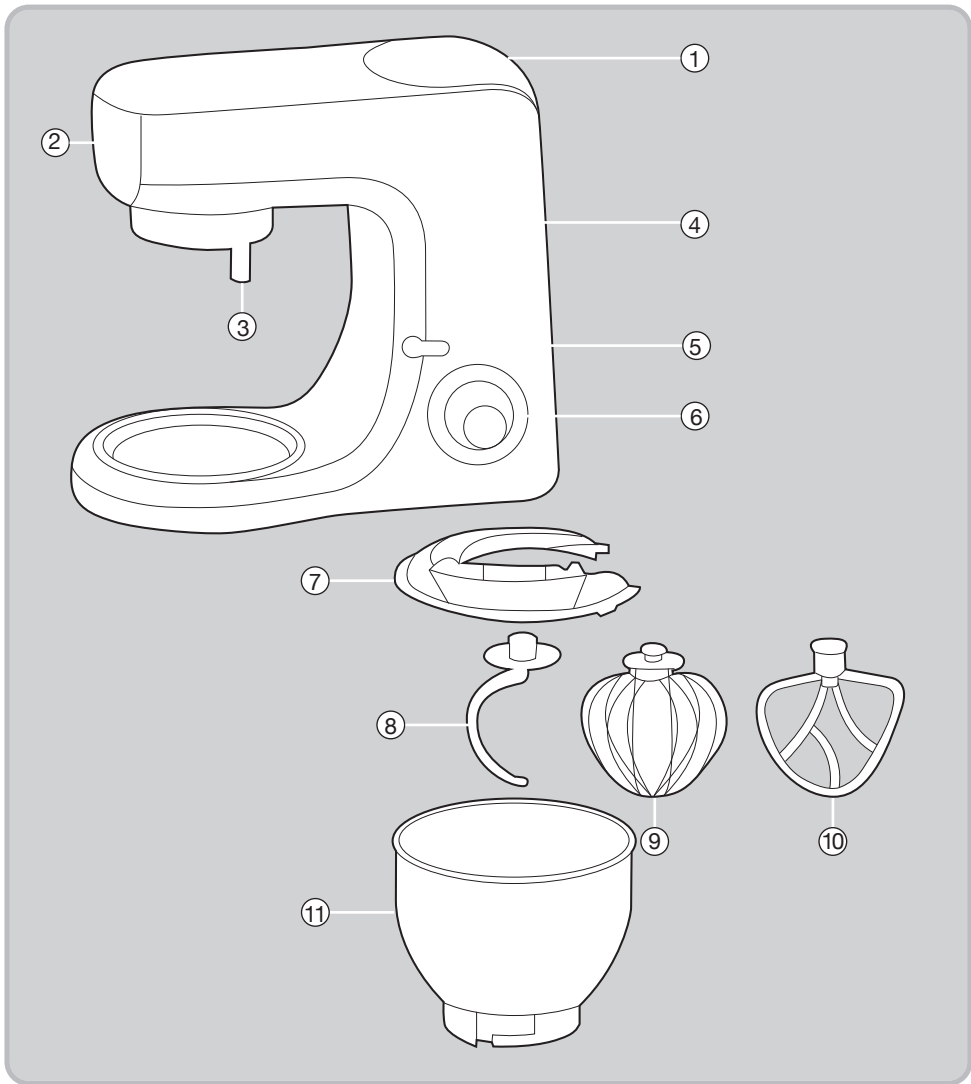
Care and Cleaning

Troubleshooting

Contact Us

Guarantee





- (1) Blender Cover
(Not Used)
- (2) Accessory Cover
(Not Used)
- (3) Accessory Socket

- (4) Head
- (5) Head Release Button
- (6) Speed Dial
- (7) Splash Guard

- (8) Dough Hook
- (9) Whisk
- (10) Beater
- (11) Bowl

1. Before first use thoroughly clean your Stand Mixer and accessories in hot soapy water.
2. Before switching on your Stand Mixer, make sure the Speed Dial is at the "0" position, and then attach the Whisk, Beater or Dough Hook.
3. Always turn the Speed Dial to "0" position and unplug the cord from power outlet when mixing is completed.
4. The maximum operation time should not exceed 10 minutes.

CAUTION: A minimum of 20 minutes rest time must be maintained between two consecutive cycles.

5. Always follow the recommended quantities, processing time and speed setting. Do not exceed the suggested processing speed to avoid damage to the machine.

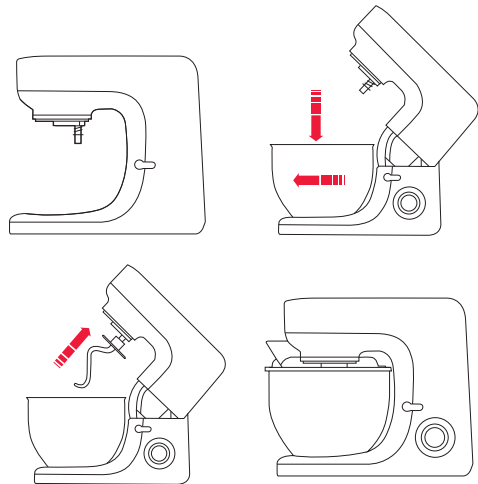
IMPORTANT:

1. The appliance will only start when the Head is in the lowered position and locked.
2. If the bowl is too full the appliance will be overloaded and stop. To restart the appliance, turn the Speed Dial to the 0 position and remove some of the ingredients. Allow the appliance to cool down for 20 minutes, then restart.

CAUTION: If the Blender Cover is not fitted correctly the mixer will not switch on.

Assembling the accessories.

1. Rotate the Head Release Button clockwise to release the Head and raise it until it locks into place.
2. Lock the Bowl clockwise on the appliance and put the ingredients in.
3. Insert the desired accessory on the Accessory Socket, push and rotate to lock the accessory in position.
4. Rotate the Head Release Button and manually press the Head down until it locks to its closed position.
5. Slide the Splash Guard over the Bowl.



NOTE: It is not essential to use the Splash Guard but it helps prevent splashing.

1. Start by turning the Speed Dial to the desired position, using the table below for reference.
2. The appliance starts running immediately. You can add food through the hole in the Splash Guard during operation
3. To stop the appliance, turn the Speed Dial to the 0 position
4. For recommended quantities, processing times and speeds, please refer to the table below.

Accessory	Usage	Speed	Time	Max Capacity
Dough Hook	For making bread dough	1-2	4-6 min	1000g
Beater	For making cakes, cookies, pastry, mashed potato etc.	1-10	4-6 min	1800g
Whisk	For making egg white, cream, meringues, mousses and souffles	10	3 min	500ml or 10 egg whites

Kneading

Use the Dough Hook at speed “1-2”.

You can knead up to 1000g of flour (e.g. White bread, grain bread, short crust pastry, etc)

Mixing

Use the Beater at speed “1” to “10”.

You can mix up to 1.8 kg of light dough (light cake mixture, sponge cake, biscuit or cookie dough).

NOTE: Never use the Beater to knead heavy dough.

Beating / Whisking

Use the Whisk at speed “1” to “10”.

You can prepare: mayonnaise, sauces, whisk egg white (up to 10 egg white), whipped cream (up to 500ml), meringues etc.

NOTE: Never use the Whisk to knead heavy dough or mix light dough.

1. Wait for the appliance to stop

2. Remove the Splash Guard

3. Rotate the Head Release Button and lift to the lock position

4. Remove the accessory, and from the Head by pushing the accessory up and rotating anti-clockwise

5. Remove the Bowl

Always use the chart below for advice on cleaning your appliance and accessories.

CAUTION: Unplug the appliance and wait for it to completely cool down before cleaning.

Accessory	Cloth	Water	Dishwasher
Main Unit	✓	✗	✗
Bowl	✓	✓	✓
Splash Guard	✓	✓	✗
Dough Hook	✓	✓	✗
Beater	✓	✓	✗
Whisk	✓	✓	✗

If your appliance does not work, check:

1. That the appliance is plugged in at the wall power socket
2. That the Head is locked in position
3. If the bowl is too full the appliance will stop automatically. To restart the appliance, turn the Speed Dial to the 0 position and remove some of the ingredients. Allow the appliance to cool down for 20 minutes, then restart.

If you are having a problem with your Stand Mixer, please call our Helpline, as we are more likely to be able to help than the store you purchased the item from.

Please have the product name, model number and serial number to hand when you call to help us deal with your enquiry quicker.

UK Helpline: 0344 871 0944

IRE Helpline: 1800 409 119

Spares: 0344 873 0710

If you have any questions or comments, or want some great tips or recipe ideas to help you get the most out of your products, join us online:

Blog: www.morphyrichards.co.uk/blog

Facebook: www.facebook.com/morphyrichardsuk

Twitter: @loveyourmorphy

Website: www.morphyrichards.com

FP400020 MUK Rev 1 08/16

Please quote the following information if the product develops a fault. These numbers can be found on the base of the product.

Model no.

Serial no.

All Morphy Richards products are individually tested before leaving the factory. In the unlikely event of any appliance proving to be faulty within 28 days of purchase, it should be returned to the place of purchase for it to be replaced.

If the fault develops after 28 days and within 12 months of original purchase, you should contact the Helpline number quoting Model number and Serial number on the product, or write to Morphy Richards at the address shown.

You may be asked to return a copy of proof of purchase.

Subject to the exclusions set out below (see Exclusions), the faulty appliance will then be repaired or replaced as appropriate and dispatched usually within 7 working days of receipt.

If, for any reason, this item is replaced or repaired during the 1 year guarantee period, the guarantee on the new item will be calculated from original purchase date. Therefore it is vital to retain your original till receipt or invoice to indicate the date of initial purchase.

To qualify for the 1 year guarantee, the appliance must have been used according to the instructions supplied. For example, crumb trays should have been emptied regularly.

Morphy Richards shall not be liable to replace or repair the goods under the terms of the guarantee where:

The fault has been caused or is attributable to accidental use, misuse, negligent use or used contrary to the manufacturer's recommendations or where the fault has been caused by power surges or damage caused in transit.

The appliance has been used on a voltage supply other than that stamped on the products.

Repairs have been attempted by persons other than our service staff (or authorised dealer).

The appliance has been used for hire purposes or non domestic use.

The appliance is second hand.

Morphy Richards reserves the right not to carry out any type of servicing under the guarantee at its discretion

Plastic filters for all Morphy Richards kettles and coffee makers are not covered by the guarantee.

Batteries and damage from leakage are not covered by the guarantee.

This guarantee does not confer any rights other than those expressly set out above and does not cover any claims for consequential loss or damage. This guarantee is offered as an additional benefit and does not affect your statutory rights as a consumer. Morphy Richards products are intended for household use only. See usage limitations within the location safety instructions.

Morphy Richards has a policy of continuous improvement in product quality and design. The company, therefore reserves the right to change the specification of it's models at any time.



For electrical products sold within the European Community. At the end of the electrical products useful life, it should not be disposed of with household waste.

Please recycle where facilities exist. Check with your Local Authority or retailer for recycling advice in your country

morphy richards

The After Sales Division
Morphy Richards Ltd
Mexborough, South Yorkshire,
England, S64 8AJ

Helplines (office hours)
UK 0344 871 0944
Spare Parts 0344 873 0710
Republic of Ireland 1800 409 119
www.morphyrichards.com

