

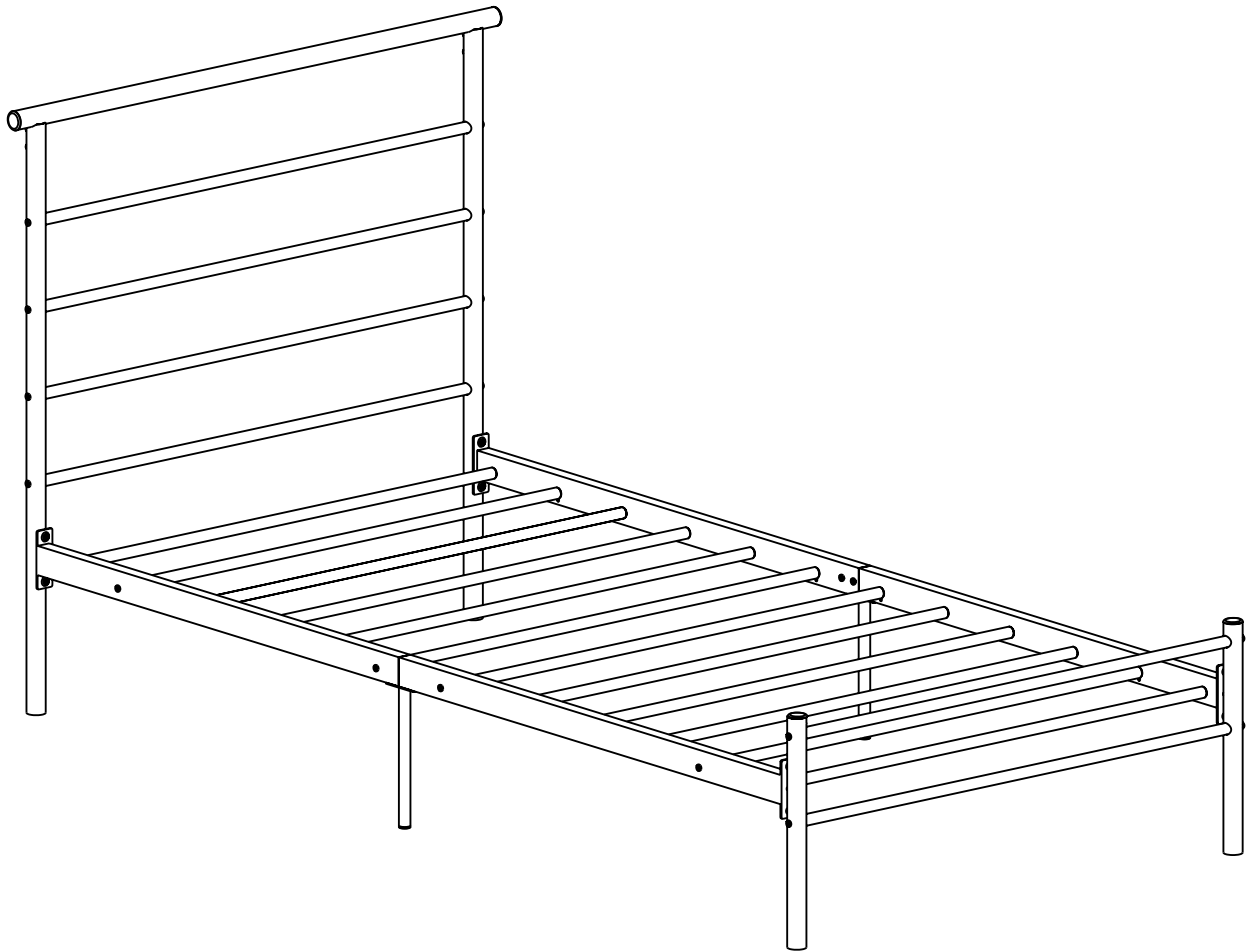
# Avalon 3' Bed

Assembly Instructions – Please keep for future reference

634/2717

634/2748

634/2779



## Dimensions (3')

Length - 200cm

Width - 104cm

Height - 104cm

**Important** – Please read these instructions fully before starting assembly

If you need help or have damaged or missing parts, call the **Customer Helpline: 08456 400800**



# Safety and Care Advice

## Important – Please read these instructions fully before starting assembly

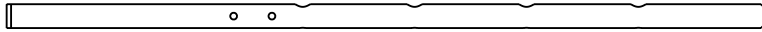
- Check you have all the components and tools listed on pages 2 and 3.
- Remove all fittings from the plastic bags and separate them into their groups.
- Keep children and animals away from the work area, small parts could choke if swallowed.
- Parts of the assembly will be easier with 2 people.
- Make sure you have enough space to layout the parts before starting.
- Assemble the item as close to its final position (in the same room) as possible.
- Dispose of all packaging carefully and responsibly.
- Place the product on flat and steady surface during use.
- Assemble on a soft level surface to avoid damaging the unit or your floor.
- Keep these instructions for further use.
- To ensure an easier assembly, we strongly advise that all fittings are only finger tightened during initial assembly. Only upon completion of the assembly should all fixing points be fully tightened.

## Care and maintenance

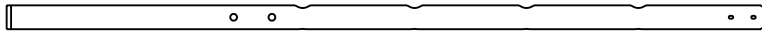
- Only clean using a damp cloth and mild detergent, do not use bleach or abrasive cleaners.
- From time to time check that there are no loose screws on this unit.
- This product should not be discarded with household waste. Take to your local authority waste disposal centre.

# Components - Parts

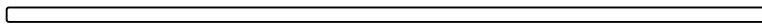
Please check you have all the parts listed below



- 1** Headboard corner post (right) (101 x Ø3.2cm)



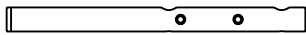
- 2** Headboard corner post (left) (101 x Ø3.2cm)



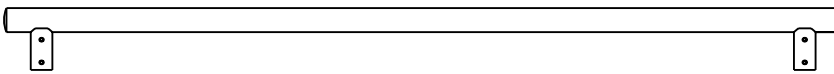
- 3** Horizontal rail x 6 (96xØ1.9cm)



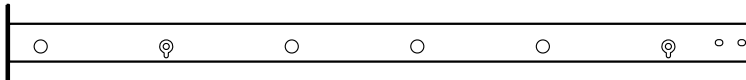
- 4** Footboard corner post (right) (40 x Ø3.2cm)



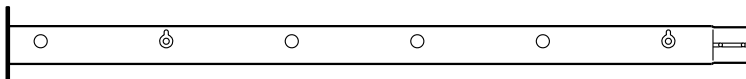
- 5** Footboard corner post (left) (40 x Ø3.2cm)



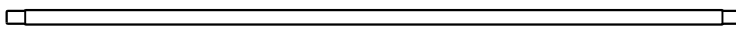
- 6** Top rail ( 103 x 8.2cm)



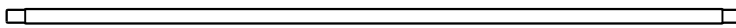
- 7** Side rail x 2 (98.4 x 10cm)



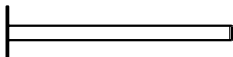
- 8** Side rail x 2 (98.4 x 10cm)



- 9** Slat (Thread each end) x 4 (97.1 x Ø1.9cm)



- 10** Slat x 8 (97.1 x Ø1.9cm)



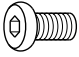
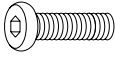
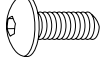

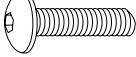
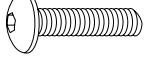
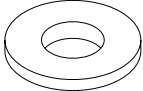
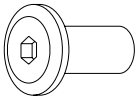
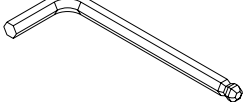
- 11** Support leg x 2  
(29.8 x 7cm)

# Components - Fittings

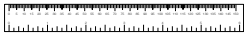
If you have damaged or missing components, call the **Customer Helpline: 08456 400800**

Please check you have all the fittings listed below

**Note:** The quantities below are the correct amount to complete the assembly. In some cases more fittings may be supplied than are required.

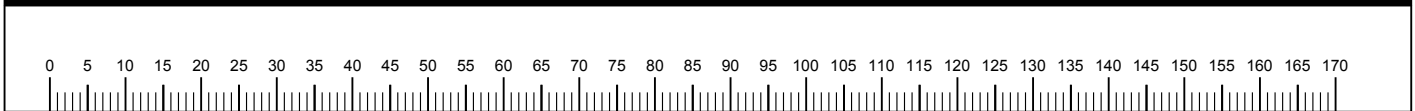
<p><b>A</b></p>  <p>15mm Allen screw x 4</p>	<p><b>B</b></p>  <p>25mm Allen screw x 12</p>	<p><b>C</b></p>  <p>13mm Allen screw x 8</p>
<p><b>D</b></p>  <p>Plain washer x 8</p>	<p><b>E</b></p>  <p>25mm Allen screw x 12</p>	<p><b>F</b></p>  <p>30mm Allen screw x 4</p>
<p><b>G</b></p>  <p>Rubber washer x 8</p>	<p><b>H</b></p>  <p>Nut x 4</p>	<p><b>J</b></p>  <p>Allen key x 2</p>

## Tools required



Ruler/tape  
measure

## Ruler - Use this ruler to help correctly identify the screws



# Assembly Instructions

## Step 1

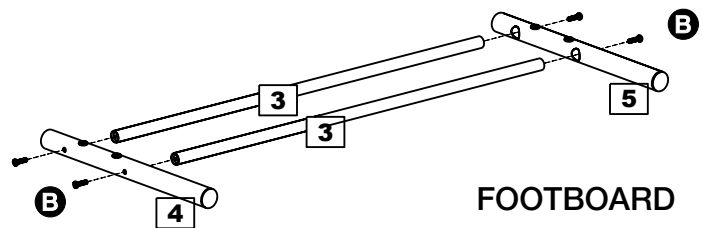
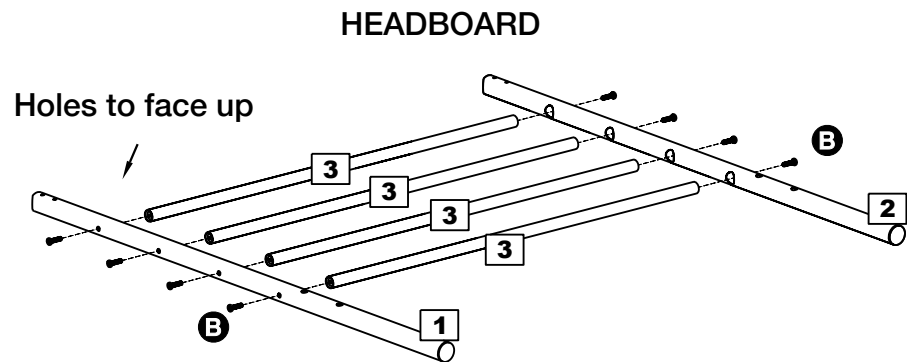
### Assembling corner posts

Lay headboard posts **1** and **2** flat onto the floor with the holes facing up.

Assemble horizontal rails **3** in between corner posts **1** and **2** using screws **B**.

**Note:** Horizontal rails **3** fit inside the large holes in posts **1** and **2**.

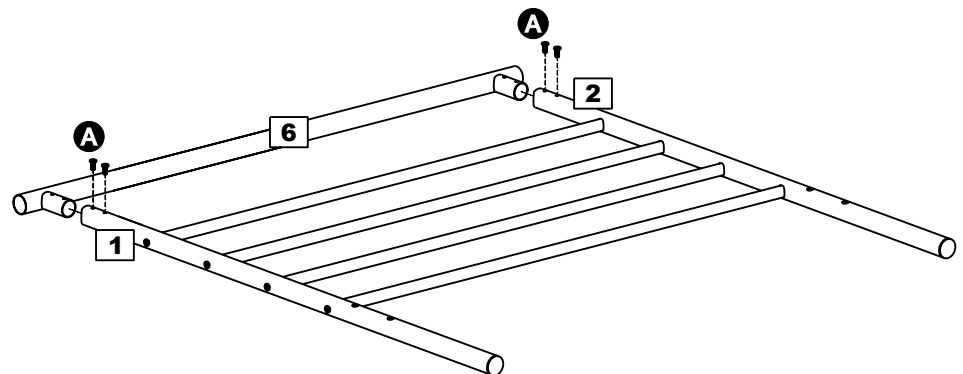
Repeat using footboard corner posts **4** and **5**.



## Step 2

### Assembling top rail

Assemble top rail **6** to the headboard assembly using screws **A**.



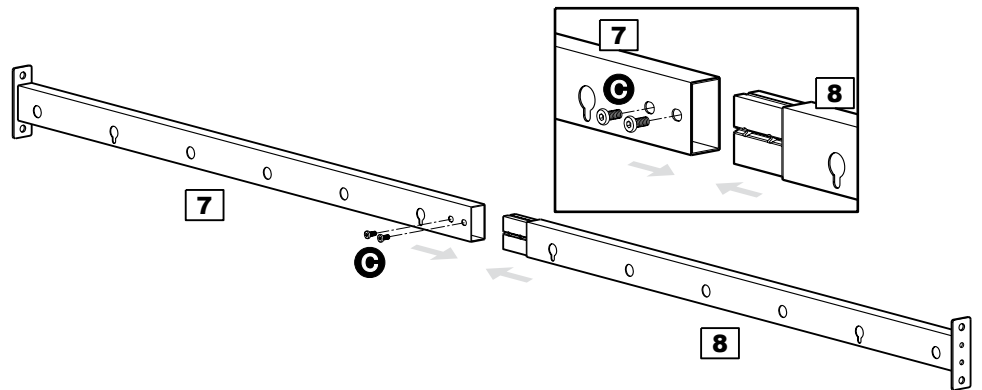
# Assembly Instructions

## Step 3

### Assembling side rails

Assemble side rails **7** and **8** together using screws **C**.

Repeat for the other side rail.

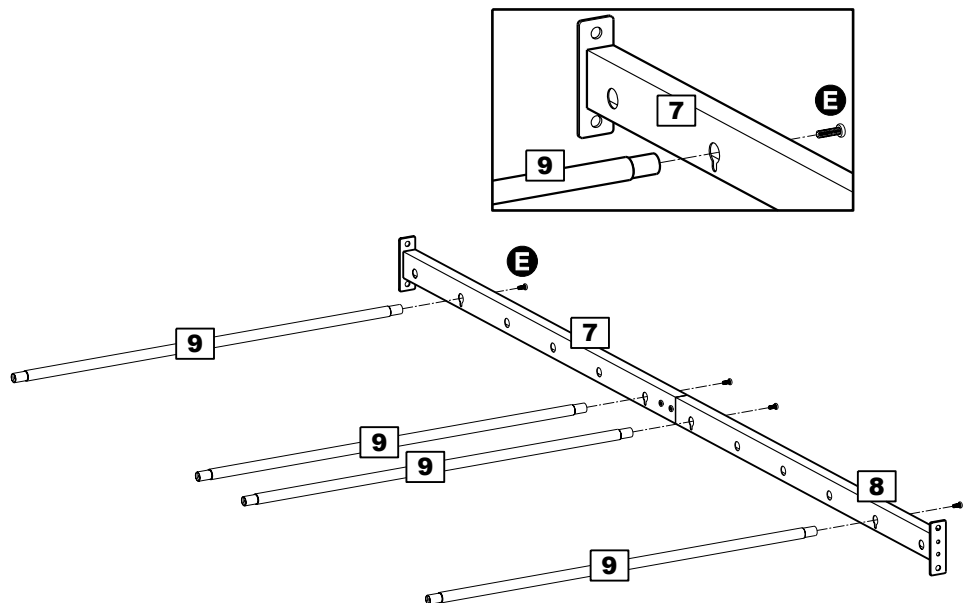


## Step 4

### Assembling slats

Assemble slats **9** to one side rail only, using screws **E**.

**Note:** Slats **9** have a thread in each end.



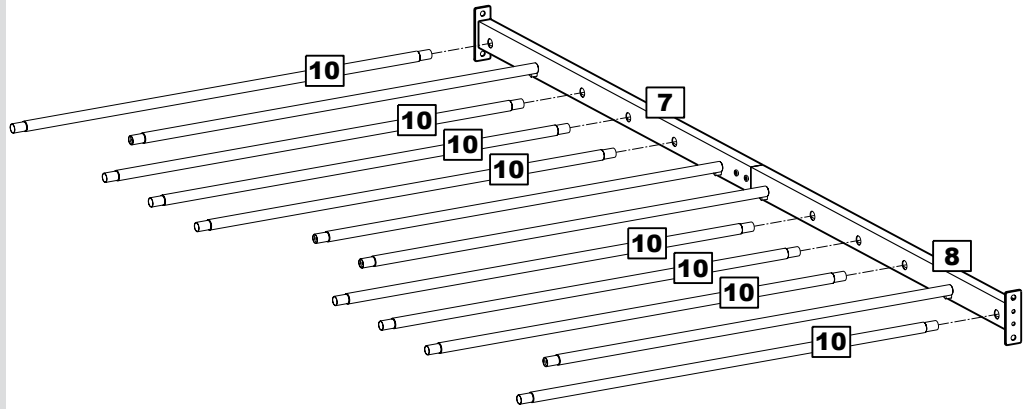
# Assembly Instructions

## Step 5

### Assembling slats

Locate slats **10** into the remaining holes in the side rail.

**Note:** Slats **10** have no threads in the end and do not require fixing.

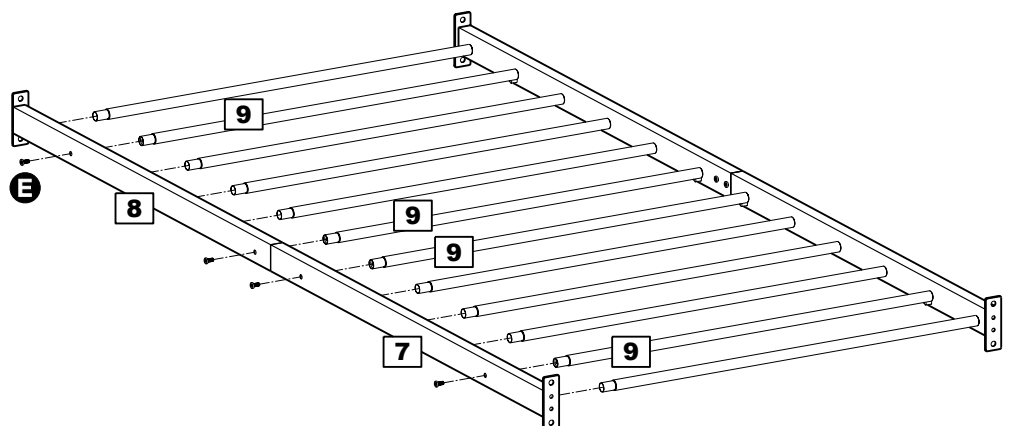


## Step 6

### Assembling bed base

With help, locate the remaining side rail onto the ends of the slats.

Secure using screws **E** into slats **9** as shown.



# Assembly Instructions

## Step 7

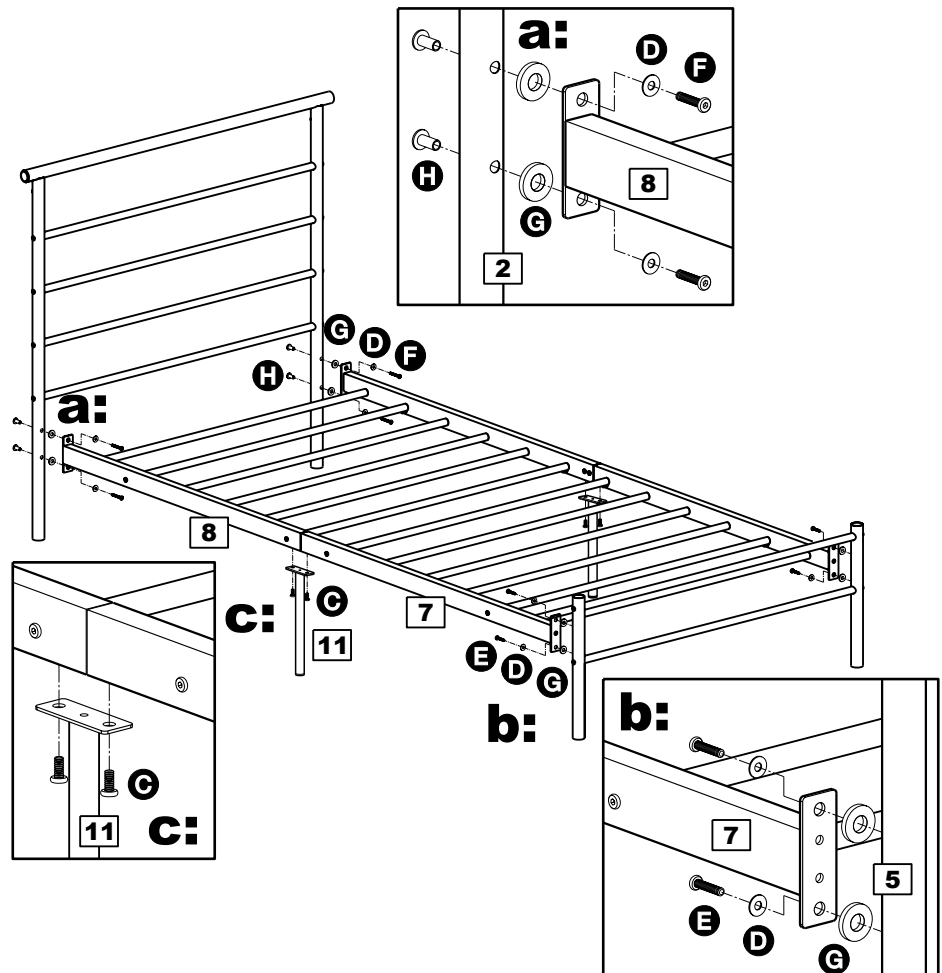
### Assembling main frame

**a:** With help, assemble side rails to the headboard using fixings **F**, **D**, **G** and **H**.

**b:** Assemble the footboard to the side rails using fixings **E**, **D** and **G**.

**c:** Assemble support leg **11** to the underside of the side rail using screws **G**.

Repeat on both sides.



**Assembly is complete.**

If you need help or have damaged or missing parts, call the **Customer Helpline: 08456 400800**  
Home Retail Group, 489-499 Avebury Boulevard, Saxon Gate West, Central Milton Keynes, MK9 2NW