

# Headboard

Assembly Instructions - Please keep for future reference

634/1880

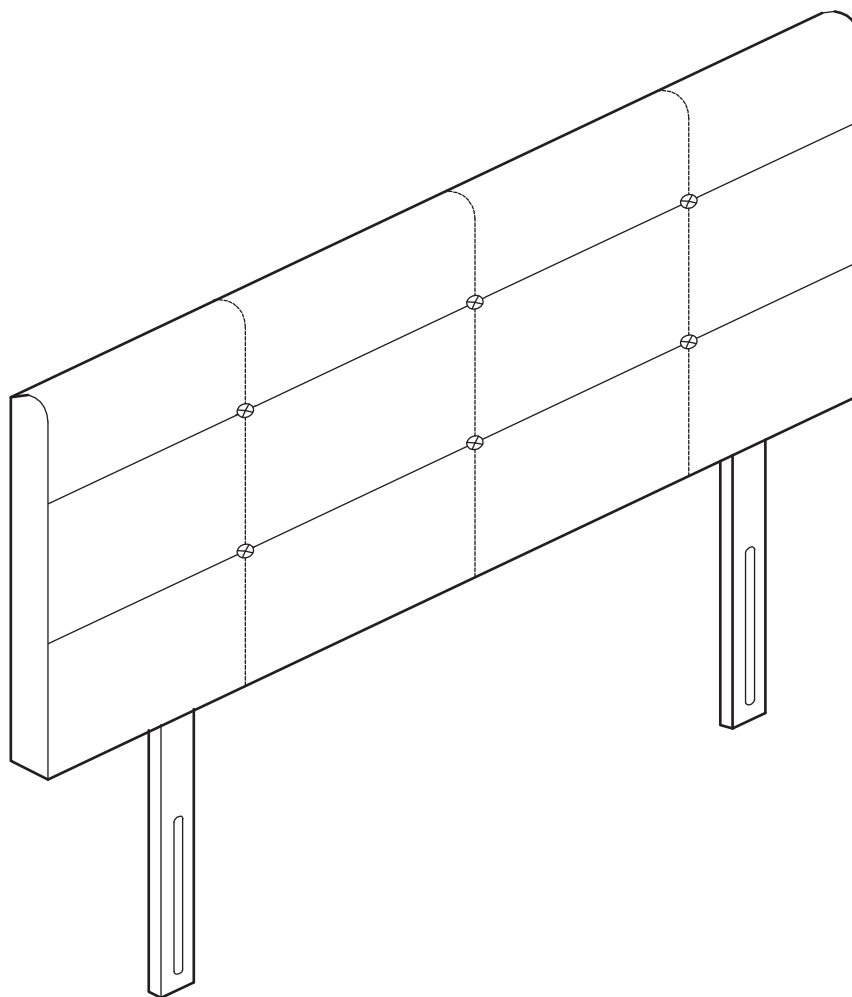
634/1897

634/1907

634/1914

634/1921

634/1938



## Dimensions

Width x Depth x Height

92cm x 6cm x 54/105.5cm (Single)

137cm x 6cm x 54/105.5cm (Double)

**Important** - Please read these instructions fully before starting assembly

If you need help or have damaged or missing parts, call the **Customer Helpline: 01992 450333**



# Safety and Care Advice

**Important** – Please read these instructions fully before starting assembly

- Check you have all the components and tools listed on pages 2 and 3.
- Remove all fittings from the plastic bags and separate them into their groups.
- Keep children and animals away from the work area, small parts could choke if swallowed.
- Make sure you have enough space to layout the parts before starting.

- Assemble the item as close to its final position (in the same room) as possible.
- Assemble on a soft level surface to avoid damaging the unit or your floor.
- Assembly requires 2 people.
- Do not fully tighten bolts until the whole bed is assembled. Do not overtighten the nuts to avoid causing damage to the threads.



- We do not recommend the use of power drill/drivers **for inserting bolts and screws**, as this could damage the unit. Only use hand screwdrivers and Allen keys.
- Dispose of all packaging carefully and responsibly.

## Care and maintenance

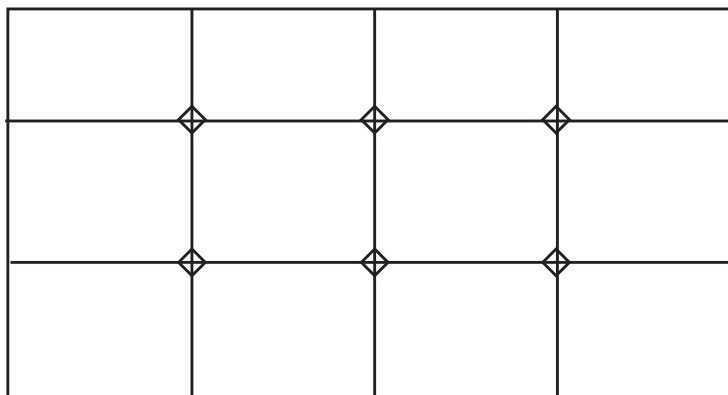
- Only clean using a damp cloth and mild detergent, do not use bleach or abrasive cleaners.
- From time to time check that there are no loose bolts or screws on this unit.
- This product should not be discarded with household waste. Take to your local authority waste disposal centre.

**Note:** if required the next page can be cut out and used as reference throughout the assembly. Keep this page with these instructions for future reference.

# Components

If you have damaged or missing components,  
call the **Customer Helpline: 01992 450333**

Please check you have all the parts listed below



**1** Headboard



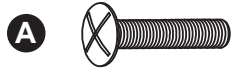
**2** Support arms x 2



# Components - Fittings

Please check you have all the fittings listed below

**Note:** The quantities below are the correct amount to complete the assembly. In some cases more fittings may be supplied than are required.

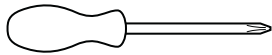


M8 Bolt x 4



M8 Flat washer x 4

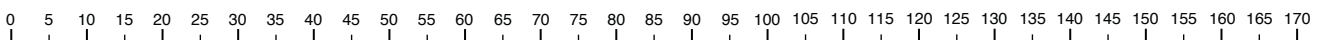
## Tools required



Phillips screwdriver



**Ruler - Use this ruler to help correctly identify the screws**



# Assembly Instructions

## Attaching support arms

Attach the two support arms **2** to the rear of the headboard **1** using bolts **A** and washers **B** as shown.

Assembly is complete.

