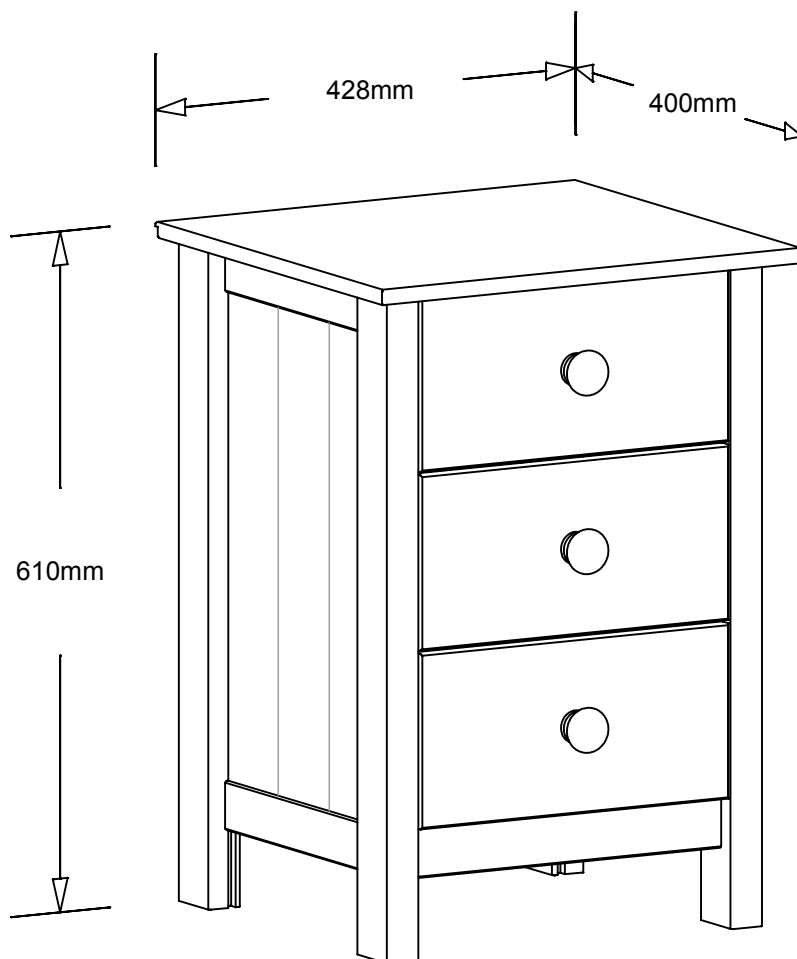


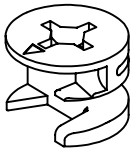

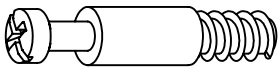
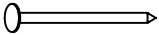


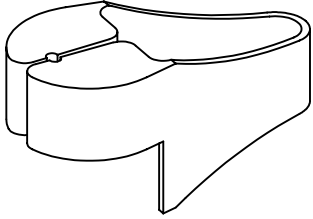
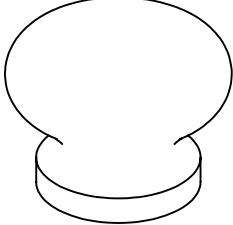
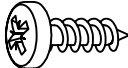
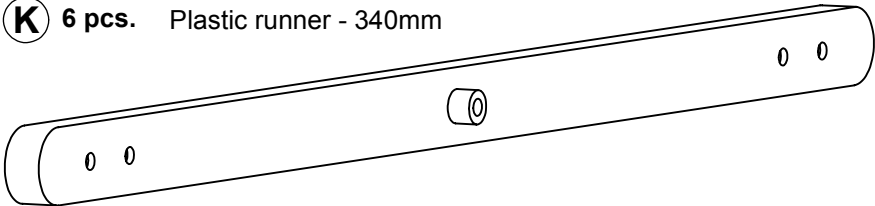
Scandinavia

3 drw. bedside chest



Please sort out all parts before you begin to assemble the item.
This to make sure you always use the correct part.

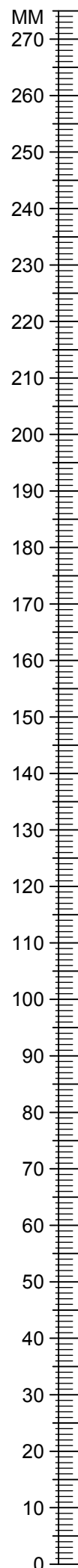
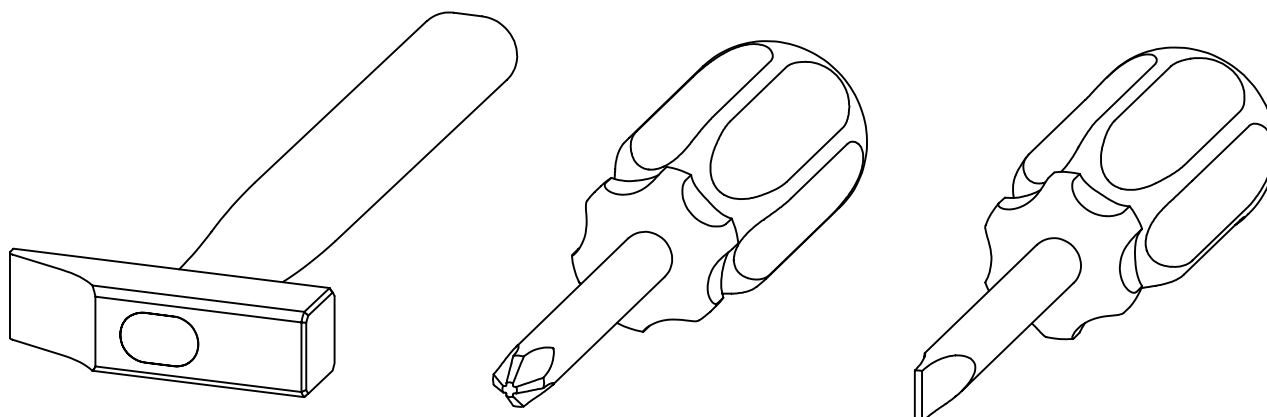
Fittings contained in the box.

<p>A 6 pcs. Cam - $\varnothing 15 \times 12\text{mm}$</p> 	<p>B 12 pcs. Cam - $\varnothing 12 \times 10,5\text{mm}$</p> 	<p>C 18 pcs. Bolt - $\varnothing 6,5 \times 24/11\text{mm}$</p> 
<p>D 20 pcs. Nail - $1,2 \times 20\text{mm}$</p> 	<p>E 15 pcs. Screw - $\varnothing 3,5 \times 35\text{mm}$</p> 	<p>F 2 pcs. Dowel - $\varnothing 6 \times 30\text{mm}$</p> 
<p>G 1 pcs. Nail guide</p> 	<p>H 3 pcs. Knob - $\varnothing 40 \times 30\text{mm}$</p> 	<p>J 18 pcs. Screw - $\varnothing 4 \times 13\text{mm}$</p> 
<p>K 6 pcs. Plastic runner - 340mm</p> 		

Fittings A, B, C, D, E, F and H are shown in their actual dimensions.

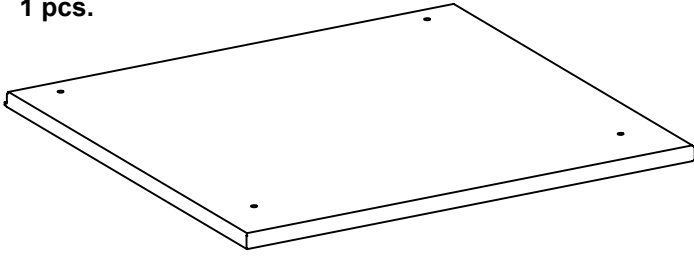
Hazard Warning !
Keep small components out of the reach of children.

Tools needed.

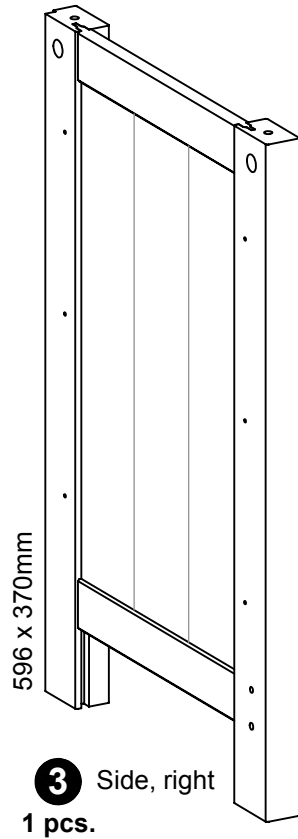
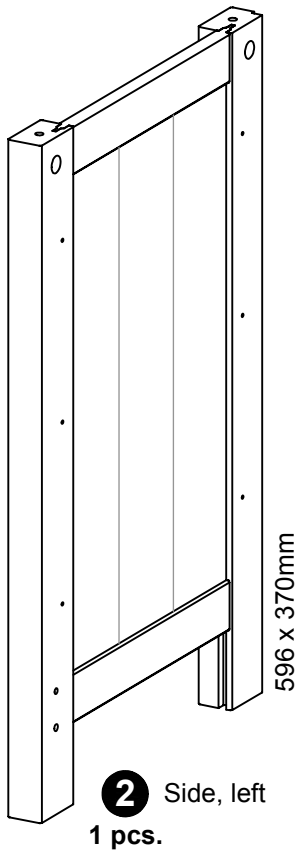
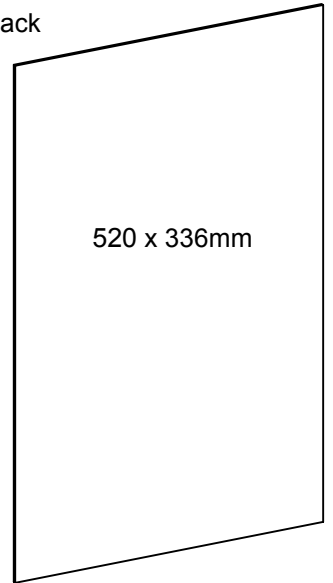


Wooden parts contained in the box.

1 Top 428 x 400mm
1 pcs.

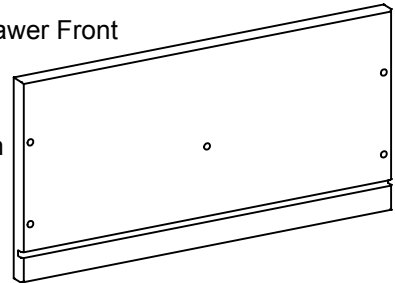


5 Back 520 x 336mm
1 pcs.



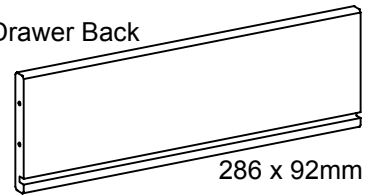
6 Drawer Front
3 pcs.

314 x 157mm

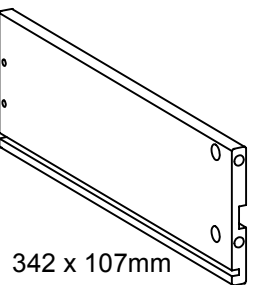


7 Drawer Back
3 pcs.

286 x 92mm



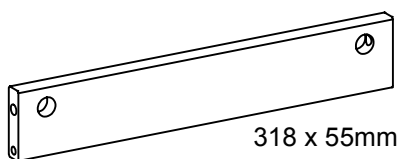
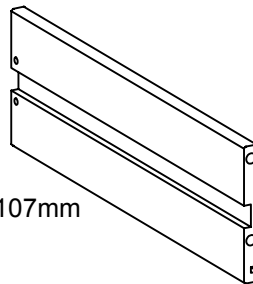
9 Drawer Side, right
3 pcs.



342 x 107mm

8 Drawer Side, left
3 pcs.

342 x 107mm

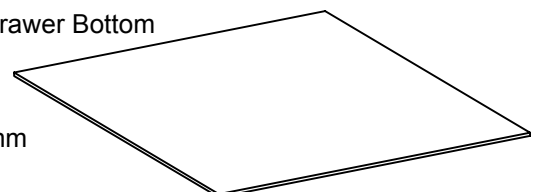


318 x 55mm

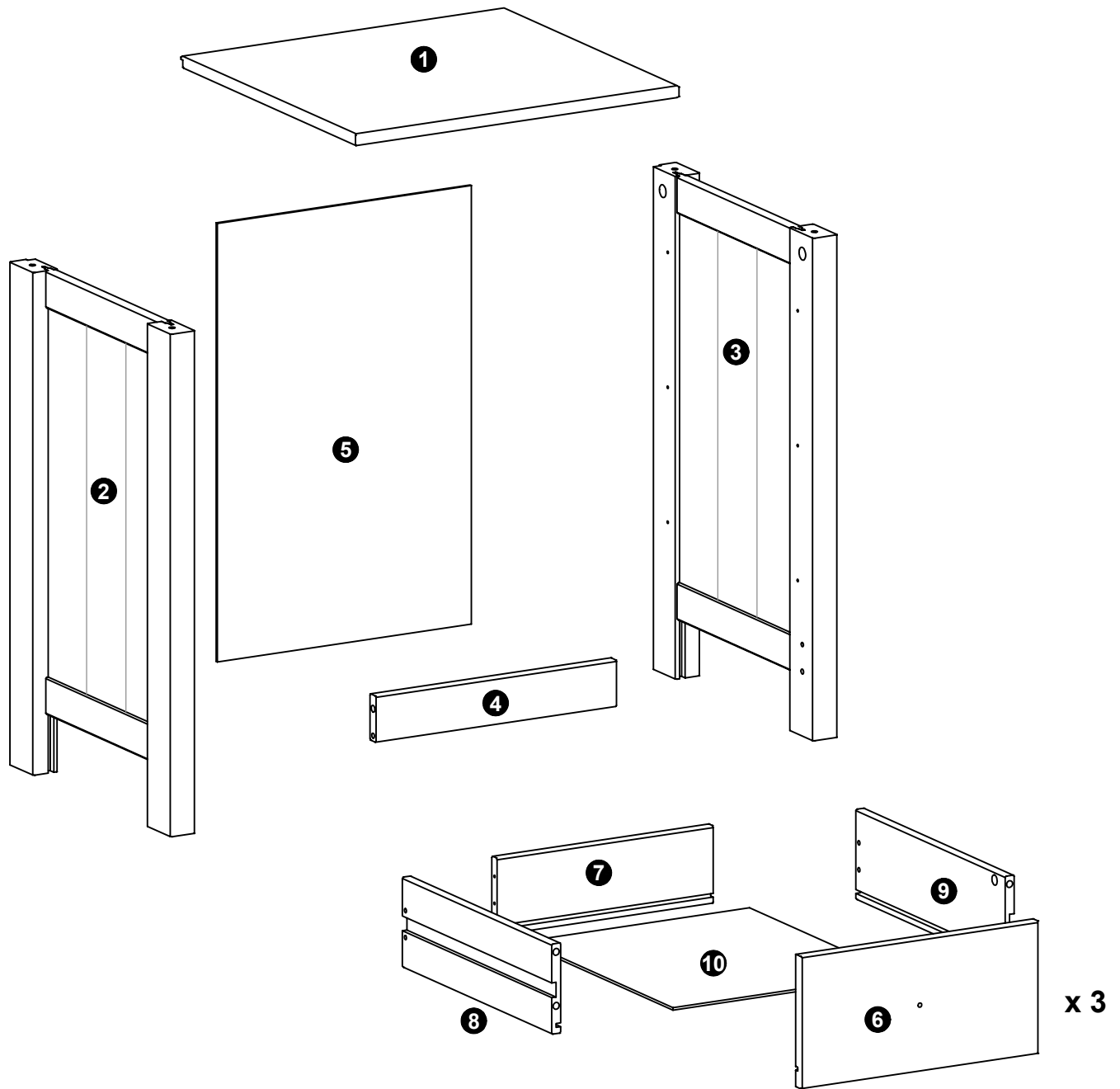
4 Plinth
1 pcs.

10 Drawer Bottom
3 pcs.

297 x 339mm



Key diagram.



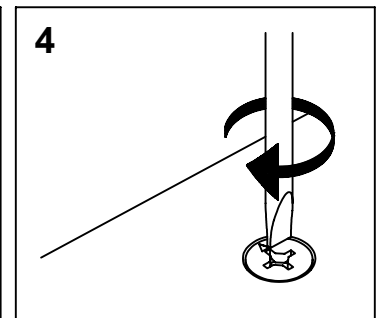
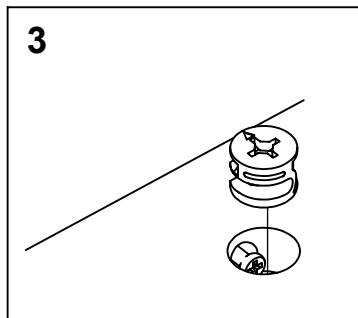
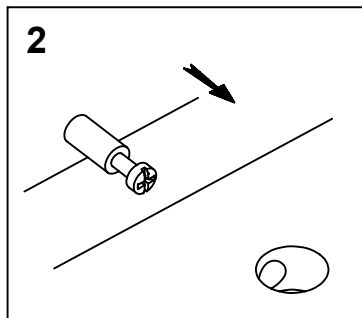
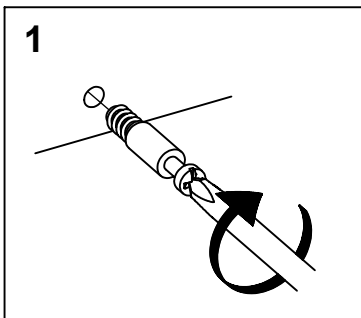
Function of cam & bolt.

Step 1:
Fix the bolt to the
wooden panel.

Step 2:
Push the wooden panel
with the attached bolt onto
the other wooden panel.

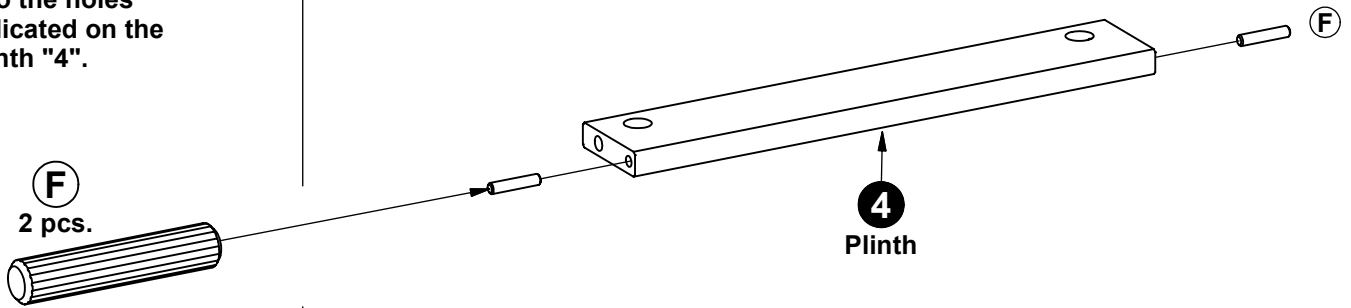
Step 3:
Place the cam into the
hole, arrow pointing
towards the bolt.

Step 4:
Tighten: Turn the cam to
the right.



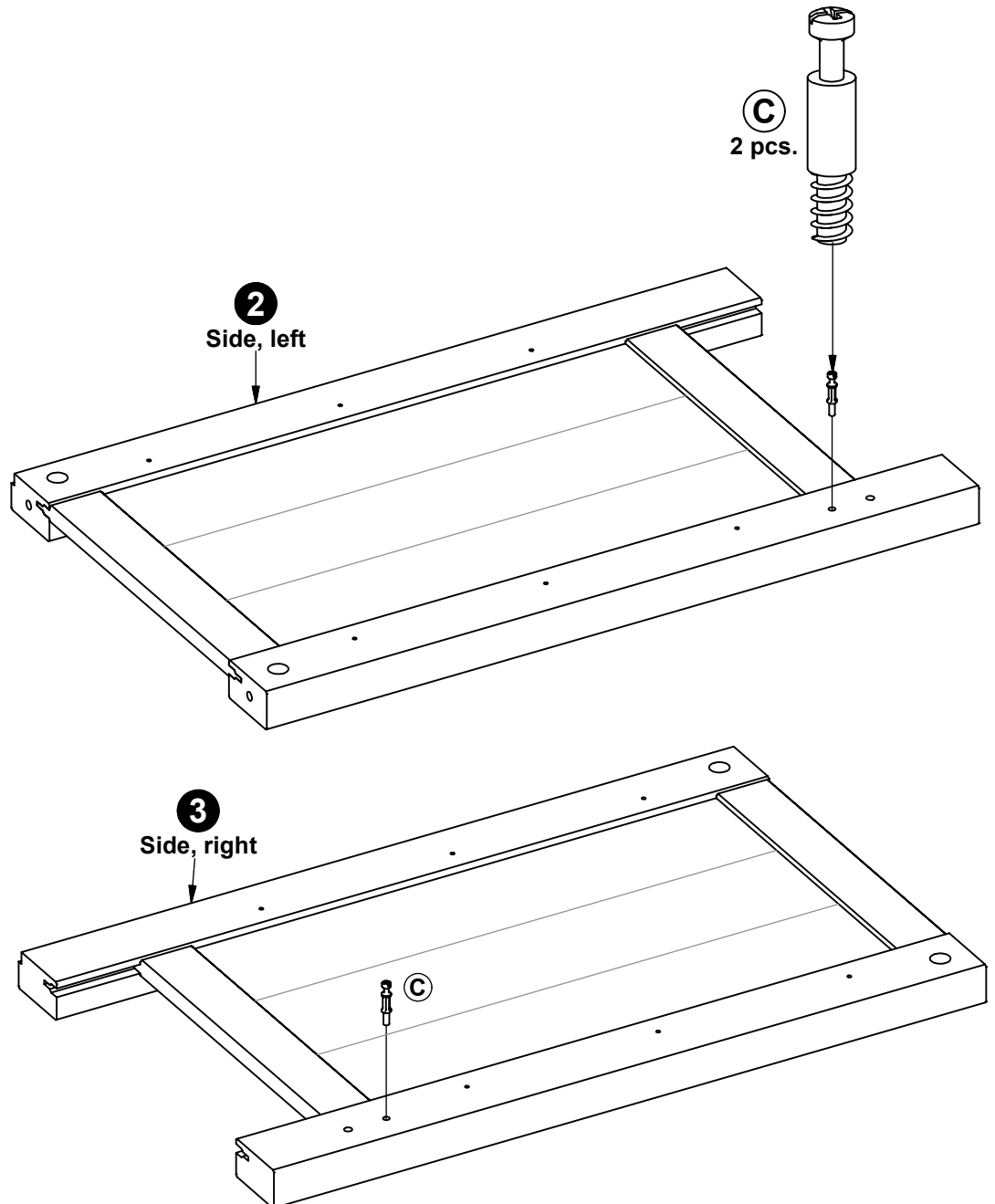
1. Inserting the dowels to the plinth.

Knock the dowels "F" into the holes indicated on the plinth "4".



2. Mounting the bolts to the sides.

Screw the bolts "C" into the holes indicated on the sides "2" and "3".



3. Mounting the plastic runners to the sides.

Fix the plastic runners "K" to the sides "2" and "3", using screws "J".

The dowel should be pointing towards the sides.

Start fixing the ends of the plastic runners to the sides as shown in fig. 3.1

Finally fix the plastic runners using the central holes.

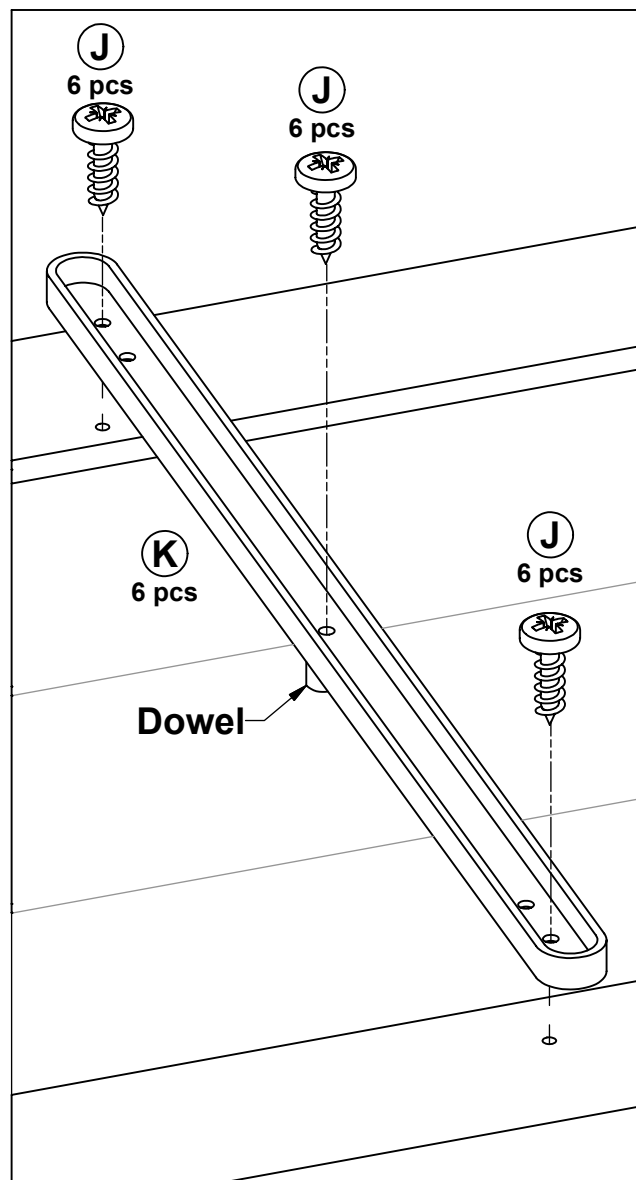
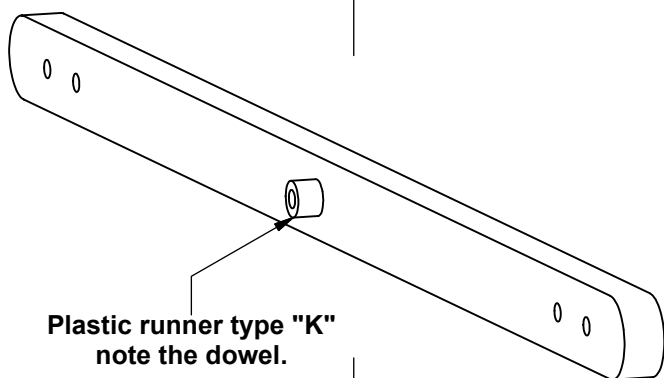
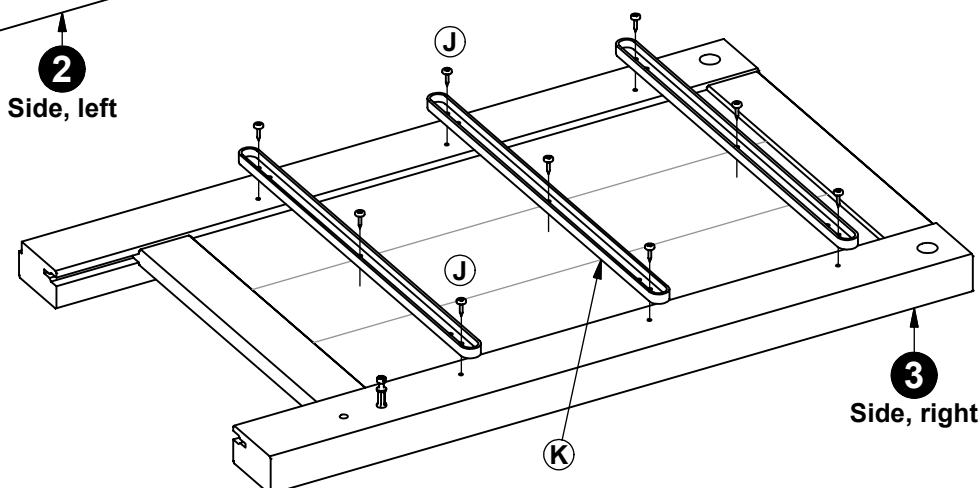
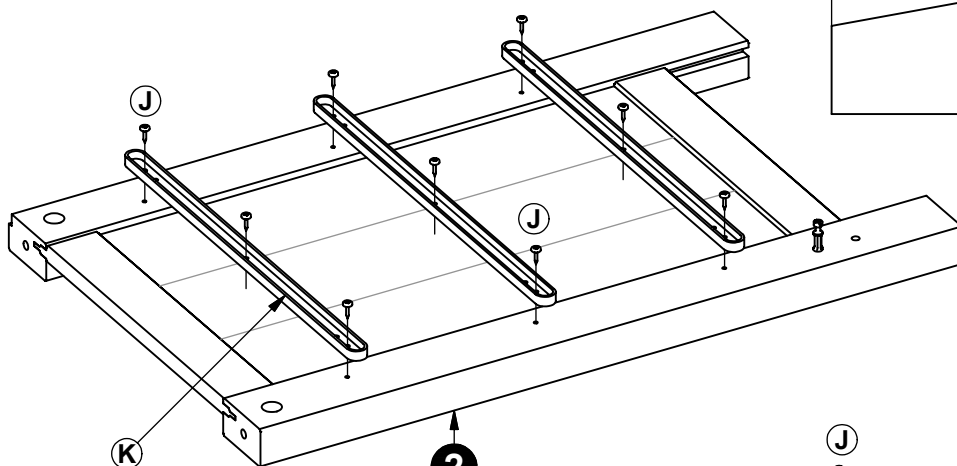


Fig. 3.1



4. Adding the plinth to the right hand side.

Press the plinth "4" onto the side "3".

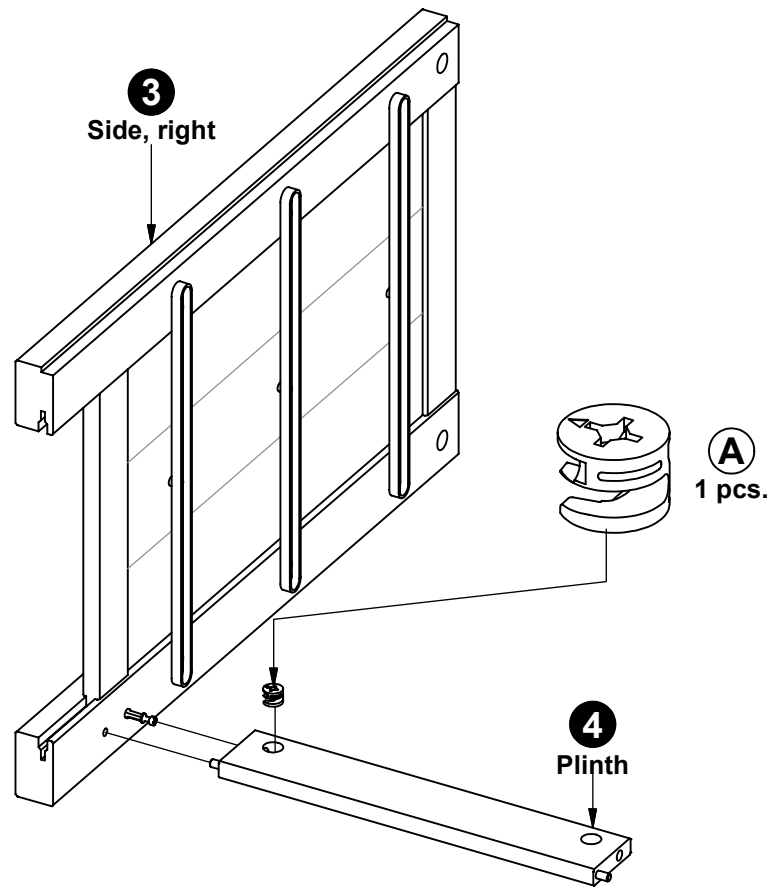
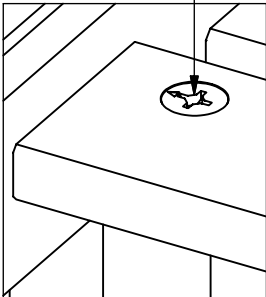
See page 4 "Function of cam and bolt".

Place the cam "A" into the hole indicated, arrow pointing towards the side / bolt.

Tighten:
Turn the cam to the right.
Fig. 4.1



Fig. 4.1



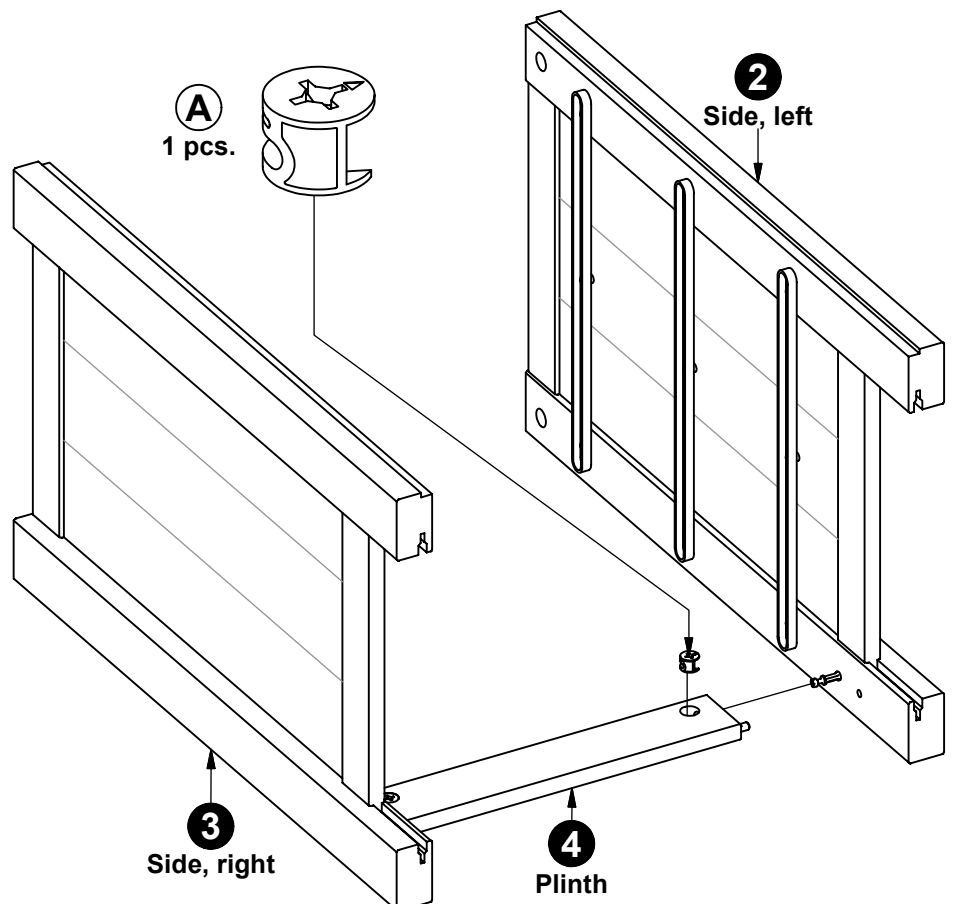
5. Assembling the left hand side to the plinth.

Press the side "2" onto the plinth "4".

See page 4 "Function of cam & bolt".

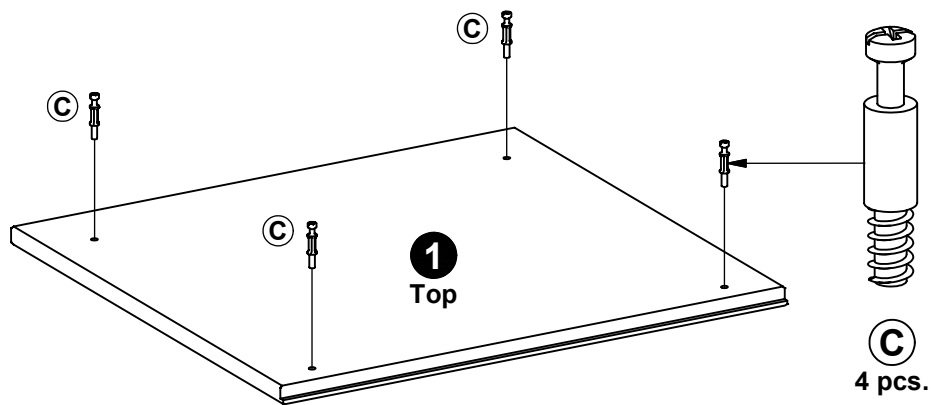
Place the cam "A" into the hole indicated, arrow pointing towards the side / bolt.

Tighten:
Turn the cam to the right.
Fig. 4.1



6. Mounting the bolts to the top.

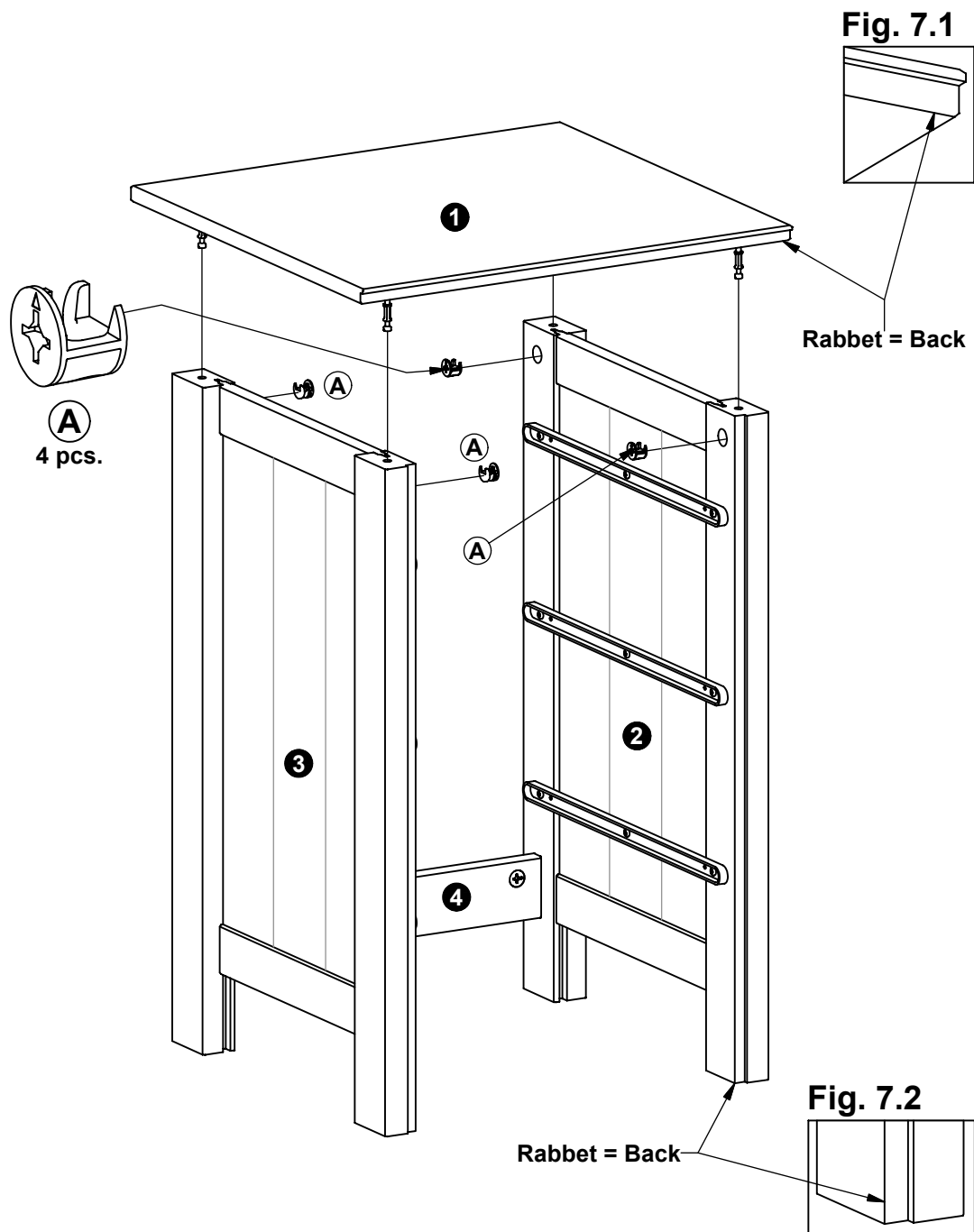
Screw the bolts "C" into the holes indicated on the top "1".



7. Assembling the top to the sides.

Lower the top "1" onto the sides "2" and "3".

See page 4 "Function of cam and bolt".



Place the cams "A" into the holes indicated, arrows pointing towards the bolts.

Tighten:
Turn the cams to the right.

8. Nailing the back to the top.

Place the back into the rabbet of the top "1" and the side "3". See fig. 8.1

Ensure that there is **NO GAP** between the right hand side "3" and the back "5", **NOR** between the top and the back.

Fasten the back with nails "D" along the top. Use the nail guide "G" as shown. Fig. 8.2

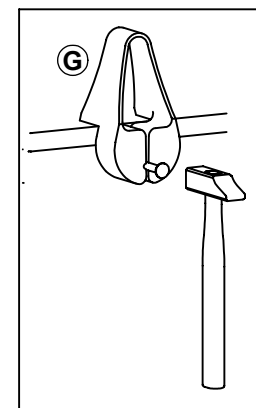
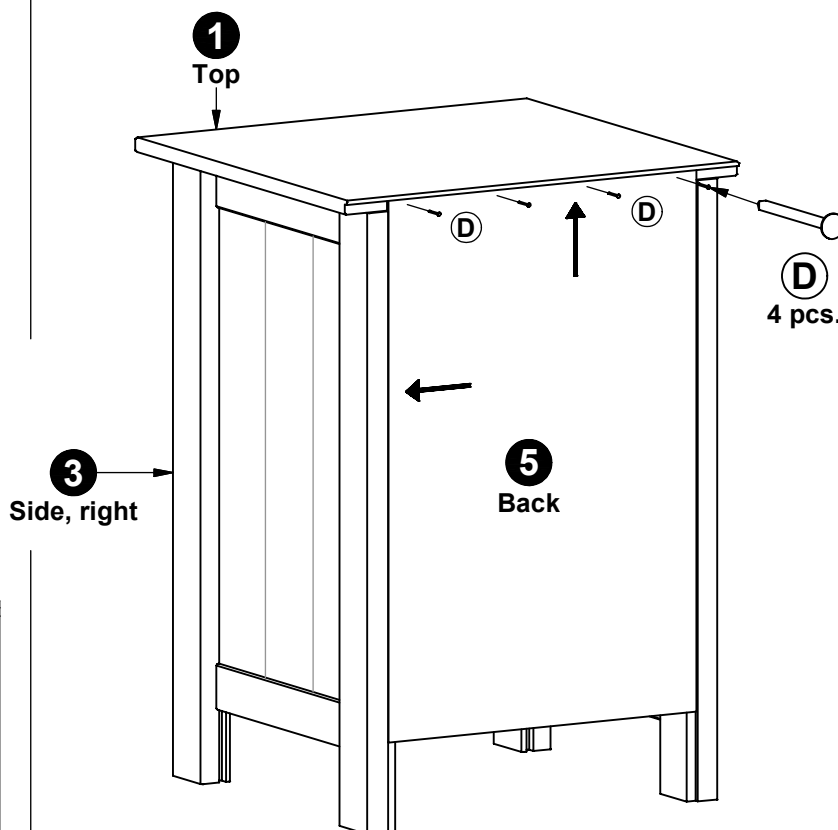
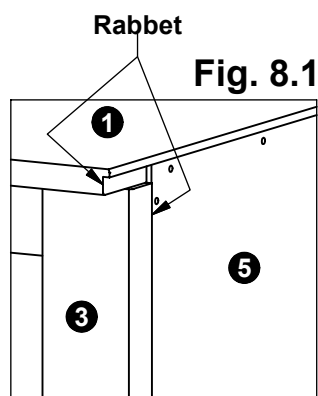


Fig. 8.2

9. Nailing the back to the sides.

The angle between the top and the side must be 90 degrees. Fig. 9.1

To accomplish this, ensure that there is **NO GAP** between the right hand side "3" and the back "5".

Fasten the back with nails "D" along the sides. Use the nail guide as shown. Fig. 9.2

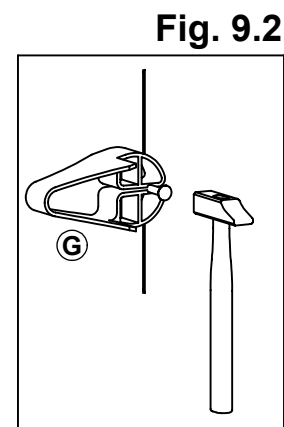
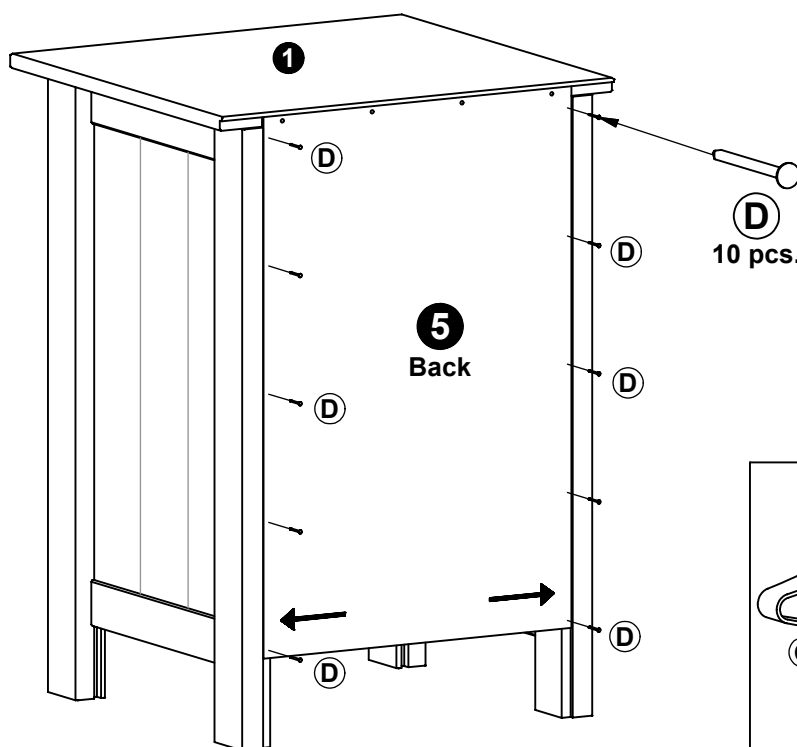
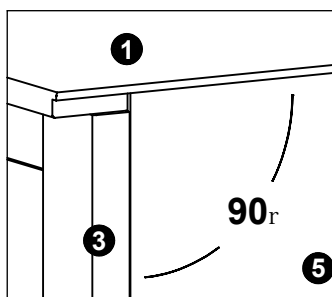


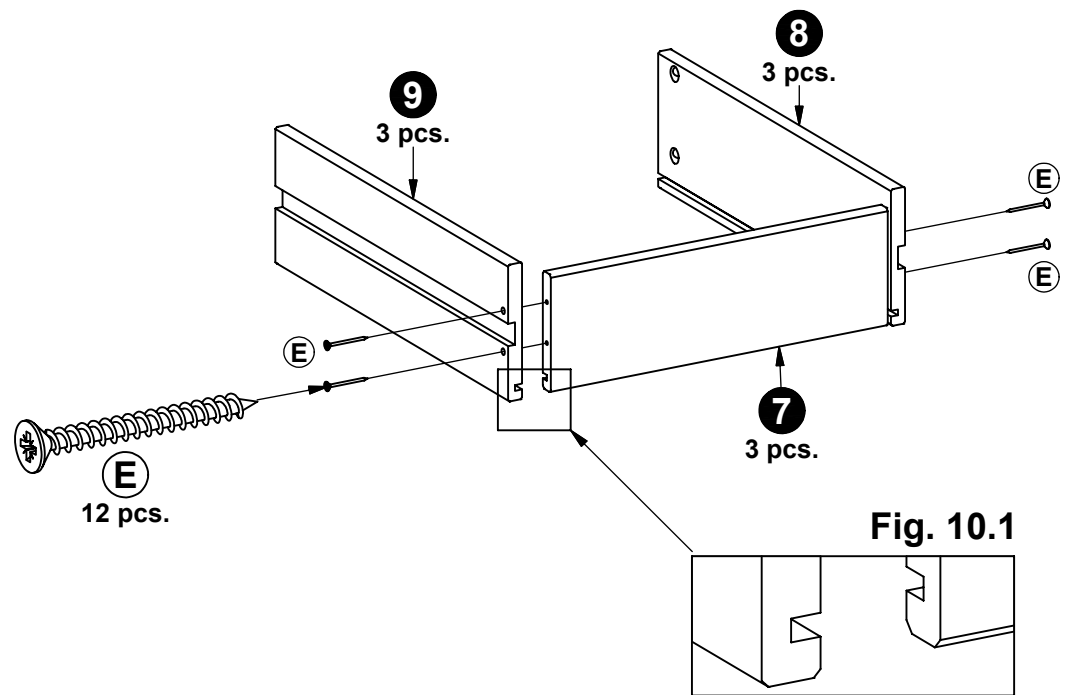
Fig. 9.2

10. Mounting the drawer sides to the drawer back.

Fix the drawer sides "8" and "9" to the drawer back "7" using screws "E".

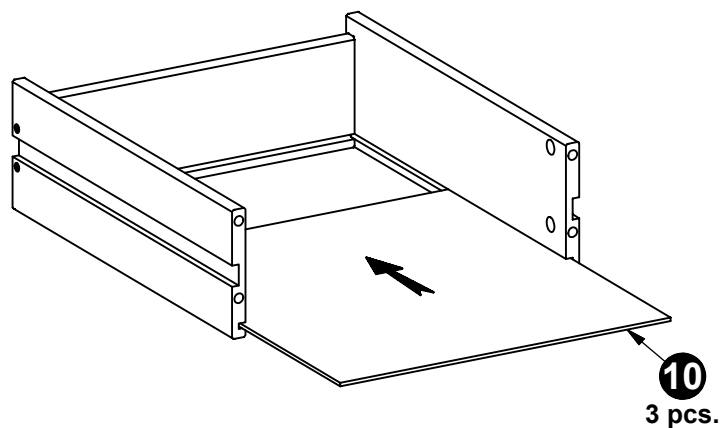
The grooves of the drawer sides and back should be turned exactly as shown.

See fig. 10.1.



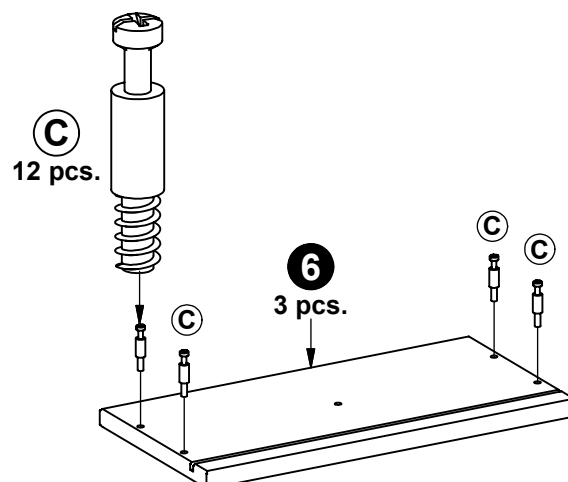
11. Sliding the drawer bottom into the drawer frame.

Slide the drawer bottom "10" into the grooves of the drawer frame.



12. Mounting the bolts to the drawer front.

Screw the bolts "C" into the holes indicated on the drawer front "6".



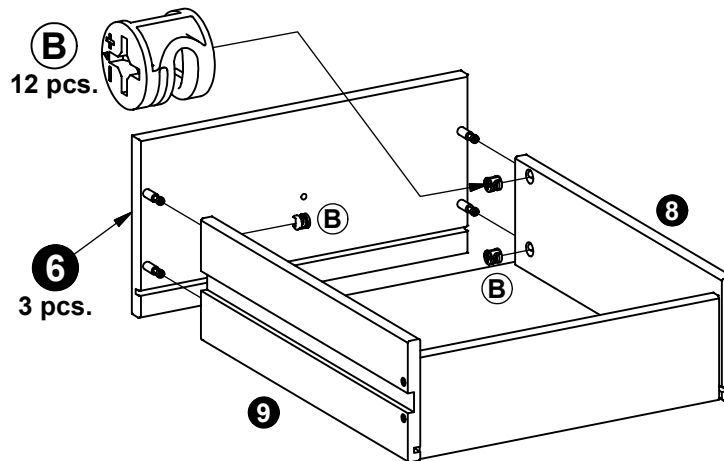
13. Adding the drawer front to the drawer frame.

Press the drawer front "6" onto the drawer sides "8" and "9".

Place the cams "B" into the holes indicated, arrows pointing towards the bolts.

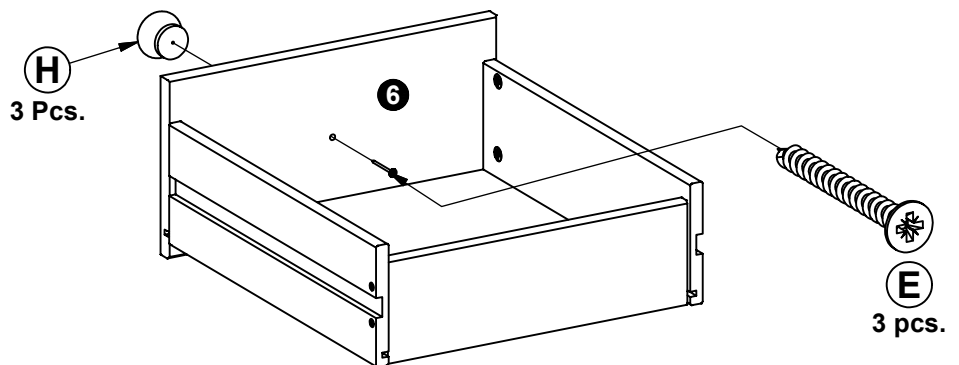
Tighten:
Turn the cam to the right.

"Function of cam & bolt"
see page 4.



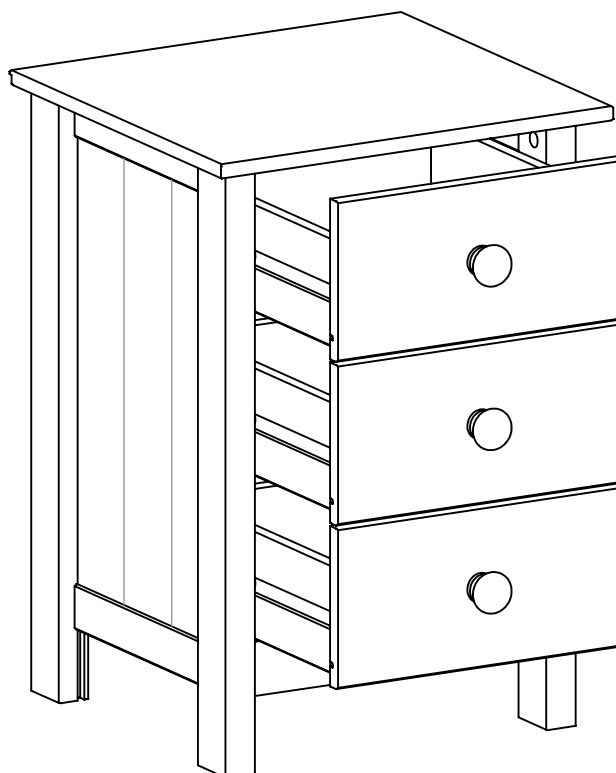
14. Mounting the knobs to the drawer front.

Fix the knobs "H" to the drawer front using screws "E".



15. Adding the drawers to the carcass.

Slide the drawers onto the plastic runners.



Dear Customer.

Please note that the product you have purchased is a natural living timber.

Just like nature itself, wood varies in shape and colour. Knots, vein patterns, resin pockets and colour differences contribute to giving the piece of furniture its beauty and form - a natural part of solid wood.

Although the tree has been cut down and dried, it is still alive and therefore will react to high and low temperatures, light, humidity, drought and time.

In cold and dry periods, the wood contracts which may lead to small cracks in the piece of furniture. The reverse happens in warm and humid periods where the wood expands and this may result in slight unevenness.

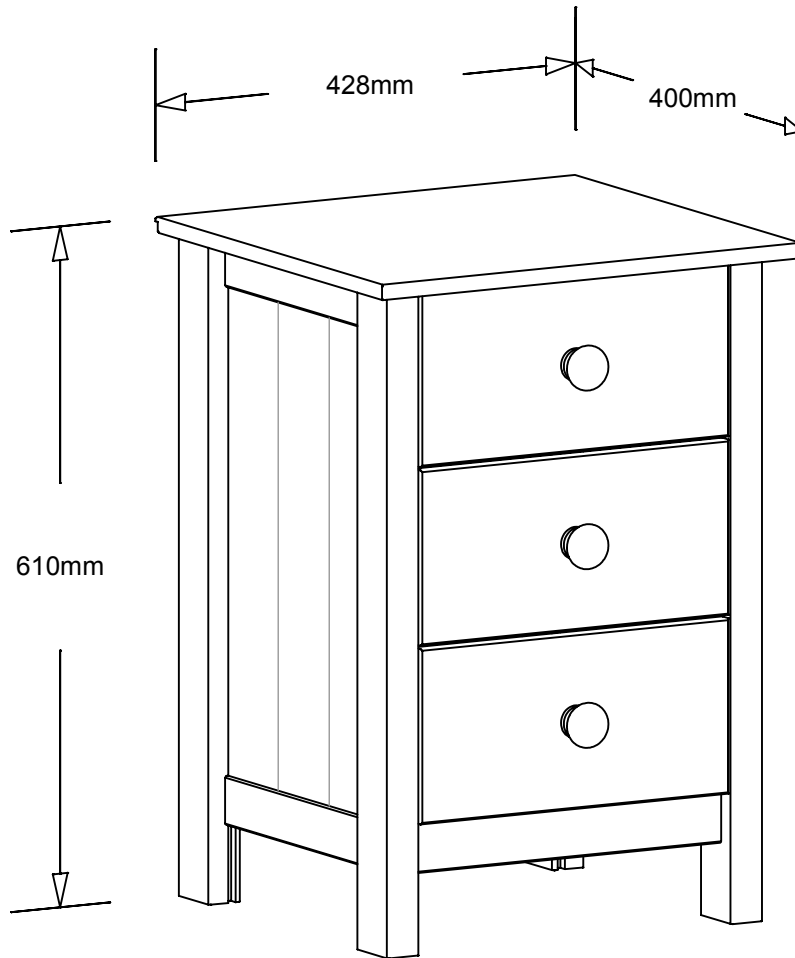
The colour of the wood also changes with time, particularly if the furniture is placed in a light place. This is a natural process and part of owning a piece of furniture made of solid wood.

Any flexing that has occurred during transport will re-correct it self once this product is correctly assembled.

Tighten all joints of the furniture after six months.

Please keep these instructions in a safe place for future use.

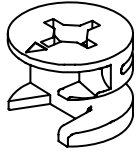
3 DRW. BEDSIDE CHEST



Please sort out all parts before you begin to assemble the item.
This to make sure you always use the correct part.

Fittings contained in the box.

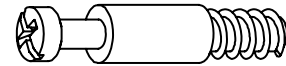
A 6 pcs. Cam - $\varnothing 15 \times 12\text{mm}$



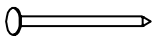
B 12 pcs. Cam - $\varnothing 12 \times 10,5\text{mm}$



C 18 pcs. Bolt - $\varnothing 6,5 \times 24/11\text{mm}$



D 20 pcs. Nail - $1,2 \times 20\text{mm}$



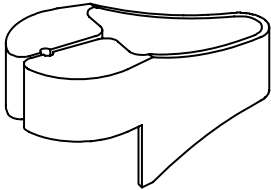
E 15 pcs. Screw - $\varnothing 3,5 \times 35\text{mm}$



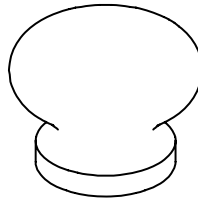
F 2 pcs. Dowel - $\varnothing 6 \times 30\text{mm}$



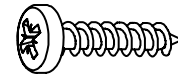
G 1 pcs. Nail guide



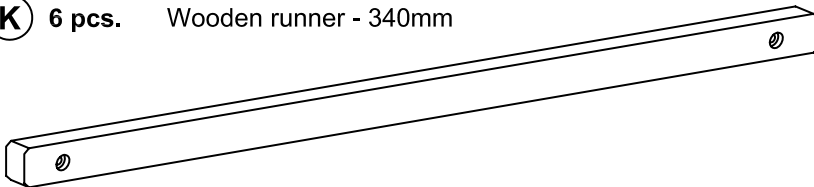
H 3 pcs. Knob - $\varnothing 40 \times 30\text{mm}$



J 12 pcs. Screw - $\varnothing 4 \times 20\text{mm}$



K 6 pcs. Wooden runner - 340mm

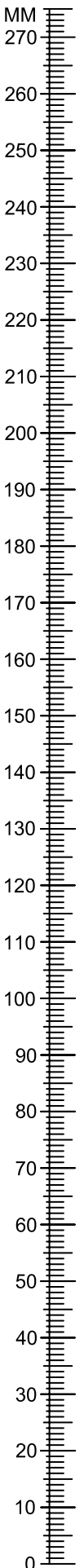
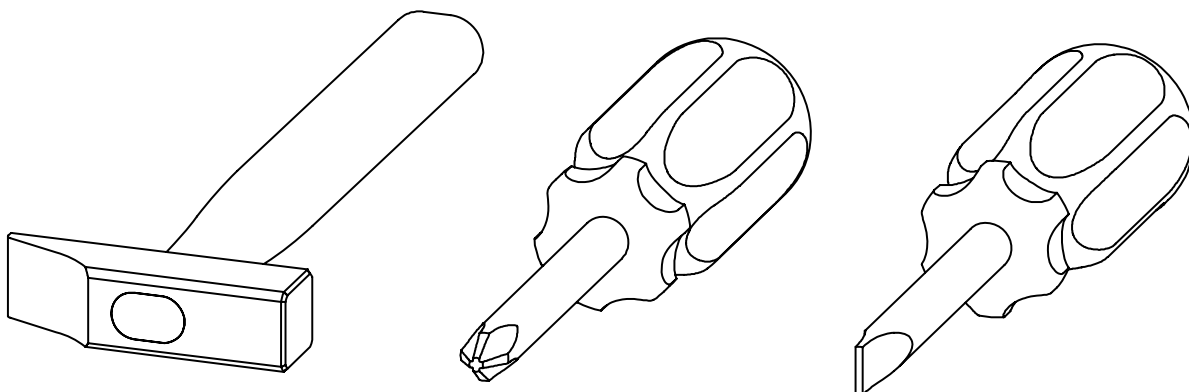


Fittings A, B, C, D, E, F and H are shown in their actual dimensions.

Hazard Warning !

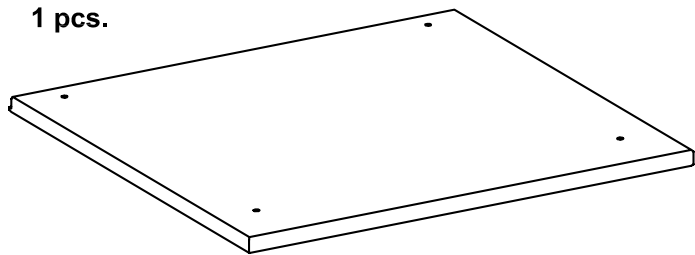
Keep small components out of the reach of children.

Tools needed.

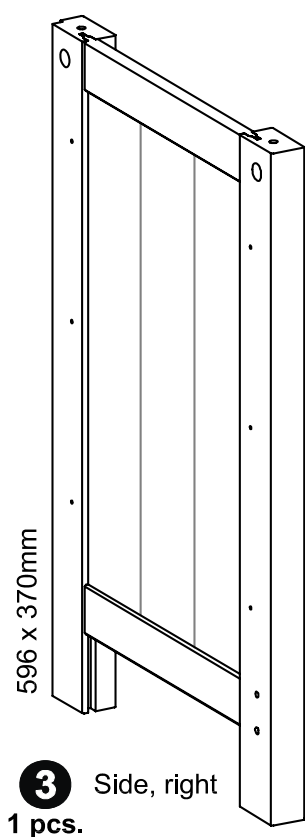
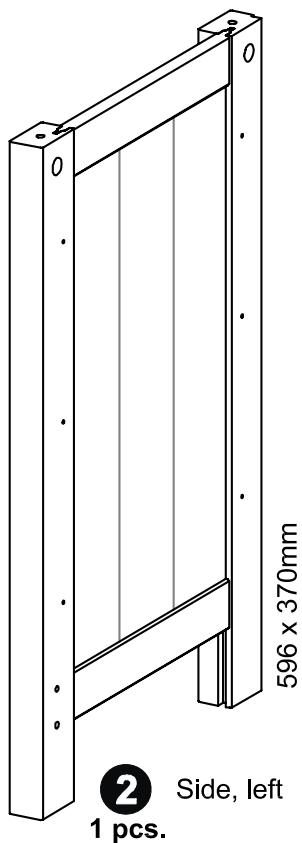
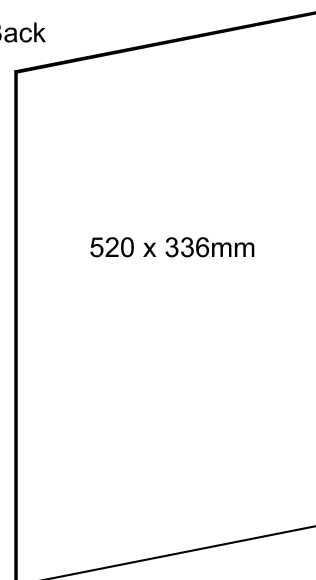


Wooden parts contained in the box.

1 Top 428 x 400mm
1 pcs.

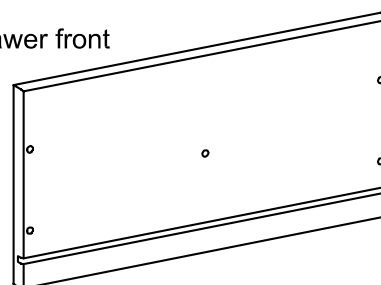


5 Back 520 x 336mm
1 pcs.



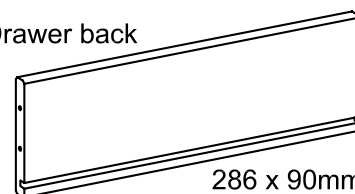
6 Drawer front
3 pcs.

314 x 157mm

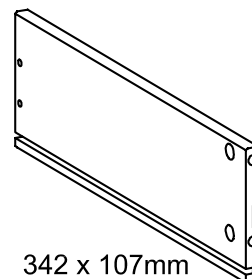


7 Drawer back
3 pcs.

286 x 90mm

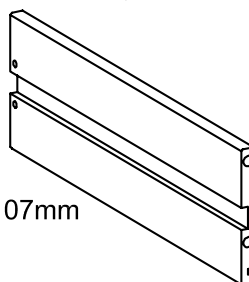


9 Drawer side, right
3 pcs.



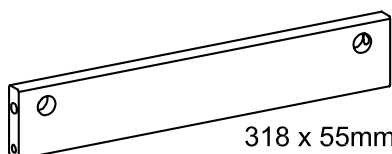
8 Drawer side, left
3 pcs.

342 x 107mm



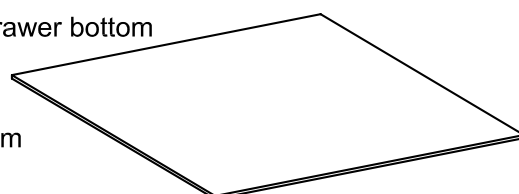
4 Plinth
1 pcs.

318 x 55mm

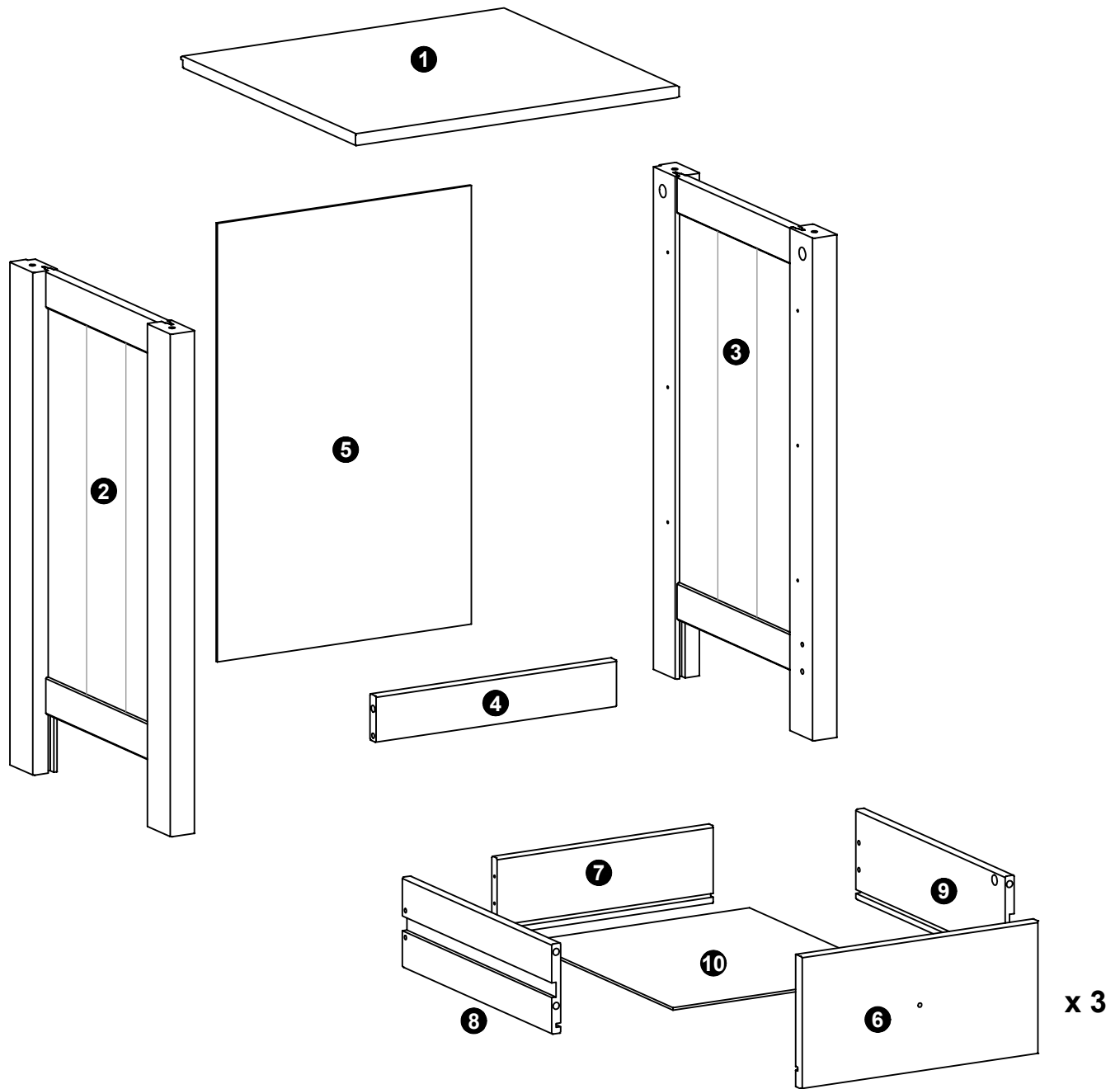


10 Drawer bottom
3 pcs.

297 x 339mm



Key diagram.



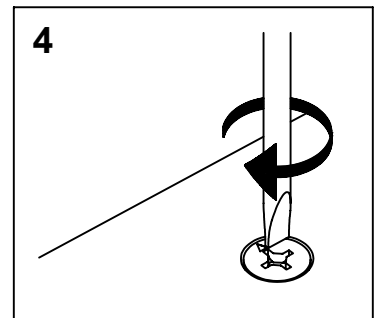
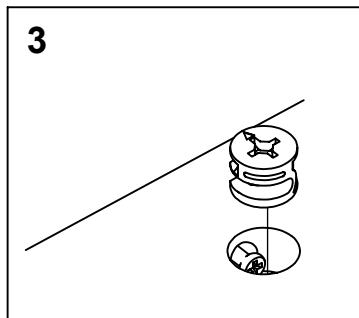
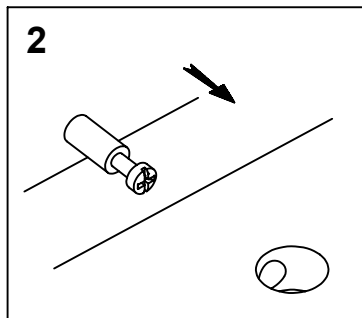
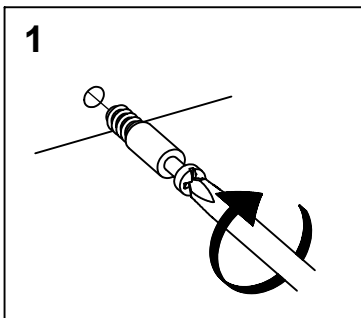
Function of cam & bolt.

Step 1:
Fix the bolt to the
wooden panel.

Step 2:
Push the wooden panel
with the attached bolt onto
the other wooden panel.

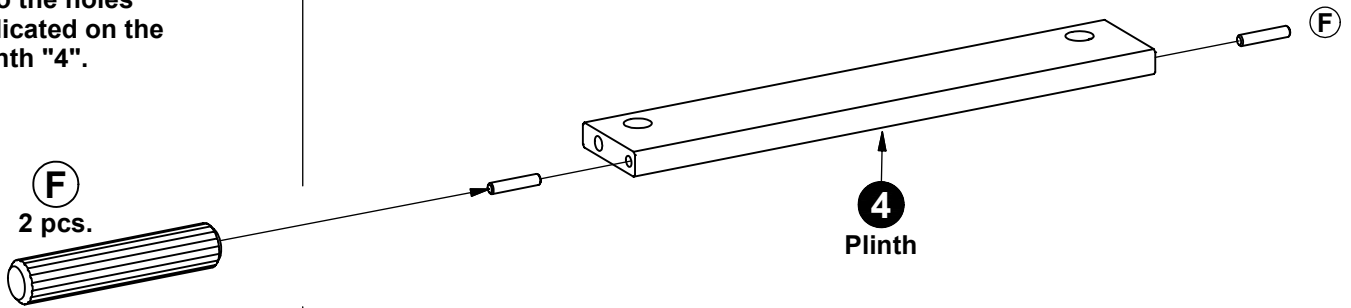
Step 3:
Place the cam into the
hole, arrow pointing
towards the bolt.

Step 4:
Tighten: Turn the cam to
the right.



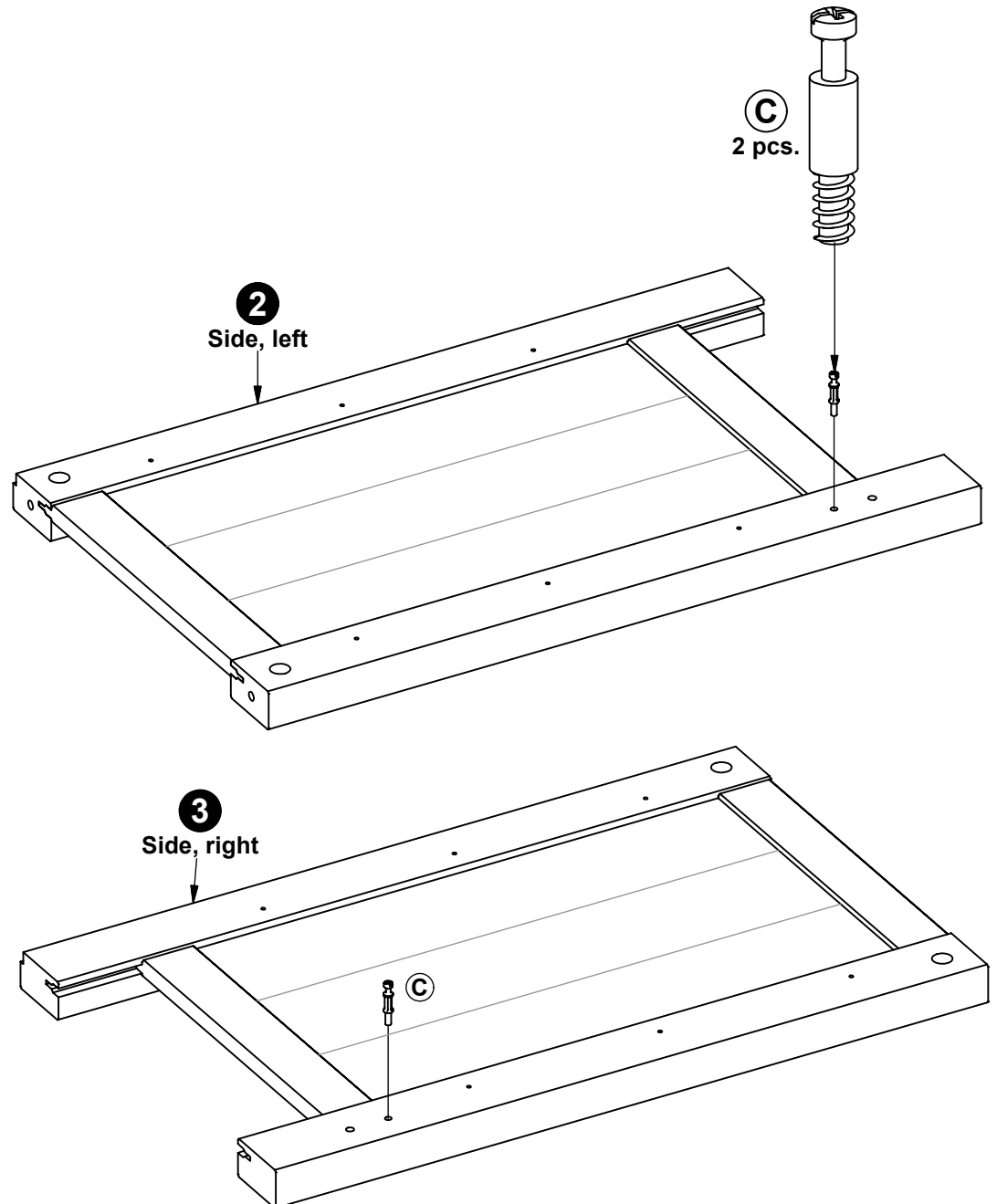
1. Inserting the dowels to the plinth.

Knock the dowels "F" into the holes indicated on the plinth "4".



2. Mounting the bolts to the sides.

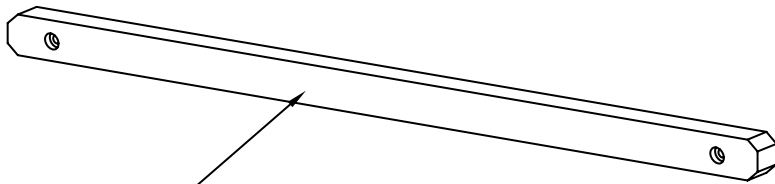
Screw the bolts "C" into the holes indicated on the sides "2" and "3".



3. Mounting the wooden runners to the sides.

Fix the wood runners "K" to the sides "2" and "3", using screws "J" through the holes indicated.

See fig 3.1



Wood runner "K"

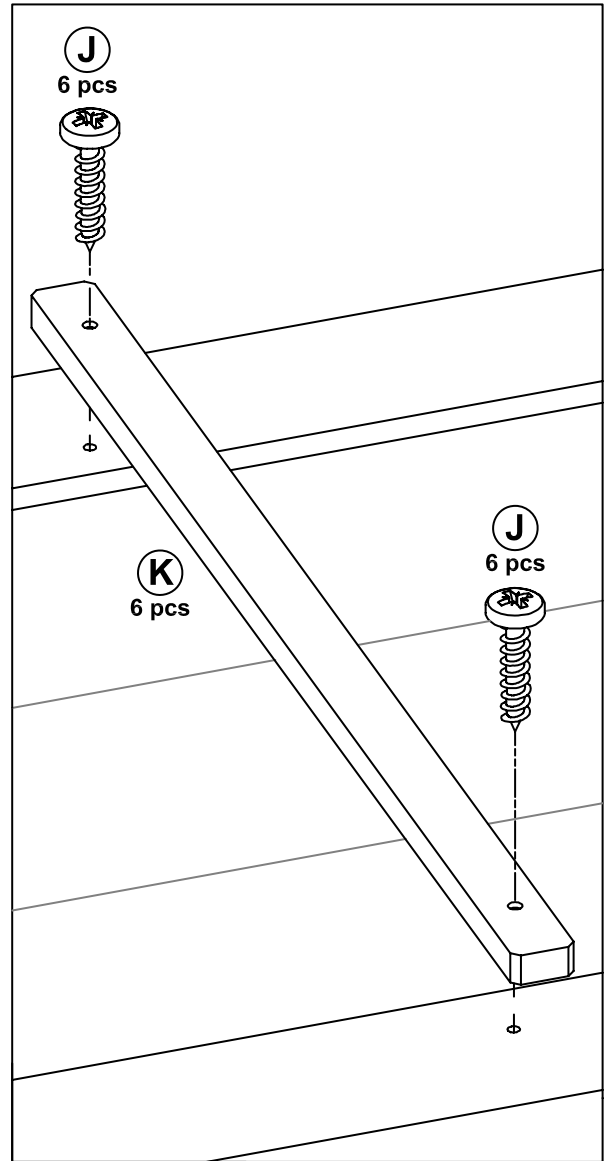
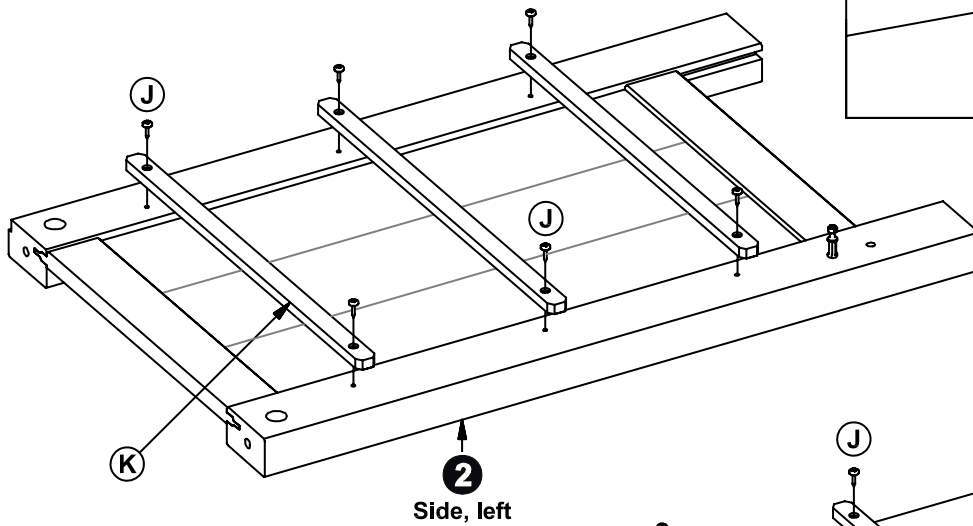
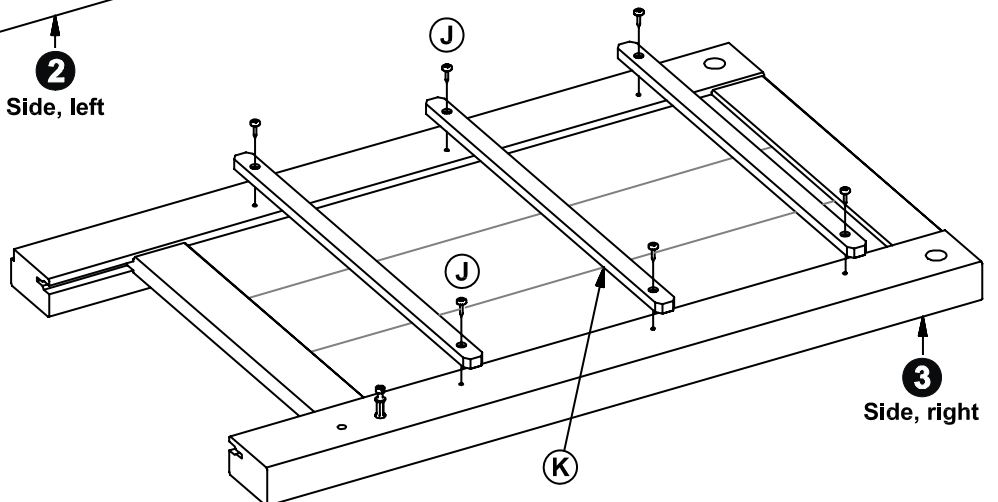


Fig. 3.1



Side, left



Side, right

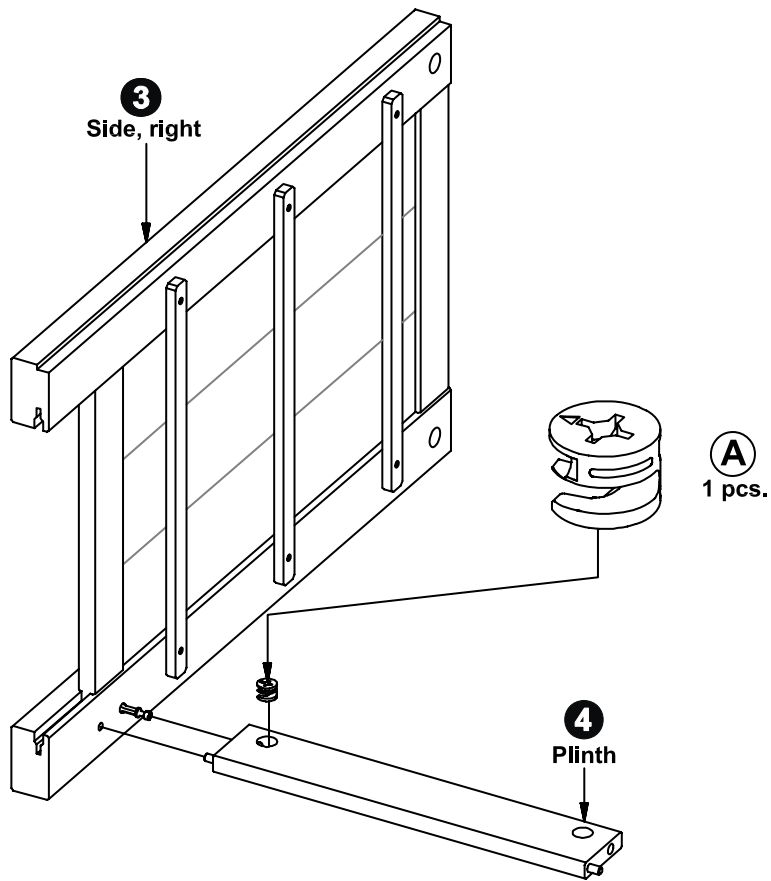
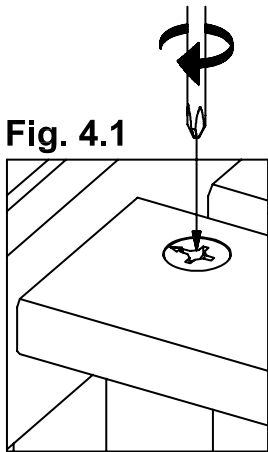
4. Adding the plinth to the right hand side.

Press the plinth "4" onto the side "3".

See page 4 "Function of cam and bolt".

Place the cam "A" into the hole indicated, arrow pointing towards the side / bolt.

Tighten:
Turn the cam to the right.
Fig. 4.1



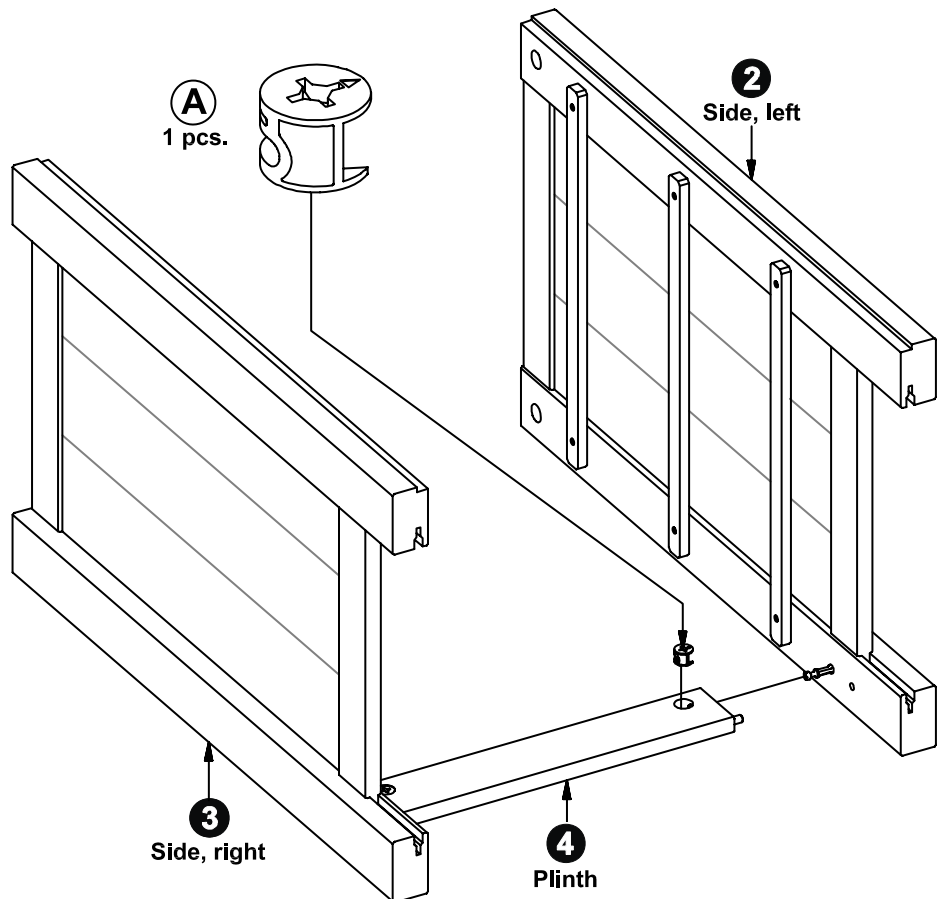
5. Assembling the left hand side to the plinth.

Press the side "2" onto the plinth "4".

See page 4 "Function of cam and bolt".

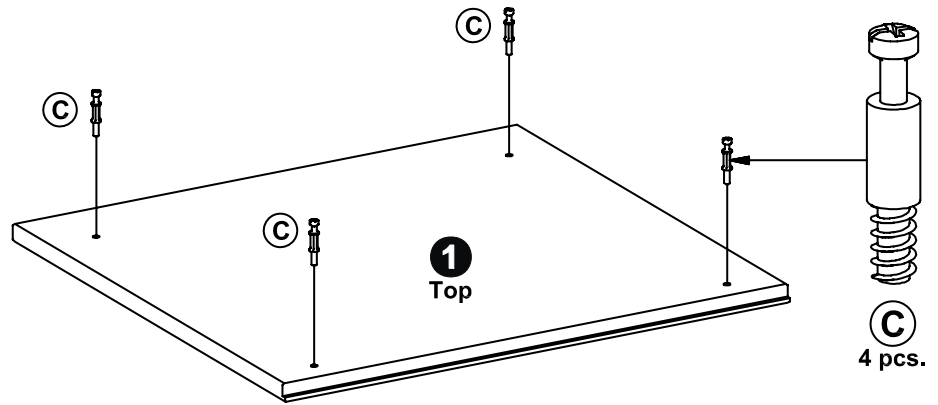
Place the cam "A" into the hole indicated, arrow pointing towards the side / bolt.

Tighten:
Turn the cam to the right.
Fig. 4.1



6. Mounting the bolts to the top.

Screw the bolts "C" into the holes indicated on the top "1".



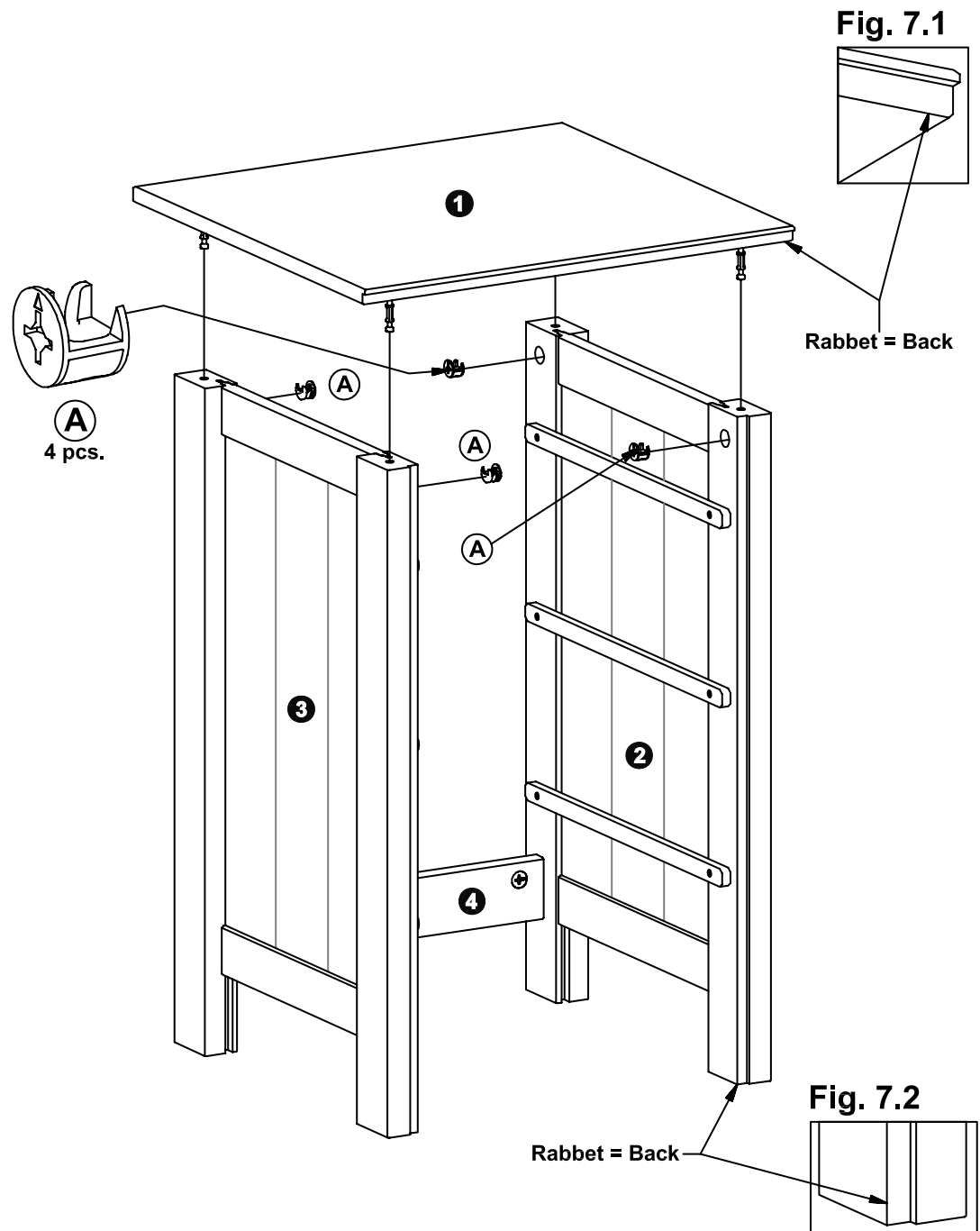
7. Assembling the top to the sides.

Lower the top "1" onto the sides "2" and "3".

See page 4 "Function of cam and bolt".

Place the cam "A" into the holes indicated, arrows pointing towards the bolts.

Tighten:
Turn the cam to the right.



8. Nailing the back to the top.

Place the back into the rabbet of the top "1" and the side "3". See fig. 8.1

Ensure that there is **NO GAP** between the right hand side "3" and the back "5", **NOR** between the top and the back.

Fasten the back with nails "D" along the top. Use the nail guide "G" as shown. Fig. 8.2

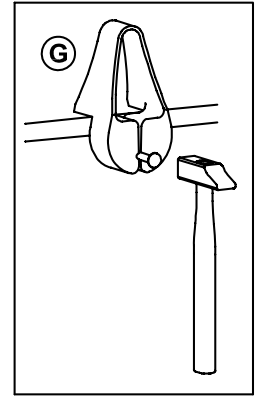
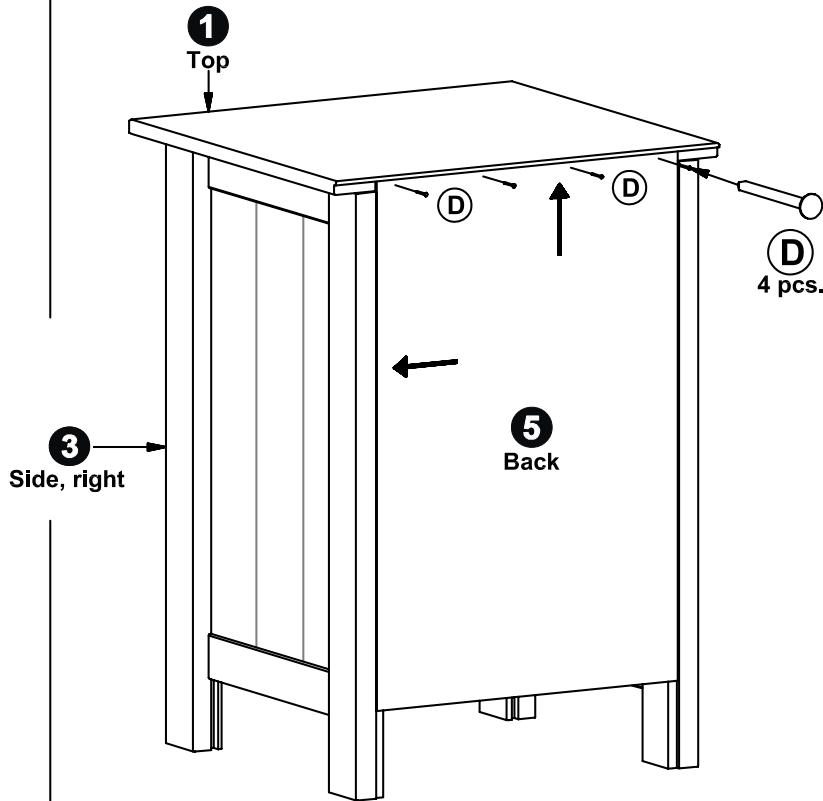
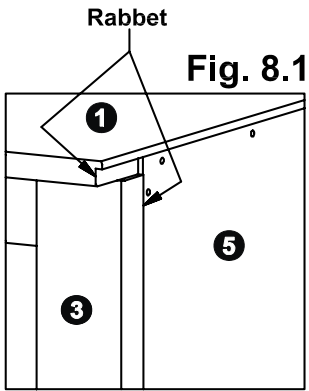


Fig. 8.2

9. Nailing the back to the sides.

The angle between the top and the side must be 90 degrees. Fig. 9.1

To accomplish this, ensure that there is **NO GAP** between the right hand side "3" and the back "5".

Fasten the back with nails "D" along the top. Use the nail guide as shown. Fig. 9.2

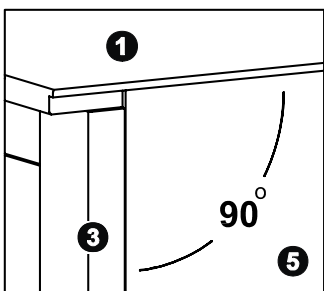


Fig. 9.1

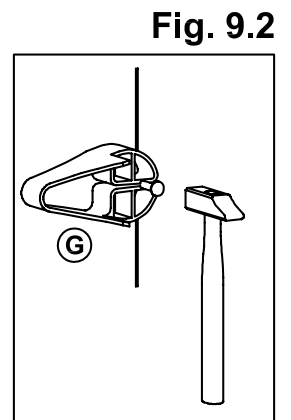
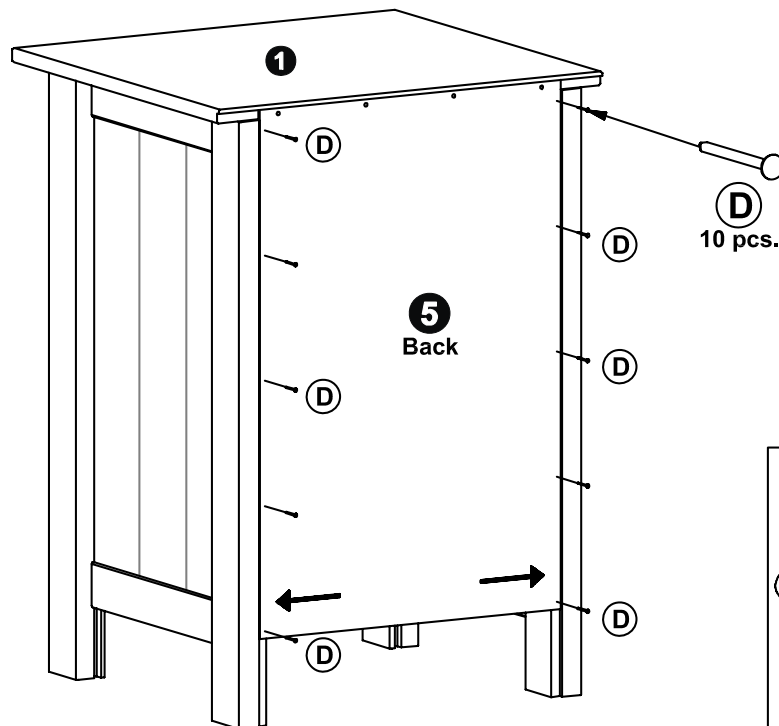


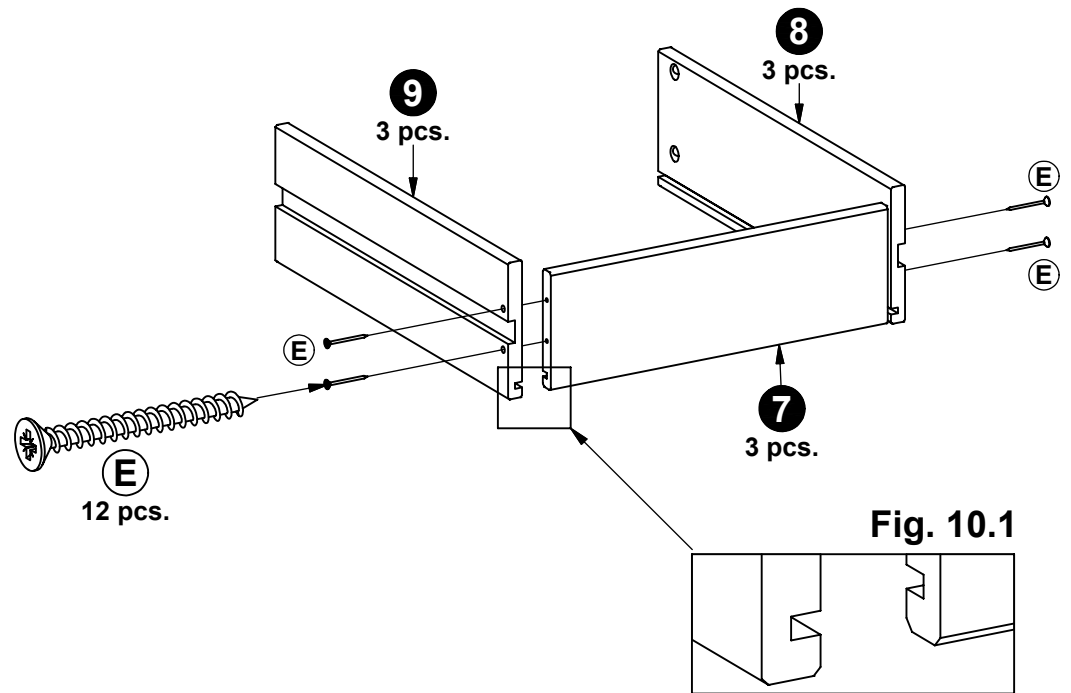
Fig. 9.2

10. Mounting the drawer sides to the drawer back.

Fix the drawer sides "8" and "9" to the drawer back "7" using screws "E".

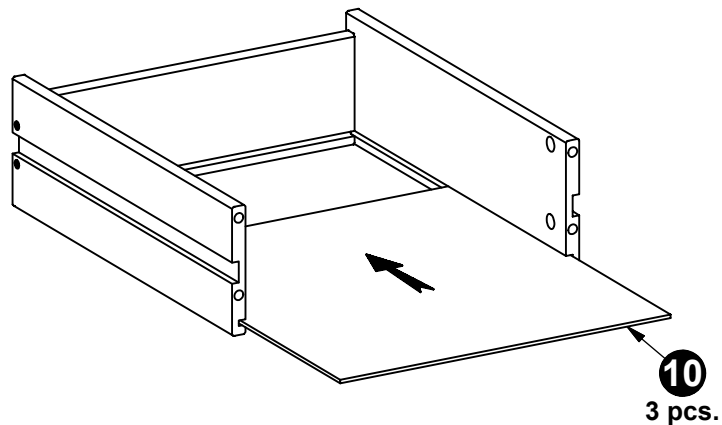
The grooves of the drawer sides and back should be turned exactly as shown.

See fig. 10.1.



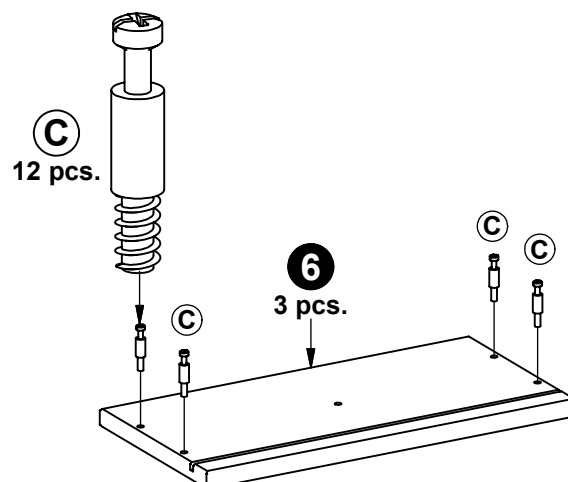
11. Sliding the drawer bottom into the drawer frame.

Slide the drawer bottom "10" into the grooves of the drawer frame.



12. Mounting the bolts to the drawer front.

Screw the bolts "C" into the holes indicated on the drawer front "6".



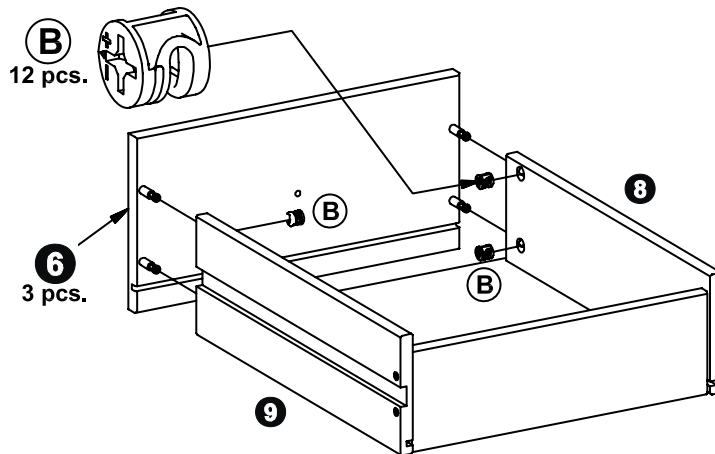
13. Adding the drawer front to the drawer frame.

Press the drawer front "6" onto the drawer sides "8" and "9".

Place the cams "B" into the holes indicated, arrows pointing towards the bolts.

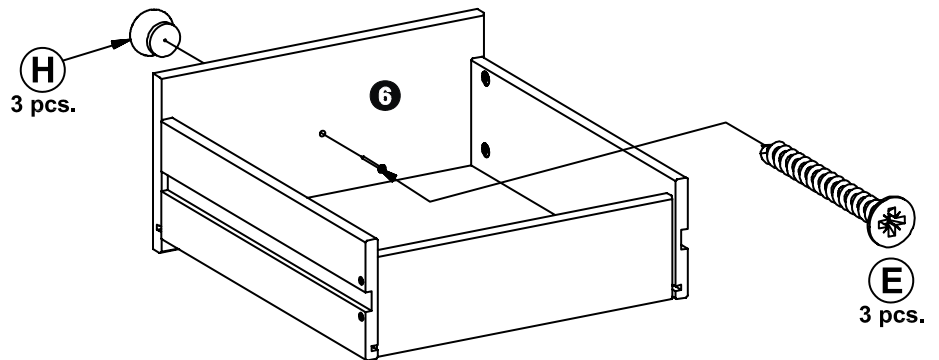
Tighten:
Turn the cam to the right.

"Function of cam & bolt"
see page 4.



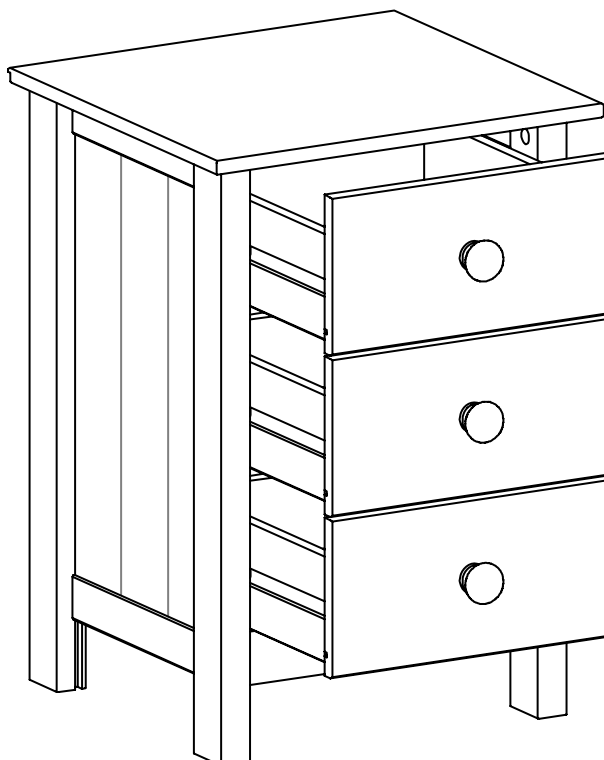
14. Mounting the knobs to the drawer front.

Fix the knob "H" to the drawer front using screws "E".



15. Adding the drawers to the carcass.

Slide the drawer onto the wooden runners.



Dear Customer.

Please note that the product you have purchased is a natural living timber.

Just like nature itself, wood varies in shape and colour. Knots, vein patterns, resin pockets and colour differences contribute to giving the piece of furniture its beauty and form - a natural part of solid wood.

Although the tree has been cut down and dried, it is still alive and therefore will react to high and low temperatures, light, humidity, drought and time.

In cold and dry periods, the wood contracts which may lead to small cracks in the piece of furniture. The reverse happens in warm and humid periods where the wood expands and this may result in slight unevenness.

The colour of the wood also changes with time, particularly if the furniture is placed in a light place. This is a natural process and part of owning a piece of furniture made of solid wood.

Any flexing that has occurred during transport will re-correct it self once this product is correctly assembled.

Tighten all joints of the furniture after six months.

Please keep these instructions in a safe place for future use.

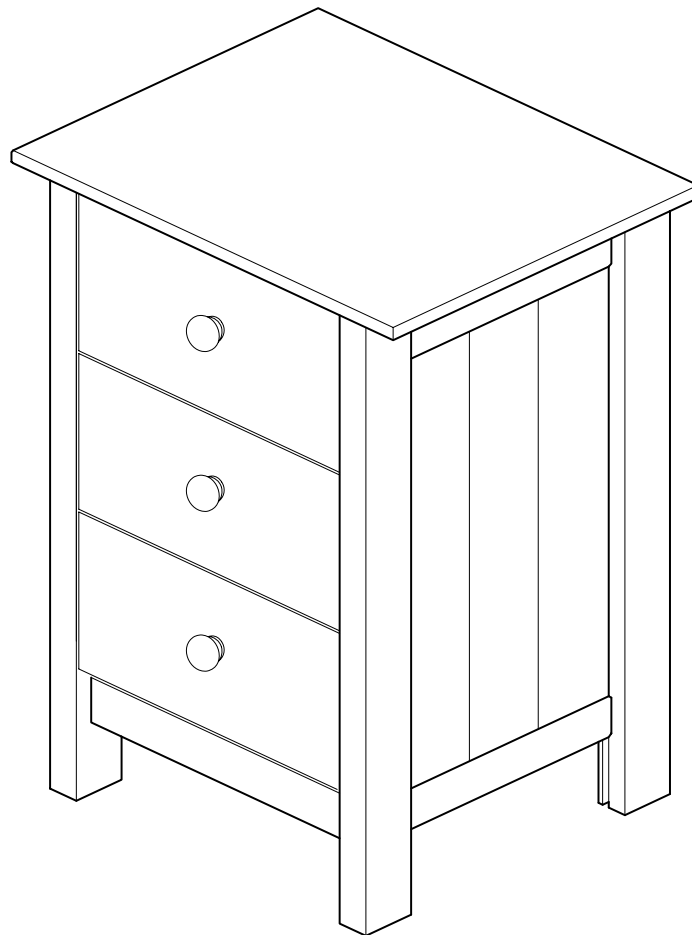
Scandinavia - 3 Drw Bedside Chest

Assembly Instructions - Please keep for future reference

630/2001

658/1561

615/6903



Dimensions

Width - 42.8cm
Depth - 40cm
Height - 61cm

Important - Please read these instructions fully before starting assembly

If you need help or have damaged or missing parts, call the **Customer Helpline: 08456 400800**



Safety and Care Advice

Important - Please read these instructions fully before starting assembly

- Check you have all the components and tools listed on pages 2 and 3.

- Remove all fittings from the plastic bags and separate them into their groups.

- Keep children and animals away from the work area, small parts could choke if swallowed.

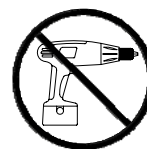
- Make sure you have enough space to layout the parts before starting.

- Do not stand on the product, this could cause damage.

- Assemble the item as close to its final position (in the same room) as possible.

- Assemble on a soft level surface to avoid damaging the unit or your floor.

- Parts of the assembly will be easier with 2 people.



- We do not recommend the use of power drill/drivers **for inserting screws**, as this could damage the unit. Only use hand screwdrivers.

- Dispose of all packaging carefully and responsibly.

Care and maintenance

- Only clean using a damp cloth and mild detergent, do not use bleach or abrasive cleaners.

- From time to time check that there are no loose screws on this unit.

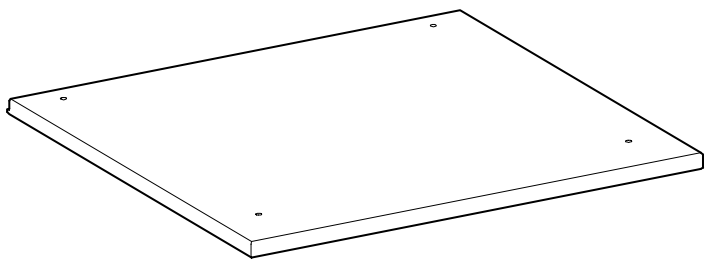
- This product should not be discarded with household waste. Take to your local authority waste disposal centre.

Note: if required the next page can be cut out and used as reference throughout the assembly. Keep this page with these instructions for future reference.

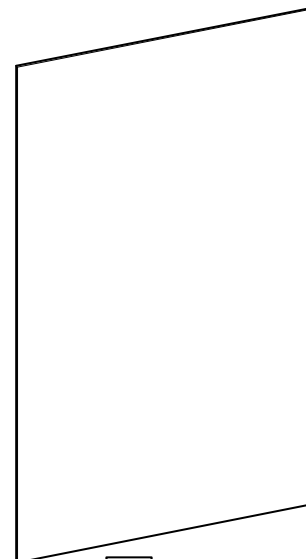
Components - Panels

If you have damaged or missing components, call the **Customer Helpline: 08456 400800**

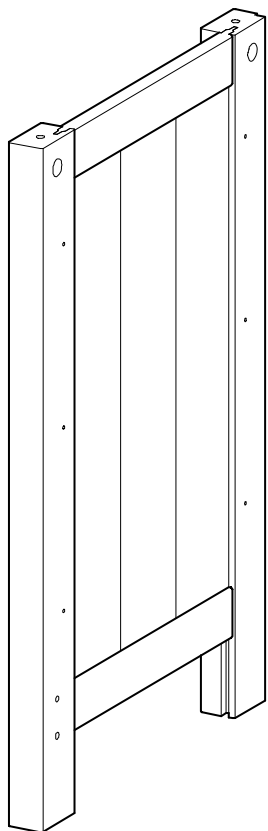
Please check you have all the panels listed below



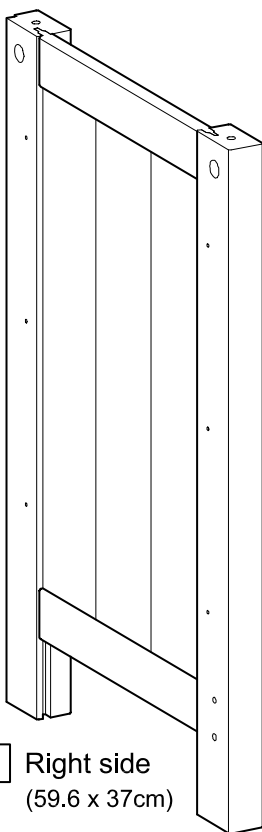
1 Top (42.8 x 40cm)



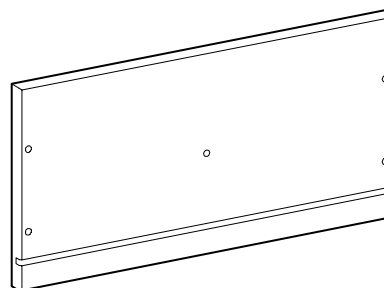
5 Back (52 x 33.6cm)



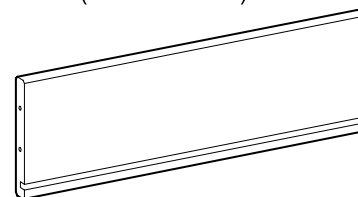
2 Left side (59.6 x 37cm)



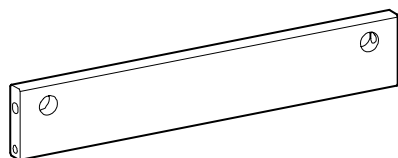
3 Right side (59.6 x 37cm)



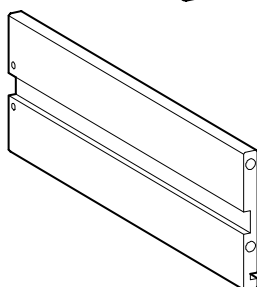
6 Drawer front x 3 (31.4 x 15.7cm)



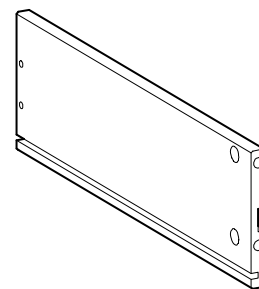
7 Drawer back x 3 (28.6 x 9cm)



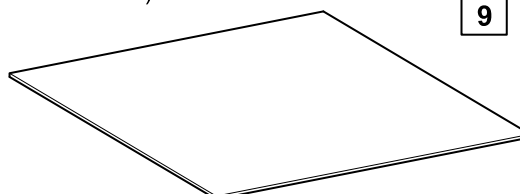
4 Plinth (31.8 x 5.5cm)



8 Left drawer side x 3 (34.2 x 10.7cm)



9 Right drawer side x 3 (34.2 x 10.7cm)



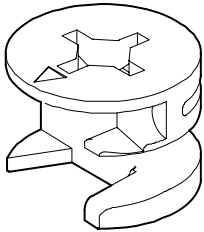
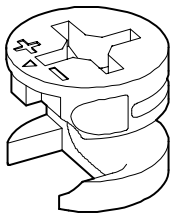
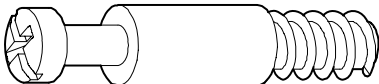
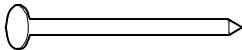

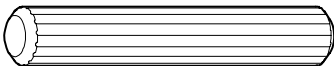
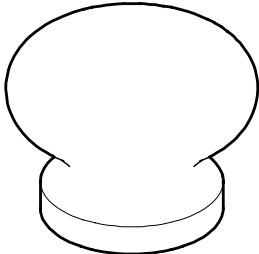
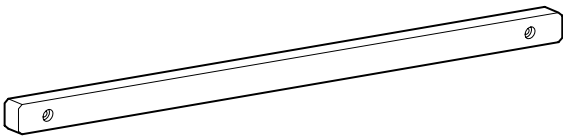
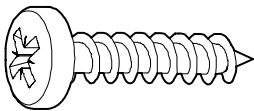
10 Drawer bottom x 3 (33.9 x 29.7cm)



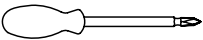
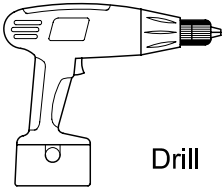

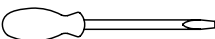
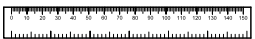

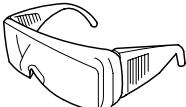
Components - Fittings

Please check you have all the fittings listed below

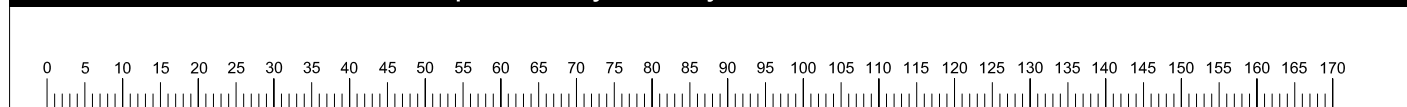
Note: The quantities below are correct amount to complete the assembly. In some cases more fittings may be supplied than are required.

<p>A</p>  <p>Large cam x 6</p>	<p>B</p>  <p>Small cam x 12</p>	<p>C</p>  <p>Locking pin x 18</p>
<p>D</p>  <p>16mm Nail x 20</p>	<p>E</p>  <p>35mm Screw x 15</p>	<p>F</p>  <p>30mm Dowel x 2</p>
<p>G</p>  <p>Knob x 3</p>	<p>H</p>  <p>340mm Wooden runner x 6</p>	<p>I</p>  <p>20mm Screw x 12</p>

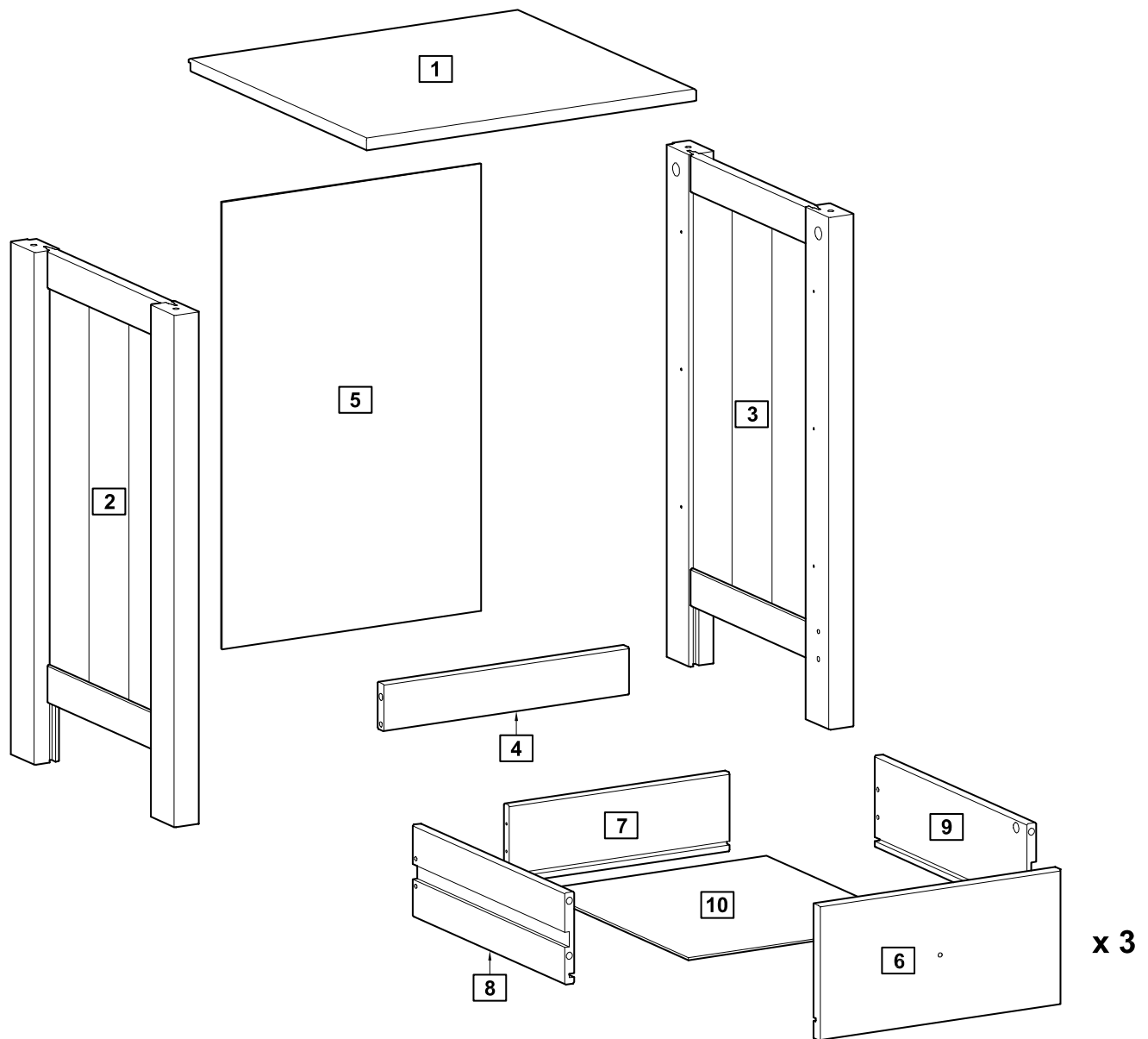
Tools required

	<p>Philips screwdriver (medium & large)</p>	 <p>Drill</p>	 <p>Small hammer</p>
	<p>Flatblade screwdriver (medium)</p>	 <p>Ruler/tape measure</p>	<p>Ruler/tape measure</p>
	<p>Suitable drill bit (for use with wall plug)</p>	 <p>Eye protection (when using a hammer or glue)</p>	<p>Eye protection (when using a hammer or glue)</p>

Ruler - Use this ruler to help correctly identify the screws



Components - Key Diagram



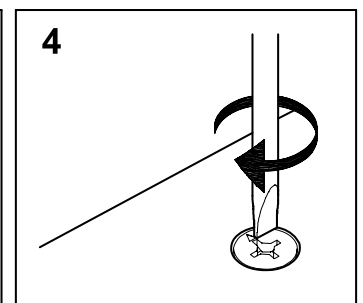
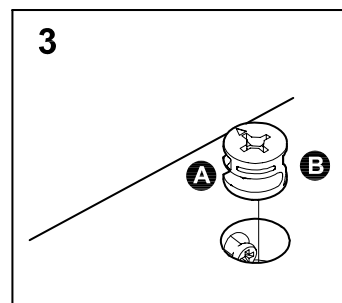
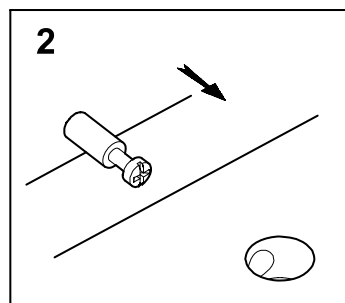
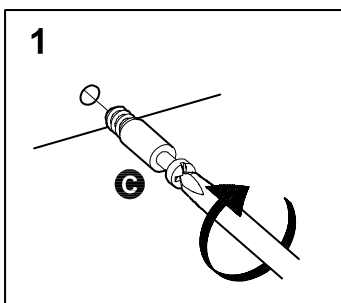
Function of Cam and Locking Pin

Step 1:
Fix the locking pin to the wooden panel.

Step 2:
Push the wooden panel with the attached locking pin onto the other wooden panel.

Step 3:
Place the cam into the hole, arrow pointing towards the locking pin.

Step 4:
Tighten: Turn the cam to the right.

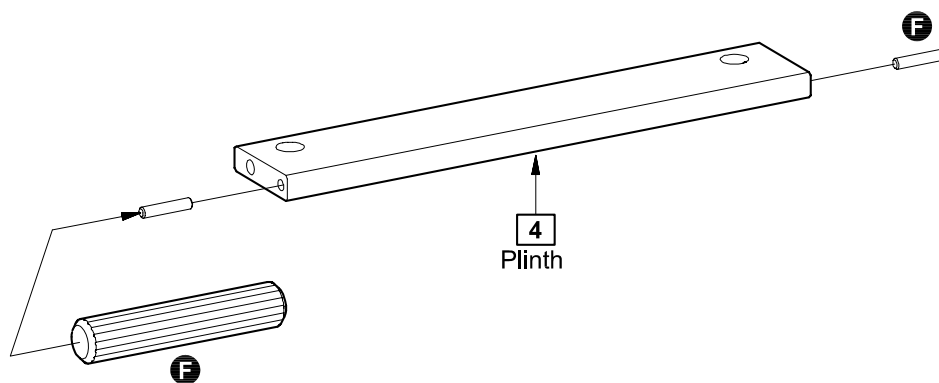


Assembly Instructions

Step 1

Inserting the dowels to the plinth.

Insert the dowels **F** into the holes indicated on the plinth **4**.

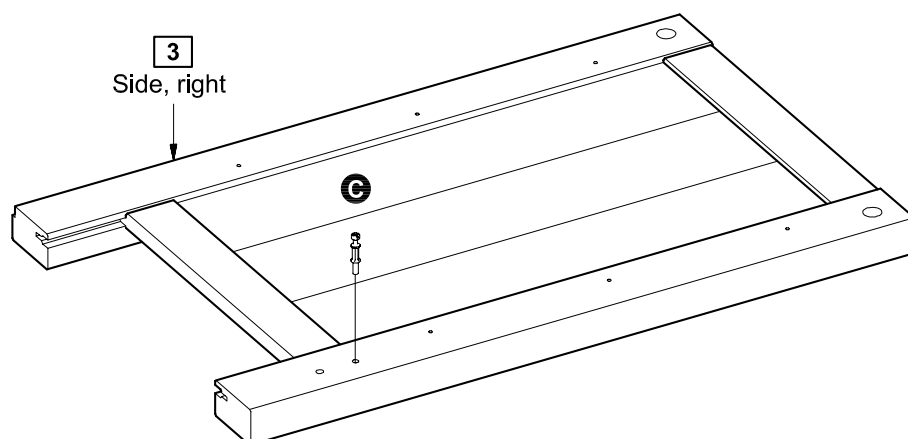
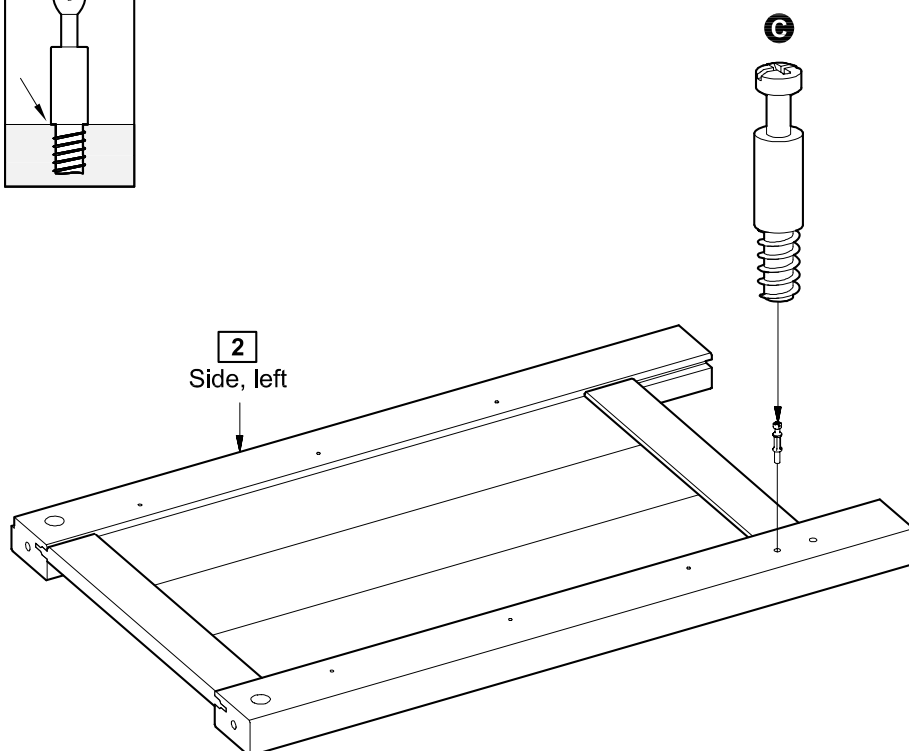
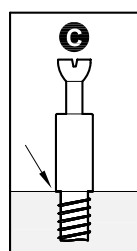


Step 2

Mounting the locking pins to the sides.

Screw the locking pins **G** into the holes indicated on the sides **2** and **3**.

Note: Insert locking pins **G** as far as shown. **Do not over tighten.**

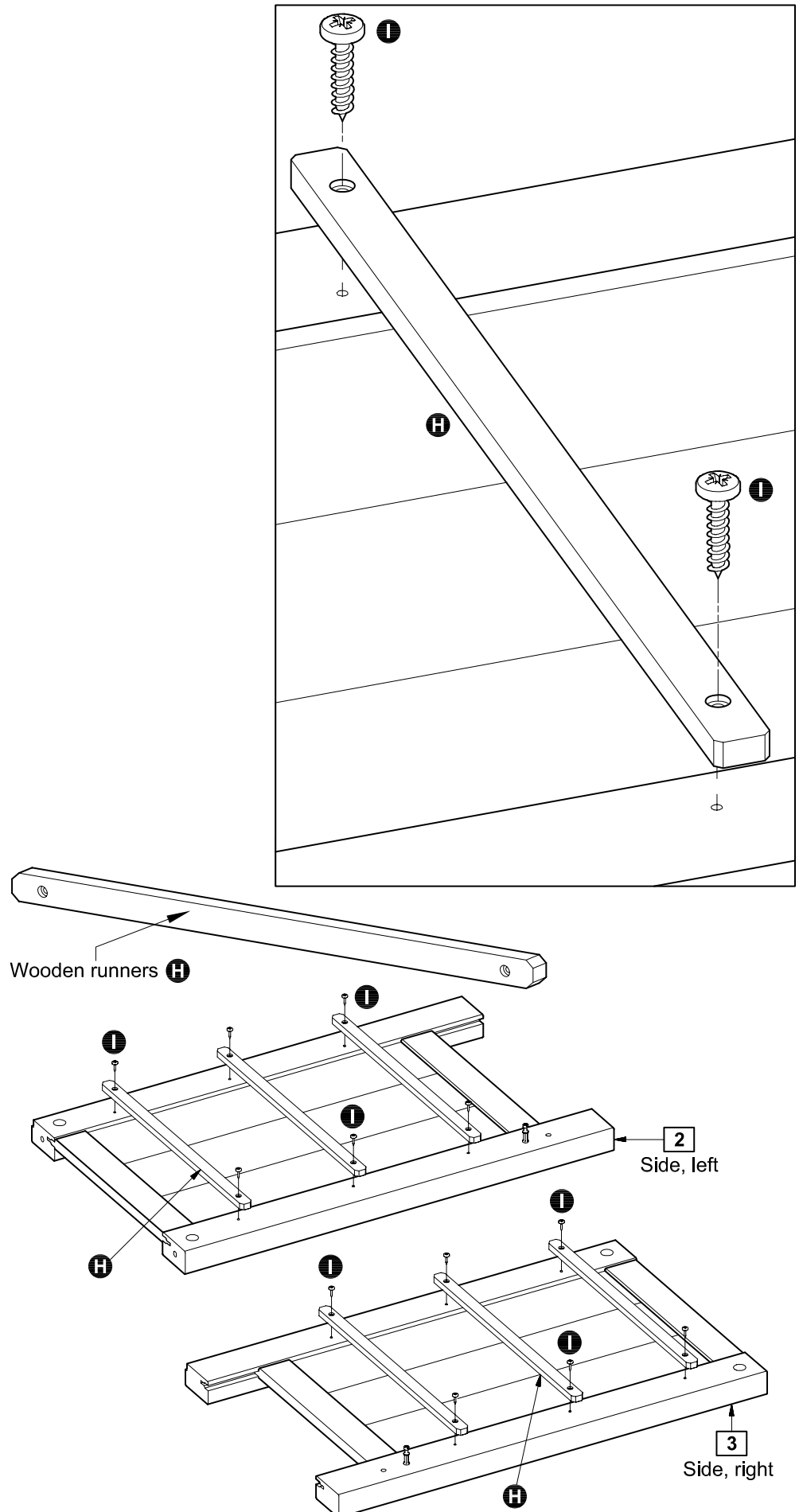


Assembly Instructions

Step 3

Attaching the wooden runners to the sides.

Fix the wood runners **H** to the sides **2** and **3**, using screws **I** through the holes indicated.



Assembly Instructions

Step 4

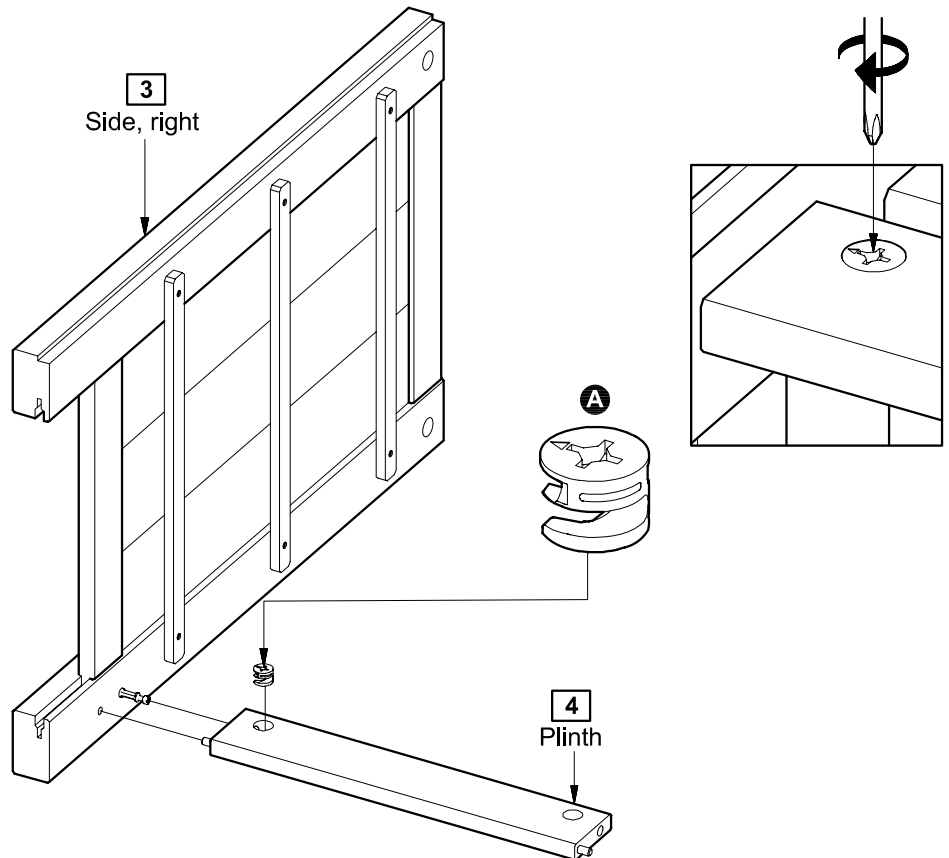
Adding the plinth to the right hand side.

Fit the plinth **4** onto the side **3**.

See page 4 "Function of cam and locking pin".

Place the large cam **A** into the hole indicated, arrow pointing towards the side / locking pin.

To tighten cams: Turn to the right using a screwdriver.



Step 5

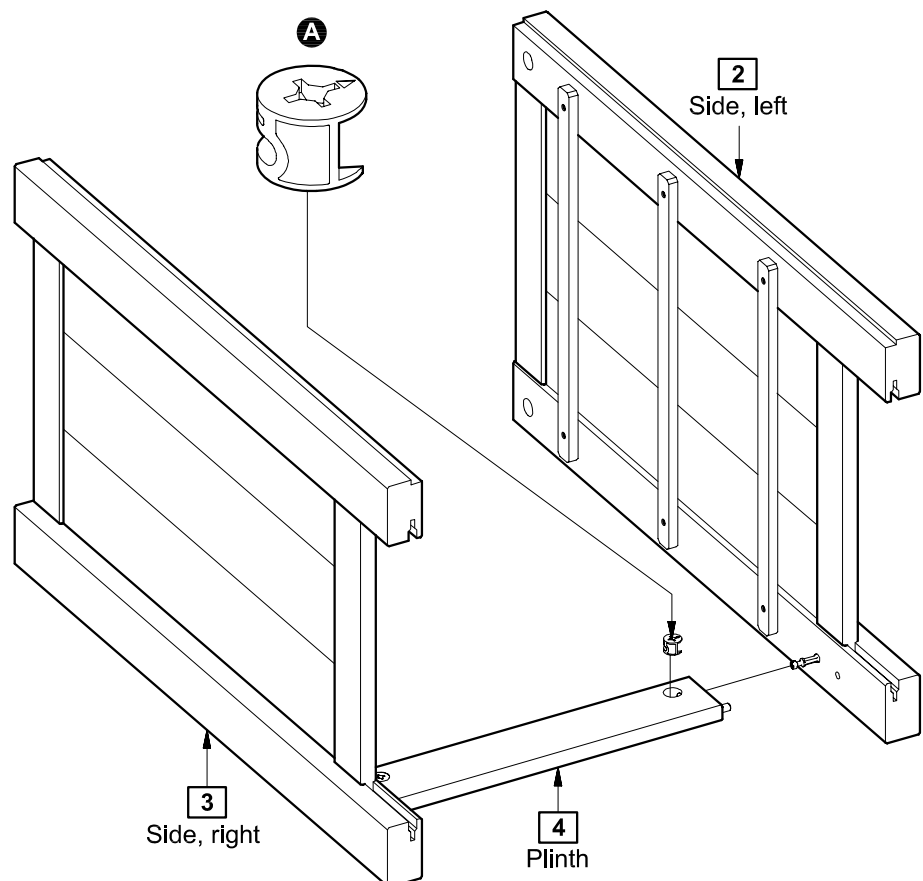
Assembling the left hand side to the plinth.

Fit the side **2** onto the plinth **4**.

See page 4 "Function of cam and locking pin".

Place the large cam **A** into the hole indicated, arrow pointing towards the side / locking pin.

To tighten cams: Turn to the right using a screwdriver.



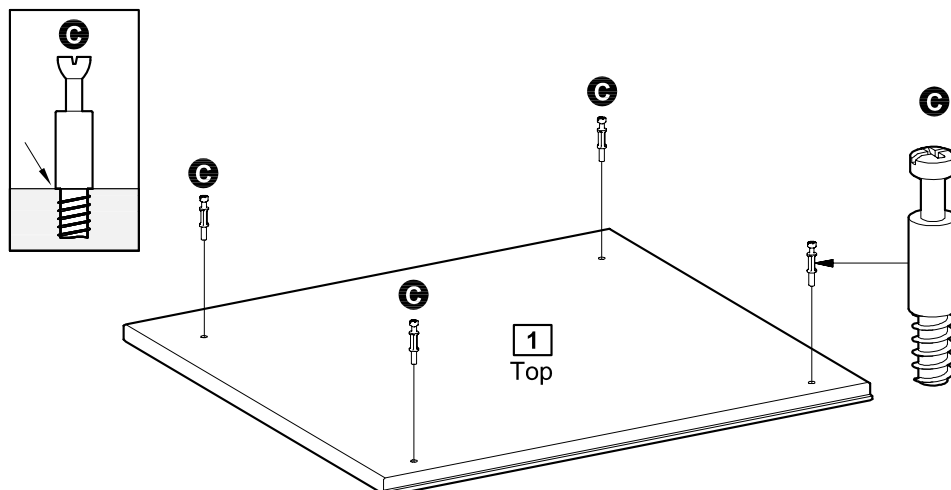
Assembly Instructions

Step 6

Mounting the locking pins to the top.

Screw the locking pins **G** into the holes indicated on the top **1**.

Note: Insert locking pins **G** as far as shown. **Do not over tighten.**



Step 7

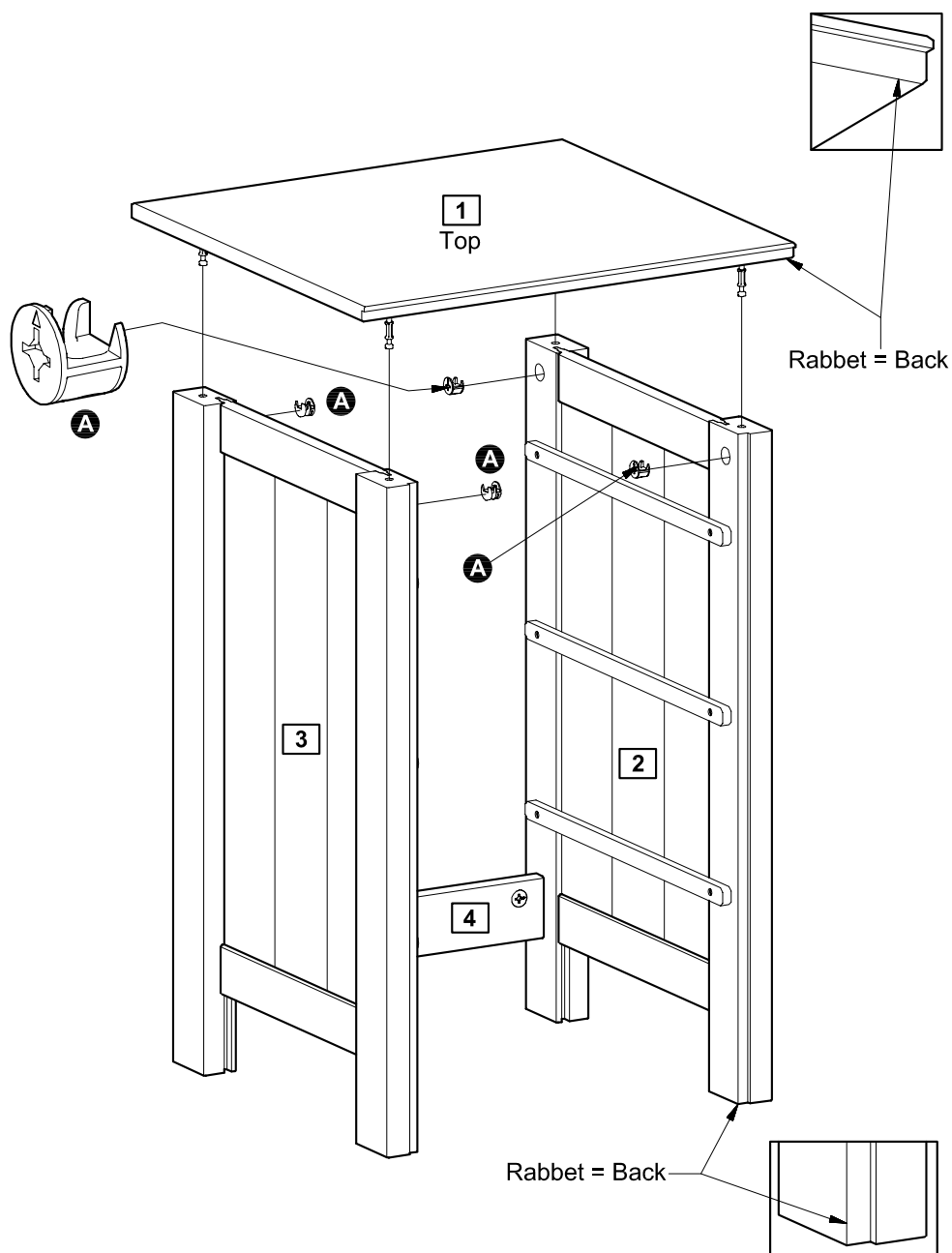
Assembling the top to the sides.

Lower the top **1** onto the sides **2** and **3**.

See page 4 "Function of cam and locking pin".

Place the large cams **A** into the holes indicated, arrows pointing towards the locking pins.

To tighten cams: Turn to the right using a screwdriver.



Assembly Instructions

Step 8

Nailing the back to the top and sides.

Place the back **5** into the rabbet of the top **1** and the side **3**.

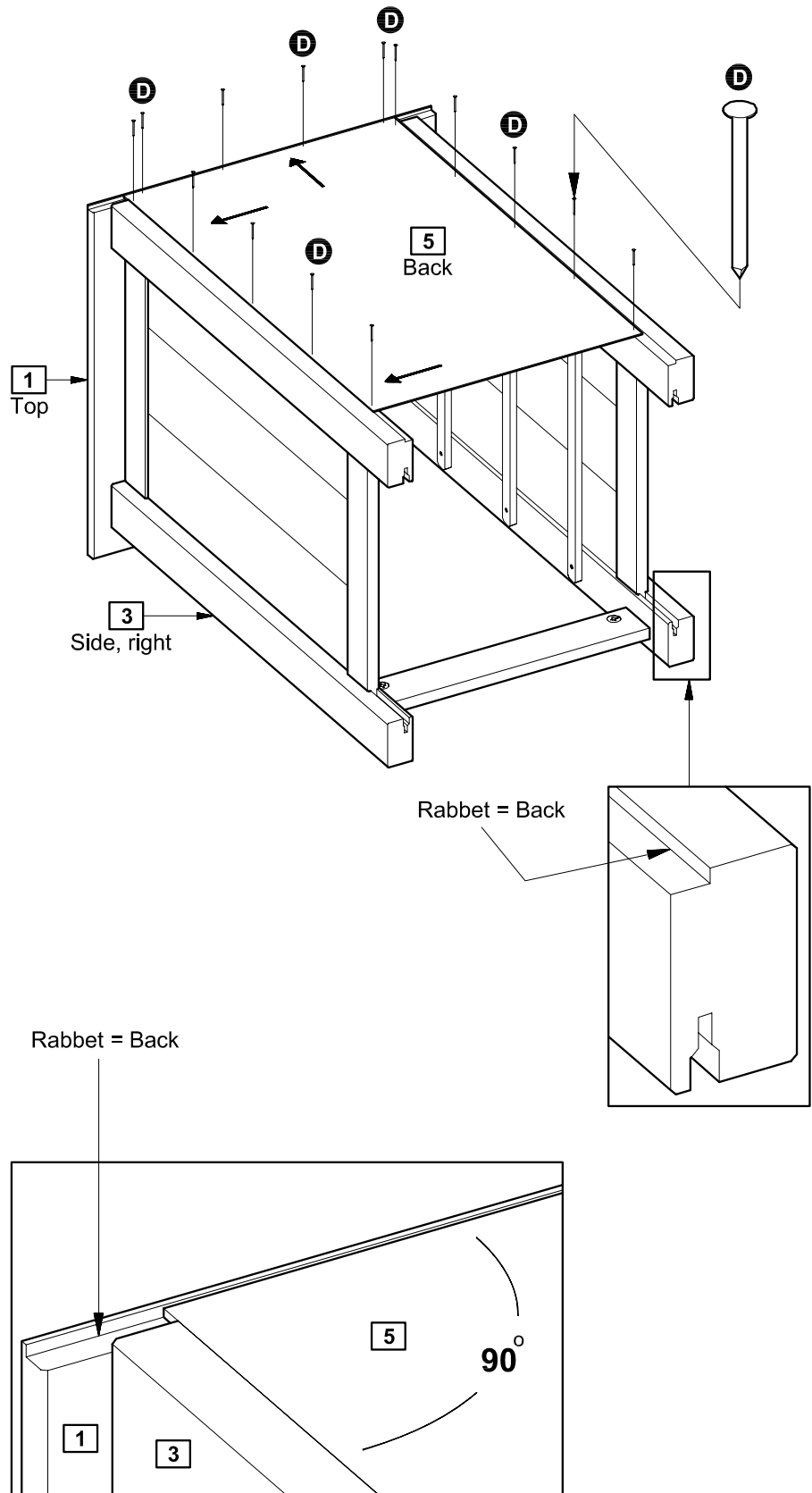
Ensure that there is no gap between the right hand side **3** and the back **5**, nor between the top and the back.

Fasten the back with nails **D** along the top.

The angle between the top and the side must be 90 degrees.

To accomplish this, ensure that there is no gap between the right hand side **3** and the back **5**.

Fasten the back with nails **D** along the sides.

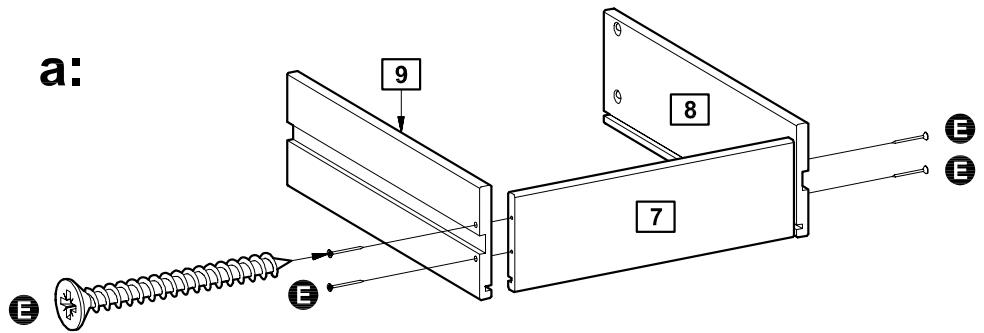


Assembly Instructions

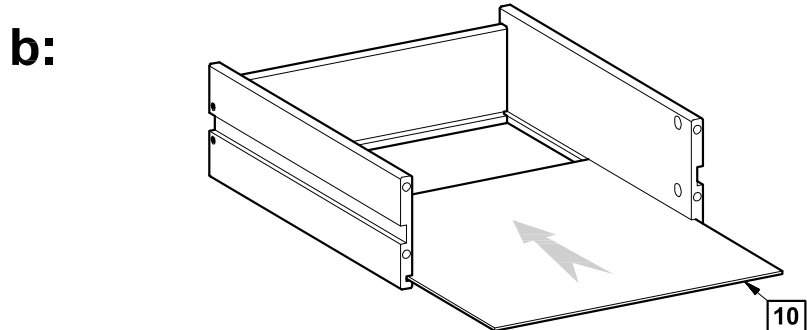
Step 9

Drawer assembly.

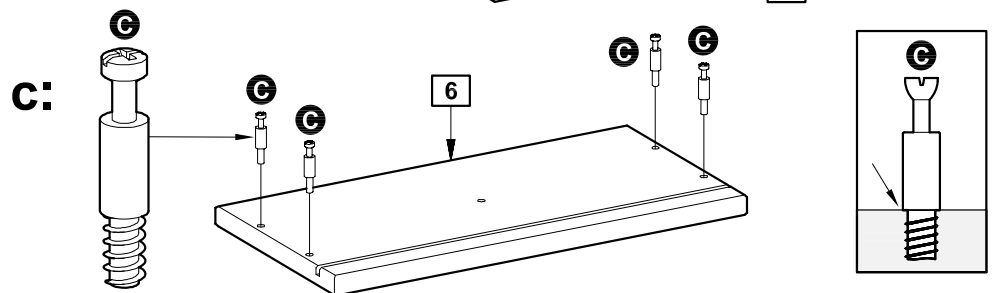
a: Fix the drawer sides **8** and **9** to the drawer back **7** using screws **E**.



b: Slide the drawer bottom **10** into the grooves of the drawer frame.



c: Screw the locking pins **G** into the holes indicated on the drawer front **6**.



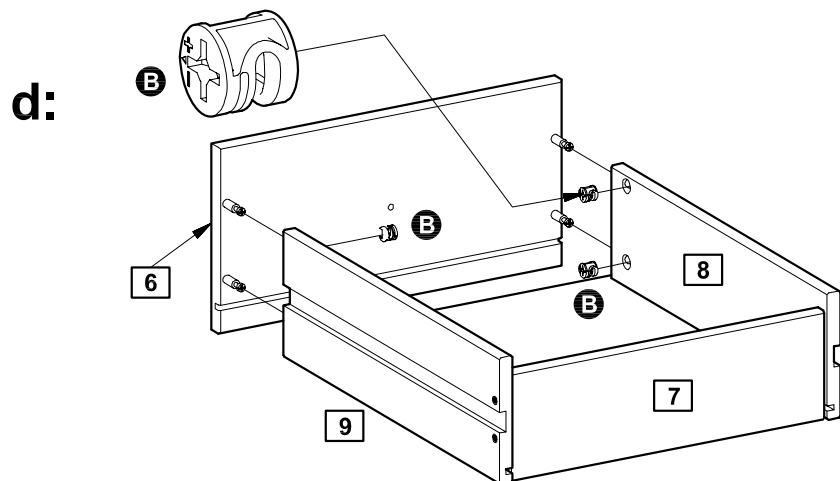
Note: Insert locking pins **G** as far as shown. **Do not over tighten.**

d: Press the drawer front **6** onto the drawer sides **8** and **9**.

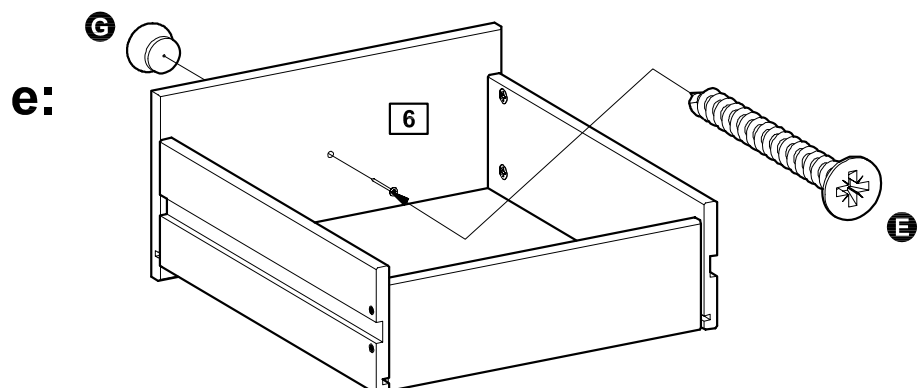
Place the small cams **B** into the holes indicated, arrows pointing towards the drawer front / locking pins.

To tighten cams: Turn to the right using a screwdriver.

"Function of cam and locking pin" see page 4.



e: Fix the knob **G** to the drawer front using screw **E**.



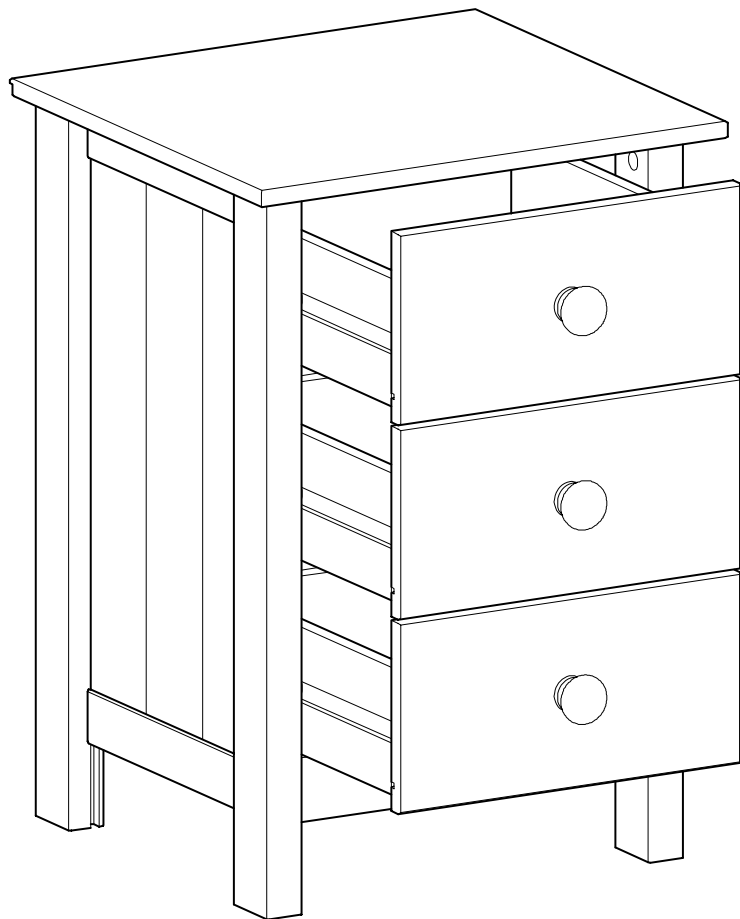
Repeat with remaining drawers.

Assembly Instructions

Step 10

Adding the drawers to the carcass.

Slide the drawers onto the wooden runners.



Assembly is complete.

If you need help or have damaged or missing parts, call the **Customer Helpline: 08456 400800**

Dear Customer

Please note that the product you have purchased is a natural living timber.

Just like nature itself, wood varies in shape and colour. Knots, vein patterns, resin pockets and colour differences contribute to giving the piece of furniture its beauty and form - a natural part of solid wood.

Although the tree has been cut down and dried, it is still alive and therefore will react to high and low temperatures, light, humidity, drought and time.

In cold and dry periods, the wood contracts which may lead to small cracks in the piece of furniture. The reverse happens in warm and humid periods where the wood expands and this may result in slight unevenness.

The colour of the wood also changes with time, particularly if the furniture is placed in a light place. This is a natural process and part of owning a piece of furniture made of solid wood.

Any flexing that has occurred during transport will re-correct it self once this product is correctly assembled.

Tighten all joints of the furniture after six months.

Please keep these instructions in a safe place for future use.