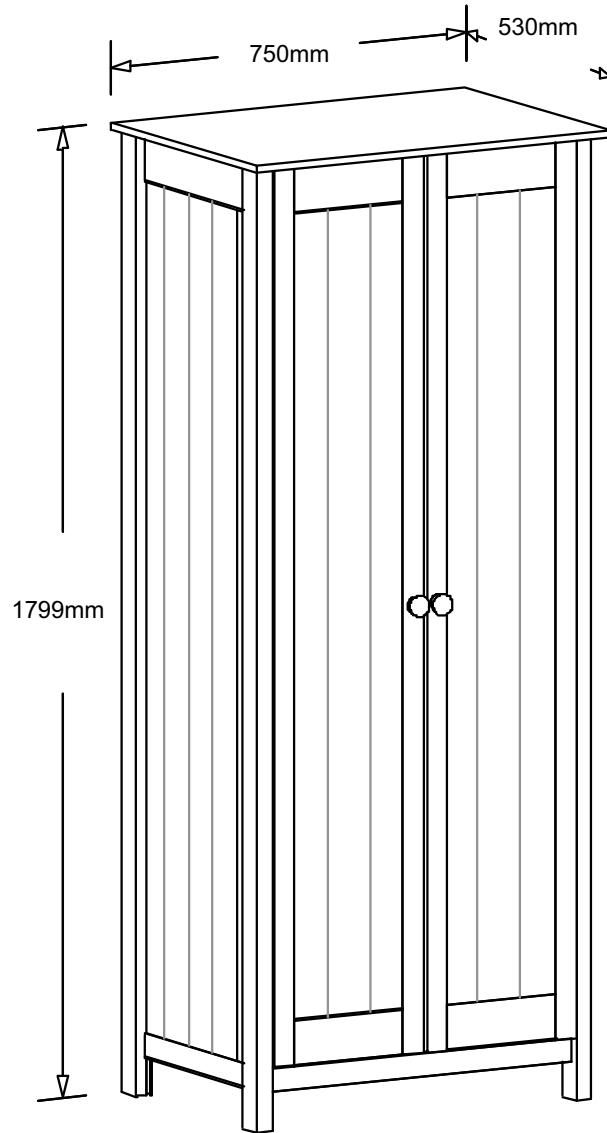


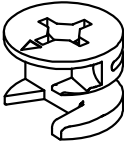
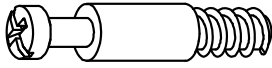



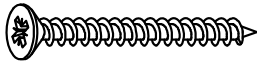
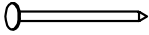
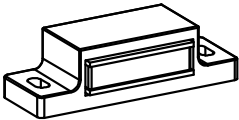
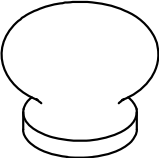
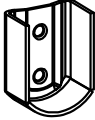
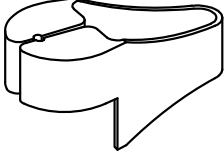
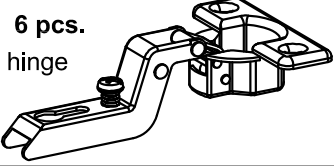
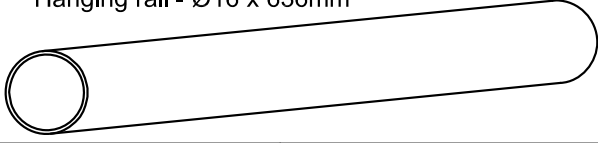
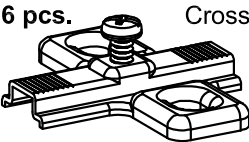
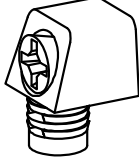
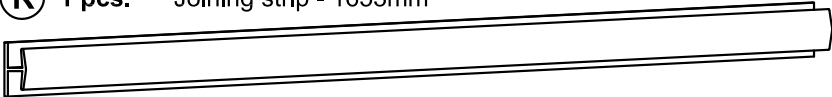

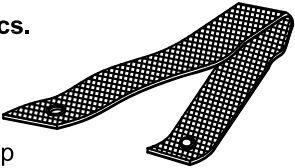


Scandinavia

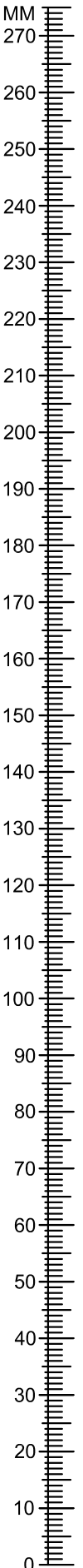
2 DOOR ROBE



Please sort out all parts before you begin to assemble the item.
This to make sure you always use the correct part.

Fittings contained in the box.

<p>A 10 pcs. Cam - $\varnothing 15 \times 12\text{mm}$</p> 	<p>B 10 pcs. Bolt - $\varnothing 6,5 \times 24/11\text{mm}$</p> 	<p>C 4 pcs. Dowel - $\varnothing 8 \times 30\text{mm}$</p> 
<p>D 24 pcs. Screw - $\varnothing 3,5 \times 14\text{mm}$</p> 	<p>E 12 pcs. Screw - $\varnothing 3,5 \times 25\text{mm}$</p> 	<p>F 2 pcs. Screw - $\varnothing 3,5 \times 35\text{mm}$</p> 
<p>G 30 pcs. Nail - $1,2 \times 20\text{mm}$</p> 	<p>H 2 pcs. Magnet</p> 	
<p>K 2 pcs. Knob $\varnothing 40 \times 30\text{mm}$</p> 	<p>L 2 pcs. Hanging rail cup</p> 	<p>M 1 pcs. Nail guide</p> 
<p>N 6 pcs. Cup hinge</p> 	<p>O 1 pcs. Hanging rail - $\varnothing 16 \times 636\text{mm}$</p> 	
<p>P 6 pcs. Cross plate</p> 	<p>Q 4 pcs. Miniblock</p> 	
<p>R 1 pcs. Joining strip - 1653mm</p> 	<p>S 2 pcs. Screw - $\varnothing 4 \times 20\text{mm}$</p> 	
<p>T 2 pcs. Wall strap</p> 	<p>U 2 pcs. Wall plug</p> 	<p>V 4 pcs. Washer</p> 

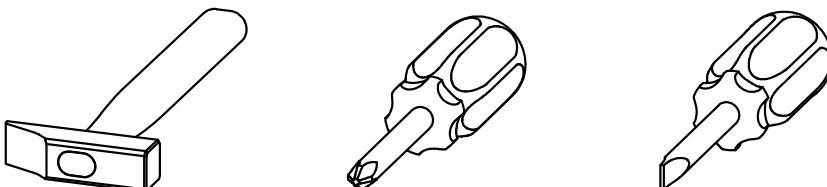


Hazard Warning !

Keep small components out of the reach of children.

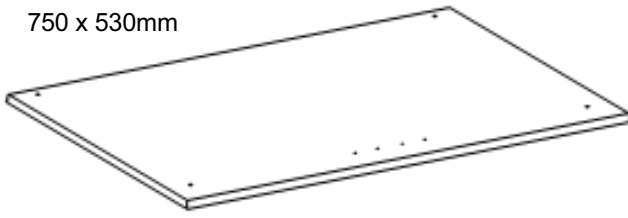
Fittings A, B, C, D, E, F, G, K and S are shown in their actual dimensions.

Tools needed.



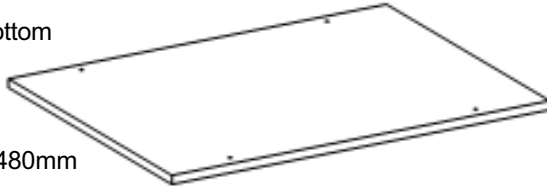
Wooden parts contained in the box.

1 Top 750 x 530mm
1 pcs.

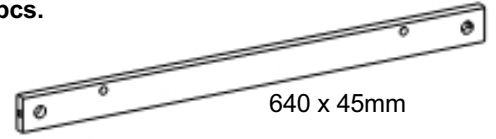


3 Bottom
1 pcs.

640 x 480mm

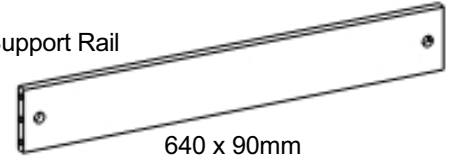


2 Plinth
2 pcs.

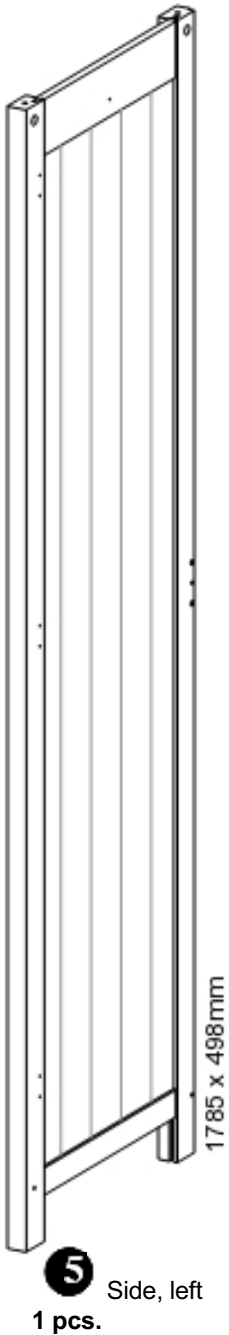


640 x 45mm

4 Support Rail
1 pcs.

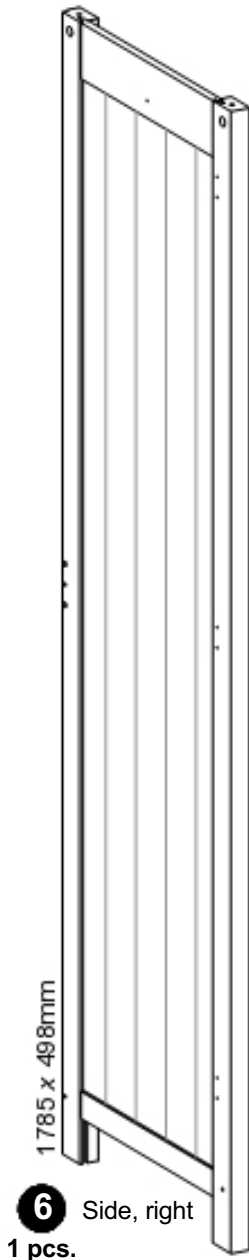


640 x 90mm



1785 x 498mm

5 Side, left
1 pcs.



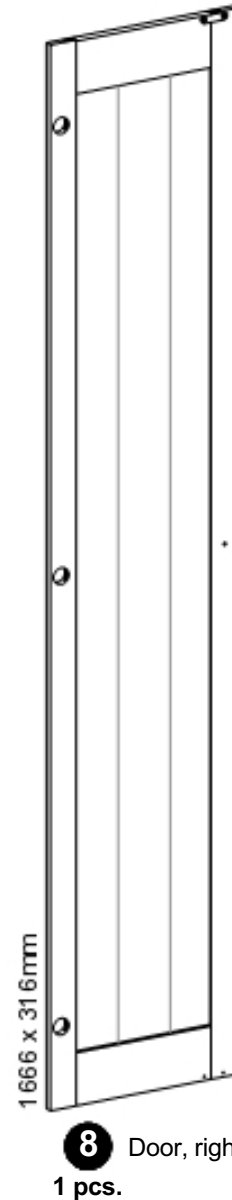
1785 x 498mm

6 Side, right
1 pcs.



1666 x 316mm

7 Door, left
1 pcs.



1666 x 316mm

8 Door, right
1 pcs.



1710 x 327mm

9 Back
2 pcs.

A Guide to - Wall Mounting & Fixings

Important note:

If plastic wall plugs are supplied with your product:



- these are only suitable for use in masonry walls.

If you are in any doubt about the correct wall plugs for your wall, seek professional advice.


Failure of the product due to using incorrect fixings is the responsibility of the installer.



Important: When drilling into walls always check that there are no hidden wires or pipes etc.

Make sure that the screws and wall plugs being used are suitable for supporting your unit. Consult a qualified tradesperson if you are unsure.

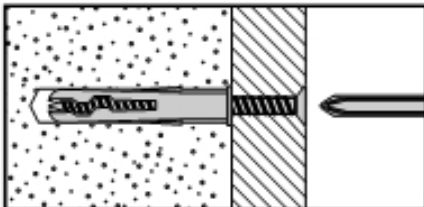
Hints:

- 1: General rule:  Always use a larger screw and wall plug if you are not sure.
- 2: Ensure you use the recommended drill bit to match the wall plug and hole size.
- 3: Ensure you drill the hole horizontally, do not force the drill or enlarge the hole.
- 4: Take extra care when drilling high walls, ceilings and ceramic tiles. Ensure wall plugs are inserted beyond the thickness of the ceramic tiles to avoid the tiles splitting or cracking.
- 5: Ensure wall plugs are well fitted and are a tight fit in the drilled hole.

Types of walls

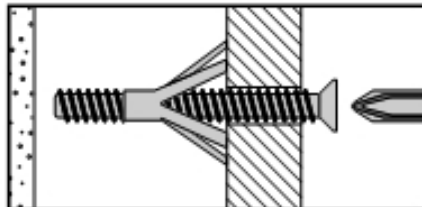
You can use one of the following types of wall plug if your walls are made of brick, breeze block, concrete, stone or wood.

No.1 "General Purpose" wall plug



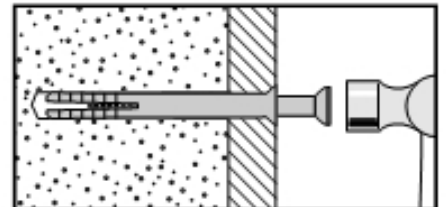
Generally aerated blocks should not be used to support heavy loads, use a specialist fitting in this case. For light loads, general purpose wall plugs can be used.

No.3 "Cavity Fixing" wall plug



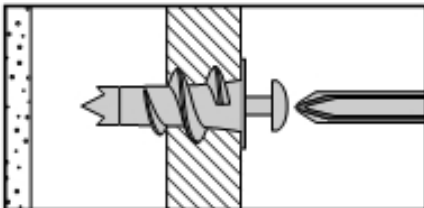
For use with plasterboard partitions or hollow wooden doors.

No.5 "Hammer Fixing" wall plug



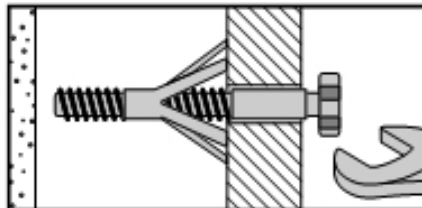
For use with walls stuck with plasterboard. The hammer fixing allows it to be fixed to the wall rather than the plasterboard. Always check the fixing is secure to the retaining wall.

No.2 "Plasterboard" wall plug



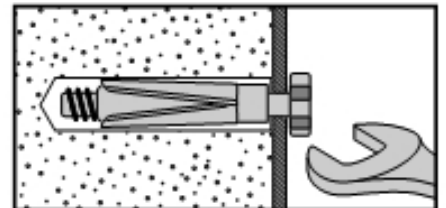
For use when attaching light loads on to plasterboard partitions.

No.4 "Cavity Fixing-Heavy Duty" wall plug



For use when fitting or supporting heavy loads such as shelving, wall cabinets and coat racks.

No.6 "Shield Anchor" wall plug
Heavy loads



For use with heavier loads such as TV & HiFi speakers and satellite dishes etc.

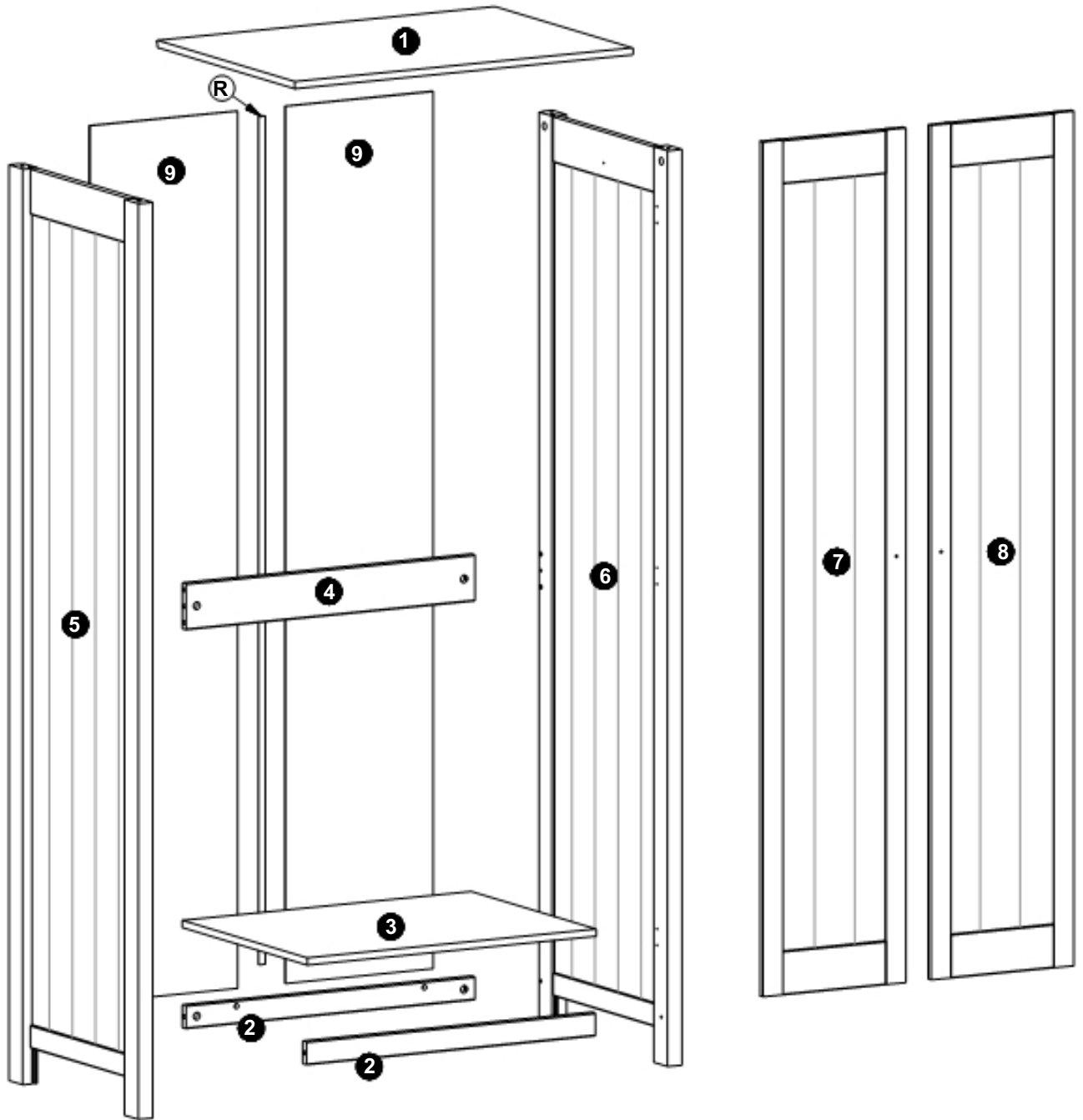


Care & Maintenance

Safety: Always check the fitting and location to ensure your safety in and around the home.

Fitting: From time to time check the fitting to ensure the wall plugs or screws do not become loose.

Key diagram.



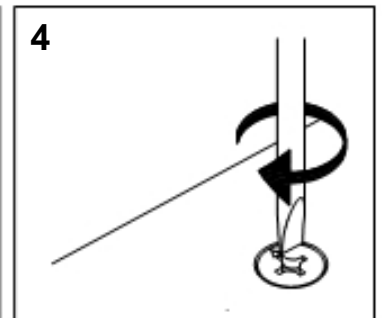
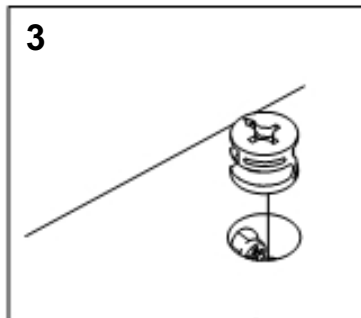
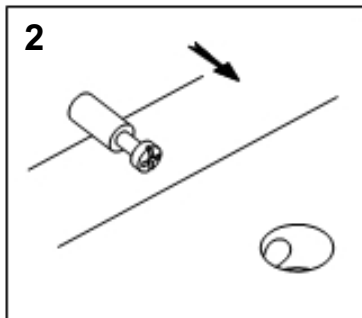
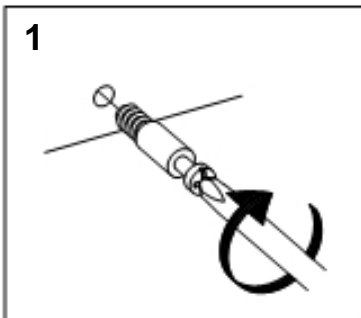
Function of cam & bolt.

Step 1:
Fix the Bolt to the wooden Panel.

Step 2:
Push the wooden Panel with the attached Bolt onto the other wooden Panel.

Step 3:
Place the Cam into the Hole, arrow pointing towards the Bolt.

Step 4:
Tighten: Turn the Cam to the Right.



1. Mounting the cross plates to the sides.

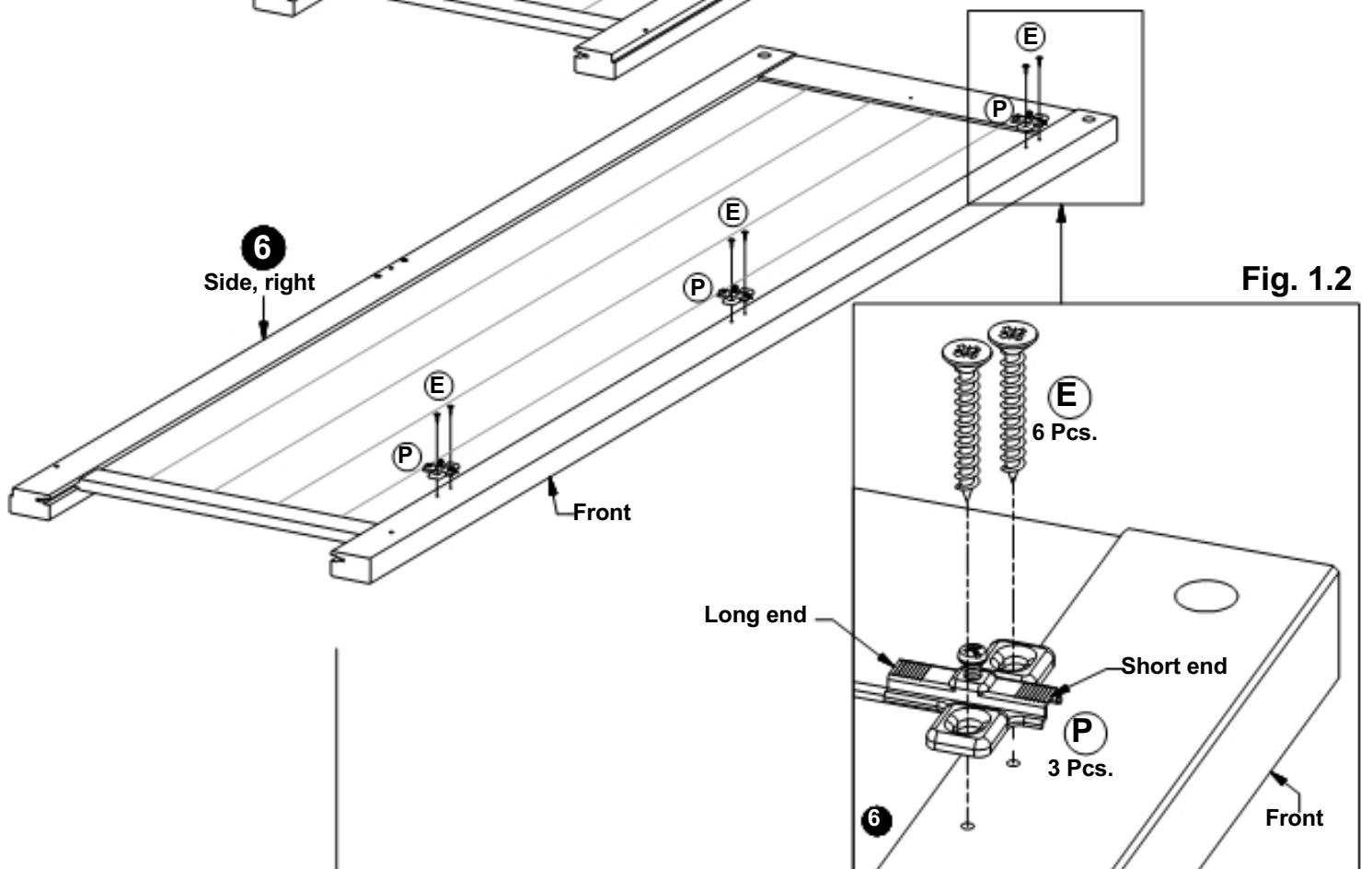
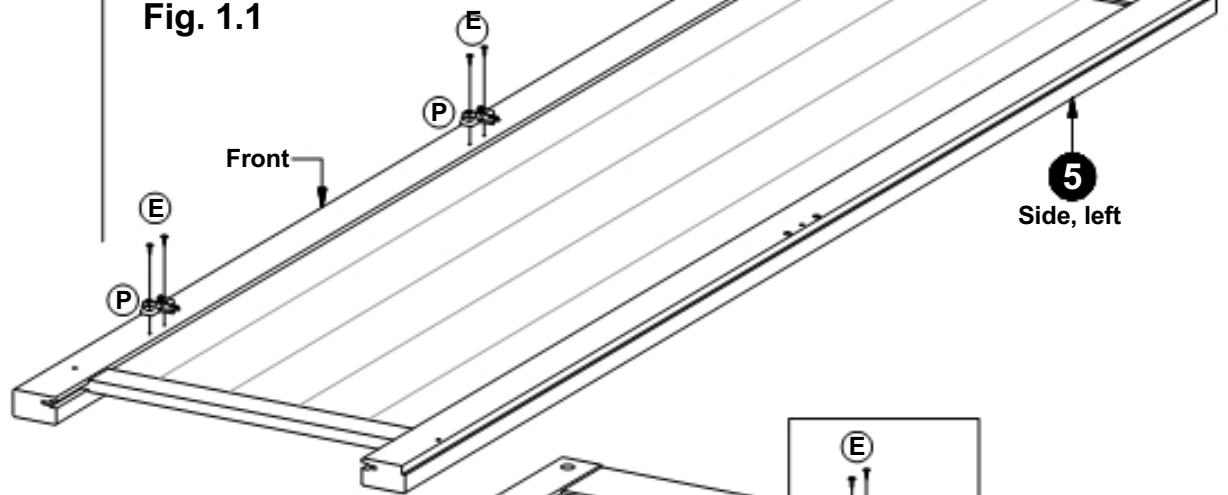
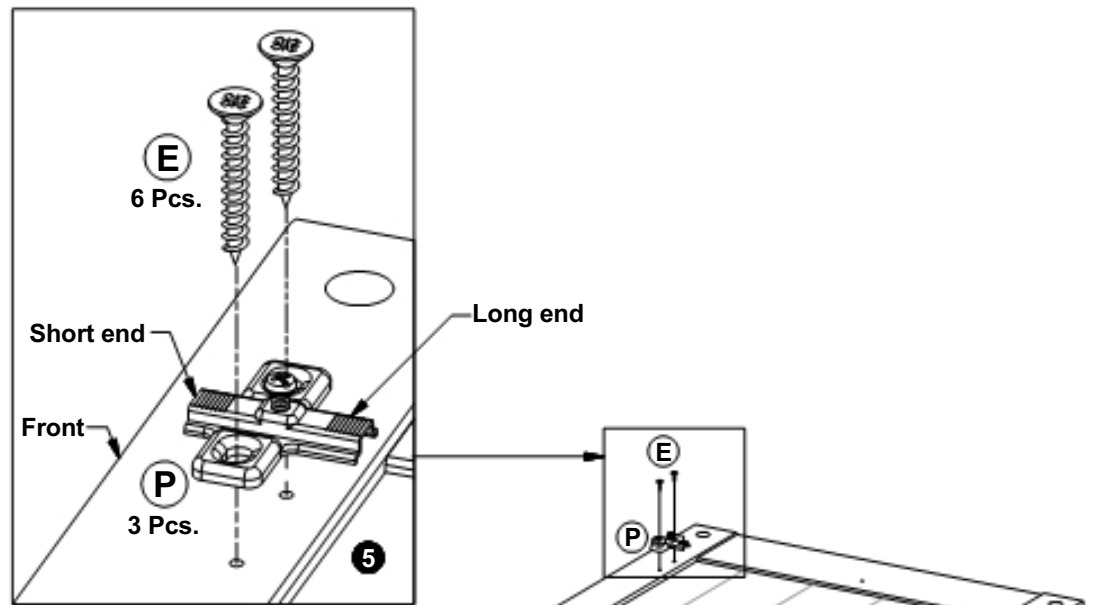
Fix the cross plates "P" to the sides "5" & "6" using the screws "E" into the holes indicated.

It is important that the cross plates is placed exactly as shown.

The short end of the cross plates must point towards the front edge of the sides.

For the left hand side - See fig. 1.1

For the right hand side - see fig. 1.2



2. Mounting the Hanging Rail Cups to the Sides.

Fix the hanging rail cups "L" onto the sides "5" and "6" using screws "D" into the pre-drilled holes.

See fig. 2.1

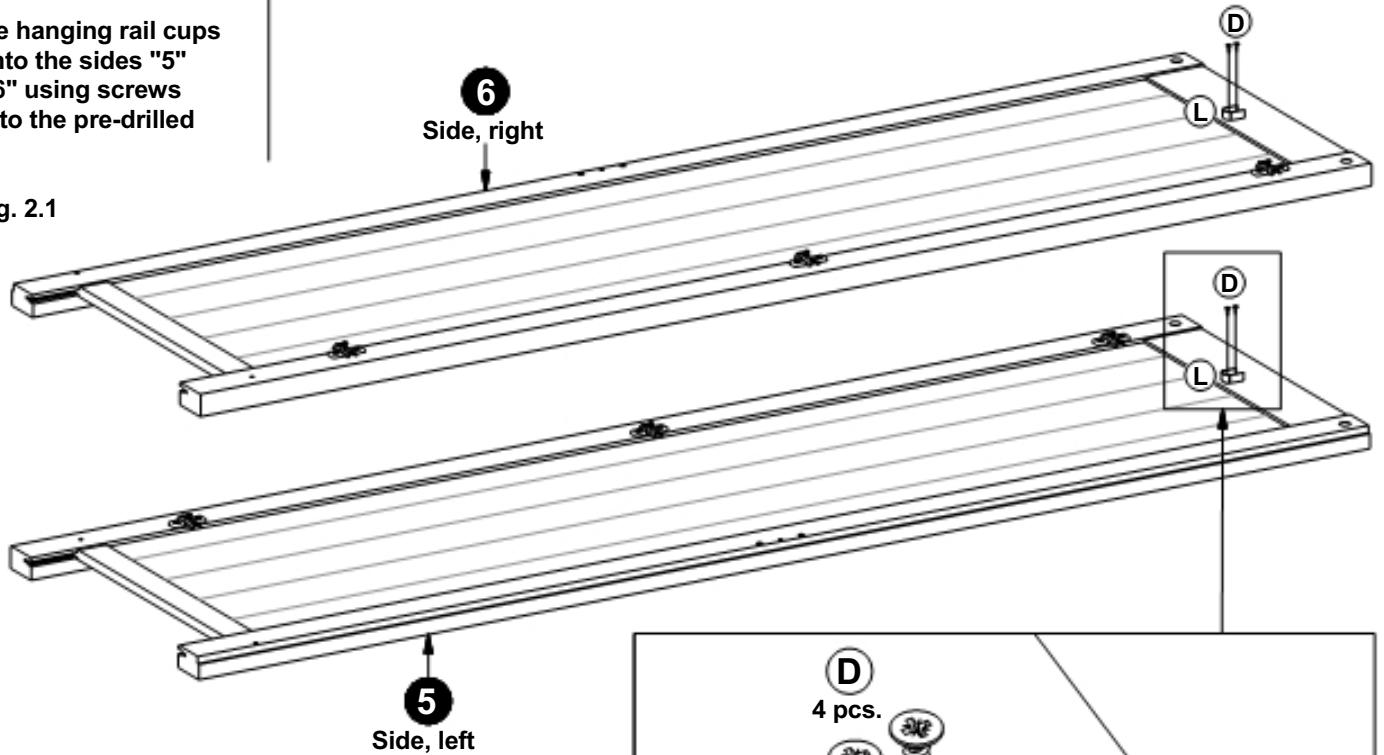
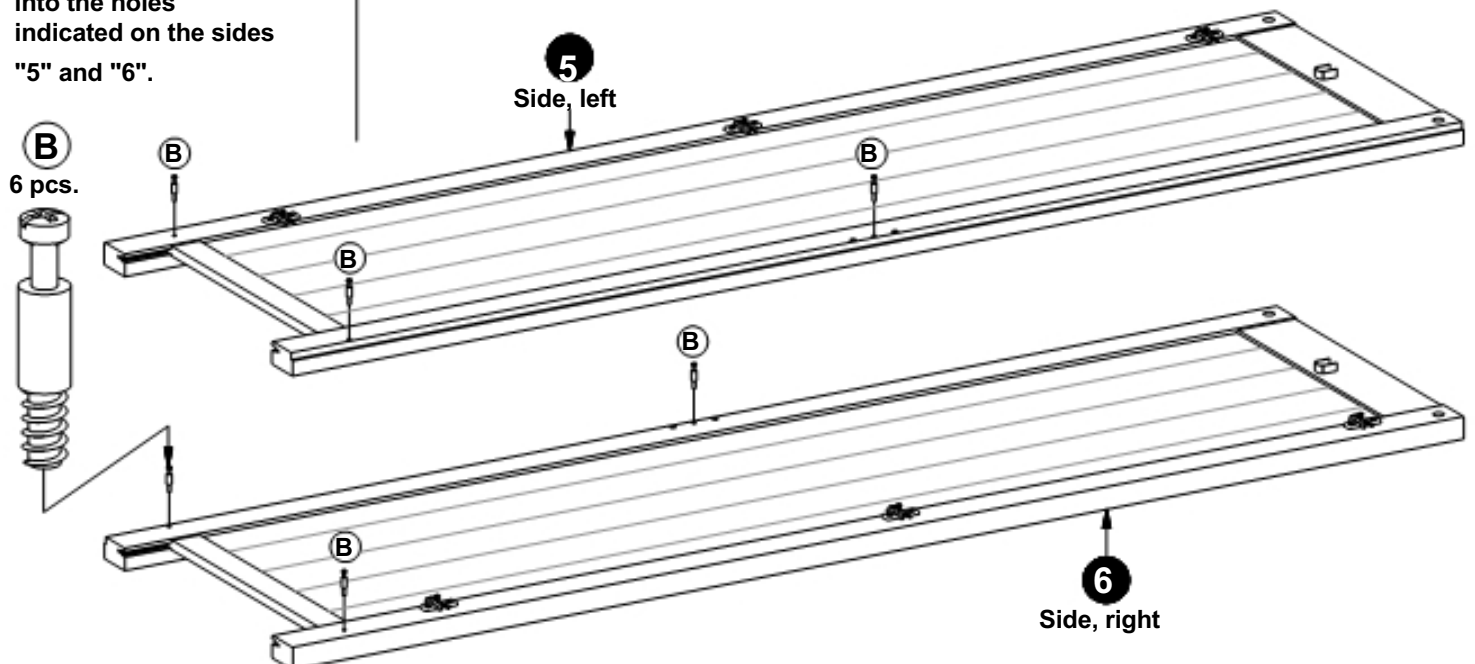


Fig. 2.1

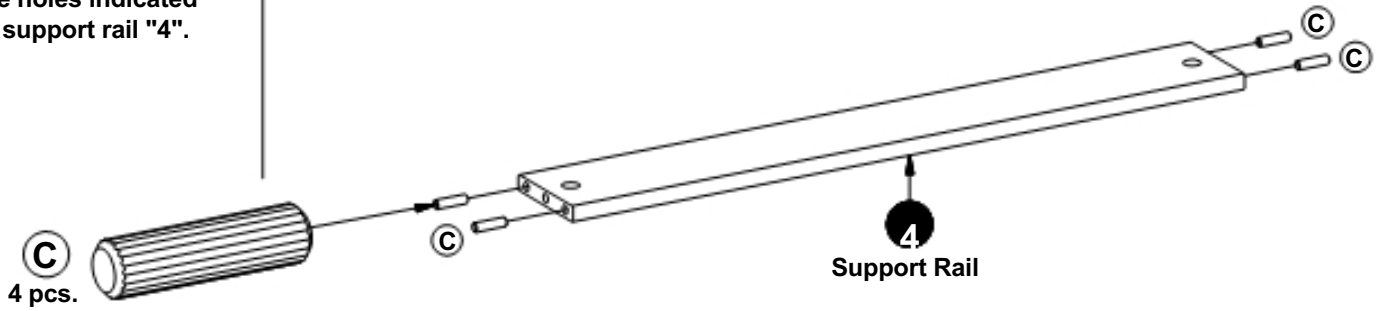
3. Mounting the bolts to the sides.

Screw the bolts "B" into the holes indicated on the sides "5" and "6".



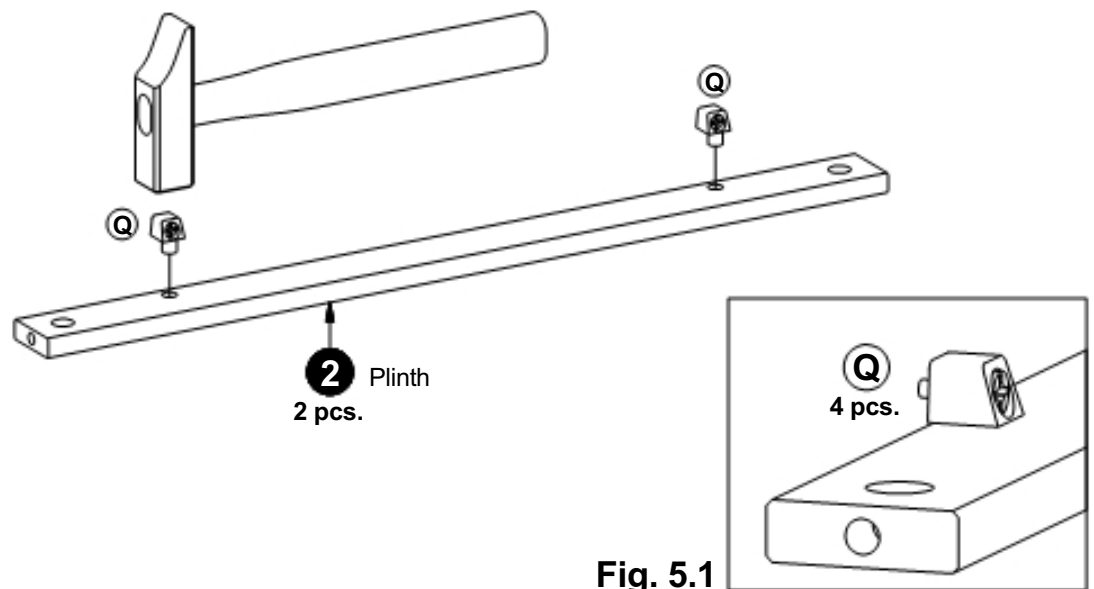
4. Adding the dowels to the support rail.

Knock the dowels "C" into the holes indicated on the support rail "4".



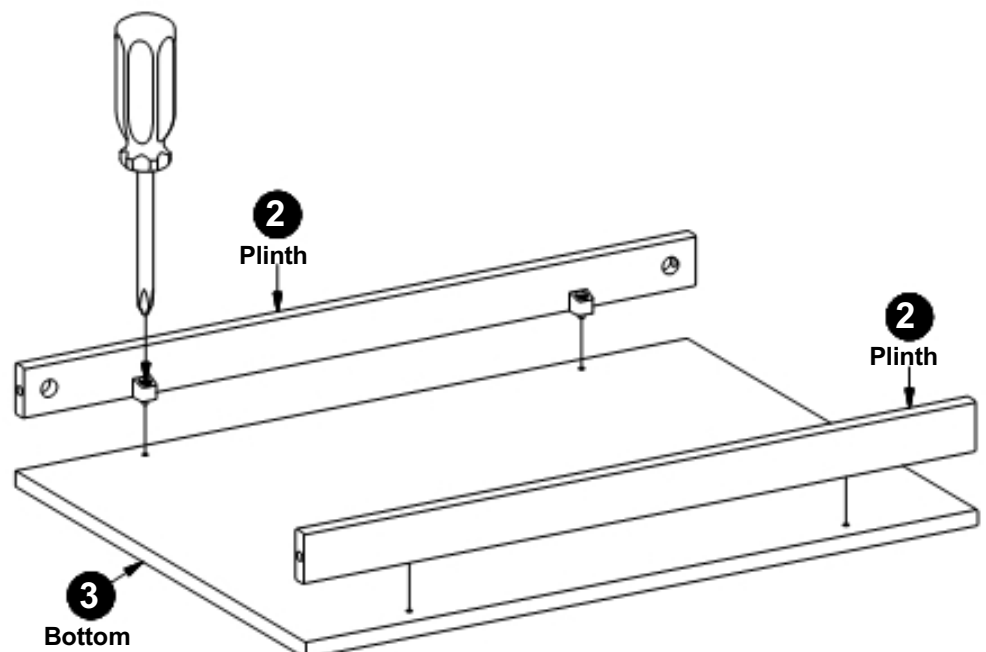
5. Adding the miniblocks to the plinths.

Knock the miniblocks "Q" into the holes indicated on both the plinths "2".



6. Mounting the plinths to the bottom.

Fix the plinths "2" to the bottom "3" using the screws in the miniblocks "Q".



7. Adding the plinths & the support rail to the left side.

Press the side "5" onto the plinths "2" and the support rail "4".

See page 4 "Function of the cam and bolt".

Note the chamfer

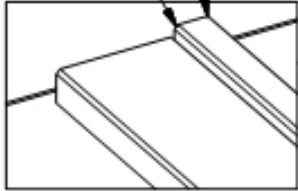
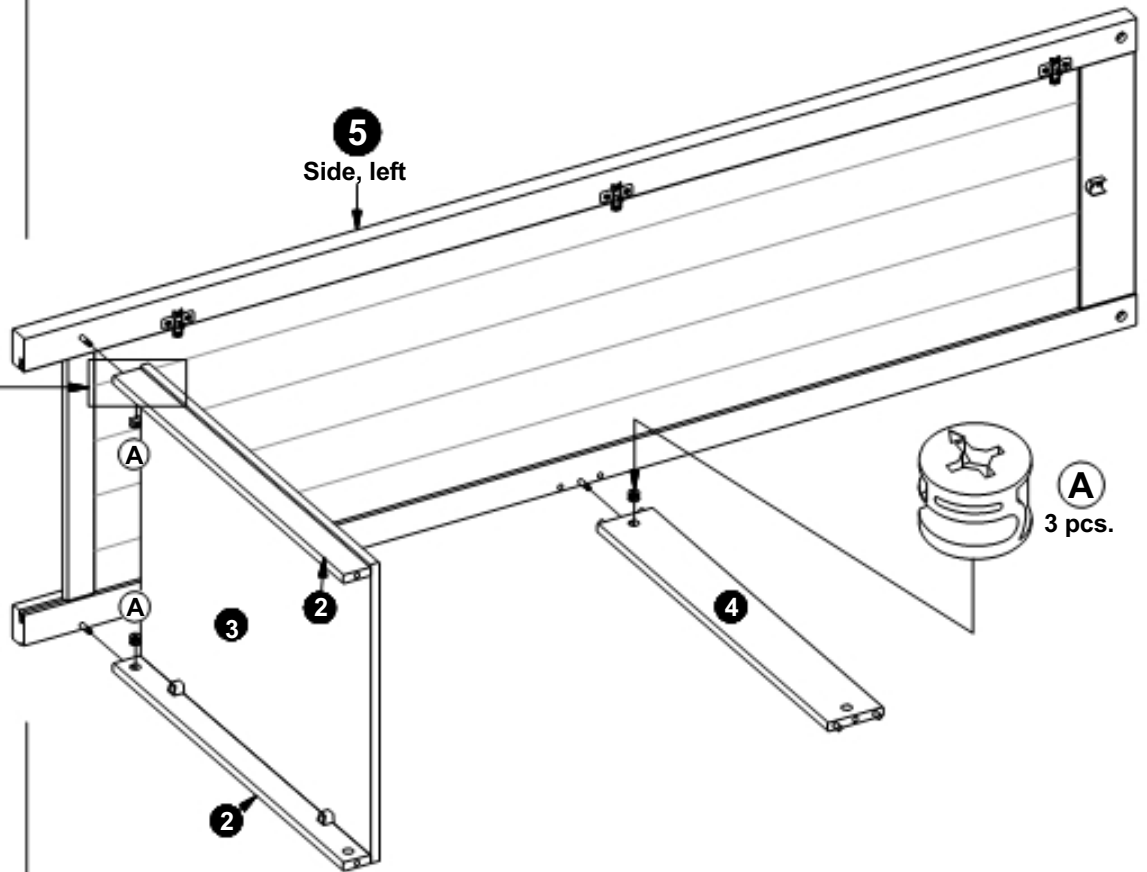


Fig. 7.1

Place the cams "A" into the holes indicated, arrows pointing towards the side / bolt.

Tighten:
Turn the cams to the right.



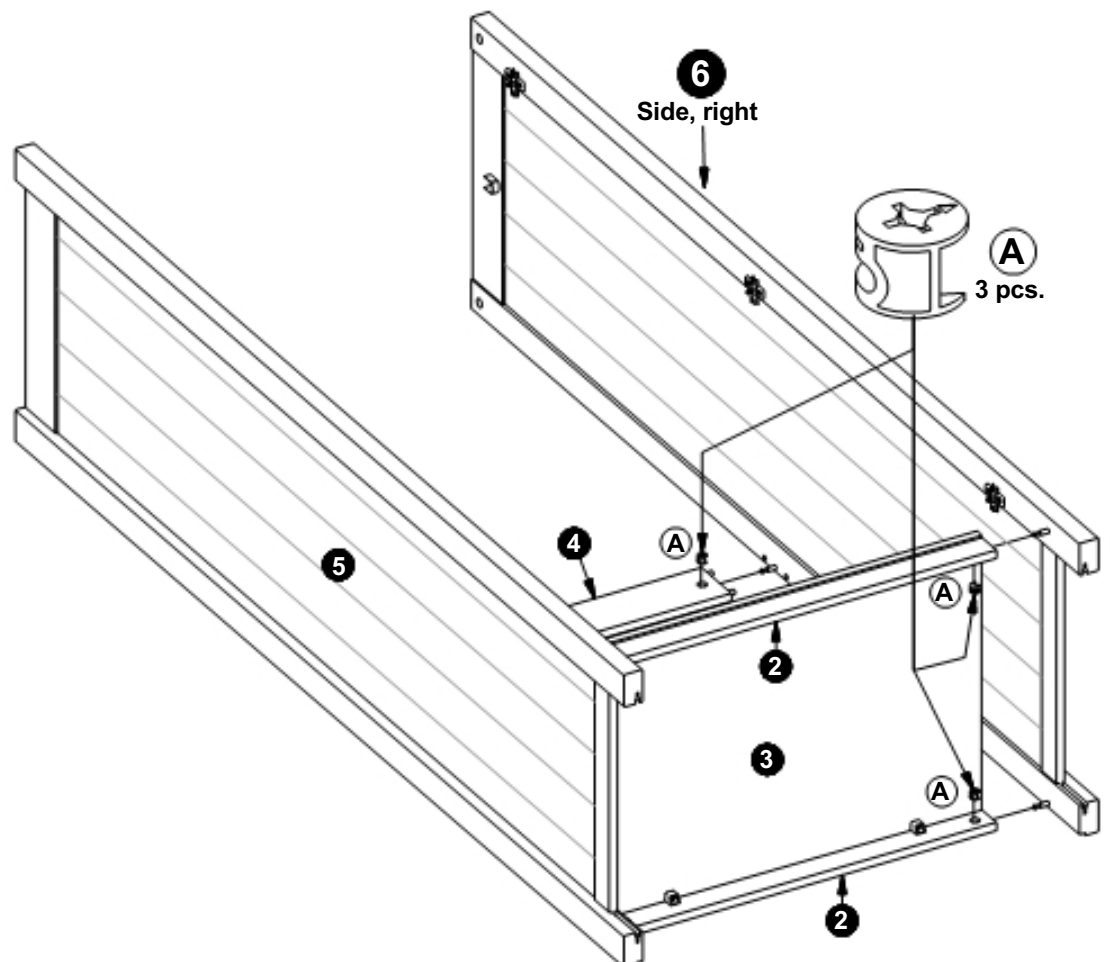
8. Adding the right side to the plinths & the support rail.

Press the side "6" onto the plinths "2" and the support rail "4".

See page 4 "Function of the cam and bolt".

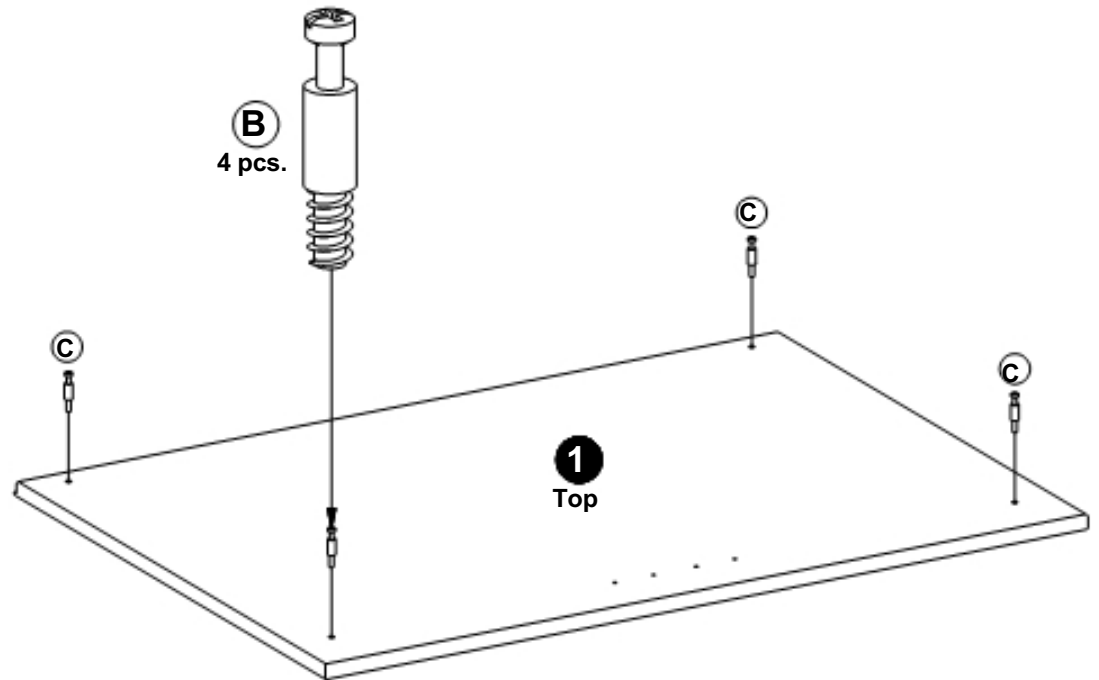
Place the cams "A" into the holes indicated, arrows pointing towards the side / bolt.

Tighten:
Turn the cams to the right.



9. Mounting the bolts to the top.

Screw the bolts "B" into the holes indicated on the top "1".



10. Mounting the magnets to the top.

Fix the magnets "H" to the top "1" using screws "D" into the pre-drilled holes.

It is important that the magnetic part points towards the front edge of the top.

See fig. 10.1

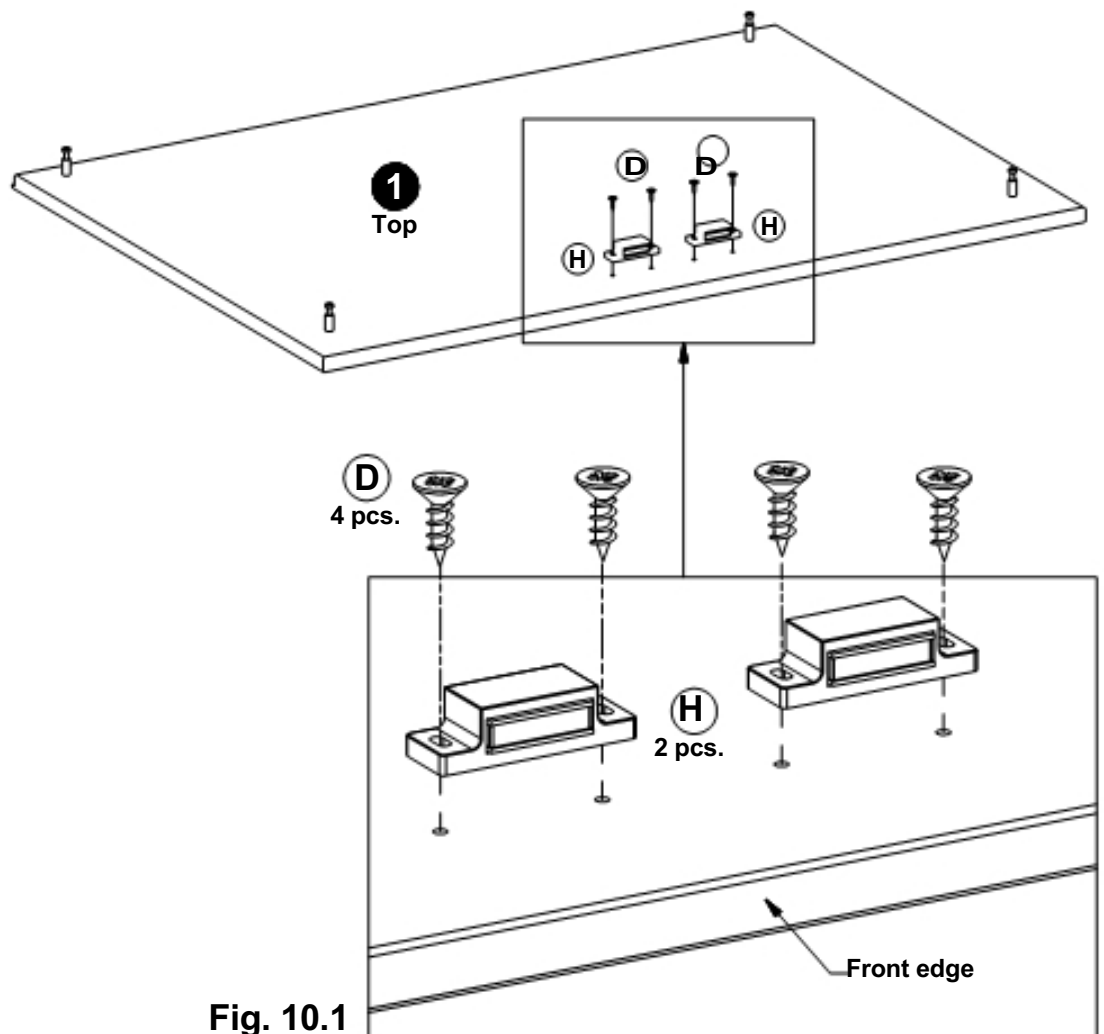


Fig. 10.1

11. Assembling the top to the sides.

Lower the top "1" onto the sides "5" and "6".

See page 4 "Function of the cam and bolt".

Place the cams "A" into the holes indicated, arrows pointing towards the top / bolt.

Tighten:
Turn the cams to the right.

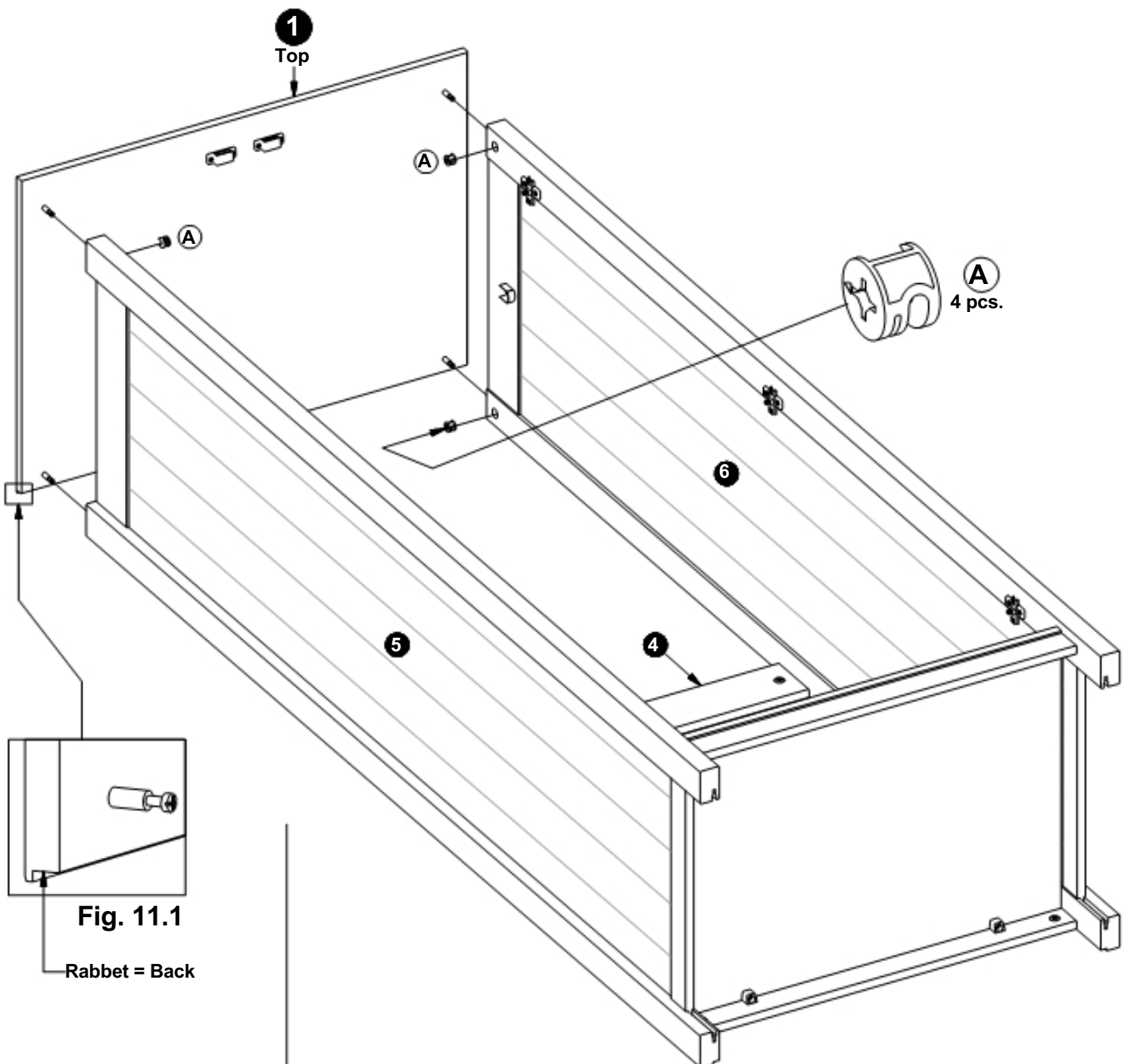


Fig. 11.1

Rabbit = Back

12. Adding the back to the carcass - 1.

Place the back "9" into the rabbet of the top "1" and the side "6".

Ensure there is **NO GAP** between the side and the back, **NOR** between the top and the back.

Fasten the back with nails "G" along the top. Use the nail guide "M" - see fig. 12.4

The angle between the top and the side must be 90 degrees. Fig. 12.2

To accomplish this, ensure there is **NO GAP** between the side and the back.

Fasten the back along the side and the bottom. Use the nail guide as shown in fig. 12.5.

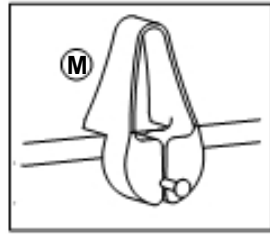


Fig. 12.4

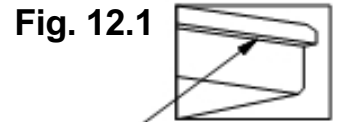


Fig. 12.1

Rabbet = Back

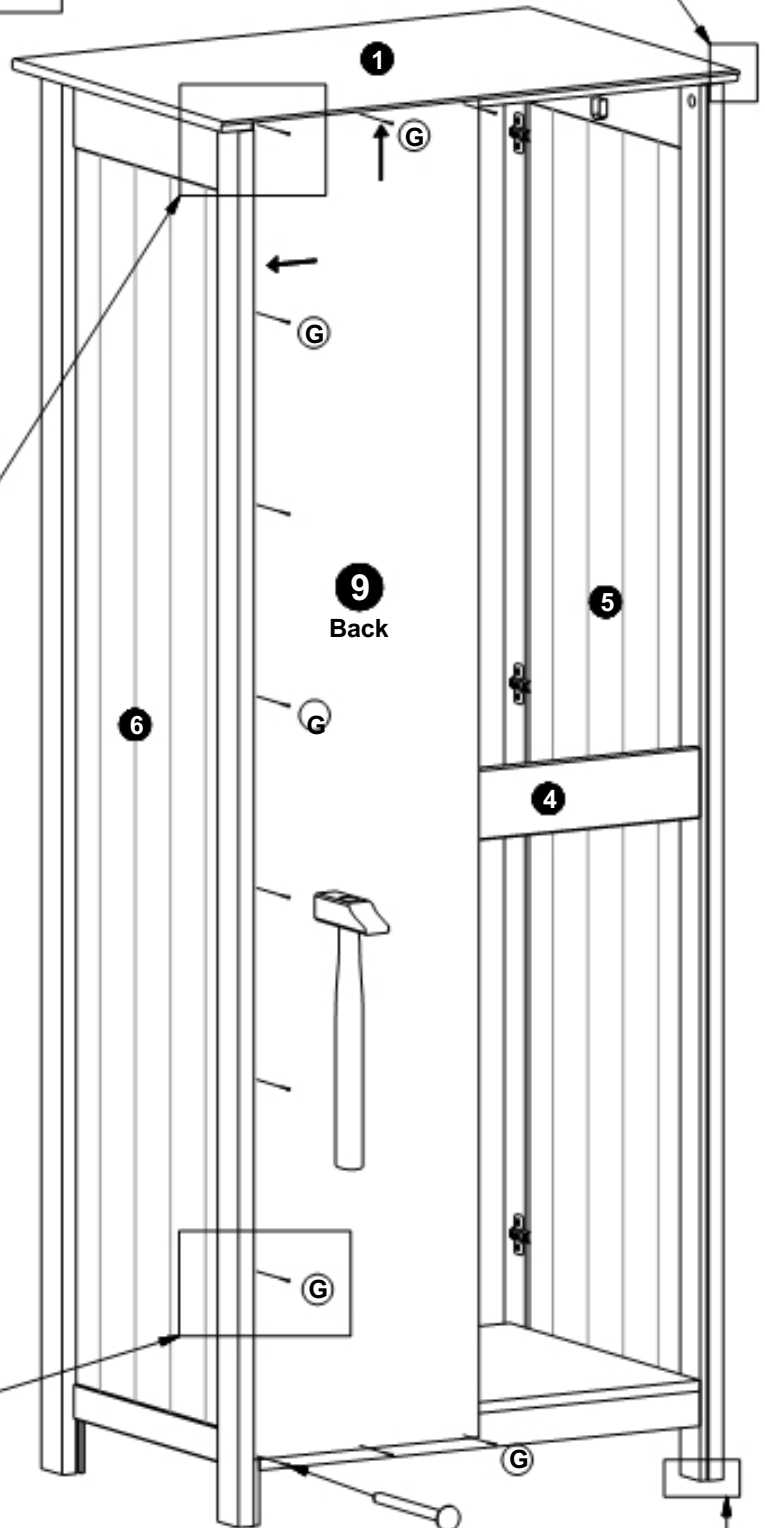


Fig. 12.2

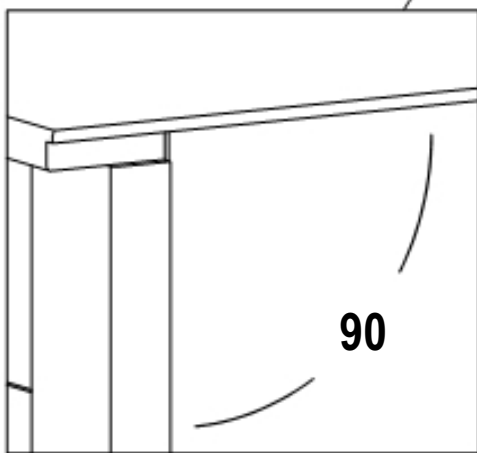
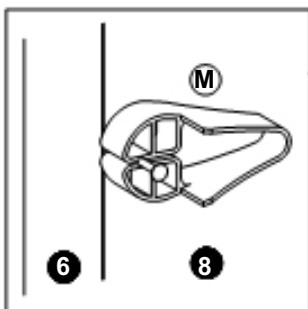


Fig. 12.5



12 pcs.

Rabbet = Back

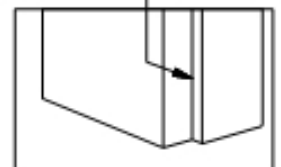


Fig. 12.3

13. Adding the back and the joining strip to the carcass.

Place the joining strip "R" onto the back.
See fig. 13.1

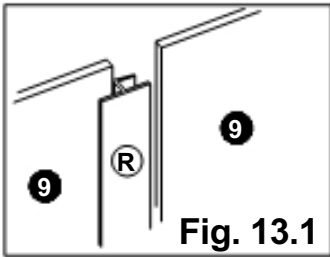
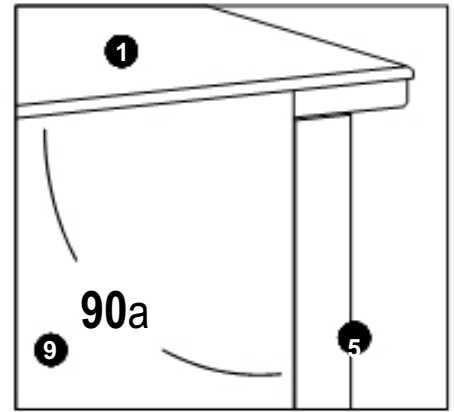


Fig. 13.2



Place the back into the rabbet of the top "1" and the side "5".

Ensure there is NO GAP between the side and the back, NOR between the top and the back.

Fasten the back along the top. Use the nail guide - see page 11, fig. 12.4.

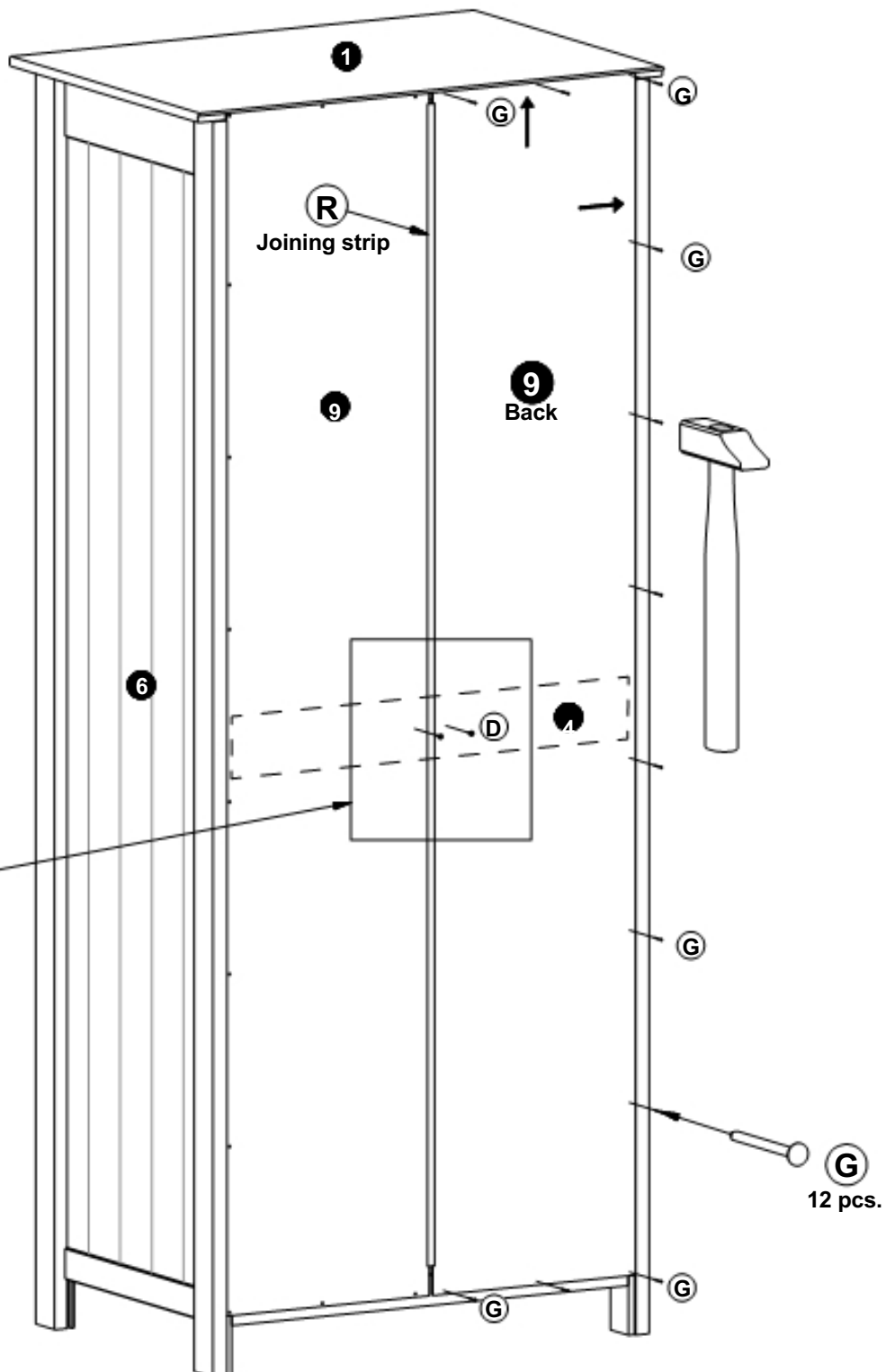
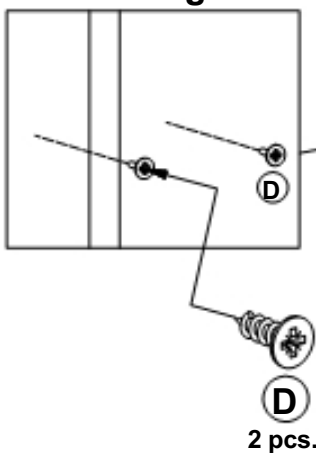
Ensure there is NO GAP between the side and the back.

Fasten the back along the side and the bottom. Use the nail guide - see page 11, fig. 12.5

Fix the back onto the support rail "4" using screws "D".

See fig. 13.3

Fig. 13.3



14. Mounting the cup hinges to the doors.

Lower the cup hinges "N" into the holes indicated on the doors "7" and "8".

Fix the hinges using screws "D".

Fig. 14.1

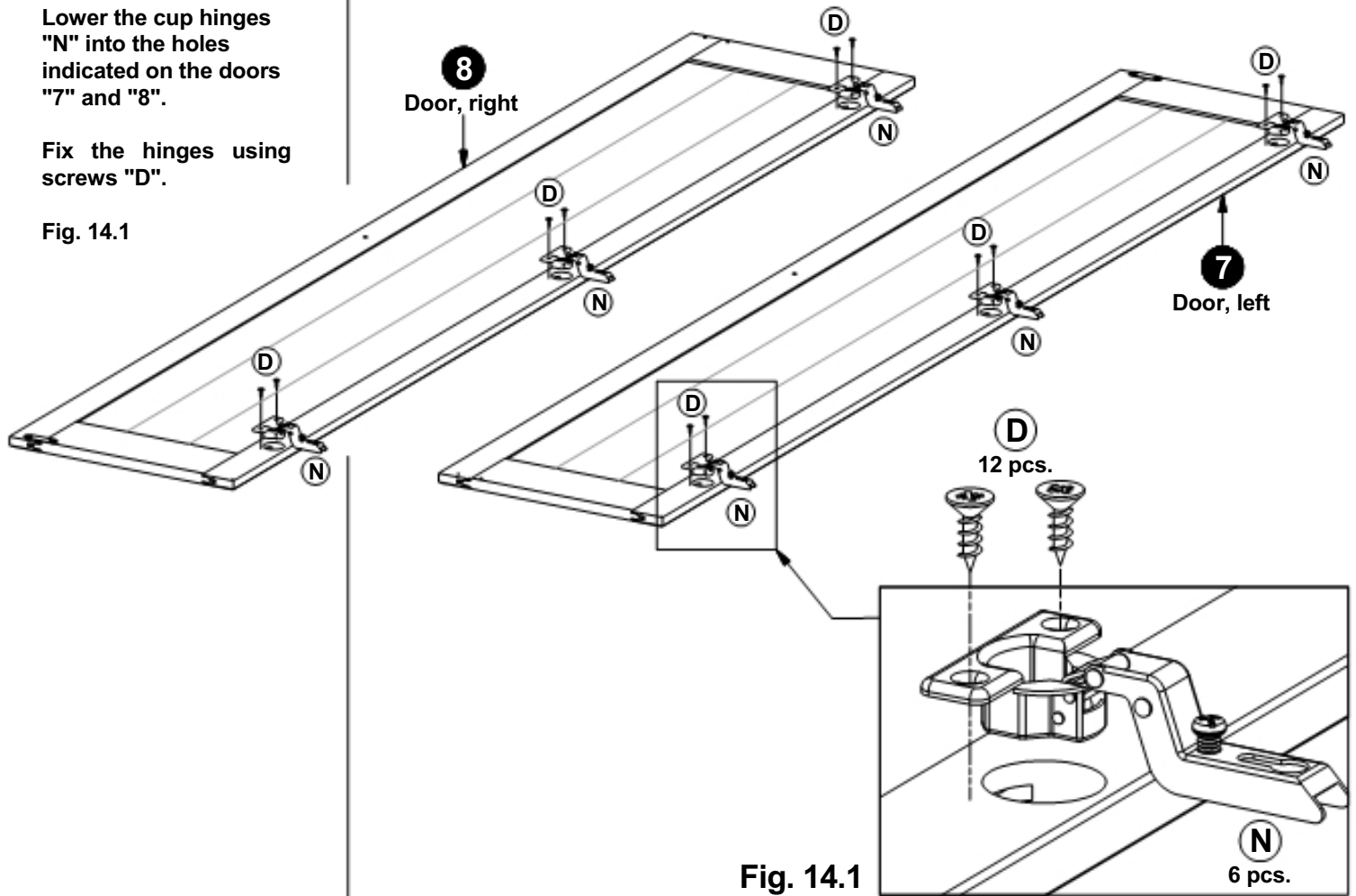
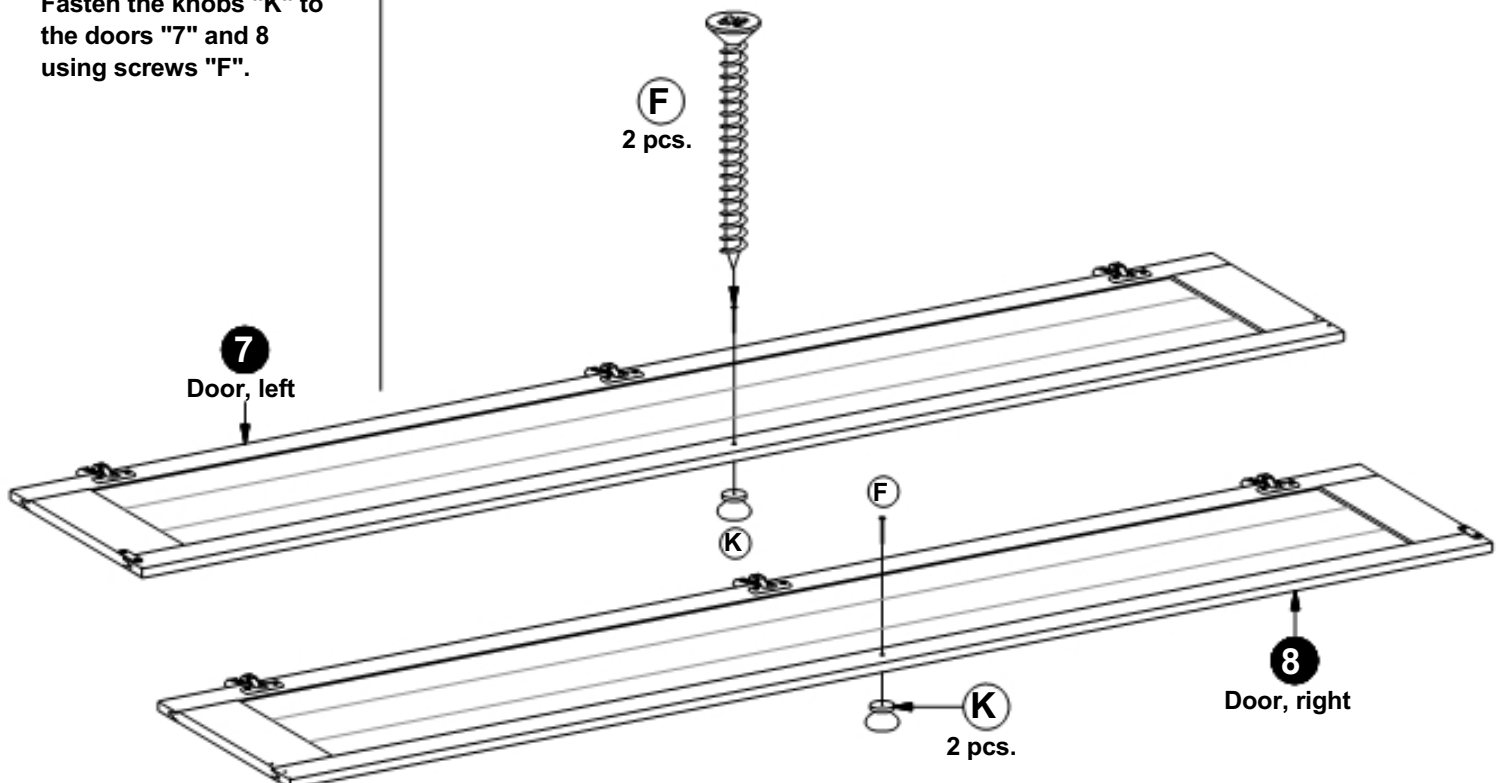


Fig. 14.1

15. Mounting the knobs to the doors.

Fasten the knobs "K" to the doors "7" and 8 using screws "F".



16. Mounting the doors to the carcass.

When placing the doors, the magnet catches **MUST** point upwards.

Step 1

Place the adjustment hole of the cup hinge at the level of the fixing screw. Push the cup hinge towards the cross plate - placing the fixing screw in the wider part of the adjustment hole.

It is very **IMPORTANT** to catch all three of the fixing screws.

Step 2

Push the door / cup hinge inwards - placing the fixing screw in the narrow end of the adjustment hole.

Step 3

Tighten the fixing screws of all three of the cross plates.

Fig. 16.1

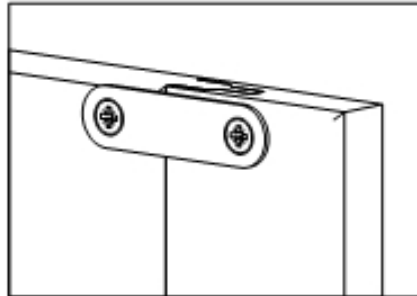


Fig. 16.2

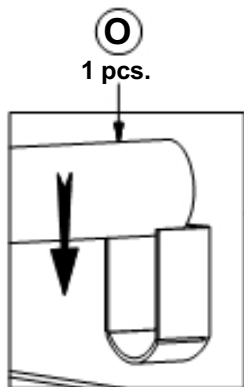
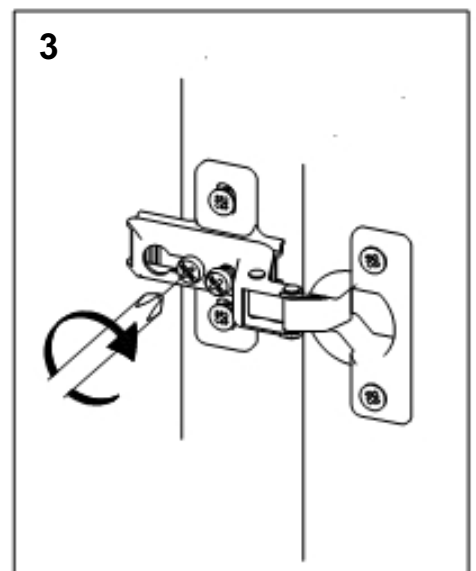
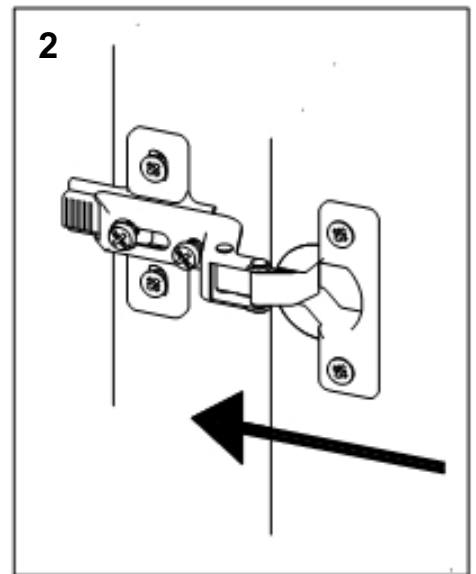
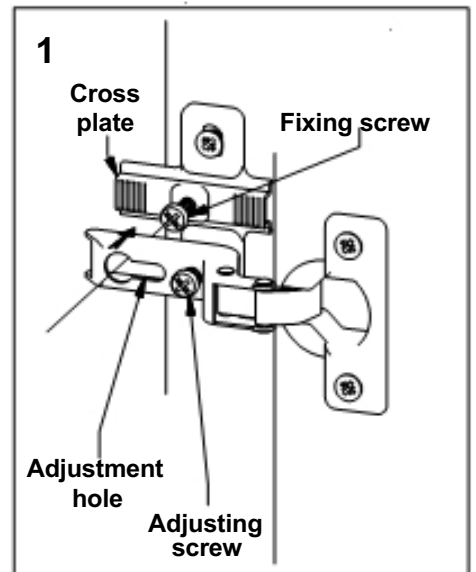
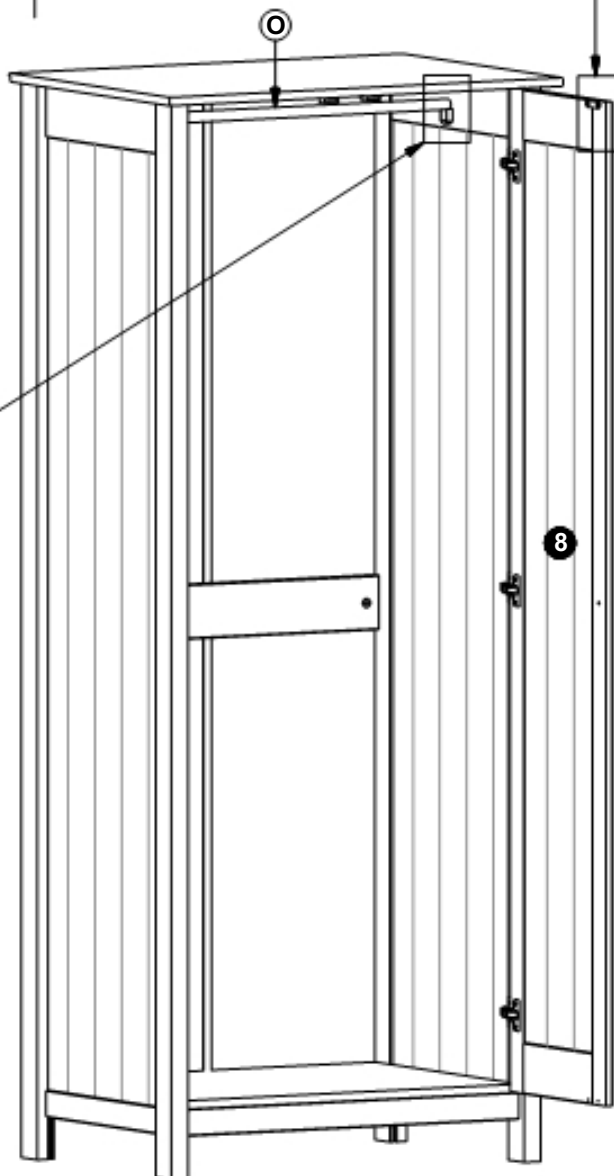


Fig. 16.3

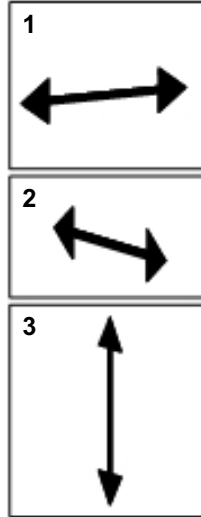
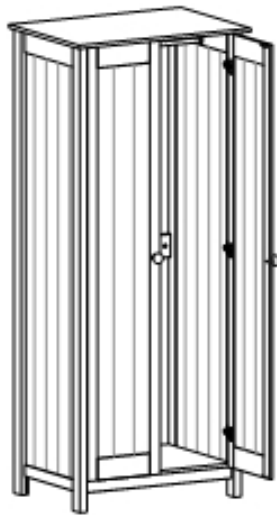
Lower the hanging rail "O" into the hanging rail cups "L".

See fig. 16.3



17. Adjusting the doors.

MAKE SURE THE WARDROBE IS PLACED ON A PLANE SURFACE BEFORE YOU BEGIN TO ADJUST THE HINGES.



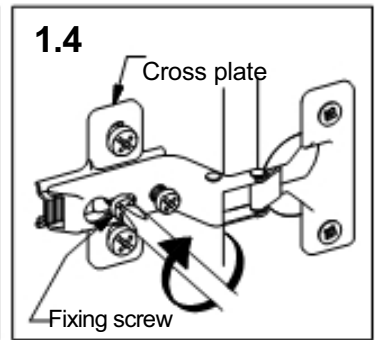
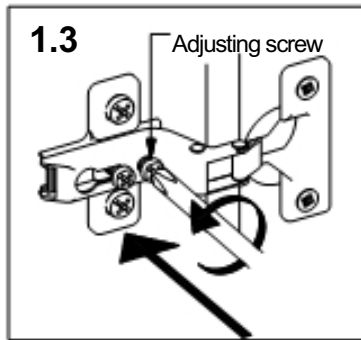
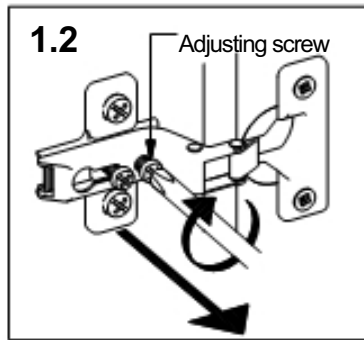
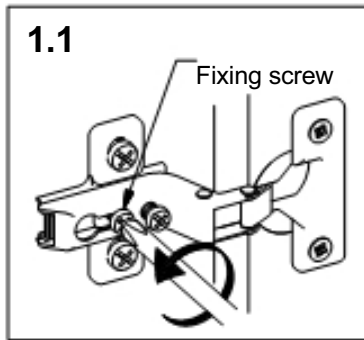
Step 1 - right or left:

Loosen the fixing screw.

To adjust the door towards the left hand side - turn the adjusting screw to the right.

To adjust the door towards the right hand side - turn the adjusting screw to the left.

Continue adjustment - see step 2 - or tighten the fixing screws of the cross plates.

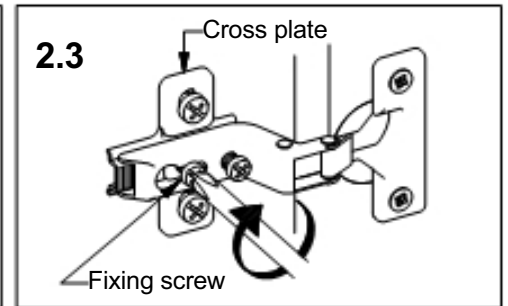
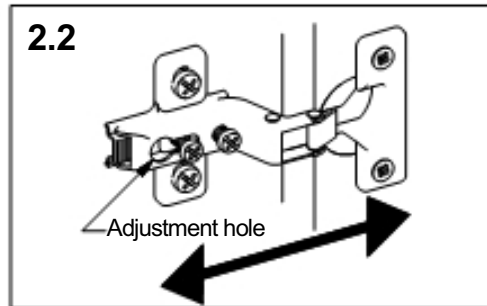
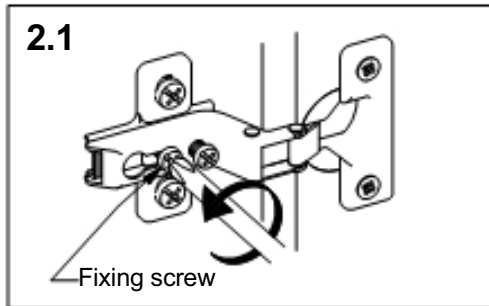


Step 2 - forwards or backwards:

Loosen the fixing screw.

Push the cup hinges / the door back OR forth to adjust. The door should level with the front edge of the sides.

Tighten the fixing screws of ALL the cross plates.

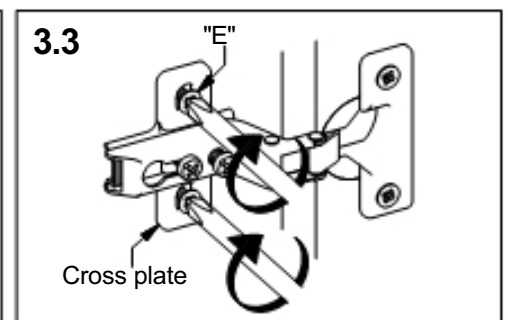
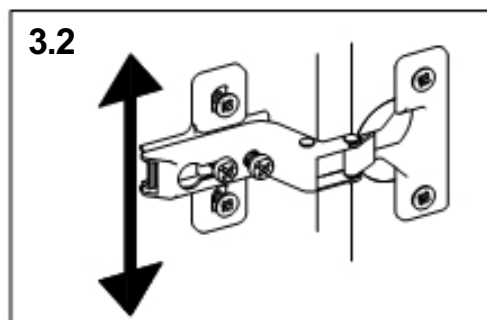
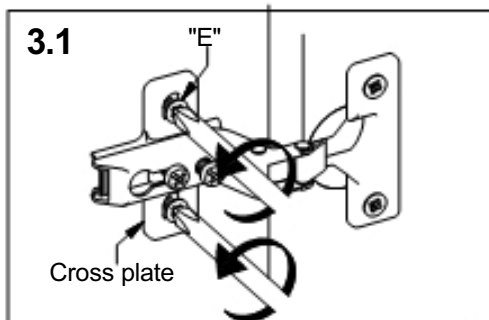


Step 3 - up or down:

Loosen the two screws "E" of each cross plate, BUT ONLY as much as it will allow the cross plate to move up and down.

Adjust the cross plate / the door.

Tighten the screws "E" of ALL the cross plates.



18. Mounting the wall strap.

Fixing to wall

It is recommended that the wardrobe is fixed to a wall.

Fix wall strap **T** to top of wardrobe using screw **D**.

Will help, move wardrobe into position.



Warning:
The wardrobe is heavy.
Lift with care.

Mark fixing hole on wall and remove wardrobe.

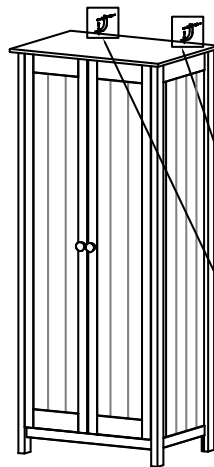
Drill 7mm hole and insert wall plug **U**.



Warning:
Before drilling, check wall for hidden pipes and cables.

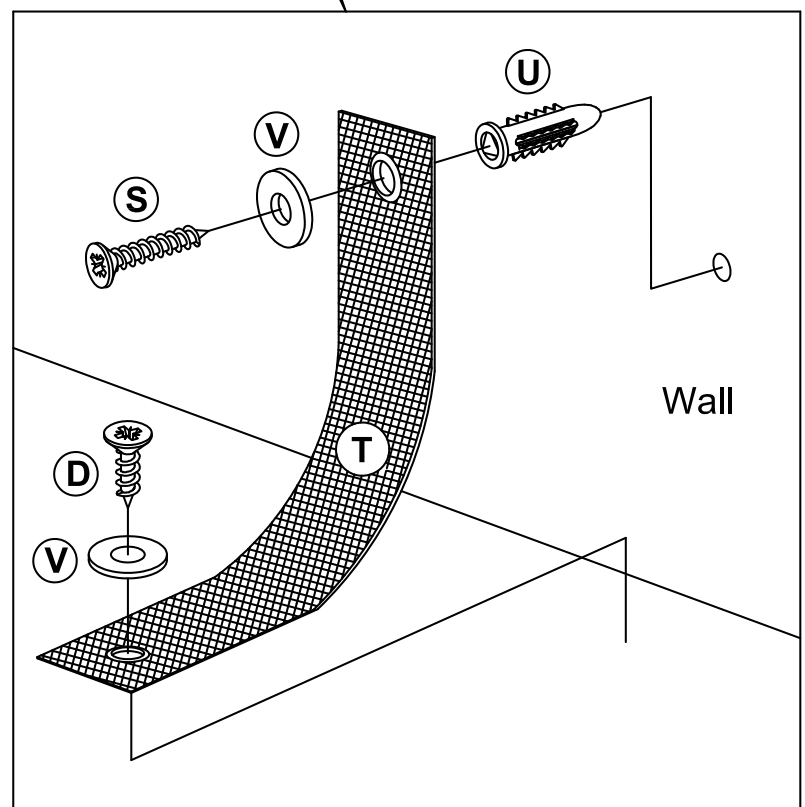
Reposition wardrobe and fix wall strap using screw **S**.

Assembly is complete.



Note: Wall plugs supplied are for solid walls only.

The correct type of fixing must be used for your wall, seek professional advice if in doubt.



Dear Customer.

Please note that the product you have purchased is a natural living timber.

Just like nature itself, wood varies in shape and colour. Knots, vein patterns, resin pockets and colour differences contribute to giving the piece of furniture its beauty and form - a natural part of solid wood.

Although the tree has been cut down and dried, it is still alive and therefore will react to high and low temperatures, light, humidity, drought and time.

In cold and dry periods, the wood contracts which may lead to small cracks in the piece of furniture. The reverse happens in warm and humid periods where the wood expands and this may result in slight unevenness.

The colour of the wood also changes with time, particularly if the furniture is placed in a light place. This is a natural process and part of owning a piece of furniture made of solid wood.

Any flexing that has occurred during transport will re-correct it self once this product is correctly assembled.

Tighten all joints of the furniture after six months.

Please keep these instructions in a safe place for future use.

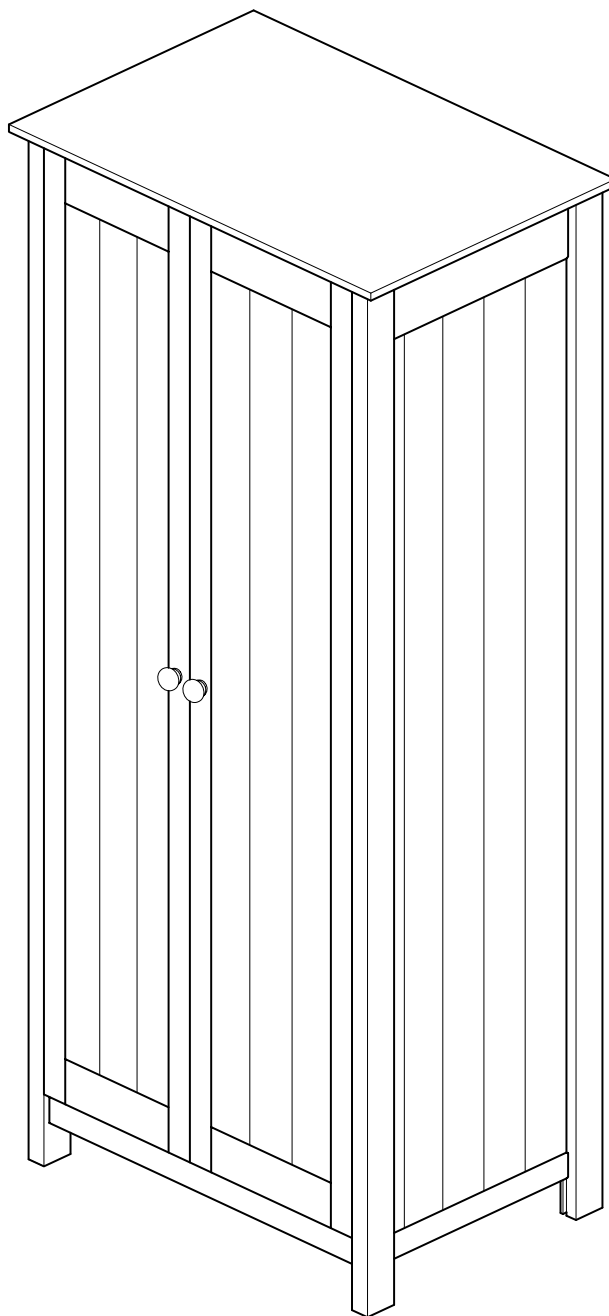
Scandinavia - 2 Door Robe

Assembly Instructions - Please keep for future reference

630/1992

658/1585

643/3846



Dimensions

Width - 75cm
Depth - 53cm
Height - 179.9cm

Important - Please read these instructions fully before starting assembly

If you need help or have damaged or missing parts, call the **Customer Helpline: 08456 400800**



Safety and Care Advice

Important - Please read these instructions fully before starting assembly

- Check you have all the components and tools listed on pages 2 and 3.
- Remove all fittings from the plastic bags and separate them into their groups.
- Keep children and animals away from the work area, small parts could choke if swallowed.
- Make sure you have enough space to layout the parts before starting.

- Do not stand on the product, this could cause damage.
- Assemble the item as close to its final position (in the same room) as possible.
- Assemble on a soft level surface to avoid damaging the unit or your floor.
- Parts of the assembly will be easier with 2 people.



- We do not recommend the use of power drill/drivers **for inserting screws**, as this could damage the unit. Only use hand screwdrivers.

- Dispose of all packaging carefully and responsibly.

Care and maintenance

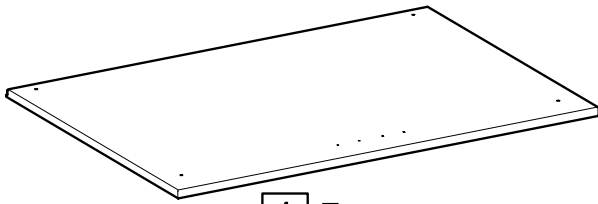
- Only clean using a damp cloth and mild detergent, do not use bleach or abrasive cleaners.
- From time to time check that there are no loose screws on this unit.
- This product should not be discarded with household waste. Take to your local authority waste disposal centre.

Note: if required the next page can be cut out and used as reference throughout the assembly. Keep this page with these instructions for future reference.

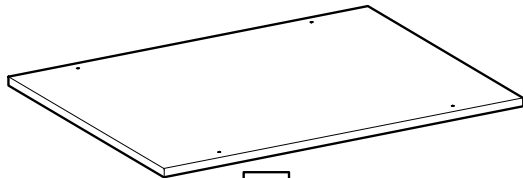
Components - Panels

If you have damaged or missing components, call the **Customer Helpline: 08456 400800**

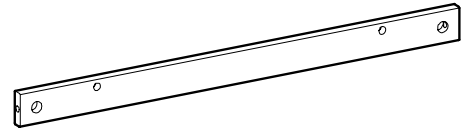
Please check you have all the panels listed below



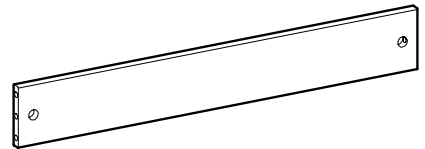
1 Top (75 x 53cm)



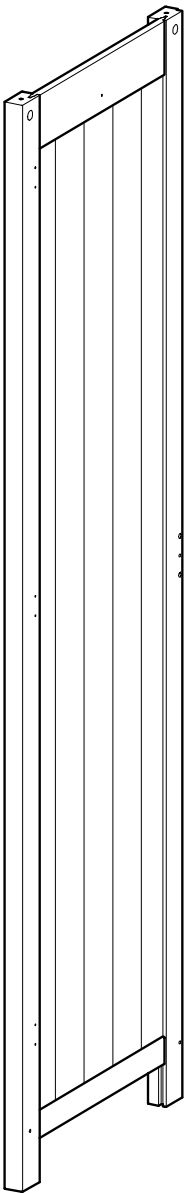
3 Bottom (64 x 48cm)



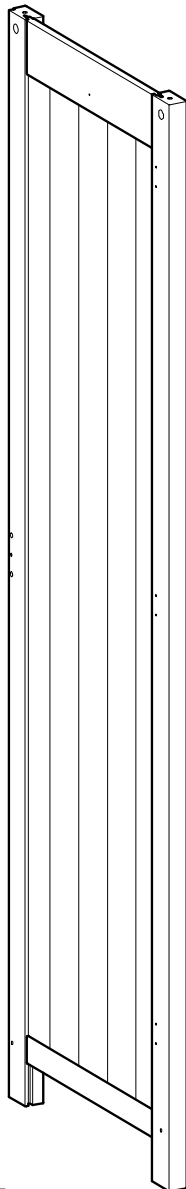
2 Plinth x 2 (64 x 4.5cm)



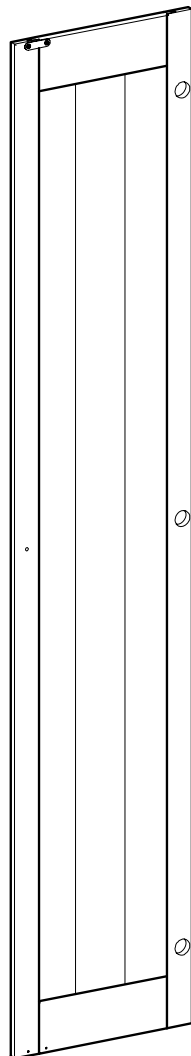
4 Support rail (64 x 9cm)



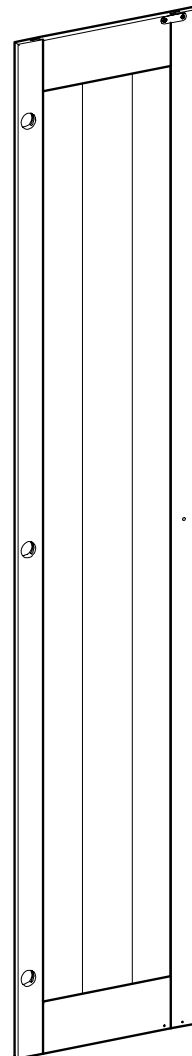
5 Left side (178.5 x 49.8cm)



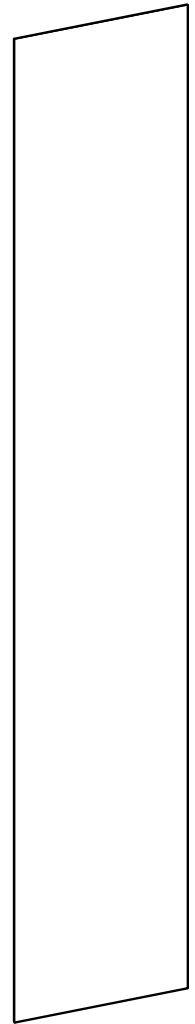
6 Right side (178.5 x 49.8cm)



7 Left door (166.6 x 31.6cm)



8 Right door (166.6 x 31.6cm)



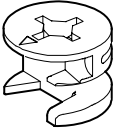

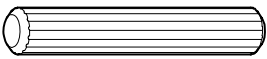



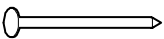
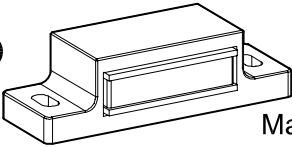
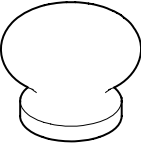
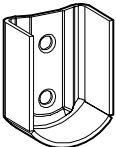
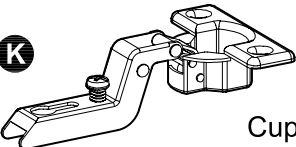
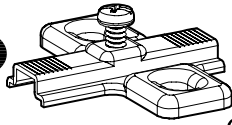
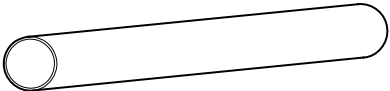
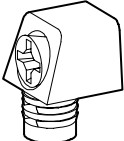

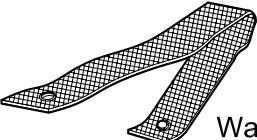

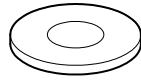
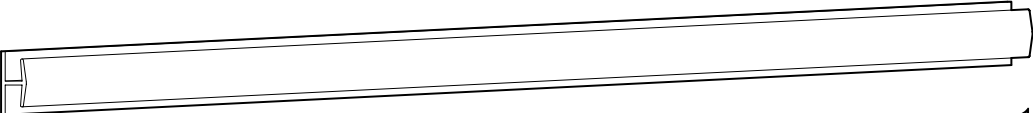
9 Back x 2 (171 x 32.7cm)



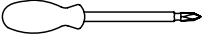
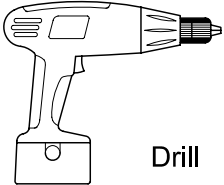
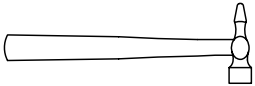
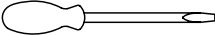


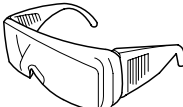
Components - Fittings

Please check you have all the fittings listed below

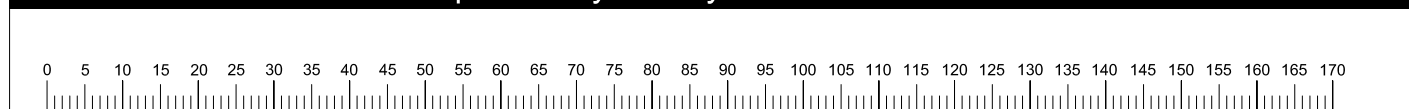
Note: The quantities below are correct amount to complete the assembly. In some cases more fittings may be supplied than are required.

A  Cam x 10	B  Locking pin x 10	C  30mm Dowel x 4
D  14mm Screw x 24	E  25mm Screw x 12	F  35mm Screw x 2
G  16mm Nail x 30	H  Magnet x 2	I  Knob x 2
J  Hanging rail cup x 2	K  Cup hinge x 6	L  Cross plate x 6
M  636mm Hanging rail x 1	N  Miniblock x 4	O  20mm Screw x 2
P  Wall strap x 2	Q  Wall plug x 2	R  Washer x 4
S  1653mm Joining strip x 1		

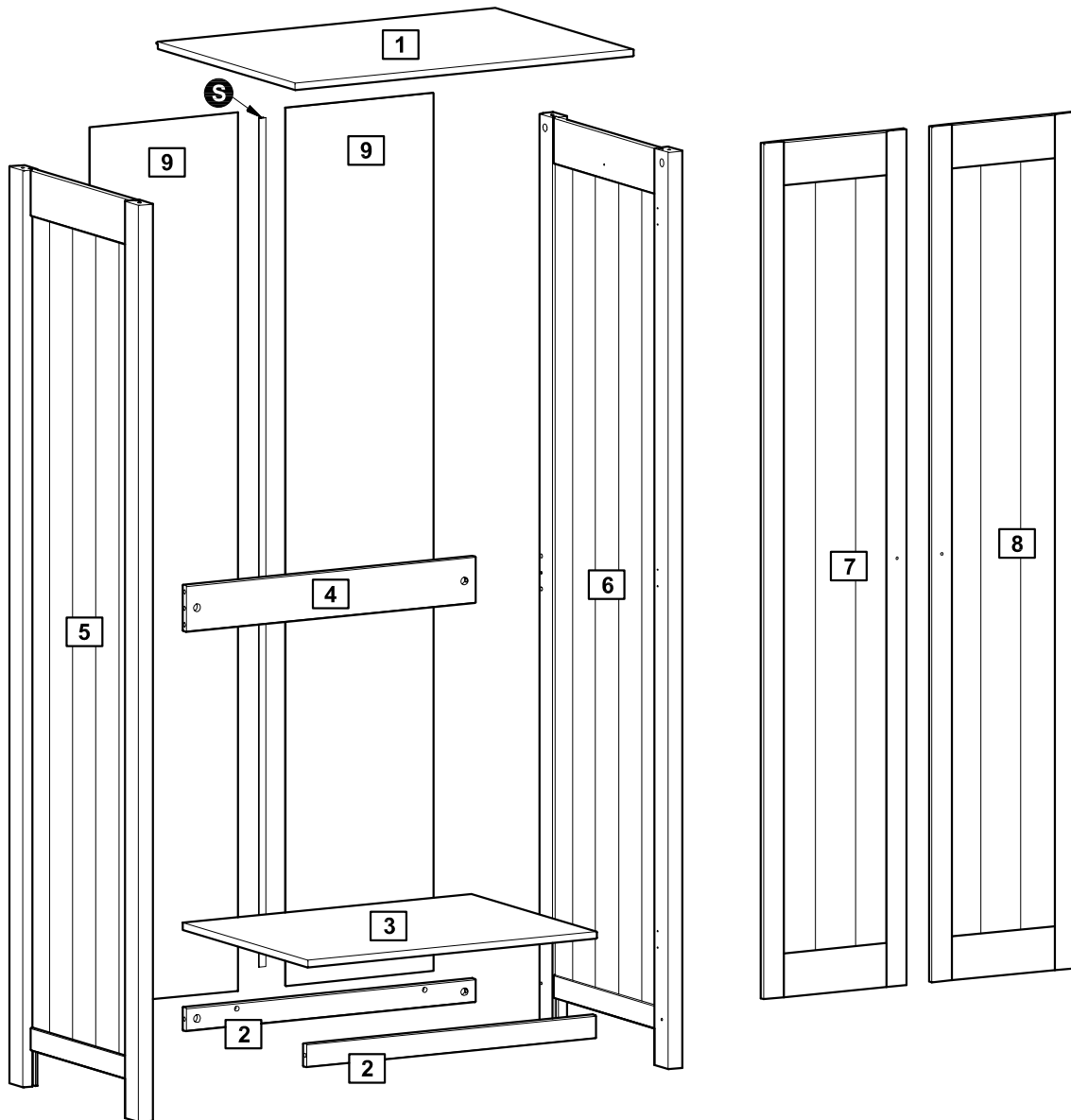
Tools required

	Philips screwdriver (medium & large)		Drill		Small hammer
	Flatblade screwdriver (medium)				Ruler/tape measure
	Suitable drill bit (for use with wall plug)				Eye protection (when using a hammer or glue)

Ruler - Use this ruler to help correctly identify the screws



Components - Key Diagram



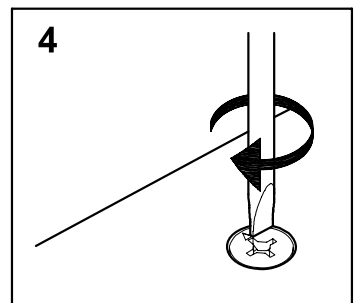
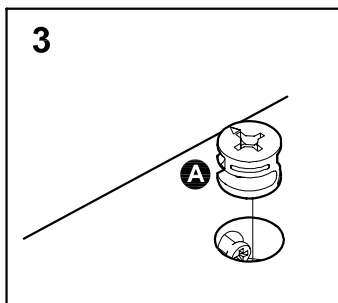
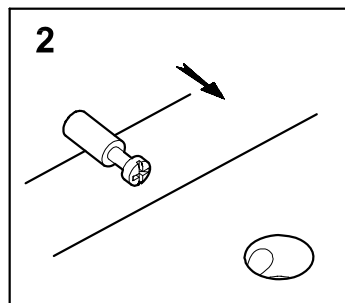
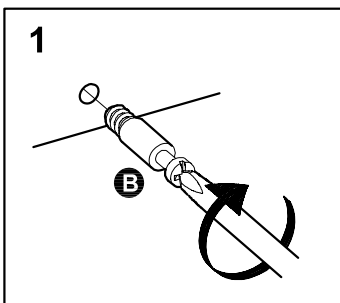
Function of Cam and Locking Pin

Step 1:
Fix the locking pin to the wooden panel.

Step 2:
Push the wooden panel with the attached locking pin onto the other wooden panel.

Step 3:
Place the cam into the hole, arrow pointing towards the locking pin.

Step 4:
Tighten: Turn the cam to the right.



Assembly Instructions

Step 1

Mounting the cross plates to the sides.

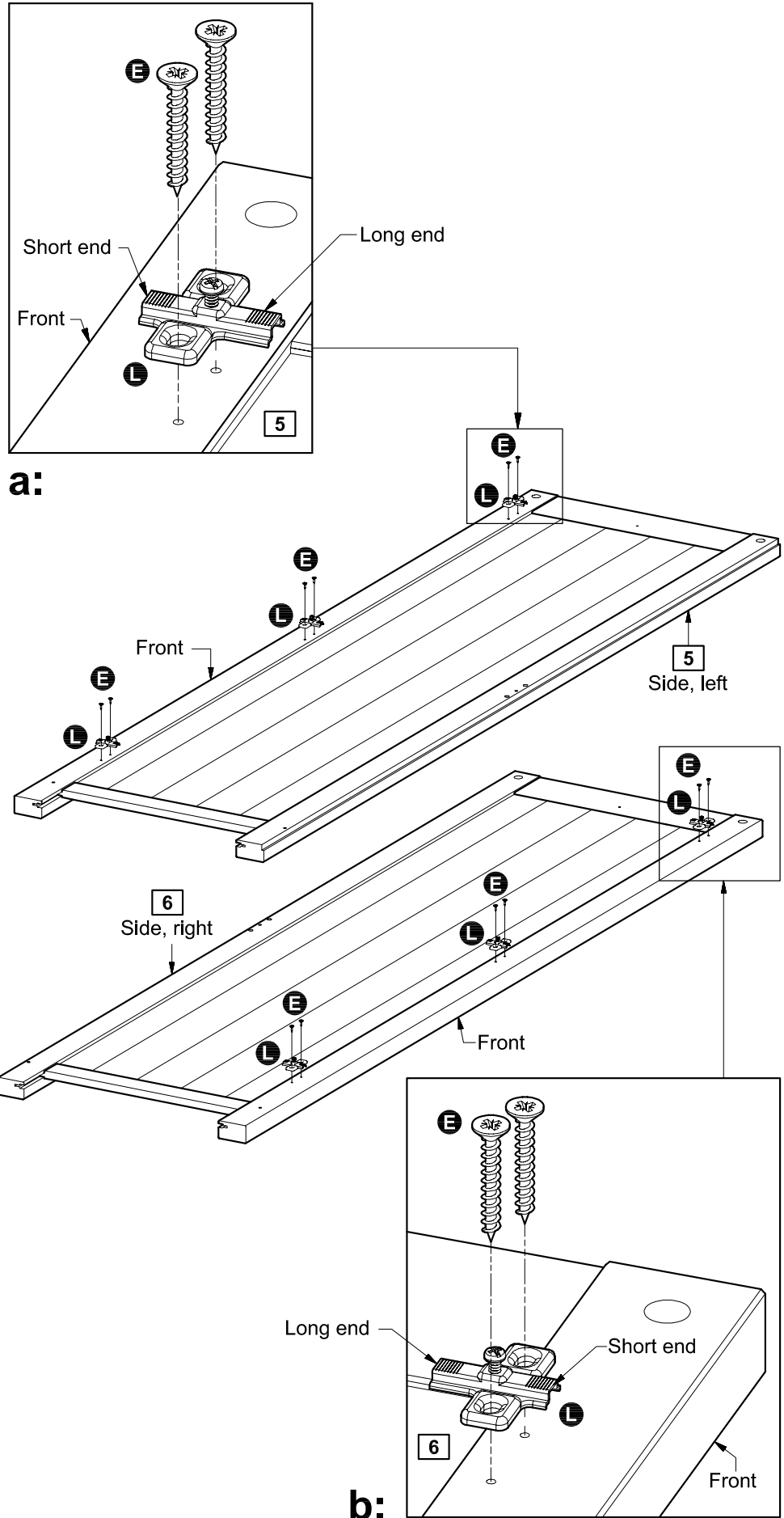
Fix the cross plates **L** to the sides **5** & **6** using the screws **E** into the holes indicated.

It is important that the cross plates are placed exactly as shown.

The short end of the cross plates must point towards the front edge of the sides.

For the left hand side **5**
See **a**:

For the right hand side **6**
See **b**:

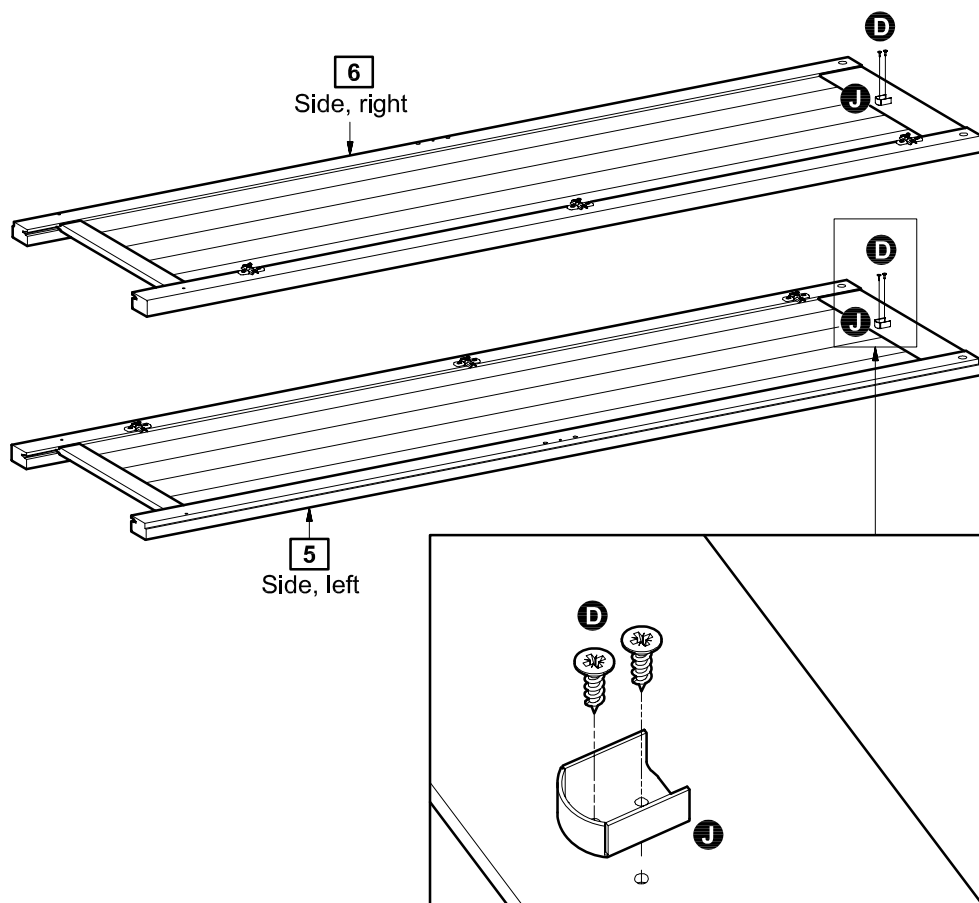


Assembly Instructions

Step 2

Mounting the hanging rail cups to the sides.

Fix the hanging rail cups **J** onto the sides **5** and **6** using screws **D** into the pre-drilled holes.

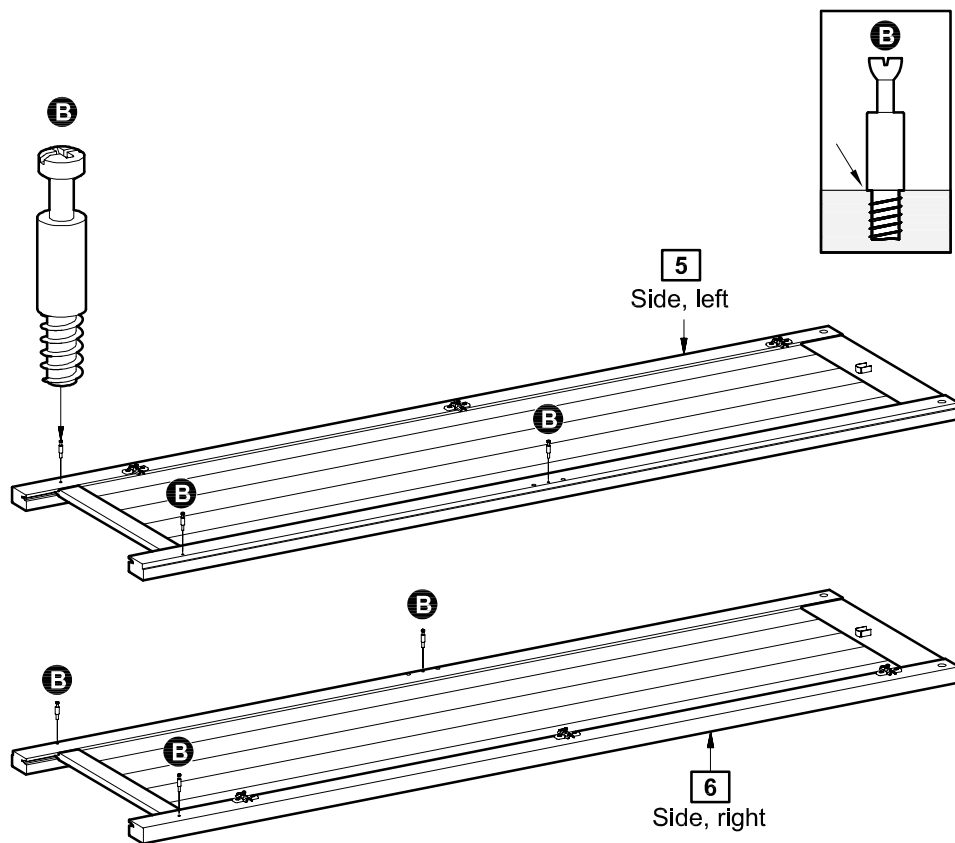


Step 3

Mounting the locking pins to the sides.

Screw the locking pins **B** into the holes indicated on the sides **5** and **6**.

Note: Insert locking pins **B** as far as shown. **Do not over tighten.**

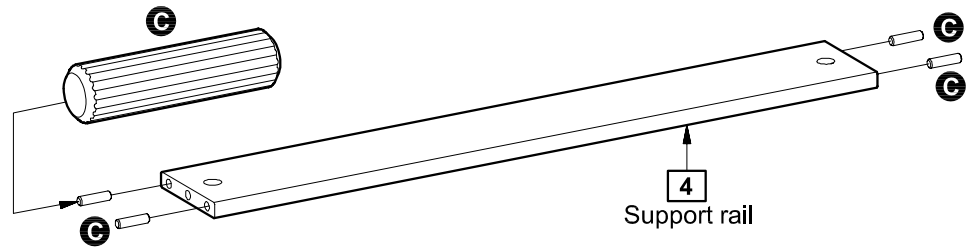


Assembly Instructions

Step 4

Adding the dowels to the support rail.

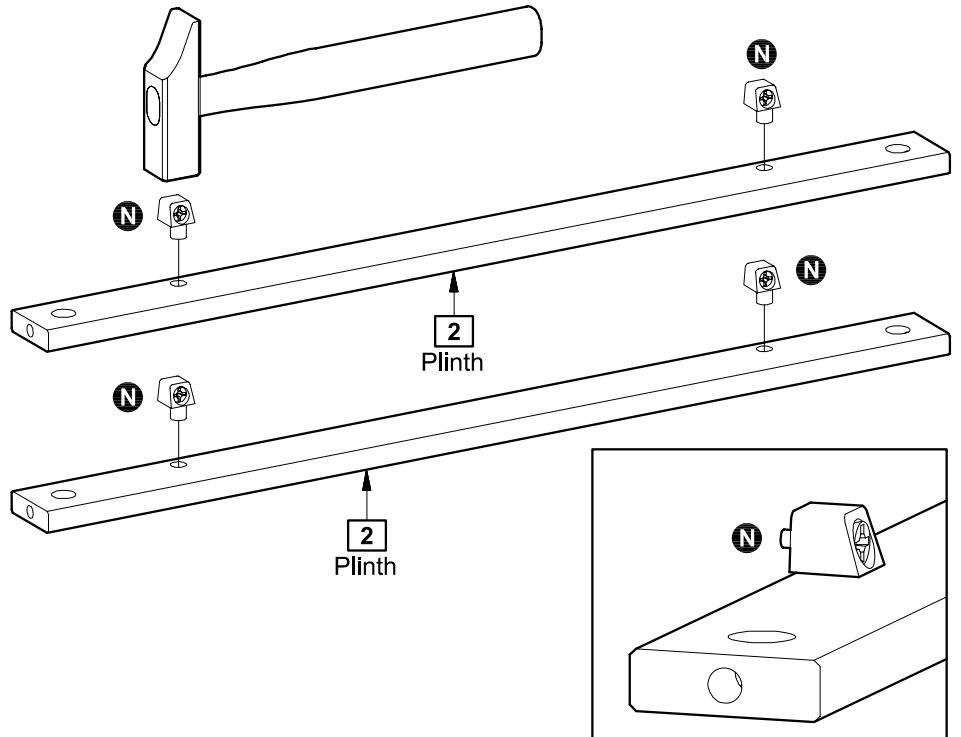
Insert the dowels **G** into the holes indicated on the support rail **4**.



Step 5

Adding the miniblocks to the plinths.

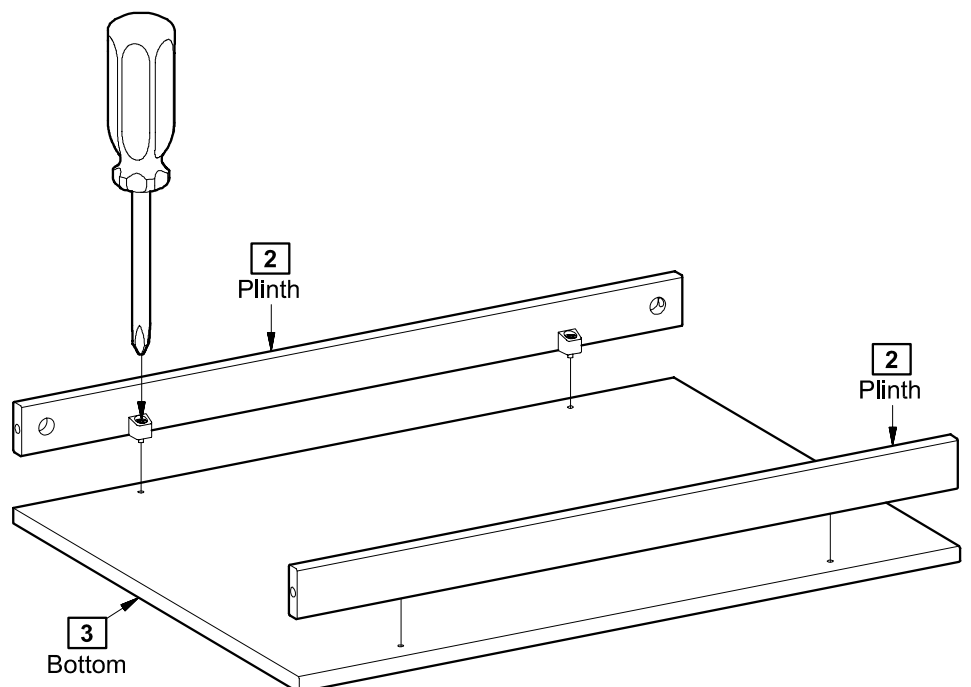
Knock the miniblocks **N** into the holes indicated on both the plinths **2**.



Step 6

Mounting the plinths to the bottom.

Fix the plinths **2** to the bottom **3** using the screws in the miniblocks **N**.



Assembly Instructions

Step 7

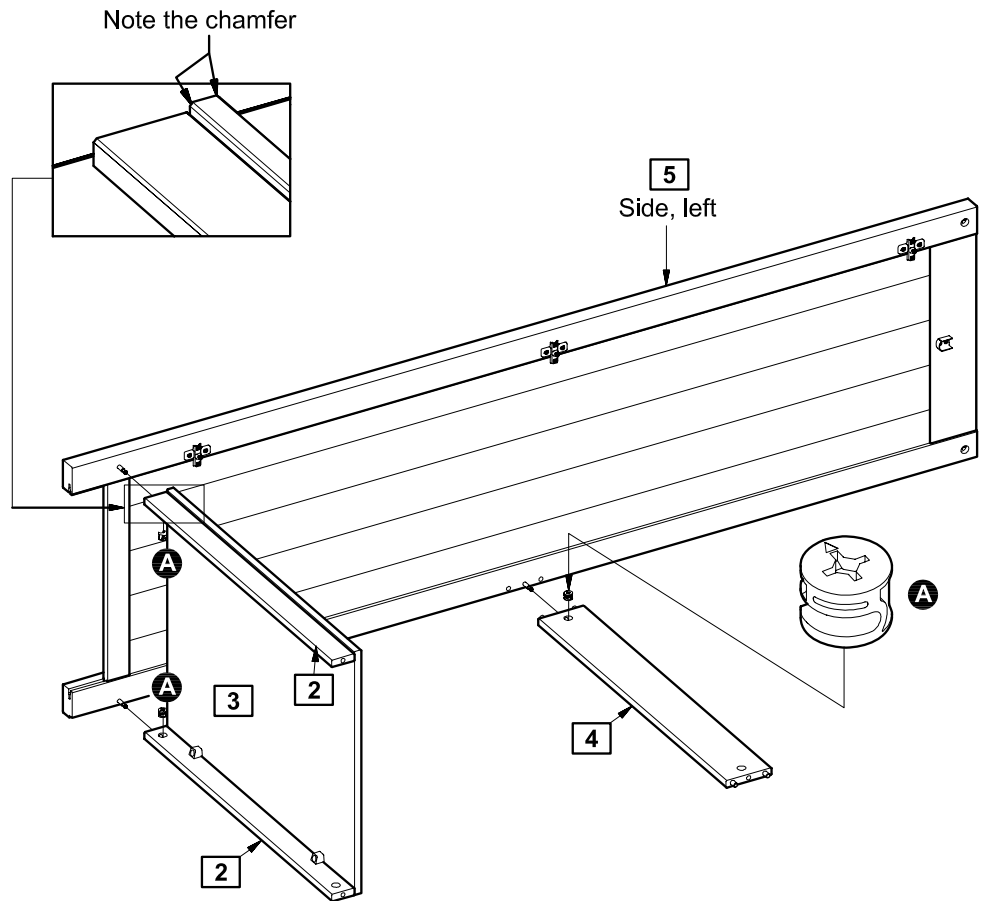
Adding the plinths and the support rail to the left side.

Fit the side **5** onto the plinths **2** and the support rail **4**.

See page 4 "Function of cam and locking pin".

Place the cams **A** into the holes indicated, arrows pointing towards the side / locking pins.

To tighten cams: Turn to the right using a screwdriver.



Step 8

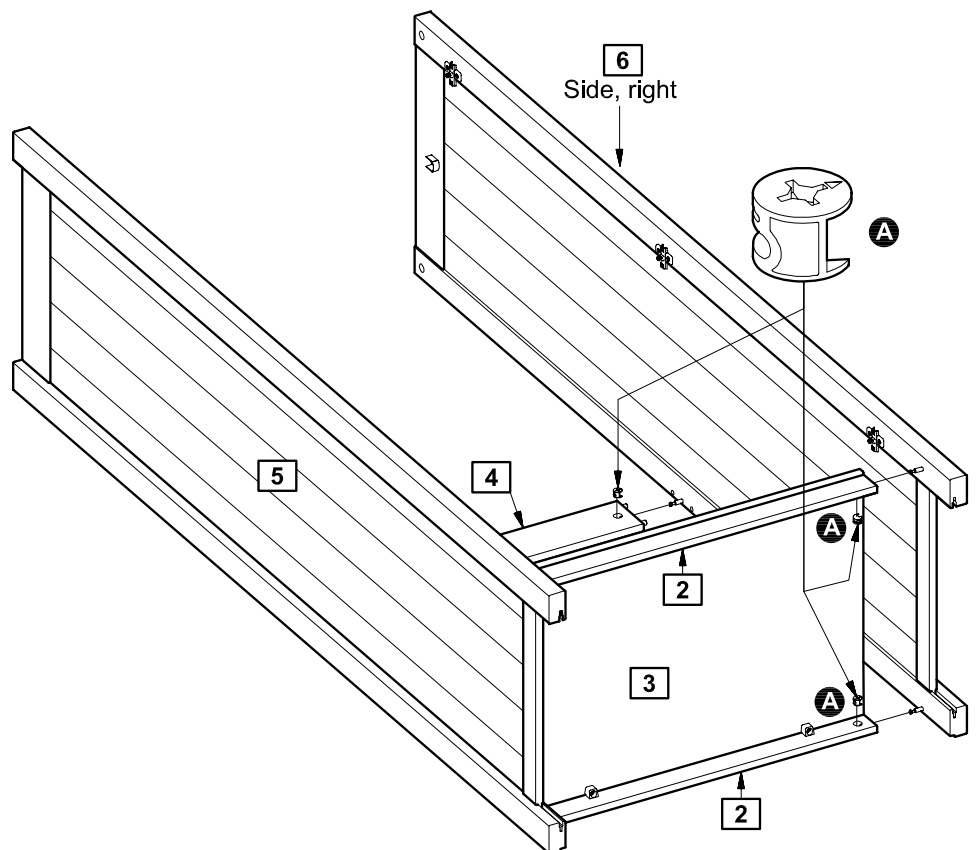
Adding the right side to the plinths and the support rail.

Fit the side **6** onto the plinths **2** and the support rail **4**.

See page 4 "Function of cam and locking pin".

Place the cams **A** into the holes indicated, arrows pointing towards the side / locking pins.

To tighten cams: Turn to the right using a screwdriver.



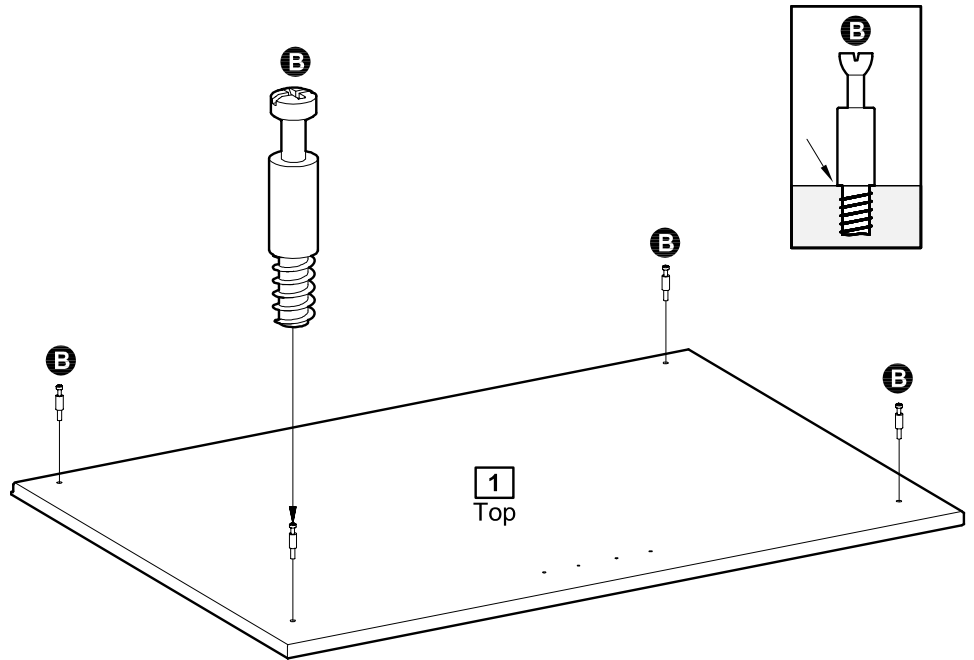
Assembly Instructions

Step 9

Mounting the locking pins to the top.

Screw the locking pins **B** into the holes indicated on the top **1**.

Note: Insert locking pins **B** as far as shown. **Do not over tighten.**

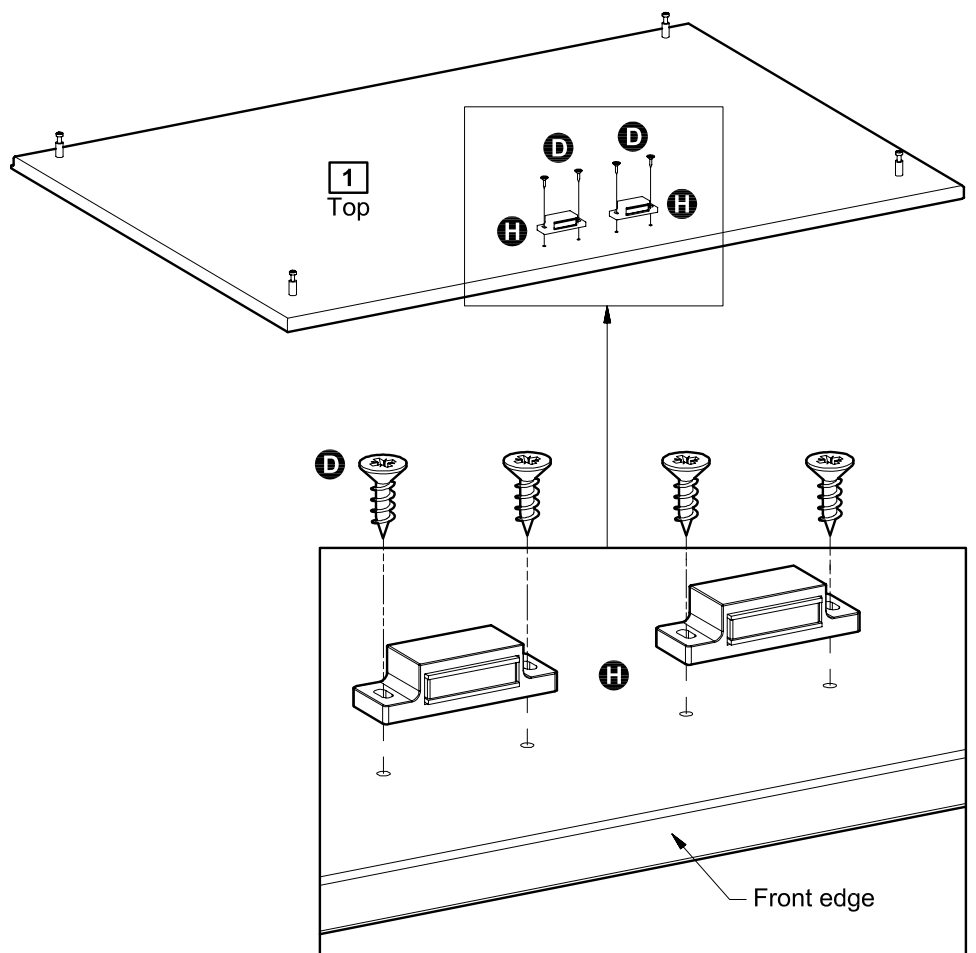


Step 10

Mounting the magnets to the top.

Fix the magnets **H** to the top **1** using screws **D** into the pre-drilled holes.

It is important that the magnetic part points towards the front edge of the top.



Assembly Instructions

Step 11

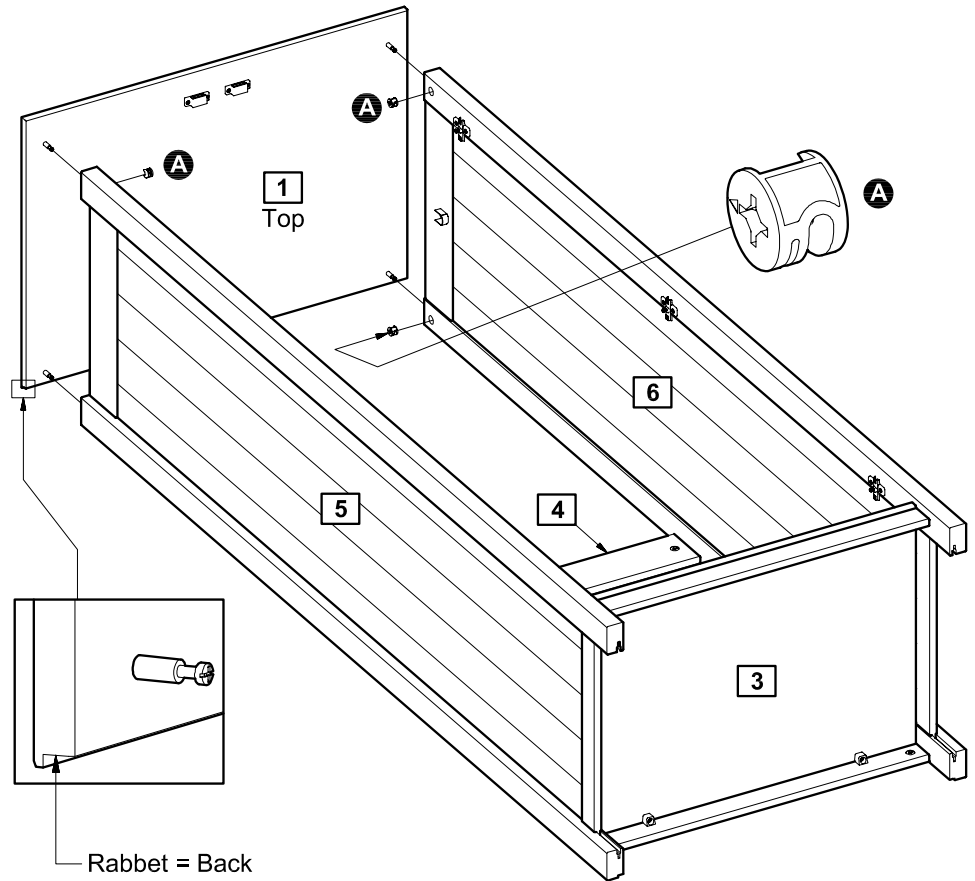
Assembling the top to the sides.

Attach the top **1** onto the sides **5** and **6**.

See page 4 "Function of cam and locking pin".

Place the cams **A** into the holes indicated, arrows pointing towards the top / locking pins.

To tighten cams: Turn to the right using a screwdriver.



Step 12

Adding the back to the carcass - 1.

Place the back **9** into the rabet of the top **1** and the side **6**.

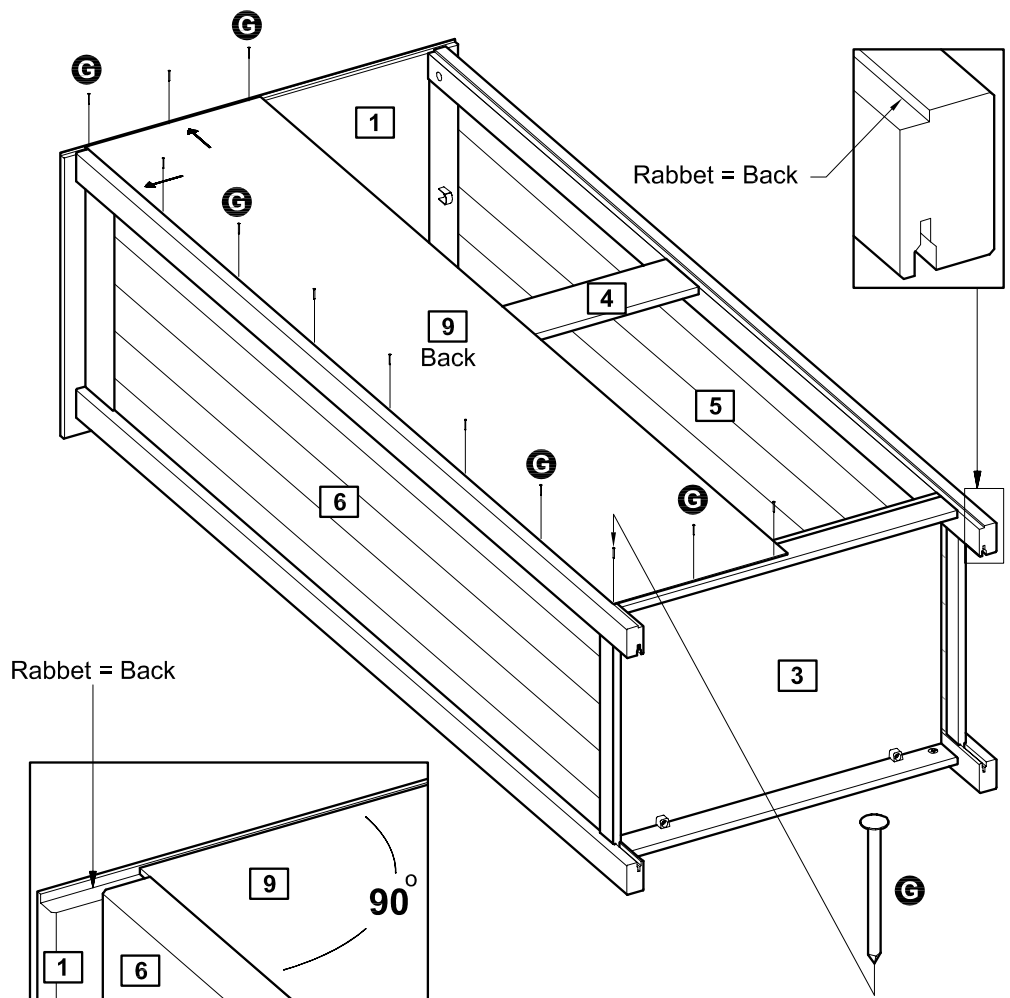
Ensure that there is no gap between the side back, nor between the top and the back.

Fasten the back with nails **G** along the top.

The angle between the top and the side must be 90 degrees.

To accomplish this, ensure that there is no gap between the side & the back.

Fasten the back with nails **G** along the sides.



Assembly Instructions

Step 13

Adding the back & the joining strip to the carcass.

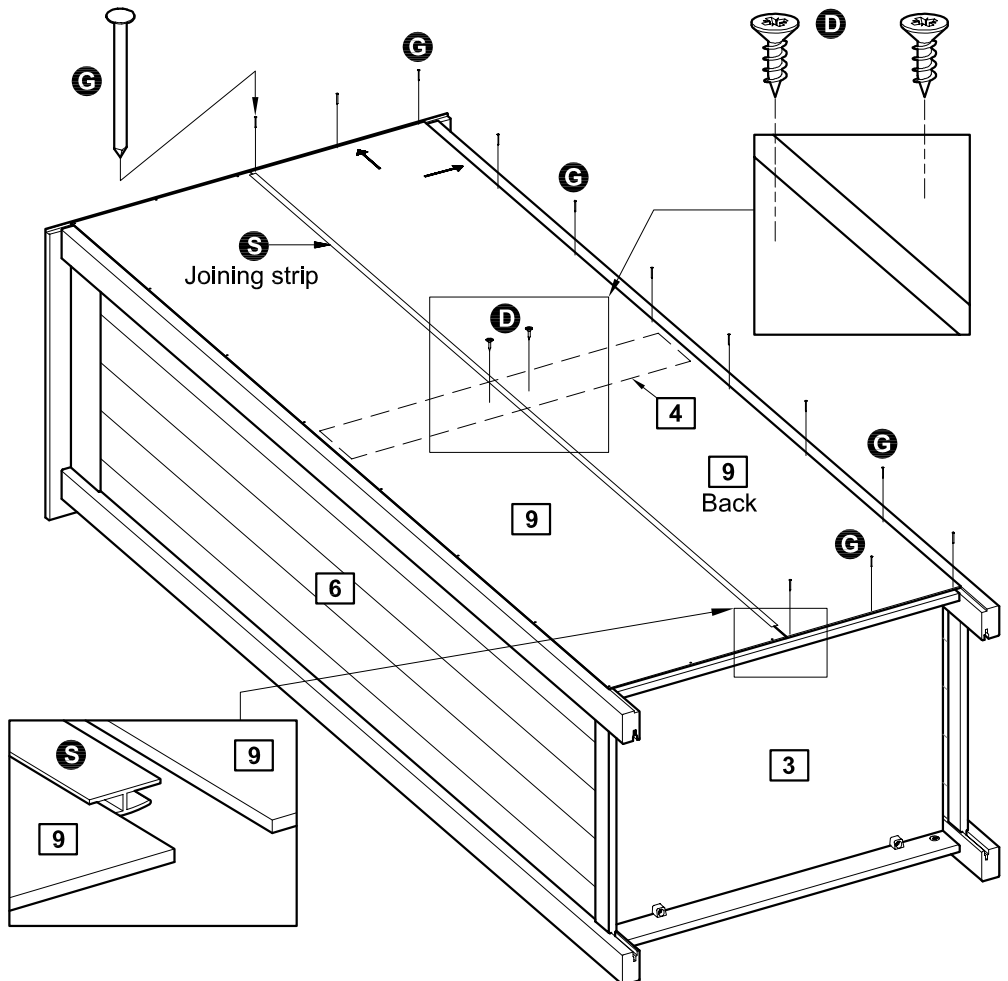
Place the joining strip **S** onto the back.

Place the back **9** into the rabbet of the top **1** and the side **5**.

Ensure that there is no gap between the side & back, nor between the top and the back.

Fasten the back with nails **G** along the side and bottom.

Fix the back onto the support rail **4** using screws **D**.

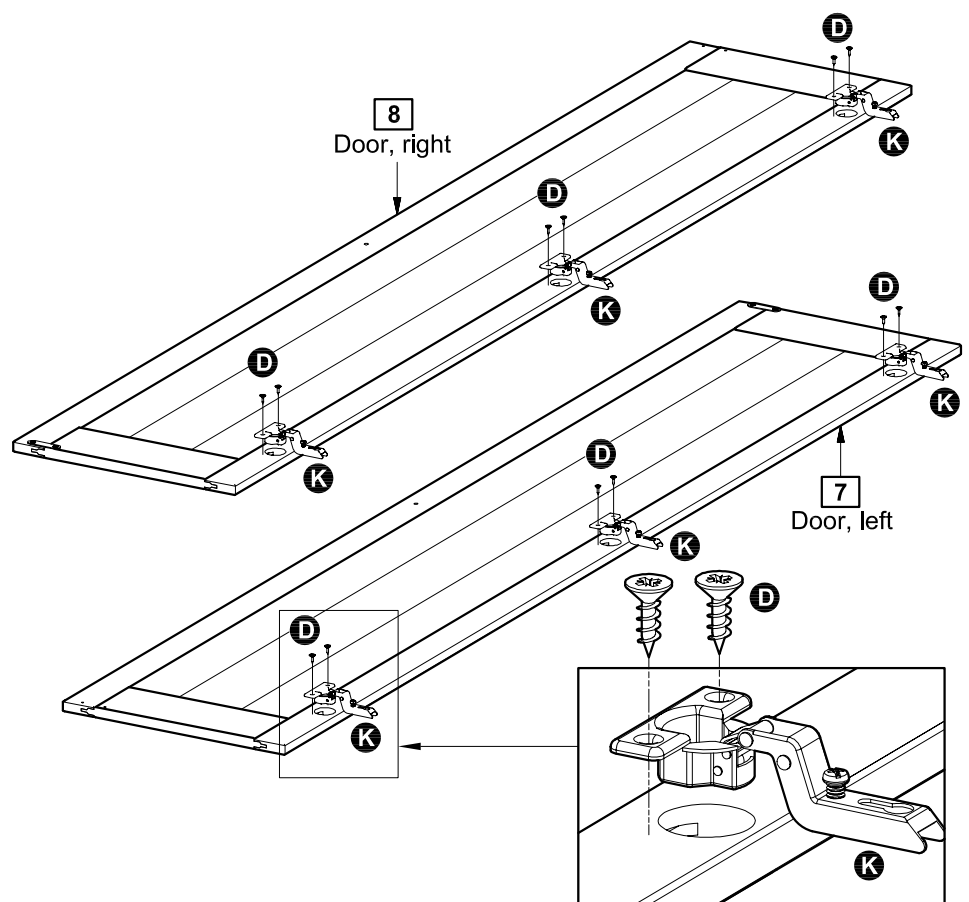


Step 14

Mounting the cup hinges to the doors.

Lower the cup hinges **K** into the holes indicated on the doors **7** and **8**.

Fix the hinges using screws **D**.

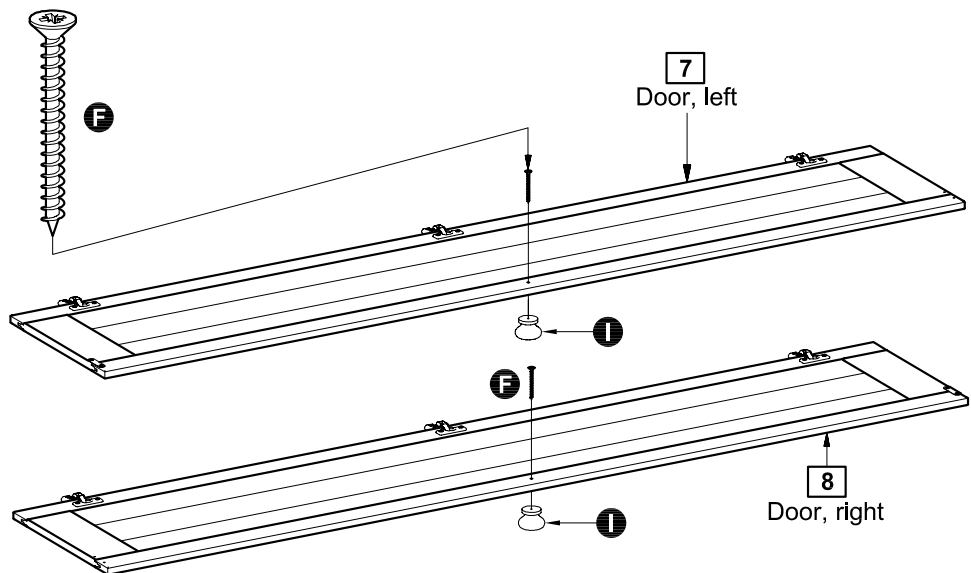


Assembly Instructions

Step 15

Mounting the knobs to the doors.

Fasten the knobs **I** to the doors **7** and **8**, using screws **F**.



Step 16

Mounting the doors to the carcass.

When placing the doors, the magnetic catch plates must be at the top of the doors.

a: Place the adjustment hole of the cup hinge at the level of the fixing screw. Push the cup hinge towards the cross plate - placing the fixing screw in the wider part of the adjustment hole.

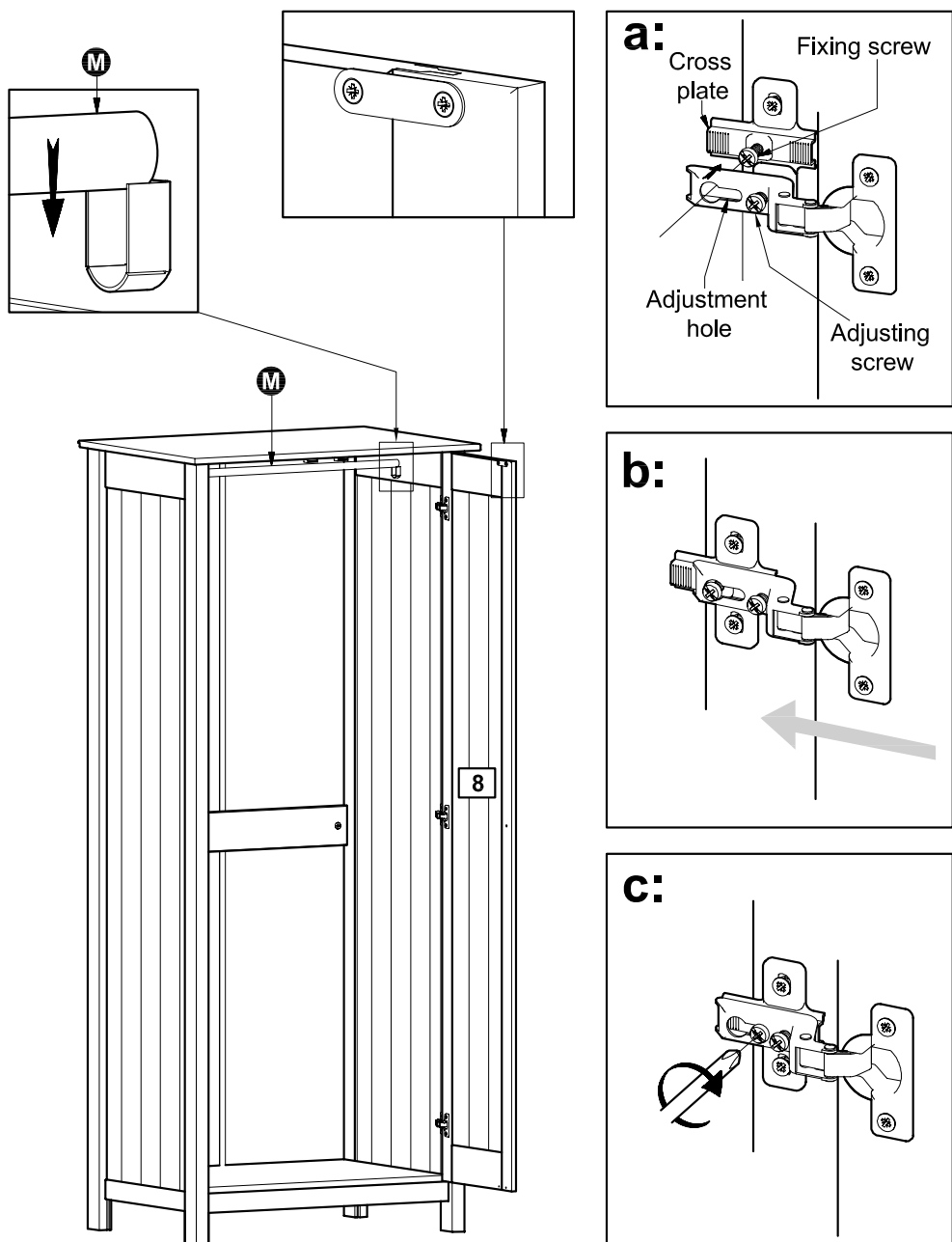


Important: Ensure you catch all three of the fixing screws.

b: Push the door / cup hinge inwards - placing the fixing screw in the narrow end of the adjustment hole.

c: Tighten the fixing screws of all three of the cross plates.

Lower the hanging rail **M** into the hanging rail cups **J**.

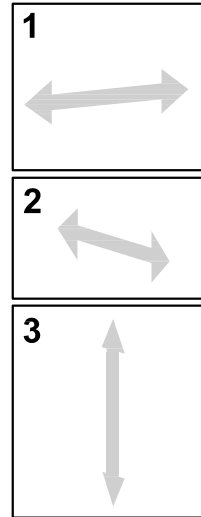
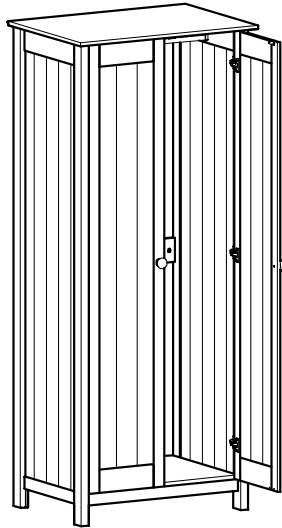


Assembly Instructions

Step 17

Adjusting the doors.

Make sure the wardrobe is placed on a level surface before you begin to adjust the hinges.



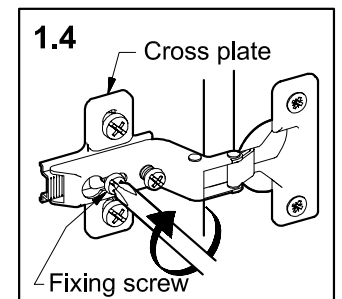
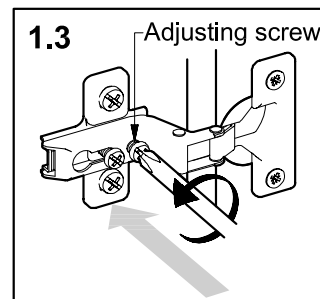
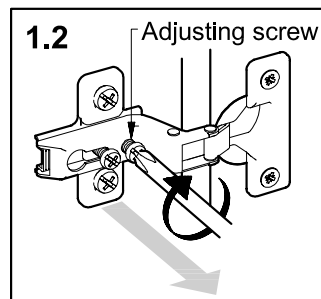
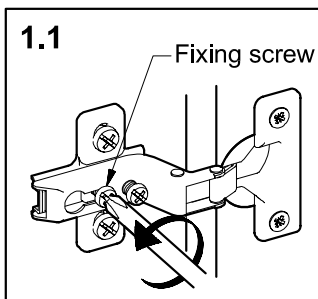
Right or left:

Loosen the fixing screw.

To adjust the door towards the lefthand side - turn the adjusting screw to the right.

To adjust the door towards the right hand side - turn the adjusting screw to the left.

Continue adjustment - see 2 - or tighten the fixing screw of the cross plates

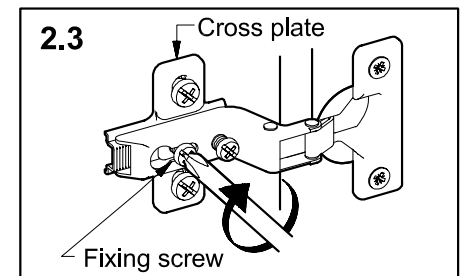
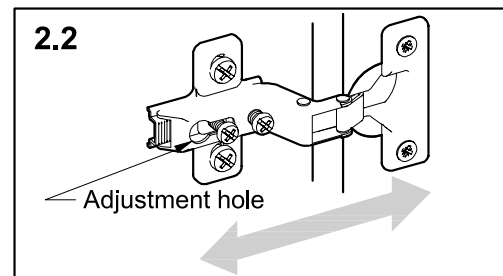
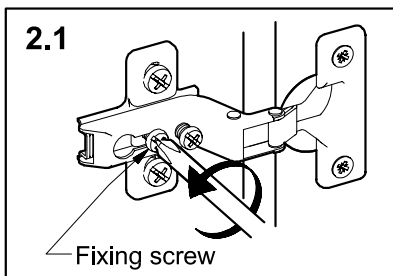


Forwards or backwards:

Loosen the fixing screw.

Push the cup hinges / the door back or forth to adjust. The door should level with the front edge of the sides.

Tighten the fixing screws of all the cross plates.

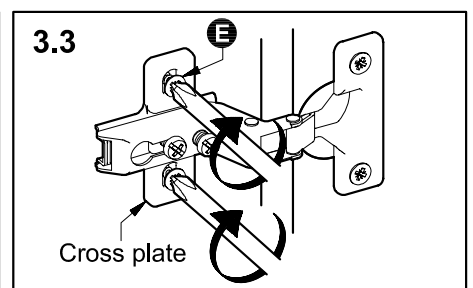
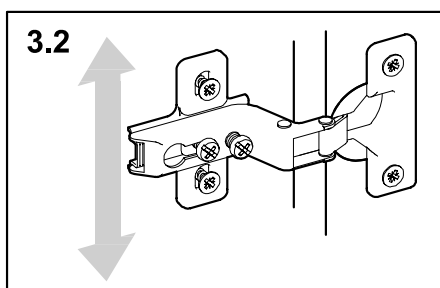
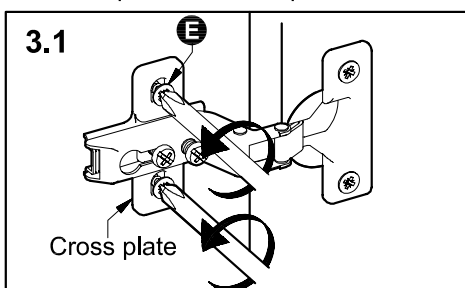


Up or down:

Loosen the two screws **E** of each cross plate, but only as much as it will allow the cross plate to move up and down.

Adjust the cross plate / door.

Tighten the screws **E** of all the cross plates.



Assembly Instructions

Step 18

Fixing to wall.

It is recommended that the wardrobe is fixed to a wall.

Fix wall straps **P** to top of wardrobe using screws **D**.

With help, move wardrobe into position.



Warning:
The wardrobe is heavy.
Lift with care.

Mark fixing holes on wall and remove wardrobe.

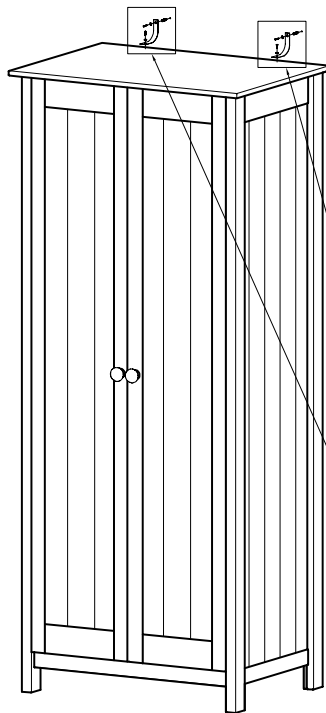
Drill 7mm holes and insert wall plugs **Q**.



Warning:
Before drilling, check wall for hidden pipes and cables.

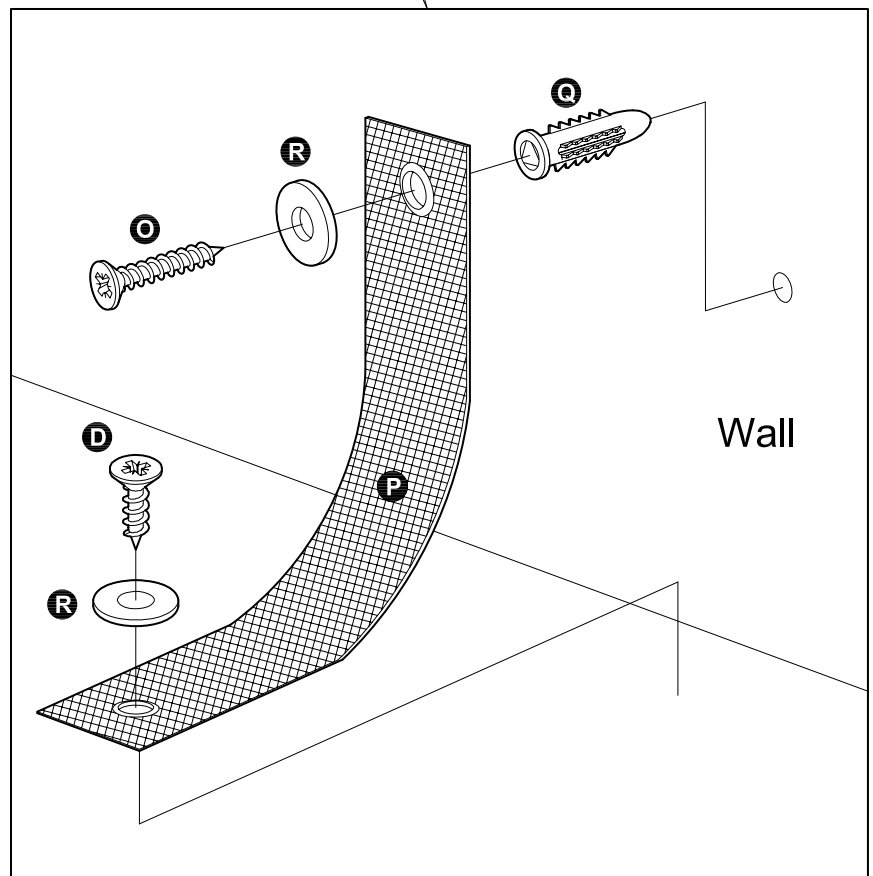
Reposition wardrobe and fix wall straps using screws **D**.

Assembly is complete.



Note: Wall plugs supplied are for solid walls only.

The correct type of fixing must be used for your wall, seek professional advice if in doubt.



If you need help or have damaged or missing parts, call the **Customer Helpline: 08456 400800**

A Guide to - Wall Mounting & Fixings

Important note:

If plastic wall plugs are supplied with your product:



- these are only suitable for use in masonry walls.

If you are in any doubt about the correct wall plugs for your wall, seek professional advice.

Failure of the product due to using incorrect fixings is the responsibility of the installer.



Important: When drilling into walls always check that there are no hidden wires or pipes etc.

Make sure that the screws and wall plugs being used are suitable for supporting your unit. Consult a qualified tradesperson if you are unsure.

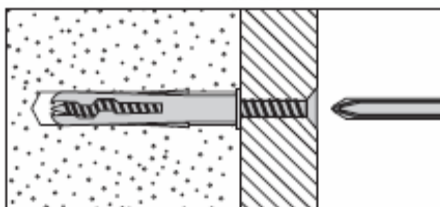
Hints:

- 1: **General rule:** ⚠ Always use a larger screw and wall plug if you are not sure.
- 2: Ensure you use the recommended drill bit to match the wall plug and hole size.
- 3: Ensure you drill the hole horizontally, do not force the drill or enlarge the hole.
- 4: Take extra care when drilling high walls, ceilings and ceramic tiles. Ensure wall plugs are inserted beyond the thickness of the ceramic tiles to avoid the tiles splitting or cracking.
- 5: Ensure wall plugs are well fitted and are a tight fit in the drilled hole.

Types of walls

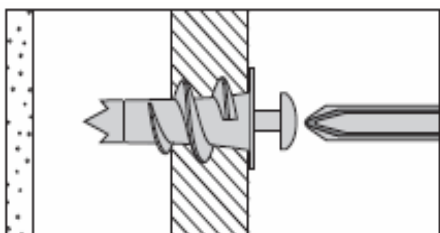
You can use one of the following types of wall plug if your walls are made of brick, breeze block, concrete, stone or wood.

No.1 "General Purpose" wall plug



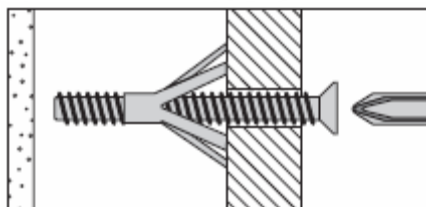
Generally aerated blocks should not be used to support heavy loads, use a specialist fitting in this case. For light loads, general purpose wall plugs can be used.

No.2 "Plasterboard" wall plug



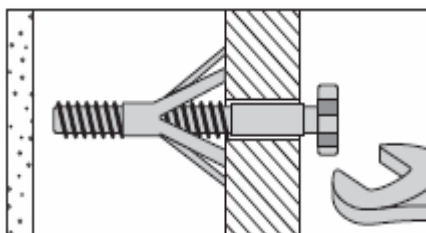
For use when attaching light loads on to plasterboard partitions.

No.3 "Cavity Fixing" wall plug



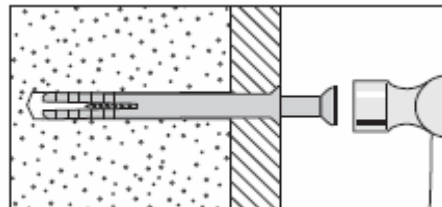
For use with plasterboard partitions or hollow wooden doors.

No.4 "Cavity Fixing-Heavy Duty" wall plug



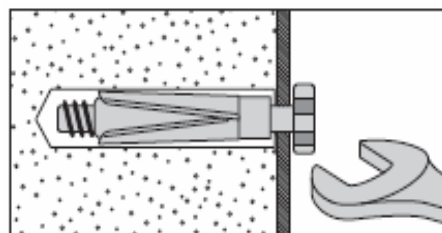
For use when fitting or supporting heavy loads such as shelving, wall cabinets and coat racks.

No.5 "Hammer Fixing" wall plug



For use with walls stuck with plasterboard. The hammer fixing allows it to be fixed to the wall rather than the plasterboard. Always check the fixing is secure to the retaining wall.

No.6 "Shield Anchor" wall plug Heavy loads



For use with heavier loads such as TV & HiFi speakers and satellite dishes etc.



Care & Maintenance

Safety: Always check the fitting and location to ensure your safety in and around the home.

Fitting: From time to time check the fitting to ensure the wall plugs or screws do not become loose.

Dear Customer

Please note that the product you have purchased is a natural living timber.

Just like nature itself, wood varies in shape and colour. Knots, vein patterns, resin pockets and colour differences contribute to giving the piece of furniture its beauty and form - a natural part of solid wood.

Although the tree has been cut down and dried, it is still alive and therefore will react to high and low temperatures, light, humidity, drought and time.

In cold and dry periods, the wood contracts which may lead to small cracks in the piece of furniture. The reverse happens in warm and humid periods where the wood expands and this may result in slight unevenness.

The colour of the wood also changes with time, particularly if the furniture is placed in a light place. This is a natural process and part of owning a piece of furniture made of solid wood.

Any flexing that has occurred during transport will re-correct it self once this product is correctly assembled.

Tighten all joints of the furniture after six months.

Please keep these instructions in a safe place for future use.