

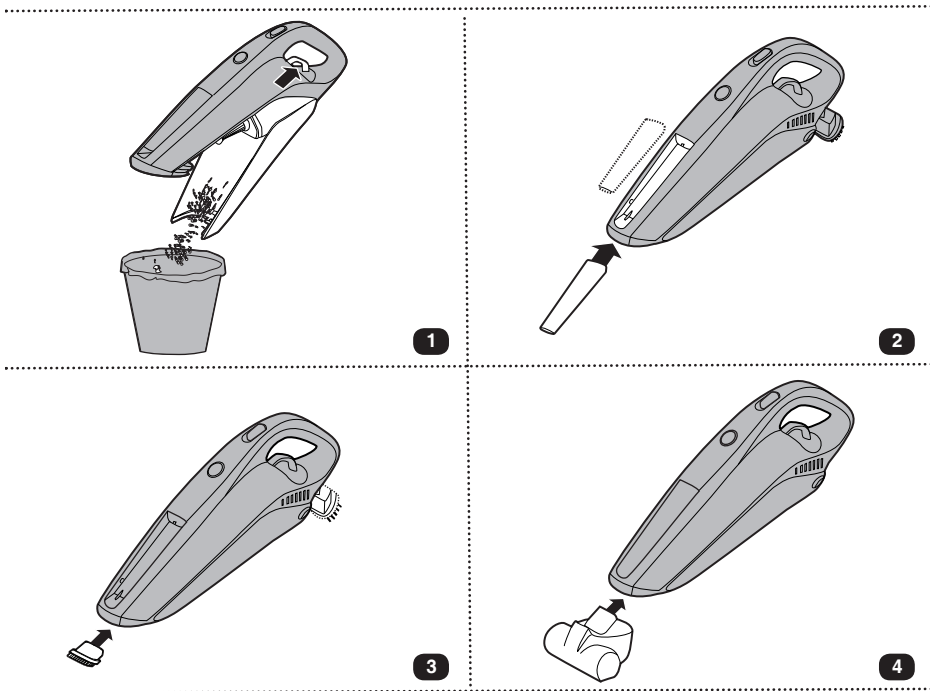
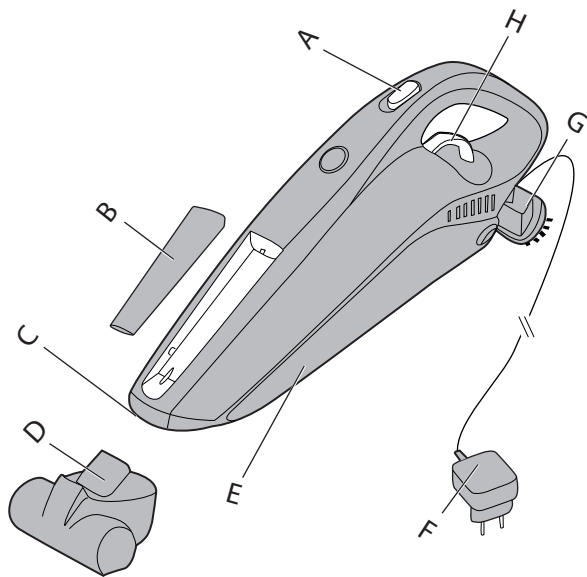
HOOVER

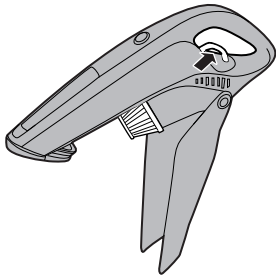
INSTRUCTION MANUAL



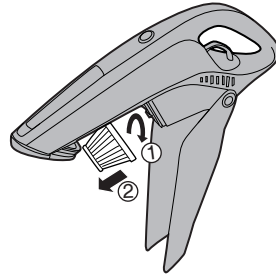
BORN INNOVATIVE







5



6





INSTRUCTIONS FOR SAFE USE

This appliance should only be used for domestic cleaning, as described in this user guide. Please ensure that this guide is fully understood before operating the appliance.

Do not leave the appliance plugged in. Always switch off and remove the plug from the socket after use, or before cleaning the appliance or any maintenance task.

This appliance can be used by children aged from 8 years and above and persons with reduced physical, sensory or mental capabilities or lack of experience and knowledge if they have been given supervision or instruction concerning use of the appliance in a safe way and understand the hazards involved. Children shall not play with the appliance. Cleaning and user maintenance shall not be made by children without supervision.

If the power cord is damaged stop using the appliance immediately. To avoid a safety hazard, an authorised HOOVER service engineer must replace the power cord.

Keep hands, feet, loose clothing and hair away from rotating brushes. Use only attachments, consumables or spares recommended or supplied by HOOVER.

Static electricity: some carpets can cause a small build up of static electricity. Any static discharge is not hazardous to health.

Do not use your appliance out of doors or on any wet surface or for wet pick up.

Do not pick up hard or sharp objects, matches, hot ashes, cigarette ends or other similar items.

Do not spray with or pick up flammable liquids, cleaning fluids, aerosols or their vapours.

Do not run over the power cord when using your appliance or remove the plug by pulling on the power cord.

Do not continue to use your appliance if it appears faulty.

HOOVER service: To ensure the continued safe and efficient operation of this appliance we recommend that any servicing or repairs are only carried out by an authorised HOOVER service engineer.

Do not stand on or wrap the cord around arms or legs when using your appliance.

Do not use the appliance to clean animals or people.

Do not position the appliance above you when cleaning the stairs.

FEATURES

- A. On/Off Switch
- B. Removable Crevice Tool
- C. Suction Inlet
- D. Power Nozzle
- E. Dust Bin Flap
- F. Power Plug
- G. Dust Brush
- H. Dust Bin Open Trigger

HOW TO USE

1. Insert Power Plug into mains power supply socket.
2. Push the switch to 'ON' position to begin cleaning and to turn off move the switch to the 'OFF' position.
3. Empty and clean the unit and filter after each use.
4. To empty the bin pull the bin open trigger, the dust bin flap will open and stop about 45 °position for debris to empty easily. [1]

IMPORTANT: For best results clean the filter after each use.

ATTACHMENTS

Removable Crevice Tool

Fit the crevice tool onto the dust cup to clean corners and hard to reach areas. [2]

Dust Brush

Fit the Dust Brush onto the dust cup to clean keyboards and other delicate areas. [3]

Power Nozzle*

To use fit onto the container. It's ideal for deep cleaning textile surfaces (i.e. sofas) and pet hair removal. Move it steadily backwards and forwards. Do not keep the power nozzle stationary while the brush is rotating. [4] To clean – Detach nozzle from the container and then remove hair/threads collected on the brush with scissors if necessary.

FILTER MAINTENANCE

1. Pull the trigger and the dust bin flap will open automatically. [5]
2. Rotate and remove the filter. [6]
3. The container may be cleaned using a wet cloth.
4. The filter should be washed in hand warm water DO NOT USE DETERGENTS. Make sure all are completely dry before replacing in your cleaner.
5. Replace the filter into the dust container and close the dust container flap.

NOTE: You should experience any difficulties in dismantling the unit or for more detailed information about treatment, recovery and recycling of this product, please contact your local city office, your household waste disposal service.

IMPORTANT INFORMATION

Hoover spares and Consumables

Always replace parts with genuine Hoover spares. These are available from your local Hoover dealer or direct from Hoover. When ordering parts always quote your model number.

Cloth Filter	S103	35601645
Microfiber Filter	S105	35601646

*certain models only ** May vary according to model



GB

The Environment:

The symbol on the product indicates that this product may not be treated as household waste. Instead it shall be handed over to the appliance collection point for recycling of electrical and electronic equipment. Disposal must be carried out in accordance with the local environmental regulations for waste disposal. For more detailed information about treatment, recovery and recycling of this product, please contact your local city office, your household waste disposal service or the shop where you purchased the product.



This product complies with the European Directives 2014/35/EU, 2014/30/EU and 2011/65/EU.

CANDY HOOVER GROUP Srl Via Privata Eden Fumagalli, 20861 Brugherio (MB) Italy

YOUR GUARANTEE

The guarantee conditions for this appliance are as defined by our representative in the country in which it is sold. Details regarding these conditions can be obtained from the dealer from whom the appliance was purchased. The bill of sale or receipt must be produced when making any claim under the terms of this guarantee.

Subject to change without notice.



®

BORN INNOVATIVE



PRINTED IN P.R.C
48020876

