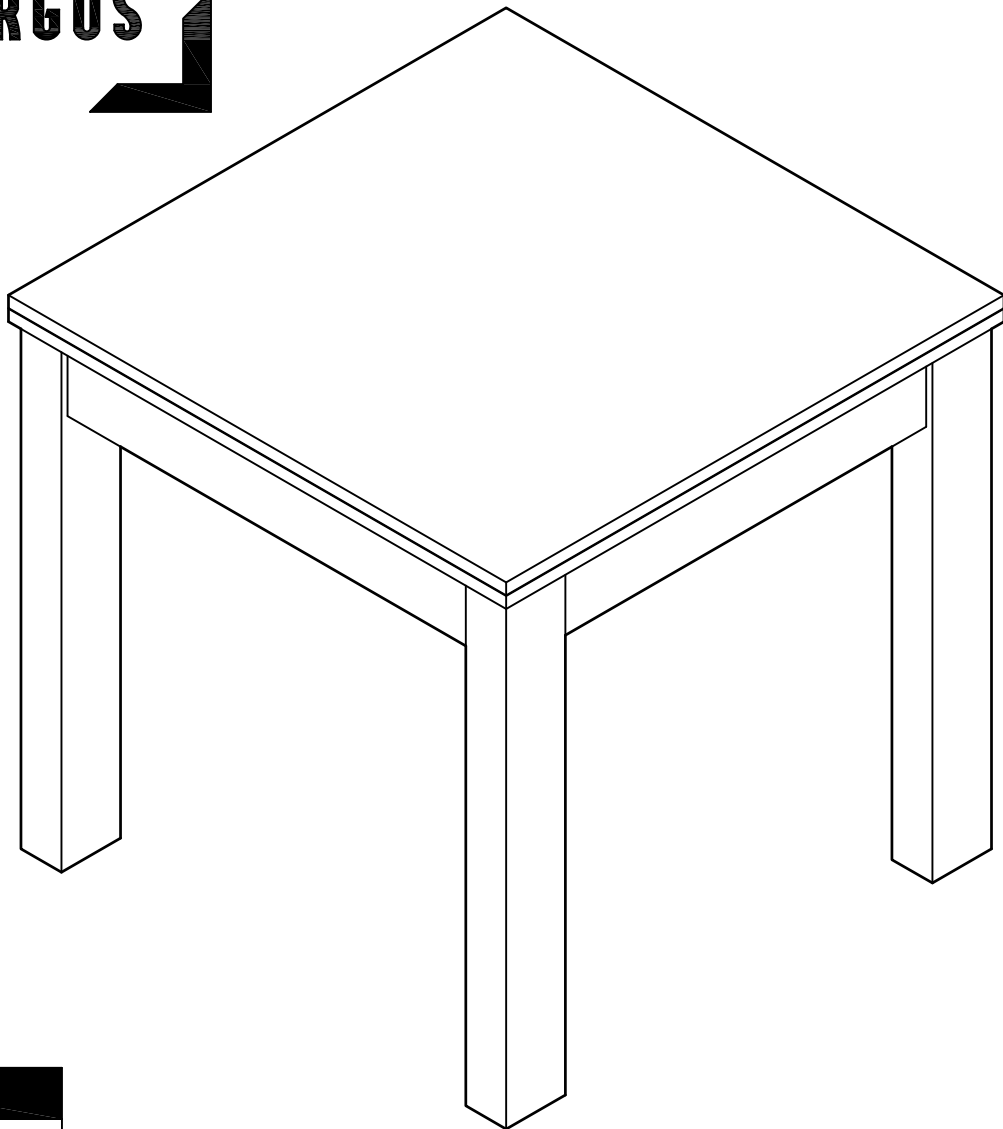


# Aberford Dining Table

Assembly Instructions - Please keep for future reference

612/6775

THE  
**COLLECTION**  
BY ARGOS



## Dimensions

Width - 80~160cm

Depth - 80cm

Height - 78cm

**Important - Please read these instructions fully before starting assembly**

If you need help or have damaged or missing parts, call the **Customer Helpline: 03456 400800**



# Safety and Care Advice

## Important - Please read these instructions fully before starting assembly

- Check you have all the components and tools listed on the following pages.
- Remove all fittings from the plastic bags and separate them into their groups.
- Keep children and animals away from the work area, small parts could choke if swallowed.
- Make sure you have enough space to layout the parts before starting.
- During assembly do not stand or put weight on the product, this could cause damage.
- Assemble the item as close to its final position (in the same room) as possible.
- Assemble on a soft level surface to avoid damaging the unit or your floor.
- Parts of the assembly will be easier with 2 people.



power drill is set on a low torque setting.

- To reduce the likelihood of damaging your product please ensure that your

## Care and maintenance

- Only clean using a damp cloth and mild detergent, do not use bleach or abrasive cleaners.
- From time to time check that there are no loose screws on this unit.
- This product should not be discarded with household waste. Take to your local authority waste disposal centre.

## Handy Hints

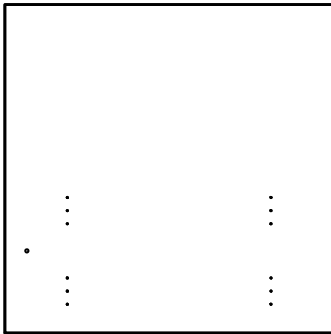
- Assemble all parts and bolts loosely during assembly, only once the product is complete should you fully tighten the bolts.
- Regularly check and ensure that all bolts and fittings are tightend properly.

**Note:** If required the next page can be cut out and used as reference throughout the assembly. Keep this page with these instructions for future reference.

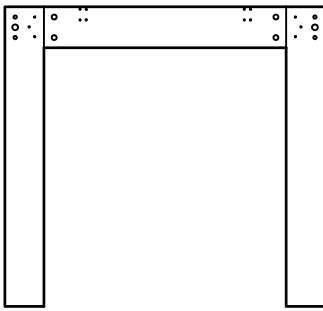
# Components - Panels

If you have damaged or missing components, call the **Customer Helpline: 03456 40800**

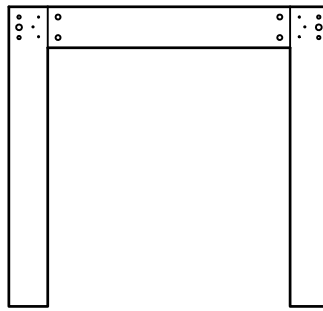
Please check you have all the panels listed below



**1** Top panel (80 x 80cm)



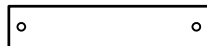
**2** Left side panel  
(78 x 73cm)



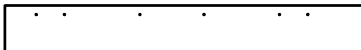
**3** Right side panel  
(78 x 73cm)



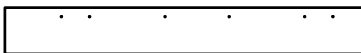
**4** Side panel x 2  
(65 x 10cm)



**7** Cross bar x 2  
(39x 8cm)



**5** Left hand panel  
(70 x 9cm)



**6** Right hand panel  
(70 x 9cm)

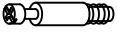








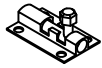
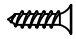




# Components - Fittings

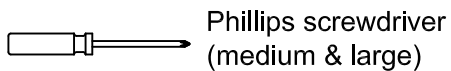
If you have damaged or missing components, call the **Customer Helpline: 03456 400800**

Please check you have all the fittings listed below

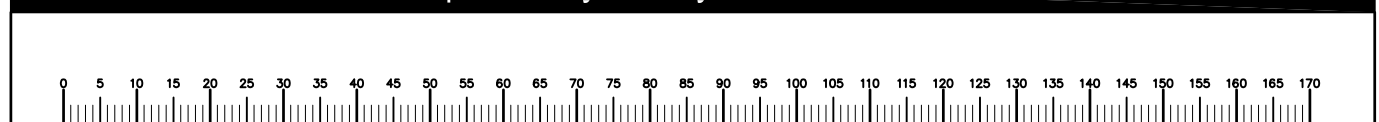
**Note:** The quantities below are the correct amount to complete the assembly. In some cases more fittings may be supplied than are required.

<b>A</b>  Locking pin x 4	<b>B</b>  12mm Locking nut x 4	<b>C</b>  Runners x 1 set
<b>D</b>  16mm Screw x 48	<b>E</b>  Cambolts x 8	<b>F</b>  Half moon nuts x 8
<b>G</b>  Nuts x 8	<b>H</b>  Spanner x 1	<b>I</b>  Dowel x 24
<b>J</b>  Lock x 2	<b>K</b>  12mm Screw x 8	<b>L</b>  Angled bracket x 4
<b>M</b>  Transparent pads x 2		

## Tools required



## Ruler - Use this ruler to help correctly identify the screws



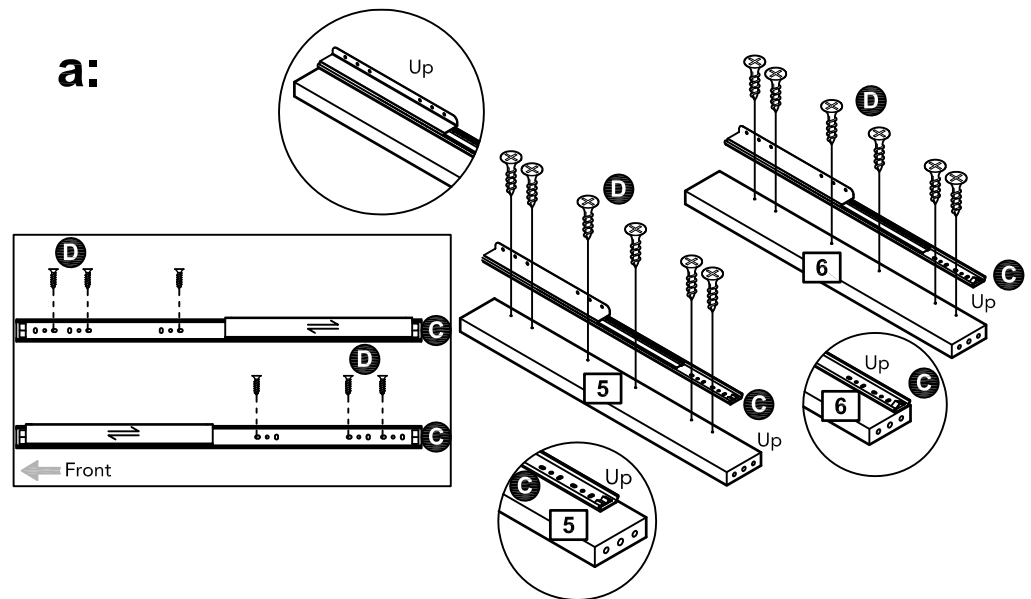
The screws length is measured from the head to the point (30mm screw shown).

# Assembly Instructions

## Step 1

### Fitting Runners

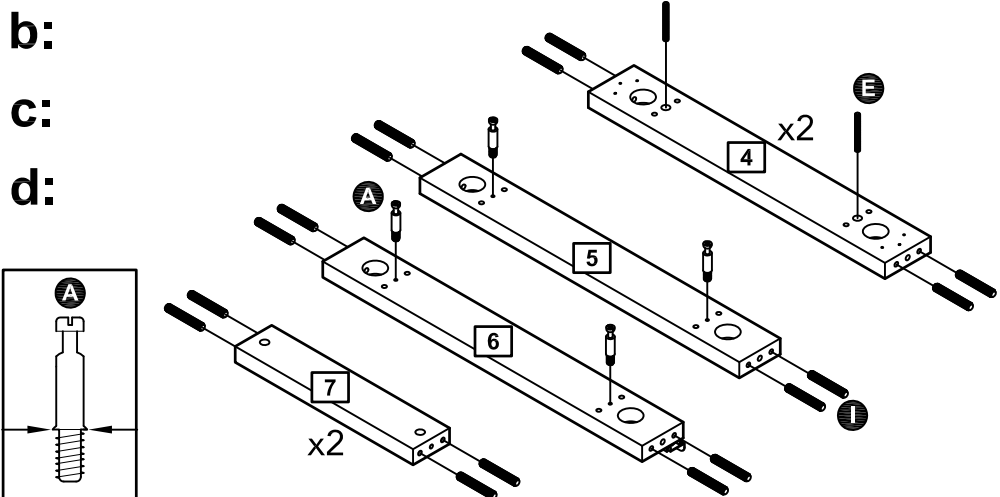
**a:** Use screws **D** to fix Runners **C** onto panels **5** and **6**.



**b:** Insert dowels **I** into panels **4** x2, **5**, **6** and **7** x2.

**c:** Screw locking pins **A** into panels **5** and **6**.

**d:** Screw cambolts **E** into panels **4** x2.

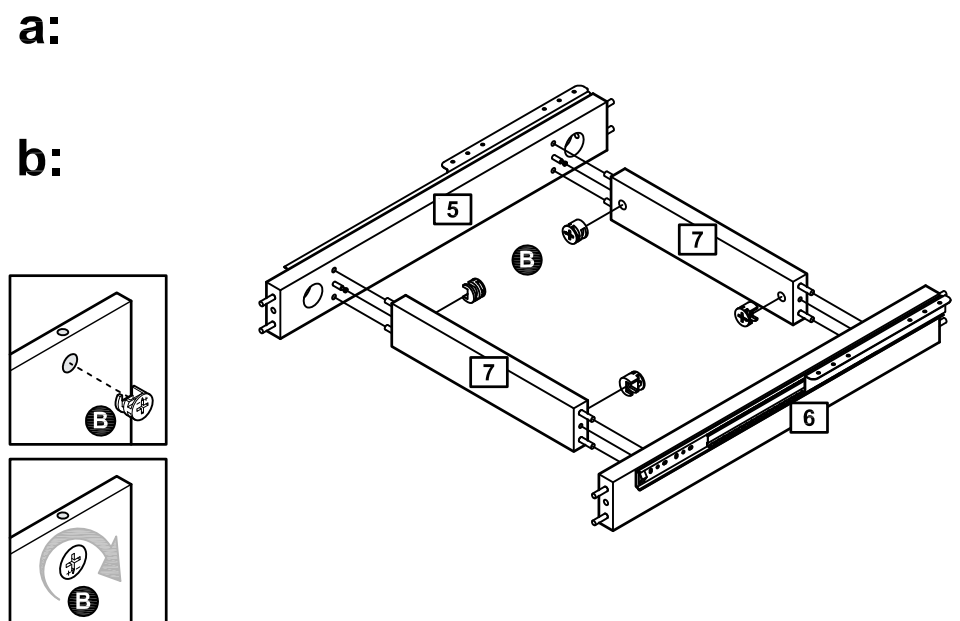


## Step 2

### Fitting middle part

**a:** Attach panels **5**, **6** and **7** x2 together.

**b:** Insert locking nuts **B** into the corresponding holes, and use a screw driver to tighten.



# Assembly Instructions

## Step 2 - continued

**c:** Attach panels **4** x2 onto the assembled unit. Please ensure that the top of panels **5** and **6** where the bracket is fixed sits flush with panel **4** x2.

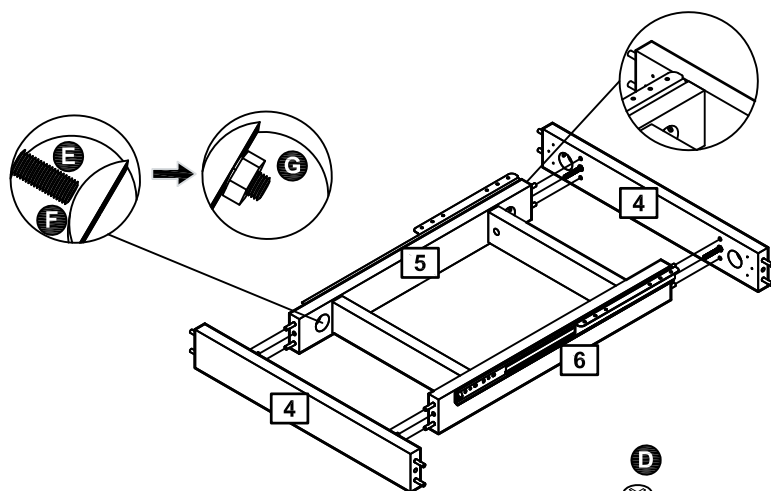
**d:** Use half moon nuts **F** and nuts **G** to fix cambolts **E** onto panels **5** and **6**.

**e:** Tighten using the spanner **H**.

**c:**

**d:**

**e:**



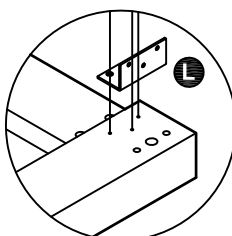
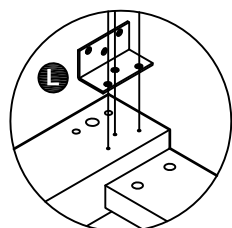
## Step 3

### Fitting Side panel

**a:** Screw cambolts **E** into panels **2** and **3**.

**b:** Use screws **K** to fix lock **J** onto panel **2**.

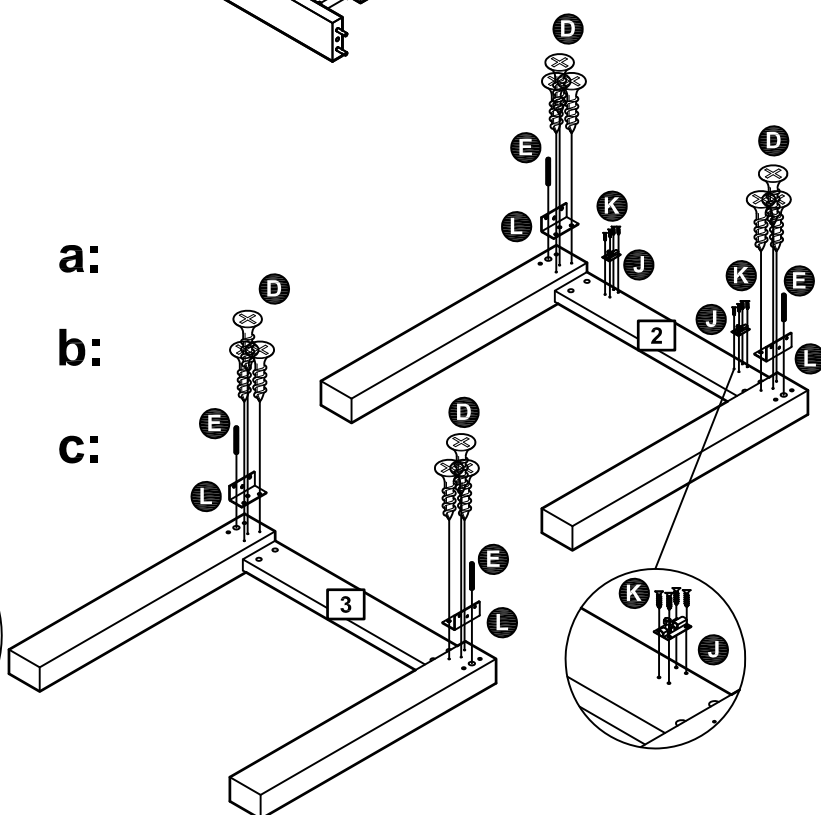
**c:** Use screws **D** to fix angled bracket **L** onto panels **2** and **3**.



**a:**

**b:**

**c:**



## Step 4

### Fitting Main Unit

**a:** Attach panels **2** and **3** onto the assembled unit.

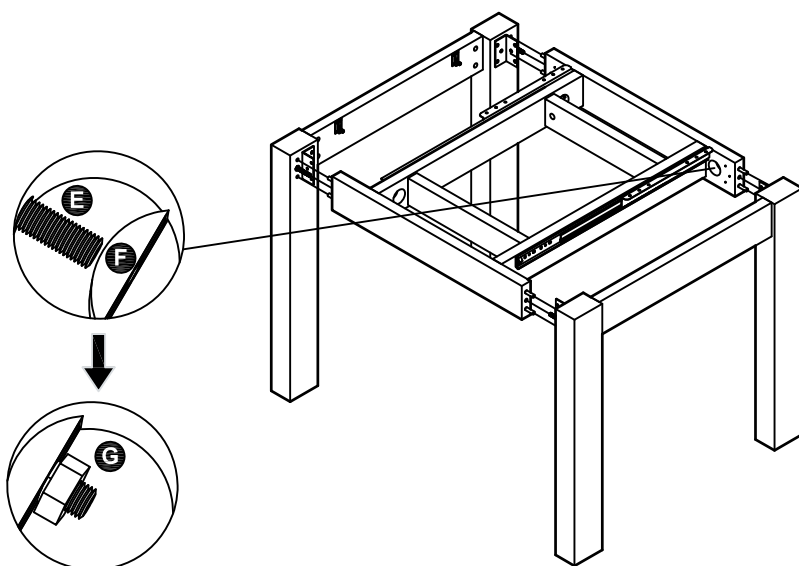
**b:** Use half moon nuts **F** and nuts **G** to fix cambolts **E** onto panels **4** x2.

**c:** Tighten using the spanner **H**.

**a:**

**b:**

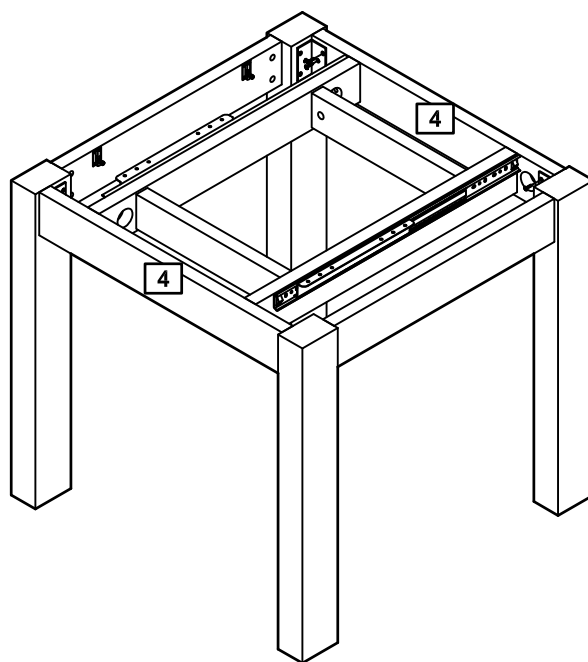
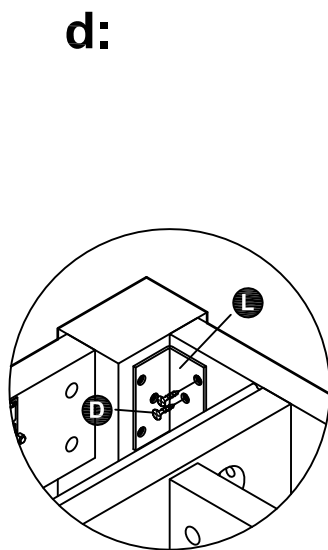
**c:**



# Assembly Instructions

## Step 4 - continued

**d:** Use screws **D** to fix angled bracket **L** onto panel **4** x2.



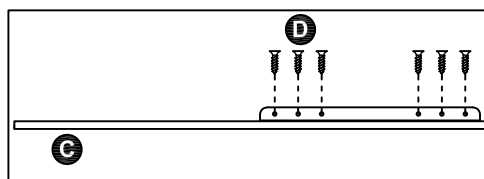
## Step 5

### Fitting top panel

**a:** Attach panel **1** onto the assembled unit.

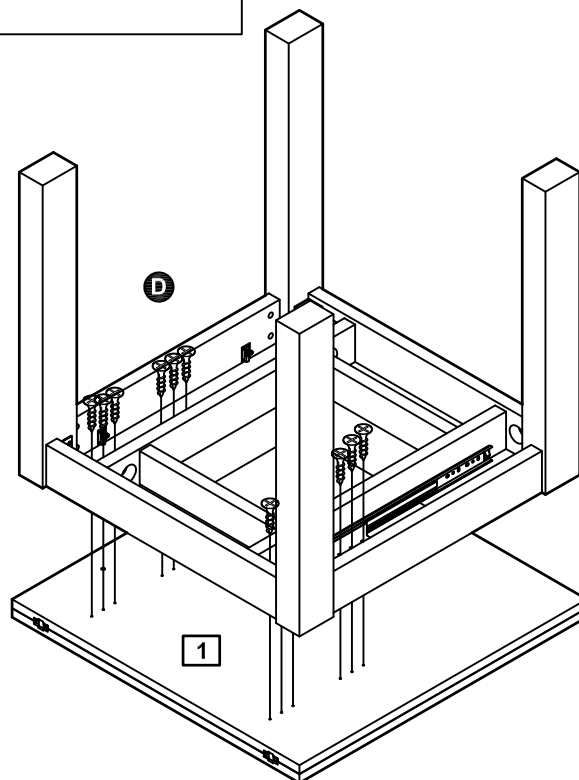
**b:** Use screws **D** to fix Runners **C** onto panel **1**.

**c:** Once assembled, carefully lift and turn the table over. A minimum of two people are required to do this. When lifting, ensure that both locking locks are in place to prevent the top from sliding as it is turned. Ensure you are holding the table top securely closed and turn the table into an upright position, do not pivot the table on its legs as this could cause damage to the joints.



**a:**

**b:**

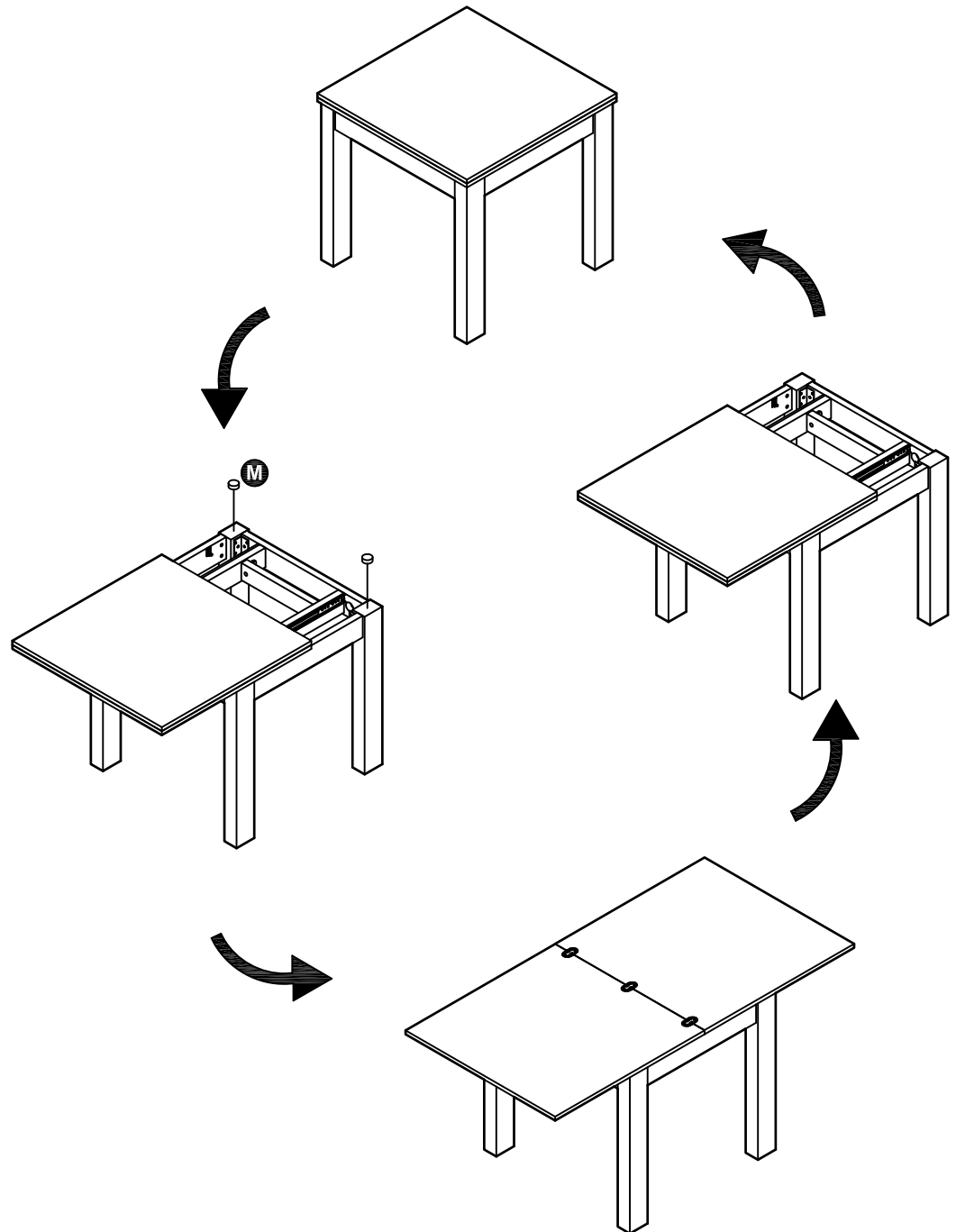


# Assembly Instructions

## Step 5

**a:** Release the locks from underside of table and gently slide the table top over to expose tops of the legs, ensure that you support the overhanging table top whilst doing this. Apply pads **M** onto the top of the legs and gently close the table top, securing it with the locks.

**b:** When the table top is closed, please use the lock **L** to secure the table top by locking into the recess on the underside of the table. To open the table ensure the lock is unlocked and gently slide the table top fully to the side whilst supporting the end of the table top as you do this. (Please do not slide the table top when it is open). Carefully open the table top and secure by locating the lock into the available recess on the underside of the table.



**Assembly is complete.**

If you need help or have damaged or missing parts, call the **Customer Helpline: 03456 400800**