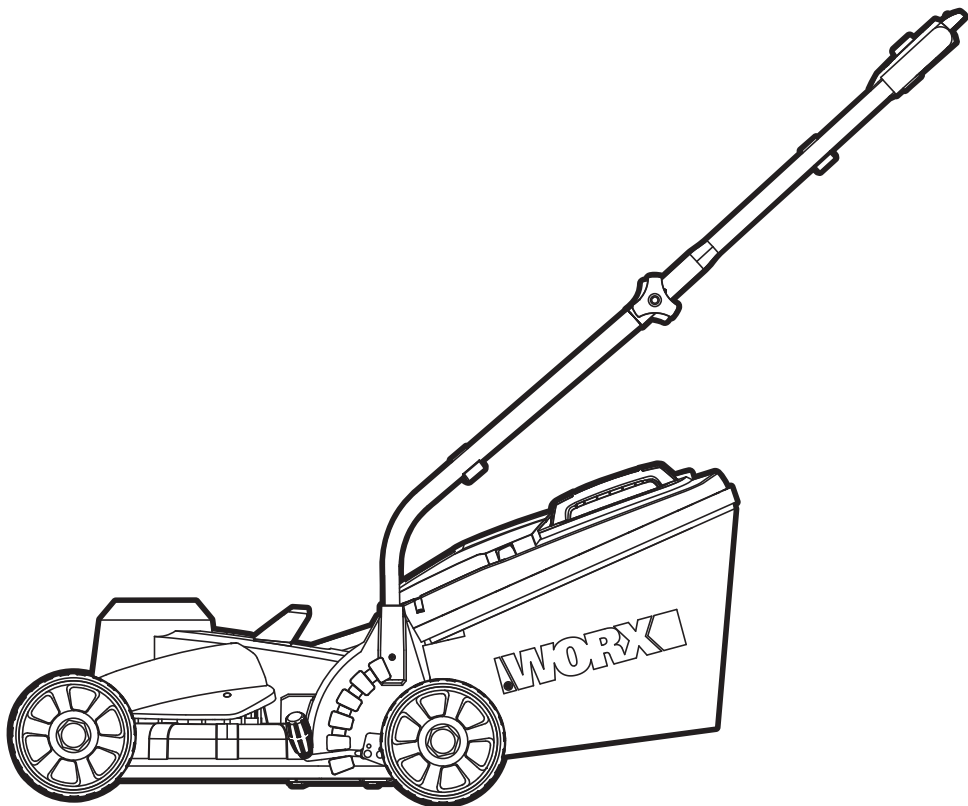


# **WORX**

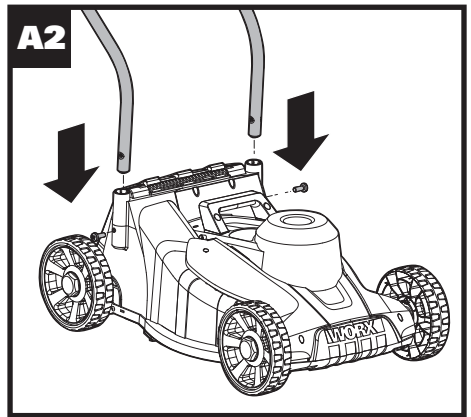
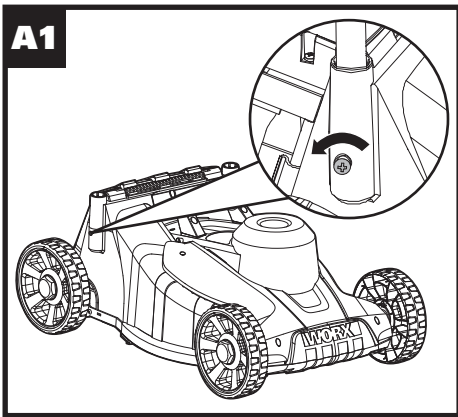
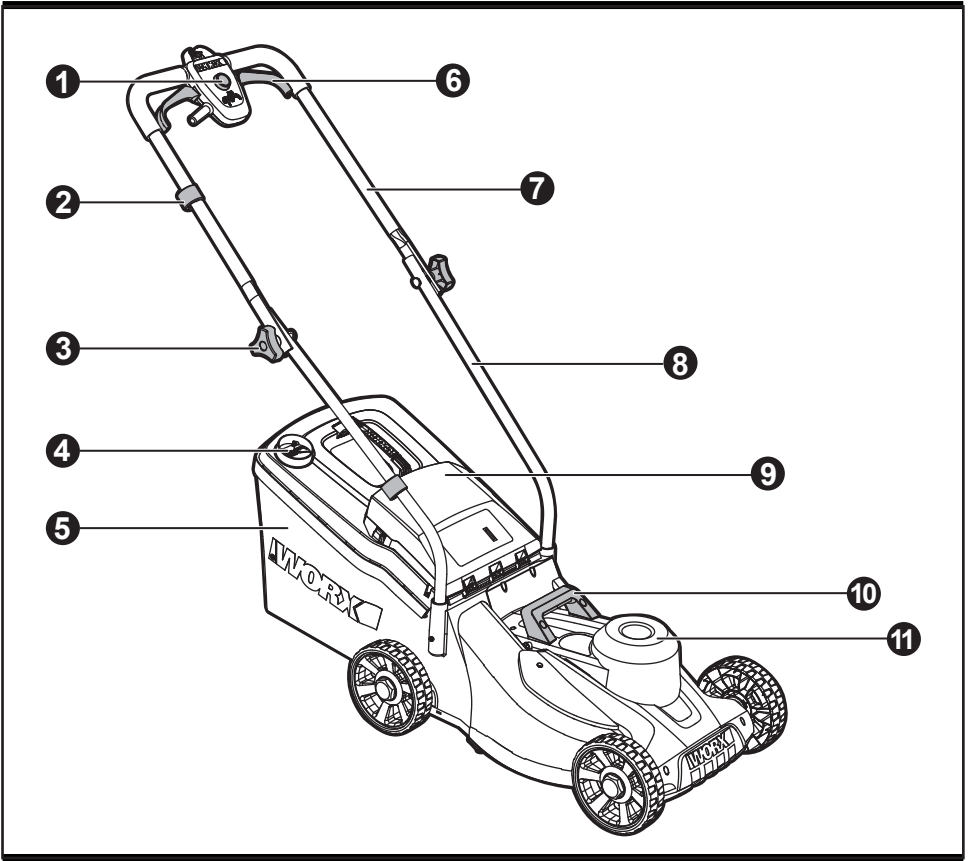


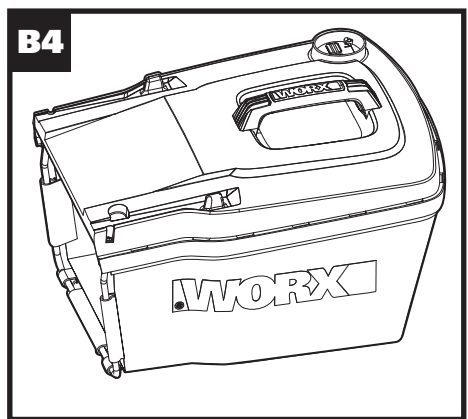
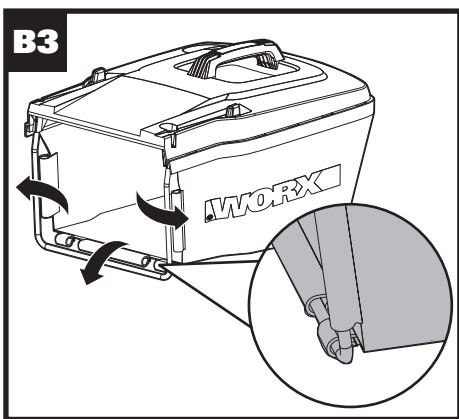
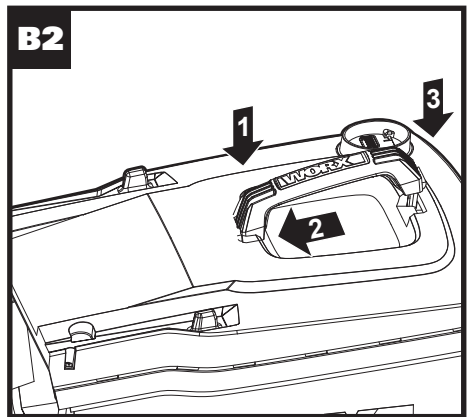
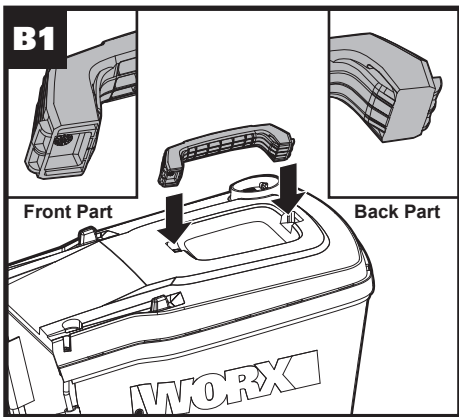
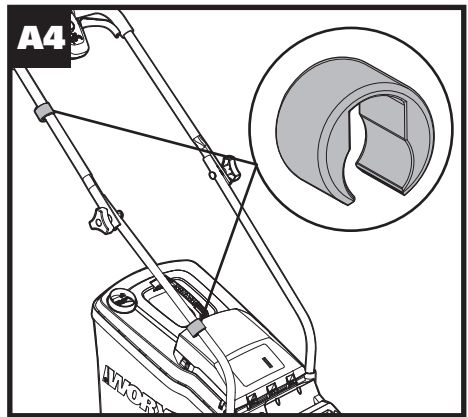
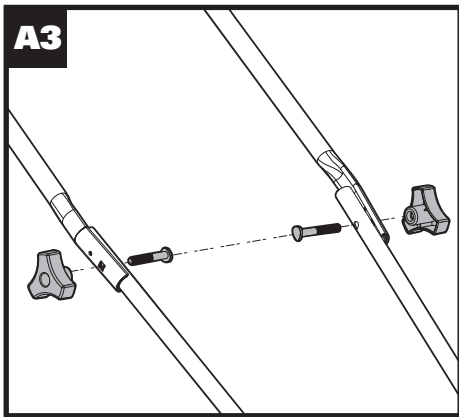
## **SAFETY AND OPERATING MANUAL**

### **ORIGINAL INSTRUCTIONS**

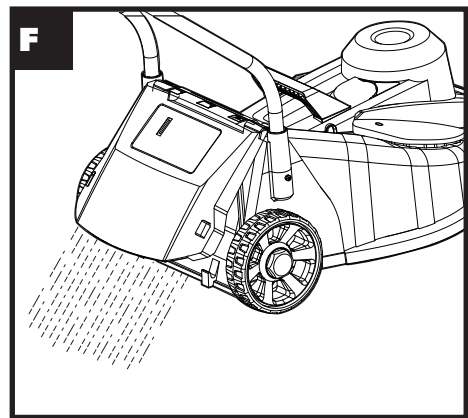
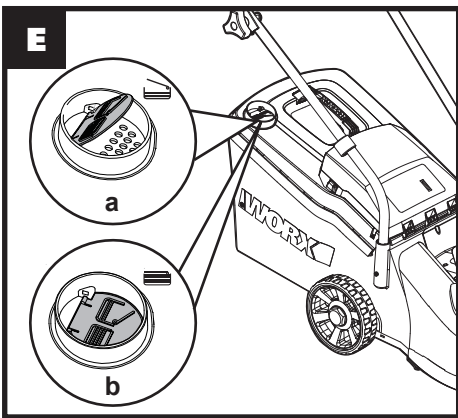
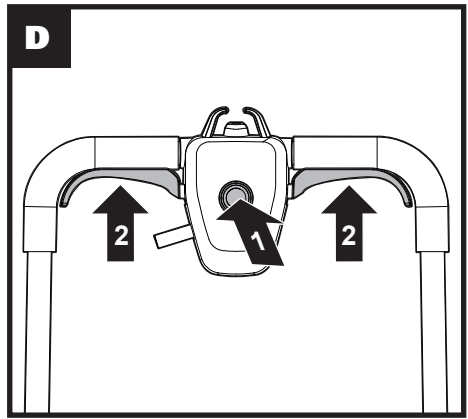
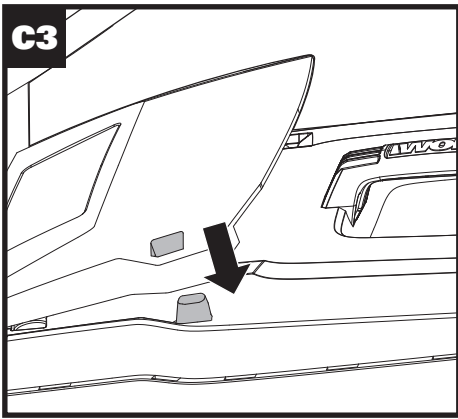
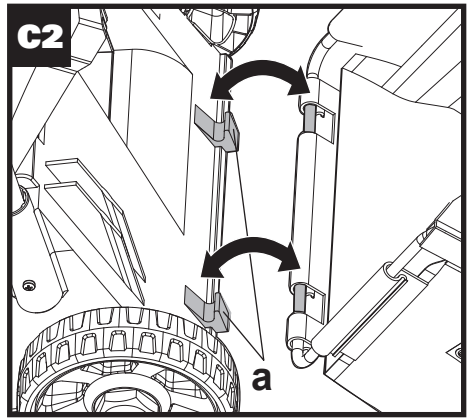
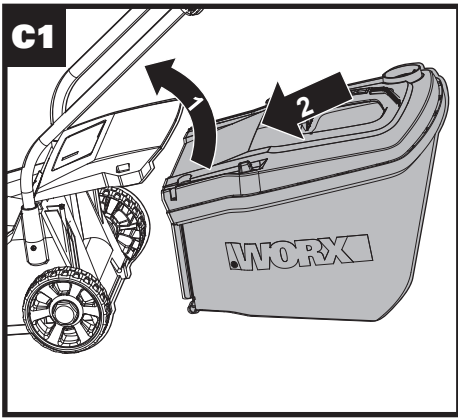
**Electric Lawn Mower      WG722E**

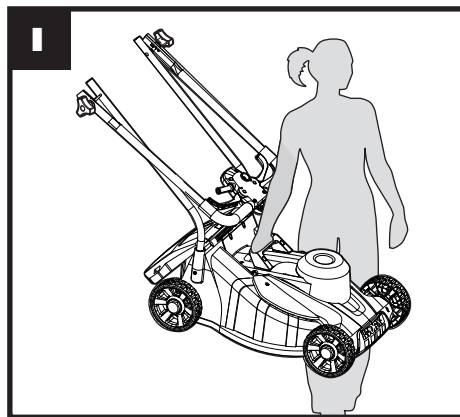
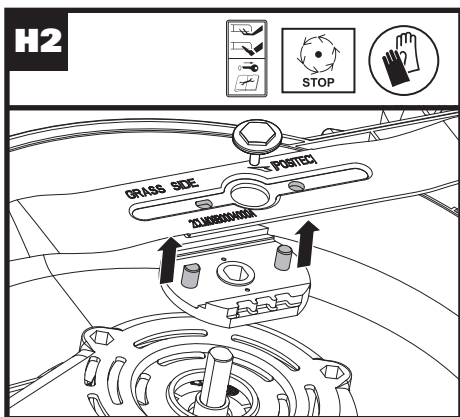
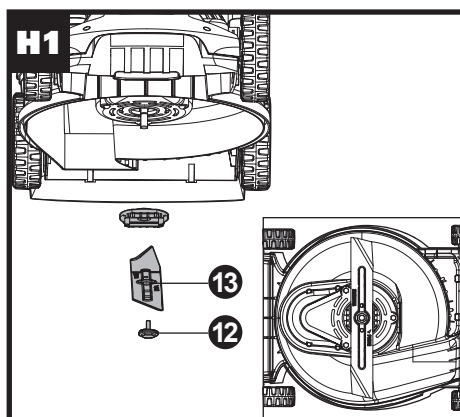
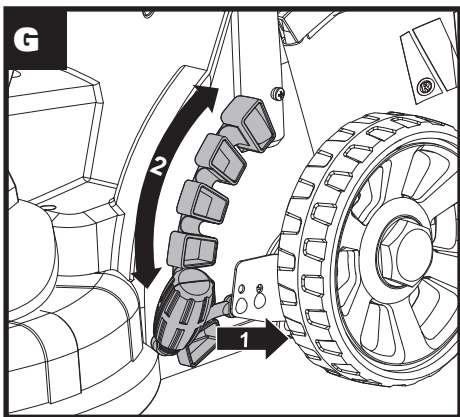













1. SAFETY BUTTON
2. CABLE CLIP
3. HANDLE KNOBS
4. GRASS BAG FILLING INDICATOR
5. GRASS COLLECTION BAG
6. SWITCH LEVER
7. UPPER HANDLE
8. LOWER HANDLE
9. SAFETY FLAP
10. CARRY HANDLE
11. MOTOR COVER
12. BLADE BOLT (SEE FIG H1)
13. BLADE (SEE FIG H1)

Not all the accessories illustrated or described are included in standard delivery.

## TECHNICAL DATA

Type **WG722E (705-739-designation of machinery, representative of Electric rotary mower)**

Rated Voltage	230-240V~50Hz
Rated Power	1400W
cutting capacity	330mm
No load speed	3700/min
Cutting height	20-60mm
Cutting height positions	5 positions
Grass collection capacity	30L
Protection Class	 /II
Machine Weight	9.7kg

## NOISE DATA

A weighted sound pressure	$L_{PA}$ : 79.8dB(A)
	$K_{PA}$ : 3.0dB(A)
A weighted sound power	$L_{WA}$ : 93.8dB(A)

Wear ear protection



## VIBRATION INFORMATION

Typical weighted vibration	$a_h < 2.5 \text{ m/s}^2$
	Uncertainty $K=1.5\text{m/s}^2$

**WARNING:** The vibration emission value during actual use of the power tool can differ from the declared value depending on the ways in which the tool is used dependant on the following examples and other variations on how the tool is used:  
 How the tool is used and the materials being cut or drilled.  
 The tool being in good condition and well maintained  
 Using the correct accessory for the tool and ensuring it is sharp and in good condition.  
 The tightness of the grip on the handles and if any anti vibration accessories are used.  
 And the tool is being used as intended by its design and these instructions.

**This tool may cause hand-arm vibration syndrome if its use is not adequately managed.**

**WARNING:** To be accurate, an estimation of exposure level in the actual conditions of use should also take account of all parts of the operating cycle such as the times when the tool is switched off and when it is running idle but not actually doing the job. This may significantly reduce the exposure level over the total working period. Helping to minimise your vibration exposure risk. ALWAYS use sharp chisels, drills and blades. Maintain this tool in accordance with these instructions and keep well lubricated (where appropriate)  
 If the tool is to be used regularly then invest in anti vibration accessories.  
 Plan your work schedule to spread any high vibration tool use across a number of days.

## ACCESSORIES

Grass collection bag	1
Handle knobs	2
Cable clips	2
Spanner	1

We recommend that you purchase your accessories from the same store that sold you the tool. Refer to the accessory packaging for further details. Store personnel can assist you and offer advice.

## **PRODUCT SAFETY GENERAL SAFETY WARNINGS**

 **WARNING: Read all safety warnings and all instructions.** Failure to follow the warnings and instructions may result in electric shock, fire and/or serious injury.

### **Save all warnings and instructions for future reference.**

- This appliance is not intended for use by persons (including children) with reduced physical, sensory or mental capabilities, or lack of experience and knowledge, unless they have been given supervision or instruction concerning use of the appliance by a person responsible for their safety.
- Children should be supervised to ensure that they do not play with the appliance.

If the supply cord is damaged, it must be replaced by the manufacturer, its service agent or similarly qualified persons in order to avoid a hazard.

## **IMPORTANT READ CAREFULLY BEFORE USE.**

### **KEEP FOR FUTURE REFERENCE.**

### **Safe operating practices for electrically powered lawnmowers Training**

- a) Read the instructions carefully. Be familiar with the controls and the proper use of the machine.
- b) Never allow children or people unfamiliar with these instructions to use the lawnmower. Local regulations can restrict the age of the operator.
- c) Never operate the machine while people, especially children, or pets are nearby.
- d) Keep in mind that the operator or user is responsible for accidents or hazards occurring to other people or their property.

### **Preparation**

- a) While operate the machine, always wear substantial footwear and long trousers. Do not operate the equipment when barefoot or wearing open sandals. Avoid wearing clothing that is loose fitting or that has hanging cords or ties.

- b) Thoroughly inspect the area where the equipment is to be used and remove all objects which can be thrown by the machine.
- c) Before using, always visually inspect to see that the blade, blade bolt and the blade assembly are not worn or damaged. Replace worn or damaged blades and bolts in sets to preserve balance. Replace damaged and unreadable labels.
- d) Before use check the supply and extension cord for signs of damage or aging. If the cord becomes damaged during the use, disconnect the cord from the supply immediately. **DO NOT TOUCH THE CORD BEFORE DISCONNECTING THE SUPPLY.** Do not use the machine if the cord is damaged or worn.
- e) when changing direction on slopes.
- g) Do not mow excessively steep slopes.
- h) Use extreme caution when reversing or pulling the lawnmower towards you.
- i) Stop the blade(s) if the lawnmower has to be tilted for transportation when crossing surfaces other than grass, and when transporting the lawnmower to and from the area to be mowed.
- j) Never operate the lawnmower with defective guards, or without safety devices, for example deflectors and/or grass catchers, in place.
- k) Switch on the motor carefully according to instructions and with feet well away from the blade(s).
- l) Do not tilt the lawnmower when switching on the motor, except if the lawnmower has to be tilted for starting. In this case, do not tilt it more than absolutely necessary and lift only the part which is away from the operator.
- m) Do not start the machine when standing in front of the discharge.
- n) Do not put hands or feet near or under rotating parts.

## **Operation**

- a) Operate the machine only in daylight or in good artificial light.
- b) Avoid operating the machine in wet grass.
- c) Always be sure of your footing on slopes.
- d) Walk, never run.
- e) Mow across the face of slopes, never up and down.
- f) Exercise extreme caution

- Keep clear of the discharge opening at all times.
- o) Do not transport the lawnmower while the power source is running.
  - p) Stop the machine and disconnect the plug from the mains. Make sure that all moving parts have come to complete stop.
    - whenever you leave the machine;
    - before clearing blockages or unclogging chute;
    - before checking, cleaning or working on the lawnmower;
    - after striking a foreign object. Inspect the lawnmower for damage and make repairs before restarting and operating the lawnmower.

---

10

if the lawnmower starts to vibrate abnormally (check immediately)

- inspect for damage;
- replace or repair any damaged parts;
- check for and tighten any loose parts.

### **Maintenance and storage**







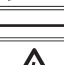






- a) Keep all nuts, bolts and screws tight to be sure the machine is in safe working condition;
- b) Check the grass catcher frequently for wear or deterioration;

- c) Replace worn or damaged parts for safety. Use only genuine replacement parts and accessories.
- d) Be careful during adjustment of the machine to prevent entrapment of the fingers between moving blades and fixed parts of the machine.
- e) On machines with multi blade, take care as rotating one blade can cause other blades to rotate.
- f) Always allow the machine to cool down before storing.
- g) When servicing the blades be aware that, even though the power source is switched off, the blades can still be moved.

### **Recommendation**

To connect the machine only to a supply circuit protected by a residual current device (RCD) with a tripping current of not more than 30mA.

## SYMBOLS

 	<p>Read instruction handbook before operation this machine</p>
 	<p>Keep bystanders away</p>
  	<p>Beware of sharp blades. Blades continue to rotate after the motor is switched off- Remove plug from mains before maintenance or if cord is damaged.</p>
 	<p>Keep the supply flexible cord away from the blades.</p>
	<p>Blade continues to rotate after the machine is switched off. Wait until all machines components have completely stopped before touching them.</p>
	<p>Double insulation</p>
 	<p>Waste electrical products must not be disposed of with household waste. Please recycle where facilities exist. Check with your local authorities or retailer for recycling advice.</p>

## INTENDED USE

This product is intended for domestic lawn mowing.

## ASSEMBLY

**!** **IMPORTANT!** Before you assemble the lawn mower, check the accessories according above information, make sure the accessories are completed.

### 1. FITTING THE HANDLE (See Fig A1, A2, A3, A4)

- 1) Remove the screws (X 2) on the both side of deck. (See Fig. A1)
- 2) Insert the lower handle (8) into the holes provided. (See Fig.A2)
- 3) Secure with the screws provided.
- 4) Attach the upper handle (7) with the bolts and handle knobs (3) to the lower handle (8). (See Fig. A3)
- 5) Tightening the two handle knobs (3). Check that the handle is FULLY secured.

**NOTE:** Ensure the bolts are fully inserted through the handles before fitting the handle knobs.

- 6) Attach the cable clips (2) provided, to the upper and lower handle. Insert the cable into the clips ensuring there is enough cable slack. (See Fig. A4)

### 3. GRASS COLLECTION BAG ASSEMBLY (See Fig B1-B4)

Step 1: Connect the grass box handle to the box top. Press the front of the handle briefly. (See Fig.B1,B2)

Step 2. Then push it forward. (See Fig. B2)

Step 3. Push down the back of the handle. (See Fig. B2)

Step 4. Clip the plastic clips over the metal frame. (See Fig B3,B4 )

**!** **WARNING: Don't fit the handle in reversed direction. Fit the handle as shown in Fig. B1.**

### 3. GRASS COLLECTION BAG FITTING (See Fig. C1, C2, C3)

1. Turn the mower off, wait until blade stops.
2. Raise the safety flap (9) and hold it up. (See Fig.C1)
3. Pick up the grass bag by the handle, and position grass bag on the lower hooks (a) on the mower deck. (See Fig. C2)
4. Release the safety guard to lock the grass bag into position. Ensure the grass bag is installed securely. (See Fig.C3)

**NOTE:** Depress the grass bag slightly to ensure that it is completely installed.

### 4. REMOVING/EMPTYING

Hold the grass bag, lift the safety flap (9) and hold up. Remove grass bag (5).

**!** **WARNING:** Always check the safety flap (9) can close the discharge outlet before using. Never lift the safety flap (9) when the lawn mower is being used without fitted grass bag (5).

**NOTE:** The discharge outlet CANNOT be closed tightly by the safety flap (9) because of the rear discharge function (See Fig. F).

## OPERATION

### 1. STARTING AND STOPPING (SEE Fig. D)

#### STARTING

Connect the plug to the mains and switch on.

**The switch box is provided with a lock-off button to prevent accidental starting.**

With one hand press and hold the safety button, with the other hand squeeze the switch lever towards the handle, and release the safety lock-off button. The machine is now started, wait until the product is at full speed before cutting the grass. Then use both your hands to hold the switch lever on both sides to keep it running.

#### STOPPING

Release the switch lever.

### 2. HOW TO MOW

For cutting convenience, it may be best to start mowing at a point close to the power supply and to work your way away from the supply. Mow the lawn at a right angle from the power supply and place the power cable to side which has already been cut.

**NOTE: The motor is protected by a safety cut out which is activated when the blade becomes jammed or if the motor is overloaded.**

When this occurs, remove the plug from the power supply. Release the switch lever, Clear any obstruction, then restart it. If the mower cuts out again increase the height of cut to reduce the load on the motor.

**WARNING!** When mowing do not allow the motor to labor particularly in heavy conditions. When the motor labors the speed of the motor drops and you will hear a change in the motor sound, when this occurs, stop mowing, release the switch lever and raise the height of cut. Failure to do so could damage the machine.

### 3. GRASS BAG FILLING INDICATOR (See Fig. E)

To remind you immediately to empty when the grass bag is full, we provide an indicator on the top of bag. And you can follow as below:

**Empty status: flap float (a)**



**Fully status: flap fall down (b)**



### 4. REAR DISCHARGE (See Fig. F)

The mower provides a rear discharge function, so that you can mow without bag collection. The debris will be discharged from the rear chute.

### 5. ADJUSTING THE CUTTING HEIGHT (See Fig. G)



**WARNING!** RELEASE THE SWITCH LEVER, UNPLUG TOOL, AND WAIT FOR BLADE TO COME TO A COMPLETE STOP. The blades continue to rotate after the machine is switched off, a rotating blade can cause injury.

**CAUTION:** Do not touch rotating blades.

The lawn mower can be set to 5 cutting heights between 20mm and 60mm. For this purpose, pull the cutting height adjustment lever outwards then adjust to the preferred position

## MAINTENANCE



**WARNING: Stop the mower and unplug the tool before performing any maintenance.**

**NOTE:** To ensure long and reliable service, perform the following maintenance procedures regularly. Check for obvious defects such as a loose, dislodged or a damaged blade, loose fittings and hardware, and worn or damaged components. Check that the covers and guards are all undamaged and are correctly attached to mower. Carry out any necessary maintenance or repairs before operating mower. If the mower should happen to fail despite regular maintenance, please call our customer helpline for advice.

### BLADE MAINTENANCE (See Fig. H1, H2)



**WARNING:** Never carry out any assembly operations or adjustments with the power connected to the mower. Always ensure that the power button is in the off position and that the power plug is disconnected from the supply.

Always handle the blade with care-sharp edges could cause injury use gloves.

Follow these procedures to remove and replace the blade. You will need garden gloves (not provided) and a spanner wrench (not provided) to remove the blade. Hold the blade (13) and unscrew the blade bolt (12) anticlockwise using a spanner wrench. Remove blade and attach a new one to the blade bolt. Ensure that the blade is properly positioned as seen in Fig.H1, then firmly tighten the bolt. **Do not over tighten.**

Renew your metal blade after 50hrs mowing or 2 years, whichever ever is the sooner-regardless of condition.

**If the blade is cracked or damaged replace it with a new one.**

### STORAGE: (SEE FIG. I)

Clean the exterior of the machine thoroughly using a soft brush and cloth. Do not use water, solvents or polishes. Remove all grass and debris, especially from the ventilation slots.

Turn the machine on its side and clean the blade area. If grass cuttings are compacted in the blade area, remove with a wooden or plastic implement. Store the machine in a dry place. Do not place other



objects on top of the machine.  
To aid storage loosen the handle knobs and fold the handles.

You could carry the mower by carry handle (10).  
Ensure cables are not stuck or entangled when folding or unfolding upper handles. **Do not drop the handles.**

## ENVIRONMENTAL PROTECTION



Waste electrical products should not be disposed of with household waste. Please recycle where facilities exist. Check with your Local Authority or retailer for recycling advice.

## TROUBLE SHOOTING

Symptom	Possible Cause	Remedy
Machine fails to operate	Power turned off Mains socket faulty Extension cable damaged Fuse faulty/blown Mower in long grass	Turn power on Use another socket Inspect cable, replace if damaged Replace fuse Increase height of cut and tilt mower
Machine functions intermittently	Extension cable damaged Machines internal wiring damaged	Inspect cable, replace if damaged Contact Service Agent
Machine leaves ragged Finish or motor labours	Height of cut too low  Cutting blade blunt  Underside of machine badly clogged  Blade fitted upside down	Increase height of cut (See "ADJUSTING THE CUTTING HEIGHT") Replace blade (See "Blade Maintenance") Clean machine (See "Storage") Refit blade correctly (See "Blade Maintenance")
Cutting blade not rotating while machine switched on	Cutting blade obstructed Blade nut/bolt loose	Clear obstruction Tighten blade nut/bolt
Excessive vibration/noise	Blade nut/bolt loose Cutting blade damaged	Tighten blade nut/bolt Replace blade

## PLUG REPLACEMENT (ONLY FOR REWIRABLE PLUG OF UK & IRELAND)

If you need to replace the fitted plug then follow the instructions below.

### IMPORTANT

The wires in the mains lead are colored in accordance with the following code:

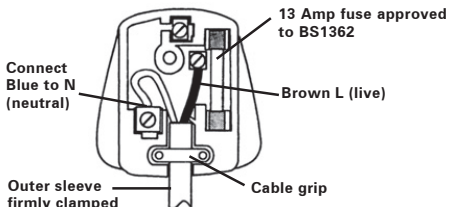
**Blue - Neutral**

**Brown - Live**

As the colors of the wires in the mains lead of this appliance may not correspond with the coloured markings identifying the terminals in your plug, proceed as follows. The wire which is coloured blue must be connected to the terminal which is marked with N. The wire which is coloured brown must be connected to the terminal which is marked with L.

**WARNING:** Never connect live or neutral wires to the earth terminal of the plug. Only fit an approved 13A BS1363/A plug and the correct rated fuse.

**NOTE:** If a moulded plug is fitted and has to be removed take great care in disposing of the plug and severed cable, it must be destroyed to prevent engaging into a socket.



## DECLARATION OF CONFORMITY

We,  
Positec Power Tools (Europe)  
PO Box 6242, Newbury, RG14 9LT, UK

Declare that the product,  
Description **WORX Electrical Lawn mower**  
Type **WG722E (705-739-designation of machinery, representative of Electric rotary mower)**

Function **Cutting grass**

Complies with the essential health and safety requirements of the following directive:

**2006/42/EC, 2014/30/EU, 2011/65/EU, 2000/14/EC amended by 2005/88/EC**

2000/14/EC amended by 2005/88/EC:

- Conformity assessment procedure as per **Annex VI.**
- Measured Sound Power Level **93.8dB(A)**
- Declared Guaranteed Sound Power Level **96dB(A)**

The notified body involved

**Name: Intertek Testing & Certification**

**Ltd(notified body 0359)**

**Address: Davy Avenue, Knowlhill, Milton Keynes, MK5 8NL**

Standards conform to,

**EN 60335-1**

**EN 60335-2-77**

**EN 62233**

**EN ISO 3744**

**EN 55014-1**

**EN 55014-2**

The person authorized to compile the technical file,

**Name Russell Nicholson**

**Address Positec Power Tools (Europe) Ltd,**

**PO Box 6242, Newbury, RG14 9LT, UK**



Suzhou 2016/12/08

Allen Ding

Deputy Chief Engineer, Testing & Certification



**WORX**  
**it's your nature**

**[www.worx.com](http://www.worx.com)**

Copyright © 2016, Positec. All Rights Reserved.  
AR01272001