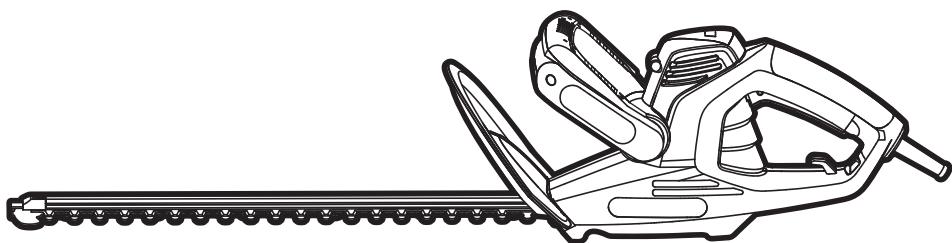


WORX



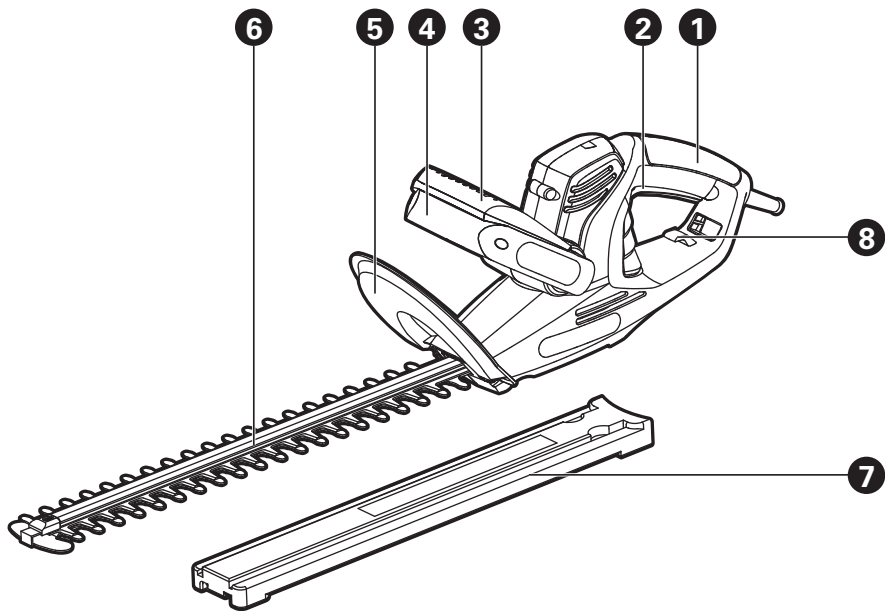
SAFETY AND OPERATING MANUAL

ORIGINAL INSTRUCTIONS

Hedge Trimmer

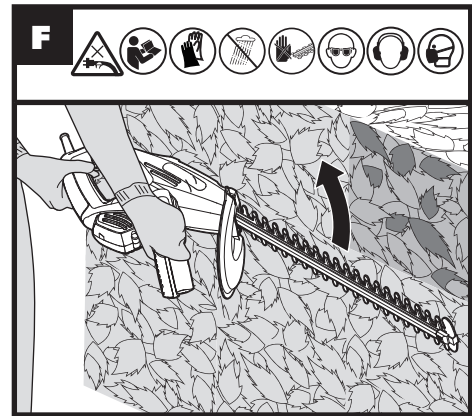
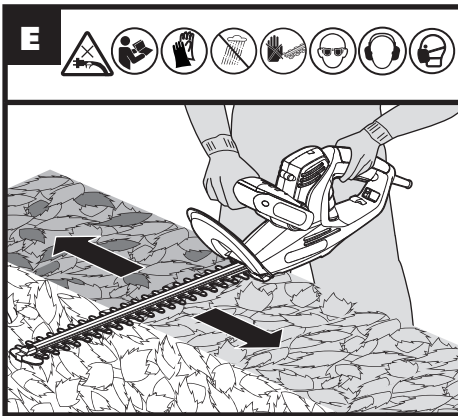
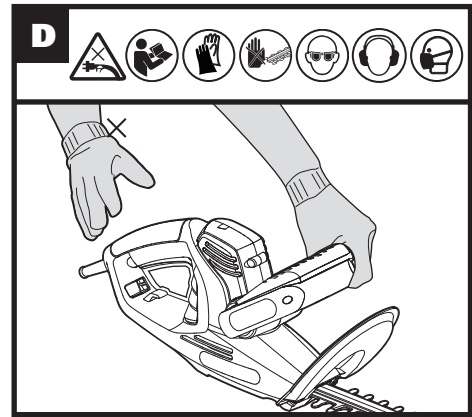
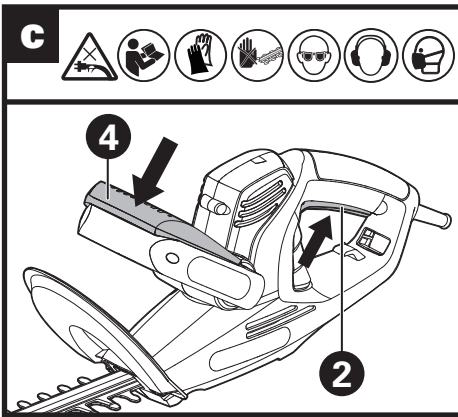
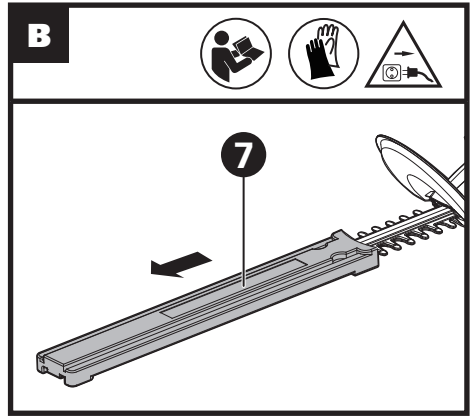
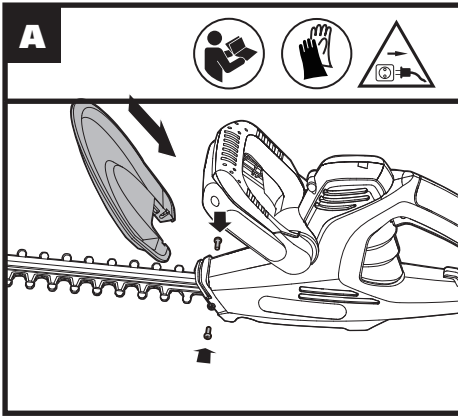
WG213E





Hedge Trimmer

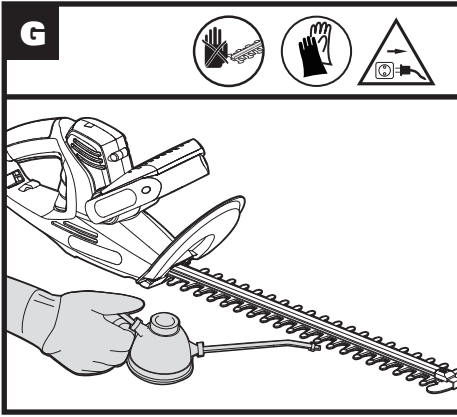
WG213E



4

Hedge Trimmer

WG213E



GENERAL POWER TOOL SAFETY WARNINGS



WARNING: Read all safety warnings and all instructions. Failure to follow the warnings and instructions may result in electric shock, fire and/or serious injury.

Save all warnings and instructions for future reference.

The term “power tool” in the warnings refers to your mains-operated (corded) power tool or battery-operated (cordless) power tool.

1. WORK AREA SAFETY

- a) **Keep work area clean and well lit.** Cluttered or dark areas invite accidents.
- b) **Do not operate power tools in explosive atmospheres, such as in the presence of flammable liquids, gases or dust.** Power tools create sparks which may ignite the dust or fumes.
- c) **Keep children and bystanders away while operating a power tool.** Distractions can cause you to lose control.

2. ELECTRICAL SAFETY

- a) **Power tool plugs must match the outlet. Never modify the plug in any way. Do not use any adapter plugs with earthed (grounded) power tools.** Unmodified plugs and matching outlets will reduce risk of electric shock.
- b) **Avoid body contact with earthed or grounded surfaces, such as pipes, radiators, ranges and refrigerators.** There is an increased risk of electric shock if your body is earthed or grounded.
- c) **Do not expose power tools to rain or wet conditions.** Water entering a power tool will increase the risk of electric shock.
- d) **Do not abuse the cord. Never use the cord for carrying, pulling or unplugging the power tool. Keep cord away from heat, oil, sharp edges or moving parts.** Damaged or entangled cords increase the risk of electric shock.
- e) **When operating a power tool outdoors, use an extension cord suitable for outdoor use.** Use of a cord suitable for outdoor use reduces the risk of electric shock.
- f) **If operating a power tool in a damp location is unavoidable, use a residual current device (RCD) protected supply.** Use of an RCD reduces the risk of electric shock.

3. PERSONAL SAFETY

- a) **Stay alert, watch what you are doing and use common sense when operating a power tool. Do not use a power tool while you are tired or under the influence of drugs, alcohol or medication.** A moment of

inattention while operating power tools may result in serious personal injury.

- b) **Use personal protective equipment. Always wear eye protection.** Protective equipment such as dust mask, non-skid safety shoes, hard hat, or hearing protection used for appropriate conditions will reduce personal injuries.
 - c) **Prevent unintentional starting. Ensure the switch is in the off-position before connecting to power source and/or battery pack, picking up or carrying the tool.** Carrying power tools with your finger on the switch or energising power tools that have the switch on invites accidents.
 - d) **Remove any adjusting key or wrench before turning the power tool on.** A wrench or a key left attached to a rotating part of the power tool may result in personal injury.
 - e) **Do not overreach. Keep proper footing and balance at all times.** This enables better control of the power tool in unexpected situations.
 - f) **Dress properly. Do not wear loose clothing or jewellery. Keep your hair, clothing and gloves away from moving parts.** Loose clothes, jewellery or long hair can be caught in moving parts.
 - g) **If devices are provided for the connection of dust extraction and collection facilities, ensure these are connected and properly used.** Use of dust collection can reduce dust-related hazards.
- ### 4. POWER TOOL USE AND CARE
- a) **Do not force the power tool. Use the correct power tool for your application.** The correct power tool will do the job better and safer at the rate for which it was designed.
 - b) **Do not use the power tool if the switch does not turn it on and off.** Any power tool that cannot be controlled with the switch is dangerous and must be repaired.
 - c) **Disconnect the plug from the power source and/or the battery pack from the power tool before making any adjustments, changing accessories, or storing power tools.** Such preventive safety measures reduce the risk of starting the power tool accidentally.
 - d) **Store idle power tools out of the reach of children and do not allow persons unfamiliar with the power tool or these instructions to operate the power tool.** Power tools are dangerous in the hands of untrained users.
 - e) **Maintain power tools. Check for misalignment or binding of moving parts, breakage of parts and any other condition that may affect the power tool's operation. If damaged, have the power tool repaired before use.** Many accidents are caused by poorly maintained power tools.
 - f) **Keep cutting tools sharp and clean.**

Properly maintained cutting tools with sharp cutting edges are less likely to bind and are easier to control.

- g) Use the power tool, accessories and tool bits etc. in accordance with these instructions, taking into account the working conditions and the work to be performed.** Use of the power tool for operations different from those intended could result in a hazardous situation.

5. SERVICE

- a) Have your power tool serviced by a qualified repair person using only identical replacement parts.** This will ensure that the safety of the power tool is maintained.

SAFETY WARNINGS FOR HEDGE TRIMMER:

- 1. Keep all parts of the body away from the cutter blade. Do not remove cut material or hold material to be cut when blades are moving. Make sure the switch is off when clearing jammed material.** A moment of inattention while operating the hedge trimmer may result in serious personal injury.
- 2. Carry the hedge trimmer by the handle with the cutter blade stopped. When transporting or storing the hedge trimmer always fit the cutting device cover.** Proper handling of the hedge trimmer will reduce possible personal injury from the cutter blades.
- 3. Keep cable away from cutting area.** During operation the cable may be hidden in shrubs and can be accidentally cut by the blade.
- 4. Hold the power tool by insulated gripping surfaces only, because the cutter blade may contact hidden wiring or its own cord.** Cutter blades contacting a "live" wire may make exposed metal parts of the power tool "live" and could give the operator an electric shock.
5. Check the hedge for foreign objects, e.g. wire fences.
6. Use both hands when operating the hedge trimmer. Using one hand could cause loss of control and result in serious personal injury.
7. Recommendation for the use of a residual current device with a tripping current of 30 mA or less.

SYMBOLS



To reduce the risk of injury, user must read instruction manual



Wear ear protection



Wear eye protection



Wear dust mask



Do not expose to moisture



Before working with your tool make sure that no power cords will be damaged.



Make sure the tool is unplugged prior to changing accessories.



Double insulation



Keep hands away



Wear protective gloves.



Waste electrical products must not be disposed of with household waste. Please recycle where facilities exist. Check with your local authorities or retailer for recycling advice.

- 1 REAR HANDLE**
- 2 REAR SWITCH LEVER**
- 3 FRONT HANDLE SWITCH LEVER**
- 4 FRONT HANDLE**
- 5 SAFETY GUARD**
- 6 BLADE**
- 7 BLADE SHEATH**
- 8 CABLE STRAIN RELIEF HOOK**

Not all the accessories illustrated or described are included in standard delivery.

TECHNICAL DATA

Type **WG213E (2-designation of machinery, representative of Hedge Trimmer)**

Rated voltage	230-240V~50Hz
Rated power	450W
Rated no load speed	1700/min
Cutting length	45cm
8 Cutting diameter	16mm
Machine weight	2.8kg
Protection class	□ / II

NOISE INFORMATION

A weighted sound pressure L_{PA} :85dB(A) K_{PA} =3dB(A)

A weighted sound power L_{WA} :96dB(A) K_{WA} =3dB(A)

Wear ear protection. 

VIBRATION INFORMATION

Vibration total values (triax vector sum) determined according to EN 60745:

Vibration emission value:	a_h =4.0m/s ²
	Uncertainty K=1.5m/s ²

The declared vibration total value may be used for comparing one tool with another, and may also be used in a preliminary assessment of exposure.



WARNING: The vibration emission value during actual use of the power tool can differ from the declared value depending on the ways in which the tool is used dependant on the following examples and other variations on how the tool is used:

How the tool is used and the materials being cut or drilled.

The tool being in good condition and well maintained

The use the correct accessory for the tool and ensuring it is sharp and in good condition.

The tightness of the grip on the handles and if any anti vibration accessories are used.

And the tool is being used as intended by its design and these instructions.

This tool may cause hand-arm vibration syndrome if its use is not adequately managed.



WARNING: To be accurate, an estimation of exposure level in the actual conditions of use should also take account of all parts of the operating cycle such as the times when the tool is switched off and when it is running idle but not actually doing the job. This may significantly reduce the exposure level over the total working period.

Helping to minimize your vibration exposure risk. ALWAYS use sharp chisels, drills and blades.

Maintain this tool in accordance with these instructions and keep well lubricated (where appropriate).

If the tool is to be used regularly then invest in anti vibration accessories.

Avoid using tools in temperatures of 10°C or less.

Plan your work schedule to spread any high vibration tool use across a number of days.

ACCESSORY

Safety guard **1**

Blade sheath **1**

We recommend that you purchase your accessories from the same store that sold you the tool. Choose the type according to the work you intend to undertake. Refer to the accessory packaging for further details. Store personnel can assist you and offer advice.

OPERATING INSTRUCTIONS



WARNING! Do not use the product without attaching the guard and front handle.



INTENDED USE:

This machine is intended to be used domestically for cutting and trimming hedges and bushes.

Hedge Trimmer

WG213E

ASSEMBLY & OPERATION

ACTION	FIGURE
ASSEMBLY	
ASSEMBLING THE SAFE GUARD	See Fig. A
OPERATION	
REMOVING THE BLADE SHEATH	See Fig. B
STARTING AND STOPPING	
 WARNING: If any parts are missing, damaged or broken, do not operate your Hedge trimmer until all damaged parts have been replaced or repaired. Failure to do so could result in serious personal injury. DO NOT USE WITHOUT HANDLE AND GUARD	
TO START YOUR HEDGE TRIMMER	See Fig. C
TO STOP YOUR HEDGE TRIMMER	See Fig. D
USING YOUR HEDGE TRIMMER	
 WARNING: Check extension cords before each use. If damaged replace immediately. Never use your tool with a damaged cord since touching the damaged area could cause electrical shock resulting in serious injury. If the supply cord is damaged, it should be replaced by a local approved Service Centre. Take care not to expose this tool to rain.	
TOP CUTTING	See Fig. E
SIDE CUTTING	See Fig. F
LUBRICATING THE CUTTING BLADE	See Fig. G
NOTE: It is important to use only the recommended standard lubricating oil (WD-40) to avoid damage to the blade.	

HOW TO USE YOUR HEDGE TRIMMER

Inspect the area to be cut before each use, remove objects which can be thrown or become entangled in the cutting blades.

Always hold the Hedge trimmer with both hands and with the blade away from you before turning it on.

Always keep the power cord behind the Hedge trimmer when in use. Do not place it over the hedge that you are trimming where it may be cut by the blade.

When trimming new growth, use a wide sweeping action so that the stems are fed directly into the blade. (See Fig. E & F)

Allow the cutting blades to reach full speed before entering the material to be cut.

Always work going away from people and solid objects such as walls, large stones, trees, vehicles etc. If the blade stalls, immediately stop the Hedge trimmer. Disconnect the Hedge trimmer from the mains and clear the jammed debris from the cutting blades.

Wear gloves when trimming thorny or prickly growth. Move the Hedge trimmer to feed the branches directly into the blade cutting edges.

Do not try to cut stems that are too large to feed into the cutting blade.

TOP CUTTING (SEE FIG. E)

Use a wide sweeping motion. A slight downward tilt of the cutting blades in the direction of motion gives the best cutting results.

SIDE CUTTING (SEE FIG. F)

When trimming the sides of the hedge, begin at the bottom and cut upwards, tapering the hedge inward at the top. This shape will expose more of the hedge, resulting in a more uniformed growth.


MAINTENANCE

CLEANING

Disconnect from mains electric supply. Using a soft brush remove debris from all air intakes and cutting blade.

If the supply cord is damaged, it must be replaced by the manufacturer, its service agent or similarly qualified persons in order to avoid a hazard.

Wipe over surface of your Hedge trimmer with a dry cloth.

 **WARNING!** Never use water for cleaning your Hedge trimmer. Do not clean with chemicals, including petrol, or solvents as this can damage your hedge trimmer.

AT THE END OF THE CUTTING SEASON

Clean your Hedge trimmer thoroughly.


Check that all nuts and bolts are secure.

Visually inspect the Hedge trimmer for any worn or damaged parts.

TO STORE YOUR HEDGE TRIMMER

Store the hedge trimmer in a secure, dry place out of the reach of children. Do not place other objects on top of the machine.

ENVIRONMENTAL PROTECTION

 Waste electrical products must not be disposed of with household waste. Please recycle where facilities exist. Check with your local authorities or retailer for recycling advice.

PLUG REPLACEMENT (UK & IRELAND ONLY)

If you need to replace the fitted plug then follow the instructions below.


IMPORTANT

The wires in the mains lead are colored in accordance with the following code:

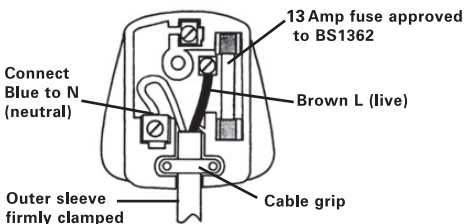
Blue = Neutral

Brown = Live

As the colors of the wires in the mains lead of this appliance may not correspond with the coloured markings identifying the terminals in your plug, proceed as follows. The wire which is coloured blue must be connected to the terminal which is marked with N. The wire which is coloured brown must be connected to the terminal which is marked with L.

 **WARNING!** Never connect live or neutral wires to the earth terminal of the plug. Only fit an approved BS1363/A plug and the correct rated fuse.

NOTE: If a moulded plug is fitted and has to be removed take great care in disposing of the plug and severed cable, it must be destroyed to prevent engaging into a socket.



DECLARATION OF CONFORMITY

We,
Positec Power Tools (Europe)Ltd,
PO Box 6242, Newbury, RG14 9LT, UK

Declare that the product
Description **WORX Hedge Trimmer**
Type **WG213E (2-designation of machinery, representative of Hedge Trimmer)**
Function **Trimming hedges and brushes**

Complies with the following Directives,
2006/42/EC
2014/30/EU
2011/65/EU
2000/14/EC amended by 2005/88/EC

2000/14/EC amended by 2005/88/EC:
- Conformity Assessment Procedure as per **Annex V**
- Measured Sound Power Level **96dB(A)**
- Declared Guaranteed Sound Power Level **99dB(A)**

Standards conform to,
EN 60745-1
EN 60745-2-15
EN ISO 3744
EN 55014-1
EN 55014-2
EN 61000-3-2
EN 61000-3-3

The person authorized to compile the technical file,

Name Russell Nicholson
Address Positec Power Tools (Europe) Ltd, PO Box 6242, Newbury, RG14 9LT, UK



Suzhou 2016/09/30
Allen Ding
Deputy Chief Engineer, Testing & Certification

Hedge Trimmer

WG213E

WORX
it's your nature

www.worx.com

Copyright © 2016, Positec. All Rights Reserved.
AR01268701