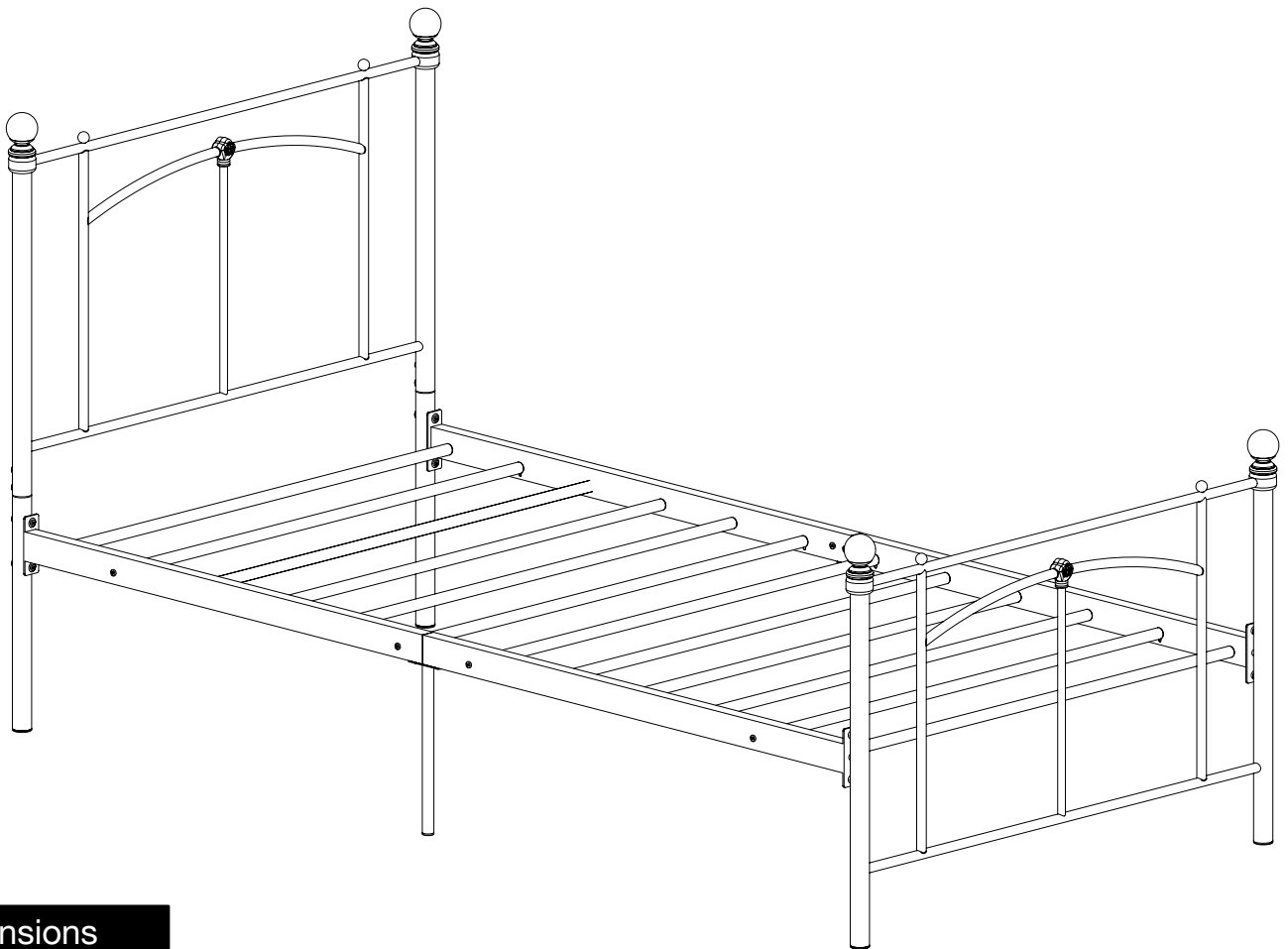


Yani 3' Bed to Go

Assembly Instructions – Please keep for future reference

621/ 6867

612/ 9033



Dimensions

Length - 201cm

Width - 99cm

Height - 105cm

Important – Please read these instructions fully before starting assembly

If you need help or have damaged or missing parts, call the **Customer Helpline: 0345 6400 800**



Safety and Care Advice

Important – Please read these instructions fully before starting assembly

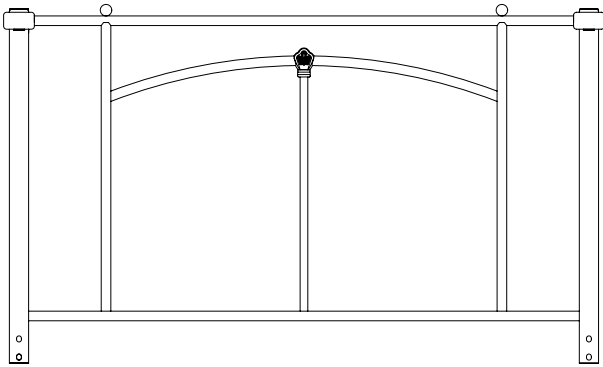
- Check you have all the components and tools listed on pages 2 and 3.
- Remove all fittings from the plastic bags and separate them into their groups.
- Keep children and animals away from the work area, small parts could choke if swallowed.
- Parts of the assembly will be easier with 2 people.
- Make sure you have enough space to layout the parts before starting.
- Assemble the item as close to its final position (in the same room) as possible.
- Dispose of all packaging carefully and responsibly.
- Place the product on flat and steady surface during use.
- Assemble on a soft level surface to avoid damaging the unit or your floor.
- Keep these instructions for further use.
- To ensure an easier assembly, we strongly advise that all fittings are only finger tightened during initial assembly. Only upon completion of the assembly should all fixing points be fully tightened.

Care and maintenance

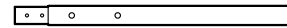
- Only clean using a damp cloth and mild detergent, do not use bleach or abrasive cleaners.
- From time to time check that there are no loose screws on this unit.
- This product should not be discarded with household waste. Take to your local authority waste disposal centre.

Components - Parts

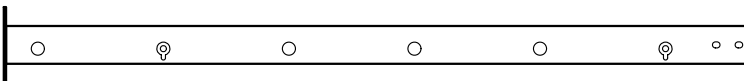
Please check you have all the parts listed below



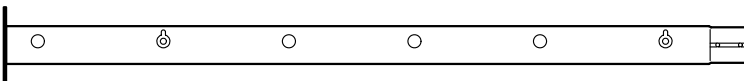
1 Headboard panel (98 x 64cm)



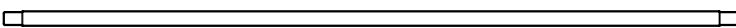
2 Headboard post x 2 (45.5 x Ø3.2cm)



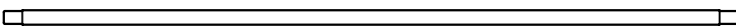
3 Side rail x 2 (98.4 x 10cm)



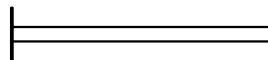
4 Side rail x 2 (98.4 x 10cm)



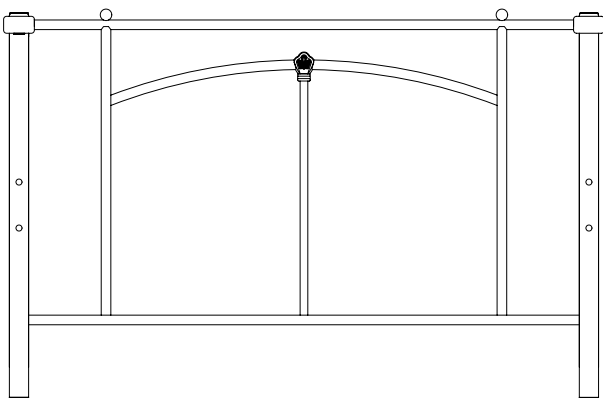
5 Slat (Thread each end) x 4 (97.1 x Ø1.9cm)



6 Slat x 8 (97.1 x Ø1.9cm)



7 Support leg x 2 (29.3x 7cm)



8 Footboard (98 x 68.5cm)



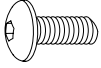

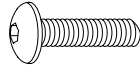
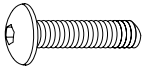

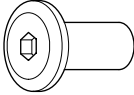
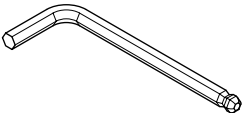
9 Finial x 4 (Ø5.2cm)

Components - Fittings

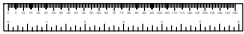
If you have damaged or missing components, call the **Customer Helpline: 0345 6400 800**

Please check you have all the fittings listed below

Note: The quantities below are the correct amount to complete the assembly. In some cases more fittings may be supplied than are required.

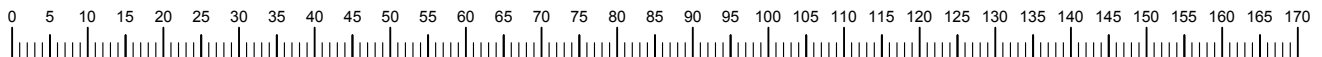
<p>A</p>  <p>13mm Allen screw x 12</p>	<p>B</p>  <p>Plain washer x 12</p>	<p>C</p>  <p>25mm Allen screw x 12</p>
<p>D</p>  <p>27mm Allen screw x 4</p>	<p>E</p>  <p>Rubber washer x 8</p>	<p>F</p>  <p>Nut x 4</p>
<p>G</p>  <p>Allen key x 2</p>		

Tools required



Ruler/tape measure

Ruler - Use this ruler to help correctly identify the screws



Assembly Instructions

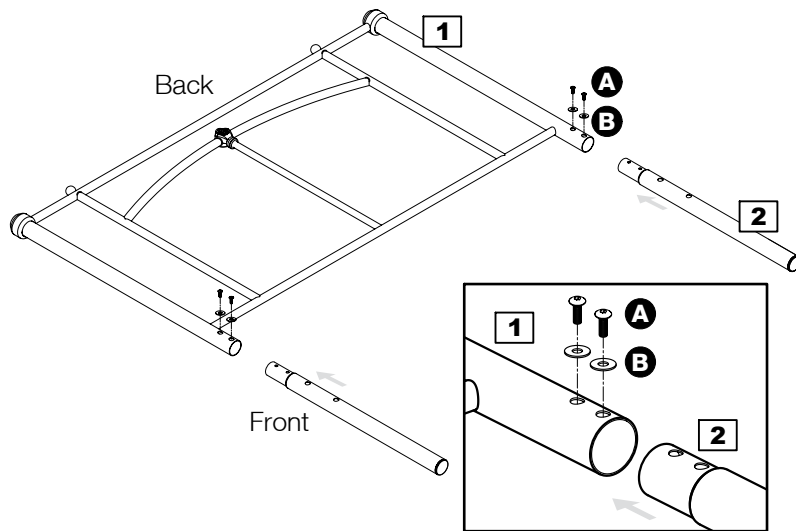
Step 1

Assembling posts

Place headboard panel **1** face down onto a clean flat surface.

Note: Fixing holes for posts should be facing up.

Secure headboard posts **2** to headboard panel **1** using fixings **A** and **B**.

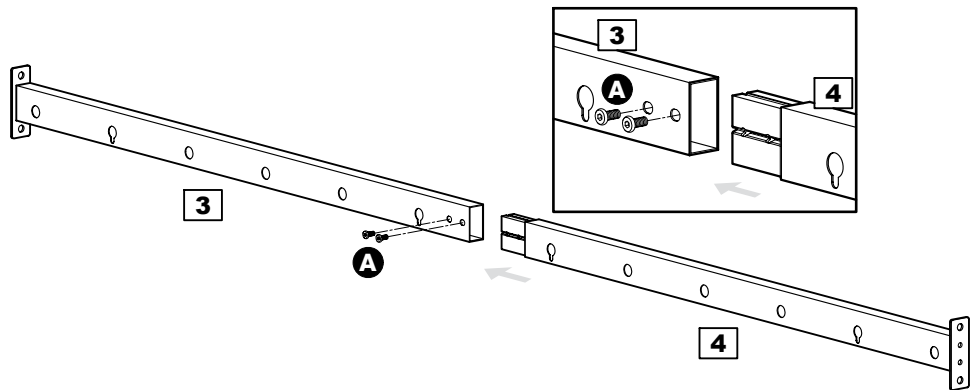


Step 2

Assembling side rails

Assemble side rails **3** and **4** together using screws **A**.

Repeat for the other side rail.

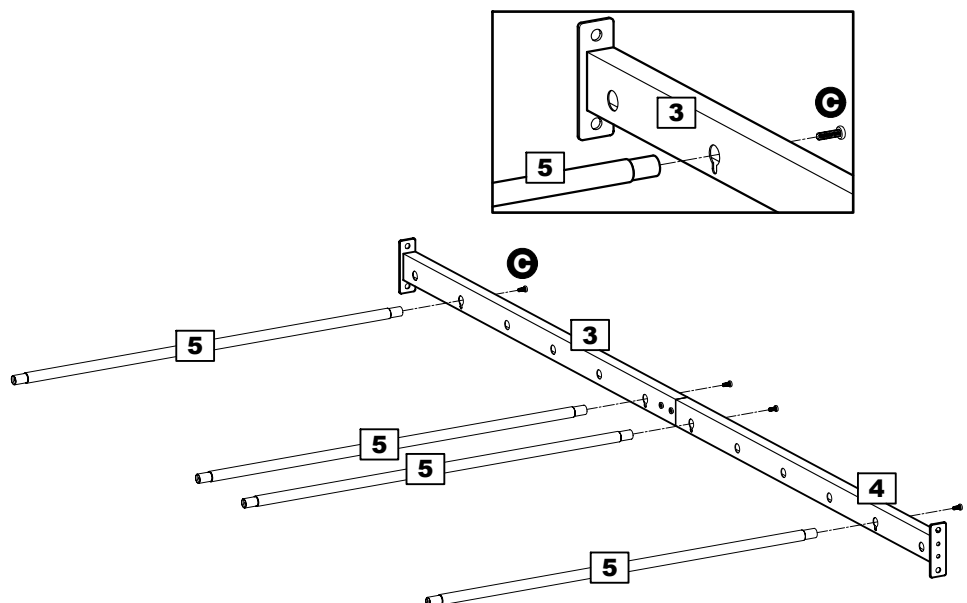


Step 3

Assembling slats

Assemble slats **5** to one side rail only, using screws **C**.

Note: Slats **5** have a thread in each end.



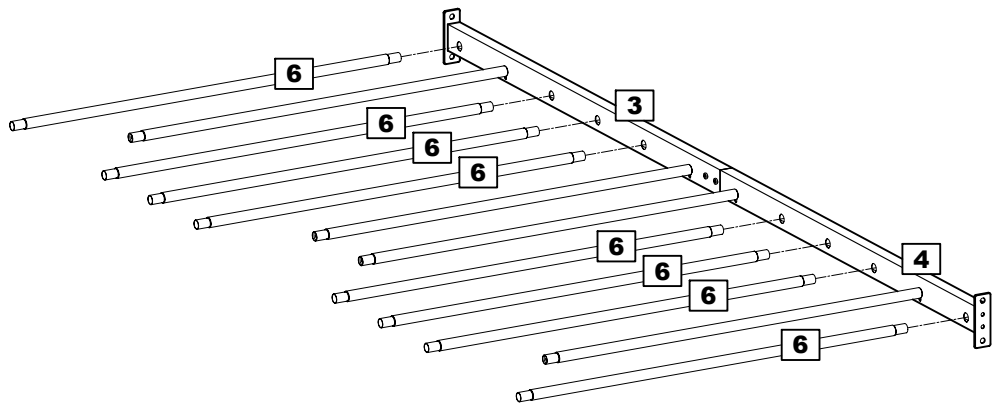
Assembly Instructions

Step 4

Assembling slats

Locate slats **6** into the remaining holes in the side rail.

Note: Slats **6** have no threads in the end and do not require fixing.

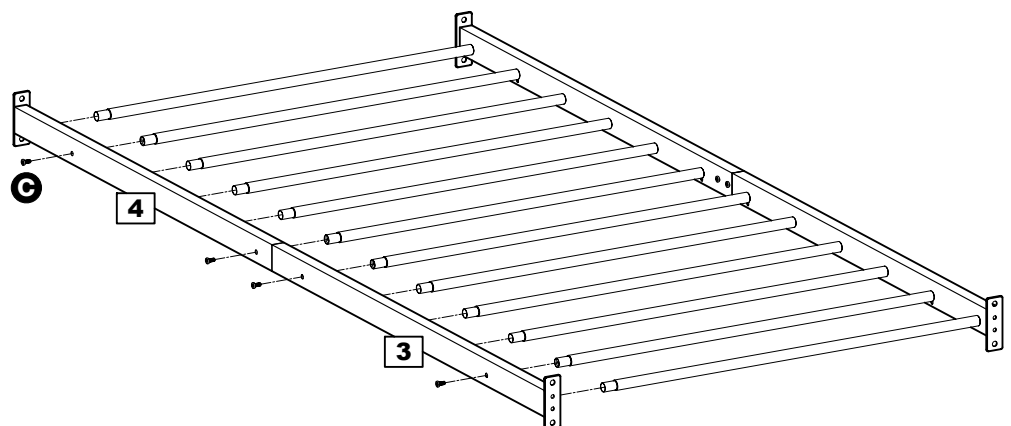


Step 5

Assembling slats

With help, locate the remaining side rail onto the ends of the slats.

Secure using screws **C** as shown.



Assembly Instructions

Step 6

Assembling side rails

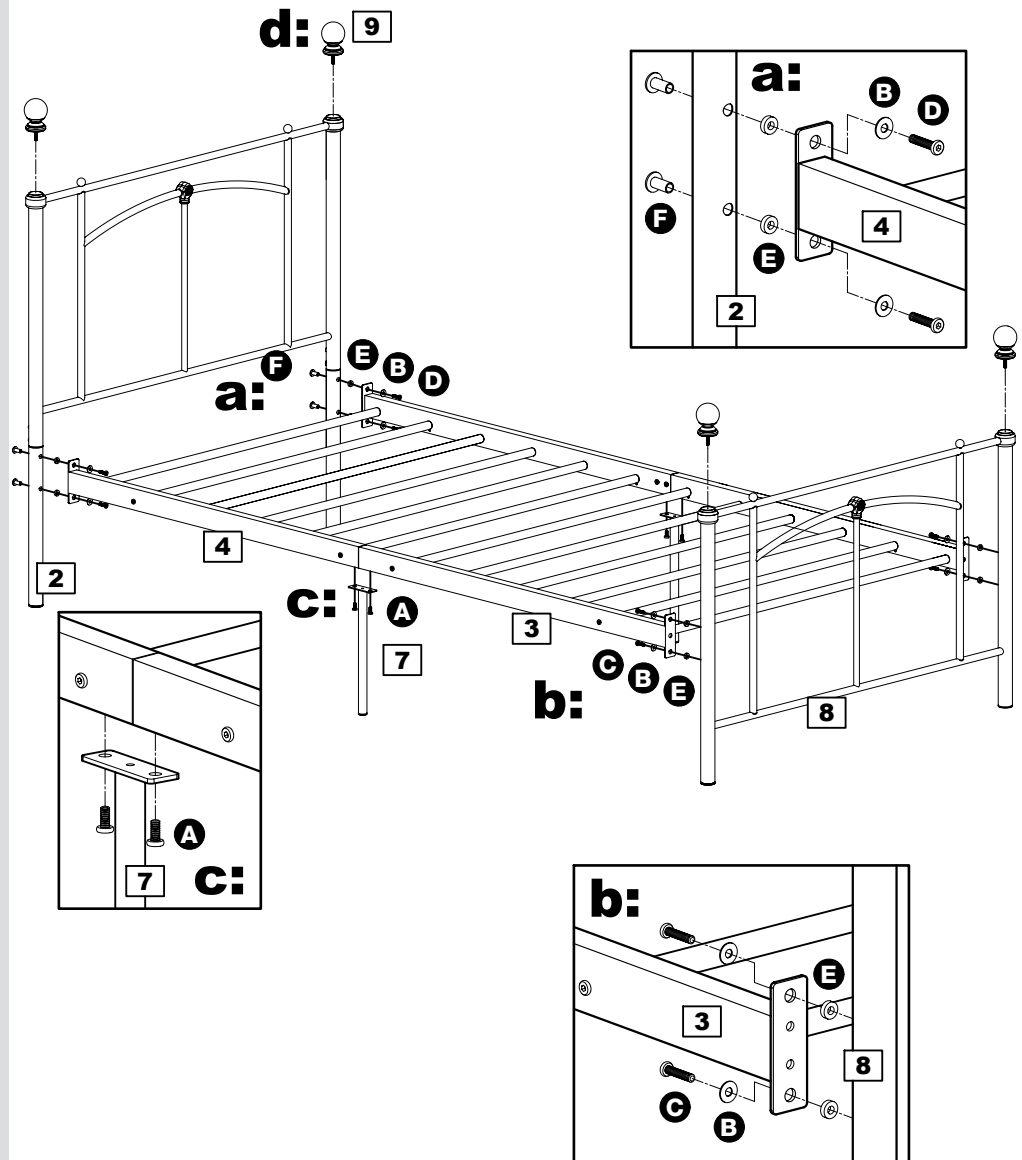
a: With help, assemble side rails to the headboard using fixings **B**, **D**, **E** and **F**.

b: Assemble footboard **8** to the side rails using fixings **B**, **C** and **E**.

c: Assemble support leg **7** to the underside of the side rail using screws **A**.

Repeat on both sides.

d: Screw finials **9** into the headboard and footboard corner posts.



Assembly is complete.

If you need help or have damaged or missing parts, call the **Customer Helpline: 0345 6400 800**
Home Retail Group, 489-499 Avebury Boulevard, Saxon Gate West, Central Milton Keynes, MK9 2NW