

# New Pagnell Bedside Chest

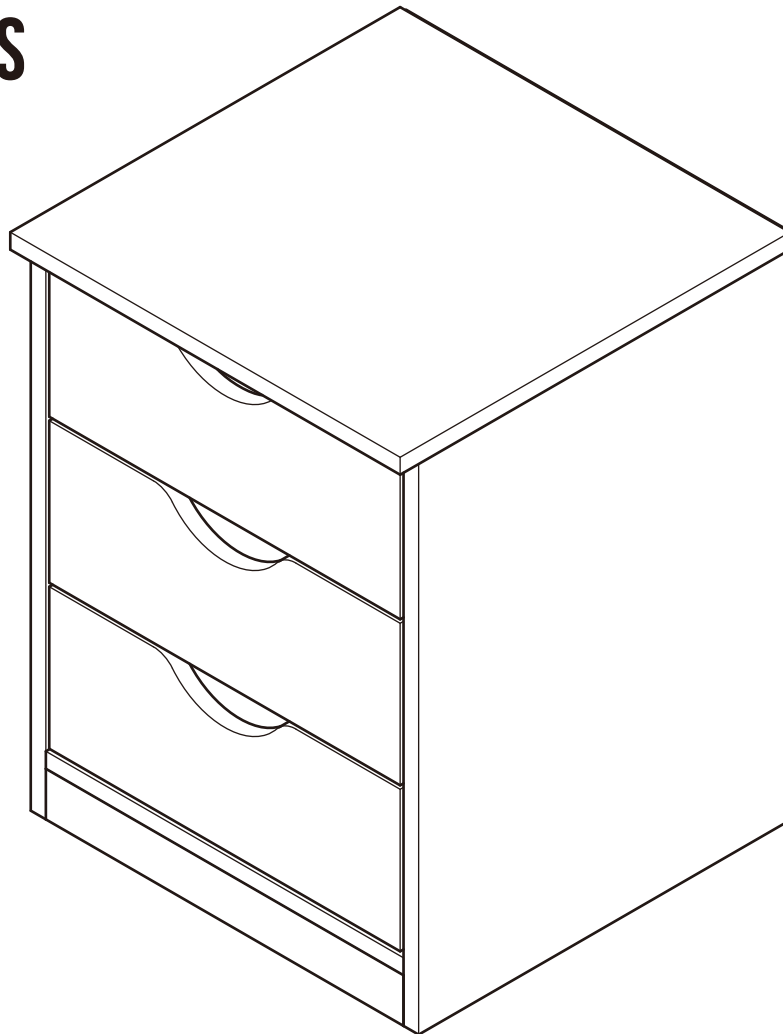
Assembly Instructions - Please keep for future reference

608/8600

612/7475

621/4175

**H O**  
**M E**  
**BY ARGOS**



## Dimensions

Width - 40cm

Depth - 40.5cm

Height - 52.5cm

**Important** - Please read these instructions fully before starting assembly

If you need help or have damaged or missing parts, call the **Customer Helpline:**  
**Argos = 0345 6400800**



# Safety and Care Advice

**Important** – Please read these instructions fully before starting assembly

- Check you have all the components and tools listed on the following pages.
- Remove all fittings from the plastic bags and separate them into their groups.
- Keep children and animals away from the work area, small parts could choke if swallowed.
- Make sure you have enough space to layout the parts before starting.
- Do not use this item if any components are missing or damaged.
- During assembly do not stand or put weight on the product, this could cause damage.
- Assemble the item as close to its final position (in the same room) as possible.
- Assemble on a soft level surface to avoid damaging the unit or your floor.
- During assembly children should be kept away from the product due to possible risk of injury.
- Parts of the assembly will be easier with 2 people.



- To reduce the likelihood of damaging your product please ensure that your power drill is set on a low torque setting.

**Glue safety** - Take care when using glue, please follow the advice below

**Skin contact:** Remove contamination by washing with soap and water. This procedure should also be followed prior to eating and drinking.

**Eye contact:** Rinse immediately with clean water for 15 minutes and seek medical advice.

**If swallowed:** Seek medical advice immediately.

## Care and maintenance

• Only clean using a damp cloth and mild detergent, do not use bleach or abrasive cleaners.

• From time to time check that there are no loose screws on this unit.

• This product should not be discarded with household waste. Take to your local authority waste disposal centre.

## Handy Hints

• Assemble all parts and bolts loosely during assembly, only once the product is complete should you fully tighten the bolts

• Regularly check and ensure that all bolts and fittings are tightend properly.

## IMPORTANT: RETAIN THESE INSTRUCTIONS FOR FUTURE REFERENCE

• Argos Ltd. MK9 2 NW.

• This product is intended for children in the age 6 or above.  
• Maximum load: 50 kgs (top of chest).

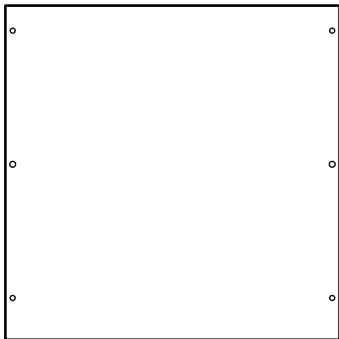
• Assembly of this product must be carried out by a competent adult.

**Note:** if required the next page can be cut out and used as reference throughout the assembly. Keep this page with these instructions for future reference.

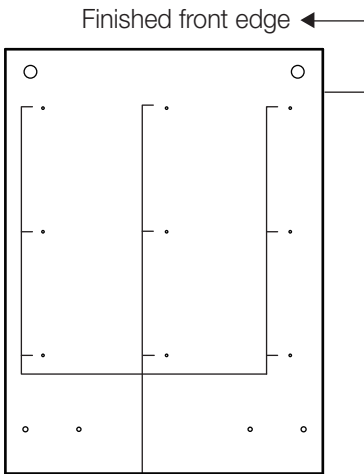
# Components - Panels

If you have damaged or missing components, call the Customer Helpline: Argos = 0345 6400800

Please check you have all the panels listed below

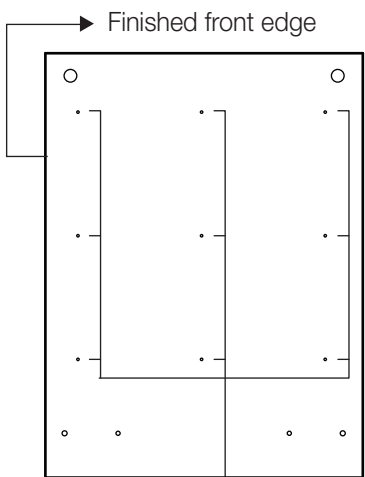


**1** Top panel (40 x 40cm)



Pilot holes for guidance only

**2** Right side panel (38 x 50.8cm)



Pilot holes for guidance only

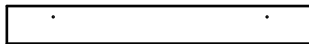
**3** Left side panel (38 x 50.8cm)



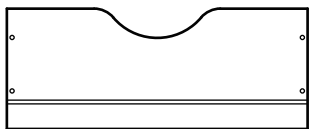
**4** Bottom panel (36.7 x 11cm)



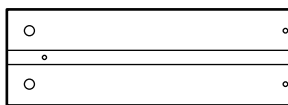
**5** Bottom support (36.7 x 11cm)



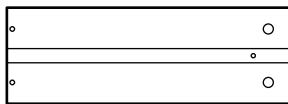
**6** Front panel (36.7 x 4.5cm)



**7** Drawer front panel x 3 (36 x 14.4cm)



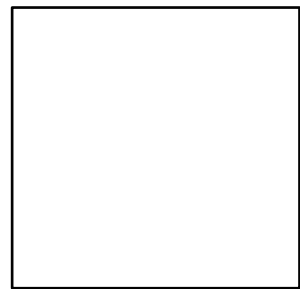
**8** Drawer right side panel x 3 (34 x 11.5cm)



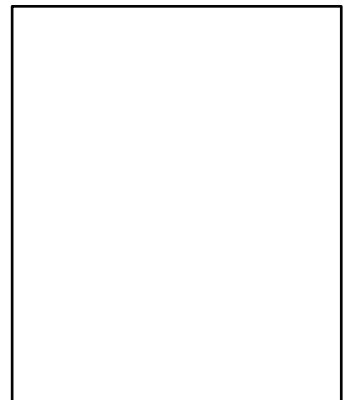
**9** Drawer left side panel x 3 (34 x 11.5cm)



**10** Drawer back panel x 3 (33.5 x 11.5cm)



**11** Drawer bottom panel x 3 (34.4 x 33.6cm)






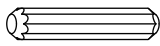



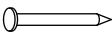

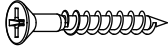

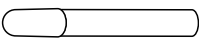
**12** Back panel (39.4 x 47.4cm)



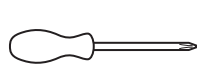
# Components - Fittings

Please check you have all the fittings listed below

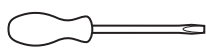
**Note:** The quantities below are the correct amount to complete the assembly. In some cases more fittings may be supplied than are required.

<b>A</b>  Runner x 6	<b>B</b>  (This screw is included in the bag of runner) 12mm Screw x 18	<b>C</b>  39mm Locking pin x 20
<b>D</b>  30mm Dowel x 6	<b>E</b>  Plastic support x 2	<b>F</b>  14mm Screw x 4
<b>G</b>  15mm Locking nut x 8	<b>H</b>  Nail x 10	<b>I</b>  12mm Locking nut x 12
<b>J</b>  30mm Screw x 12	<b>K</b>  12mm Screw x 6	<b>L</b>  Glue x 1

## Tools required



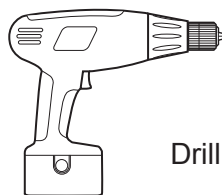
Phillips screwdriver  
(medium & large)



Flatblade screwdriver  
(medium)



7mm Suitable drill bit  
(for use with wall plug)



Drill



Small  
hammer

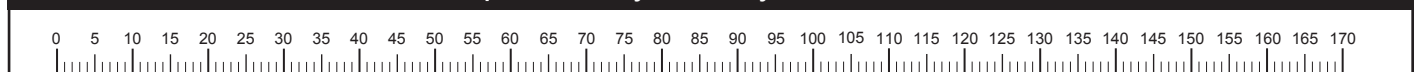


Ruler/tape  
measure



Eye protection  
(when using a  
hammer or glue)

## Ruler - Use this ruler to help correctly identify the screws



The screws length is measured from the head to the point (30mm screw shown).



# Assembly Instructions

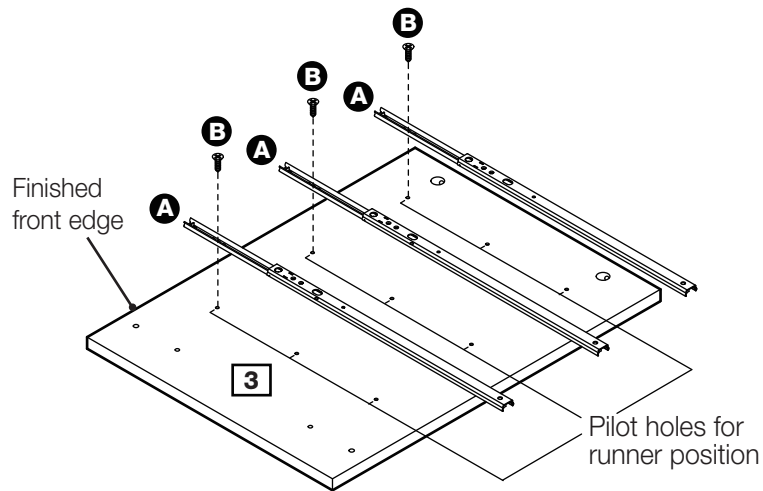
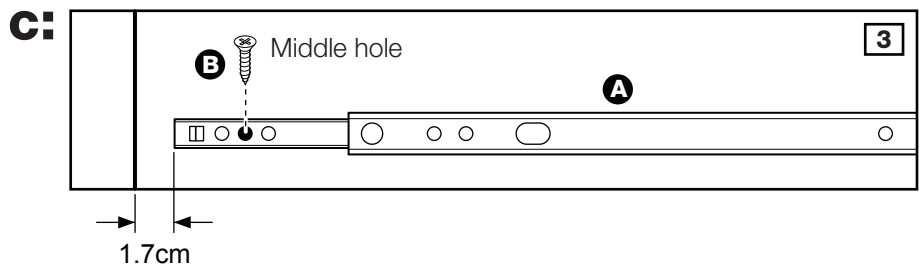
## Step 1 - continued

**c:** Position Runners **A** in front edge of the Left side panel **3**.

Slide top of the Runners **A** back.

Use Screws **B** to fix the Runners **A** on the Left side panel **3**.

**Note:** The front part of the runner should be approximately 1.7cm from the front edge of the panel.

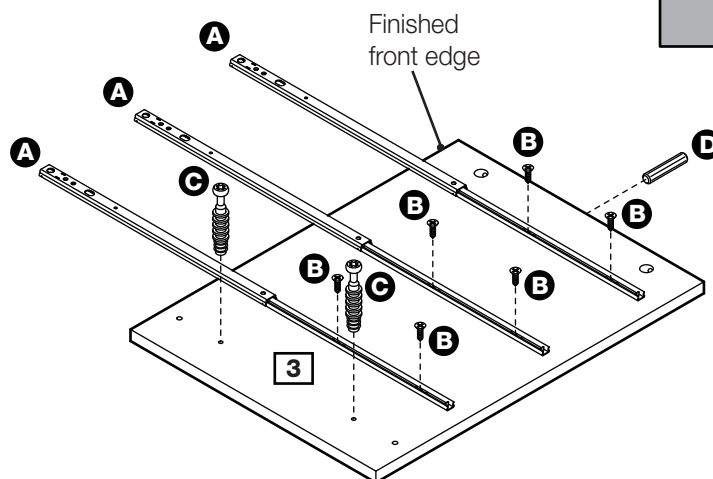
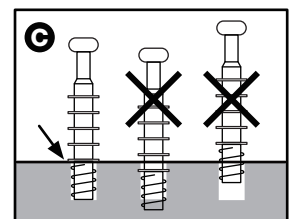
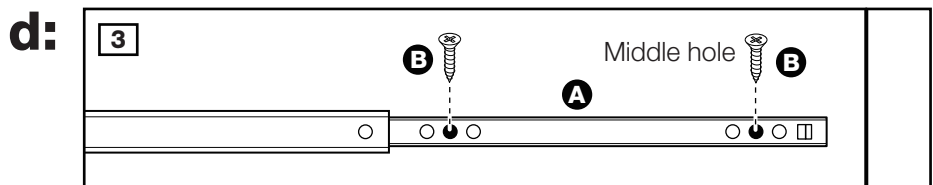


**d:** Slide top of Runners **A** forward and fix as shown using Screws **B**.

Insert Dowels **D** into the Left side panel **3**.

Screw Locking pins **C** into the Left side panel **3**.

**Note:** Insert locking pins as far as shown. **Do not over tighten.**

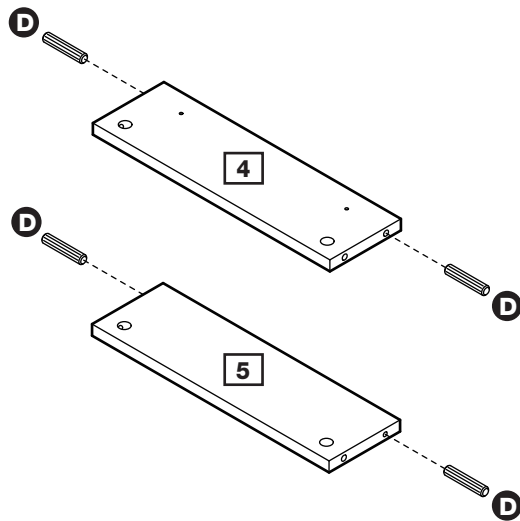


# Assembly Instructions

## Step 2

### Fitting dowels

Insert Dowels **D** into the Bottom panel **4** and Bottom support **5**.

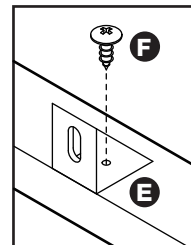
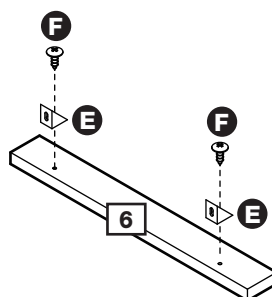


## Step 3

### Attaching plastic supports

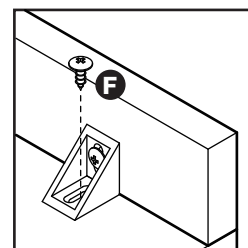
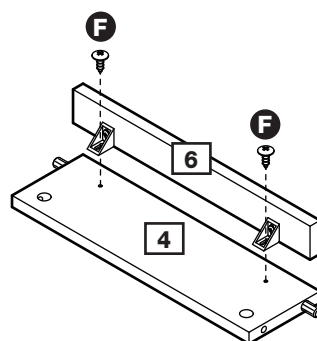
**a:** Use Screws **F** to fix Plastic supports **E** onto the Front panel **6**.

**a:**



**b:** Use Screws **F** to fix Front panel **6** onto the Bottom panel **4**.

**b:**



# Assembly Instructions

## Step 4

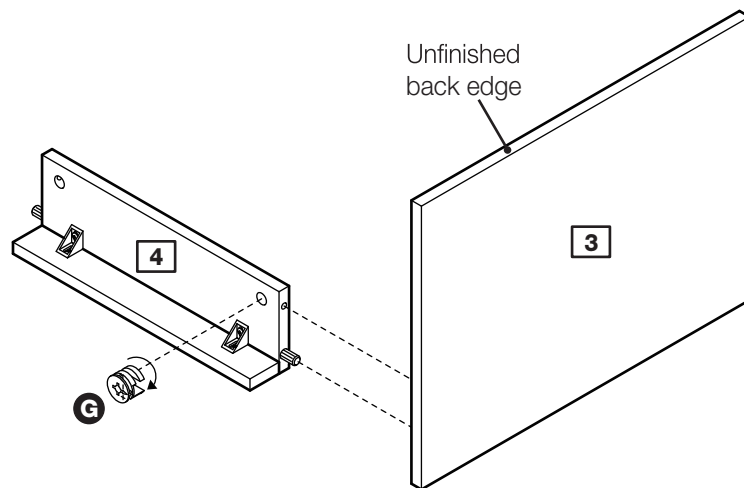
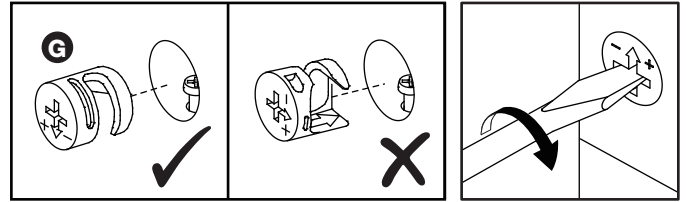
### Attaching bottom panel and bottom support

**a:** Position Bottom panel **4** onto the Left side panel **3**.

Insert Locking nuts **G** into the Bottom panel **4**.

Use a screwdriver to turn Locking nuts **G** clockwise to lock.

**a:**

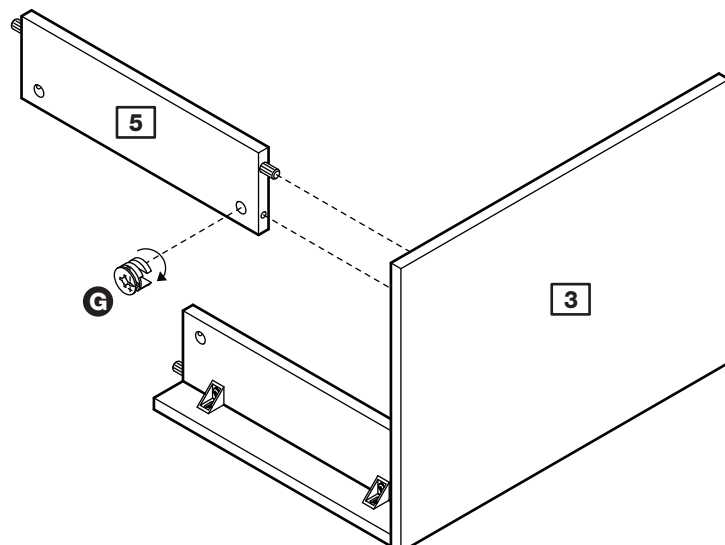
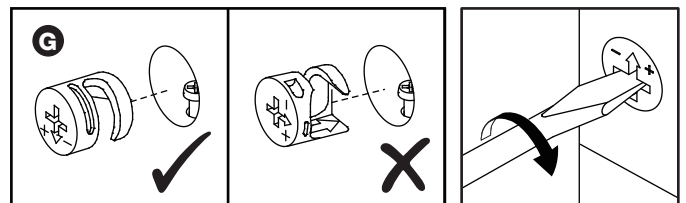


**b:** Position Bottom support **5** onto the Left side panel **3**.

Insert Locking nuts **G** into the Bottom support **5**.

Use a screwdriver to turn Locking nuts **G** clockwise to lock.

**b:**





# Assembly Instructions

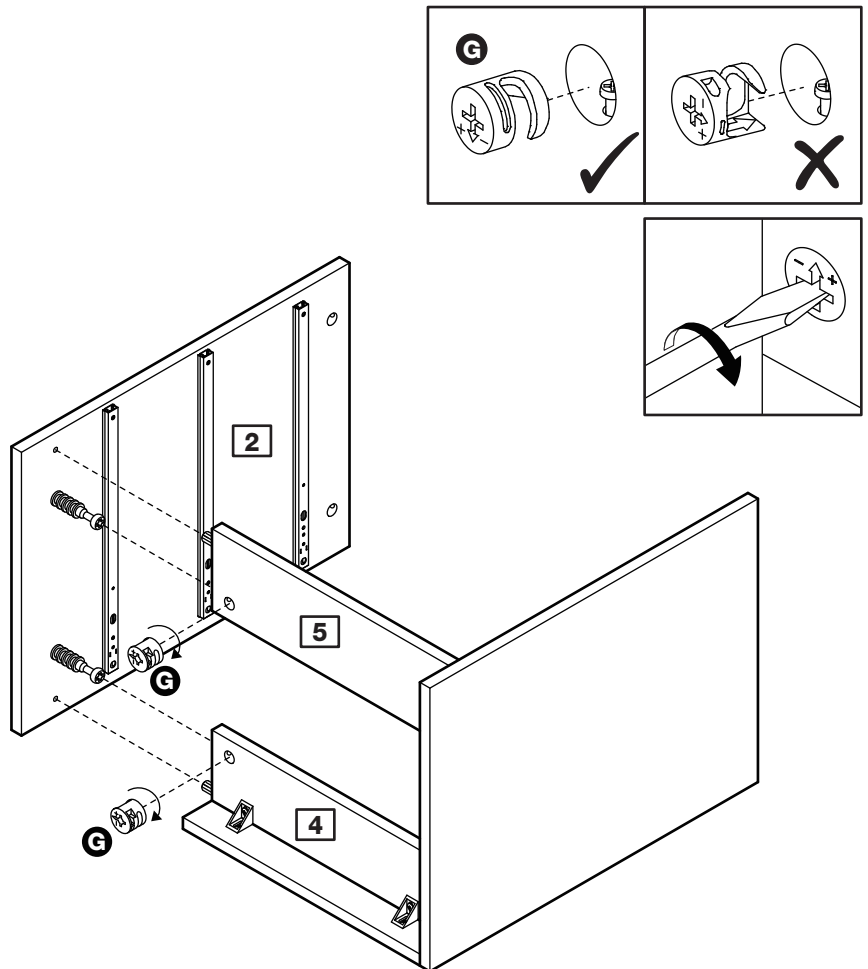
## Step 5

### Attaching right side panel

Position Right side panel **2** onto the unit.

Insert 2 Locking nuts **G** into the Bottom panel **4** and Bottom support **5**.

Use a screwdriver to turn Locking nuts **G** clockwise to lock.



## Step 6

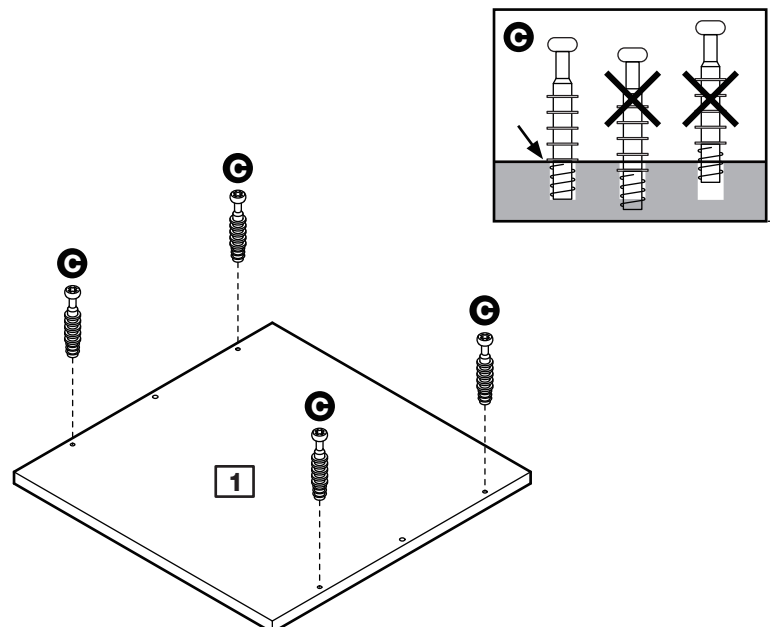
### Attaching top panel

**a:** Screw Locking pins **G** into the Top panel **1**.

**Note:** Insert locking pins as far as shown.

**Do not over tighten.**

**a:**



Continued on next page.

# Assembly Instructions

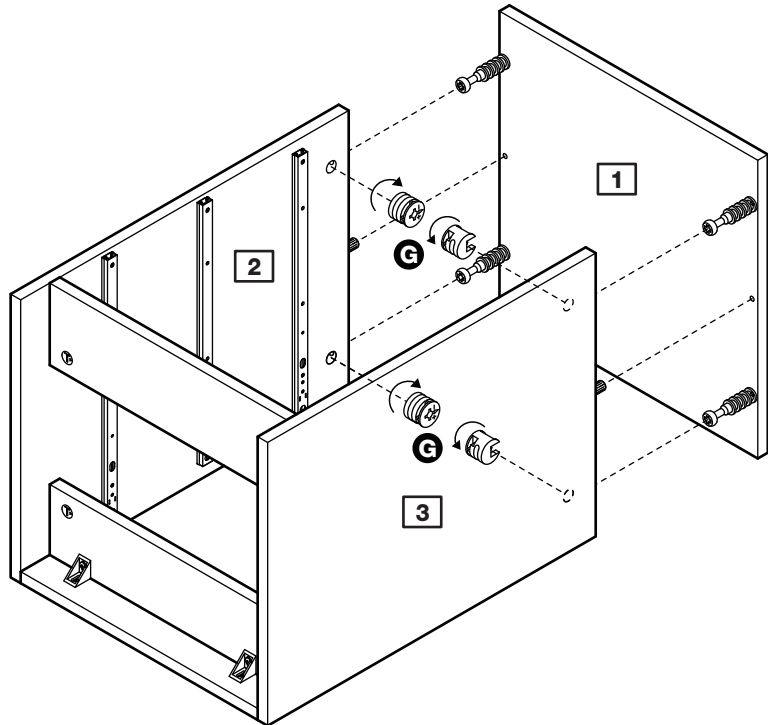
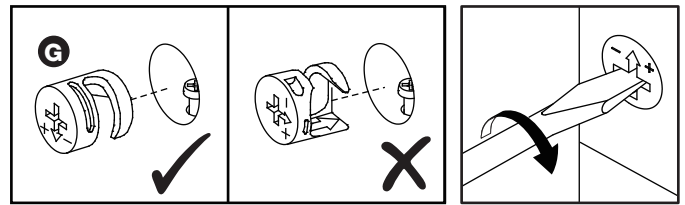
## Step 6 - continued

**b:** Carefully locate the Top panel **1** onto the unit.

Insert 4 Locking nuts **G** into the Right side panel **2** and Left side panel **3**.

Use a screwdriver to turn Locking nuts **G** clockwise to lock.

**b:**



## Step 7

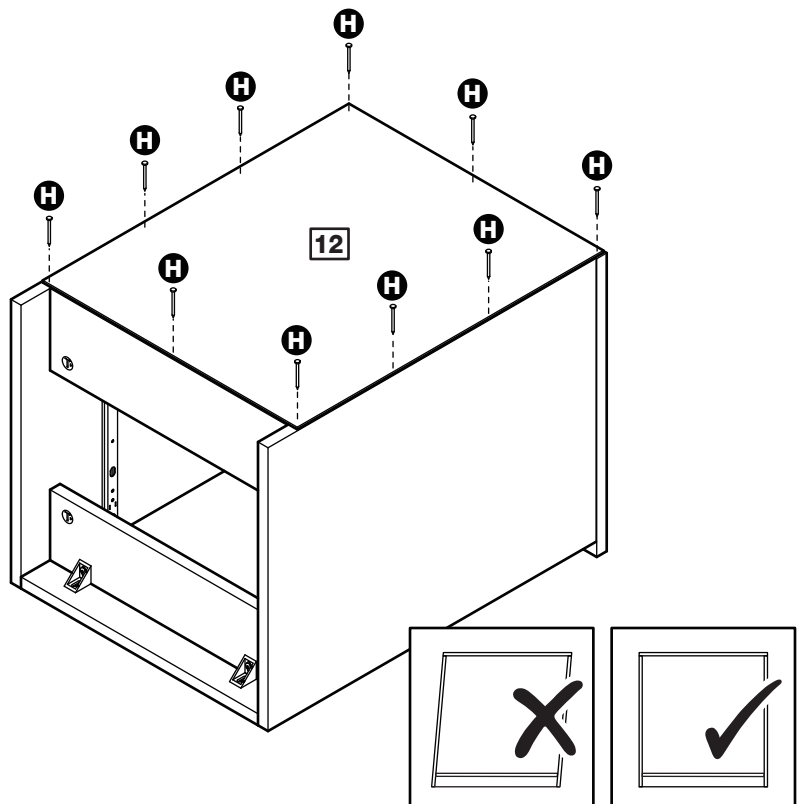
### Fixing back panel

Attach Back panel **12** onto the unit using Nails **H**.



**Important:**

The unit **MUST** be 'square' when back is attached.



# Assembly Instructions

## Step 8

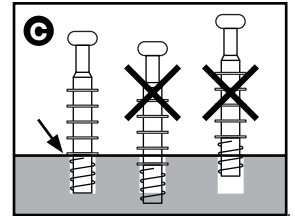
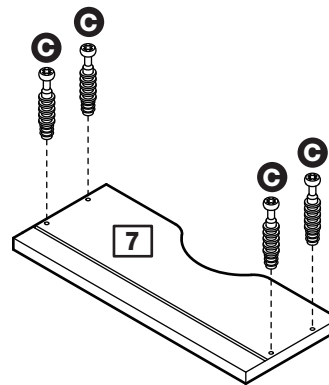
### Drawers assembly

**a:** Screw Locking pins **C** into 4 holes shown on back of the Drawer front panel **7**.

**Note:** Insert Locking pins as far as shown.

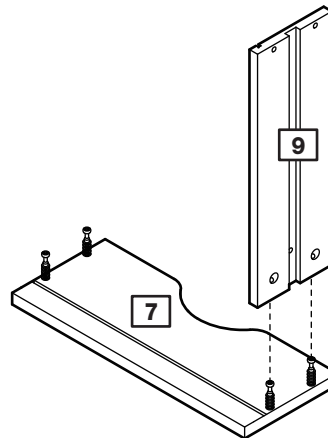
**Do not over tighten.**

**a:**



**b:** Fix Drawer left side panel **9** onto the Drawer front panel **7**.

**b:**

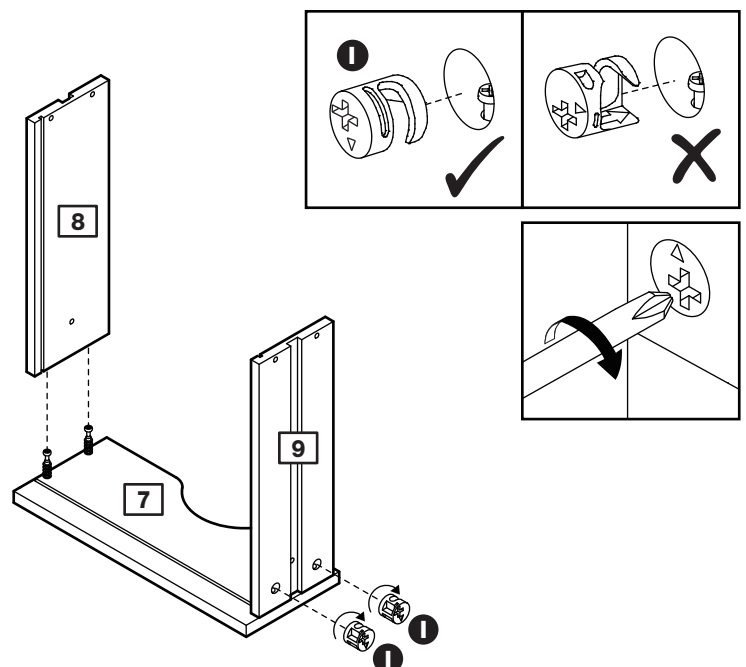


**c:** Fix Drawer right side panel **8** onto the Drawer front panel **7**.

Insert 2 Locking nuts **I** into the holes (they will only insert one way).

Use a screwdriver to turn Locking nuts **I** clockwise to lock.

**c:**



Continued on next page.

# Assembly Instructions

## Step 8 - continued

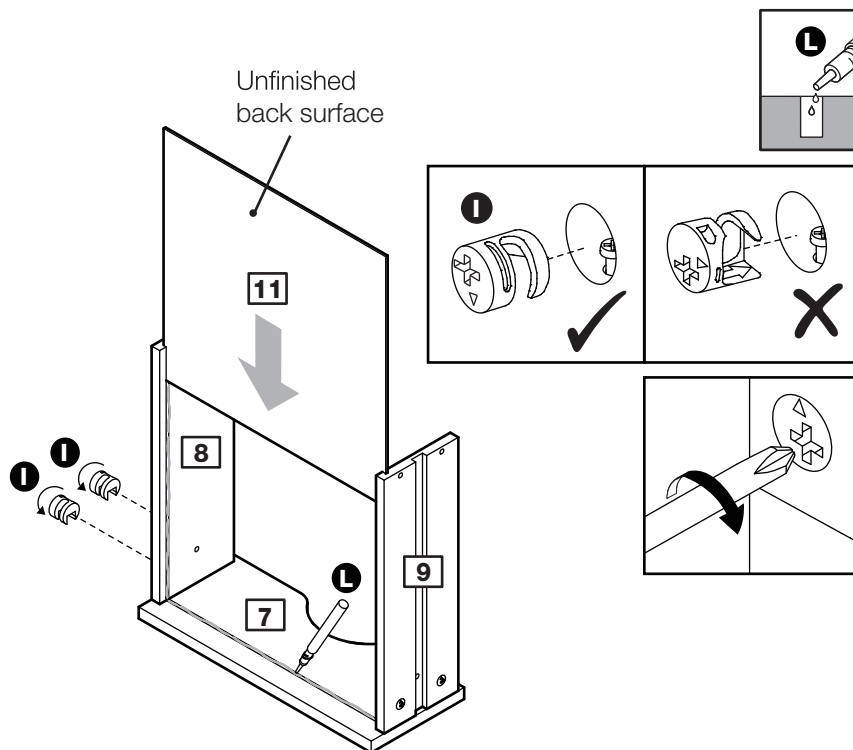
**d:** Insert 2 Locking nuts **I** into the holes (they will only insert one way).

Use a screwdriver to turn Locking nuts **I** clockwise to lock.

Place a small amount of Glue **L** into the grooves.

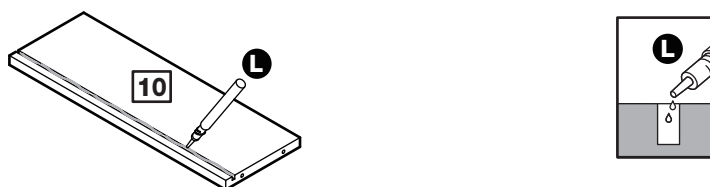
Carefully slide the Drawer bottom panel **11** into the grooves.

**d:**



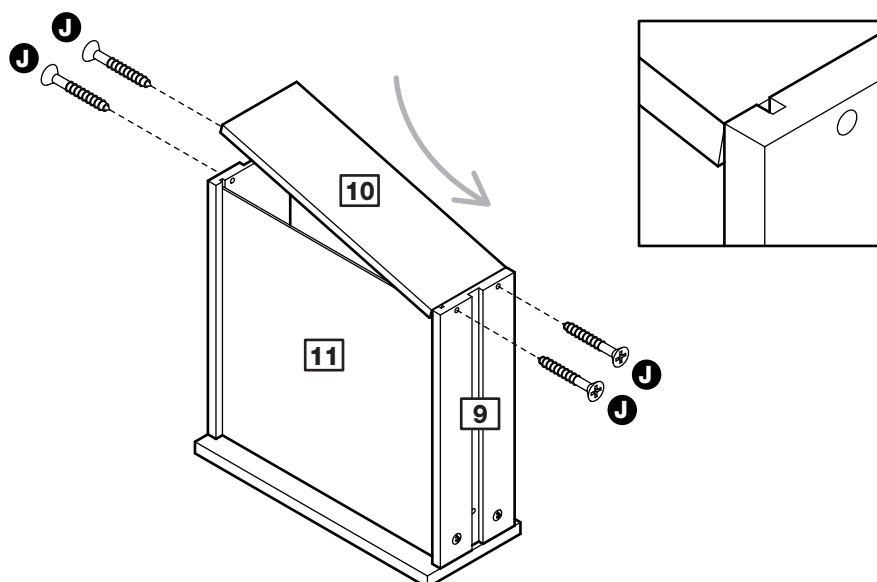
**e:** Place a small amount of Glue **L** into the groove on the Drawer back panel **10**.

**e:**



**f:** Position the Drawer back panel **10** onto the unit using Screws **J**.

**f:**



Repeat with remaining 2 drawers.

# Assembly Instructions

## Step 9

### Inserting drawers

With help, carefully stand deaver chest upright.

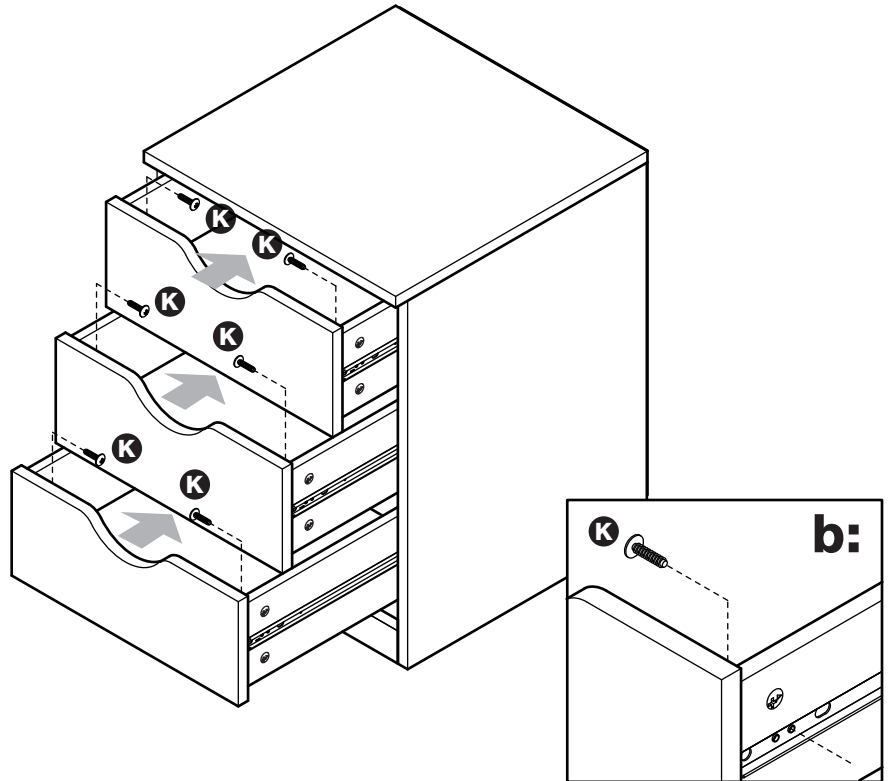


**Warning:**  
The drawer chest is heavy.  
**Lift with care.**

**a:** Slide the drawers fully onto the runners so the runners butt up against the back of the drawer front.

**b:** Fix through drawer sides into the runners using Screws **K**.

**a:**



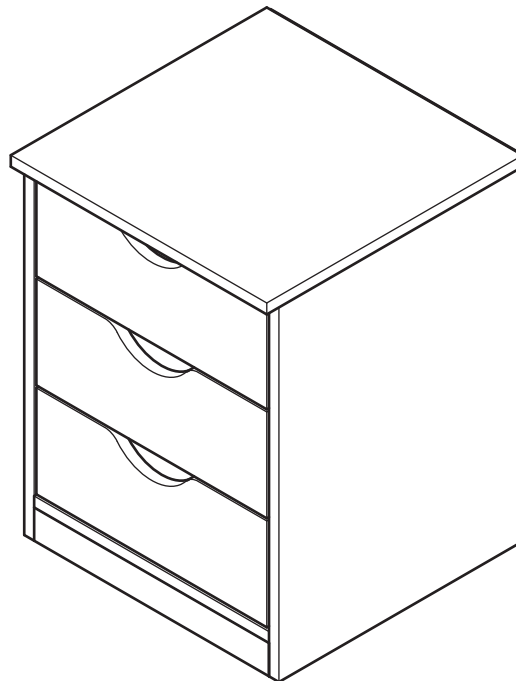
## Step 10

### Finishing the unit

With help, place the unit in the intended position.

**Note:** Before use allow glue to dry for 24 hours and make sure the unit is secure.

**Assembly is complete.**



If you need help or have damaged or missing parts, call the **Customer Helpline:**  
**Argos = 0345 6400800**