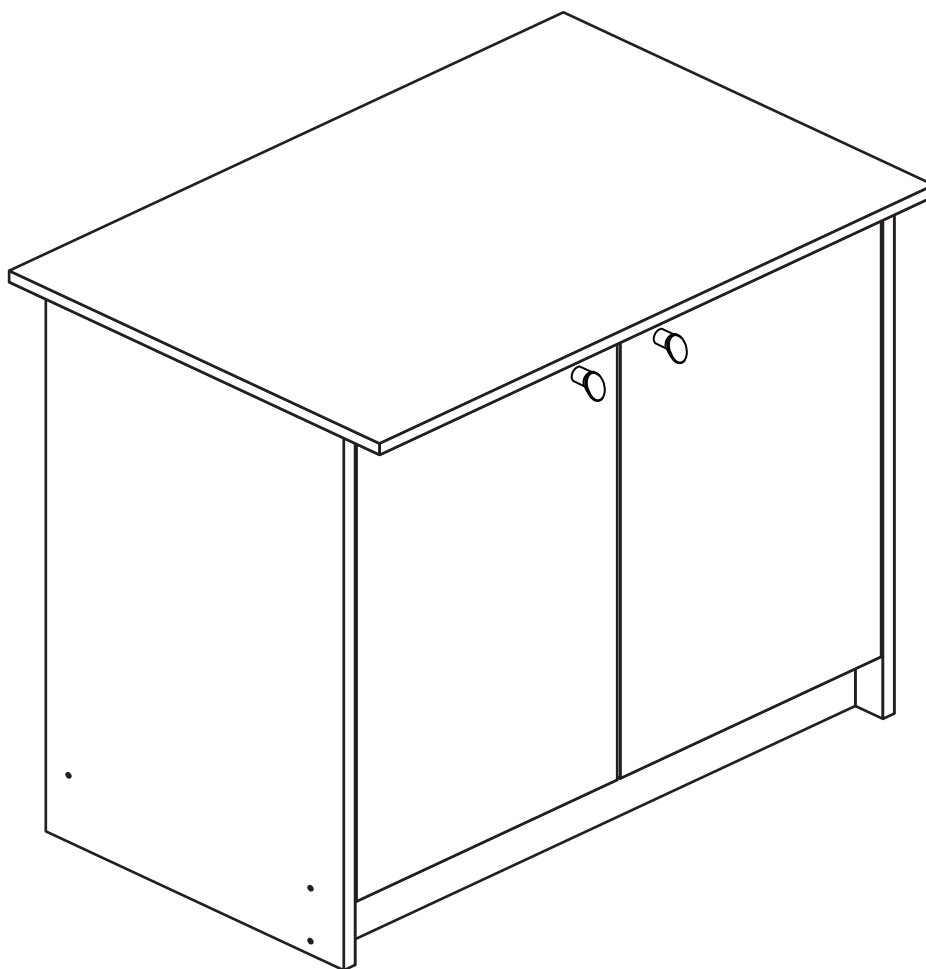


# Malibu - Double Cupboard

Assembly Instructions - Please keep for future reference

621/3372

621/3389



## Dimensions

Width - 73.5cm

Depth - 49.5cm

Height - 72cm



**MADE IN  
BRITAIN**

**Important** - Please read these instructions fully before starting assembly

If you need help or have damaged or missing parts, call the **Customer Helpline: 08456 400800**



# Safety and Care Advice

**Important - Please read these instructions fully before starting assembly**

- **Warning:** This unit weighs approximately 21kgs. Please lift with care.

- Check you have all the components and tools listed on pages 2 and 3.

- Remove all fittings from the plastic bags and separate them into their groups.

- Keep children and animals away from the work area, small parts could choke if swallowed.

- Parts of the assembly will be easier with 2 people.

- Make sure you have enough space to layout the parts before starting.

- Do not stand or put weight on the product, this could cause damage.

- Assemble the item as close to its final position (in the same room) as possible.

- Assemble on a soft level surface to avoid damaging the unit or your floor (use opened out unit carton).



- We do not recommend the use of power drill/drivers **for inserting screws**, as this could damage the unit. Only use hand screwdrivers.

- **Safety note:** If there is any chance of this unit being pulled over by children etc. it is recommended that the unit is secured to a wall using suitable fixings (not supplied).

- Dispose of all packaging carefully and responsibly.

## Care and maintenance

- Only clean using a damp cloth and mild detergent, do not use bleach or abrasive cleaners.

- From time to time check that there are no loose screws on this unit.

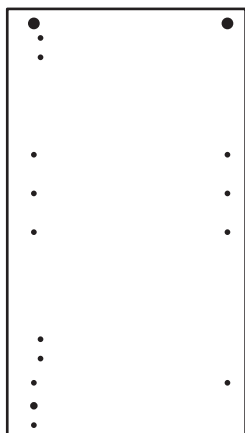
- This product should not be discarded with household waste. Take to your local authority waste disposal centre.

**Note:** If required the next page can be cut out and used as reference throughout the assembly. Keep this page with these instructions for future reference.

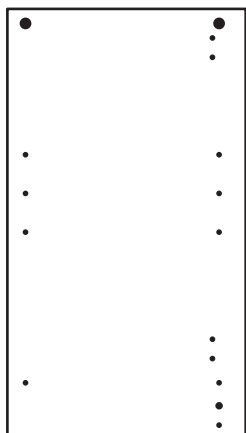
# Components - Panels

If you have damaged or missing components, call the **Customer Helpline: 08456 400800** quoting the reference numbers below

Please check you have all the panels listed below



**1** Left Side (D0862A)  
(706 x 394mm)



**2** Right Side (D0863A)  
(706 x 394mm)



**3** Top (D0869A)  
(733 x 490mm)



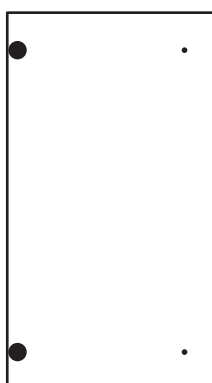
**4** Base (D0870A)  
(698 x 378mm)



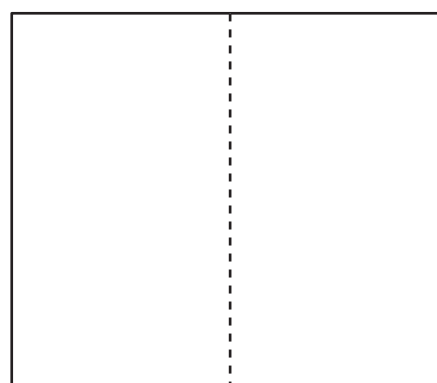
**5** Shelf (D0871A)  
(698 x 373mm)



**6** Plinth (D0879A)  
(698 x 80mm)



**7** Door (D0867A)  
(623 x 345mm) x 2



**8** Back (X806)  
(722 x 622mm)


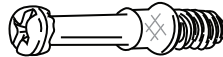

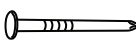





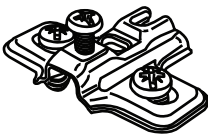



# Components - Fittings

If you have damaged or missing components, call the **Customer Helpline: 08456 400800** quoting the reference numbers below

Please check you have all the fittings listed below

**Note:** The quantities below are the correct amount to complete the assembly. In some cases more fittings may be supplied than are required.

<p><b>A</b> </p> <p>Wooden dowel (F22) x 2</p>	<p><b>B</b> </p> <p>Metal dowel (F901) x 4</p>	<p><b>C</b> </p> <p>Handle (F631) x 2</p>
<p><b>D</b> </p> <p>Nail (F51) x 16</p>	<p><b>E</b> </p> <p>Large locking nut (F900) x 4</p>	<p><b>F</b> </p> <p>Shelf stud (F110) x 4</p>
<p><b>G</b> </p> <p>40mm Screw (F910) x 6</p>	<p><b>H</b> </p> <p>25mm Screw (F50) x 2</p>	<p><b>I</b> </p> <p>13mm Screw (F63) x 8</p>
<p><b>J</b> </p> <p>Hinge plate (F523) x 4</p>	<p><b>K</b> </p> <p>Hinge (F522) x 4</p>	

## Tools required



Rule



Cross-head screwdriver



Scissors



Hammer

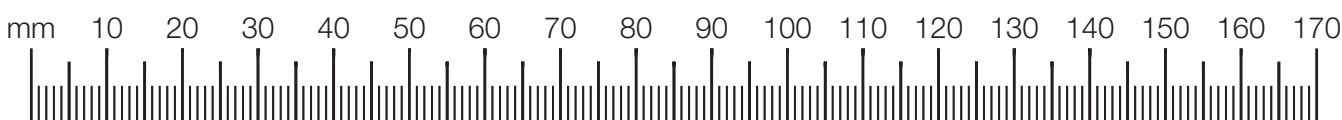


Eye protection  
(when using a hammer or drill)



Electric drill  
(only use when drilling into walls)

Ruler - Use this ruler to help correctly identify the screws





# Assembly Instructions

If you have damaged or missing components, call the  
**Customer Helpline: 08456 400800** quoting the reference  
numbers below

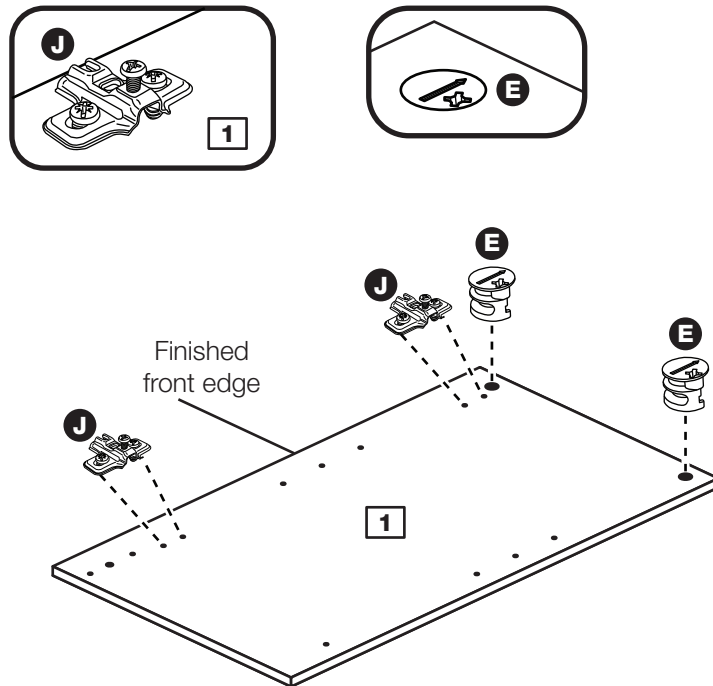
## Step 1

### Prepare the left side

Fit 2 hinge plates **J** onto the left side **1**, making sure that the slot is facing towards the finished front edge.

Insert 2 large locking nuts **E** into the left side **1** as shown.

**Note:** The arrow on the locking nut **must** point towards the hole in the edge of the panel.



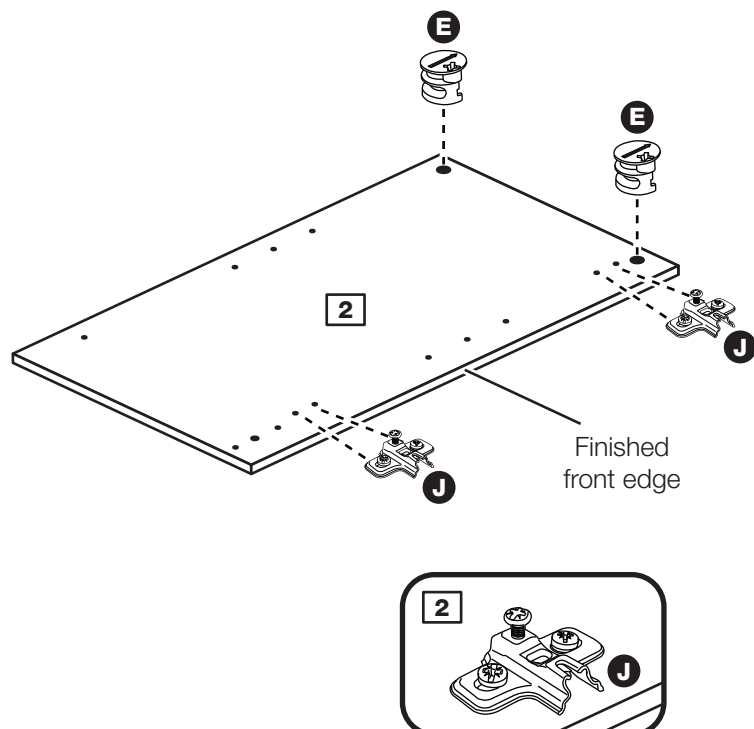
## Step 2

### Prepare the right side

Fit 2 hinge plates **J** onto the right side **2**, making sure that the slot is facing towards the finished front edge.

Insert 2 large locking nuts **E** into the right side **2** as shown.

**Note:** The arrow on the locking nut **must** point towards the hole in the edge of the panel.

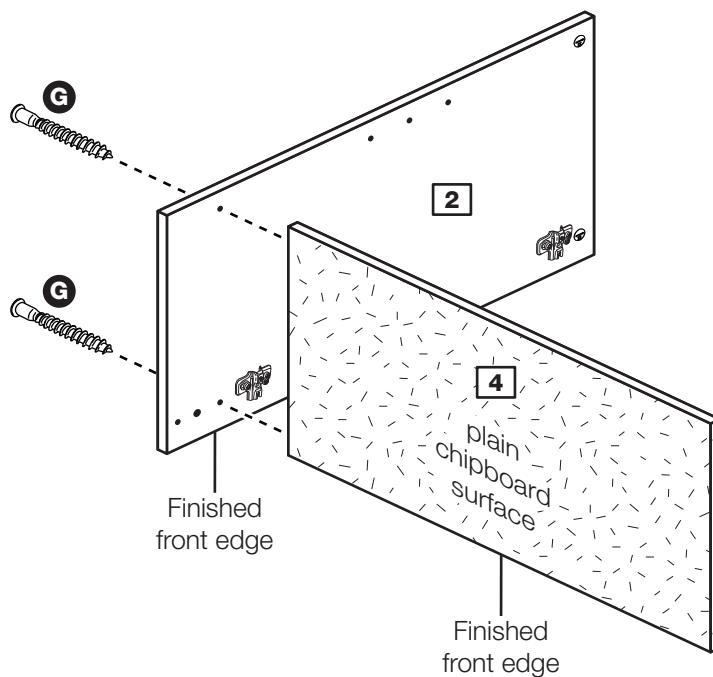


# Assembly Instructions

## Step 3

### Join the right side and base

Position the base **4** against the right side **2** as shown and secure with 2 screws **G**.

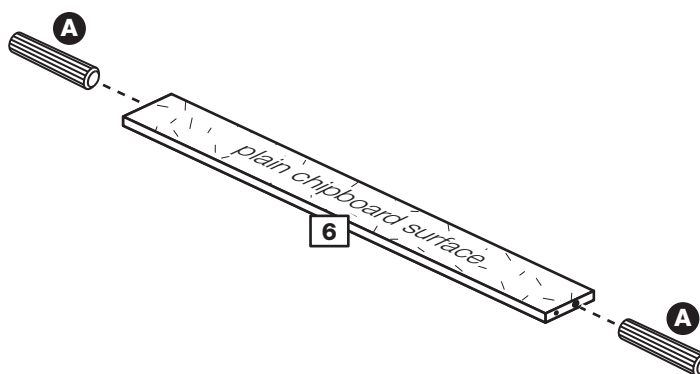


## Step 4

### Prepare the plinth

Tap 2 wooden dowels **A** into the plinth **6**.

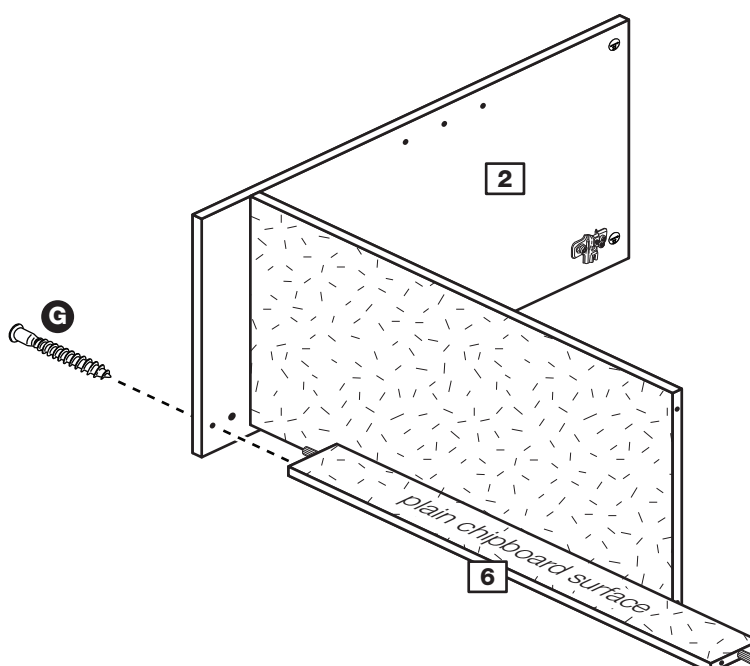
**Note:** Wooden dowels **must not** stick out from the edge by more than 10mm or they may damage other panels.



## Step 5

### Fit the plinth

Push the plinth **6** onto the right side **2** as shown and secure with screw **G**.

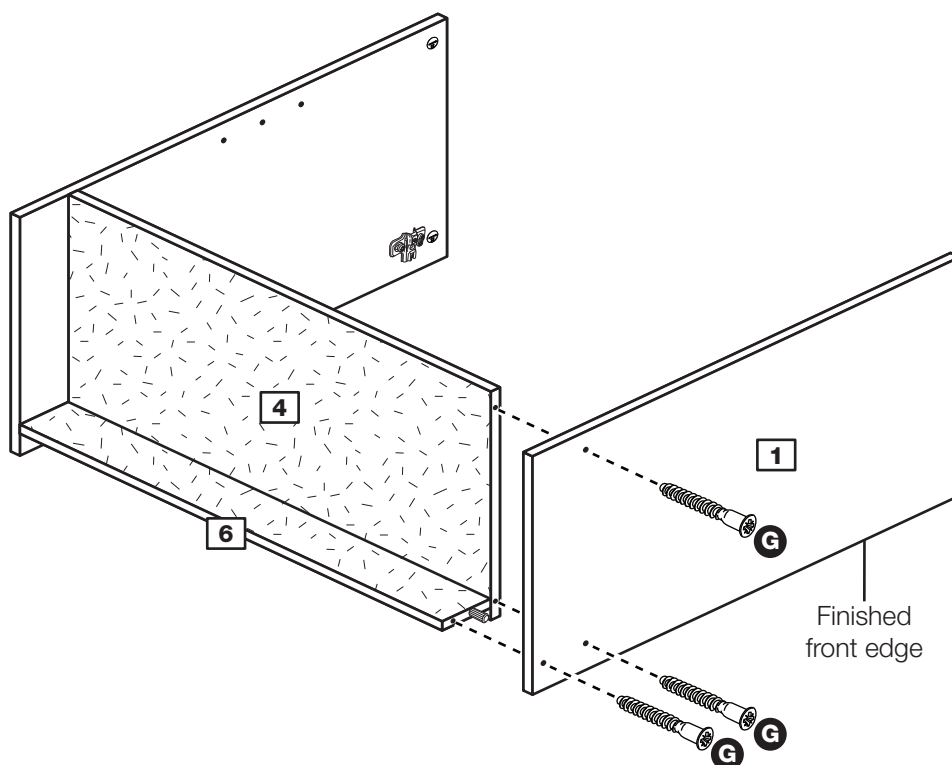


# Assembly Instructions

## Step 6

### Fit the left side

Push the left side **1** onto the assembly as shown and secure with 3 screws **G**.

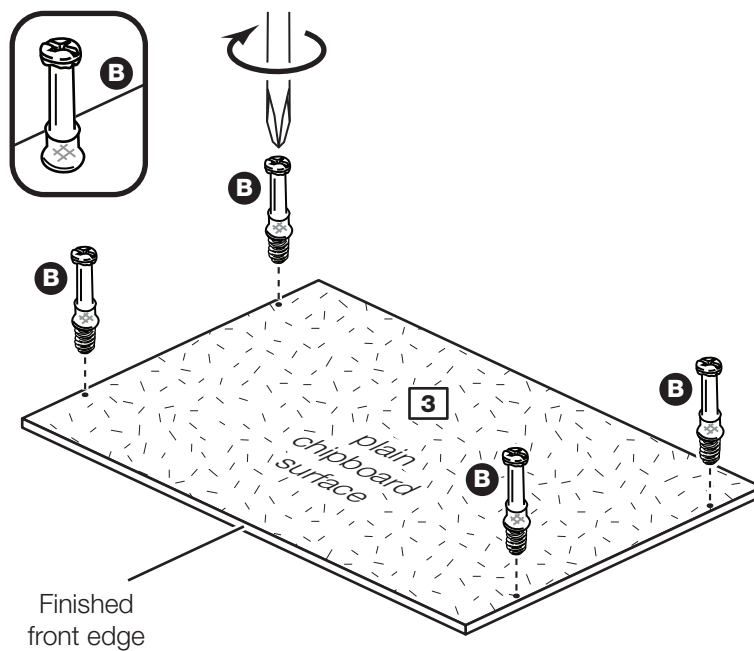


## Step 7

### Prepare the top

Screw 4 metal dowels **B** into the top **3**.

**Note:** Tighten metal dowels up fully against the panels.



# Assembly Instructions

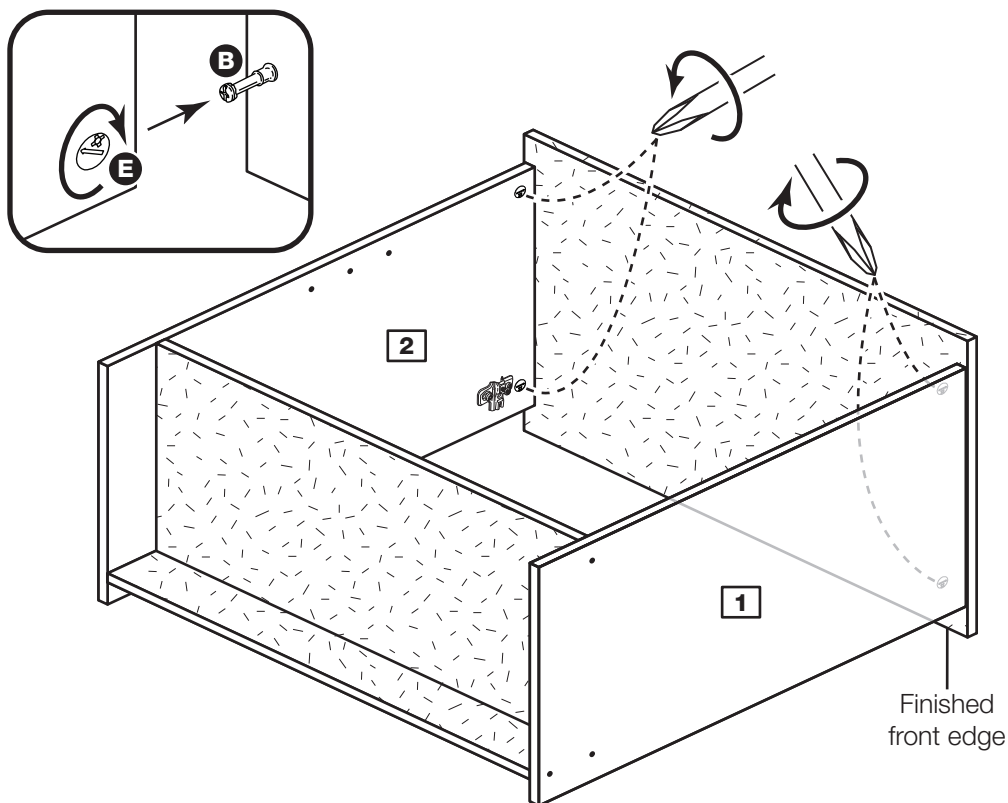
## Step 8

### Fit the top

Push the top **3** onto the assembly.

Use a screwdriver to tighten the 4 large locking nuts **E** fitted to the inside of the side panels **1** and **2**.

**Note:** Turn the large locking nuts **E** as far as they will go - more than 1/2 a turn.



## Step 9

### Fit the back

**a:** Square up the unit by making sure that measurement **x to x** equals **y to y**.

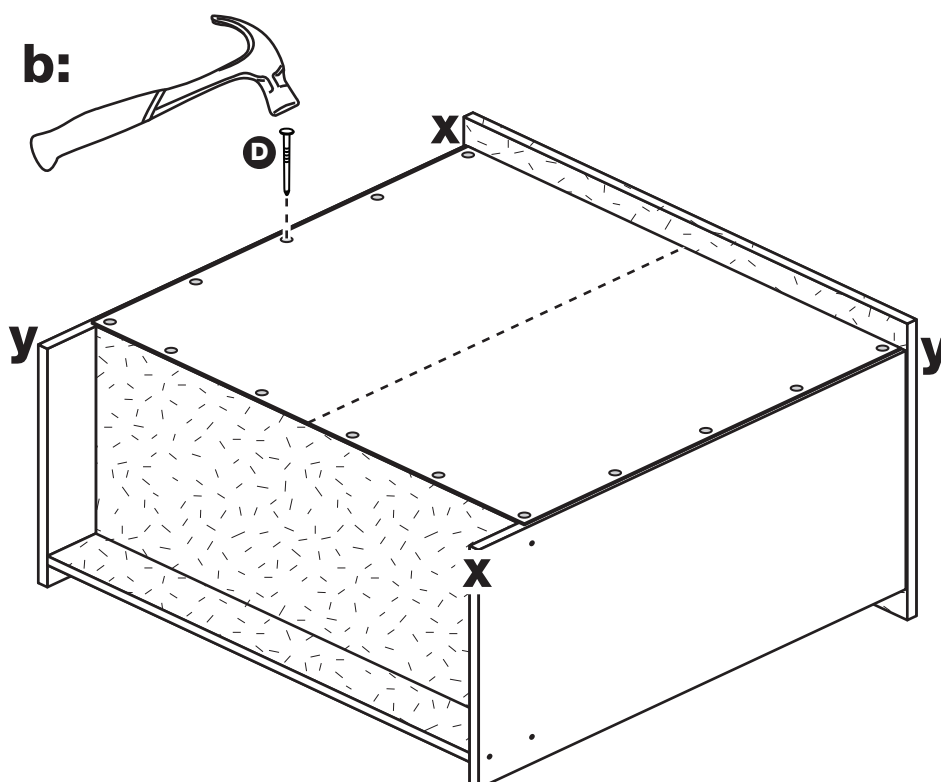
**b:** Place the back **8** onto the unit.

Nail **D** around the sides and bottom edges of the back **8**.

**Note:** Nails should be spaced about 150mm apart.

**Stand the unit up for the next step.**

**a:** The measurement from top corner X to bottom corner X must be equal to the measurement from top corner Y to bottom corner Y



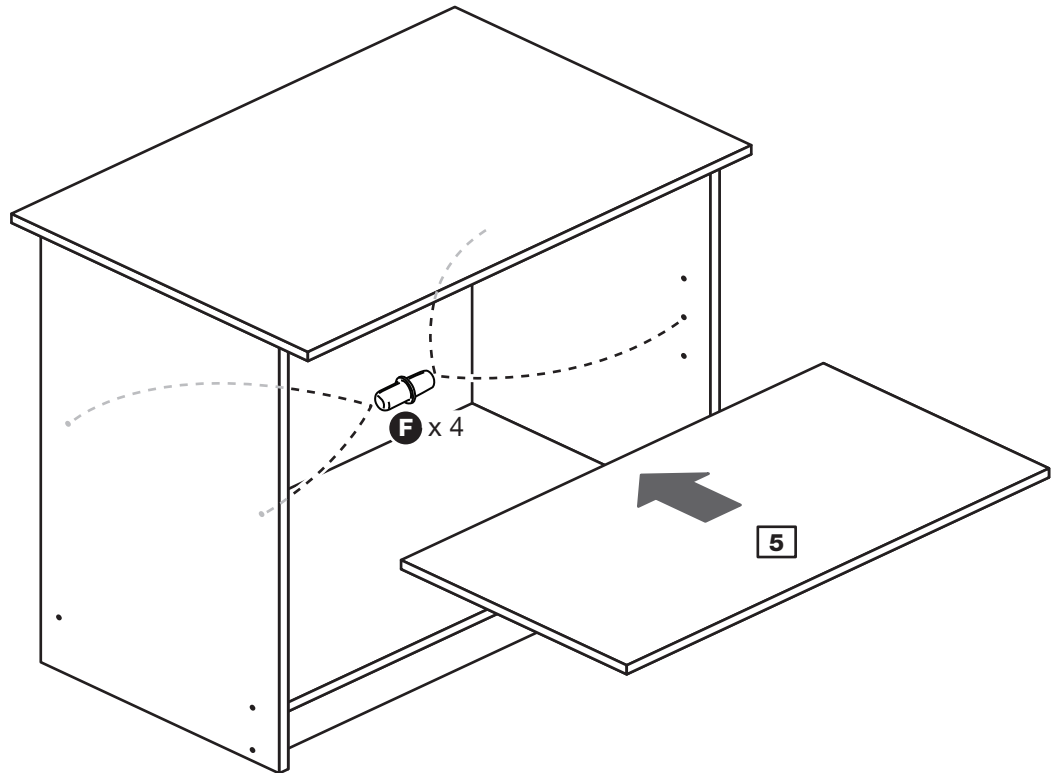
# Assembly Instructions

## Step 10

### Fit the shelf

Insert 4 shelf studs **F** at the required height.

Lower the shelf **5** down onto the shelf studs **F**.



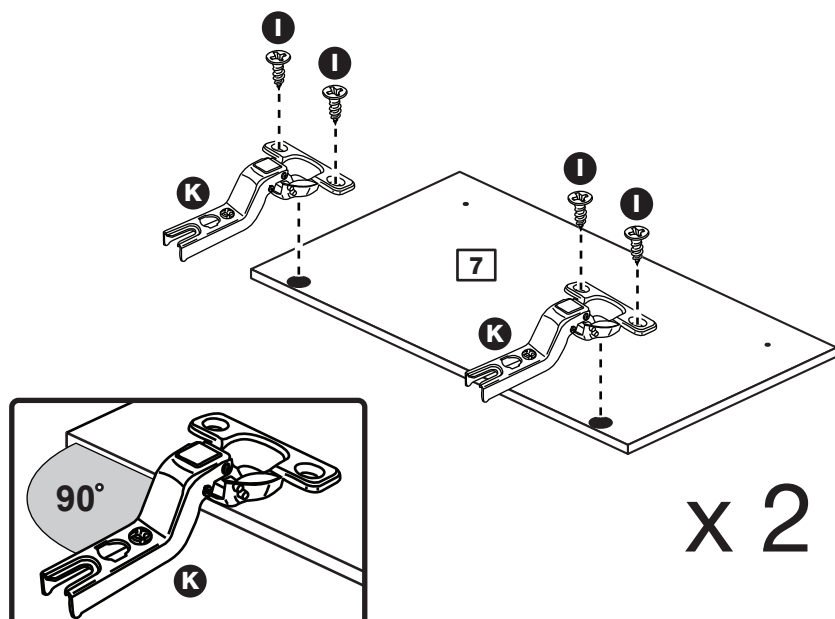
## Step 11

### Prepare the doors

Push fit 2 hinges **K** into each of the doors **7**.

Secure each hinge with 2 screws **I**.

**Note:** Before securing with the screws, make sure that the hinges are positioned at 90 degrees with the edge of the door.



# Assembly Instructions

## Step 12

### Drill the handle hole in the door

**Important:** Please follow these instructions carefully.

Lay the door **7** down onto a smooth surface.

**Important:** Carefully choose which hole you need to drill.

Check that the holes and hinge plates are in the same place as the diagrams.

**Note:** We recommend the use of a small piece of waste wood, placed behind the hole while drilling, to reduce the possibility of any breakout.

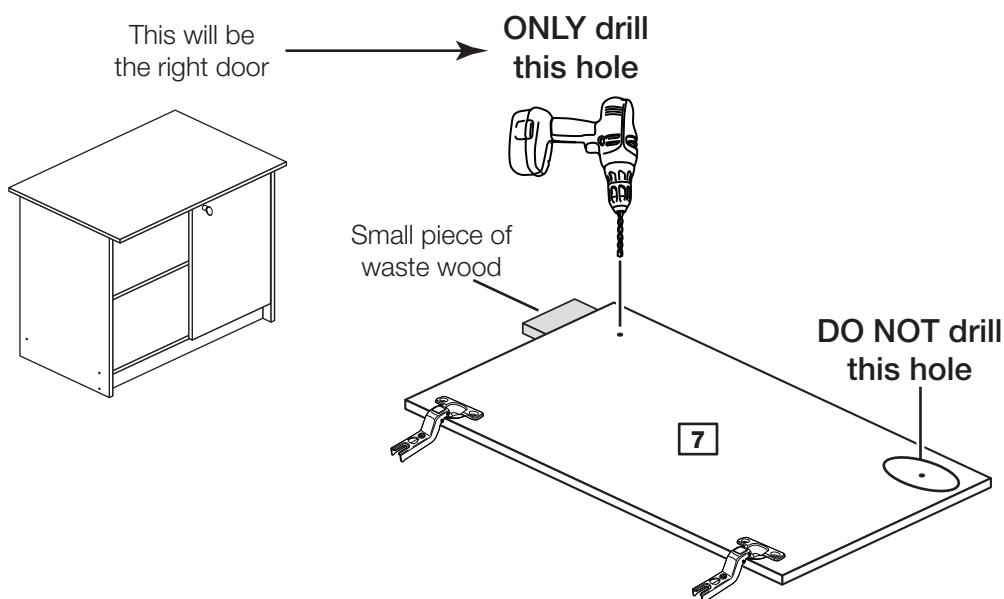
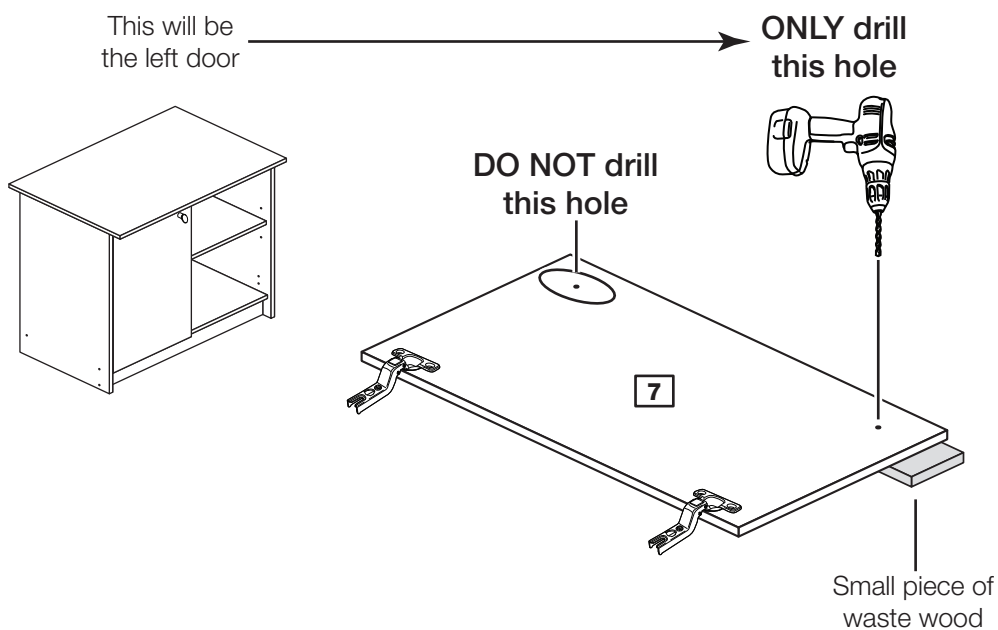
Using the pilot hole in the rear face of the door, **7** drill through the hole indicated opposite, using a 2.5mm diameter drill.

Turn the door **7** over and open out the 2.5mm hole that you have just drilled by drilling back through it with a 5mm drill.

**Note:** Drill bits are not provided.

### IMPORTANT

Carefully choose which hole you will need to drill



# Assembly Instructions

## Step 13

### Fit doors and handles

**Note:** The easiest way to attach each door **7** is to fit the top hinge first, then align and fit the other hinges.

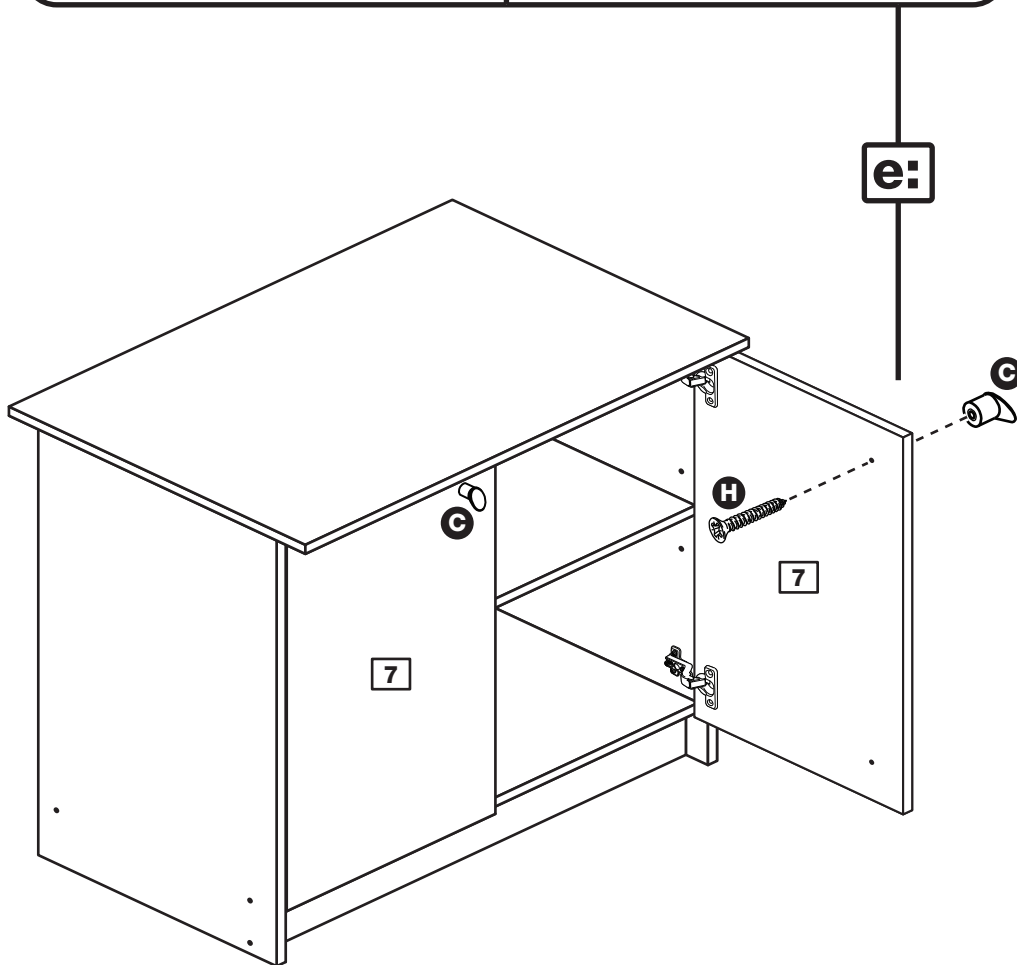
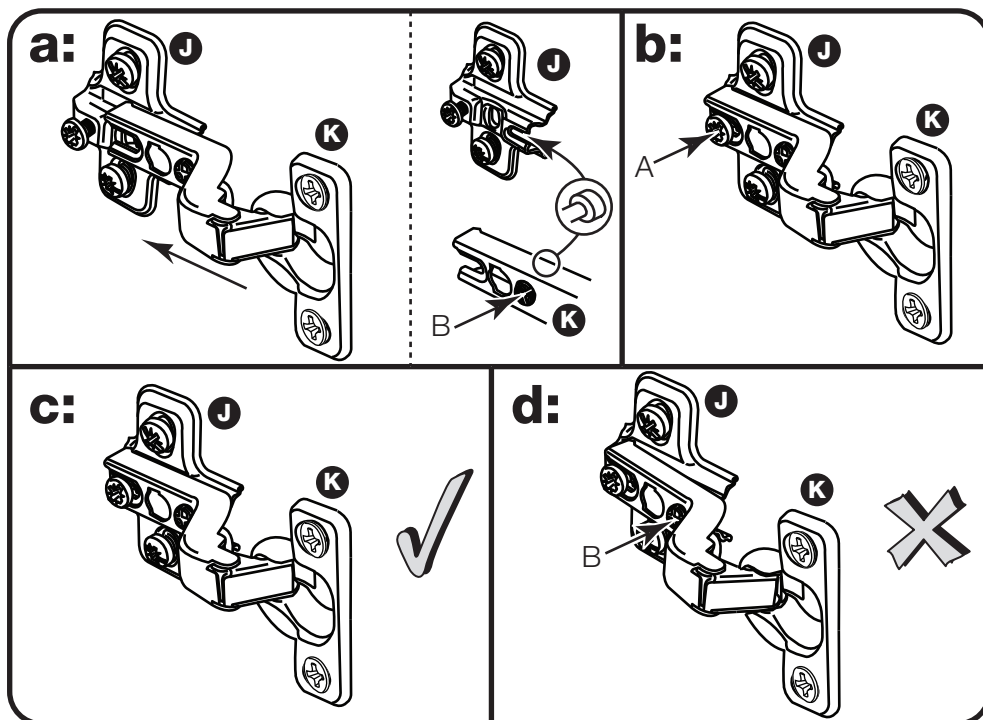
**a:** Push the hinge **K** onto the front part of the hinge plate **J**. The recess at the bottom of screw B goes into the slot in the hinge plate.

**b:** Keep the hinge **K** FLAT against the hinge plate **J** as you slide it across as far as it will go. Tighten screw A.

**c:** The hinge **K** must be flat against the hinge plate **J** prior to any adjustment.

**d:** The hinge **K** must NOT be AT AN ANGLE to the hinge plate **J** when assembled. This would indicate that the recess at the bottom of screw B had not located in the slot in the hinge plate and the hinge would not be secure. Remove the hinge from the hinge plate and then re-assemble being careful to follow instructions a-c.

**e:** Attach a handle **C** to each door **7** using screw **H**.



# Assembly Instructions

## Step 14

### Adjust the doors if needed

**a:** Before adjusting the doors, use a spirit level to check the base (or top) of the unit is level, front-to-back and side-to-side in the 3 positions shown. Use suitable packing pieces (not supplied) to make the unit level BEFORE making any adjustment to the hinges, as shown.

### **b:** Height adjustment.

Loosen screws A on hinge plates and move door up or down as required. Retighten screw A.

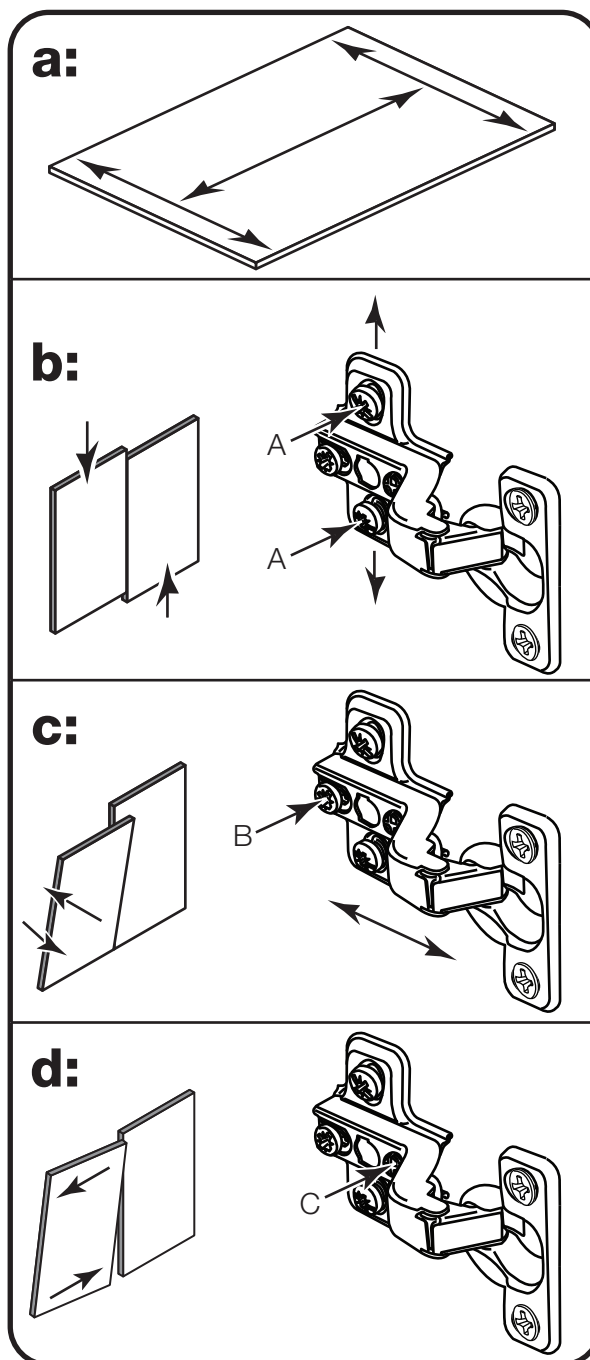
### **c:** Forward and Back adjustment.

Loosen screw B on hinge plate and move door in or out as required. Retighten screw B.

### **d:** Sideways adjustment.

To move door 'out' loosen screw C. To move door 'in' tighten screw C.

**Assembly is complete**



If you need help or have damaged or missing parts, call the Customer Helpline: 08456 400800 and quote the reference numbers on the component pages.

Argos Ltd, 489-499 Avebury Boulevard, Central Milton Keynes, MK9 2NW



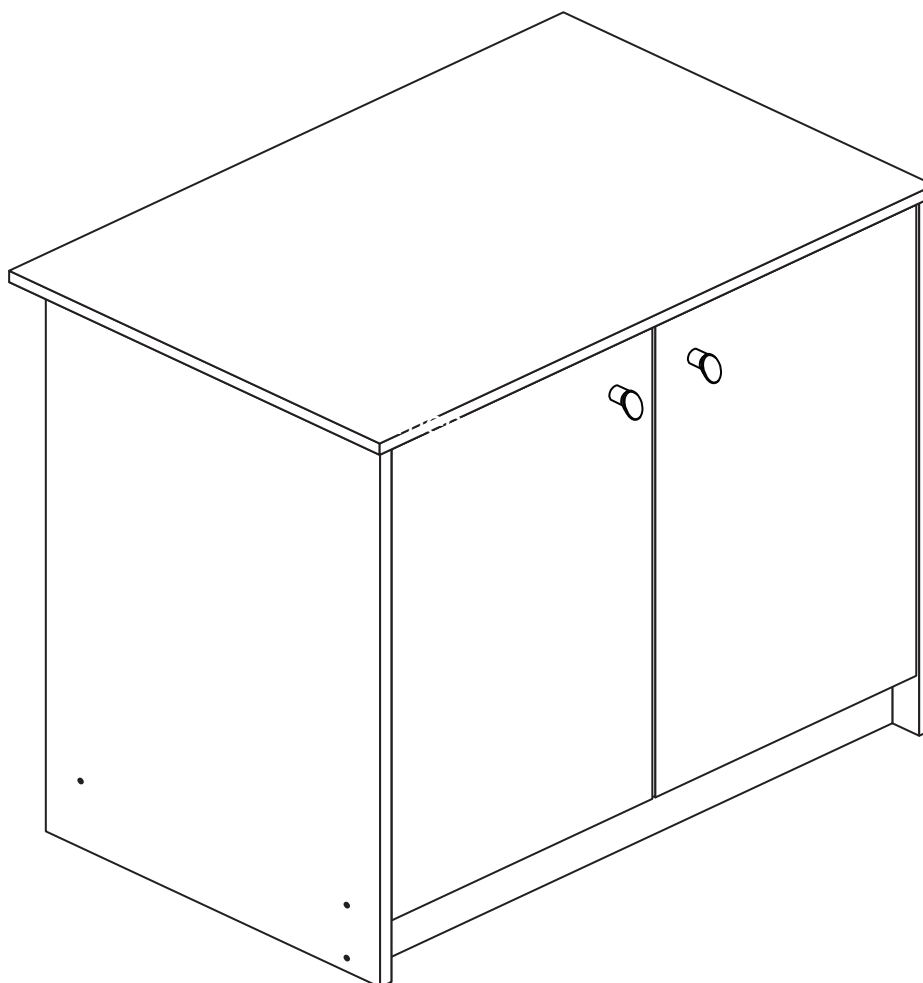
# Malibu - Double Cupboard MK2

Assembly Instructions - Please keep for future reference

621/3372

621/3389

621/3883



## Dimensions

Width - 73.5cm

Depth - 49cm

Height - 72cm



**MADE IN  
BRITAIN**

**Important** - Please read these instructions fully before starting assembly

If you need help or have damaged or missing parts, call the **Customer Helpline: 08456 400800**



# Safety and Care Advice

**Important - Please read these instructions fully before starting assembly**

- **Warning:** This unit weighs approximately 23kgs. Please lift with care.

- Check you have all the components and tools listed on pages 2 and 3.

- Remove all fittings from the plastic bags and separate them into their groups.

- Keep children and animals away from the work area, small parts could choke if swallowed.

- Parts of the assembly will be easier with 2 people.

- Make sure you have enough space to layout the parts before starting.

- Do not stand or put weight on the product, this could cause damage.

- Assemble the item as close to its final position (in the same room) as possible.

- Assemble on a soft level surface to avoid damaging the unit or your floor (use opened out unit carton).



- We do not recommend the use of power drill/drivers **for inserting screws**, as this could damage the unit. Only use hand screwdrivers.

- **Safety note:** If there is any chance of this unit being pulled over by children etc. it is recommended that the unit is secured to a wall using suitable fixings (not supplied).

- Dispose of all packaging carefully and responsibly.

## Care and maintenance

- Only clean using a damp cloth and mild detergent, do not use bleach or abrasive cleaners.

- From time to time check that there are no loose screws on this unit.

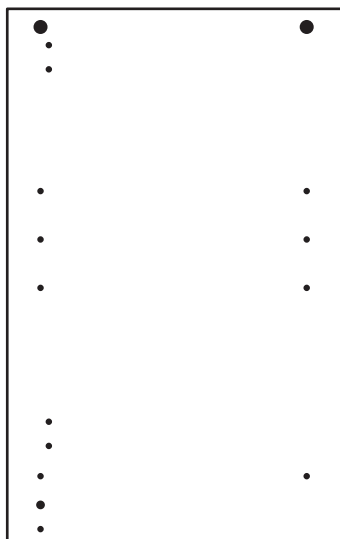
- This product should not be discarded with household waste. Take to your local authority waste disposal centre.

**Note:** If required the next page can be cut out and used as reference throughout the assembly. Keep this page with these instructions for future reference.

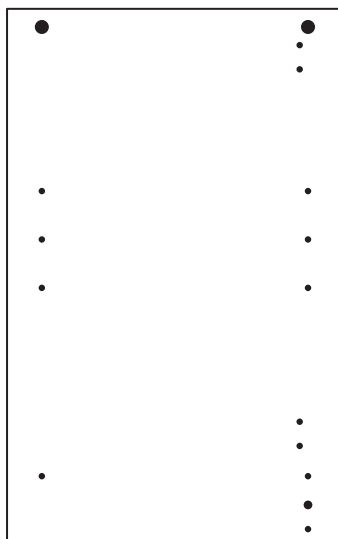
# Components - Panels

If you have damaged or missing components, call the **Customer Helpline: 08456 400800** quoting the reference numbers below

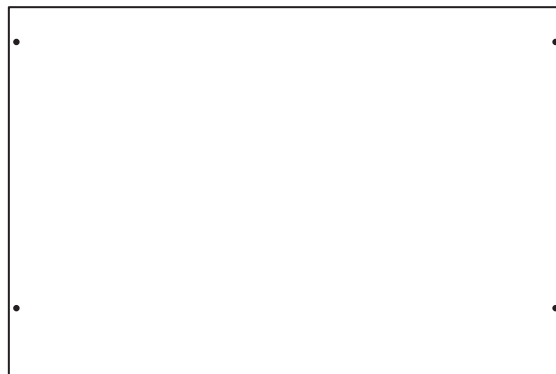
Please check you have all the panels listed below



**1** Left Side (D1161A)  
(706 x 442mm)



**2** Right Side (D1387A)  
(706 x 442mm)



**3** Top (D1170A)  
(733 x 490mm)



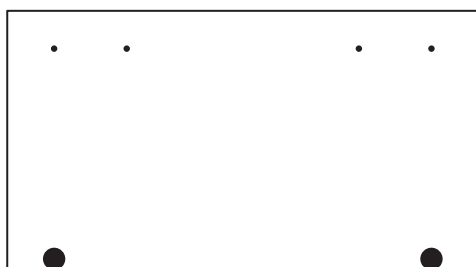
**4** Base (D1168A)  
(698 x 426mm)



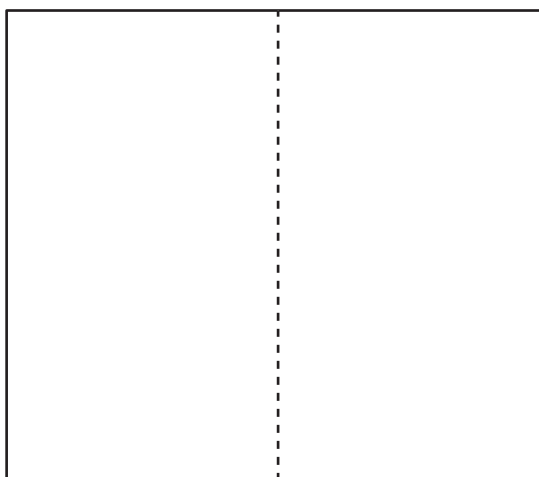
**5** Shelf (D1169A)  
(698 x 421mm)



**6** Plinth (D0879A)  
(698 x 80mm)



**7** Door (D1172A)  
(623 x 345mm) x 2



**8** Back (X848)  
(718 x 622mm)


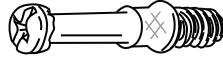

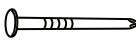





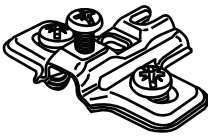
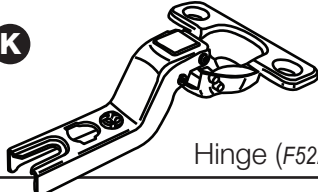


# Components - Fittings

If you have damaged or missing components, call the **Customer Helpline: 08456 400800** quoting the reference numbers below

Please check you have all the fittings listed below

**Note:** The quantities below are the correct amount to complete the assembly. In some cases more fittings may be supplied than are required.

<p><b>A</b> </p> <p>Wooden dowel (F22) x 2</p>	<p><b>B</b> </p> <p>Metal dowel (F901) x 4</p>	<p><b>C</b> </p> <p>Handle (F631) x 2</p>
<p><b>D</b> </p> <p>Nail (F51) x 16</p>	<p><b>E</b> </p> <p>Large locking nut (F900) x 4</p>	<p><b>F</b> </p> <p>Shelf stud (F110) x 4</p>
<p><b>G</b> </p> <p>40mm Screw (F910) x 6</p>	<p><b>H</b> </p> <p>25mm Screw (F50) x 2</p>	<p><b>I</b> </p> <p>13mm Screw (F63) x 8</p>
<p><b>J</b> </p> <p>Hinge plate (F523) x 4</p>	<p><b>K</b> </p> <p>Hinge (F522) x 4</p>	

## Tools required



Rule



Cross-head screwdriver



Scissors



Hammer



Eye protection  
(when using a hammer or drill)



Electric drill  
(do not use for fitting screws)

Ruler - Use this ruler to help correctly identify the screws

mm 10 20 30 40 50 60 70 80 90 100 110 120 130 140 150 160 170

# Assembly Instructions

If you have damaged or missing components, call the  
**Customer Helpline: 08456 400800** quoting the reference  
numbers below

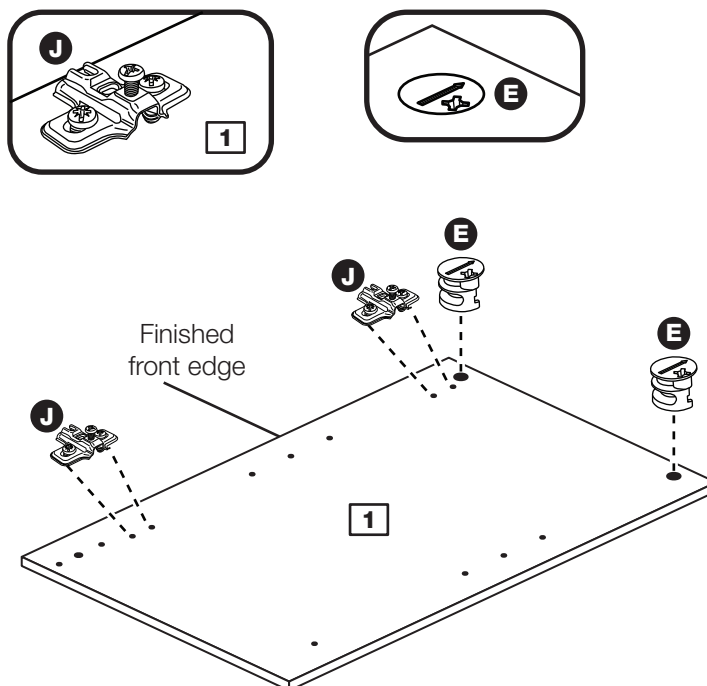
## Step 1

### Prepare the left side

Fit 2 hinge plates **J** onto the left side **1**, making sure that the slot is facing towards the finished front edge.

Insert 2 large locking nuts **E** into the left side **1** as shown.

**Note:** The arrow on the locking nut **must** point towards the hole in the edge of the panel.



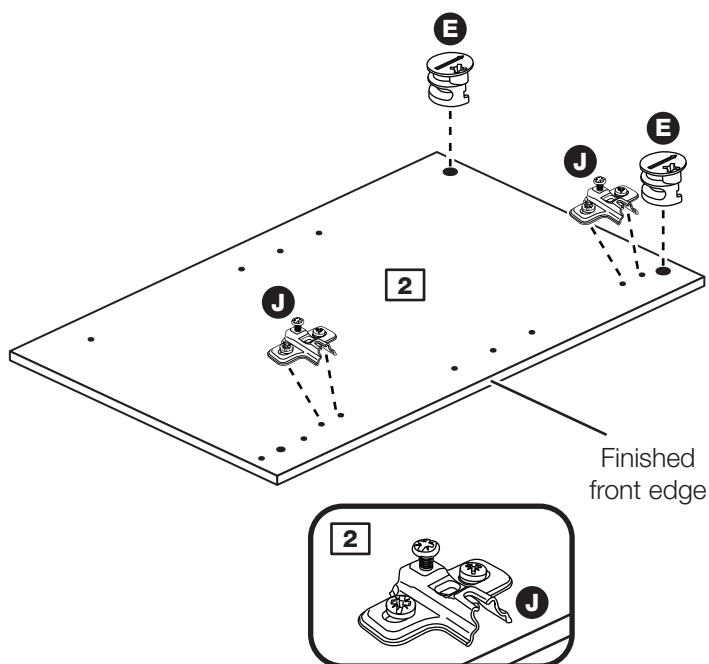
## Step 2

### Prepare the right side

Fit 2 hinge plates **J** onto the right side **2**, making sure that the slot is facing towards the finished front edge.

Insert 2 large locking nuts **E** into the right side **2** as shown.

**Note:** The arrow on the locking nut **must** point towards the hole in the edge of the panel.

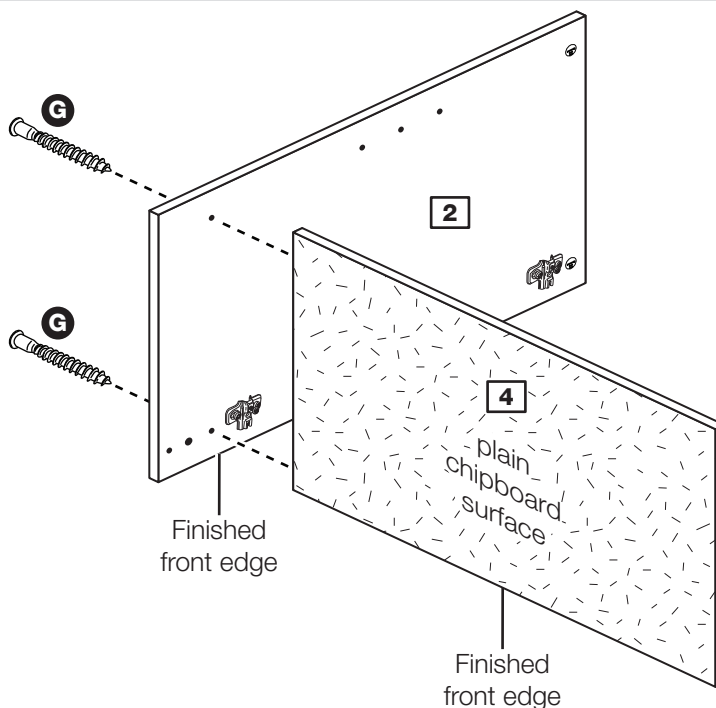


# Assembly Instructions

## Step 3

### Join the right side and base

Position the base **4** against the right side **2** as shown and secure with 2 screws **G**.

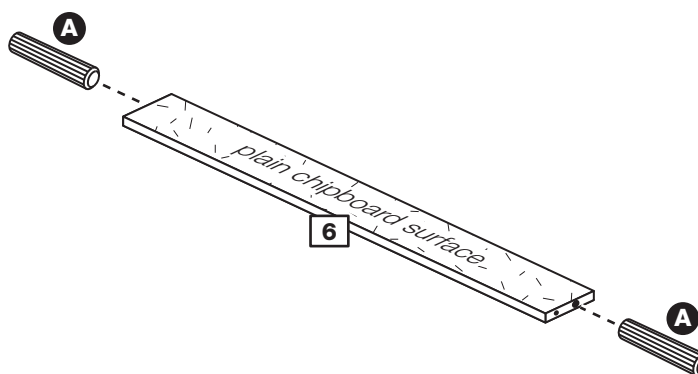


## Step 4

### Prepare the plinth

Tap 2 wooden dowels **A** into the plinth **6**.

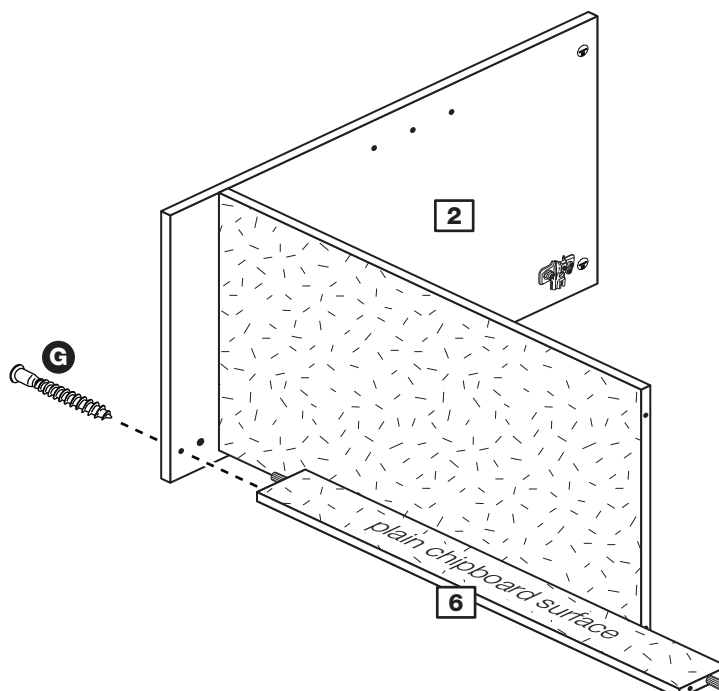
**Note:** Wooden dowels **must not** stick out from the edge by more than 10mm or they may damage other panels.



## Step 5

### Fit the plinth

Push the plinth **6** onto the right side **2** as shown and secure with screw **G**.

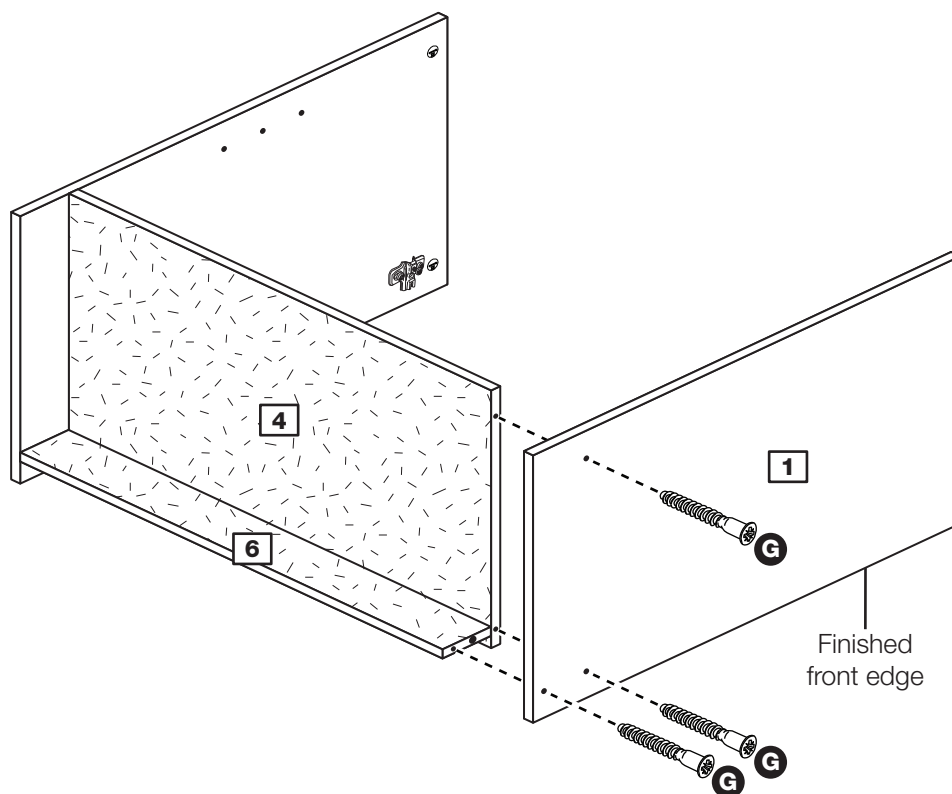


# Assembly Instructions

## Step 6

### Fit the left side

Push the left side **1** onto the assembly as shown and secure with 3 screws **G**.

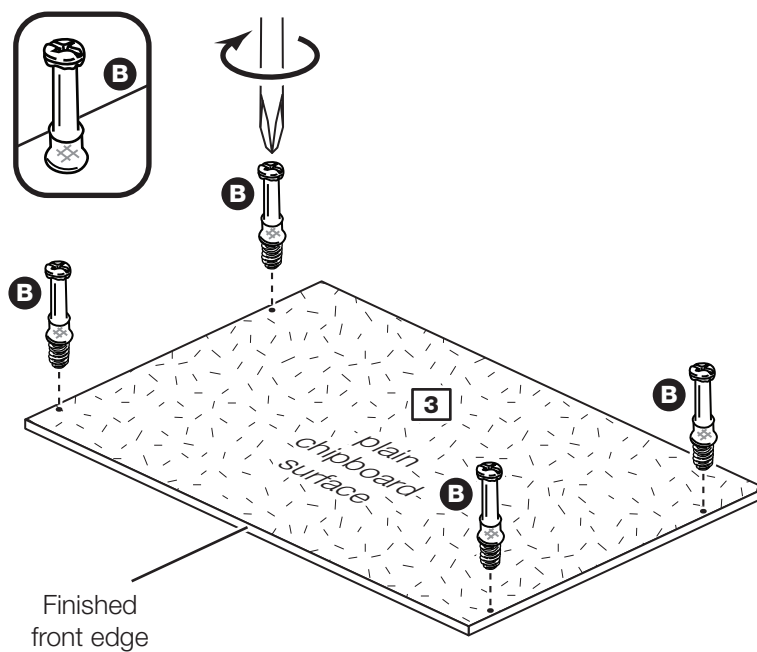


## Step 7

### Prepare the top

Screw 4 metal dowels **B** into the top **3**.

**Note:** Tighten metal dowels up fully against the panels.



# Assembly Instructions

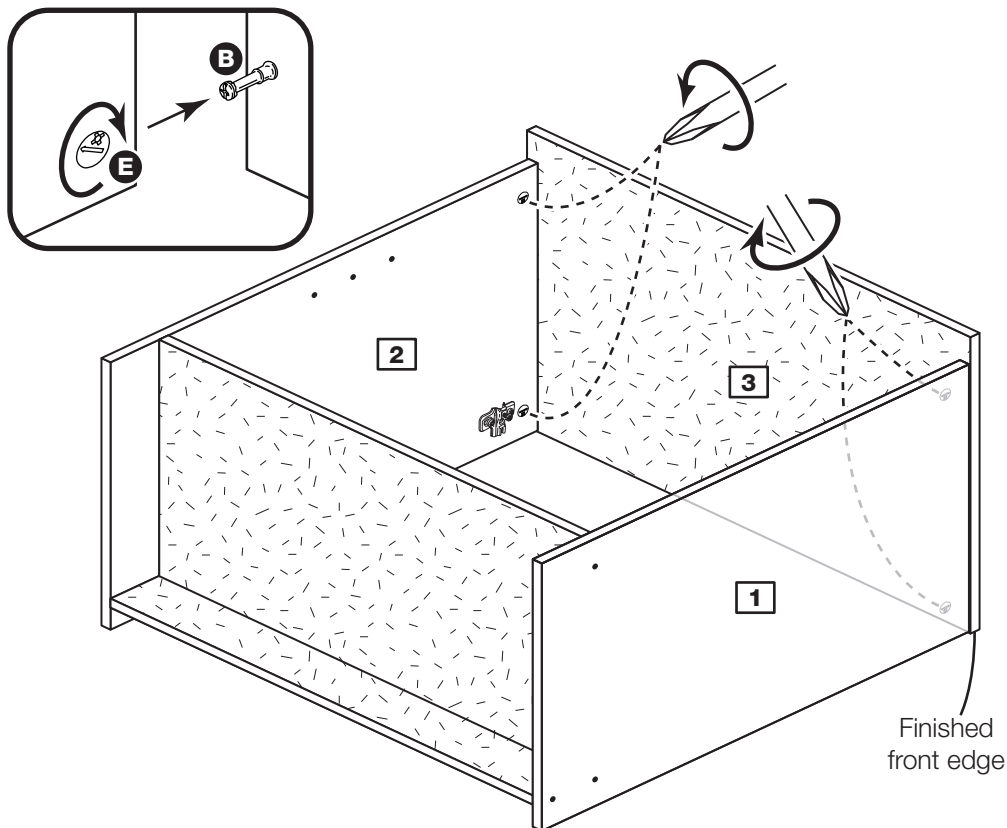
## Step 8

### Fit the top

Push the top **3** onto the assembly.

Use a screwdriver to tighten the 4 large locking nuts **E** fitted to the inside of the side panels **1** and **2**.

**Note:** Turn the large locking nuts **E** as far as they will go - more than 1/2 a turn.



## Step 9

### Fit the back

**a:** Square up the unit by making sure that measurement **x to x** equals **y to y**.

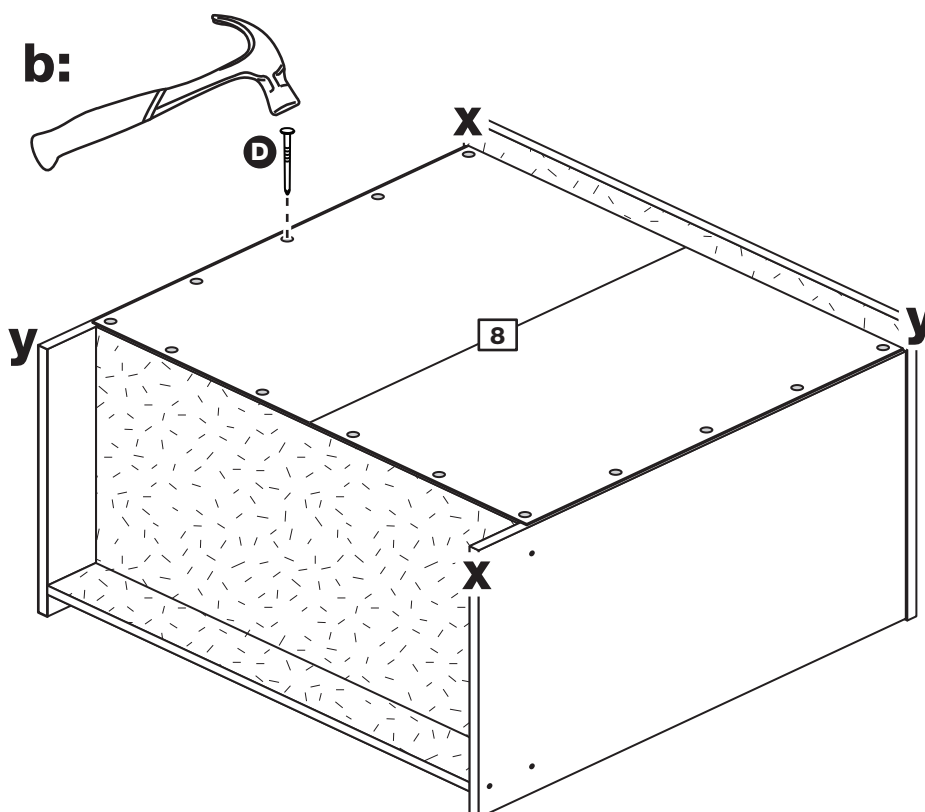
**b:** Place the back **8** onto the unit.

Nail **D** around the sides and bottom edges of the back **8**.

**Note:** Nails should be spaced about 150mm apart.

**Stand the unit up for the next step.**

**a:** The measurement from top corner X to bottom corner X must be equal to the measurement from top corner Y to bottom corner Y





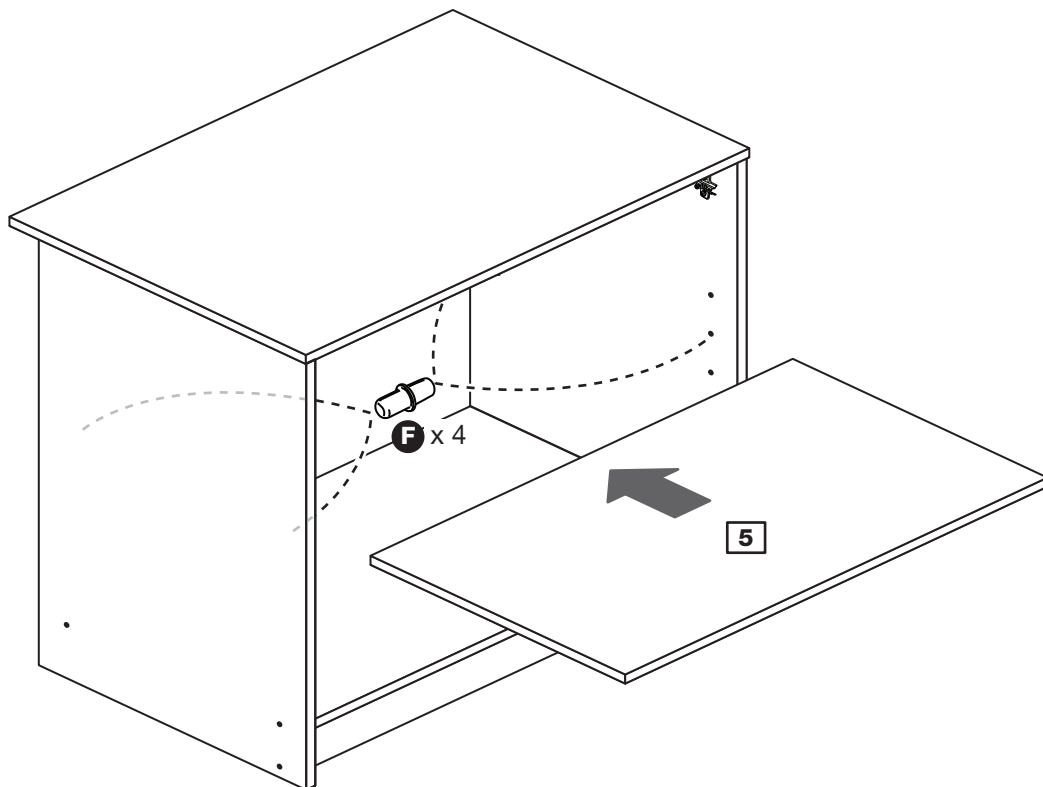
# Assembly Instructions

## Step 10

### Fit the shelf

Insert 4 shelf studs **F** at the required height.

Lower the shelf **5** down onto the shelf studs **F**.



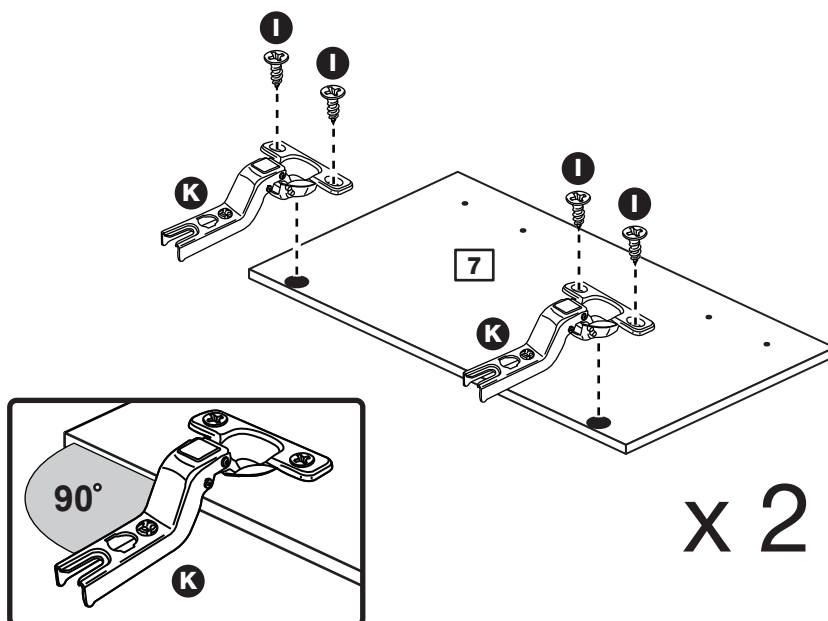
## Step 11

### Prepare the doors

Push fit 2 hinges **K** into each of the doors **7**.

Secure each hinge with 2 screws **I**.

**Note:** Before securing with the screws, make sure that the hinges are positioned at 90 degrees with the edge of the door.



# Assembly Instructions

## Step 12

### Drill the handle hole in the doors

**Important:** Please follow these instructions carefully.

Lay the door **7** down onto a smooth surface.

**Important:** Carefully choose which hole you need to drill.

Check that the holes and hinge plates are in the same place as the diagrams.

**Note:** We recommend the use of a small piece of waste wood, placed behind the hole while drilling, to reduce the possibility of any breakout.

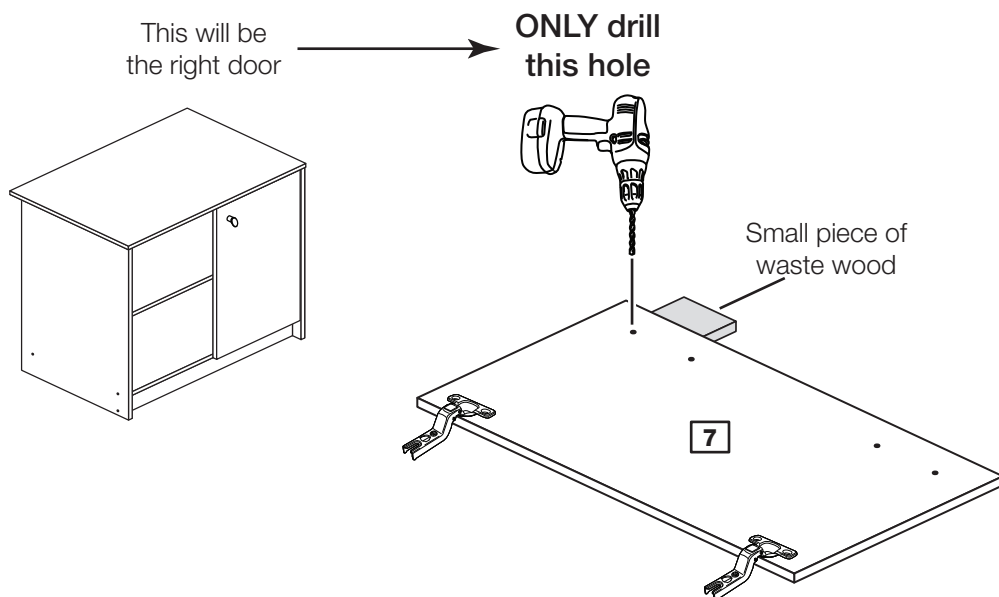
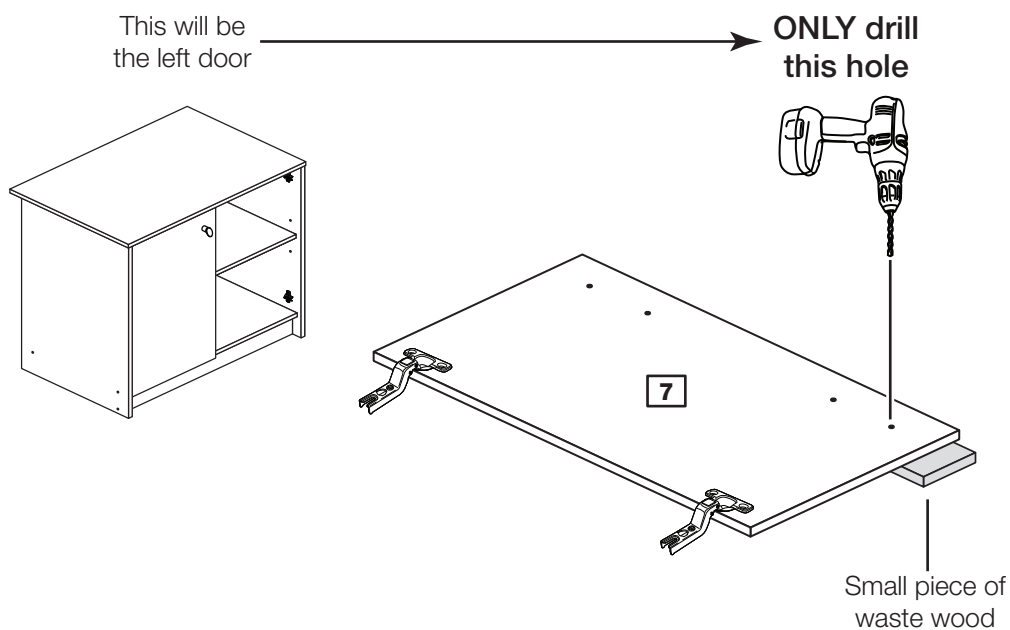
Using the pilot hole in the rear face of the door, **7** drill through the hole indicated opposite, using a 2.5mm diameter drill.

Turn the door **7** over and open out the 2.5mm hole that you have just drilled by drilling back through it with a 5mm drill.

**Note:** Drill bits are not provided.

### IMPORTANT

Carefully choose which hole you will need to drill



# Assembly Instructions

## Step 13

### Fit doors and handles

**Note:** The easiest way to attach each door **7** is to fit the top hinge first, then align and fit the other hinges.

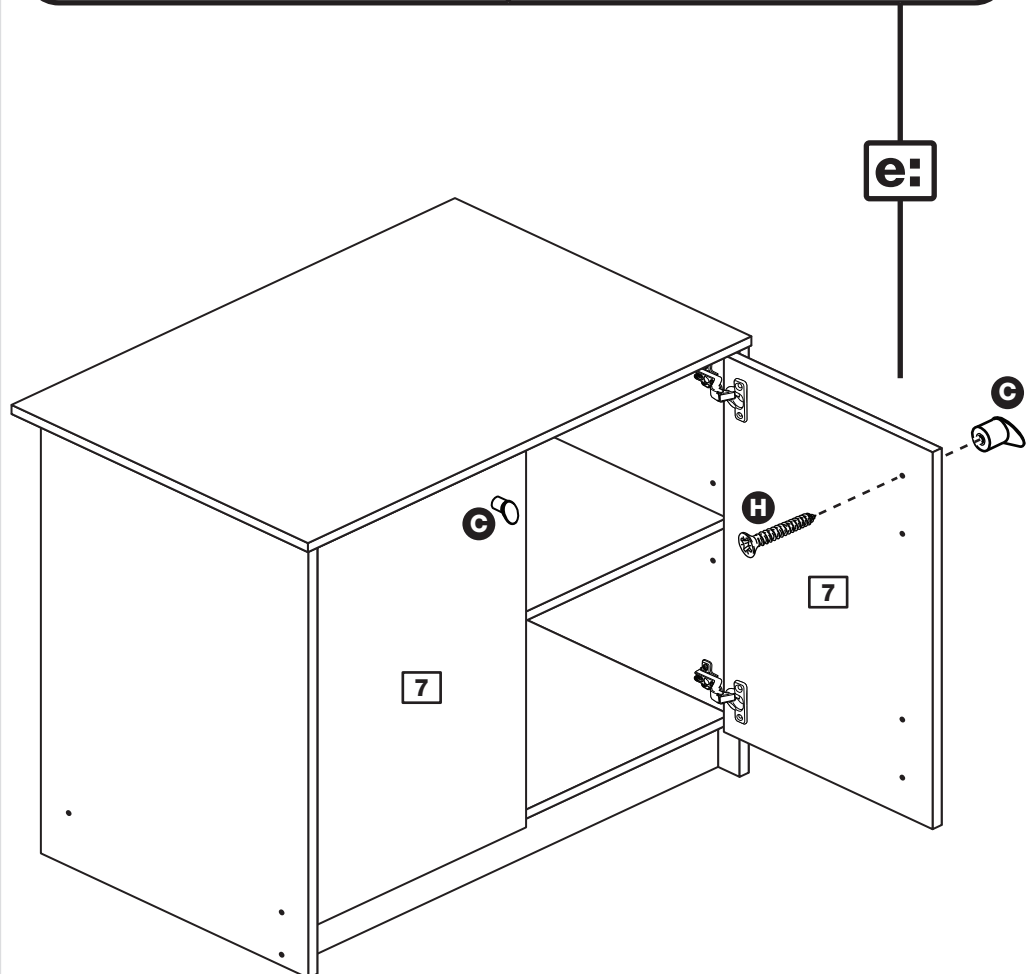
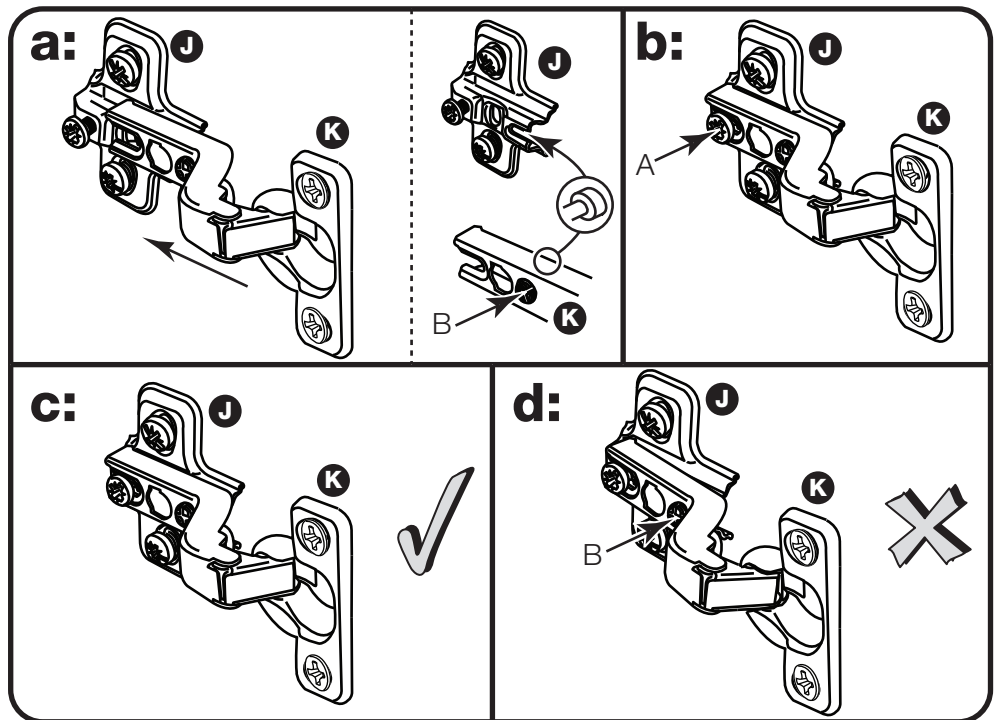
**a:** Push the hinge **K** onto the front part of the hinge plate **J**. The recess at the bottom of screw B goes into the slot in the hinge plate.

**b:** Keep the hinge **K** FLAT against the hinge plate **J** as you slide it across as far as it will go. Tighten screw A.

**c:** The hinge **K** must be flat against the hinge plate **J** prior to any adjustment.

**d:** The hinge **K** must NOT be AT AN ANGLE to the hinge plate **J** when assembled. This would indicate that the recess at the bottom of screw B had not located in the slot in the hinge plate and the hinge would not be secure. Remove the hinge from the hinge plate and then re-assemble being careful to follow instructions a-c.

**e:** Attach a handle **C** to each door **7** using screw **H**.



# Assembly Instructions

## Step 14

### Adjust the doors if needed

**a:** Before adjusting the doors, use a spirit level to check the base (or top) of the unit is level, front-to-back and side-to-side in the 3 positions shown. Use suitable packing pieces (not supplied) to make the unit level BEFORE making any adjustment to the hinges, as shown.

### **b:** Height adjustment.

Loosen screws A on hinge plates and move door up or down as required. Retighten screw A.

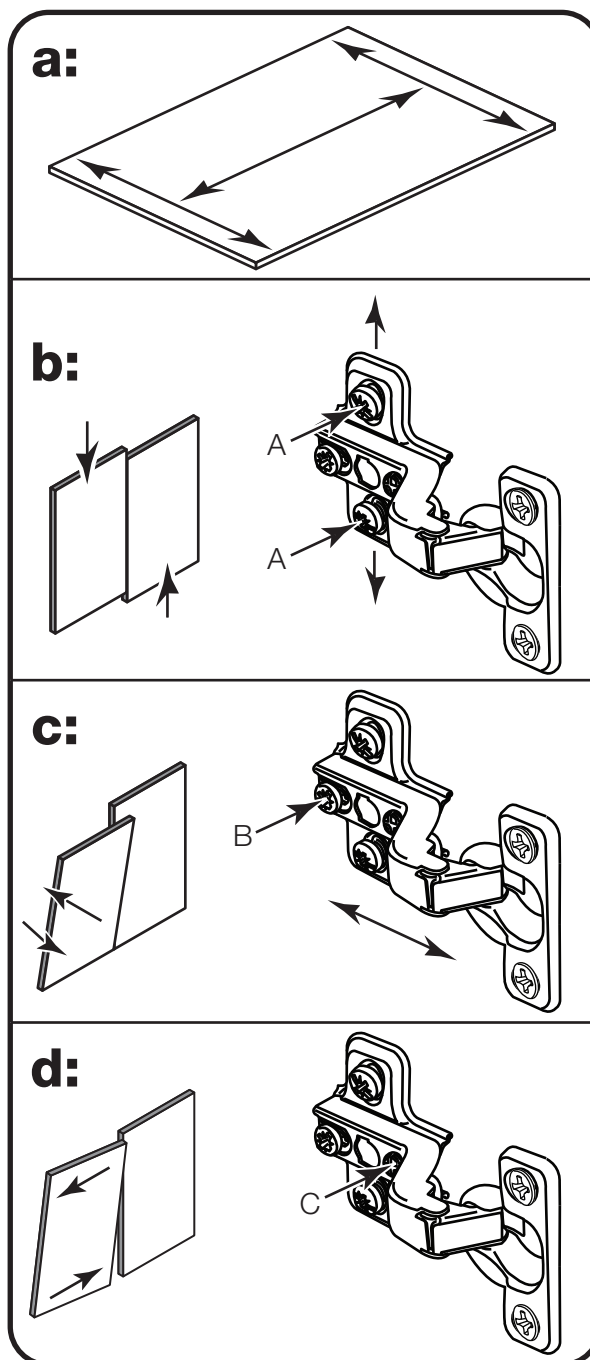
### **c:** Forward and Back adjustment.

Loosen screw B on hinge plate and move door in or out as required. Retighten screw B.

### **d:** Sideways adjustment.

To move door 'out' loosen screw C. To move door 'in' tighten screw C.

**Assembly is complete**



If you need help or have damaged or missing parts, call the Customer Helpline: 08456 400800 and quote the reference numbers on the component pages.

Argos Ltd, 489-499 Avebury Boulevard, Central Milton Keynes, MK9 2NW

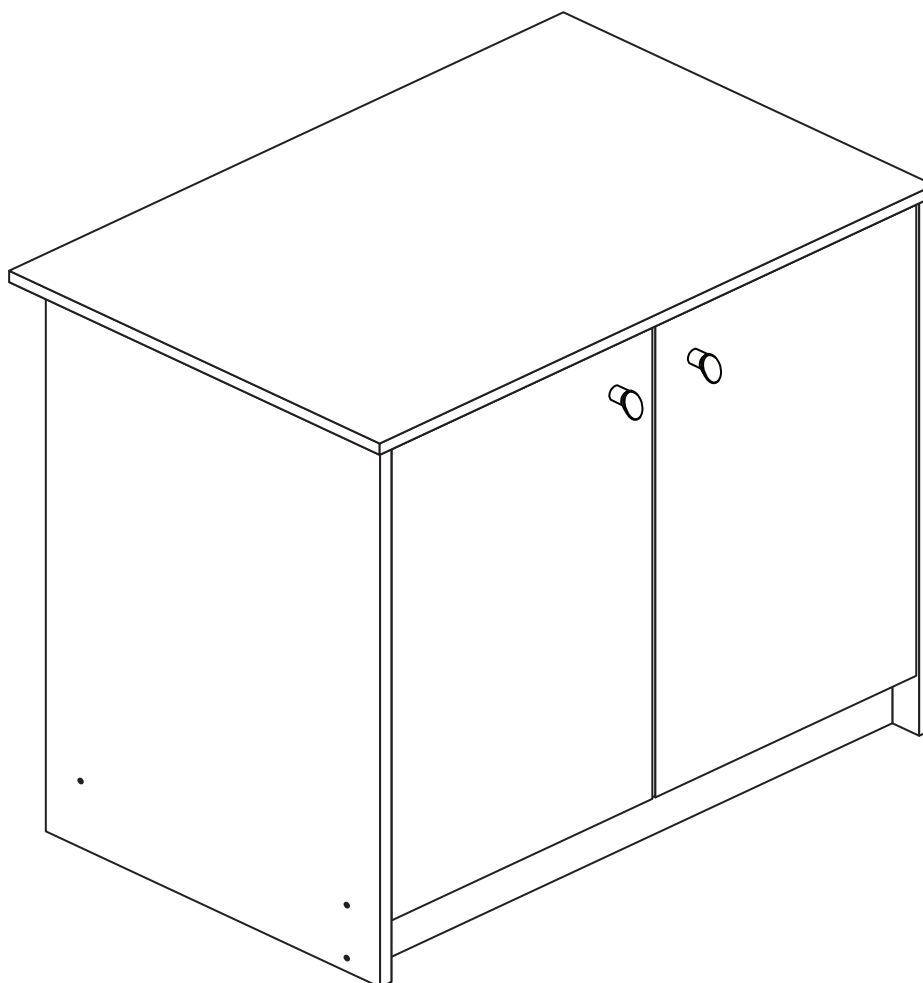
# Malibu - Double Cupboard MK2

Assembly Instructions - Please keep for future reference

621/3372

621/3389

617/3883



## Dimensions

Width - 73.5cm

Depth - 49cm

Height - 72cm



**MADE IN  
BRITAIN**

**Important** - Please read these instructions fully before starting assembly

If you need help or have damaged or missing parts, call the **Customer Helpline: 08456 400800**



# Safety and Care Advice

**Important - Please read these instructions fully before starting assembly**

- **Warning:** This unit weighs approximately 23kgs. Please lift with care.

- Check you have all the components and tools listed on pages 2 and 3.

- Remove all fittings from the plastic bags and separate them into their groups.

- Keep children and animals away from the work area, small parts could choke if swallowed.

- Parts of the assembly will be easier with 2 people.

- Make sure you have enough space to layout the parts before starting.

- Do not stand or put weight on the product, this could cause damage.

- Assemble the item as close to its final position (in the same room) as possible.

- Assemble on a soft level surface to avoid damaging the unit or your floor (use opened out unit carton).



- We do not recommend the use of power drill/drivers **for inserting screws**, as this could damage the unit. Only use hand screwdrivers.

- **Safety note:** If there is any chance of this unit being pulled over by children etc. it is recommended that the unit is secured to a wall using suitable fixings (not supplied).

- Dispose of all packaging carefully and responsibly.

## Care and maintenance

- Only clean using a damp cloth and mild detergent, do not use bleach or abrasive cleaners.

- From time to time check that there are no loose screws on this unit.

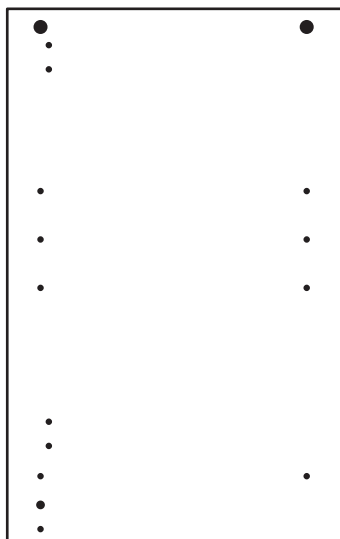
- This product should not be discarded with household waste. Take to your local authority waste disposal centre.

**Note:** If required the next page can be cut out and used as reference throughout the assembly. Keep this page with these instructions for future reference.

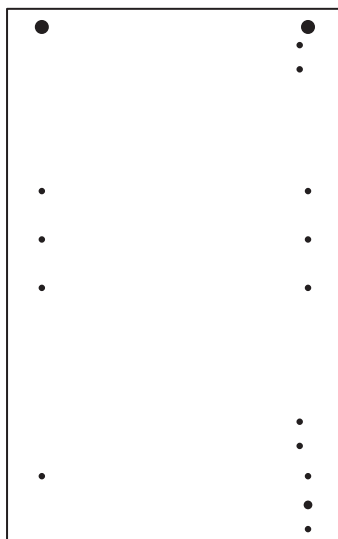
# Components - Panels

If you have damaged or missing components, call the **Customer Helpline: 08456 400800** quoting the reference numbers below

Please check you have all the panels listed below



**1** Left Side (D2832A)  
(706 x 444mm)



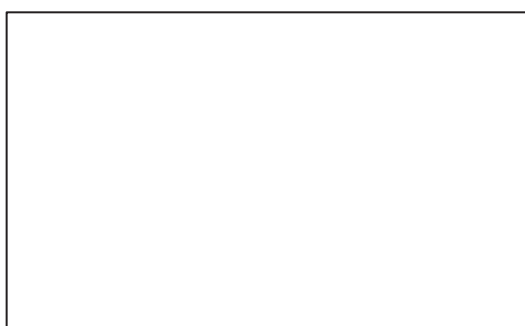
**2** Right Side (D2833A)  
(706 x 444mm)



**3** Top (D2817A)  
(733 x 490mm)



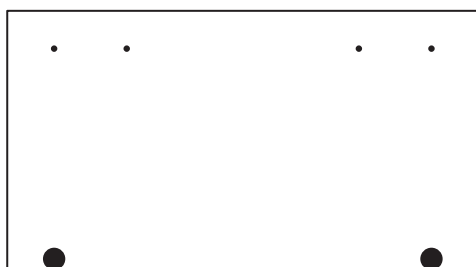
**4** Base (D2818A)  
(698 x 428mm)



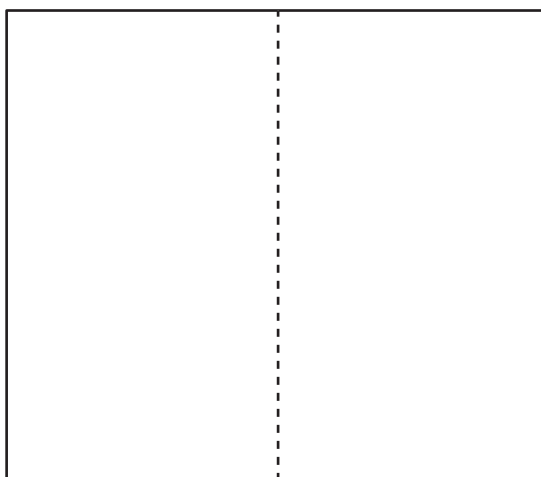
**5** Shelf (D2819A)  
(698 x 423mm)



**6** Plinth (D2820A)  
(698 x 80mm)



**7** Door (D2808A)  
(623 x 345mm) x 2



**8** Back (X848)  
(718 x 622mm)


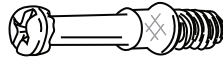

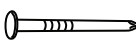





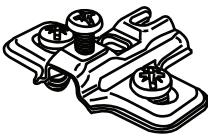
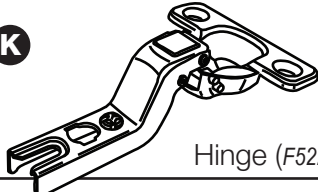
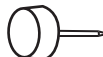


# Components - Fittings

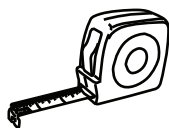
If you have damaged or missing components, call the **Customer Helpline: 08456 400800** quoting the reference numbers below

Please check you have all the fittings listed below

**Note:** The quantities below are the correct amount to complete the assembly. In some cases more fittings may be supplied than are required.

<p><b>A</b> </p> <p>Wooden dowel (F22) x 2</p>	<p><b>B</b> </p> <p>Metal dowel (F901) x 4</p>	<p><b>C</b> </p> <p>Handle (F631) x 2</p>
<p><b>D</b> </p> <p>Nail (F51) x 16</p>	<p><b>E</b> </p> <p>Large locking nut (F900) x 4</p>	<p><b>F</b> </p> <p>Shelf stud (F110) x 8</p>
<p><b>G</b> </p> <p>40mm Screw (F910) x 6</p>	<p><b>H</b> </p> <p>25mm Screw (F50) x 2</p>	<p><b>I</b> </p> <p>13mm Screw (F63) x 8</p>
<p><b>J</b> </p> <p>Hinge plate (F523) x 4</p>	<p><b>K</b> </p> <p>Hinge (F522) x 4</p>	<p><b>L</b> </p> <p>Plastic Nail (F91) x 4</p>

## Tools required



Rule



Cross-head screwdriver



Scissors



Hammer



Eye protection  
(when using a hammer or drill)



Electric drill  
(do not use for fitting screws)

Ruler - Use this ruler to help correctly identify the screws

mm 10 20 30 40 50 60 70 80 90 100 110 120 130 140 150 160 170



# Assembly Instructions

If you have damaged or missing components, call the  
**Customer Helpline: 08456 400800** quoting the reference  
numbers below

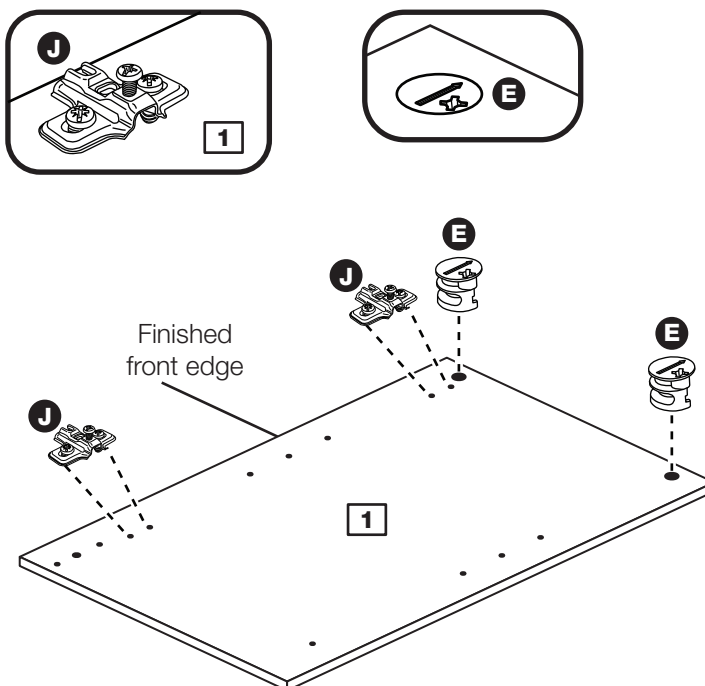
## Step 1

### Prepare the left side

Fit 2 hinge plates **J** onto the left side **1**, making sure that the slot is facing towards the finished front edge.

Insert 2 large locking nuts **E** into the left side **1** as shown.

**Note:** The arrow on the locking nut **must** point towards the hole in the edge of the panel.



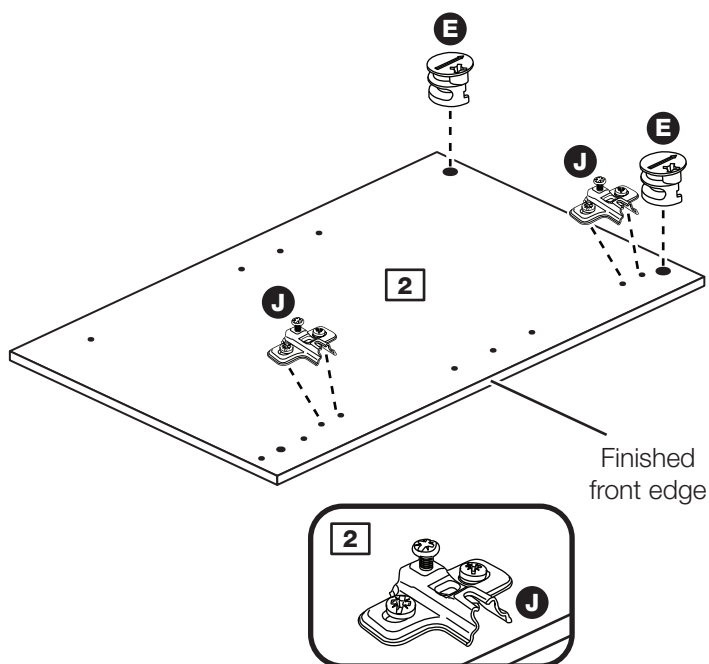
## Step 2

### Prepare the right side

Fit 2 hinge plates **J** onto the right side **2**, making sure that the slot is facing towards the finished front edge.

Insert 2 large locking nuts **E** into the right side **2** as shown.

**Note:** The arrow on the locking nut **must** point towards the hole in the edge of the panel.

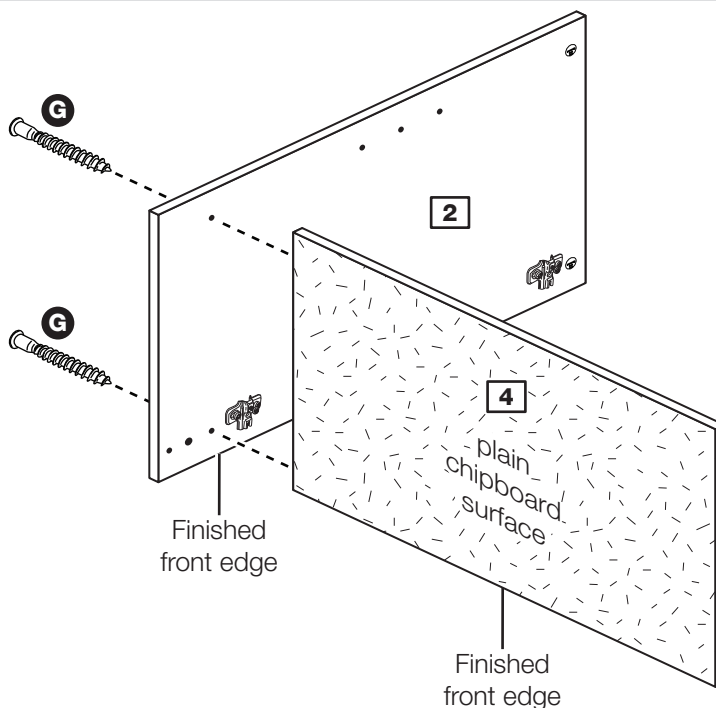


# Assembly Instructions

## Step 3

### Join the right side and base

Position the base **4** against the right side **2** as shown and secure with 2 screws **G**.

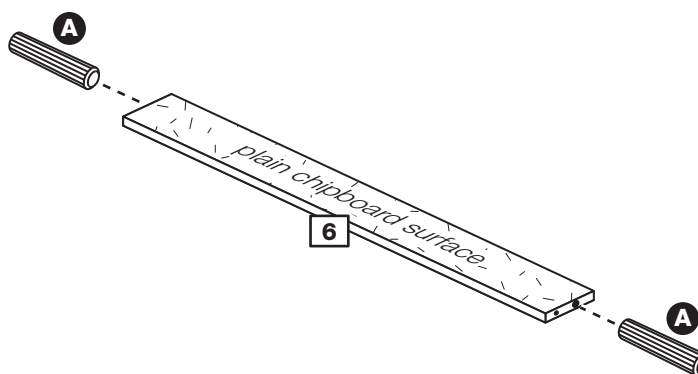


## Step 4

### Prepare the plinth

Tap 2 wooden dowels **A** into the plinth **6**.

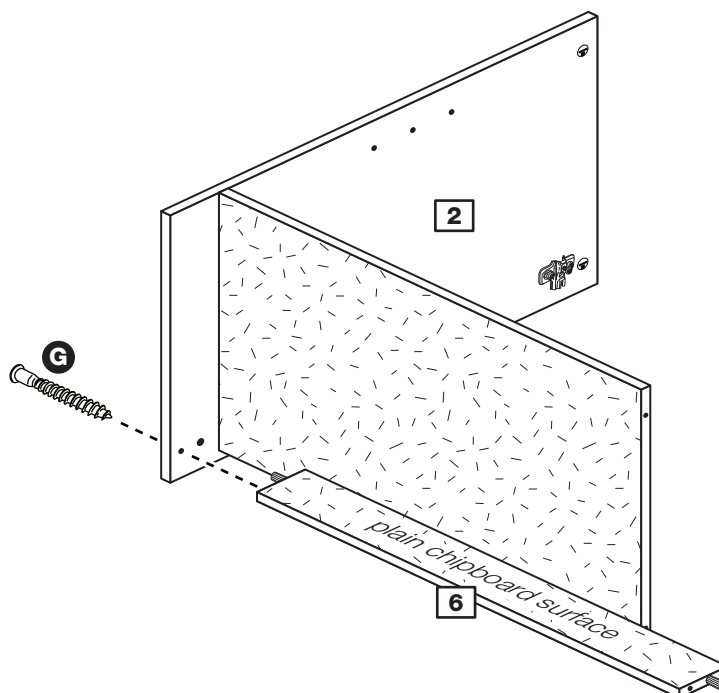
**Note:** Wooden dowels **must not** stick out from the edge by more than 10mm or they may damage other panels.



## Step 5

### Fit the plinth

Push the plinth **6** onto the right side **2** as shown and secure with screw **G**.

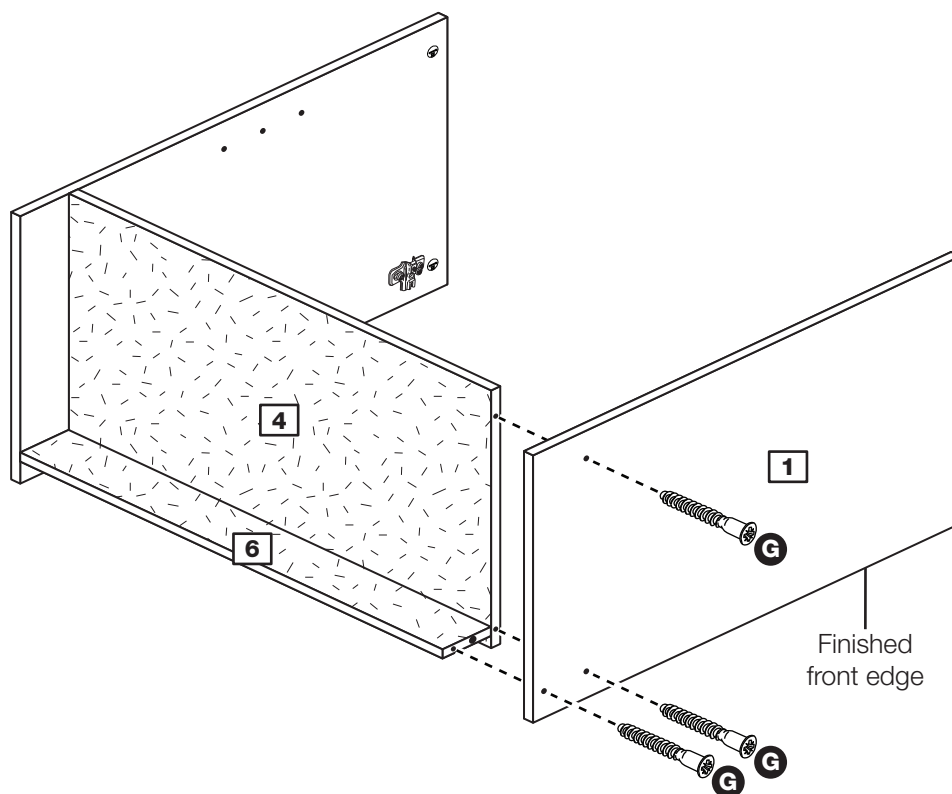


# Assembly Instructions

## Step 6

### Fit the left side

Push the left side **1** onto the assembly as shown and secure with 3 screws **G**.

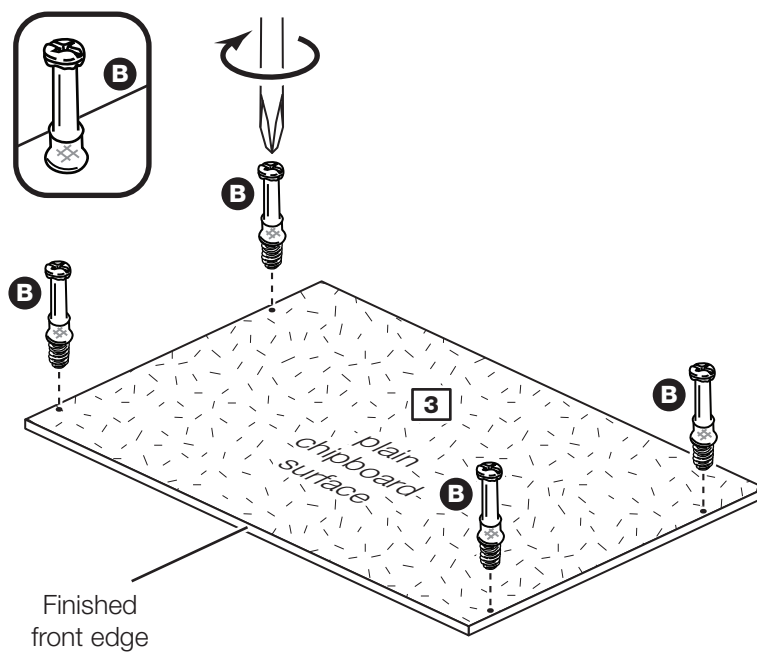


## Step 7

### Prepare the top

Screw 4 metal dowels **B** into the top **3**.

**Note:** Tighten metal dowels up fully against the panels.



# Assembly Instructions

## Step 8

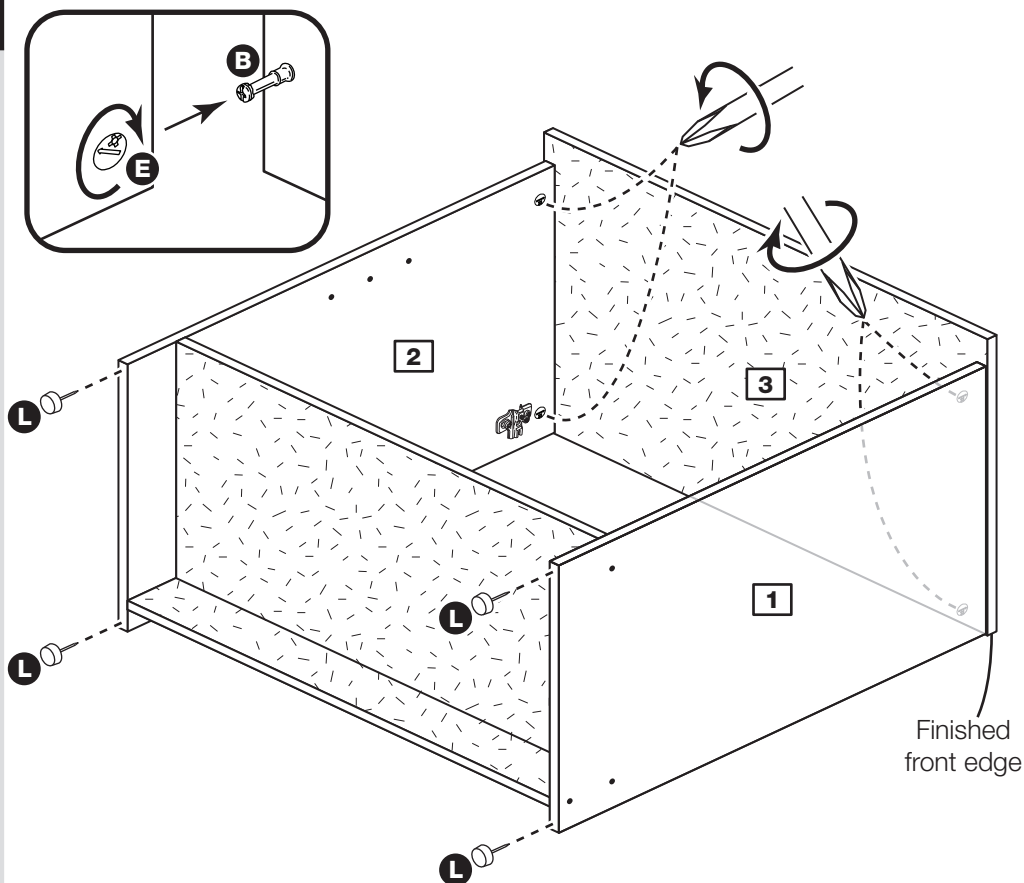
### Fit the top and fit the 4 plasinaills

Push the top **3** onto the assembly.

Use a screwdriver to tighten the 4 large locking nuts **E** fitted to the inside of the side panels **1** and **2**.

**Note:** Turn the large locking nuts **E** as far as they will go - more than 1/2 a turn.

Tap 2 plastic nails **L** into the bottom edge of each of the sides **1** and **2**.



## Step 9

### Fit the back

**a:** Square up the unit by making sure that measurement **x to x** equals **y to y**.

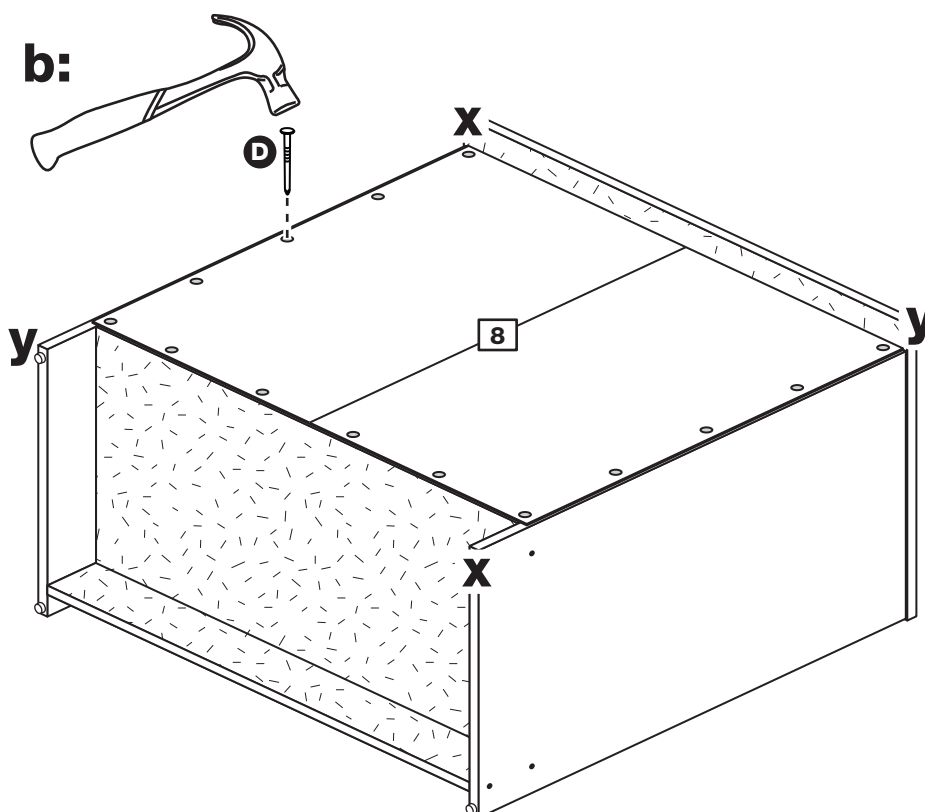
**b:** Place the back **8** onto the unit.

Nail **D** around the sides and bottom edges of the back **8**.

**Note:** Nails should be spaced about 150mm apart.

**Stand the unit up for the next step.**

**a:** The measurement from top corner X to bottom corner X must be equal to the measurement from top corner Y to bottom corner Y



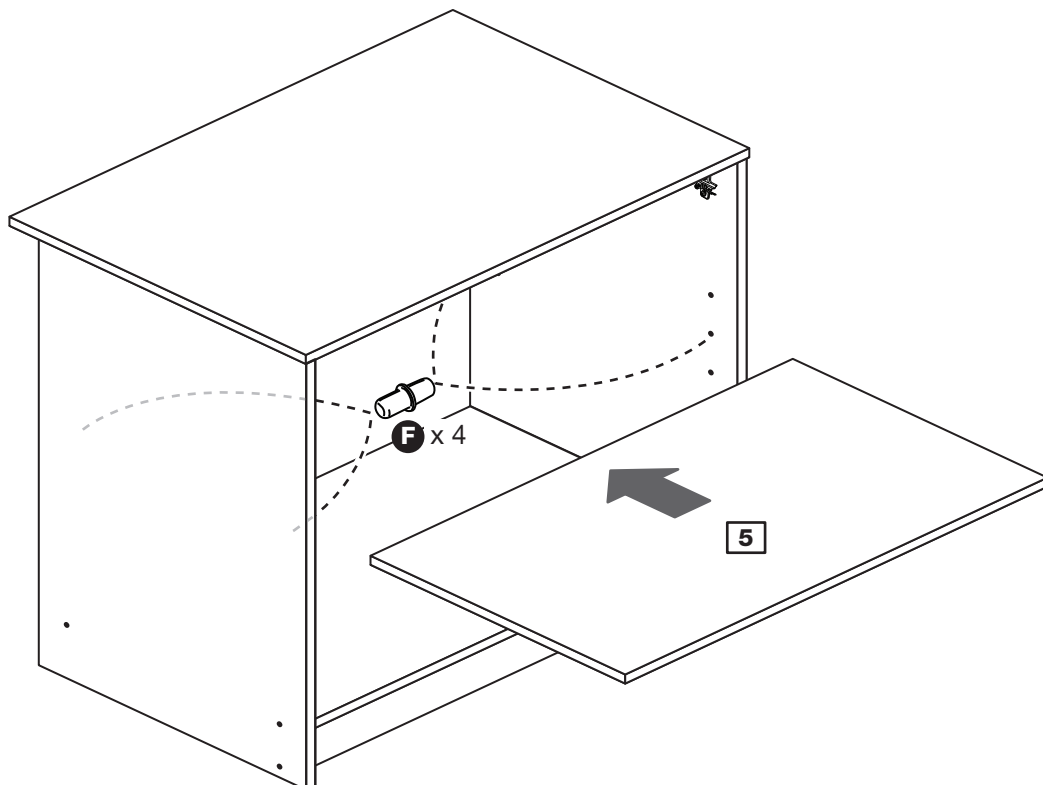
# Assembly Instructions

## Step 10

### Fit the shelf

Insert 4 shelf studs **F** at the required height.

Lower the shelf **5** down onto the shelf studs **F**.



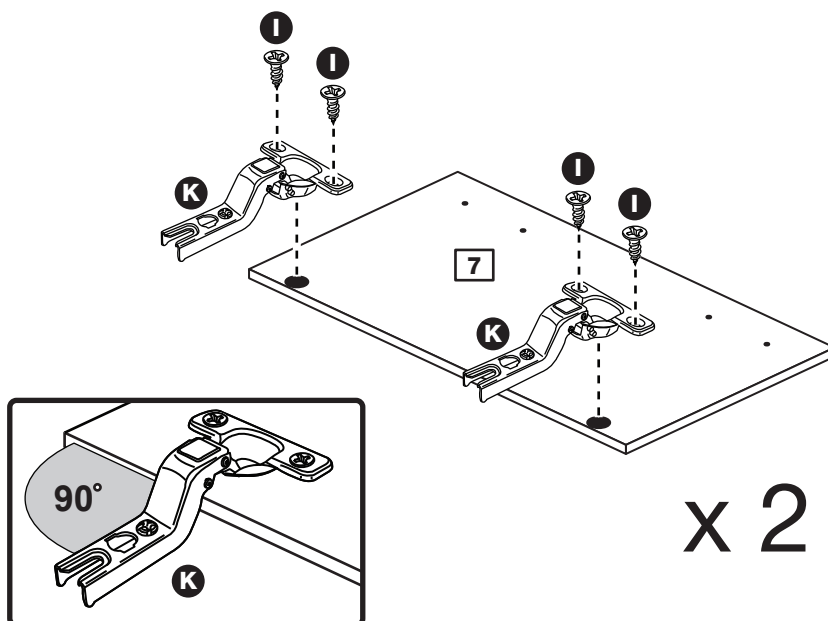
## Step 11

### Prepare the doors

Push fit 2 hinges **K** into each of the doors **7**.

Secure each hinge with 2 screws **I**.

**Note:** Before securing with the screws, make sure that the hinges are positioned at 90 degrees with the edge of the door.



# Assembly Instructions

## Step 12

### Drill the handle hole in the doors

**Important:** Please follow these instructions carefully.

Lay the door **7** down onto a smooth surface.

**Important:** Carefully choose which hole you need to drill.

Check that the holes and hinge plates are in the same place as the diagrams.

**Note:** We recommend the use of a small piece of waste wood, placed behind the hole while drilling, to reduce the possibility of any breakout.

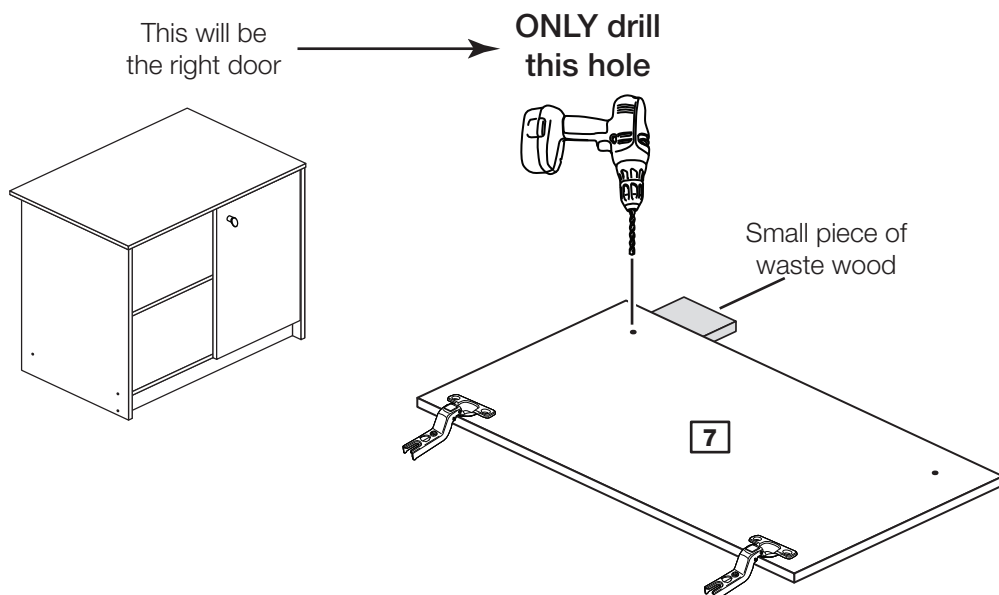
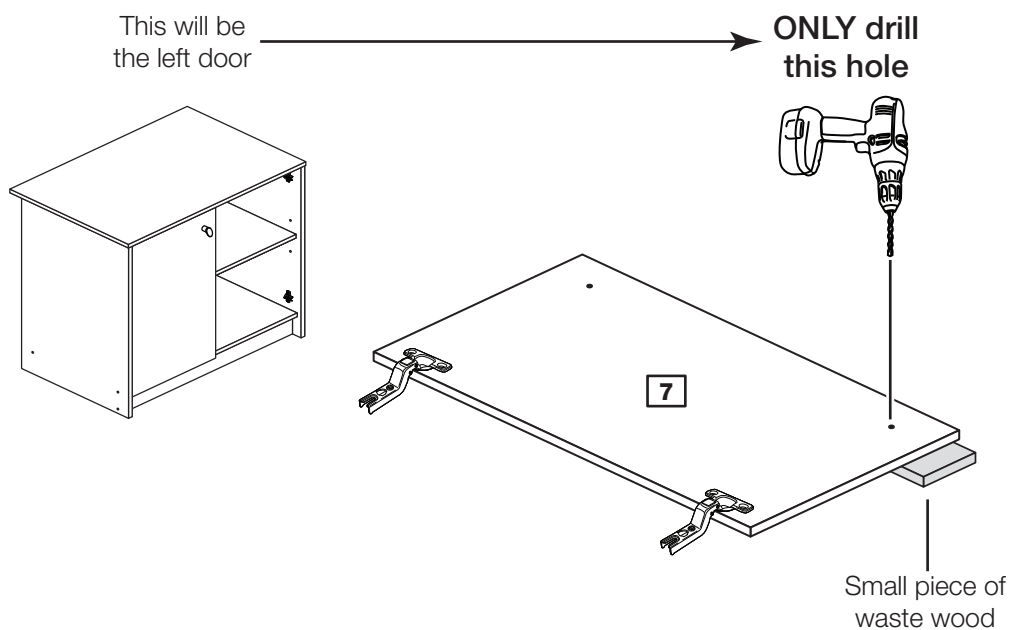
Using the pilot hole in the rear face of the door, **7** drill through the hole indicated opposite, using a 2.5mm diameter drill.

Turn the door **7** over and open out the 2.5mm hole that you have just drilled by drilling back through it with a 5mm drill.

**Note:** Drill bits are not provided.

### IMPORTANT

Carefully choose which hole you will need to drill



# Assembly Instructions

## Step 13

### Fit doors and handles

**Note:** The easiest way to attach each door **7** is to fit the top hinge first, then align and fit the other hinges.

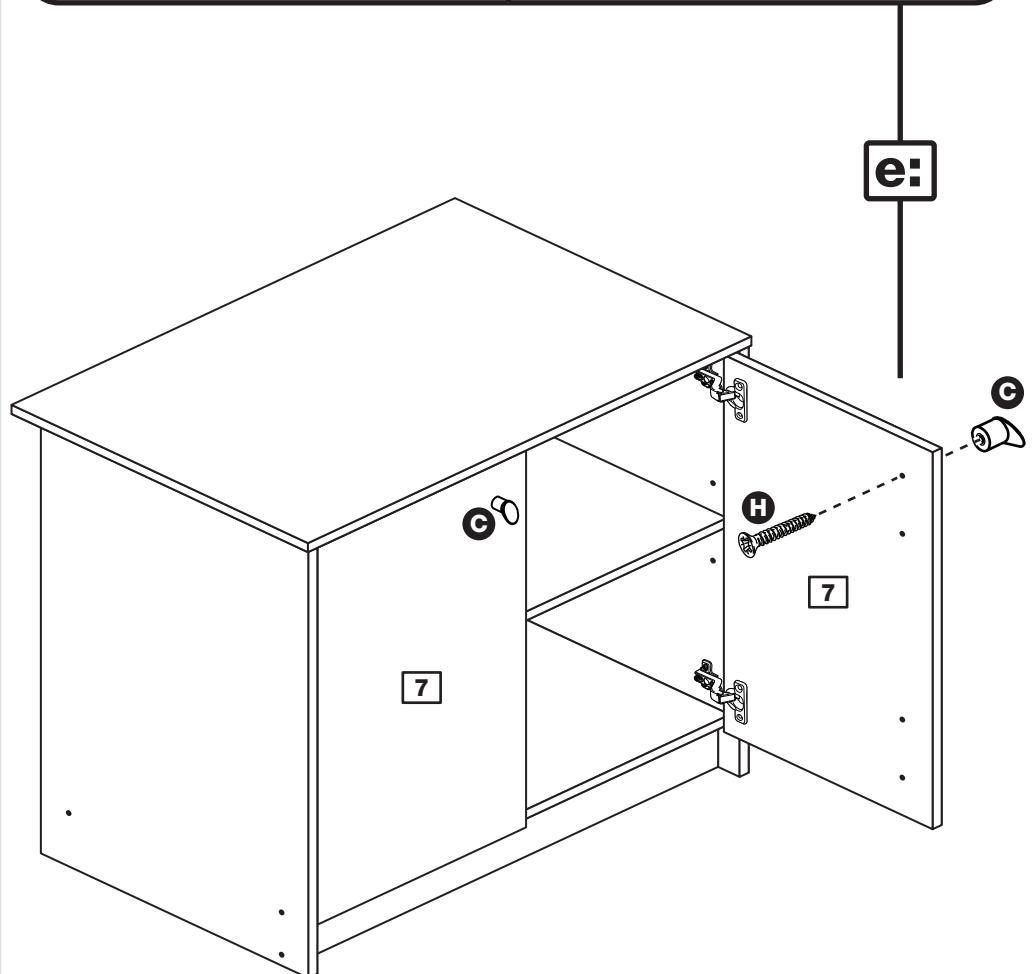
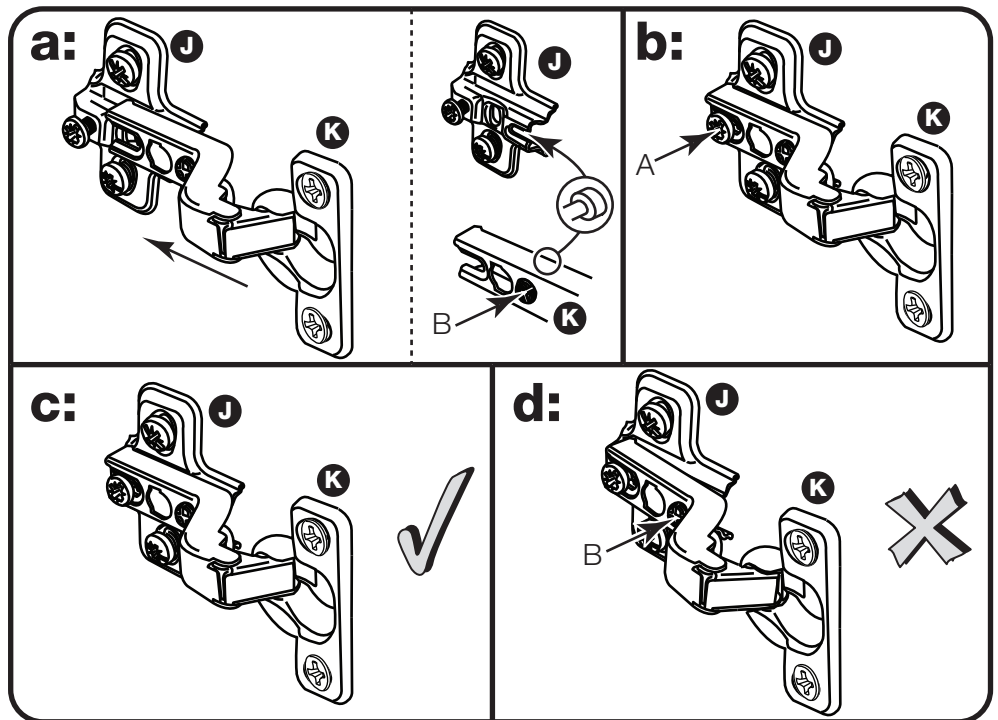
**a:** Push the hinge **K** onto the front part of the hinge plate **J**. The recess at the bottom of screw B goes into the slot in the hinge plate.

**b:** Keep the hinge **K** FLAT against the hinge plate **J** as you slide it across as far as it will go. Tighten screw A.

**c:** The hinge **K** must be flat against the hinge plate **J** prior to any adjustment.

**d:** The hinge **K** must NOT be AT AN ANGLE to the hinge plate **J** when assembled. This would indicate that the recess at the bottom of screw B had not located in the slot in the hinge plate and the hinge would not be secure. Remove the hinge from the hinge plate and then re-assemble being careful to follow instructions a-c.

**e:** Attach a handle **C** to each door **7** using screw **H**.



# Assembly Instructions

## Step 14

### Adjust the doors if needed

**a:** Before adjusting the doors, use a spirit level to check the base (or top) of the unit is level, front-to-back and side-to-side in the 3 positions shown. Use suitable packing pieces (not supplied) to make the unit level BEFORE making any adjustment to the hinges, as shown.

### **b:** Height adjustment.

Loosen screws A on hinge plates and move door up or down as required. Retighten screw A.

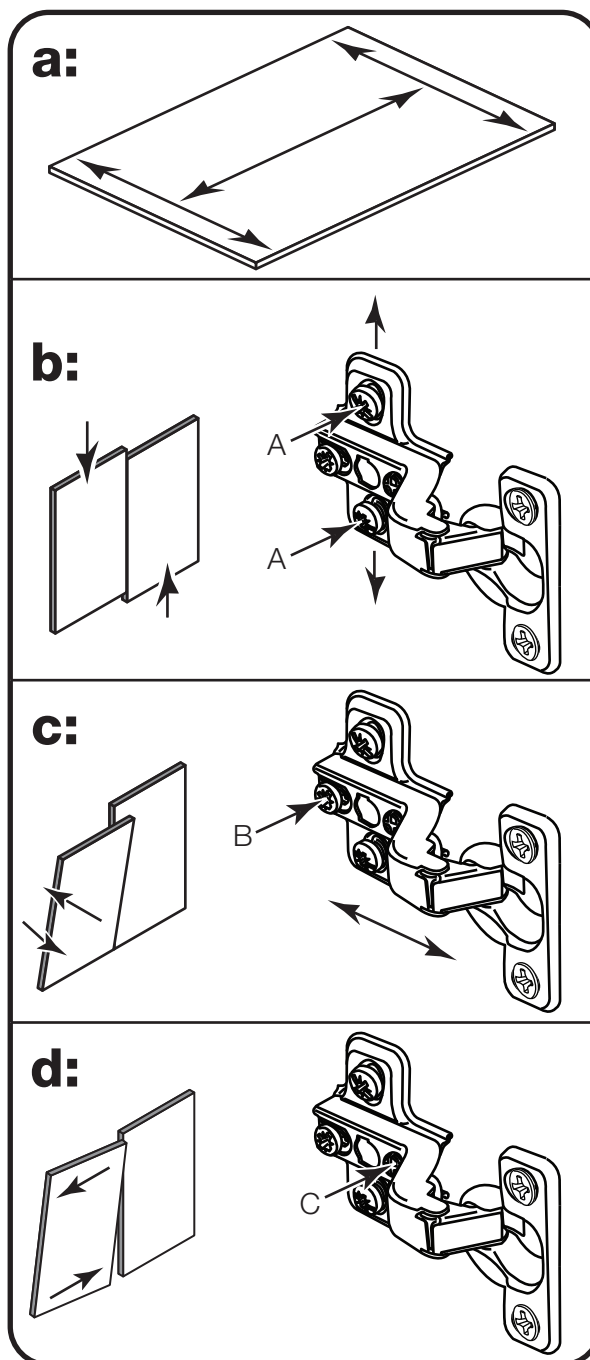
### **c:** Forward and Back adjustment.

Loosen screw B on hinge plate and move door in or out as required. Retighten screw B.

### **d:** Sideways adjustment.

To move door 'out' loosen screw C. To move door 'in' tighten screw C.

**Assembly is complete**



If you need help or have damaged or missing parts, call the Customer Helpline: 08456 400800 and quote the reference numbers on the component pages.

Argos Ltd, 489-499 Avebury Boulevard, Central Milton Keynes, MK9 2NW