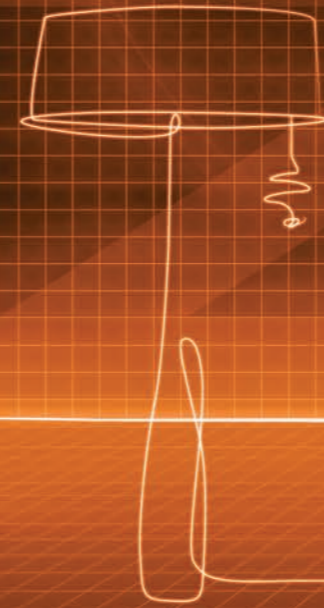


ZR7

ASSEMBLY GUIDE



Reebok

V1

Reebok

reebokfittnessequipment.com/productsupport

01

Images for illustration purposes only



02



03



04



05



06



07



Images for illustration purposes only



Images for illustration purposes only



Images for illustration purposes only

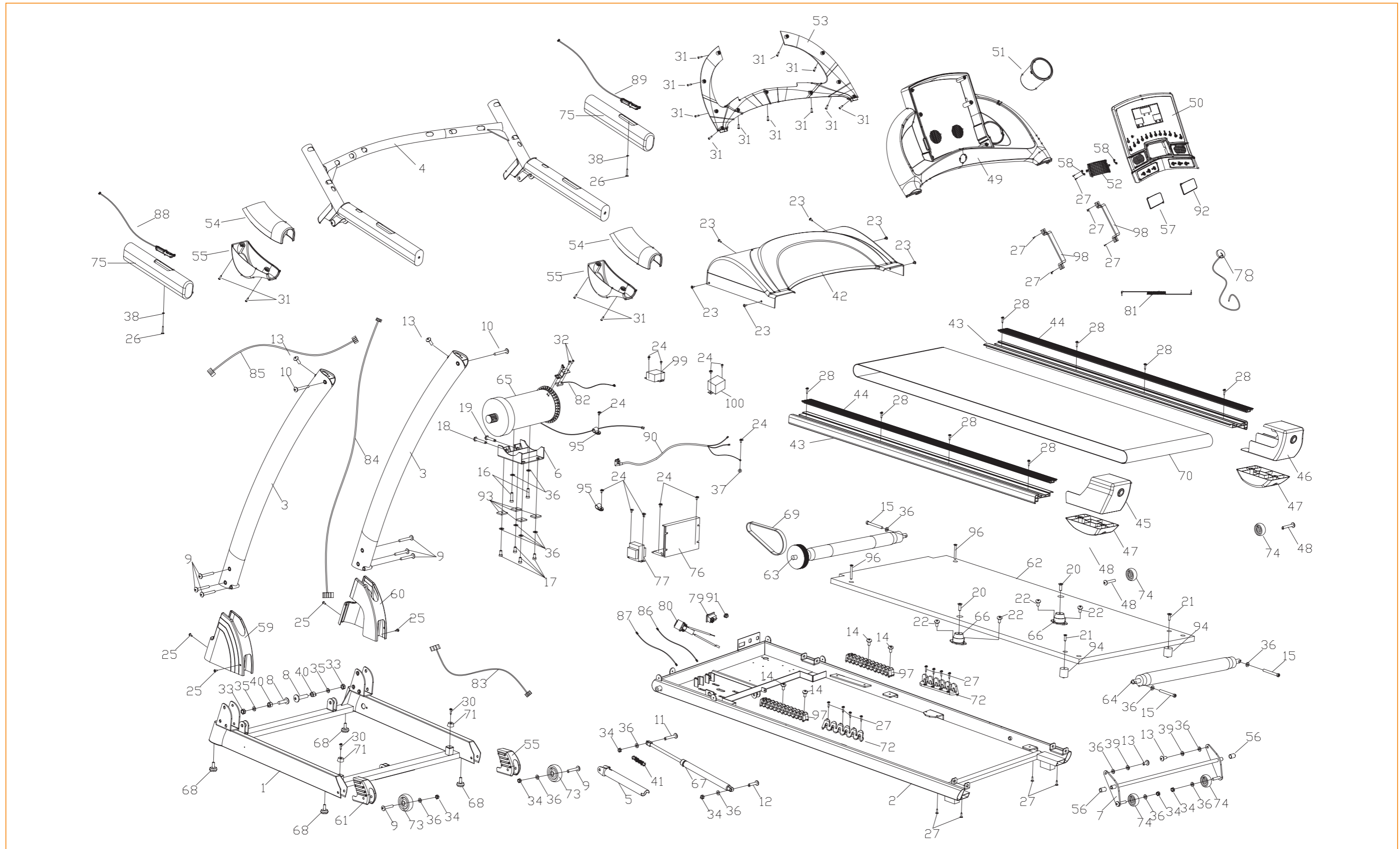
23



24



Images for illustration purposes only



Part	Name	QTY	Part	Name	QTY
1	Base frame welding	1	28	Cross bolt ST4*15	12
2	Main frame welding	1	29	Cross bolt ST4*12	8
3	Incline frame welding	1	30	Cross bolt ST4*15	2
4	Upright post welding	2	31	Cross bolt ST4*16	21
5	Feet pad welding	1	32	Cross bolt ST3*10	2
6	Console welding	1	33	Nut M10	2
7	Manual Incline welding	1	34	Nut M8	6
8	Hex bolt M12*Ø14*35*19	2	35	Flat washer Ø10	2
9	Inner hex bolt M8*50*20	8	36	Flat washer Ø8	17
10	Inner hex bolt M8*45*20	2	37	Washer Ø5	1
11	Inner hex bolt 8*40*20	1	38	Flat washer Ø4.5x Ø12x1.0	2
12	Inner hex bolt M8*30*20	1	39	Spring washer Ø8	2
13	Inner hex bolt M8x20 (black)	2	40	Power metallurgy cover Ø17*Ø10*12	2
14	Cross bolt M6x20 (black)	2	41	Spring	1
15	Inner hex bolt M8x75	3	42	Motor cover	1
16	Inner hex bolt M8x30	2	43	Side rail	2
17	Cross bolt M8x15	4	44	Centre side rail	2
18	Outside hex bolt M8x75	1	45	Rear cover (left)	1
19	Outside hex bolt M8x65	1	46	Rear cover (right)	1
20	Cross bolt M8*25	2	47	Rear cover feet pad	2
21	Cross bolt M6*25	2	48	Inner hex bolt M8*30	2
22	Cross bolt M6*10	6	49	Computer cover	1
23	Cross bolt M5*10	4	50	Big over lay	1
24	Cross bolt M4*10	6	51	Bottle holder	1
25	Cross bolt ST4*20	4	52	Air outlet	1
26	Cross bolt ST4*40	2	53	Back cover	1
27	Cross bolt ST4*16	34	54	Handle bar cover (up)	2

Part	Name	QTY	Part	Name	QTY
55	Handle bar cover (down)	2	82	Inductor	1
56	Round bushing	2	83	Wire L1	1
57	Air outlet cover (left)	1	84	Wire L2	1
58	Arched plate	2	85	Wire L3	1
59	Base frame cover (left)	1	86	Power supply connect wire (red)	1
60	Base frame cover (right)	1	87	Power supply connect wire (black)	1
61	Uncork stuff	2	88	Speed wire and handle pulse wire set	1
62	Running board	1	89	Start and stop wire and handle pulse wire set	1
63	Rear roller	1	90	Power supply wire	1
64	Back roller	1	91	Wire buckle	1
65	Motor	1	92	Air outlet cover (right)	1
66	Cushion with seat	2	93	Square cushion	4
67	Cylinder	1	94	Column cushion	2
68	Taper feet pad	4	95	Wire nip	1
69	Motor belt	1	96	Cross bolt M6*65	2
70	Running belt	1	97	Cushion	2
71	Taper feet pad	2	98	Fix board for air outlet	2
72	Decorate pieces	4	99	Filter	1
73	Wheel Ø62xØ8.0x122	2	100	Chock	1
74	Wheel Ø46xØ8.0x18.5	2	999	Hardware kit	1
75	Foam	2	999-A	T-Allen wrench 6*80	1
76	Controller	1	999-B	Cross allen wrench 14*17*75	1
77	Transformer	1	999-C	Inner hex half thread bolt M8*50*20	4
78	Safety key	1	999-D	Inner hex half thread bolt M8*20	2
79	Switch	1	999-E	Cross bolt ST4*20	4
80	Fuse seat with wire	1			
81	MP3 connect wire	1			

