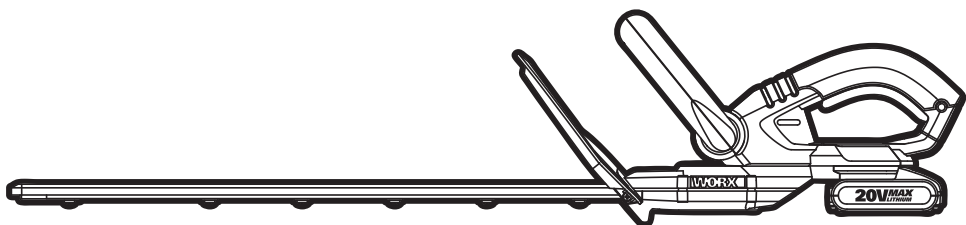


# **WORX**



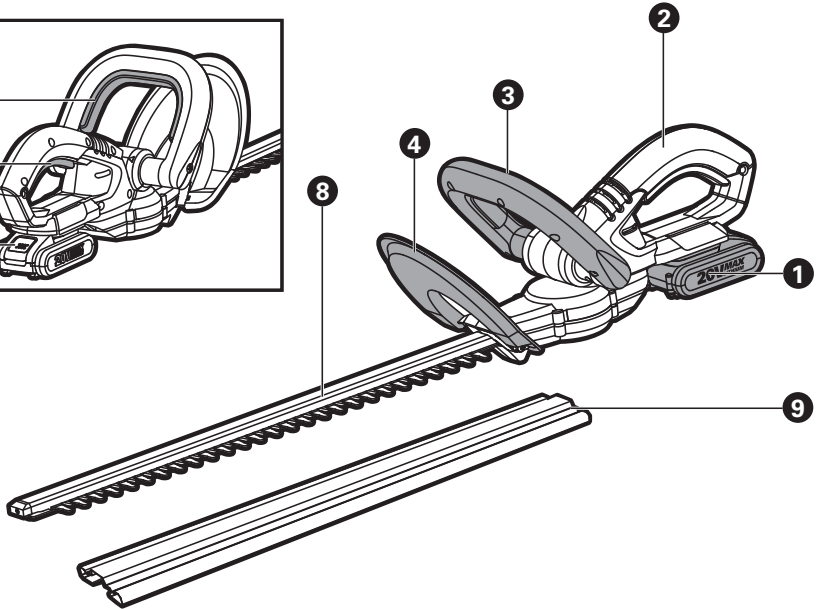
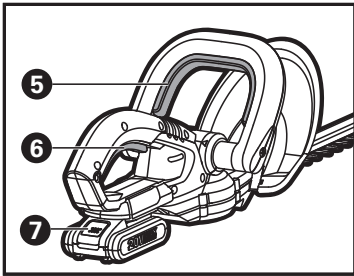
**20V<sup>MAX</sup>**  
**LITHIUM**

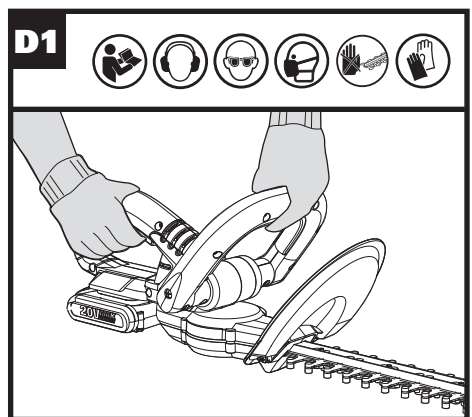
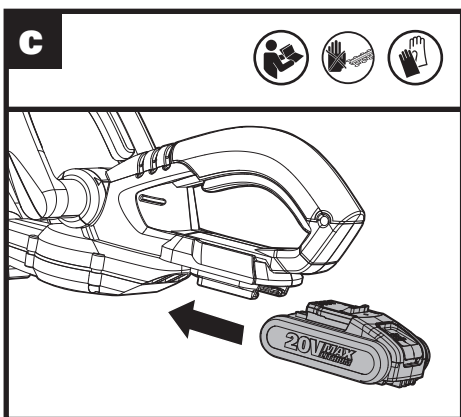
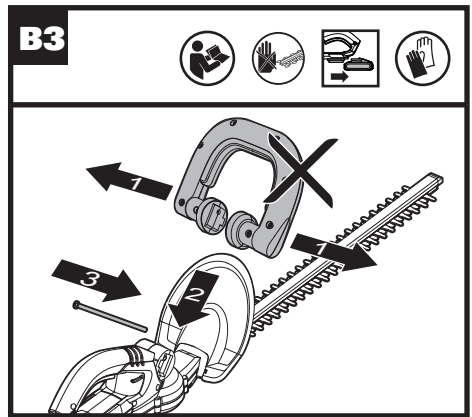
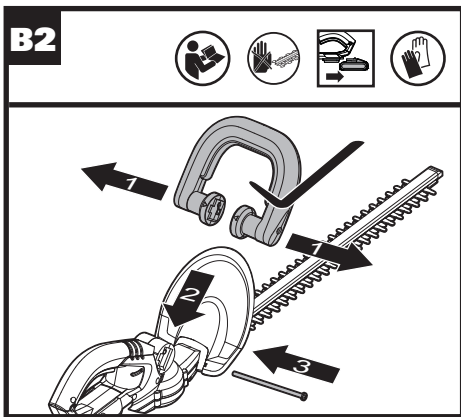
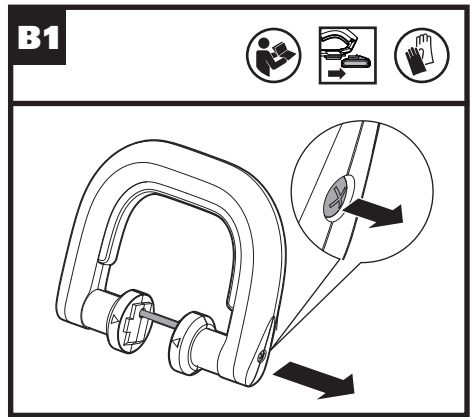
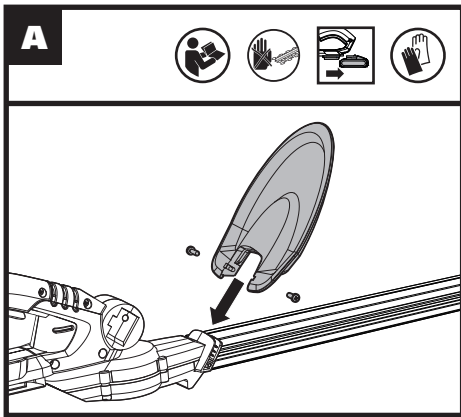
## **SAFETY AND OPERATING MANUAL**

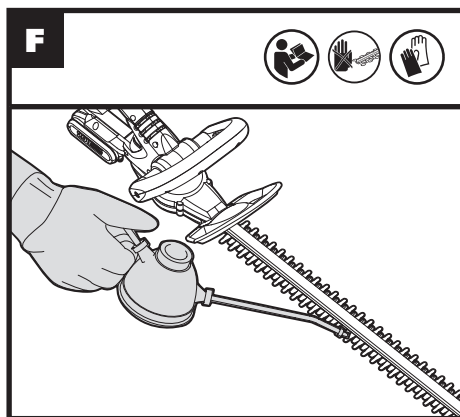
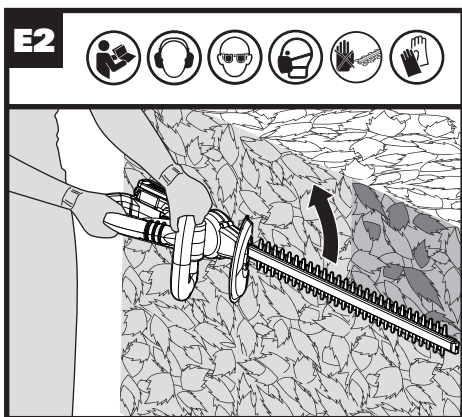
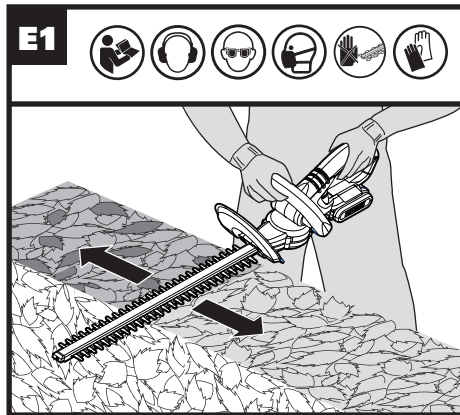
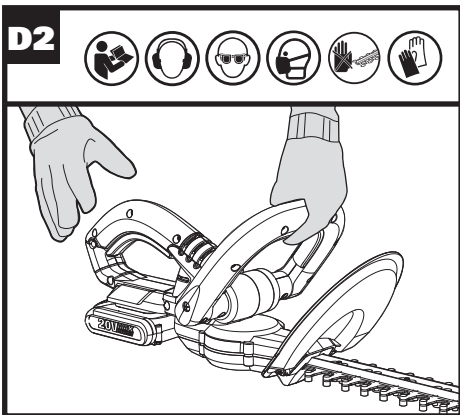
### **ORIGINAL INSTRUCTIONS**

**Cordless Hedge Trimmer**  
**WG259E WG259E.5 WG259E.9 WG260E WG260E.9**









**1. BATTERY PACK\***

**2. REAR HANDLE**

**3. FRONT HANDLE**

**4. SAFETY GUARD**

**5. FRONT SWITCH LEVER (ALL AROUND SWITCH FUNCTION)**

**6. REAR SWITCH LEVER**

**7. BATTERY PACK RELEASE LATCH**


**8. BLADE**

**9. BLADE SHEATH\***

**\* Not all the accessories illustrated or described are included in standard delivery.**

## TECHNICAL DATA

Type **WG259E WG259E.5 WG259E.9 WG260E WG260E.9 (230-269- designation of machinery, representative of cordless hedge trimmer)**

	<b>WG259E</b>	<b>WG259E.5</b>	<b>WG259E.9</b>	<b>WG260E</b>	<b>WG260E.9</b>
6 Power	20V  Max** Lithium				
No load speed	2200/min				
Max.cutting length	52cm			61cm	
Max.cutting diameter	14mm			19mm	
Charging time	5hr approx.	1hr approx.	/	5hr approx.	/
Machine weight	2.5kg	2.5kg	2.1kg	2.5kg	2.1kg

\*\*Voltage measured without workload. Initial battery voltage reaches maximum of 20 volts.  
Nominal voltage is 18 volts.

## NOISE INFORMATION

A weighted sound pressure  $L_{pA}$ : 77dB(A)

A weighted sound power  $L_{WA}$ : 90dB(A)

$K_{pA}$  3.0dB(A)

Wear ear protection when sound pressure is over 80dB(A)



**Cordless Hedge Trimmer**  
**WG259E WG259E.5 WG259E.9 WG260E WG260E.9**


# VIBRATION INFORMATION

Vibration total values (triax vector sum) determined according to EN 60745:

Vibration emission value  $a_{hv}=2.2m/s^2$

Uncertainty  $K = 1.5m/s^2$

The declared vibration total value may be used for comparing one tool with another, and may also be used in a preliminary assessment of exposure.

 **WARNING:** The vibration emission value during actual use of the power tool can differ from the declared value depending on the ways in which the tool is used dependant on the following examples and other variations on how the tool is used:

How the tool is used and the materials being cut or drilled.


The tool being in good condition and well maintained

The use the correct accessory for the tool and ensuring it is sharp and in good condition.

The tightness of the grip on the handles and if any anti vibration accessories are used.

And the tool is being used as intended by its design and these instructions.

**This tool may cause hand-arm vibration syndrome if its use is not adequately managed.**

 **WARNING:** To be accurate, an estimation of exposure level in the actual conditions of use should also take account of all parts of the operating cycle such as the times when the tool is switched off and when it is running idle but not actually doing the job. This may significantly reduce the exposure level over the total working period.

Helping to minimize your vibration exposure risk.

ALWAYS use sharp chisels, drills and blades.

Maintain this tool in accordance with these instructions and keep well lubricated (where appropriate).

If the tool is to be used regularly then invest in anti vibration accessories.

Avoid using tools in temperatures of 10°C or less.

Plan your work schedule to spread any high vibration tool use across a number of days.

## ACCESSORIES

	WG259E	WG259E.5	WG259E.9	WG260E	WG260E.9
Blade sheath	1	1	1	1	1
Safety guard	1	1	1	1	1
Charger	1 (WA3760)	1 (WA3860)	/	1 (WA3760)	/
Battery pack	1 (WA3551.1)	1 (WA3551.1)	/	1(WA3551)	/

We recommend that you purchase your accessories from the same store that sold you the tool. Refer to the accessory packaging for further details. Store personnel can assist you and offer advice.

**Cordless Hedge Trimmer**  
**WG259E WG259E.5 WG259E.9 WG260E WG260E.9**

# PRODUCT SAFETY

## GENERAL POWER TOOL SAFETY WARNINGS



**WARNING: Read all safety warnings and all instructions.**

Failure to follow the warnings and instructions may result in electric shock, fire and/or serious injury.

**Save all warnings and instructions for future reference.**

The term "power tool" in the warnings refers to your mains-operated (corded) power tool or battery-operated (cordless) power tool.

### 1) WORK AREA SAFETY

- a) **Keep work area clean and well lit.**  
Cluttered or dark areas invite accidents.
- b) **Do not operate power tools in explosive atmospheres, such as in the presence of flammable liquids, gases or dust.** Power tools create sparks which may ignite the dust or fumes.
- c) **Keep children and bystanders away while operating a power tool.**  
Distractions can cause you to lose control.

### 2) ELECTRICAL SAFETY

- a) **Power tool plugs must match the outlet. Never modify the plug in any way. Do not use any adapter plugs with earthed (grounded) power tools.**  
Unmodified plugs and matching outlets will reduce risk of electric shock.
- b) **Avoid body contact with earthed or grounded surfaces, such as pipes, radiators, ranges and refrigerators.**  
There is an increased risk of electric shock if your body is earthed or grounded.
- c) **Do not expose power tools to rain or wet conditions.** Water entering a power tool will increase the risk of electric shock.
- d) **Do not abuse the cord. Never use the cord for carrying, pulling or unplugging the power tool. Keep cord away from heat, oil, sharp edges or moving parts.** Damaged or entangled cords increase the risk of electric shock.

- e) **When operating a power tool outdoors, use an extension cord suitable for outdoor use.** Use of a cord suitable for outdoor use reduces the risk of electric shock.
- f) **If operating a power tool in a damp location is unavoidable, use a residual current device (RCD) protected supply.** Use of an RCD reduces the risk of electric shock.

### 3) PERSONAL SAFETY

- a) **Stay alert, watch what you are doing and use common sense when operating a power tool. Do not use a power tool while you are tired or under the influence of drugs, alcohol or medication.** A moment of inattention while operating power tools may result in serious personal injury.
- b) **Use personal protective equipment. Always wear eye protection.**  
Protective equipment such as dust mask, non-skid safety shoes, hard hat, or hearing protection used for appropriate conditions will reduce personal injuries.
- c) **Prevent unintentional starting. Ensure the switch is in the off-position before connecting to power source and/or battery pack, picking up or carrying the tool.** Carrying power tools with your finger on the switch or energising power tools that have the switch on invites accidents.
- d) **Remove any adjusting key or wrench before turning the power tool on.** A wrench or a key left attached to a rotating part of the power tool may result in personal injury.
- e) **Do not overreach. Keep proper footing and balance at all times.** This enables better control of the power tool in unexpected situations.
- f) **Dress properly. Do not wear loose clothing or jewellery. Keep your hair, clothing and gloves away from moving parts.** Loose clothes, jewellery or long hair can be caught in moving parts.
- g) **If devices are provided for the connection of dust extraction and**

# Cordless Hedge Trimmer

# WG259E WG259E.5 WG259E.9 WG260E WG260E.9



**collection facilities, ensure these are connected and properly used.** Use of dust collection can reduce dust-related hazards.

#### **4) POWER TOOL USE AND CARE**

- a) Do not force the power tool. Use the correct power tool for your application.** The correct power tool will do the job better and safer at the rate for which it was designed.
- b) Do not use the power tool if the switch does not turn it on and off.** Any power tool that cannot be controlled with the switch is dangerous and must be repaired.
- c) Disconnect the plug from the power source and/or the battery pack from the power tool before making any adjustments, changing accessories, or storing power tools.** Such preventive safety measures reduce the risk of starting the power tool accidentally.
- d) Store idle power tools out of the reach of children and do not allow persons unfamiliar with the power tool or these instructions to operate the power tool.** Power tools are dangerous in the hands of untrained users.
- e) Maintain power tools. Check for misalignment or binding of moving parts, breakage of parts and any other condition that may affect the power tool's operation. If damaged, have the power tool repaired before use.** Many accidents are caused by poorly maintained power tools.
- f) Keep cutting tools sharp and clean.** Properly maintained cutting tools with sharp cutting edges are less likely to bind and are easier to control.
- g) Use the power tool, accessories and tool bits etc. in accordance with these instructions, taking into account the working conditions and the work to be performed.** Use of the power tool for operations different from those intended could result in a hazardous

situation.

#### **5) BATTERY TOOL USE AND CARE**

- a) Recharge only with the charger specified by the manufacturer.** A charger that is suitable for one type of battery pack may create a risk of fire when used with another battery pack.
- b) Use power tools only with specifically designated battery packs.** Use of any other battery packs may create a risk of injury and fire.
- c) When battery pack is not in use, keep it away from other metal objects, like paper clips, coins, keys, nails, screws or other small metal objects, that can make a connection from one terminal to another.** Shorting the battery terminals together may cause burns or a fire.
- d) Under abusive conditions, liquid may be ejected from the battery; avoid contact. If contact accidentally occurs, flush with water. If liquid contacts eyes, additionally seek medical help.** Liquid ejected from the battery may cause irritation or burns.

#### **6) SERVICE**

- a) Have your power tool serviced by a qualified repair person using only identical replacement parts.** This will ensure that the safety of the power tool is maintained.

## **HEDGE TRIMMER SAFETY WARNINGS**

- 1. Keep all parts of the body away from the cutter blade. Do not remove cut material or hold material to be cut when blades are moving. Make sure the switch is off when clearing jammed material.** A moment of inattention while operating the hedge trimmer may result in serious personal injury.
- 2. Carry the hedge trimmer by the handle with the cutter blade stopped.**

**When transporting or storing the hedge trimmer always fit the cutting device cover.** Proper handling of the hedge trimmer will reduce possible personal injury from the cutter blades.

- 3. Hold the power tool by insulated gripping surfaces only, because the cutter blade may contact hidden wiring.** Cutter blades contacting a "live" wire may make exposed metal parts of the power tool "live" and could give the operator an electric shock.
- 4. Check the hedge for foreign objects, e.g. wire fences.**
- 5. Use both hands when operating the hedge trimmer.** Using one hand could cause loss of control and result in serious personal injury.












## **SAFETY WARNINGS FOR BATTERY PACK**

- a) Do not dismantle, open or shred cells or battery pack.**
- b) Do not short-circuit a battery pack. Do not store battery packs haphazardly in a box or drawer where they may short-circuit each other or be short-circuited by conductive materials.** When battery pack is not in use, keep it away from other metal objects, like paper clips, coins, keys, nails, screws or other small metal objects, that can make a connection from one terminal to another. Shorting the battery terminals together may cause burns or a fire.
- c) Do not expose battery pack to heat or fire. Avoid storage in direct sunlight.**
- d) Do not subject battery pack to mechanical shock.**
- e) In the event of battery leaking, do not allow the liquid to come into contact with the skin or eyes. If contact has been made, wash the affected area with copious amounts of water and seek medical advice.**
- f) Seek medical advice immediately if a cell or battery pack has been**

**swallowed.**

- g) Keep battery pack clean and dry.**
- h) Wipe the battery pack terminals with a clean dry cloth if they become dirty.**
- i) Battery pack needs to be charged before use. Always refer to this instruction and use the correct charging procedure.**
- j) Do not maintain battery pack on charge when not in use.**
- k) After extended periods of storage, it may be necessary to charge and discharge the battery pack several times to obtain maximum performance.**
- l) Battery pack gives its best performance when it is operated at normal room temperature (20°C ± 5°C).**
- m) When disposing of battery packs, keep battery packs of different electrochemical systems separate from each other.**
- n) Recharge only with the charger specified by WORX. Do not use any charger other than that specifically provided for use with the equipment.** A charger that is suitable for one type of battery pack may create a risk of fire when used with another battery pack.
- o) Do not use any battery pack which is not designed for use with the equipment.**
- p) Keep battery pack out of the reach of children.**
- q) Retain the original product literature for future reference.**
- r) Remove the battery from the equipment when not in use.**
- s) Dispose of properly.**

## SYMBOLS


	Warning
	To reduce the risk of injury, user must read instruction manual
	Wear ear protection
	Wear eye protection
	Wear dust mask
	Keep hands away
	Remove battery from the socket before carrying out any adjustment, servicing or maintenance.
 Li-Ion	Do not dispose of batteries. Return exhausted batteries to your local collection or recycling point.
	Do not expose to rain
	Do not expose to rain or water
	Do not burn



Waste electrical products must not be disposed of with household waste. Please recycle where facilities exist. Check with your local authorities or retailer for recycling advice.


**xINR18/65-y:** Cylindrical lithium Ion battery cells with max diameter of 18mm and max height of 65mm; “x” represents a number cells serial connected, blank if 1; “-y” represents a number of cells paralleled connected, blank if 1

## OPERATING INSTRUCTIONS

 **NOTE:** Before using the tool, read the instruction book carefully.


### INTENDED USE

The machine is intended for cutting and trimming hedges and bushes in domestic use.

 **WARNING! Do not use the product without attaching the guard and front handle.**

### ASSEMBLY & OPERATION

ACTION	FIGURE
<b>ASSEMBLY</b>	
Assembling the safe guard	See Fig. A
Assembling the Front Handle <b>NOTE:</b> Handle screws need to face the safety guard. If front handle is assembled backwards, tool will not power on.	See Fig. B1, B2, B3
Installing and Removing the battery pack	See Fig. C
Charging the battery pack Your battery pack is UNCHARGED, you must charge before use. More details can be found in WA3760 (for WG259E WG260E) or WA3860 (for WG259E.5) manual	

<b>OPERATION</b>	
Starting and stopping	See Fig. D1, D2
Top cutting  <b>WARNING:</b> If any parts are missing, damaged or broken, do not operate your hedge trimmer until all damaged parts have been replaced or repaired. Failure to do so could result in serious personal injury. DO NOT USE WITHOUT FRONT HANDLE AND SAFETY GUARD.	See Fig. E1
Side cutting	See Fig. E2
Lubricating the Cutting Blade <b>NOTE:</b> It is important to use only the recommended standard lubricating oil (WD-40) to avoid damage to the blade.	See Fig. F

## TOP CUTTING

Use a wide sweeping motion (See Fig. E1). A slight downward tilt of the cutting blades in the direction of motion gives the best cutting results.

## SIDE CUTTING

When trimming the sides of the hedge, begin at the bottom and cut upwards (See Fig. E2), tapering the hedge inward at the top. This shape will expose more of the hedge, resulting in a more uniformed growth.

## MAINTENANCE

### Remove battery before carrying out any adjustment, servicing or maintenance.

There are no user serviceable parts in your power tool. Never use water or chemical cleaners to clean your power tool. Wipe clean with a dry cloth. Always store your power tool in a dry place. Keep the motor ventilation slots clean. Keep all working controls free of dust.

## HOW TO USE YOUR HEDGE TRIMMER

Note that the front switch lever can be activated on three sides, giving you many choices for a comfortable grip. Before cutting an area, inspect it first and remove any foreign objects that could become thrown or entangled in the blades. Always hold the trimmer with both hands and with the blade away from you before turning it on. When trimming new growth, use a wide sweeping action so that the stems are fed directly into the blade. (See Fig. E1& E2) Allow the cutting blades to reach full speed before cutting. When operating, keep the cutting blades away from people and objects such as walls, large stones, trees, vehicles, etc. If the blade stalls, immediately stop the trimmer. Release the two Switch Levels (5 & 6) before attempting to clear jammed debris from the cutting blades. Wear gloves when trimming thorny or prickly growth. Do not attempt to cut stems that are too thick for the cutting blade.

## ENVIRONMENTAL PROTECTION



Waste electrical products must not be disposed of with household waste.

■ Please recycle where facilities exist. Check with your local authorities or retailer for recycling advice.

# DECLARATION OF CONFORMITY

We,  
Positec PowerTools (Europe) Ltd,  
PO Box 6242, Newbury, RG14 9LT, UK

Declare that the product,  
Description **WORX Cordless Hedge Trimmer**  
Type **WG259E WG259E.5 WG259E.9**  
**WG260E WG260E.9 (230-269-**  
**designation of machinery, representative**  
**of cordless hedge trimmer)**  
Function **Trimming hedges and brushes**

Complies with the following Directives,  
**2006/42/EC, 2014/30/EU, 2011/65/EU,**  
**2000/14/EC amended by 2005/88/EC**

2000/14/EC amended by 2005/88/EC:  
- Conformity Assessment Procedure as per  
**Annex V**  
- Measured Sound Power Level **87.1dB(A)**  
- Declared Guaranteed Sound Power Level  
**90dB(A)**

Standards conform to,  
**EN 60745-1**                    **EN 60745-2-15**  
**EN ISO 3744**                **EN 55014-1**  
**EN 55014-2**

The person authorized to compile the  
technical file,  
**Name Russell Nicholson**  
**Address Positec Power Tools (Europe)**  
**Ltd, PO Box 6242, Newbury, RG14 9LT,**  
**UK**



Suzhou 2016/12/6  
Allen Ding  
Deputy Chief Engineer, Testing & Certification

Warning for WG259E WG259E.5 WG260E:

## LITHIUM ION BATTERY

Handle with care.  
Do not load or transport package if Damaged.  
A fire hazard could exist.  
For more information ,call:+86-512-65152811







#### **After-sales Service and Application**

At [www.worx.com](http://www.worx.com) you can order spare parts or arrange the collection of a product in need of servicing or repair.

Tel. Service: 0345 202 9679

E-Mail: [customerservices@worxtools.com](mailto:customerservices@worxtools.com)

**[www.worx.com](http://www.worx.com)**

Copyright © 2017, Positec. All Rights Reserved.

AR01238101