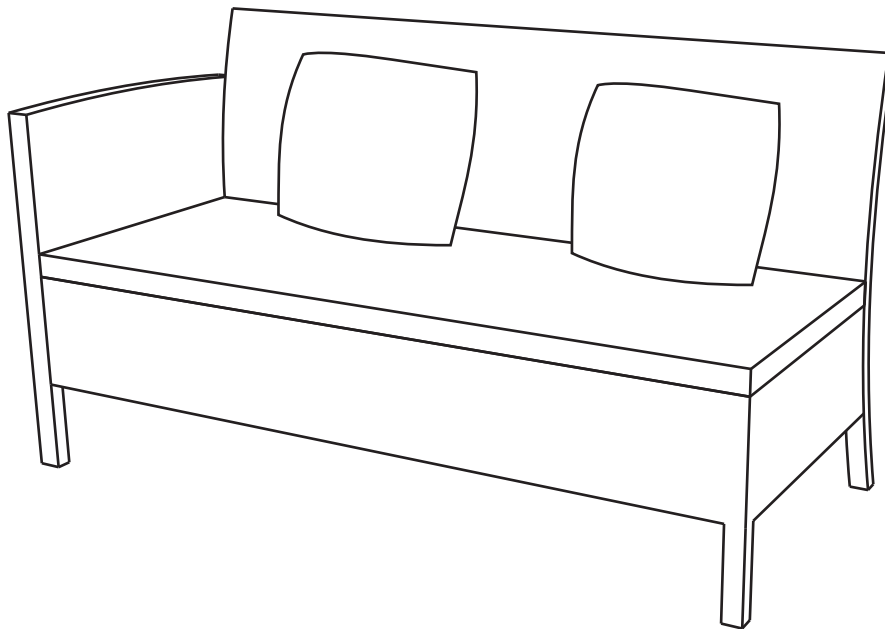


WOW Corner Dining Set - Single Armrest Sofa

Assembly Instructions - Please keep for future reference

619/4116



Dimensions

Width - 134 cm

Depth - 60cm

Height -75cm



Important:

Do not fully tighten all screws until assembly is complete.

Important Please read these instructions fully before starting assembly

If you need help or have damaged or missing parts, call the Customer Helpline: 0345 640 0800

For further assistance please visit <http://www.argos.support.co.uk/>

Retailer: Argos

Address: 489-499 Avebury Boulevard Saxon Gate West, Central Milton Keynes Bucks, MK9, 2NW



Safety and Care Advice

Important - Please read these instructions fully before starting assembly

- Check you have all the components and tools listed on pages 2.

- Remove all fittings from the plastic bags and separate them into their groups.

- Keep children and animals away from the work area, small parts could choke if swallowed.

- Make sure you have enough space to layout the parts before starting.

- Do not stand or put weight on the product during assembly, this could cause damage.

- Assemble the item as close to its final position (in the same room) as possible.

- Assemble on a soft level surface to avoid damaging the chair or your floor

- Parts of the assembly will be easier with 2 people.



- We do not recommend the use of power drill/drivers for inserting screws, as this could damage the unit. Only use hand screwdrivers.

- Dispose of all packaging carefully and responsibly.

- Maximum safe seated weight: 220kgs.

Care and maintenance

- Only clean using a damp cloth and mild detergent, do not use bleach or abrasive cleaners.

- Make sure each studs matches the corresponding figure to ensure correct assembly.

- From time to time check that there are no loose nuts on this chair.

- Assemble all parts and nuts loosely during assembly, only once the product is complete should you fully tighten the nuts.

- This product should not be discarded with household waste. Take to your local authority waste disposal centre.

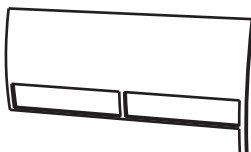
Components-Parts

If you have damaged or missing components, call the Customer Helpline: 0345 640 0800
For further assistance please visit <http://www.argos.support.co.uk/>

Please check you have all the parts listed below



1 Seat x 1



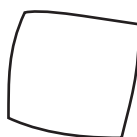
2 Back x 1



3 Armrest x 1



4 Seat Cushion x 1







5 Pillow x 2

Components-Fittings

Please check you have all the fittings listed below

Note: The quantities below are the correct amount to complete the assembly. In some cases more fittings may be supplied than are required.

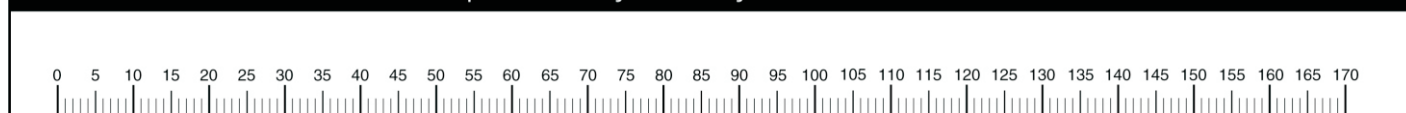
<p>A</p>  <p>Screw x 1 M6x50</p>	<p>B</p>  <p>Screw x 6 M6x40</p>	<p>C</p>  <p>Screw x 2 M6x35</p>	<p>D</p>  <p>Washer x 9 M6</p>
---	---	---	---

Tools required



1 x Allen key

Ruler - Use this ruler to help correctly identify the screws

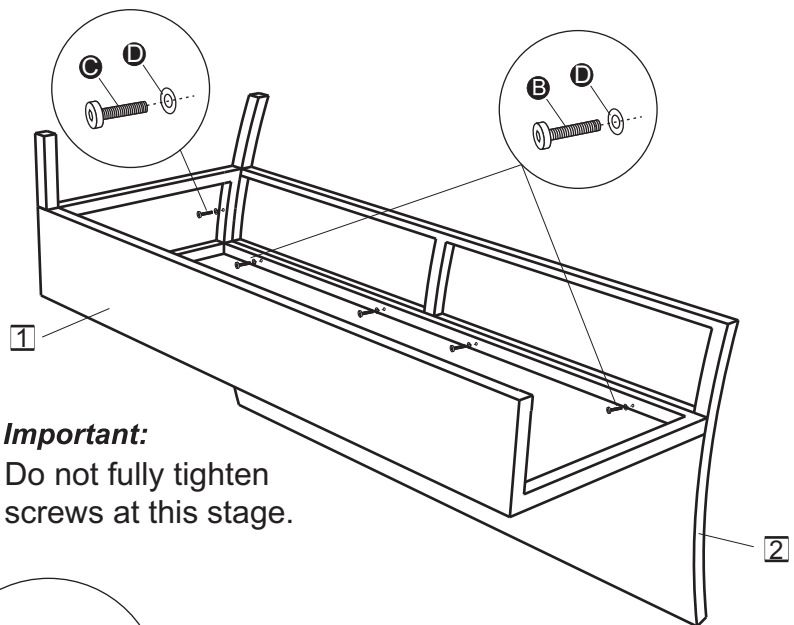


Assembly Instructions

Step 1

Fit seat to the back

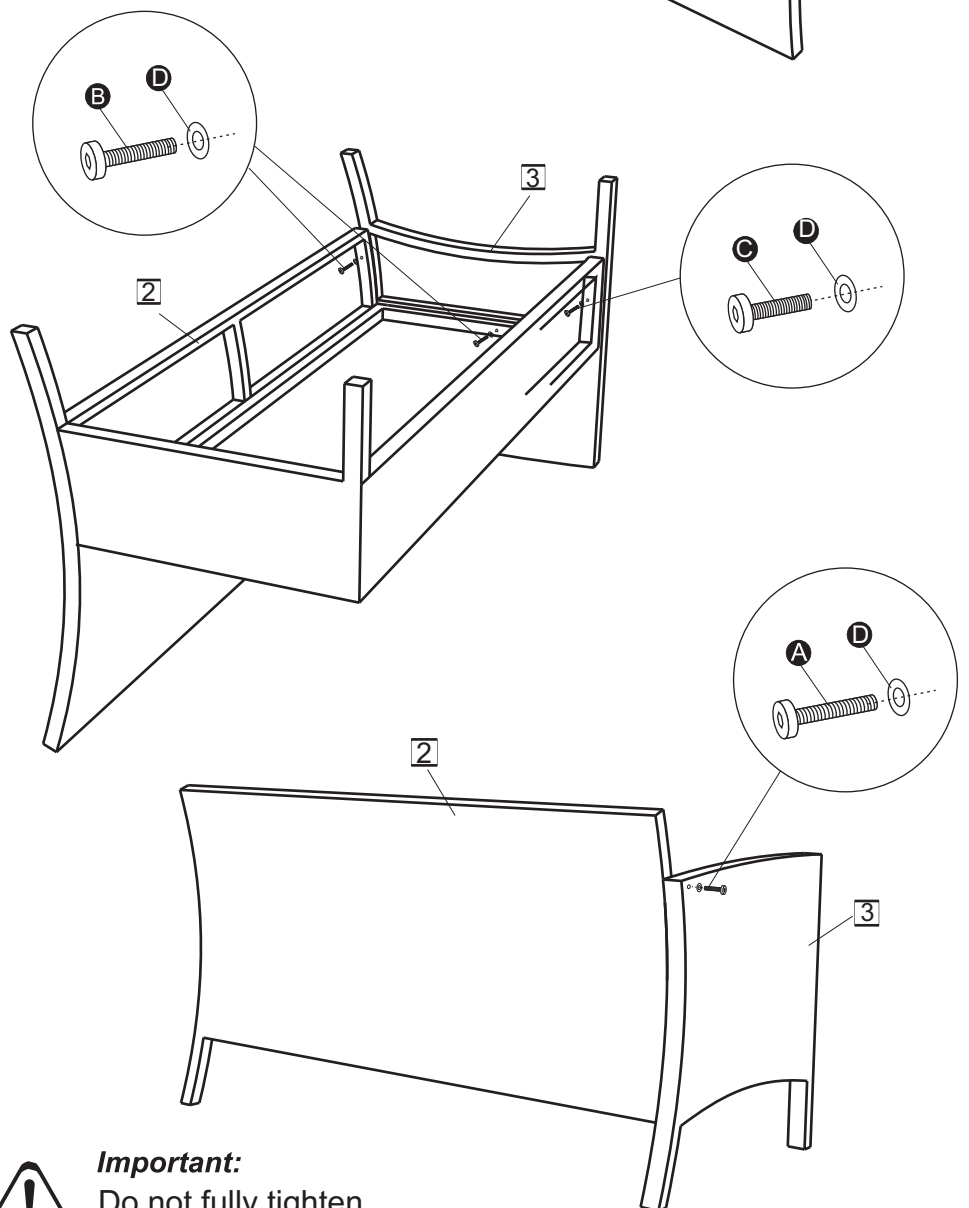
Use screw **B**, **C**, washer **D** to fix the seat **1** to the back **2**.



Step 2

Fit armrest to the seat

Use screw **A**, **B**, **C** and washer **D** to fix the armrest **3** to the back **2**.

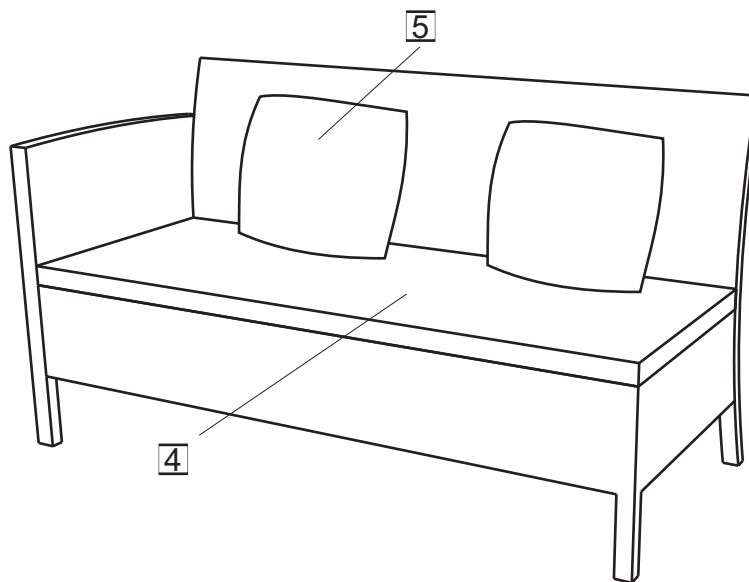


Assembly Instructions

Step 3

Tighten all the screws

Tighten all the screws then turn the chair to its upright position and put seat cushion **4** and pillows **5** on the chair.



Assembly is complete

If you need help or have damaged or missing parts, call the Customer Helpline: 0345 640 0800

For further assistance please visit <http://www.argos.support.co.uk/>

Retailer: Argos

Address: 489-499 Avebury Boulevard Saxon Gate West, Central Milton Keynes Bucks, MK9, 2NW