

New Pagnell Desk

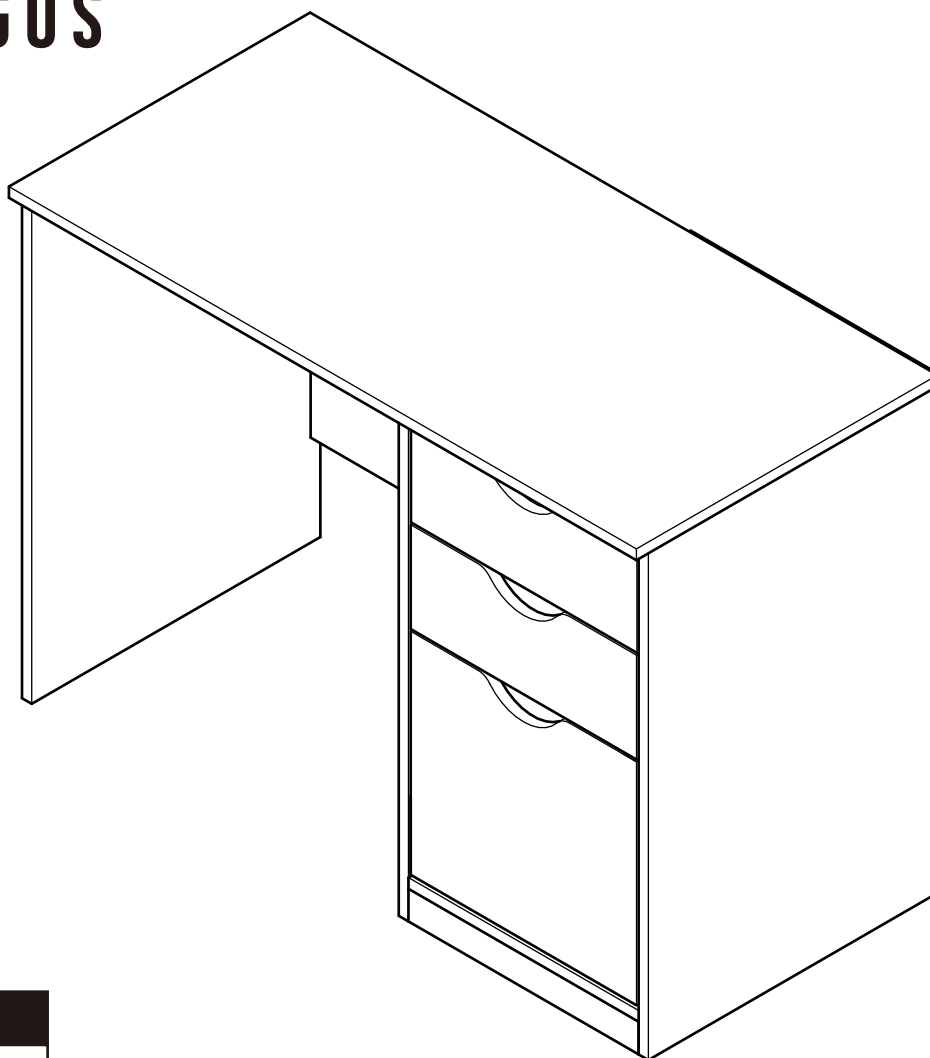
Assembly Instructions - Please keep for future reference

622/1168

618/7202

606/9447

H O
M E
BY ARGOS



Dimensions

Width - 100cm

Depth - 48.5cm

Height - 71.5cm

Important - Please read these instructions fully before starting assembly

If you need help or have damaged or missing parts, call the **Customer Helpline:**
Argos = 0345 6400800



Safety and Care Advice

Important – Please read these instructions fully before starting assembly

- Check you have all the components and tools listed on the following pages.
- Remove all fittings from the plastic bags and separate them into their groups.
- Keep children and animals away from the work area, small parts could choke if swallowed.
- Make sure you have enough space to layout the parts before starting.
- Do not use this item if any components are missing or damaged.
- During assembly do not stand or put weight on the product, this could cause damage.
- Assemble the item as close to its final position (in the same room) as possible.
- Assemble on a soft level surface to avoid damaging the unit or your floor.
- During assembly children should be kept away from the product due to possible risk of injury.
- Parts of the assembly will be easier with 2 people.



- To reduce the likelihood of damaging your product please ensure that your power drill is set on a low torque setting.

Glue safety - Take care when using glue, please follow the advice below

Skin contact: Remove contamination by washing with soap and water. This procedure should also be followed prior to eating and drinking.

Eye contact: Rinse immediately with clean water for 15 minutes and seek medical advice.

If swallowed: Seek medical advice immediately.

Care and maintenance

• Only clean using a damp cloth and mild detergent, do not use bleach or abrasive cleaners.

• From time to time check that there are no loose screws on this unit.

• This product should not be discarded with household waste. Take to your local authority waste disposal centre.

Handy Hints

• Assemble all parts and bolts loosely during assembly, only once the product is complete should you fully tighten the bolts

• Regularly check and ensure that all bolts and fittings are tightend properly.

IMPORTANT: RETAIN THESE INSTRUCTIONS FOR FUTURE REFERENCE

• Argos Ltd. MK9 2 NW.

• This product is intended for children in the age 6 or above.

• Maximum load:
50 kgs (top of desk).

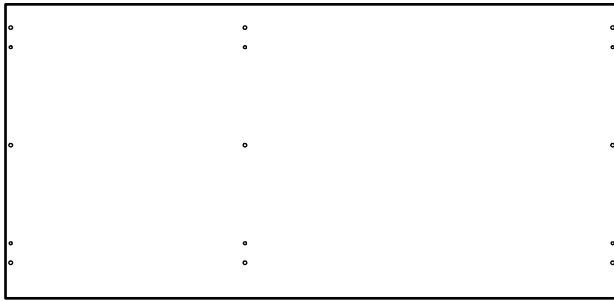
• Assembly of this product must be carried out by a competent adult.

Note: if required the next page can be cut out and used as reference throughout the assembly. Keep this page with these instructions for future reference.

Components - Panels

If you have damaged or missing components, call the Customer Helpline: Argos = 0345 6400800

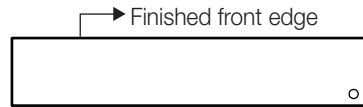
Please check you have all the panels listed below



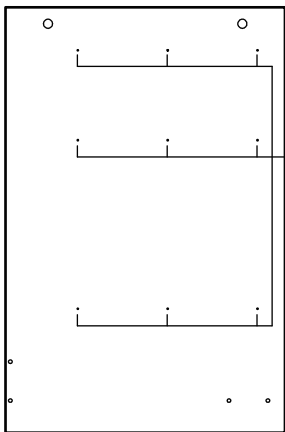
1 Table top (100 x 48cm)



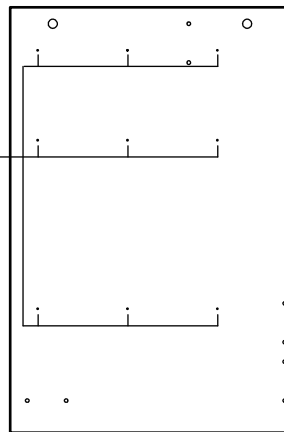
2 Top support (58.5 x 11cm)



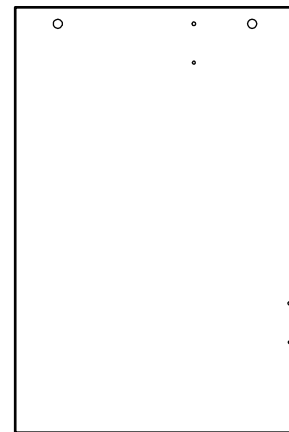
3 Bottom support (58.5 x 11cm)



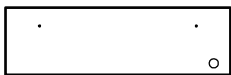
4 Right side panel (46 x 70cm)



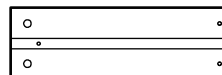
5 Middle panel (46 x 70cm)



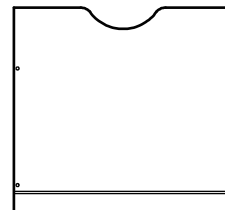
6 Left side panel (46 x 70cm)



7 Front support (36.7 x 11cm)



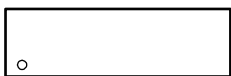
11 Drawer right side x 2 (34 x 11.5cm)



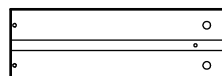
15 Large drawer front (36 x 33.6cm)



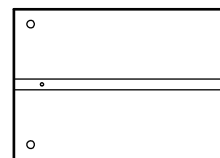
18 Large drawer back (33.5 x 24cm)



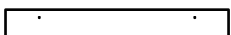
8 Back support (36.7 x 11cm)



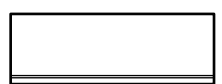
12 Drawer left side x 2 (34 x 11.5cm)



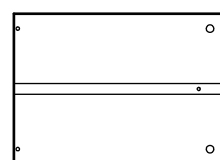
16 Large drawer right side (34 x 24cm)



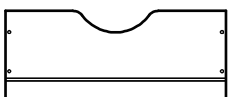
9 Front panel (36.7 x 4.5cm)



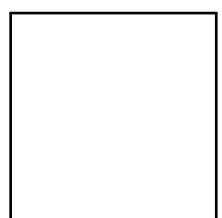
13 Drawer back x 2 (33.5 x 11.5cm)



17 Large drawer left side (34 x 24cm)



10 Drawer front x 2 (36 x 14.4cm)



14 Drawer bottom x 3 (33.6 x 34.4cm)












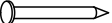

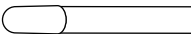
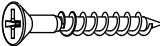

19 Back panel (60 x 39.4cm)



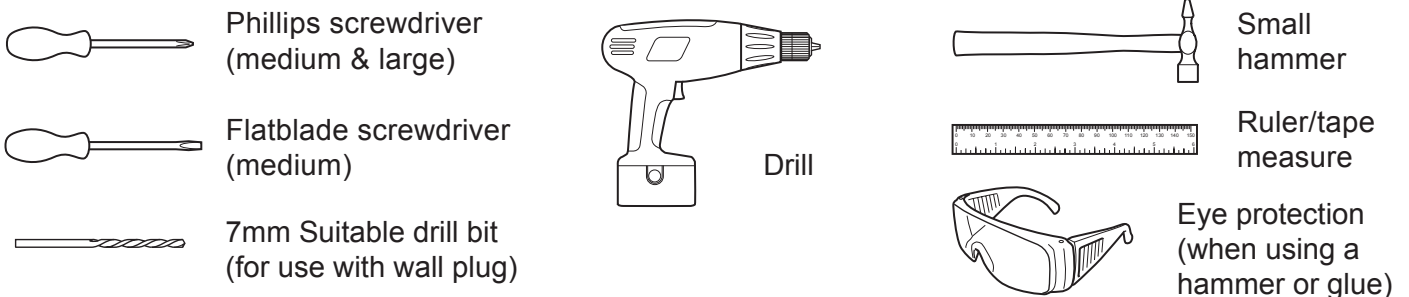
Components - Fittings

Please check you have all the fittings listed below

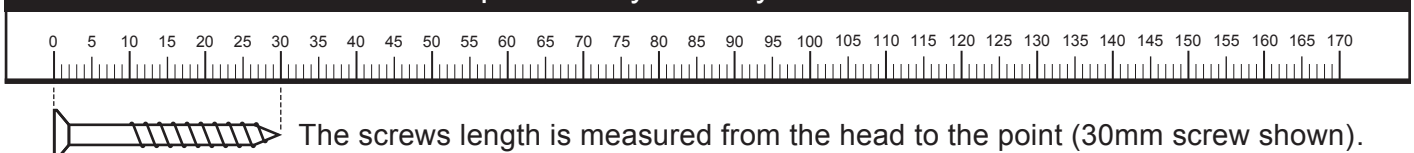
Note: The quantities below are the correct amount to complete the assembly. In some cases more fittings may be supplied than are required.

A  Runner x 6	B  (This Screw is included in the bag of runner) 12mm Screw x 18	C  30mm Dowel x 13
D  Plastic support x 2	E  14mm Screw x 4	F  39mm Locking pin x 22
G  15mm Locking nut x 10	H  50mm Screw x 8	I  Screw cover x 4
J  Nail x 12	K  12mm Locking nut x 12	L  Glue x 1
M  30mm Screw x 12	N  12mm Screw x 6	

Tools required



Ruler - Use this ruler to help correctly identify the screws



Assembly Instructions

Step 1

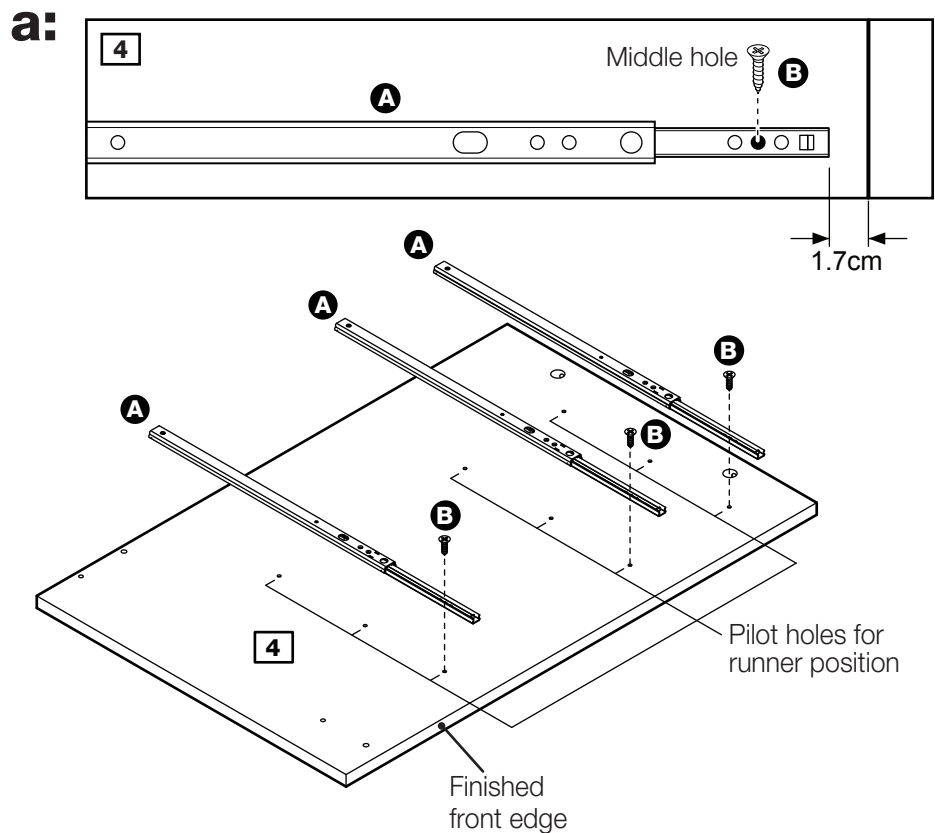
Attaching runners

a: Position Runners **A** in front edge of the Right side panel **4**.

Slide top of the Runners **A** back.

Use Screws **B** to fix the Runners **A** on the Right side panel **4**.

Note: The front part of the runner should be approximately 1.7cm from the front edge of the panel.

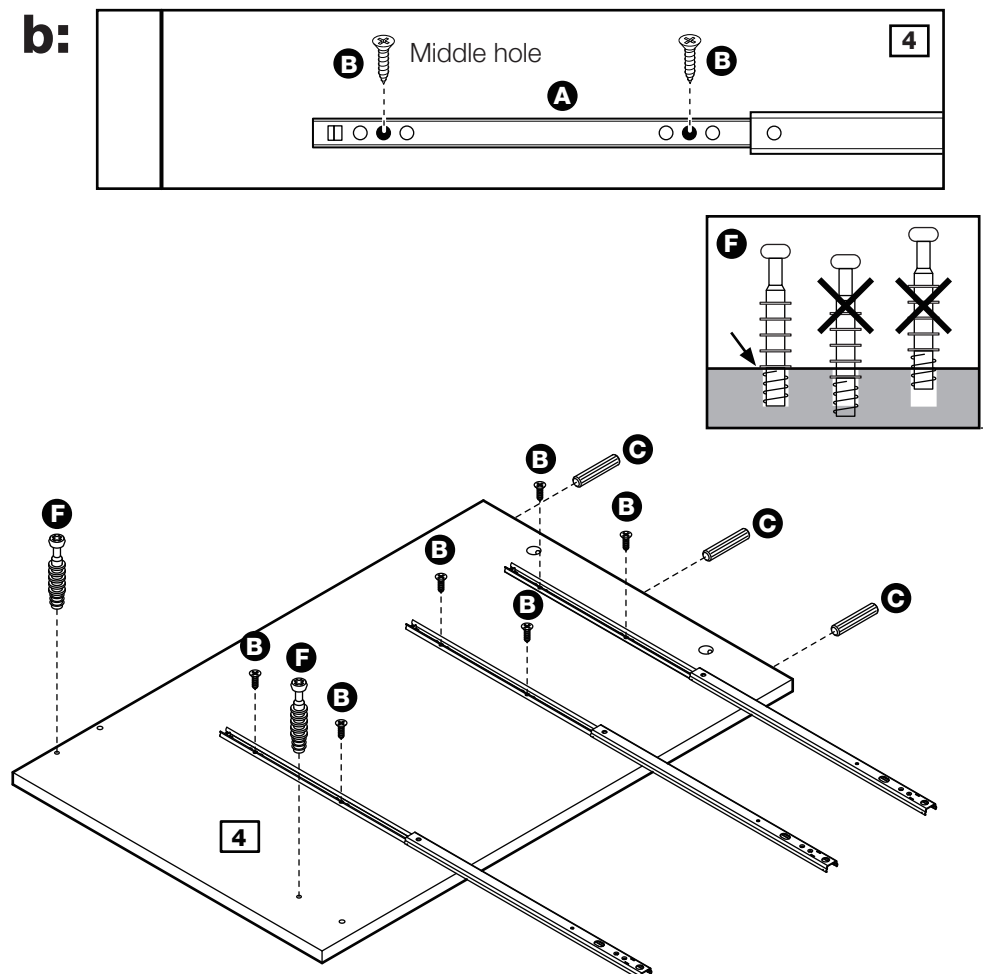


b: Slide top of Runners **A** forward and fix as shown using Screws **B**.

Insert Dowels **C** into the Right side panel **4**.

Screw Locking pins **F** into the Right side panel **4**.

Note: Insert locking pins as far as shown.
Do not over tighten.



Continued on next page.

Assembly Instructions

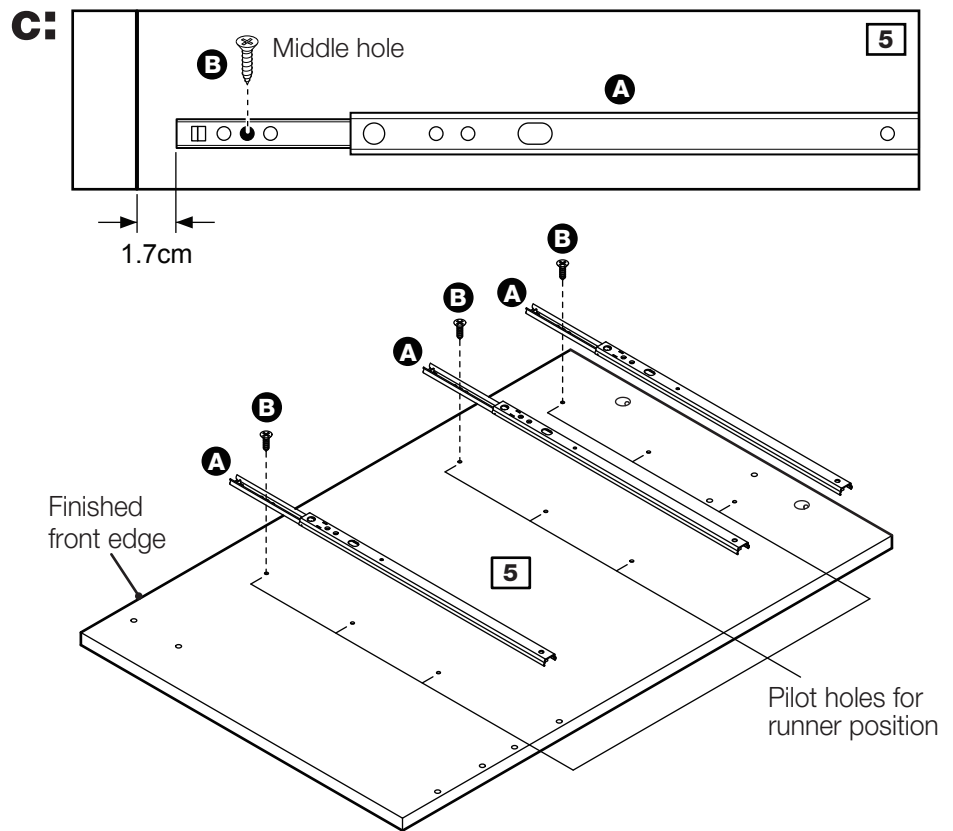
Step 1 - continued

c: Position Runners **A** in front edge of the Middle panel **5**.

Slide top of the Runners **A** back.

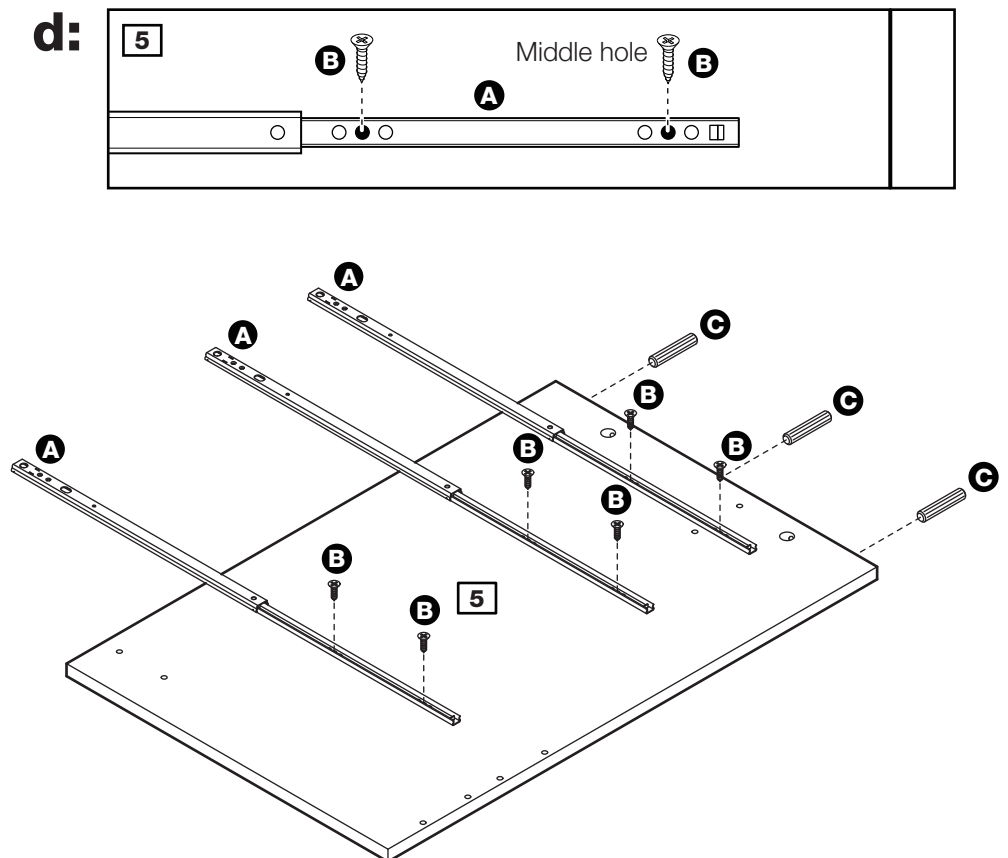
Use Screws **B** to fix the Runners **A** on the Middle panel **5**.

Note: The front part of the runner should be approximately 1.7cm from the front edge of the panel.



d: Slide top of Runners **A** forward and fix as shown using Screws **B**.

Insert Dowels **C** into the Middle panel **5**.



Assembly Instructions

Step 2

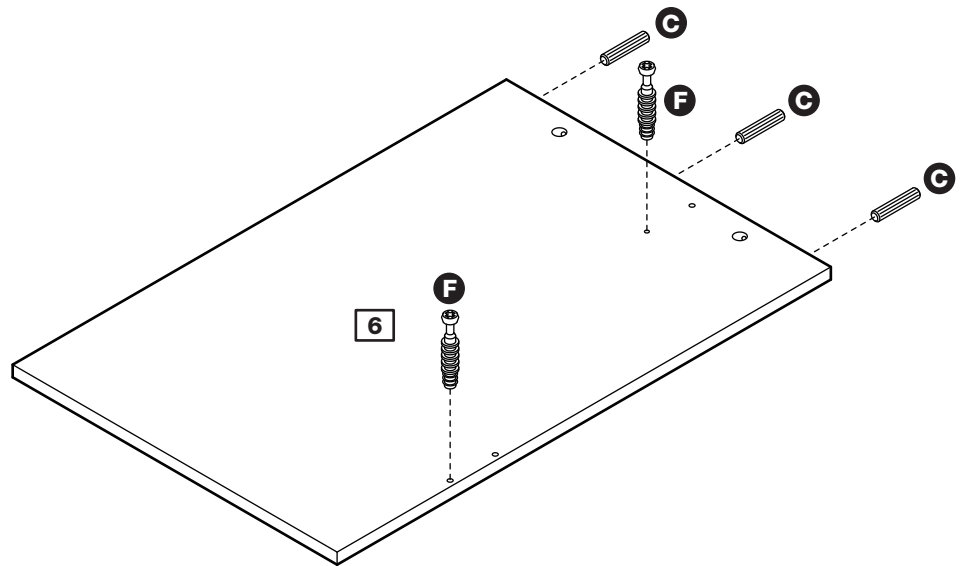
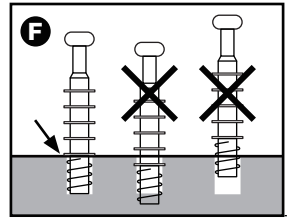
Fitting dowels and locking pins

a: Insert Dowels **C** into the Left side panel **6**.

Screw Locking pins **F** into the Left side panel **6**.

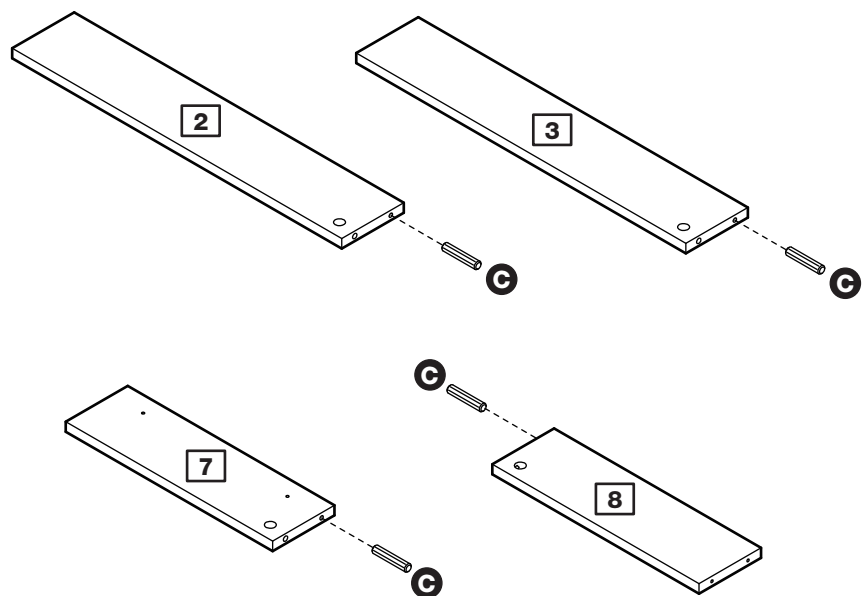
Note: Insert locking pins as far as shown.
Do not over tighten.

a:



b: Insert Dowels **C** into the Top support **2**, Bottom support **3**, Front support **7** and Back support **8**.

b:



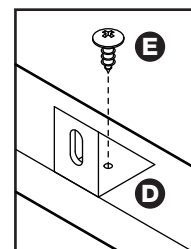
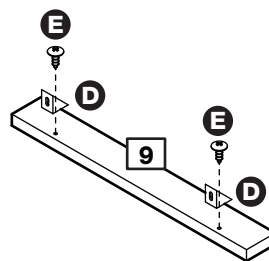
Assembly Instructions

Step 3

Attaching plastic supports

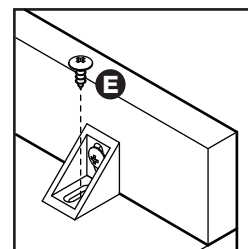
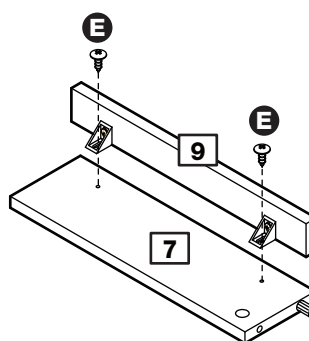
a: Use Screws **E** to fix Plastic supports **D** onto the Front panel **9**.

a:



b: Use Screws **E** to fix Front panel **9** onto the Front support **7**.

b:



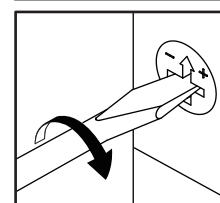
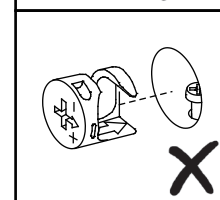
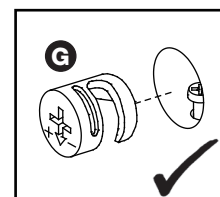
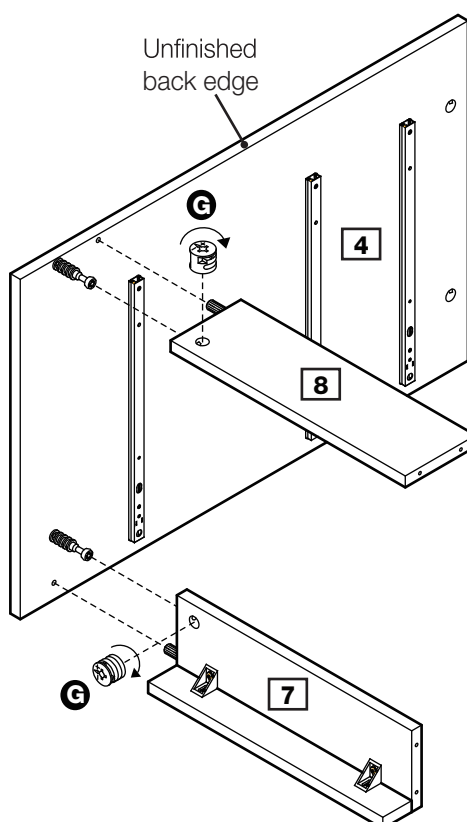
Step 4

Attaching bottom panel and back support

a: Position Front support **7** and Back support **8** onto the Right side panel **4**.

Insert Locking nuts **G** into the Front support **7** and Back support **8**.

Use a screwdriver to turn Locking nuts **G** clockwise to lock.



Assembly Instructions

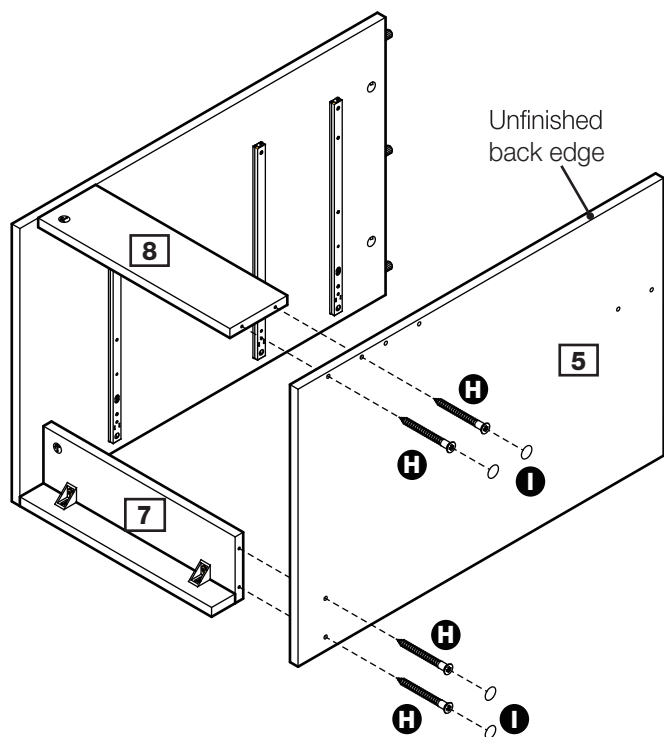
Step 5

Attaching middle panel

a: Use Screws **H** to fix Middle panel **5** onto the unit.

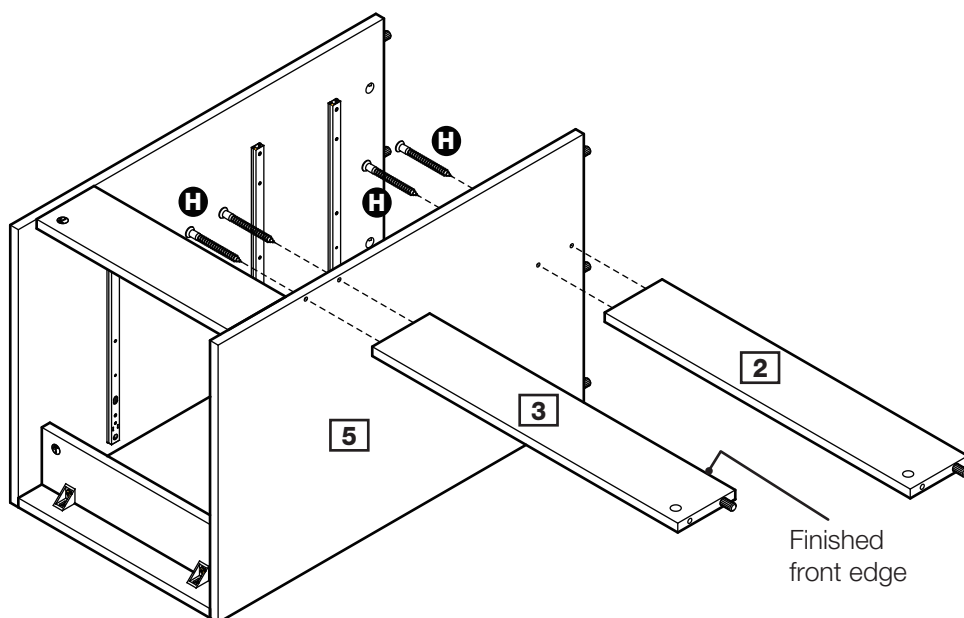
Use Screw covers **I** to cover the screw heads.

a:



b: Use Screws **H** to fix Top support **2** and Bottom support **3** onto the Middle panel **5**.

b:



Assembly Instructions

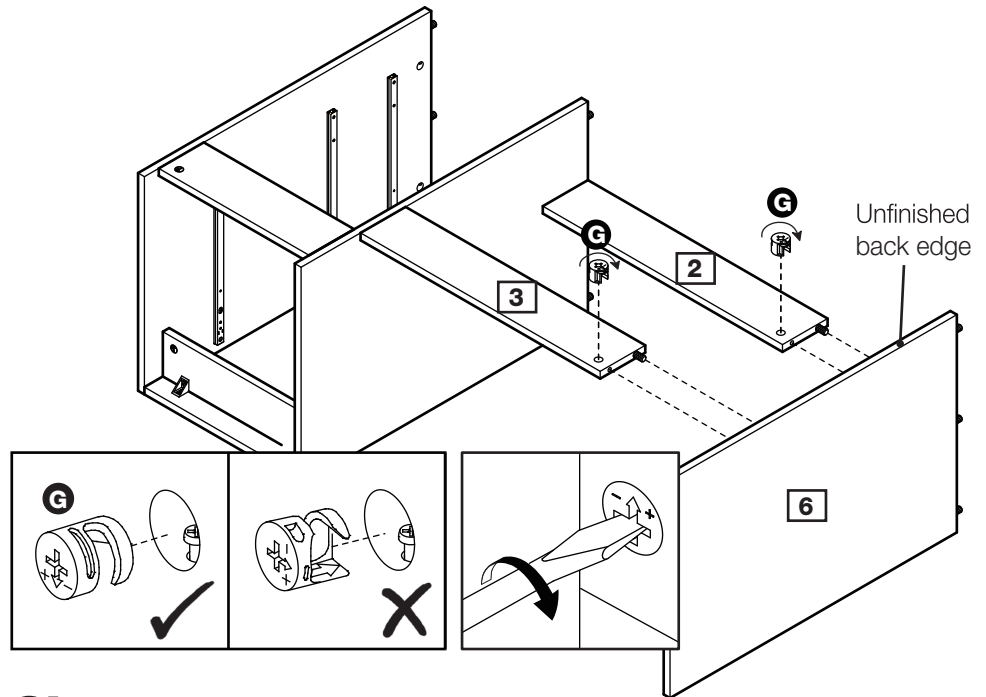
Step 6

Attaching left side panel

Position Left side panel **6** onto the unit.

Insert 2 Locking nuts **G** into the Top support **2** and Bottom support **3**.

Use a screwdriver to turn Locking nuts **G** clockwise to lock.



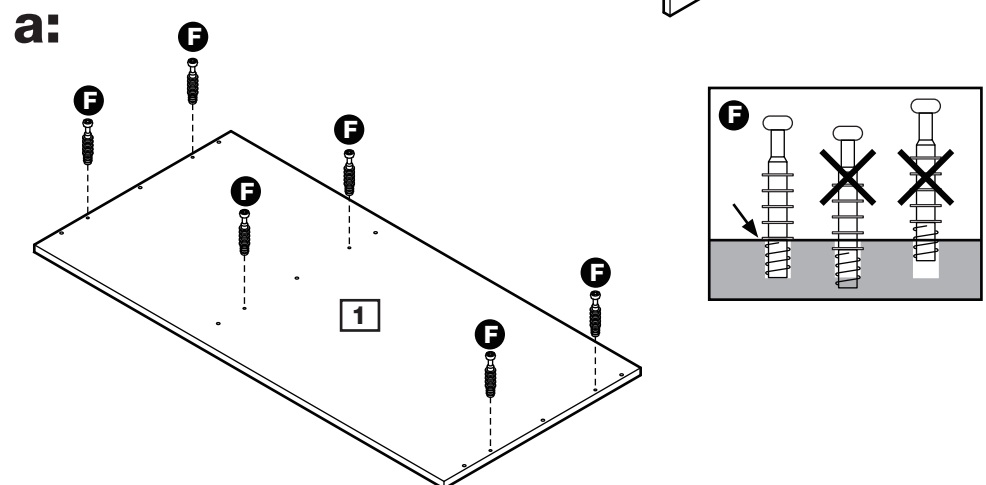
Step 7

Attaching table top

a: Screw Locking pins **F** into the Table top **1**.

Note: Insert Locking pins as far as shown.

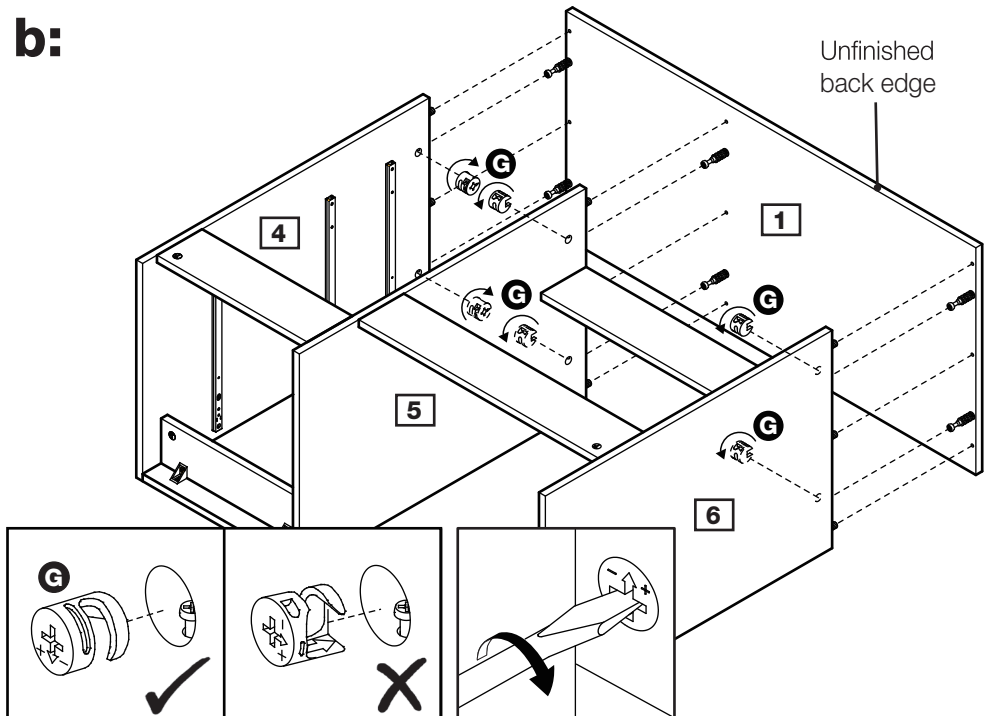
Do not over tighten.



b: Then carefully locate the Table top **1** onto the unit.

Insert 6 Locking nuts **G** into the unit.

Use a screwdriver to turn Locking nuts **G** clockwise to lock.



Continued on next page.

Assembly Instructions

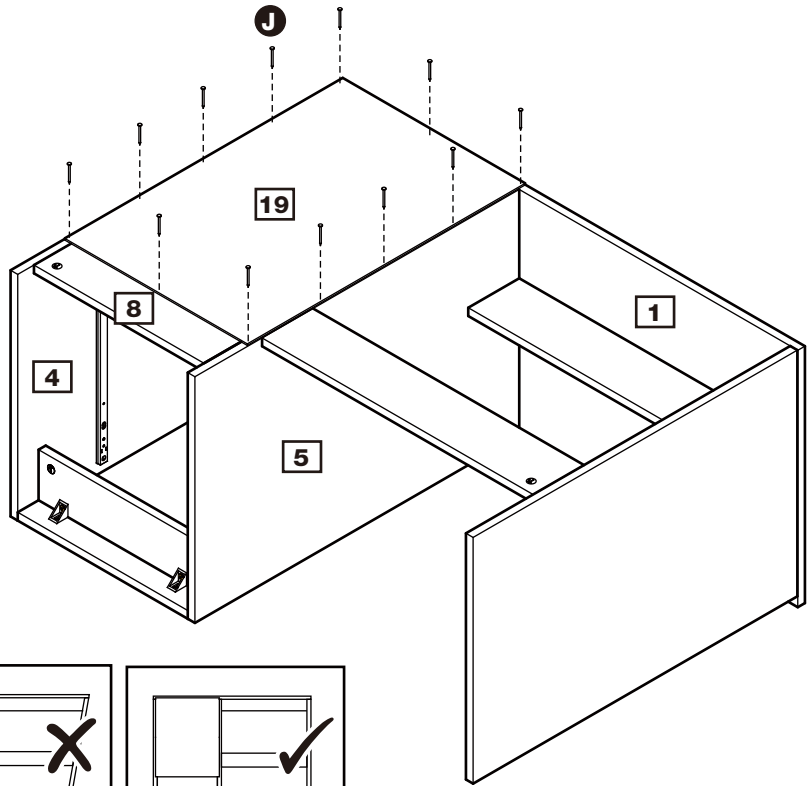
Step 8

Fixing back panel

Attach Back panel **19** onto the unit using Nails **J**.



Important:
The unit **MUST** be 'square' when back is attached.



Step 9

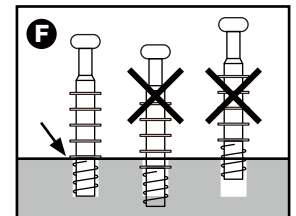
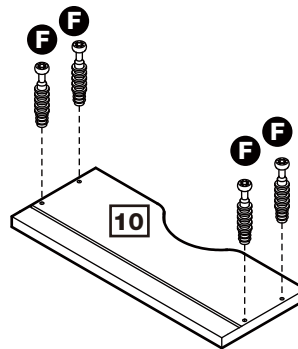
Drawer assembly

a: Screw Locking pins **F** into 4 holes shown on back of the Drawer front **10**.

Note: Insert Locking pins as far as shown.

Do not over tighten.

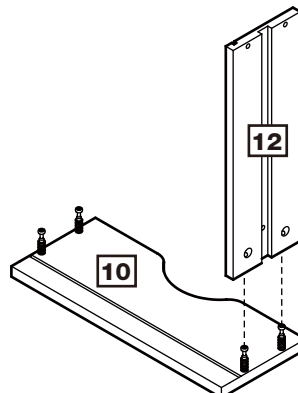
a:



X 2

b: Fix Drawer left side **12** onto the Drawer front **10**.

b:



X 2

Continued on next page.

Assembly Instructions

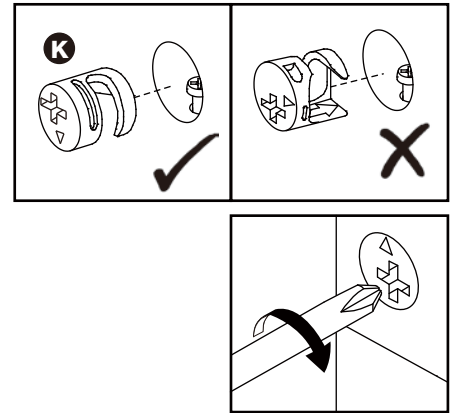
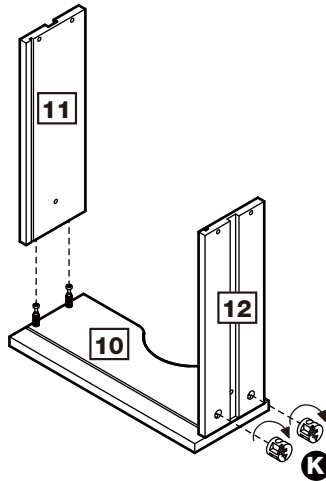
Step 9 - continued

c: Fix Drawer right side **11** onto the Drawer front **10**.

Insert 2 Locking nuts **K** into the holes (they will only insert one way).

Use a screwdriver to turn Locking nuts **K** clockwise to lock.

c:



X 2

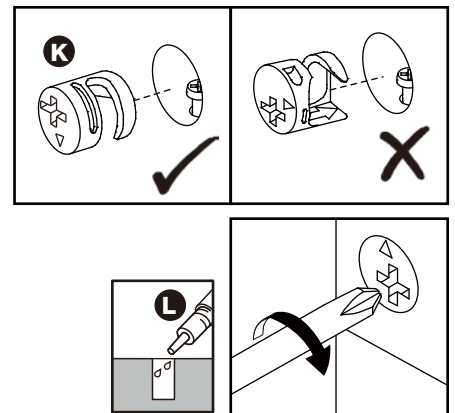
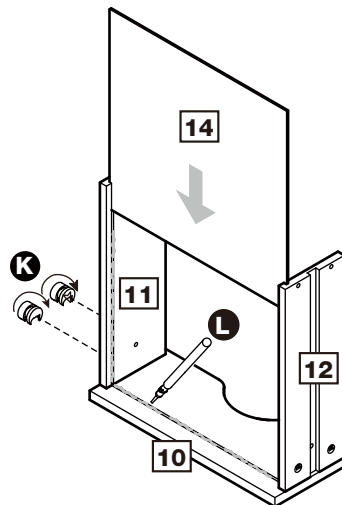
d: Insert 2 Locking nuts **K** into the holes (they will only insert one way).

Use a screwdriver to turn Locking nuts **K** clockwise to lock.

Place a small amount of Glue **L** into the grooves.

Carefully slide the Drawer bottom **14** into the grooves.

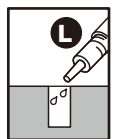
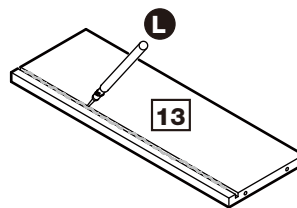
d:



X 2

e: Place a small amount of Glue **L** into the groove on the Drawer back **13**.

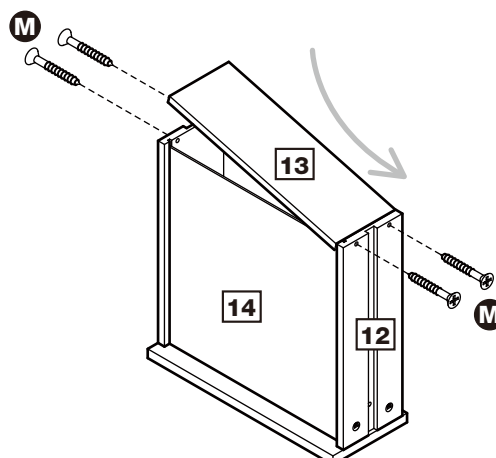
e:



X 2

f: Position the Drawer back **13** onto the unit using Screws **M**.

f:



X 2

Assembly Instructions

Step 10

Large drawer assembly

a: Screw Locking pins **F** into 4 holes shown on back of the Large drawer front **15**.

Note: Insert Locking pins as far as shown.
Do not over tighten.

b: Fix Large drawer left side **17** onto the Large drawer front **15**.

c: Fix Large drawer right side **16** onto the Large drawer front **15**.

Insert 2 Locking nuts **K** into the holes (they will only insert one way).

Use a screwdriver to turn Locking nuts **K** clockwise to lock.

d: Insert 2 Locking nuts **K** into the holes (they will only insert one way).

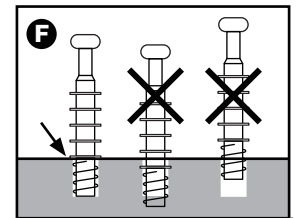
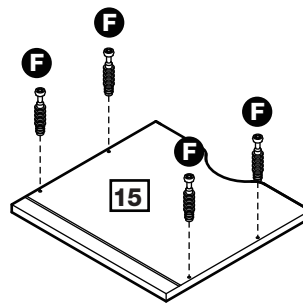
Use a screwdriver to turn Locking nuts **K** clockwise to lock.

Place a small amount of Glue **L** into the grooves.

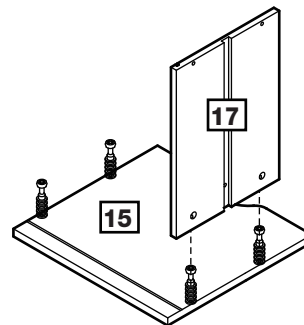
Carefully slide the Drawer bottom **14** into the grooves.

Continued on next page.

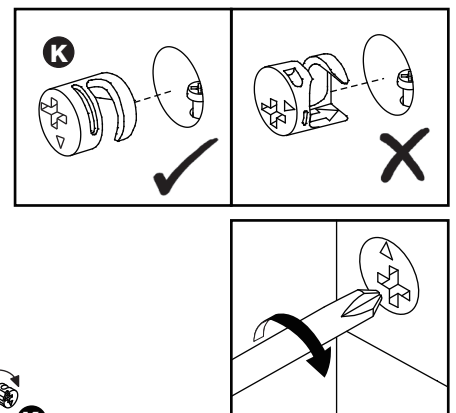
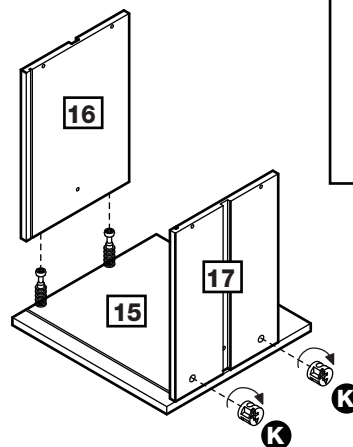
a:



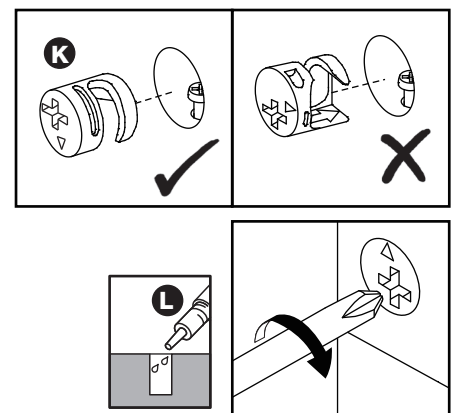
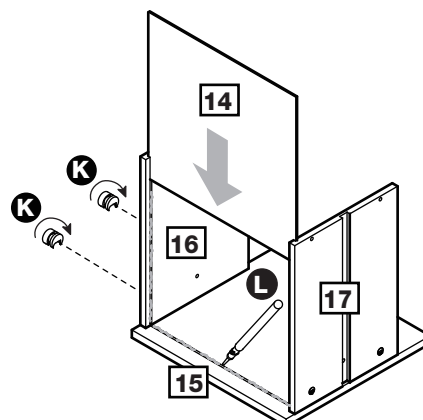
b:



c:



d:

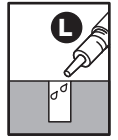
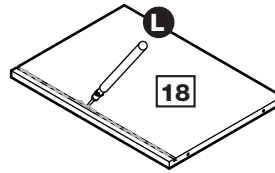


Assembly Instructions

Step 10 - continued

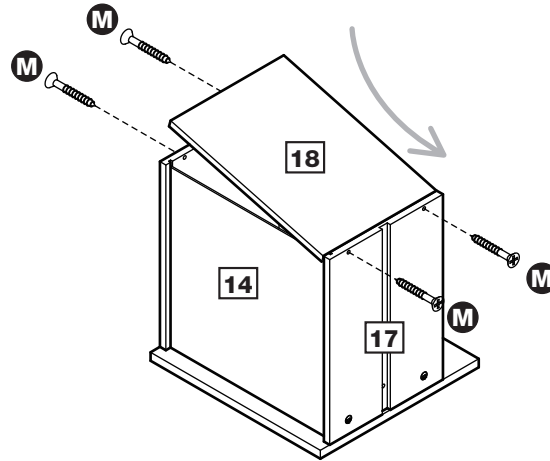
e: Place a small amount of Glue **L** into the groove on the Large drawer back **18**.

e:



f: Position the Large drawer back **18** onto the unit using Screws **M**.

f:



Step 11

Inserting large drawer

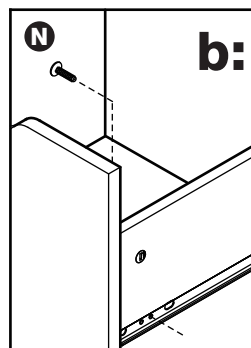
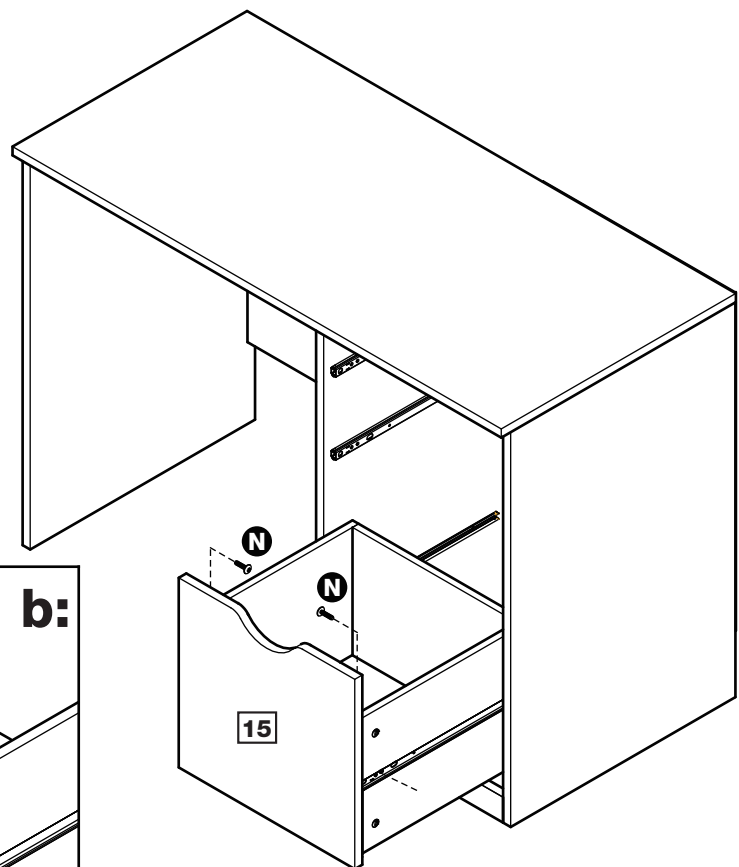
With help, carefully stand desk upright.



Warning:
The Desk is heavy.
Lift with care.

a: Slide the drawer fully onto the runners so the runners butt up against the back of the drawer front.

a:



b: Fix through drawer sides into the runners using Screws **N**.

Assembly Instructions

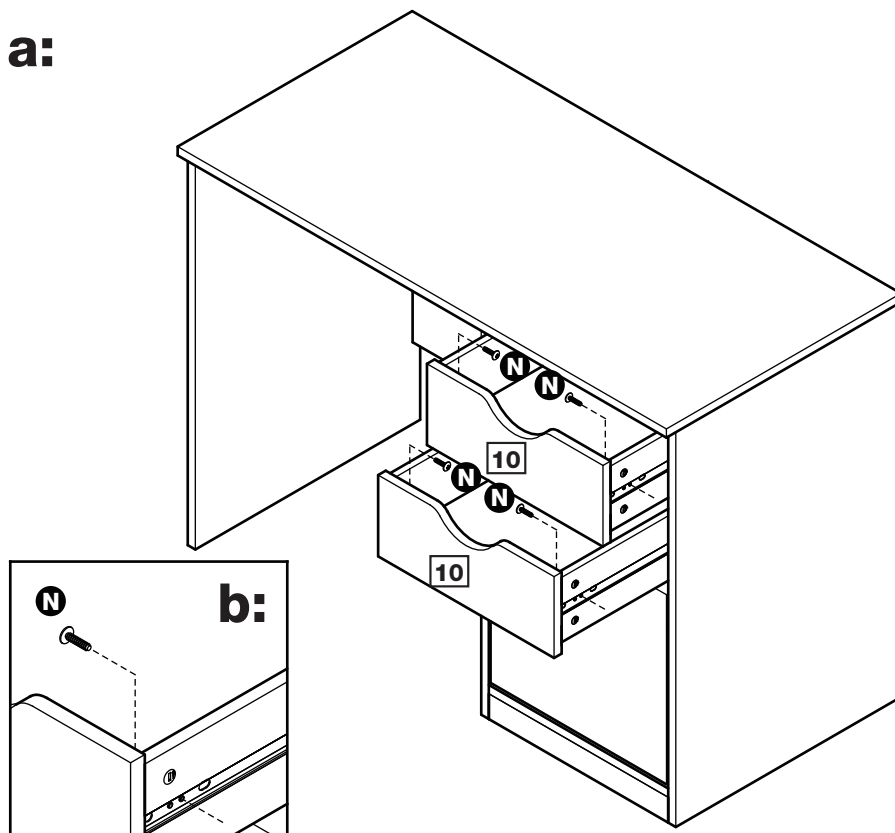
Step 12

Inserting drawers

a: Slide the drawer fully onto the runners so the runners butt up against the back of the drawer front.

b: Fix through drawer sides into the runners using Screws **N**.

a:



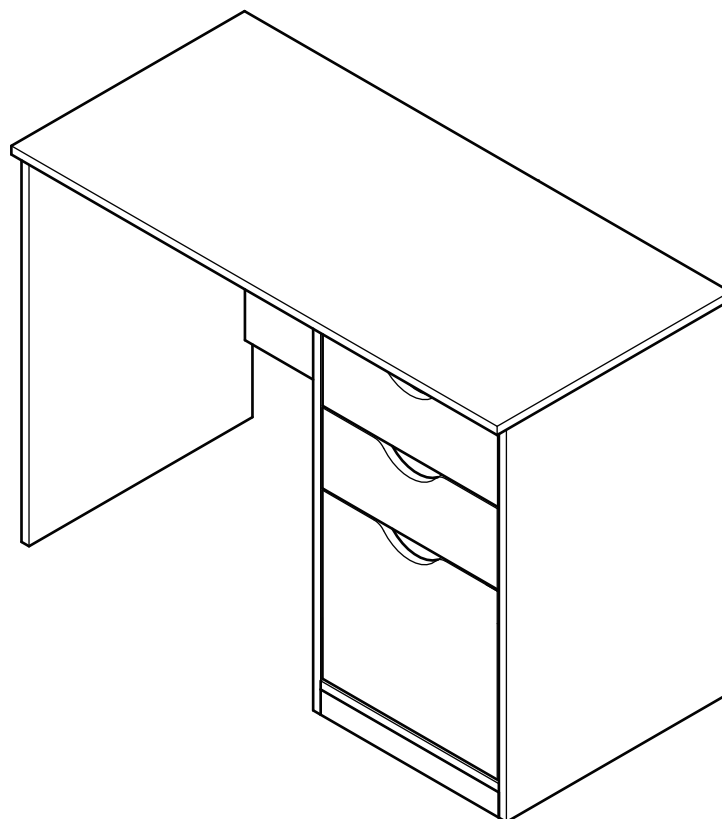
Step 13

Finishing the unit

With help, place the unit in the intended position.

Note: Before use allow the glue to dry for 24 hours and make sure the unit is secure.

Assembly is complete.



If you need help or have damaged or missing parts, call the **Customer Helpline:**
Argos = 0345 6400800