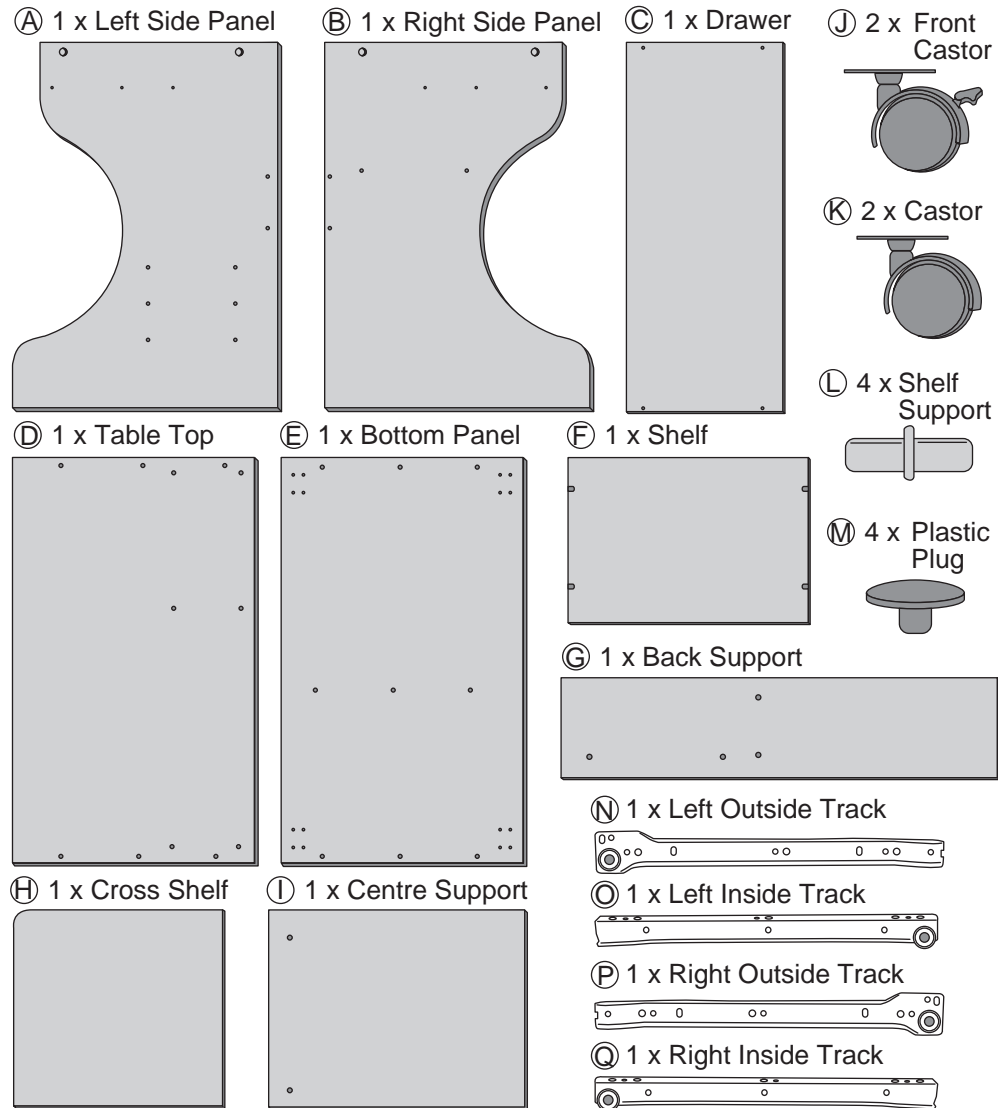
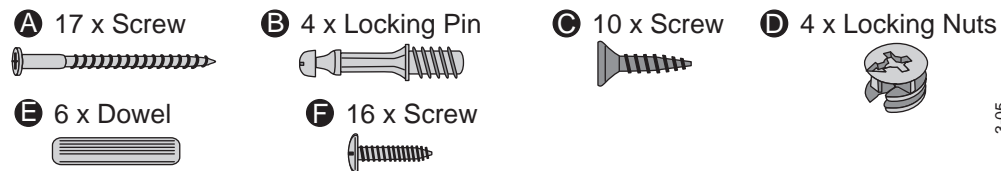


# Components

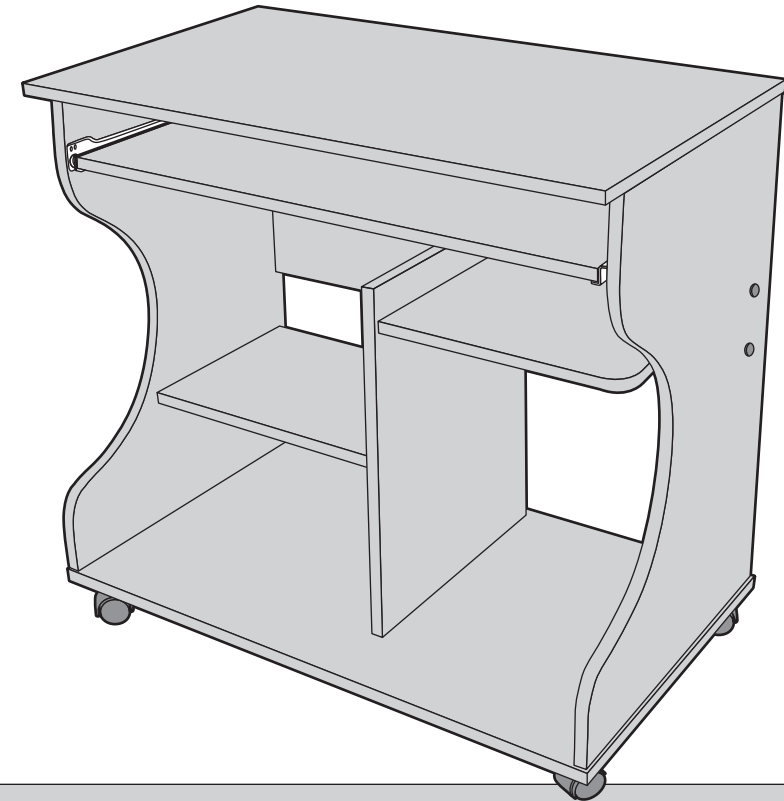


# Fittings



# Curved PC Trolley

Simple Assembly Instructions - Please keep for future reference



## IMPORTANT


1. Read these instructions carefully and familiarise yourself with the procedure before assembling the unit.
2. Check that you have all the component parts following the list on the back cover and familiarise yourself with each part before proceeding.
3. Take all the fittings out of the plastic bag and separate them into their groups.
4. Ensure you have enough space to lay out all the parts before assembly.
5. To avoid scratching it is recommended that you assemble the unit on a soft level surface.

# Assembly Instructions

## Stage 1 – Fitting the Centre Support

### Check Before Assembly

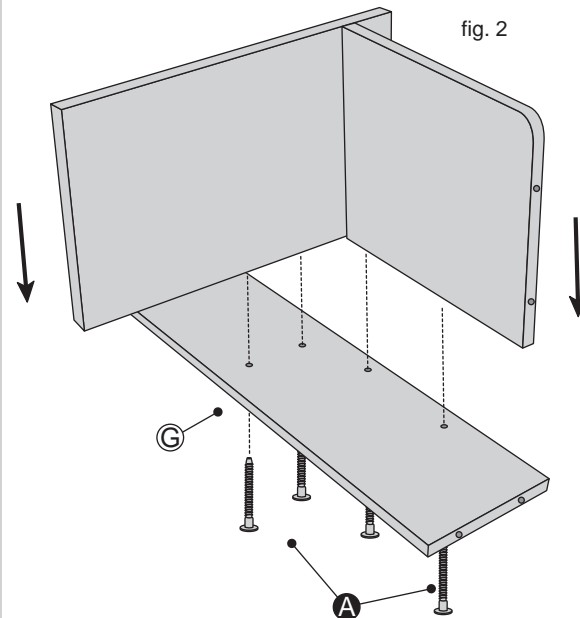
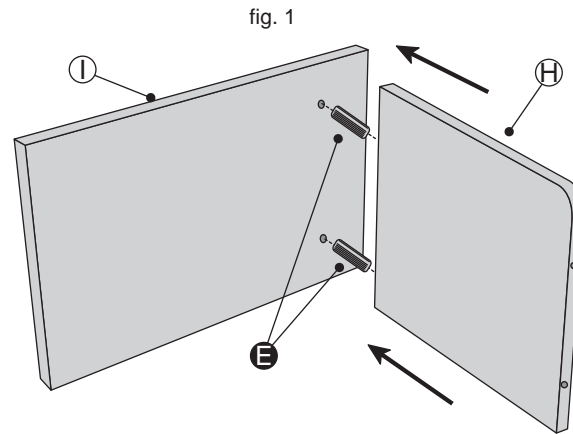


 There are many different kinds of Screws and Panels. Ensure you check all before assembly.

**NOTE:** It would be useful to ask someone to help you at this stage.

1. Use Dowels **E** to fix the Cross Shelf **H** on the Centre Support **I**. See fig. 1.

2. Use Screws **A** to fix the Back Support **G** on the unit. See fig. 2.



# Assembly Instructions

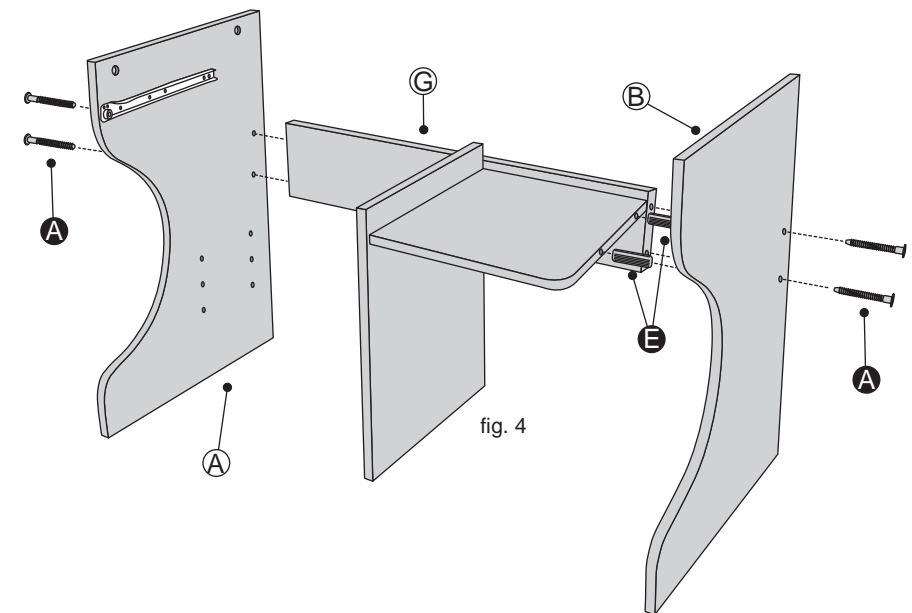
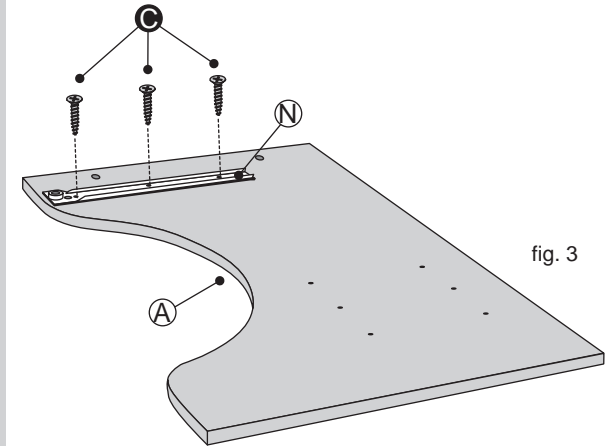
## Stage 2 – Fitting the Side Panels

**NOTE:** It would be useful to ask someone to help you at this stage.

1. Use Screws **C** to fix the Left Outside Track **N** on the Left Side Panel **A**. Then use the same method to fix the Right Outside Track **P** onto the Right Side Panel **B**. See fig. 3.

**NOTE:** The front part of the Track should be close to the edge of the panel.

2. Use Screws **A** and Dowels **E** to fix the Right Side Panel **B** onto the unit. Then use Screws **A** to fix the Left Side Panel **A** onto the unit. See fig. 4.

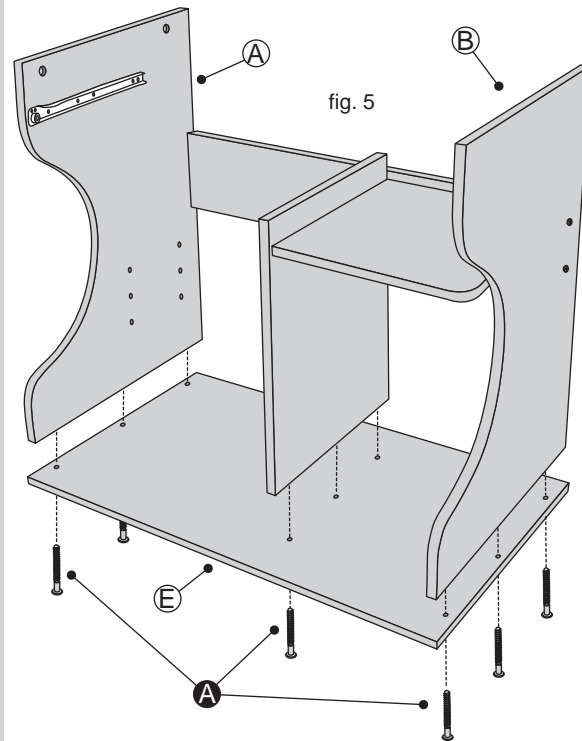


# Assembly Instructions

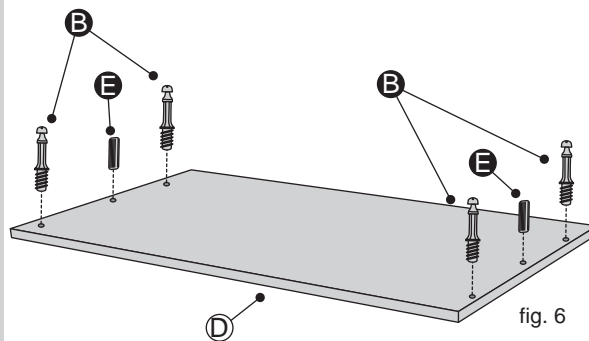
## Stage 3 – Fitting the Bottom Panel

**NOTE:** It would be useful to ask someone to help you at this stage.

1. Use Screws **A** to fix the Bottom Panel **E** onto the unit.  
See fig. 5.



2. Insert Dowels **E** and screw in Locking Pins **B** into the Table Top **D**.  
See fig. 6.



# Assembly Instructions

## Stage 4 – Fitting the Table Top

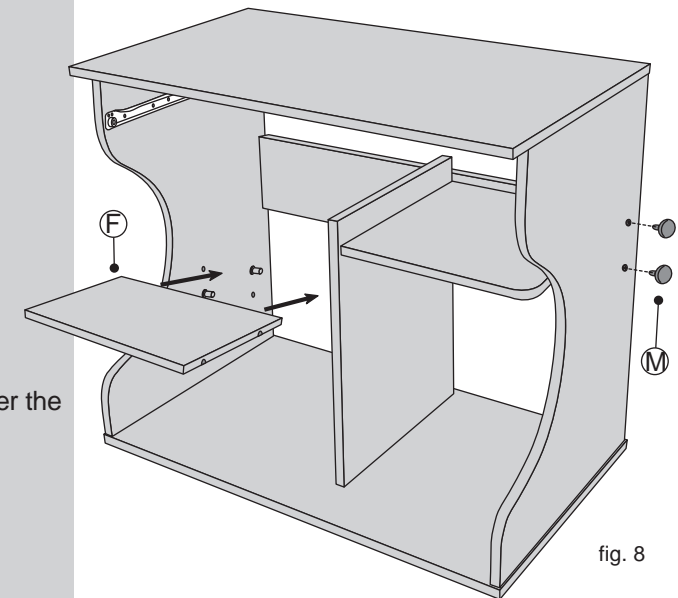
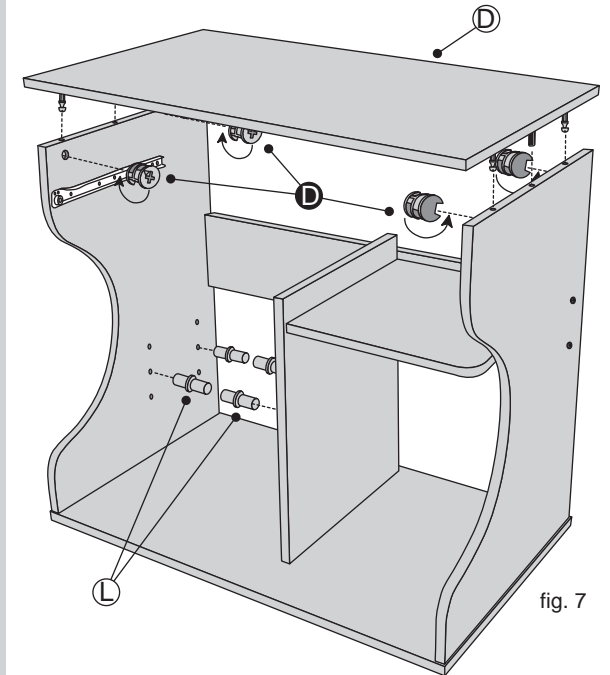
**NOTE:** It would be useful to ask someone to help you at this stage.

1. Use Locking Nuts **D** to fix the Table Top **D** onto the unit.  
See fig. 7.
2. Place Shelf Supports **L** into the unit.  
See fig. 7.

**NOTE:** Adjust the shelf supports to the desired height.

3. Slide Shelf **F** into the unit.  
See fig. 8.

4. Use Plastic Plugs **M** to cover the Screws.  
See fig. 8.



# Assembly Instructions

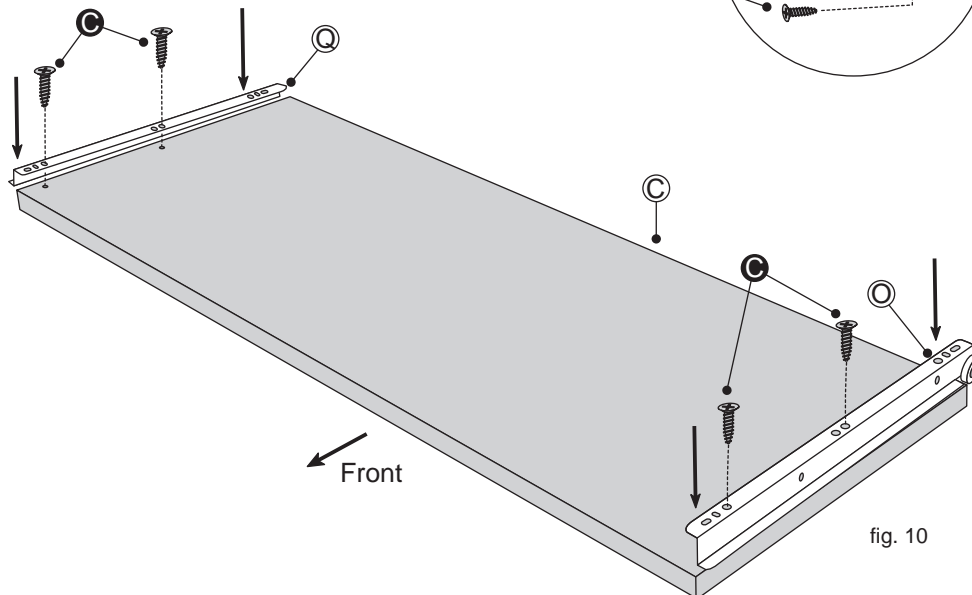
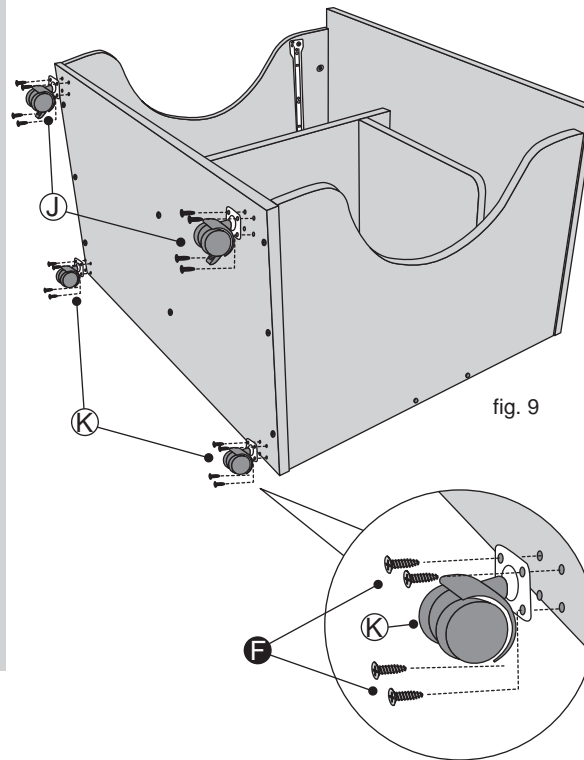
## Stage 5 – Fitting the Castors

**NOTE:** It would be useful to ask someone to help you at this stage.

1. Use Screws **F** to fix the Front Castor **J** and Castor **K** onto the unit.  
See fig. 9 .

**NOTE:** The Front Castors **J** feature a locking arm. We recommend you lock the castors when you have finally positioned the unit in place.

2. Use Screws **C** to fix the Left Inside Track **Q** and Right Inside Track **Q** onto the Drawer **C**.  
See fig. 10.



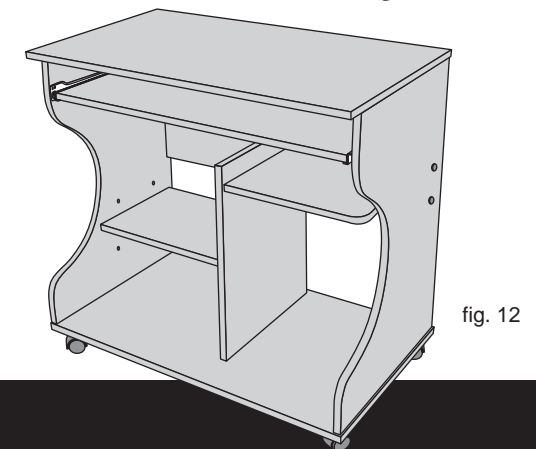
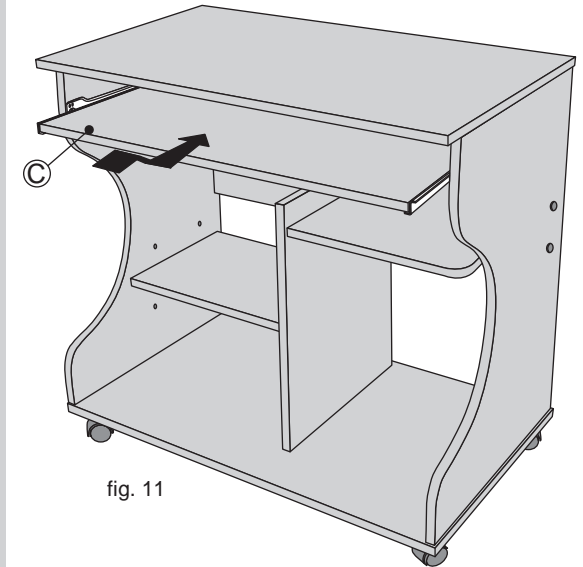
# Assembly Instructions

## Stage 6 – Finishing the Unit

**NOTE:** It would be useful to ask someone to help you at this stage.

1. Carefully tilt then slide the finished Drawer **C** into the unit.  
See fig. 11.

2. Carefully place the unit in the desired location.  
See fig. 12.



## Care and Maintenance

### Safety

To avoid any risk of suffocation to animals or children dispose of the plastic bags immediately.

### Cleaning

As with all surfaces clean with a damp cloth and mild detergent, do not use bleach or abrasive products.

### Fitting

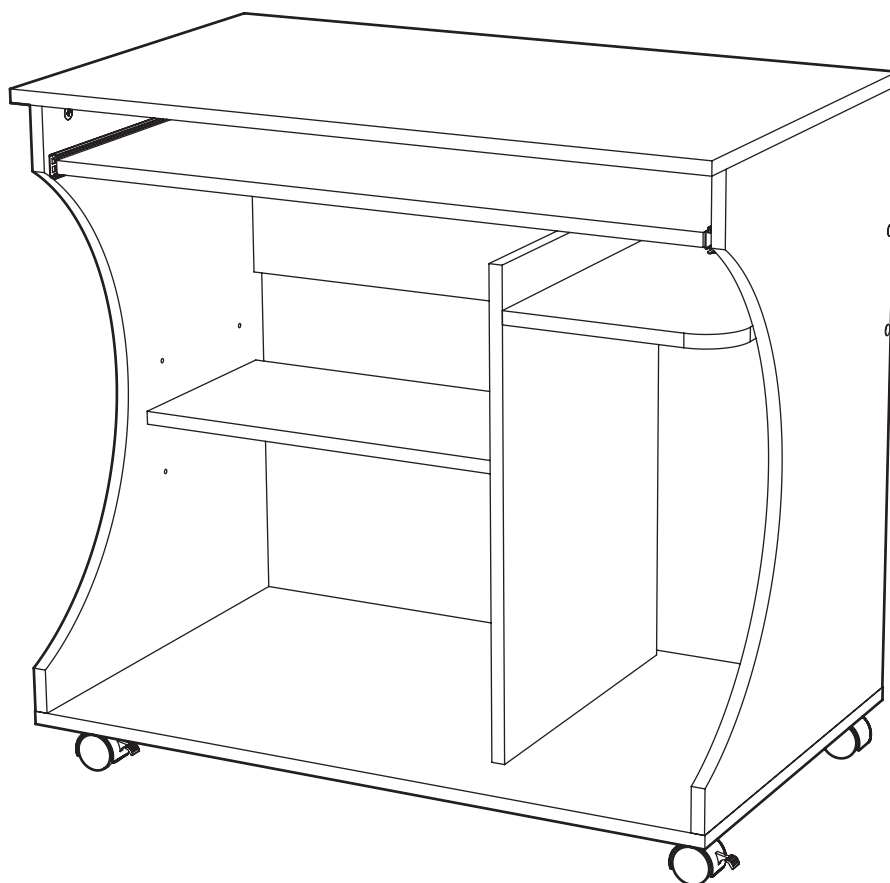
From time to time please ensure there are no loose screws on the product.

# Curved PC Trolley

Assembly Instructions - Please keep for future reference

617/9447

617/9674



## Dimensions

Width - 80cm

Depth - 48cm

Height - 76cm

**Important - Please read these instructions fully before starting assembly**

If you need help or have damaged or missing parts, call the **Customer Helpline: 08456 400800**



# Safety and care advice

**Important** - Please read these instructions fully before starting assembly

- Check you have all the components and tools listed on pages 2 and 3.
- Remove all fittings from the plastic bags and separate them into their groups.
- Keep children and animals away from the work area, small parts could choke if swallowed.
- Make sure you have enough space to layout the parts before starting.

- Do not stand on the panels, this could cause damage.
- Assemble the unit as close to its final position (in the same room) as possible.
- Assemble on a soft level surface to avoid damaging the unit or your floor.
- Parts of the assembly will be easier with 2 people.



- We do not recommend the use of power drill/ drivers **for inserting screws**, as this could damage the unit. Only use hand screwdrivers.
- Dispose of all packaging carefully and responsibly.
- **Warning:** The unit weighs approximately 22.1kgs. **Please lift with care.**

- Only clean using a damp cloth and mild detergent, do not use bleach or abrasive cleaners.

- From time to time check that there are no loose screws on this unit.

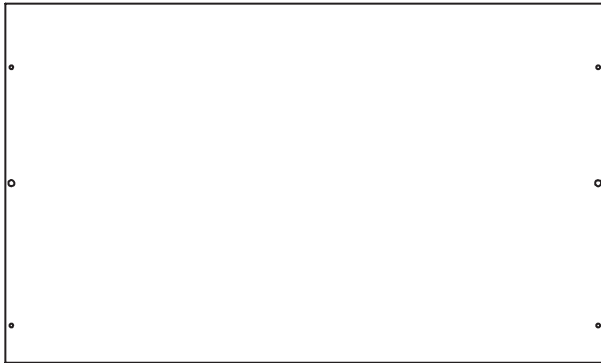
- This product should not be discarded with household waste. Take to your local authority waste disposal centre.

**Note:** If required the next page can be cut out and used as a reference throughout the assembly. Keep this page with these instructions for future reference.

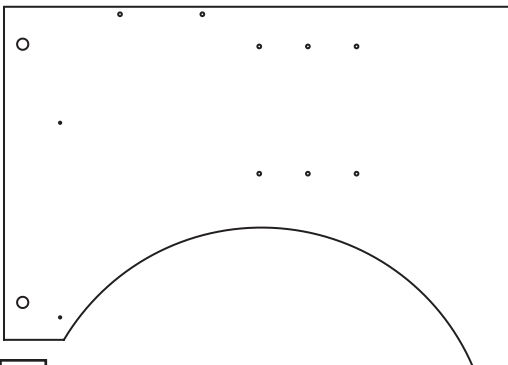
# Components - Panels

If you have damaged or missing components, call the **Customer Helpline:08456 400800**

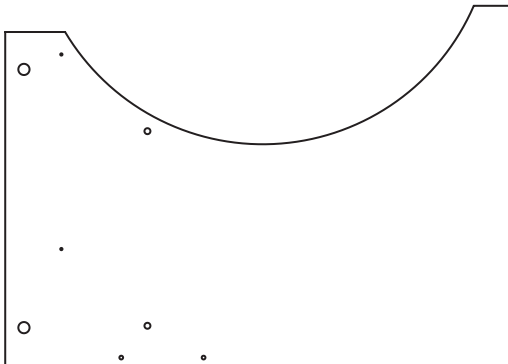
Please check you have all the panels listed below



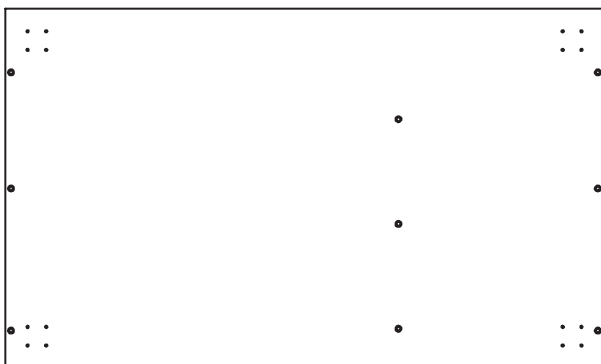
**1** Top (80 x 48cm)



**2** Left side (67.5 x 47.8cm)



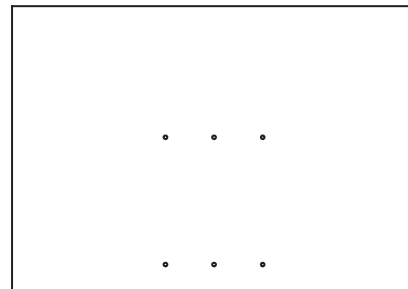
**3** Right side (67.5 x 47.8cm)



**4** Bottom (80 x 48cm)



**5** Keyboard (74.6 x 30cm)



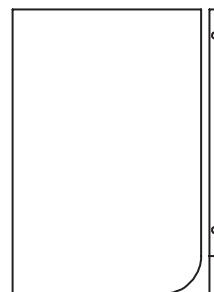
**6** Centre support (48 x 36.8cm)



**7** Back support (76.8 x 16.7cm)



**8** Shelf (42.5 x 24cm)




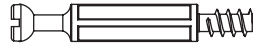



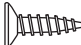
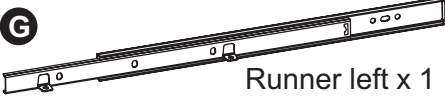
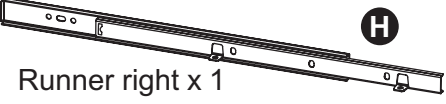



**9** Cross shelf (36 x 32.8cm)



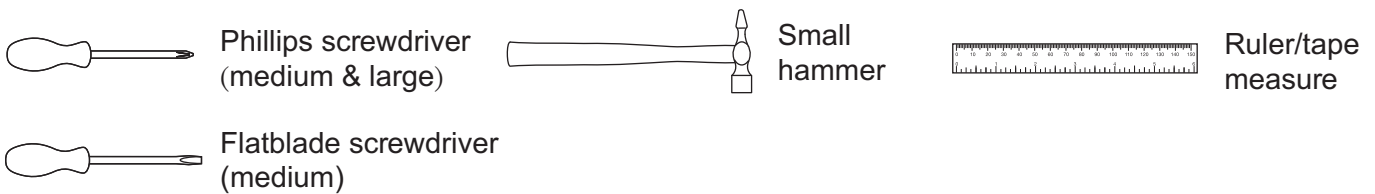
# Components - Fittings

Please check you have all the fittings listed below

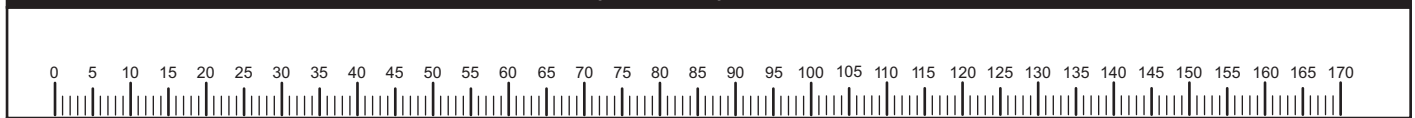
**Note:** The quantities below are the correct amount to complete the assembly. In some cases more fittings may be supplied than are required.

<b>A</b>  Locking nut x 4	<b>B</b>  Locking pin x 4	<b>C</b>  Dowel x 6
<b>D</b>  45mm Screw x 17	<b>E</b>  Shelf support x 4	<b>F</b>  15mm Screw x 24
<b>G</b>  Runner left x 1	<b>H</b>  Runner right x 1	<b>I</b>  Castor x 2
<b>J</b>  Front castor x 2	<b>K</b>  Cover cap x 4	

## Tools required



## Ruler - Use this ruler to help correctly identify the screws





# Assembly Instructions

## Step 1

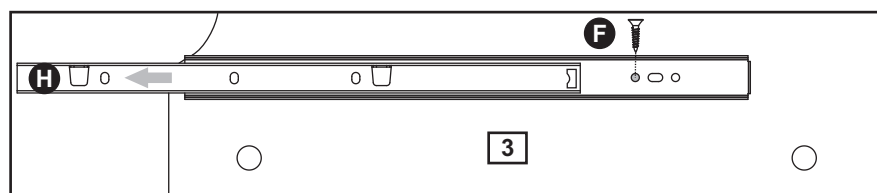
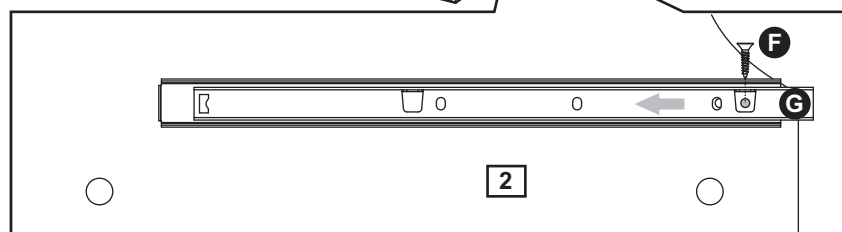
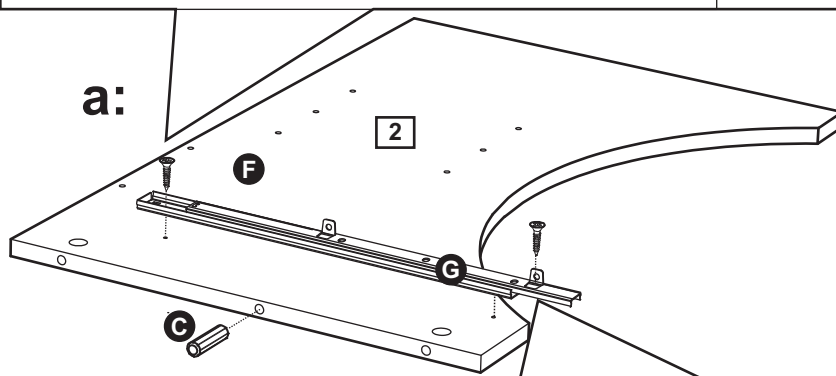
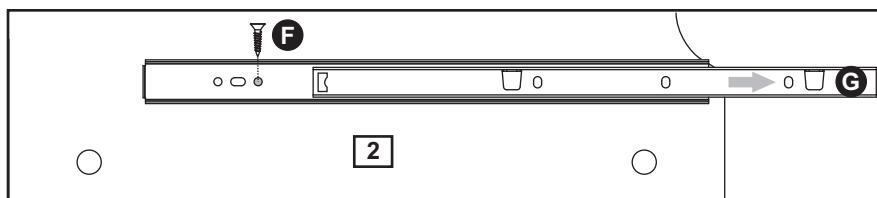
### Fitting the runners

**Note:** It would be useful to ask someone to help you at this stage.

**a:** Use Screws **F** to fix the Runner left **G**, onto Left side **2**.

Slide top of the runner to access the first hole.

Insert Dowel **C** into Left side **2**.

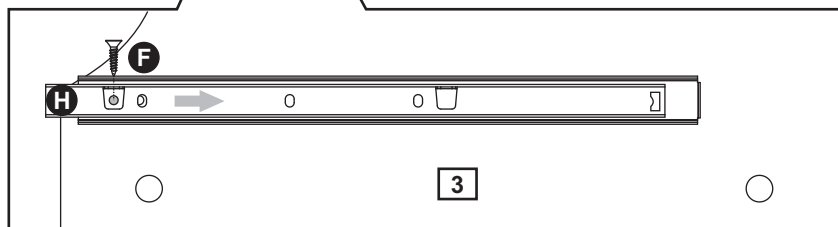
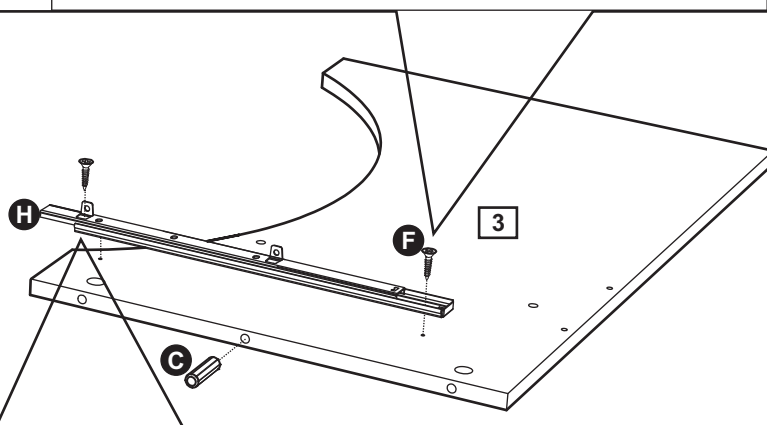


**b:**

**b:** Use Screws **F** to fix the Runner right **H**, onto Right side **3**.

Slide top of the runner to access the first hole.

Insert Dowel **C** into Right side **3**.



# Assembly Instructions

## Step 2

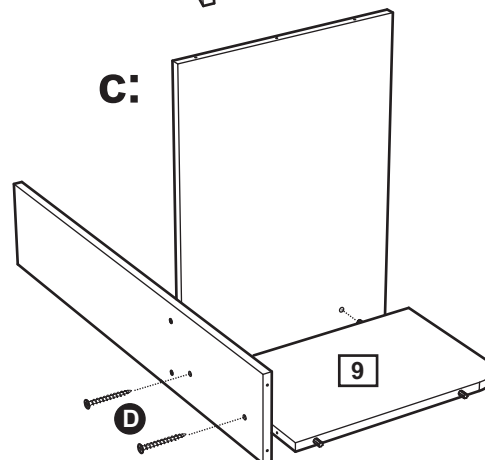
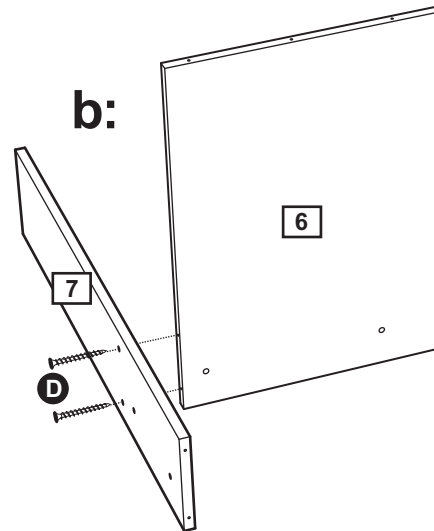
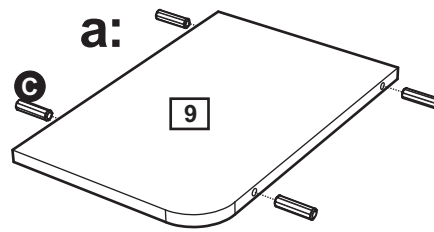
### Fitting the centre support

**Note:** It would be useful to ask someone to help you at this stage.

**a:** Insert Dowels **C** into Cross shelf **9**.

**b:** Use Screws **D** to fix Back support **7** onto Centre support **6**.

**c:** Use Screws **D** to fix Cross shelf **9** onto the unit.

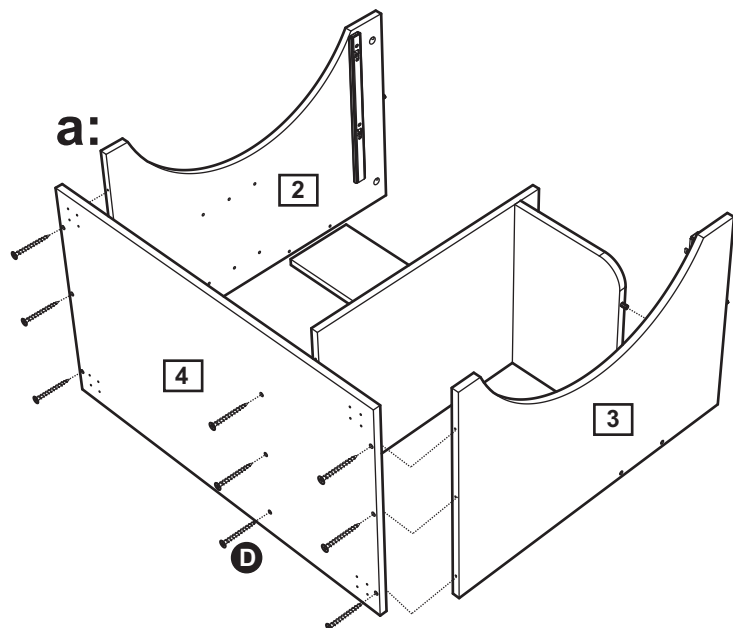


## Step 3

### Fitting bottom and side panels

**Note:** It would be useful to ask someone to help you at this stage.

**a:** Use Screws **D** to fix Bottom **4**, Left side **2**, Right side **3** onto the unit.

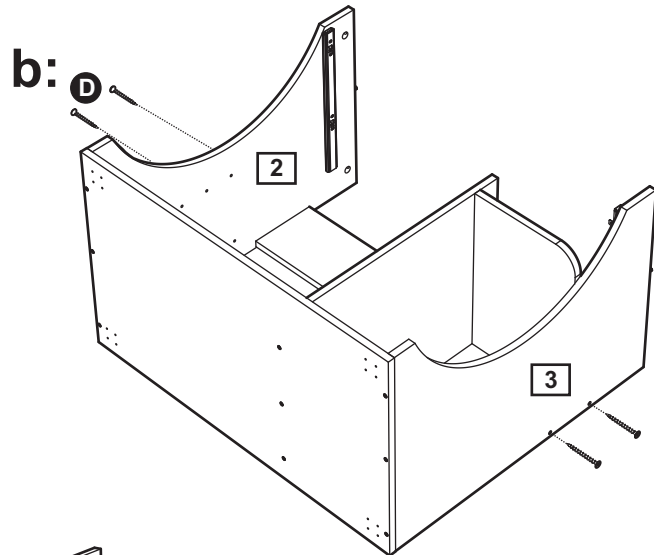


Continued on next page.

# Assembly Instructions

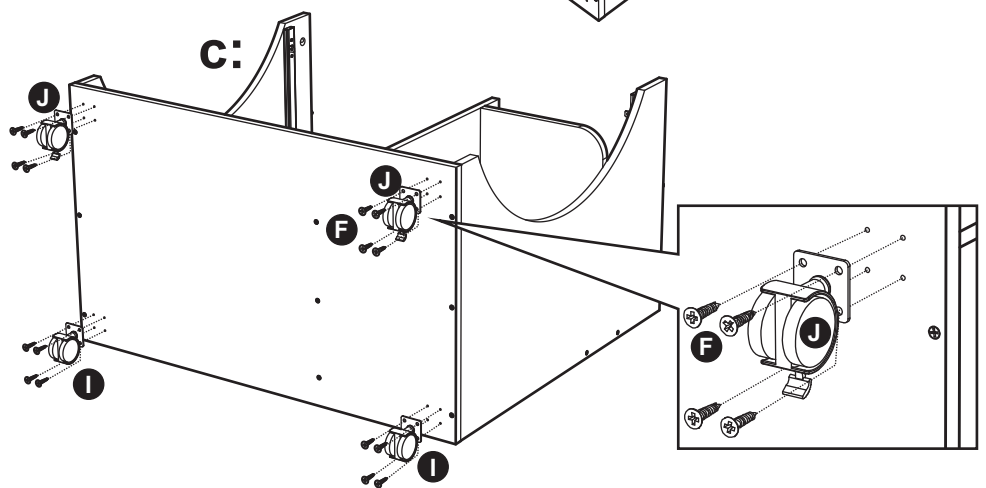
## Step 3 - continued

**b:** Use Screws **D** to fix Left side **2**, Right side **3** onto the unit.



**c:** Use Screws **F** to fix the Front castors **J** and Castors **I** onto the unit.

**Note:** The Front castors **J** feature a locking arm. We recommend you lock the castors when you have finally positioned the unit in place.

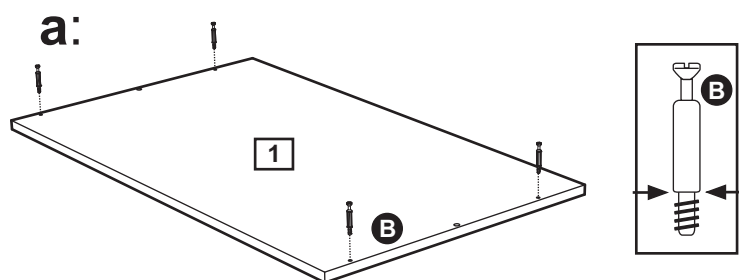


## Step 4

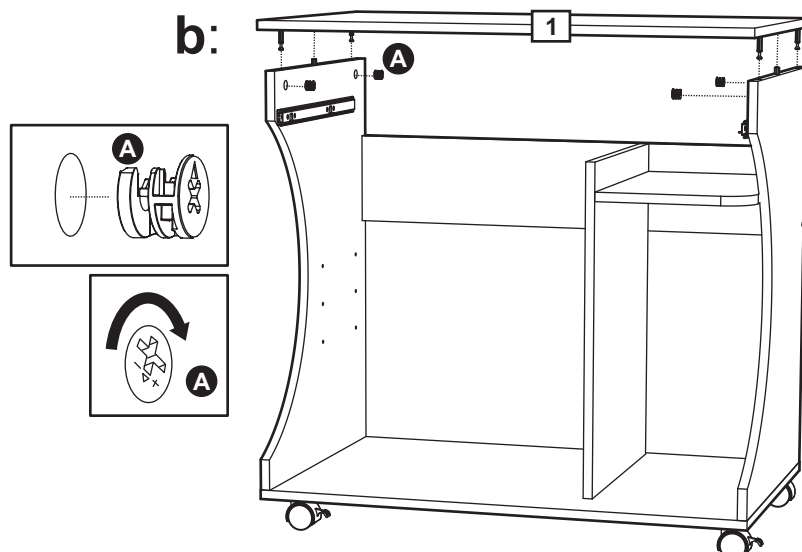
### Fitting the top panel

**Note:** It would be useful to ask someone to help you at this stage.

**a:** Screw in Locking pins **B** onto Top **1**.



**b:** Use Locking nuts **A** to fix the Table top **1** onto the unit.



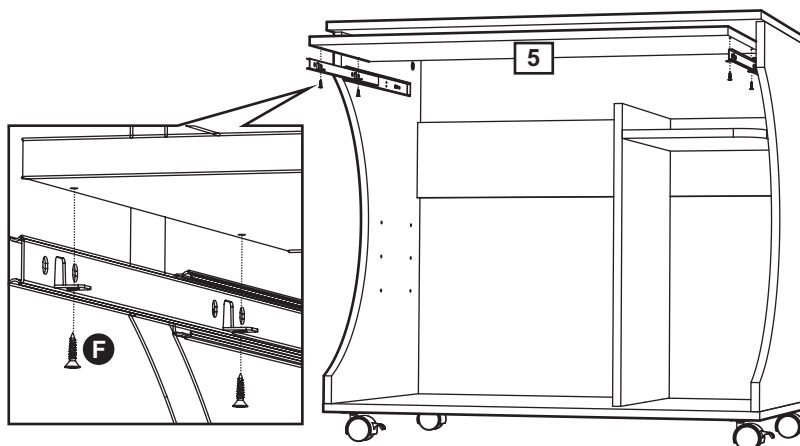
# Assembly Instructions

## Step 5

### Fitting the drawer panel

**Note:** It would be useful to ask someone to help you at this stage.

Use Screws **F** to fix the Keyboard **5** onto the unit.



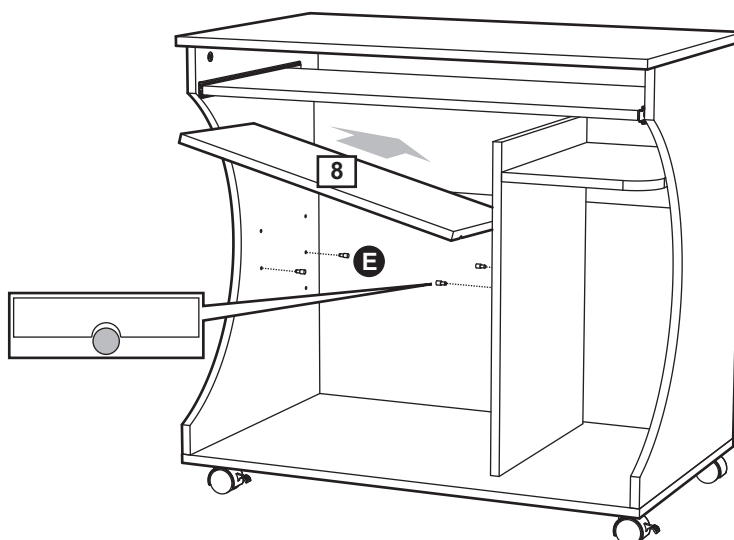
## Step 6

### Fitting the shelf

Place Shelf supports **E** into the unit.

Slide shelf **8** into the unit.

**Note:** Adjust the shelf supports to the desired height.

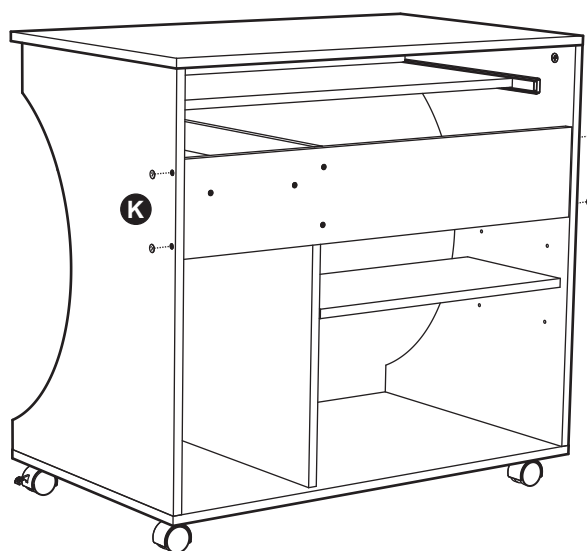


## Step 7

### Cover the screws

Use Cover caps **K** to cover the screws.

**Assembly is complete.**



If you need help or have damaged or missing parts, call the **Customer Helpline : 08456 400800**