

Square + 4 x 2

Assembly Instructions - Please keep for future reference

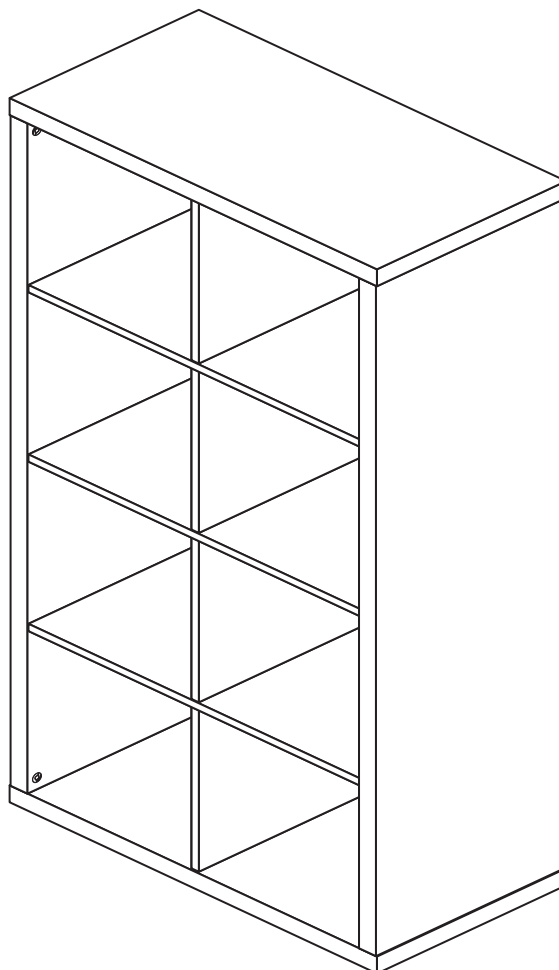
620/2493

616/6182

617/4260

622/9919

hygena



WARNING!

In order to prevent overturning, this product must be used with the 2 wall attachment devices provided

Dimensions

Width - 75.9cm

Depth - 39.1cm

Height - 145.5cm



**MADE IN
BRITAIN**

Important - Please read these instructions fully before starting assembly

If you need help or have damaged or missing parts, please visit www.argos-support.co.uk or email: Help@ClickSpares.co.uk (quoting your original order number)

Alternatively, call the Spares Helpline on: 0370 112 1928.

For any other queries please contact the Customer Helpline on: 0345 640 2020



Safety and Care Advice

Important - Please read these instructions fully before starting assembly

- **Warning:** This unit weighs approximately 35kgs. Please lift with care.

- Check you have all the components and tools listed on pages 2 and 3.

- Remove all fittings from the plastic bags and separate them into their groups.

- Keep children and animals away from the work area, small parts could choke if swallowed.

- Parts of the assembly will be easier with 2 people.

- Make sure you have enough space to layout the parts before starting.

- Do not stand or put weight on the product, this could cause damage.

- Assemble the item as close to its final position (in the same room) as possible.

- Assemble on a soft level surface to avoid damaging the unit or your floor (use opened out unit carton).



- We do not recommend the use of power drill/drivers **for inserting screws**, as this could damage the unit. Only use hand screwdrivers.

- **Safety note:** To prevent possible overbalancing this unit **must be secured** to a wall using the 2 overbalance protector kits supplied or, an alternative fixing method of your choice.

- Dispose of all packaging carefully and responsibly.

Care and maintenance

- Only clean using a damp cloth and mild detergent, do not use bleach or abrasive cleaners.

- From time to time check that there are no loose screws on this unit.

- This product should not be discarded with household waste. Take to your local authority waste disposal centre.

Note: If required the next page can be cut out and used as reference throughout the assembly. Keep this page with these instructions for future reference.

Components - Panels

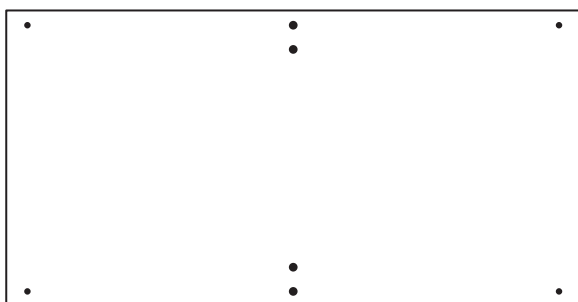
If you need help or have damaged or missing parts, please visit www.argos-support.co.uk or email: Help@ClickSpares.co.uk (quoting your original order number)

Alternatively, call the Spares Helpline on: 0370 112 1928.

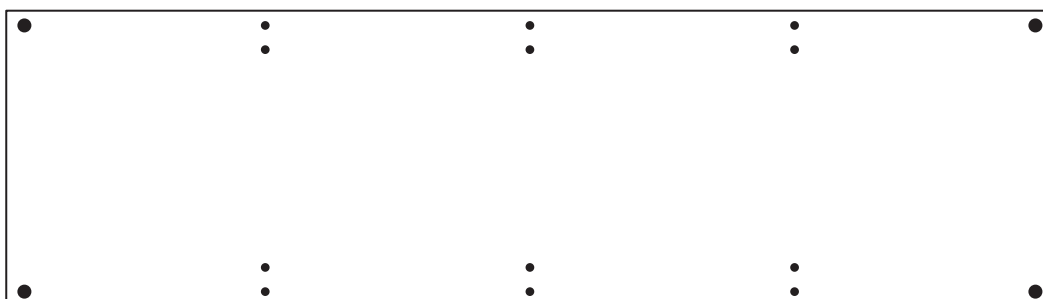
For any other queries please contact the Customer Helpline on: 0345 640 2020

Please check you have all the panels listed below

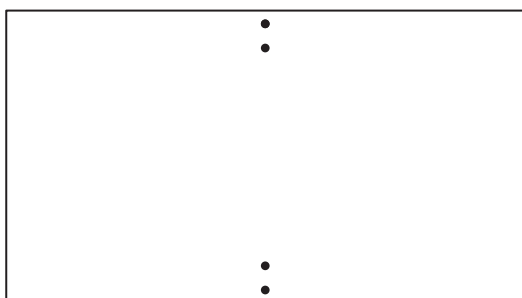
When applicable, remove any protective film from the panels before they are used



1 Top/Base (DF8709)
(75.9 x 39.1cm) x 2



2 End Panel (DF8714)
(138.5 x 39.1cm) x 2



3 Shelf Panel (DF8711)
(68.5 x 38.7cm) x 3



4 Divider (DF8712)
(33.5 x 38.3cm) x 4





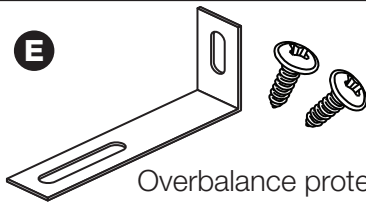


Components - Fittings

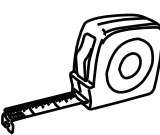



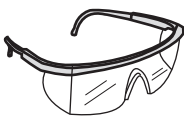

If you need help or have damaged or missing parts, please visit www.argos-support.co.uk or email: Help@ClickSpares.co.uk (quoting your original order number)
 Alternatively, call the Spares Helpline on: 0370 112 1928.
 For any other queries please contact the Customer Helpline on: 0345 640 2020

Please check you have all the fittings listed below

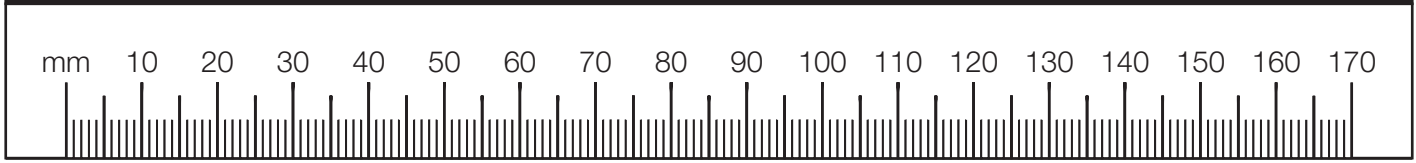
Note: The quantities below are the correct amount to complete the assembly. In some cases more fittings may be supplied than are required.

<p>A </p> <p>Large wooden dowel (F40) x 44</p>	<p>B </p> <p>Metal dowel (F649) x 8</p>	<p>C </p> <p>Minifix nut (F650) x 8</p>
<p>D </p> <p>Felt pad (F433) x 4</p>	<p>E </p> <p>Overbalance protector kit (F474) x 2</p>	

Tools required

 Rule	 Cross-head screwdriver	 Scissors	 Hammer	 Eye protection (when using a hammer or drill)	 Electric drill (do not use for fitting screws)
--	---	---	---	--	--

Ruler - Use this ruler to help correctly identify the screws



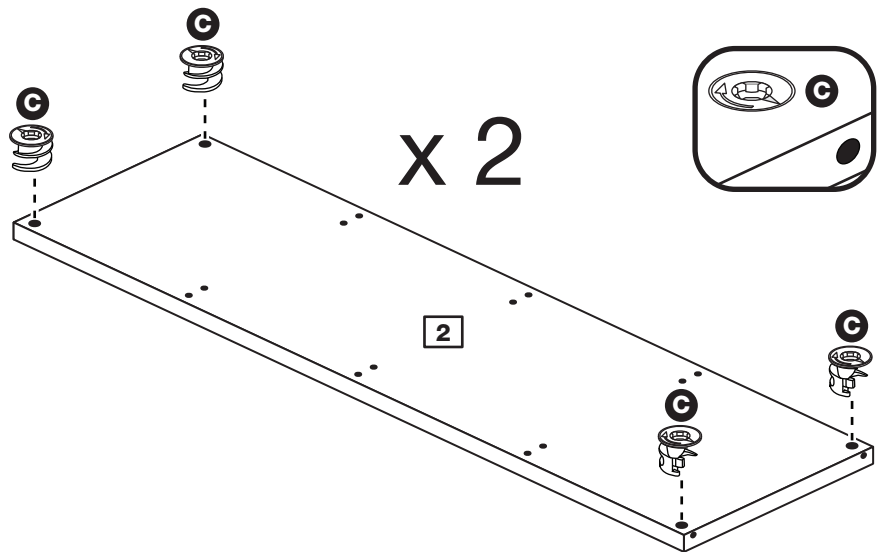
Assembly Instructions

Step 1

Prepare the 2 end panels

Insert 4 minifix nuts **C** into both of the end panels **2**.

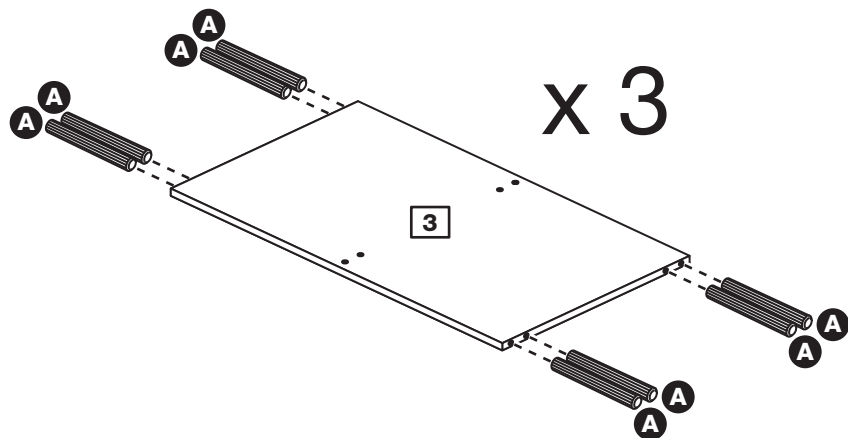
Note: The arrow on the minifix nuts **must** point towards the hole in the edge of the panel.



Step 2

Prepare the 3 shelves

Gently tap 8 long wooden dowels **A** into each shelf **3** until they "bottom out".

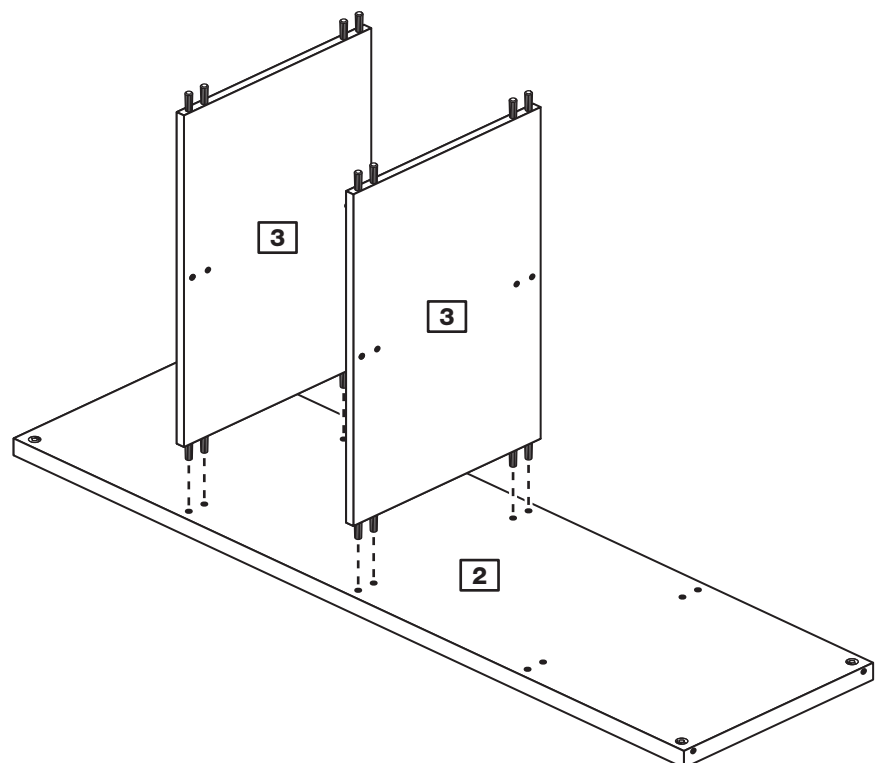


Step 3

Fit 2 shelves to an end panel

Push 2 of the shelves **3** down onto an end panel **2**.

Now carefully lay the unit onto its side.



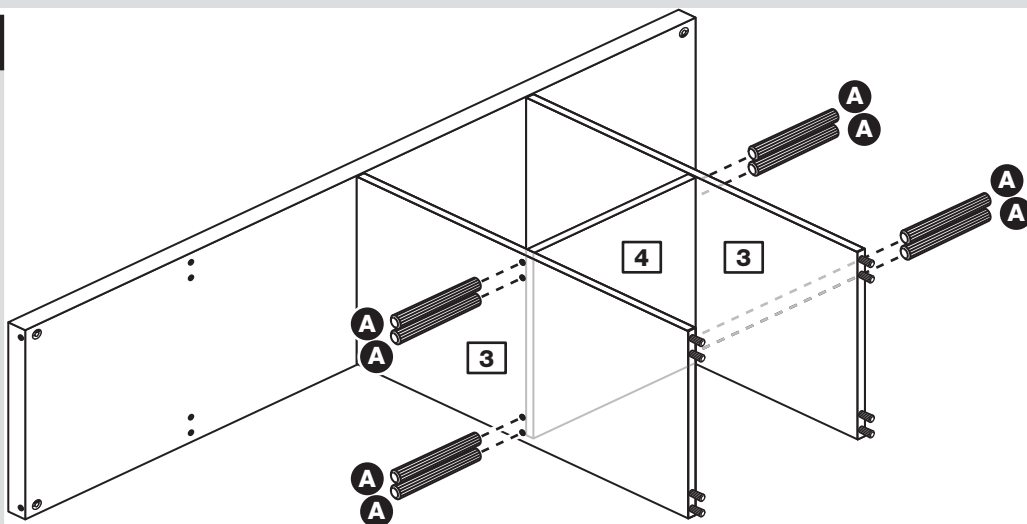
Assembly Instructions

Step 4

Fit a divider

Position a divider **4** between the 2 shelves **3**.

Gently tap 4 long wooden dowels **A** through the holes in each shelf **3** and into the divider **4** until they "bottom out".



Step 5

Fit another divider

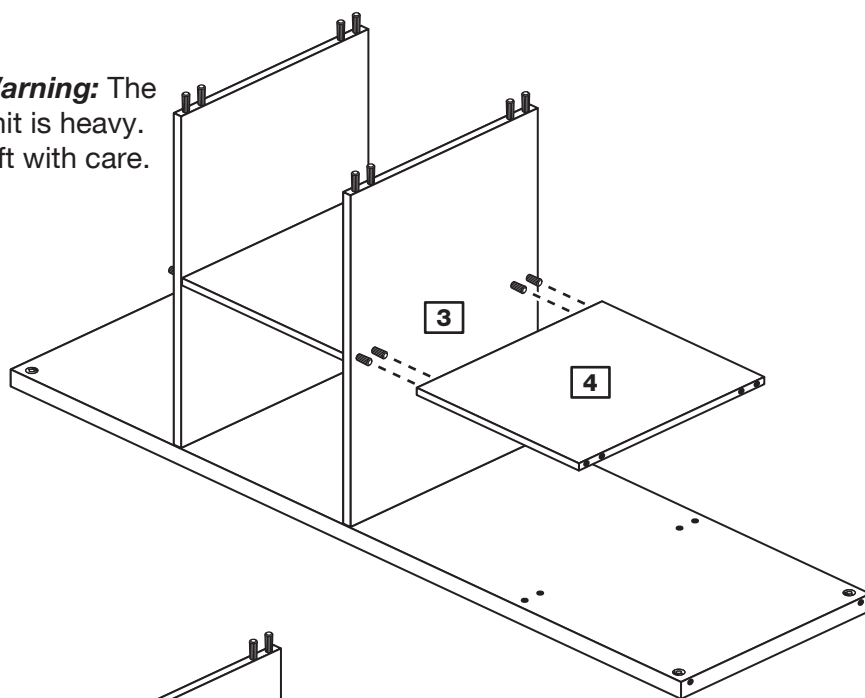
Carefully turn the unit back onto its end panel.

Push a divider **4** onto the shelf **3**.

Note: Support this divider until the final shelf has been fitted in the next step.



Warning: The unit is heavy. Lift with care.

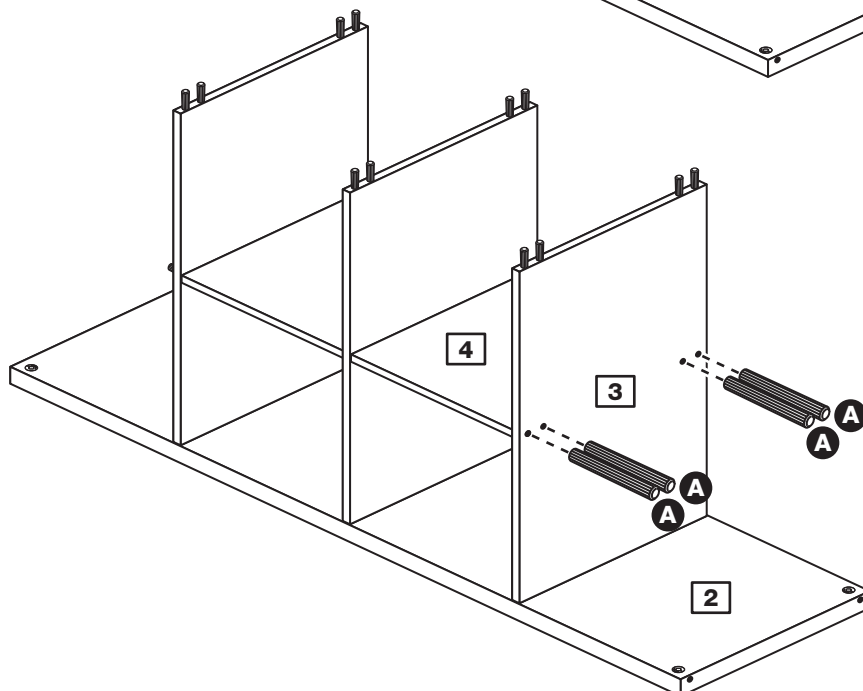


Step 6

Fit the final shelf

Push the shelf **3** down onto the end panel **2**.

Gently tap 4 long wooden dowels **A** through the holes in the shelf **3** and into the divider **4** until they "bottom out".

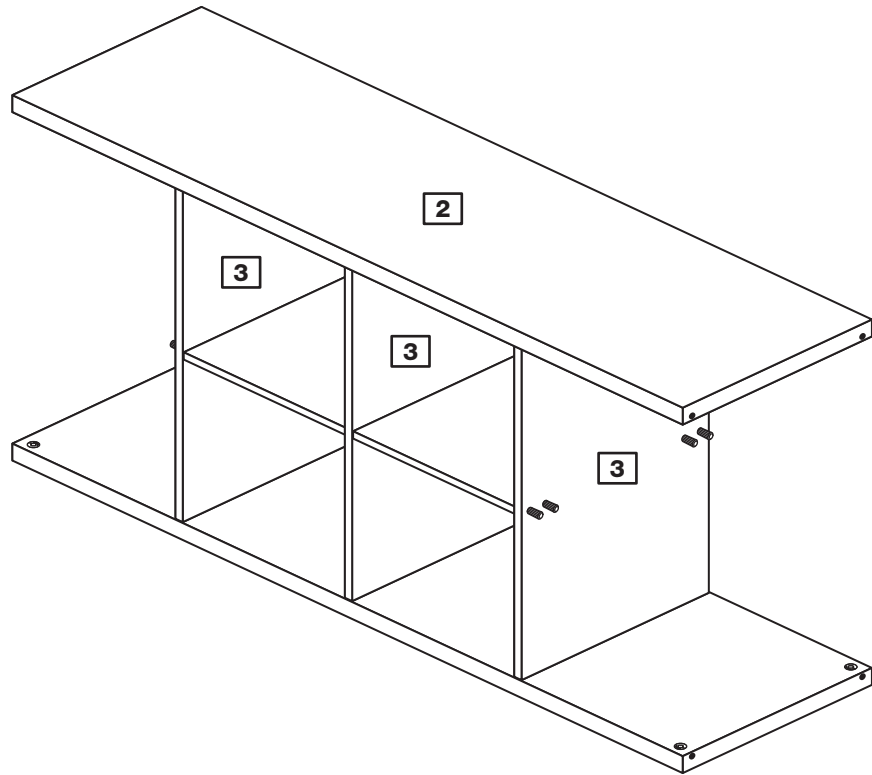


Assembly Instructions

Step 7

Fit the remaining end panel

Push the remaining end panel **2** down onto the 3 shelves **3**.



Step 8

Fit a divider

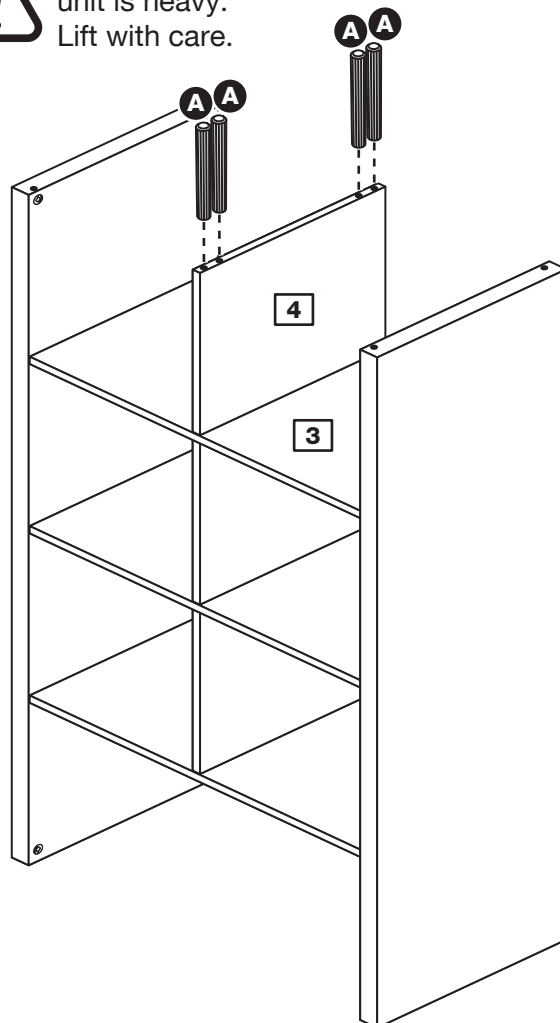
Carefully stand the unit upright.

Push a divider **4** down onto the shelf **3**.

Gently tap 4 long wooden dowels **A** into the divider **4** until they "bottom out".



Warning: The unit is heavy. Lift with care.



Assembly Instructions

Step 9

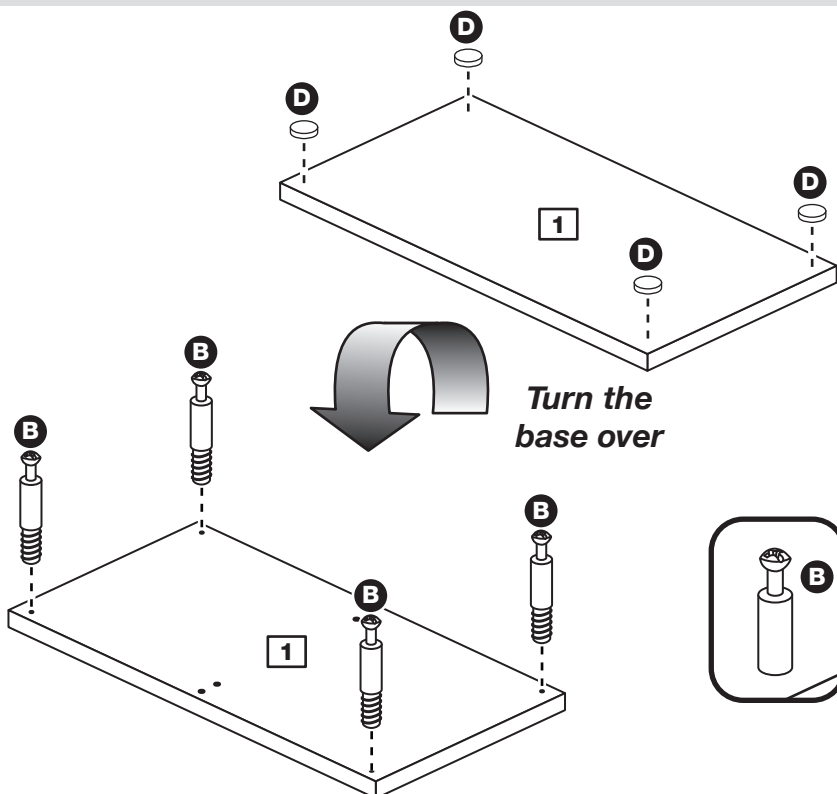
Prepare the base panel

Stick a felt pad **D** into each corner of the base panel **1**.

Turn the base over

Screw 4 metal dowels **B** into the base panel **1**.

Note: Tighten the metal dowels up fully against the panels.



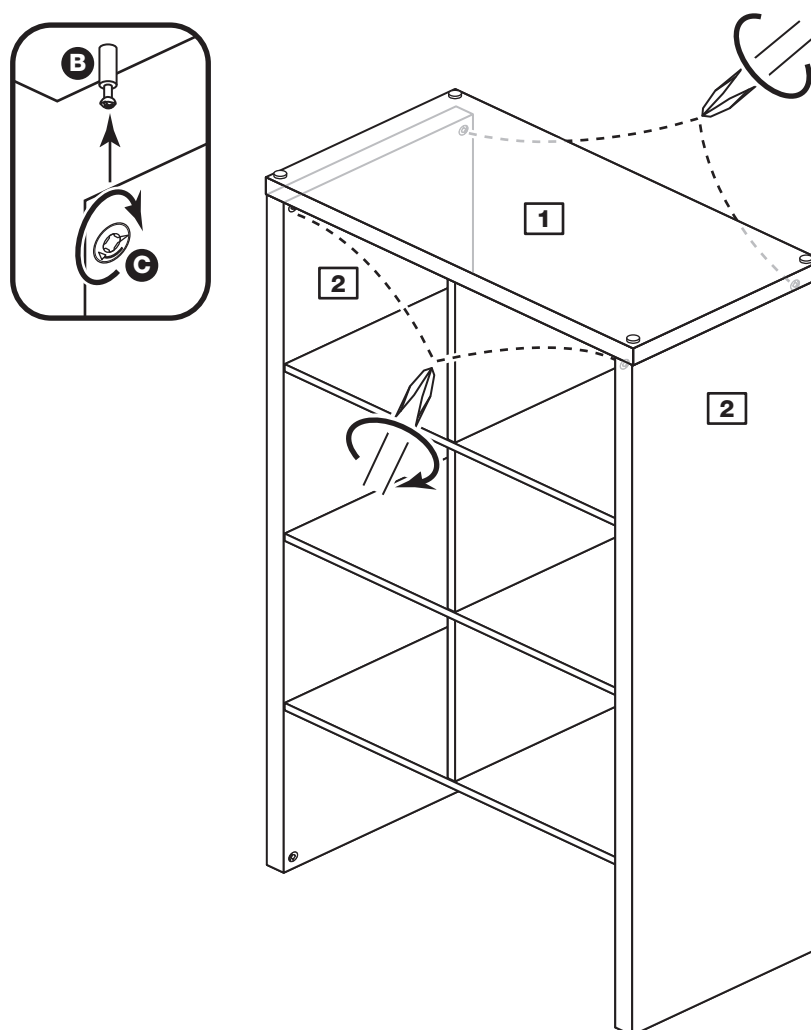
Step 10

Fit the base panel

Push the base **1** down onto the assembly.

Use a screwdriver to tighten the 2 minifix nuts **C** fitted to each of the end panels **2**.

Note: Turn the minifix nuts **C** as far as they will go - more than 1/2 a turn.



Assembly Instructions

Step 11

Fit the final divider

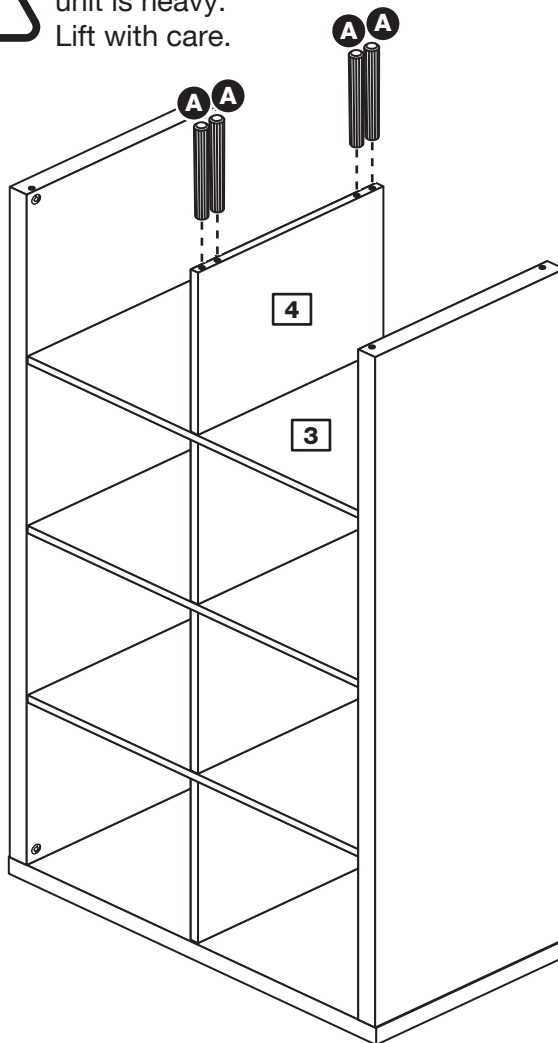
Carefully turn the unit over.

Push a divider **4** down onto the shelf **3**.

Gently tap 4 long wooden dowels **A** into the divider **4** until they "bottom out".



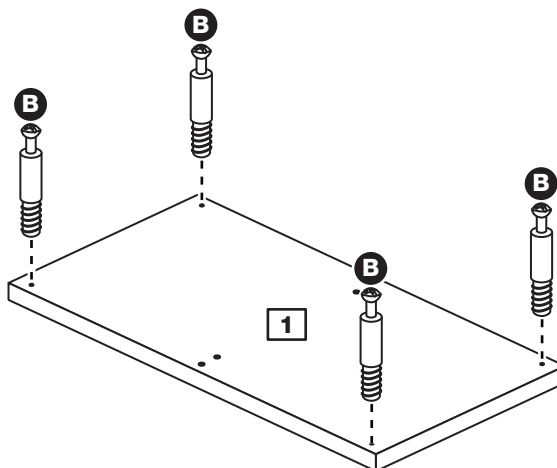
Warning: The unit is heavy. Lift with care.



Step 12

Prepare the top panel

Screw 4 metal dowels **B** into the top panel **1**.



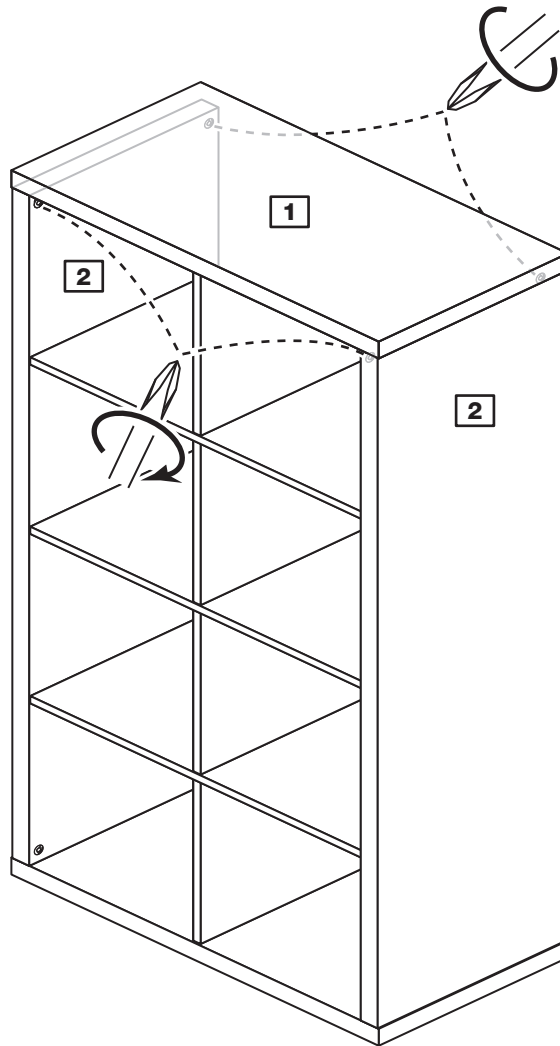
Assembly Instructions

Step 13

Fit the top panel

Push the top **1** down onto the assembly.

Use a screwdriver to tighten the 2 minifix nuts **C** fitted to each of the end panels **2**.



Assembly Instructions

Step 14

Fit the 2 overbalance protector kits

Important: A bracket **must be fitted** on both sides of the unit and they must be at least 25mm in from the end panels.

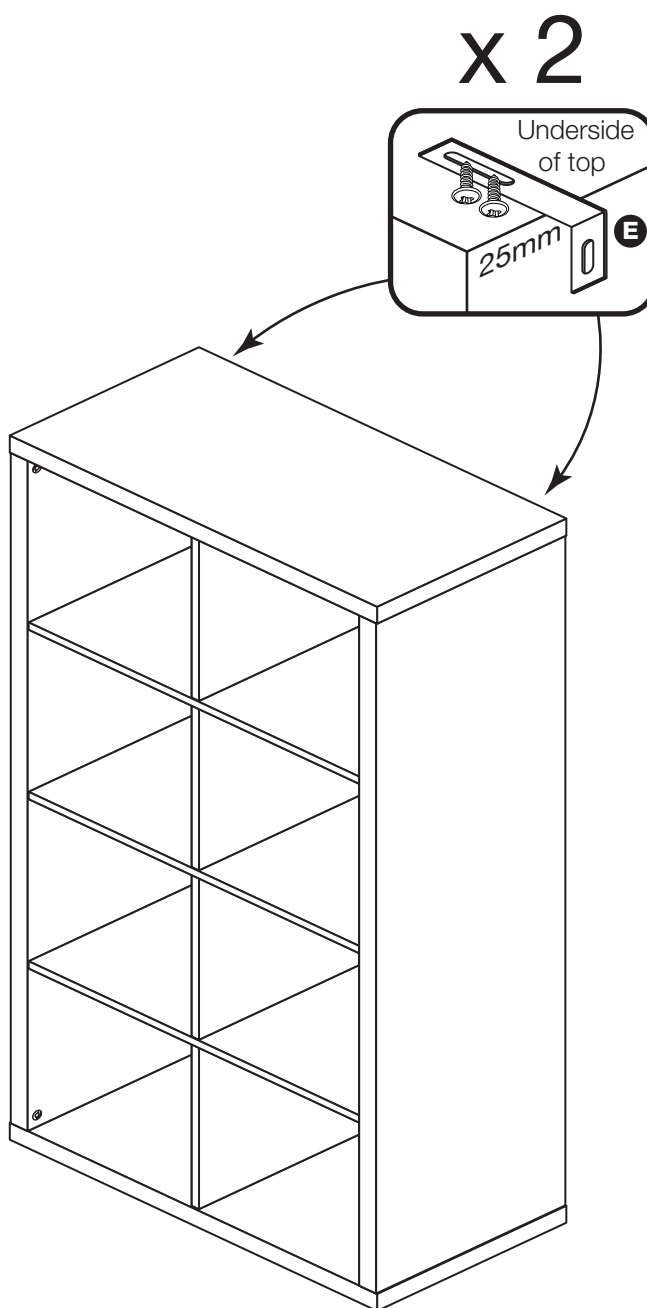
To prevent possible overbalancing this unit **must be secured** to a suitable wall by fitting of the 2 overbalance protector kits **E** to the unit, or an alternative fixing method of your choice.

Wall fixings are not supplied as they will need to suit the wall type.

Note: Take care when drilling the wall that you do not drill into any pipes, wires etc. If in doubt, consult an expert.

Assembly is complete

WARNING!
In order to prevent overturning this product must be used with the 2 wall attachment devices provided

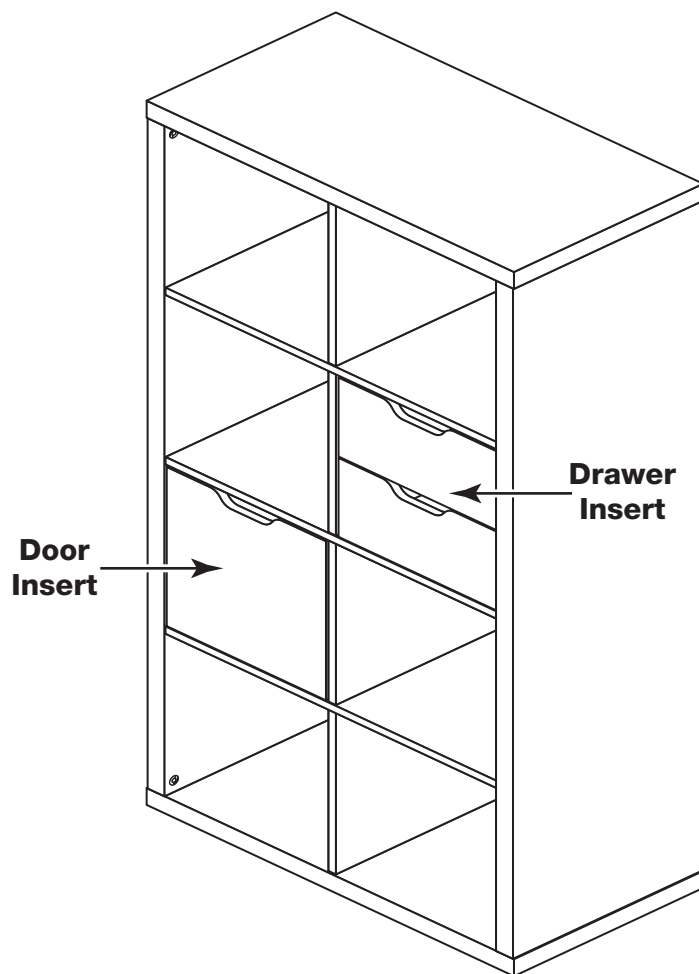


Assembly Instructions

Step 15

If required, fit your door or drawer inserts

If you have purchased door or drawer inserts, please refer to the assembly instructions packed with them.



If you need help or have damaged or missing parts, please visit www.argos-support.co.uk or email: Help@ClickSpares.co.uk (quoting your original order number)
Alternatively, call the Spares Helpline on: 0370 112 1928.
For any other queries please contact the Customer Helpline on: 0345 640 2020