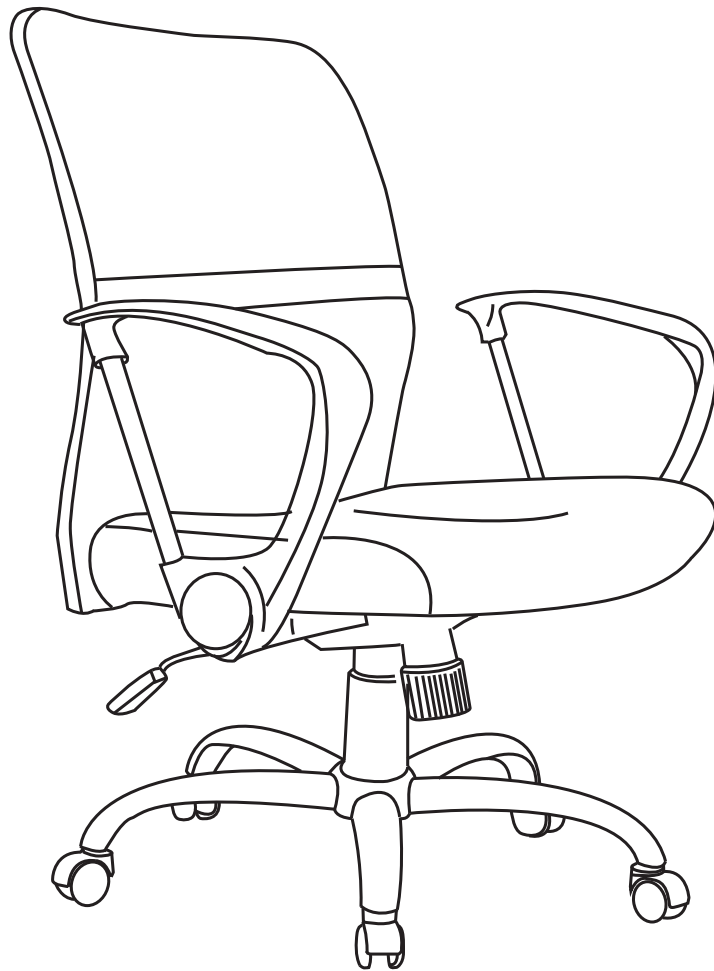


Mid Back Mesh Chair

Assembly Instructions - Please keep for future reference

6172846



Dimensions

Width - 58cm

Depth - 57cm

Height - 92.5/102.5cm

Important – Please read these instructions fully before starting assembly

If you need help or have damaged or missing parts, call the **Customer Helpline: 0845 640 0800**



Safety and Care Advice

Important – Please read these instructions fully before starting assembly

- Check you have all the components and tools listed on pages 3 and 4.
- Remove all fittings from the plastic bags and separate them into their groups.
- Keep children and animals away from the work area, small parts could choke if swallowed.
- Make sure you have enough space to layout the parts before starting.

- Do not stand or put weight on the product during assembly, this could cause damage.
- Assemble the item as close to its final position (in the same room) as possible.
- Assemble on a soft level surface to avoid damaging the unit or your floor.
- Parts of the assembly will be easier with 2 people.



- We do not recommend the use of power drill/drivers **for inserting screws**, as this could damage the unit. Only use hand screwdrivers.
- Dispose of all packaging carefully and responsibly.

Care and maintenance

- From time to time check that there are no loose screws on this unit.
- To avoid any risk of suffocation to animals or children dispose of the plastic bags immediately .
- As with all surfaces clean with a damp cloth and mild detergent, do not use bleach or abrasive products.
- This product should not be discarded with household waste. Take to your local authority waste disposal centre.

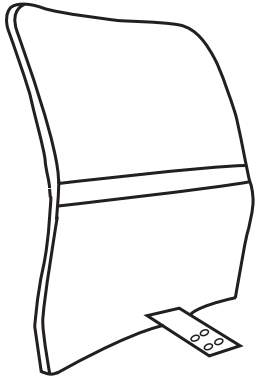
Safety during use

- Do not stand on this chair. Do not use this chair as a step ladder .
- Use this product only for seating one person at a time.
- Do not use this chair unless all bolts,screws and knobs are firmly secured.
- At least every 4 months, check all bolts, screws and knobs , to be sure they are tight .
- If parts are missing, broken or damaged or worn, stop use of this product until repairs are made & using factory authorized parts .
- Failure to follow these warnings could result in serious injury.

Note: if required the next page can be cut out and used as reference throughout the assembly. Keep this page with these instructions for future reference.

Components - Parts

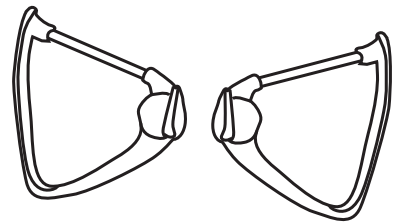
Please check you have all the parts listed below



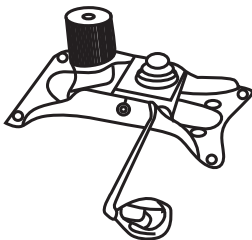
1 Backrest x1 (59x45cm)



2 Seat x 1 (46x46cm)



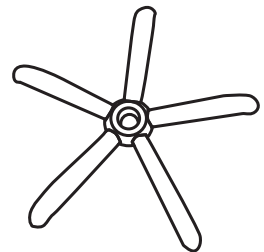
3 Left armrest x1 & Right armrest x 1



4 Seat plate x 1 (AJ19 A-2)



5 Gas lift x 1 (100mm)



6 Base x 1 (320mm)



7 Castors x 5 (R50mm)






8 Gas lift cover x 1

Components - Fittings

If you have damaged or missing components, call the **Customer Helpline:0845 640 0800**

Please check you have all the fittings listed below.

Note: The quantities below are the correct amount to complete the assembly.
In some cases more fittings may be supplied than are required.

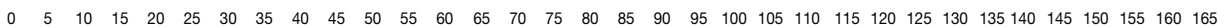
A  20mm Bolts x 4	B  25mm Bolts x6	C  30mm Bolts x 4

Tools required



M6 Allen key (supplied)

Ruler - Use this ruler to help correctly identify the screws



Assembly Instructions

Step 1

Fitting the base

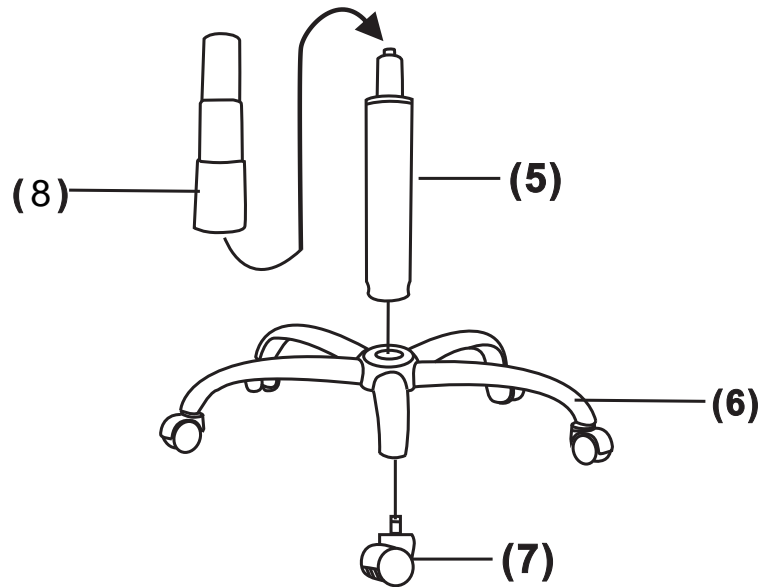
a: Push all the five castors **(7)** into the underside of the base **(6)**.

NOTE: Ensure all the castors are firmly located on the base.

b: Insert the gas lift **(5)** into the base **(6)**.

Put the gaslift cover **(8)** on to the gaslift **(5)**.

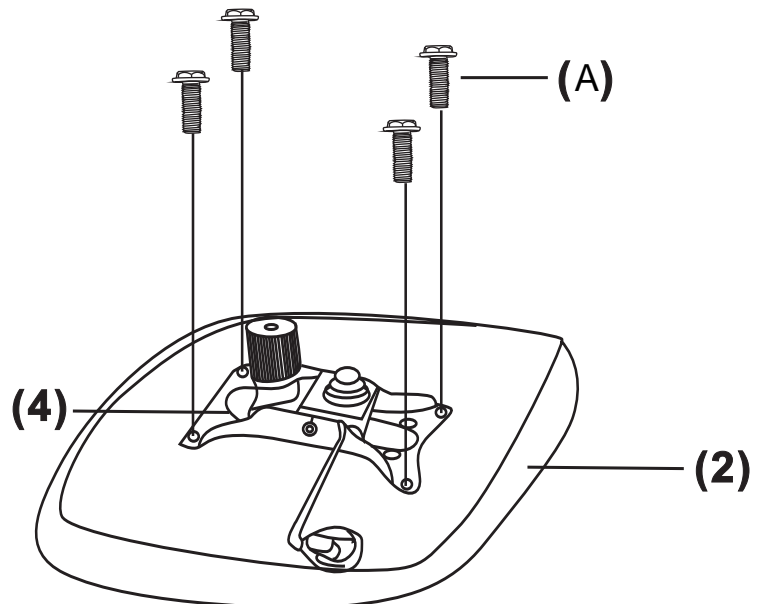
NOTE: Ensure the gas lift is fully inserted and well fitted.



Fitting the Seat Cushion

Use bolts **(A)** to fix the seat plate **(4)** onto the seat **(2)**. Ensure the support is fitted to the seat with correct orientation.

NOTE: It would be useful to ask someone to help you at this stage.



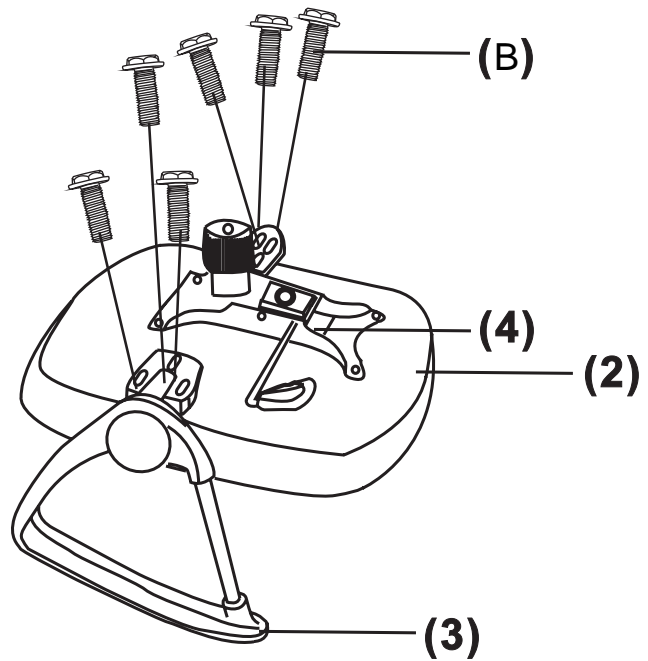
Assembly Instructions

Step 2

Fitting the Armrests

Use bolts **(B)** to fix the left armrest and right armrest **(3)** onto the unit.

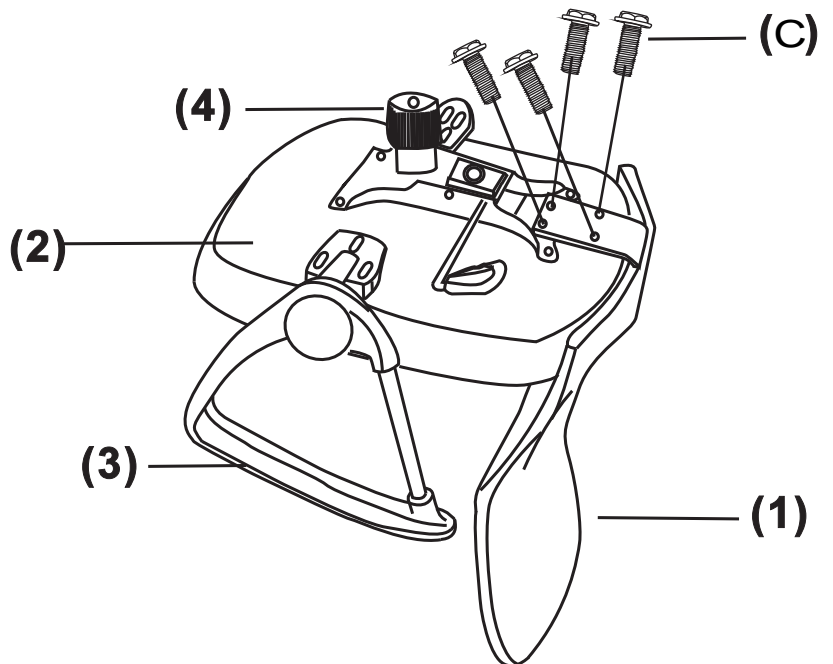
NOTE: It would be useful to ask someone to help you at this stage.



Step 3

Fitting the Backrest

Use bolts **(C)** and to fix the backrest **(1)** onto the seat plate.

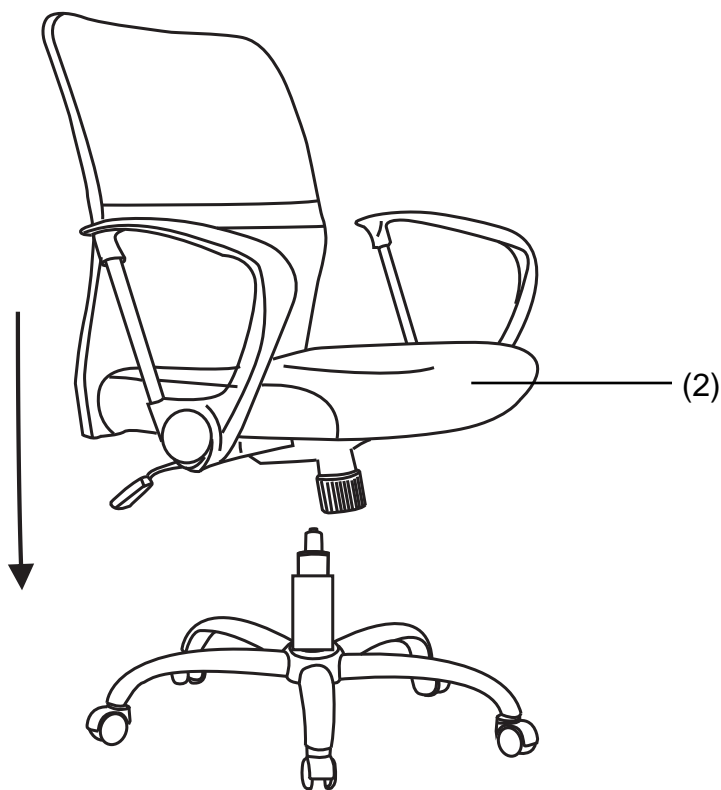


Assembly Instructions

Step 4

Fitting the Unit

Carefully locate the seat **2** onto the base unit.

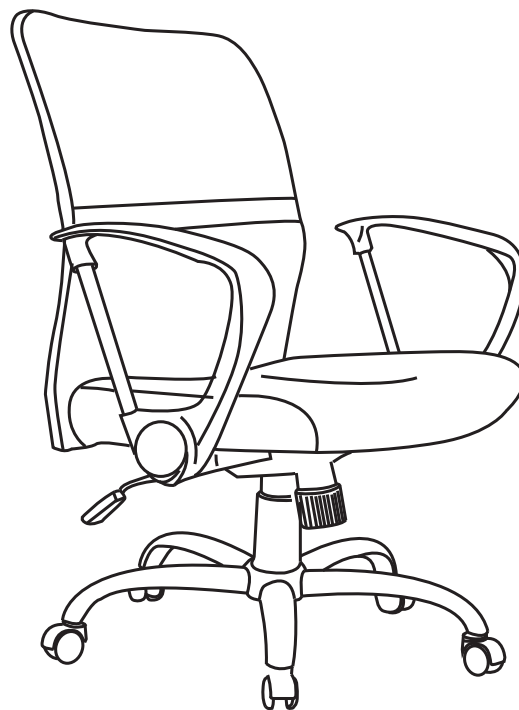


Step 5

Finishing the Unit

Carefully place the unit in the desired location.

Assembly is complete.

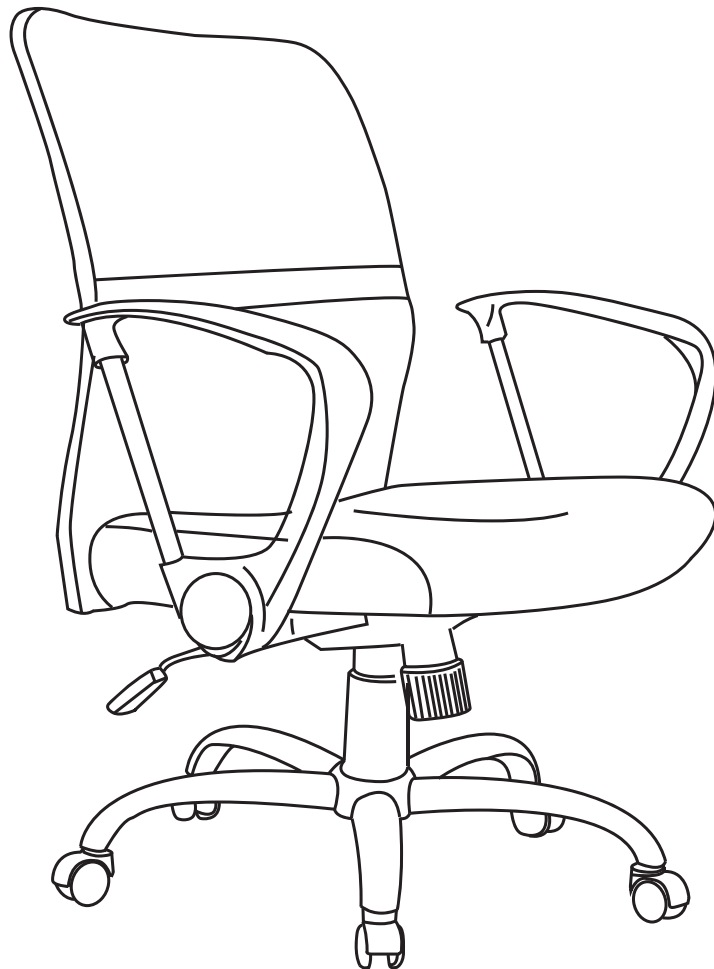


If you need help or have damaged or missing parts, call the **Customer Helpline: 0845 640 0800**
489-499 Avebury Boulevard Milton Keynes MK9 2NW, Argos Limited

Mid Back Mesh Chair

Assembly Instructions - Please keep for future reference

6172846



Dimensions

Width - 58cm

Depth - 57cm

Height - 92.5/102.5cm

Important – Please read these instructions fully before starting assembly

If you need help or have damaged or missing parts, call the **Customer Helpline: 0845 640 0800**



Safety and Care Advice

Important – Please read these instructions fully before starting assembly

- Check you have all the components and tools listed on pages 3 and 4.
- Remove all fittings from the plastic bags and separate them into their groups.
- Keep children and animals away from the work area, small parts could choke if swallowed.
- Make sure you have enough space to layout the parts before starting.

- Do not stand or put weight on the product during assembly, this could cause damage.
- Assemble the item as close to its final position (in the same room) as possible.
- Assemble on a soft level surface to avoid damaging the unit or your floor.
- Parts of the assembly will be easier with 2 people.



- We do not recommend the use of power drill/drivers **for inserting screws**, as this could damage the unit. Only use hand screwdrivers.
- Dispose of all packaging carefully and responsibly.

Care and maintenance

- From time to time check that there are no loose screws on this unit.
- To avoid any risk of suffocation to animals or children dispose of the plastic bags immediately .
- As with all surfaces clean with a damp cloth and mild detergent, do not use bleach or abrasive products.
- This product should not be discarded with household waste. Take to your local authority waste disposal centre.

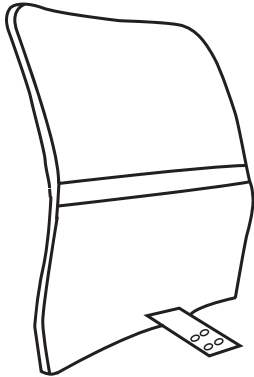
Safety during use

- Do not stand on this chair. Do not use this chair as a step ladder .
- Use this product only for seating one person at a time.
- Do not use this chair unless all bolts,screws and knobs are firmly secured.
- At least every 4 months, check all bolts, screws and knobs , to be sure they are tight .
- If parts are missing, broken or damaged or worn, stop use of this product until repairs are made & using factory authorized parts .
- Failure to follow these warnings could result in serious injury.

Note: if required the next page can be cut out and used as reference throughout the assembly. Keep this page with these instructions for future reference.

Components - Parts

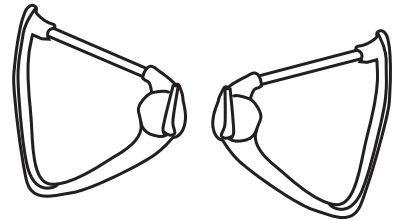
Please check you have all the parts listed below



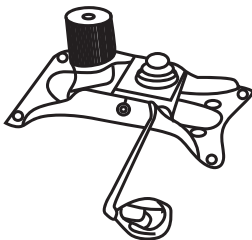
1 Backrest x1 (59x45cm)



2 Seat x 1 (46x46cm)



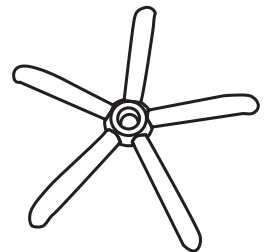
3 Left armrest x1 & Right armrest x 1



4 Seat plate x 1 (AJ19 A-2)



5 Gas lift x 1 (100mm)



6 Base x 1 (320mm)



7 Castors x 5 (R50mm)






8 Gas lift cover x 1

Components - Fittings

If you have damaged or missing components, call the **Customer Helpline:0845 640 0800**

Please check you have all the fittings listed below.

Note: The quantities below are the correct amount to complete the assembly.
In some cases more fittings may be supplied than are required.

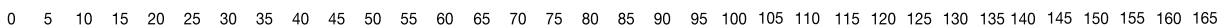
A  20mm Bolts x 4	B  25mm Bolts x6	C  30mm Bolts x 4

Tools required



M6 Allen key (supplied)

Ruler - Use this ruler to help correctly identify the screws



Assembly Instructions

Step 1

Fitting the base

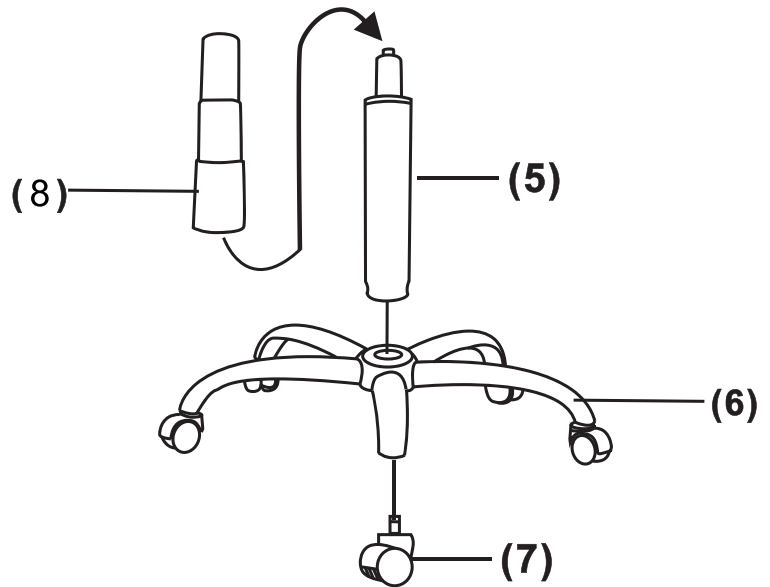
a: Push all the five castors **(7)** into the underside of the base **(6)**.

NOTE: Ensure all the castors are firmly located on the base.

b: Insert the gas lift **(5)** into the base **(6)**.

Put the gaslift cover **(8)** on to the gaslift **(5)**.

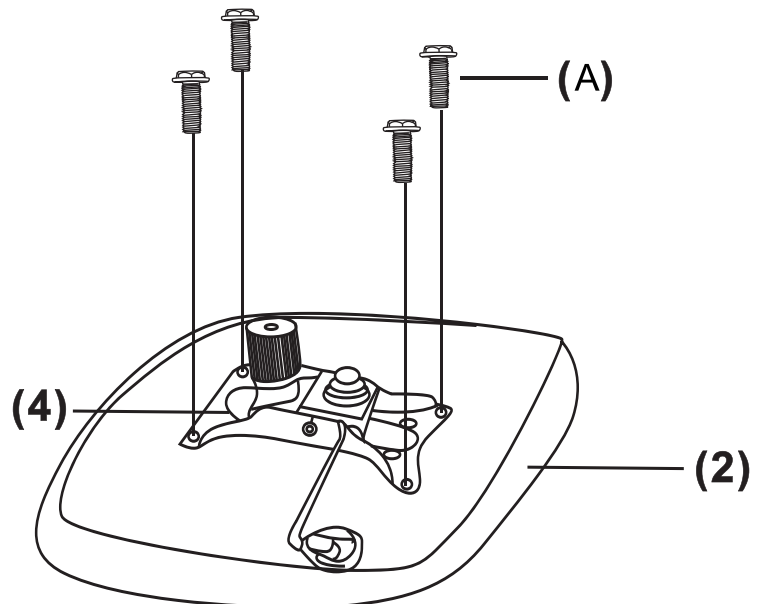
NOTE: Ensure the gas lift is fully inserted and well fitted.



Fitting the Seat Cushion

Use bolts **(A)** to fix the seat plate **(4)** onto the seat **(2)**. Ensure the support is fitted to the seat with correct orientation.

NOTE: It would be useful to ask someone to help you at this stage.



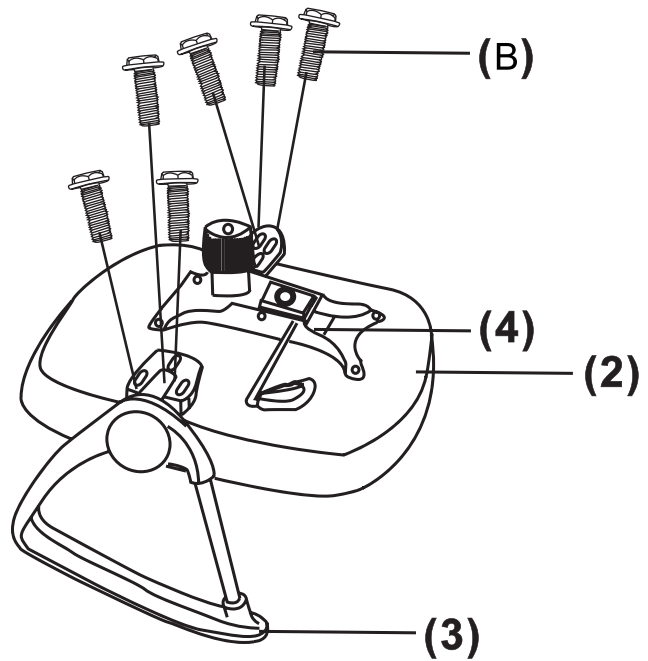
Assembly Instructions

Step 2

Fitting the Armrests

Use bolts **(B)** to fix the left armrest and right armrest **(3)** onto the unit.

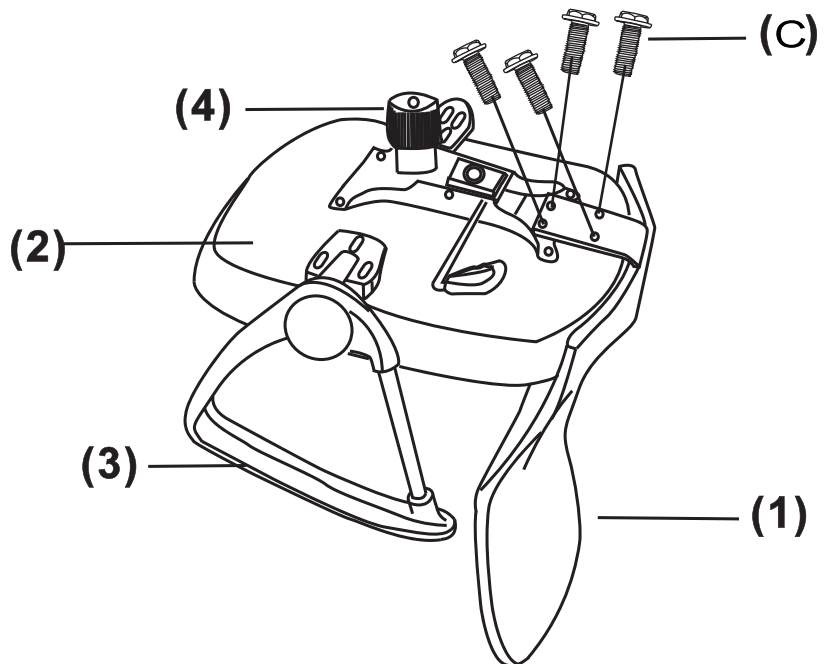
NOTE: It would be useful to ask someone to help you at this stage.



Step 3

Fitting the Backrest

Use bolts **(C)** and to fix the backrest **(1)** onto the seat plate.

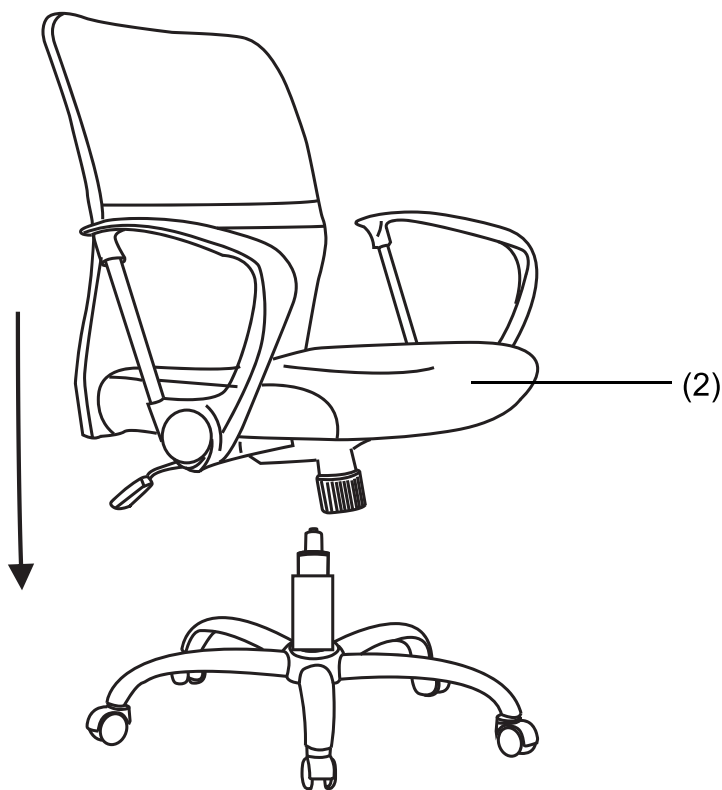


Assembly Instructions

Step 4

Fitting the Unit

Carefully locate the seat **2** onto the base unit.

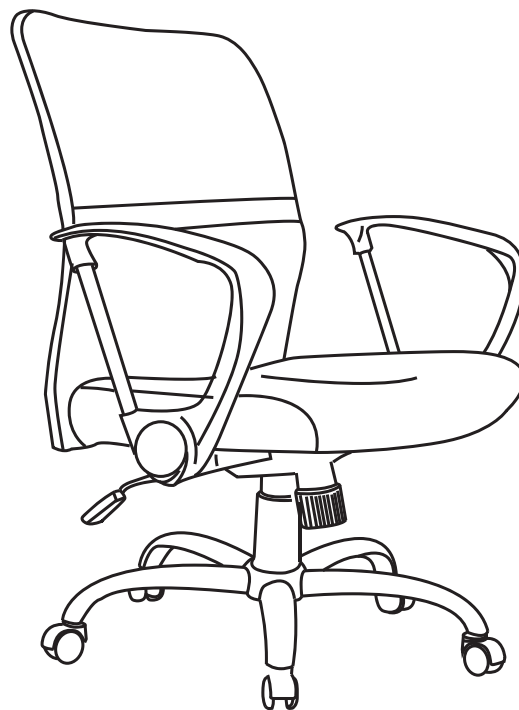


Step 5

Finishing the Unit

Carefully place the unit in the desired location.

Assembly is complete.



If you need help or have damaged or missing parts, call the **Customer Helpline: 0845 640 0800**
489-499 Avebury Boulevard Milton Keynes MK9 2NW, Argos Limited