

Caspian - Desk

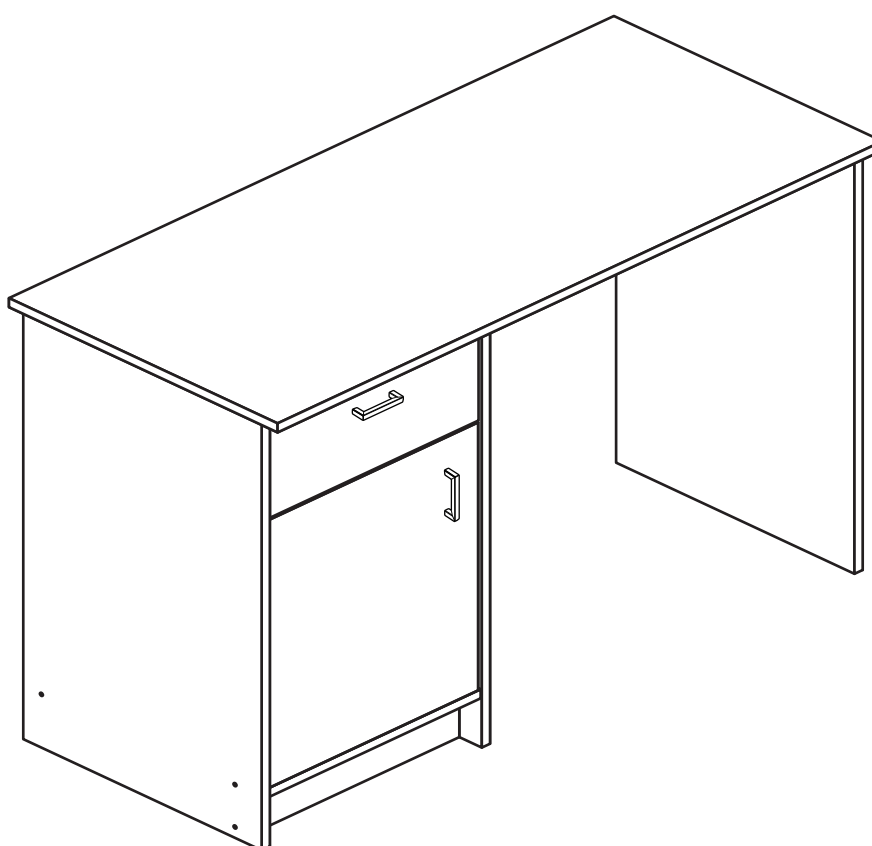
Assembly Instructions - Please keep for future reference

617/1892

617/1919

617/1926

617/1919



Dimensions

Width - 100cm

Depth - 45cm

Height - 72cm



**MADE IN
BRITAIN**

Important - Please read these instructions fully before starting assembly

If you need help or have damaged or missing parts, call the **Customer Helpline: 08456 400800**



Safety and Care Advice

Important - Please read these instructions fully before starting assembly

- **Warning:** This unit weighs approximately 22kgs. Please lift with care.

- Check you have all the components and tools listed on pages 2 and 3.

- Remove all fittings from the plastic bags and separate them into their groups.

- Keep children and animals away from the work area, small parts could choke if swallowed.

- Make sure you have enough space to layout the parts before starting.

- Do not stand or put weight on the product, this could cause damage.

- Assemble the item as close to its final position (in the same room) as possible.

- Assemble on a soft level surface to avoid damaging the unit or your floor (use opened out unit carton).



- We do not recommend the use of power drill/drivers **for inserting screws**, as this could damage the unit. Only use hand screwdrivers.

- **Safety note:** If there is any chance of this unit being pulled over by children etc. it is recommended that the unit is secured to a wall using suitable fixings (not supplied).

- Dispose of all packaging carefully and responsibly.

Care and maintenance

- Only clean using a damp cloth and mild detergent, do not use bleach or abrasive cleaners.

- From time to time check that there are no loose screws on this unit.

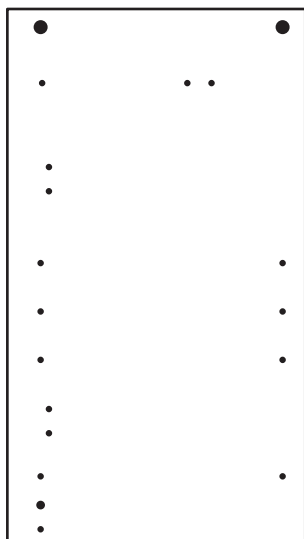
- This product should not be discarded with household waste. Take to your local authority waste disposal centre.

Note: If required the next page can be cut out and used as reference throughout the assembly. Keep this page with these instructions for future reference.

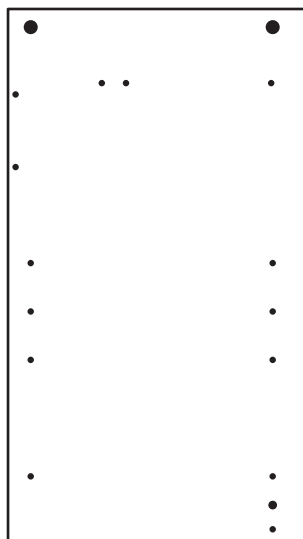
Components - Panels

If you have damaged or missing components, call the **Customer Helpline: 08456 400800** quoting the reference numbers below

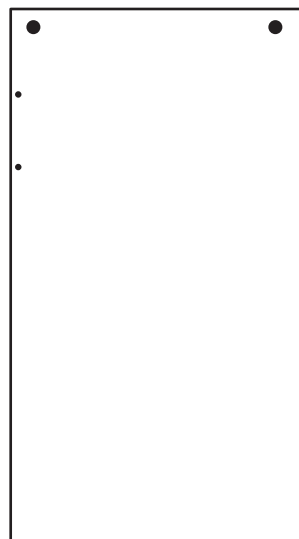
Please check you have all the panels listed below



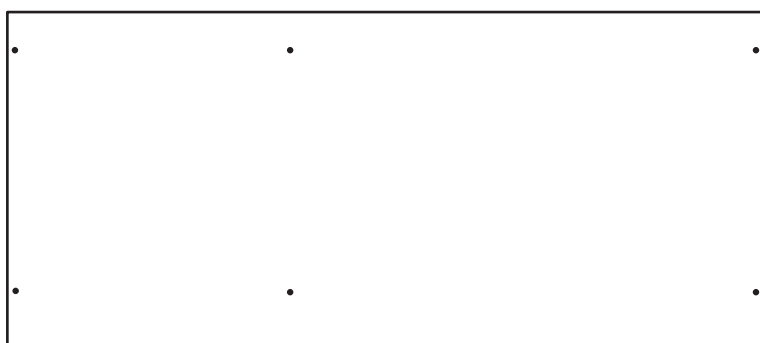
1 Left Side (D0367A)
(706 x 394mm)



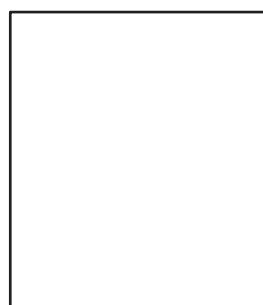
2 Upright (D0368A)
(706 x 394mm)



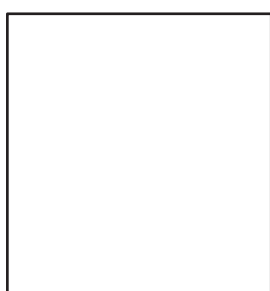
3 Right Side (D0276A)
(706 x 394mm)



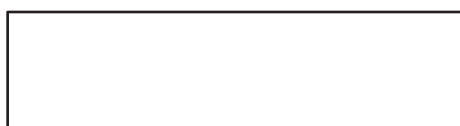
4 Top (D0275A)
(1000 x 444mm)



5 Base (D0282A)
(349 x 392mm)



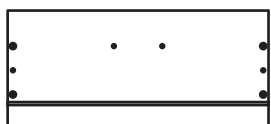
6 Shelf (D0285A)
(349 x 373mm)



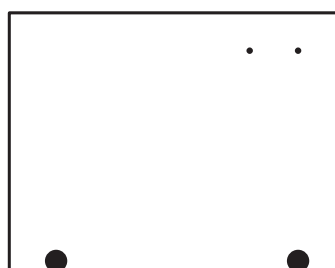
7 Modesty (D0277A)
(602 x 157mm)



8 Plinth (D0022A)
(349 x 80mm)



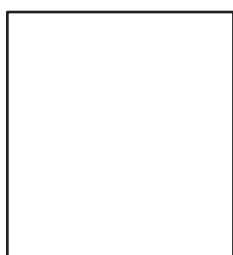
9 Drawer Front (D0284A)
(345 x 157mm)



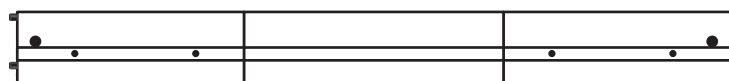
12 Door (D0288A)
(443 x 345mm)



13 Back (X725)
(626 x 373mm)



10 Drawer Base (T161)
(299 x 330mm)



11 Drawer Wrap (W161)
(943 x 95mm)

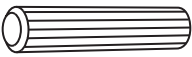
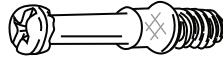
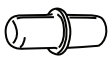
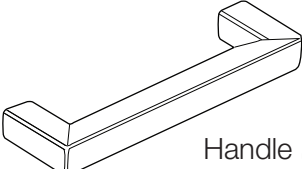




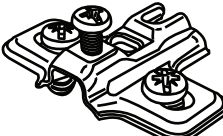

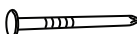



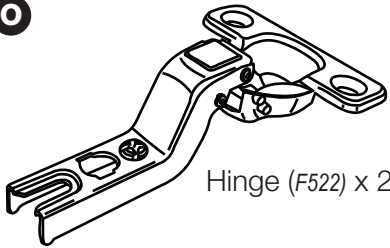



Components - Fittings

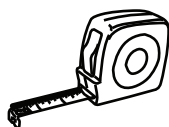
If you have damaged or missing components, call the **Customer Helpline: 08456 400800** quoting the reference numbers below

Please check you have all the fittings listed below

Note: The quantities below are the correct amount to complete the assembly. In some cases more fittings may be supplied than are required.

<p>A </p> <p>Wooden dowel (F22) x 2</p>	<p>B </p> <p>Metal dowel (F901) x 8</p>	<p>C </p> <p>Shelf stud (F110) x 4</p>
<p>D </p> <p>Handle (F923) x 2</p>	<p>E </p> <p>Large locking nut (F900) x 6</p>	<p>F </p> <p>Small locking nut (F3) x 2</p>
<p>G </p> <p>40mm Screw (F910) x 10</p>	<p>H </p> <p>19mm Screw (F461) x 4</p>	<p>I </p> <p>Hinge plate (F523) x 2</p>
<p>J </p> <p>13mm Screw (F63) x 4</p>	<p>K </p> <p>Nail (F51) x 30</p>	<p>L </p> <p>Nail holder (F149) x 1</p>
<p>M </p> <p>9mm Screw (F74) x 2</p>	<p>N </p> <p>9mm Screw (F73) x 4</p>	<p>O </p> <p>Hinge (F522) x 2</p>
<p>P </p> <p>Drawer runner (F1004) x 2</p>		

Tools required



Rule



Cross-head screwdriver



Scissors

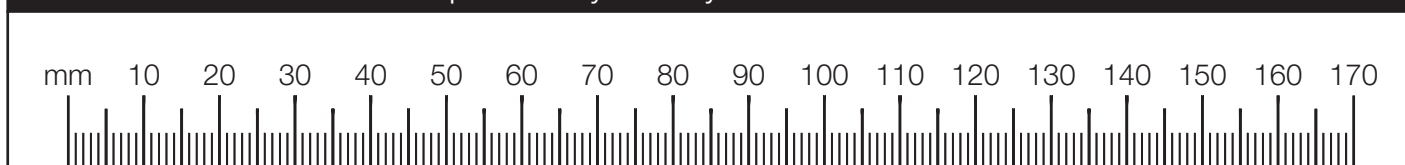


Hammer



Eye protection (when using a hammer or drill)

Ruler - Use this ruler to help correctly identify the screws



Assembly Instructions

If you have damaged or missing components, call the
Customer Helpline: 08456 400800 quoting the reference
numbers below

Step 1

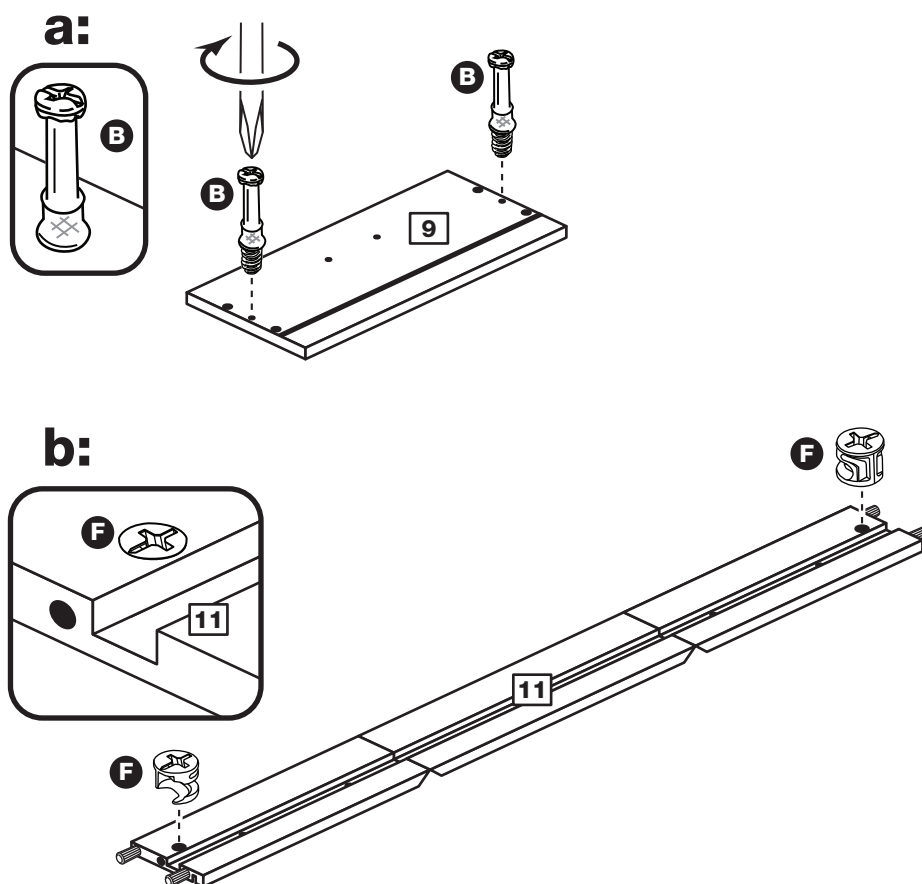
Prepare drawer front and wrap

a: Screw 2 metal dowels **B** into the holes shown on the back of the drawer front **9**.

Note: Tighten metal dowels up fully against the panel.

b: Insert 2 small locking nuts **F** into the holes shown on the drawer wrap **11**.

Note: Arrow on locking nut **must** point towards hole in edge of panel.



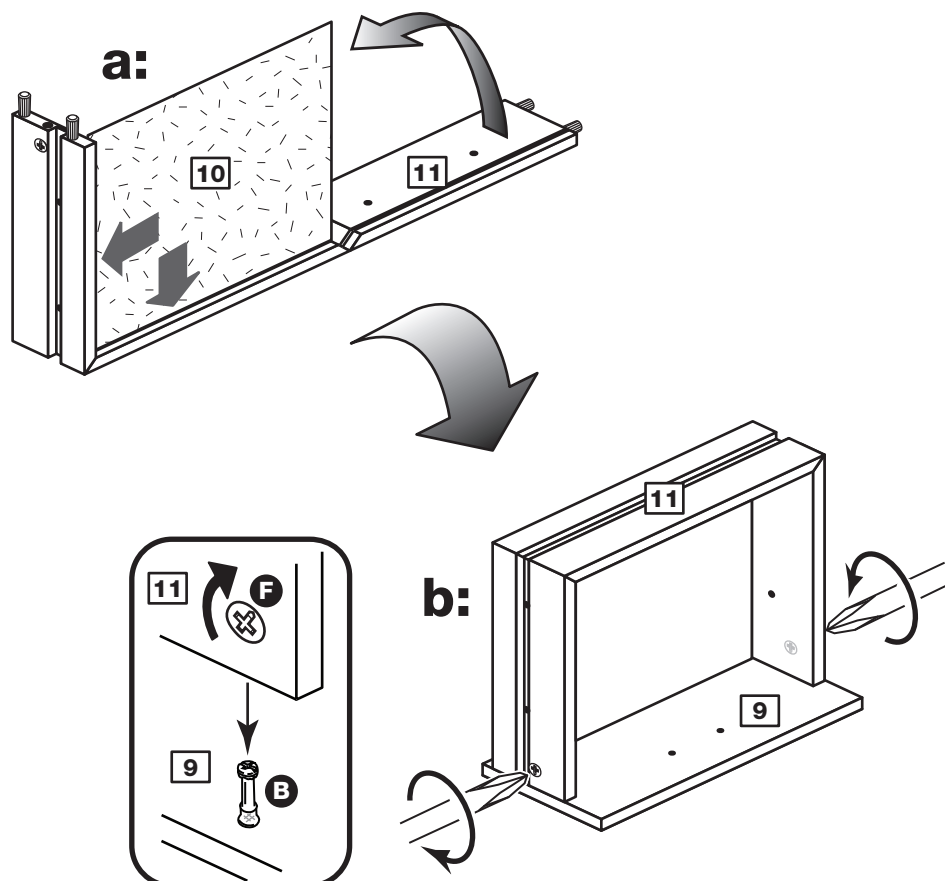
Step 2

Assemble drawer

a: Place drawer base **10** into the narrow slot on the drawer wrap **11**. Fold wrap around the base.

b: Turn drawer wrap assembly over and push onto the back of the drawer front **9**.

Note: Turn locking nuts **F** clockwise to secure panels - more than 1/2 a turn.

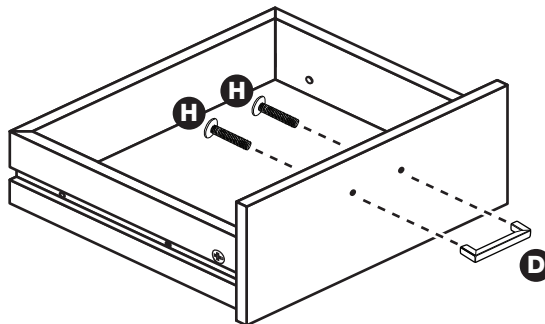


Assembly Instructions

Step 3

Attach handle

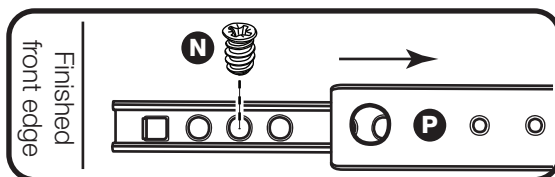
Attach handle **D** to the drawer front using 2 screws **H**.



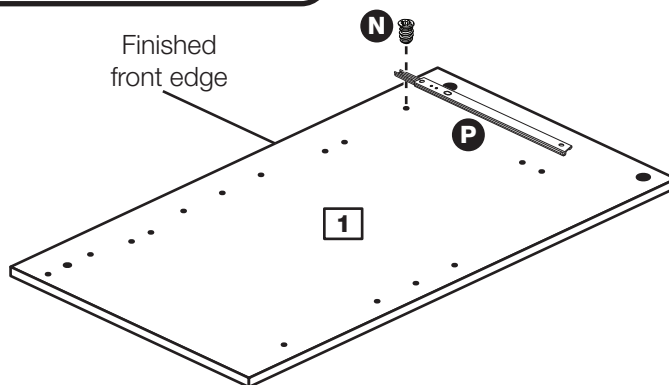
Step 4

Prepare the left side

a: Place a runner **P** on the left side **1**. Slide back the top of the runner and use the 2nd hole from the front to fit the 1st screw **N**.



a:

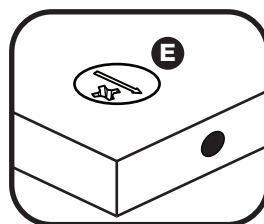
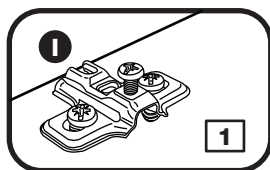


b: Slide the runner **P** back the other way and use 2nd hole from the back to fit 2nd screw **N**.

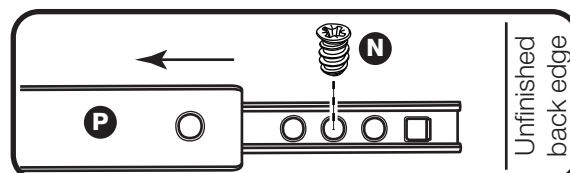
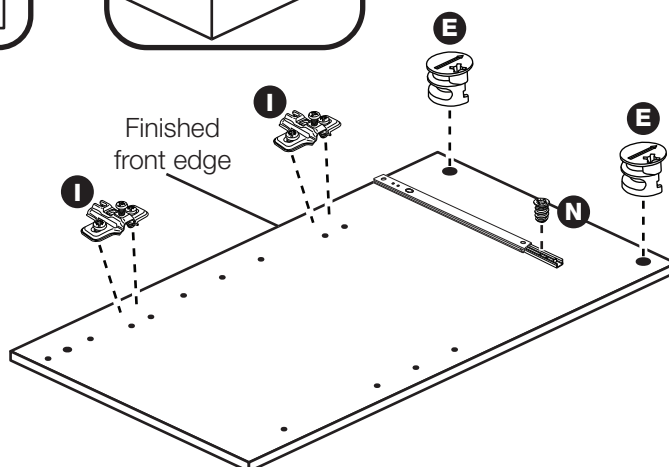
Fit hinge plates **I** making sure that the slot is facing towards the finished front edge.

Insert 2 large locking nuts **E** as shown.

Note: Arrow on locking nut **must** point towards hole in edge of panel.



b:



Assembly Instructions

Step 5

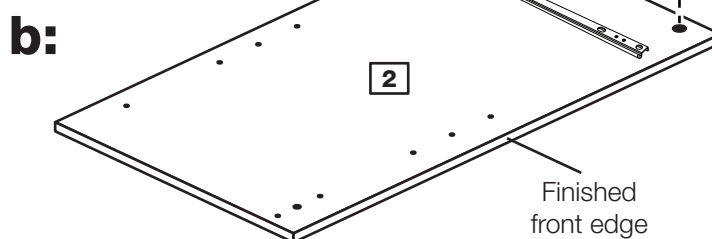
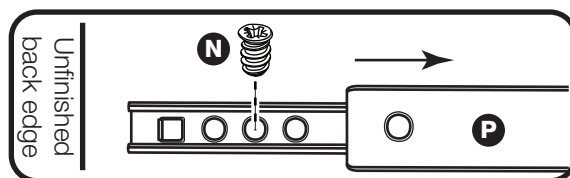
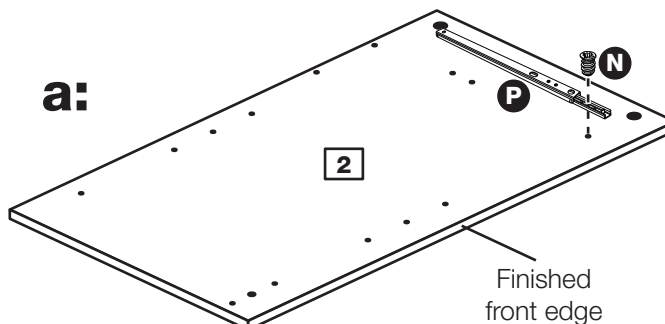
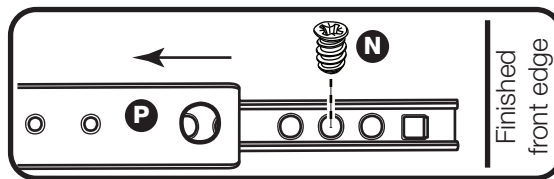
Prepare the upright

a: Place a runner **P** on the upright **2**. Slide back the top of the runner and use the 2nd hole from the front to fit the 1st screw **N**.

b: Slide the runner **P** back the other way and use 2nd hole from the back to fit 2nd screw **N**.

Insert 2 large locking nuts **E** as shown.

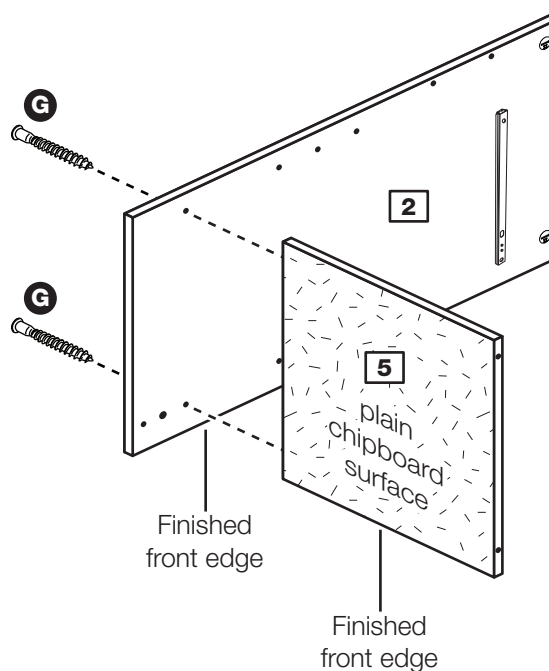
Note: Arrow on locking nut **must** point towards hole in edge of panel.



Step 6

Fit the base to the upright

Attach the base **5** to the upright **2** using 2 screws **G**.



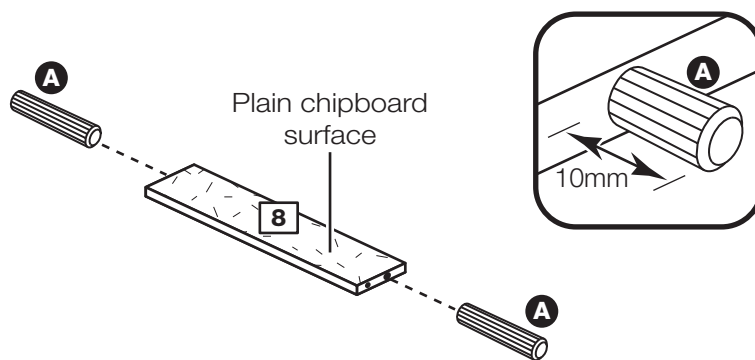
Assembly Instructions

Step 7

Prepare plinth

Tap 2 wooden dowels **A** into the ends of the plinth **8**.

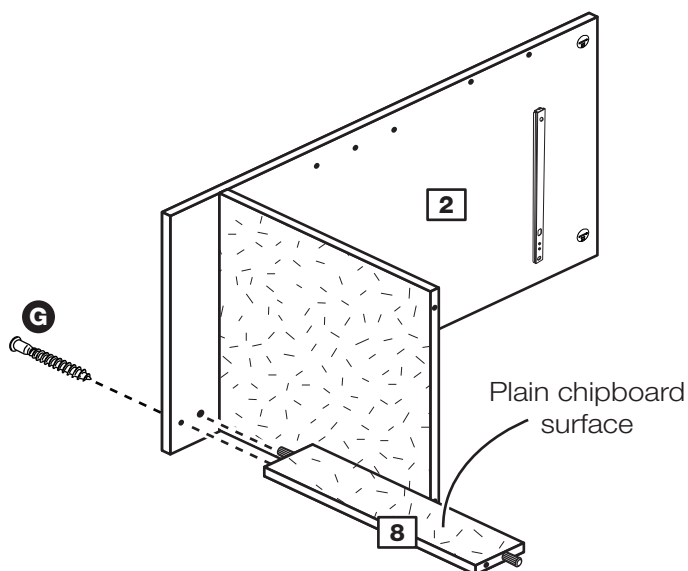
Note: Wooden dowels **must not** stick out from the edge by more than 10mm or they may damage other panels.



Step 8

Fit the plinth to the upright

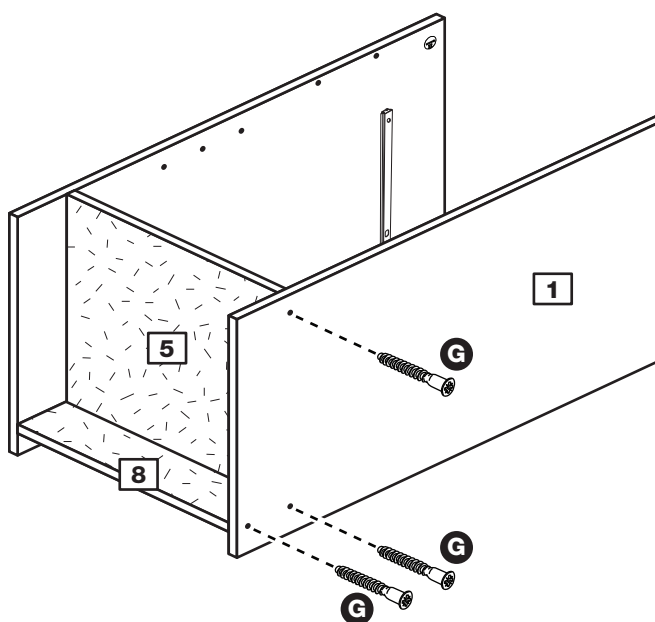
Attach plinth **8** to the upright **2** using the dowel already fitted and secure with screw **G**.



Step 9

Fit the left side

Attach the left side **1** to the base **5** and the plinth **8** using 3 screws **G**.

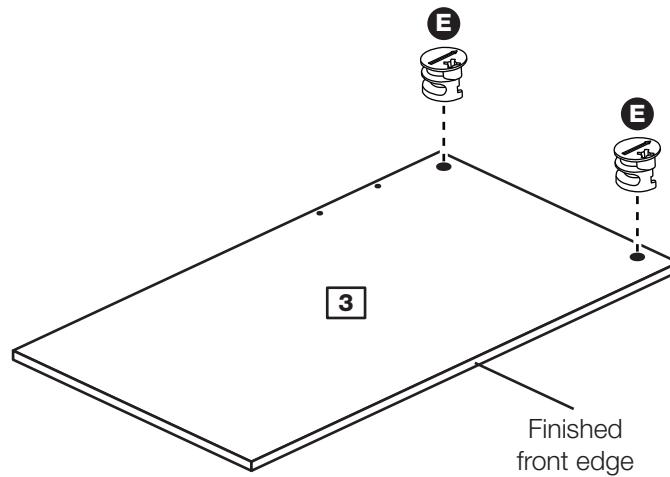


Assembly Instructions

Step 10

Prepare the right side

Insert 2 large locking nuts **E** into the right side **3**.



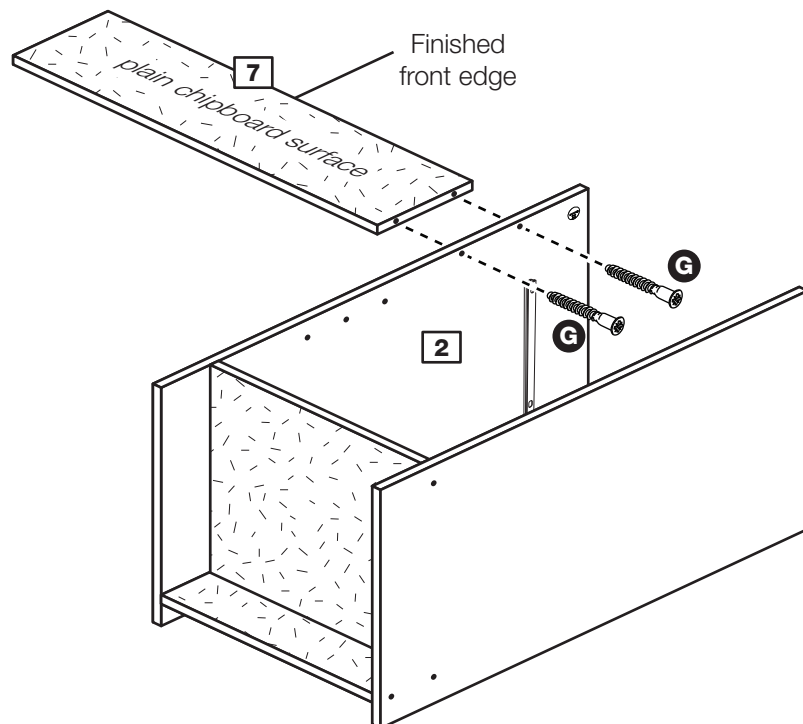
Step 11

Fit the modesty

2 people are needed here

Attach the modesty **7** to the upright **2** using 2 screws **G**.

Support the modesty until the right side has been fitted in the next stage.



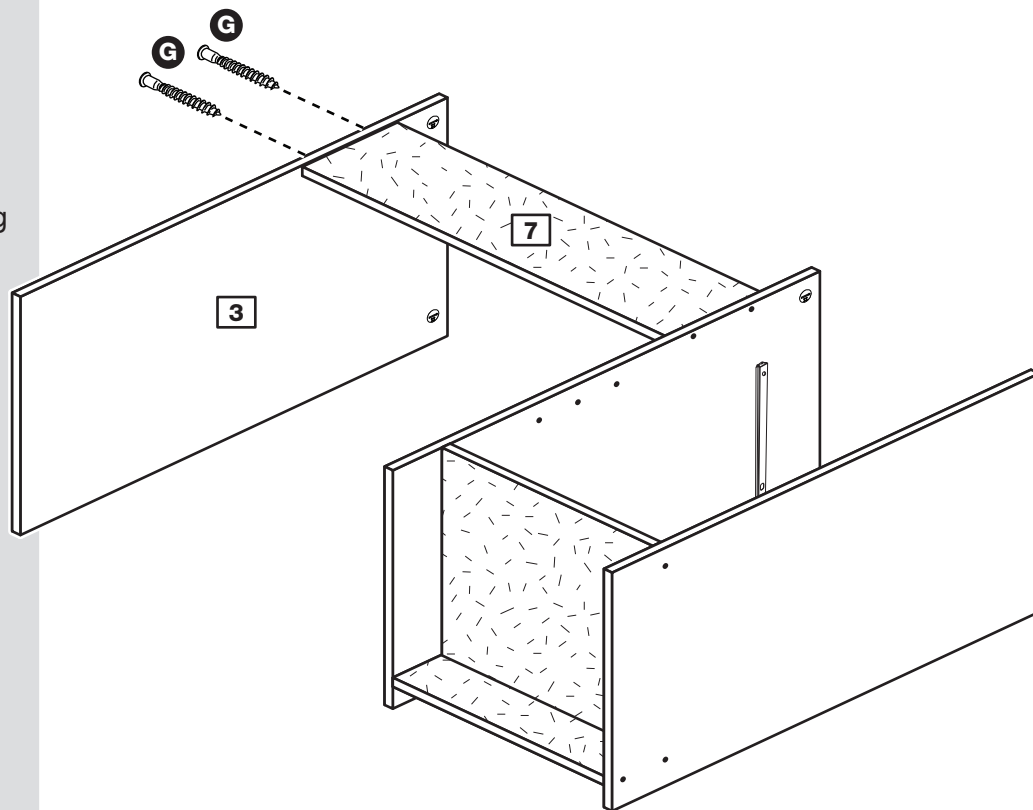
Assembly Instructions

Step 12

Fit the right side

2 people are needed here

Attach the right side **3** to the modesty **7** using 2 screws **G**.

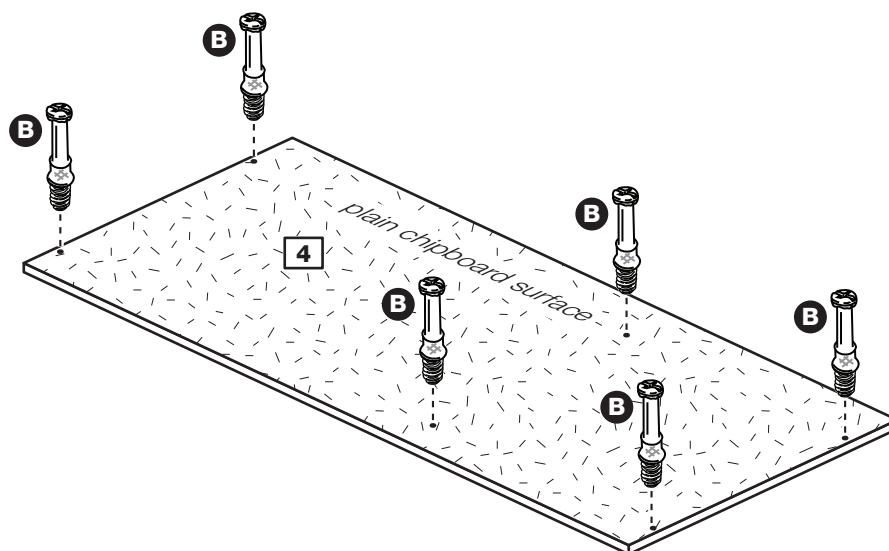


Step 13

Prepare the top panel

a: Screw 6 metal dowels **B** into the holes on the top **4**.

Note: Tighten metal dowels up fully against the panel.



Assembly Instructions

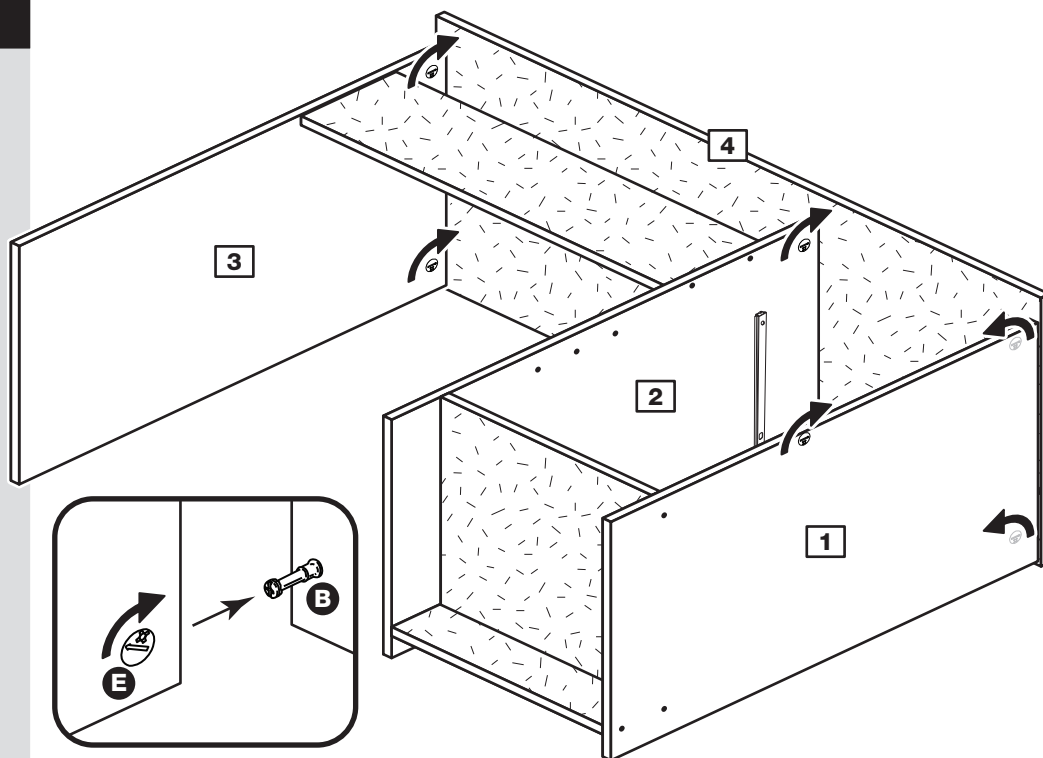
Step 14

Fit the top

Push the 6 metal dowels **B** fitted to the top **4** down into the holes in the top edge of the side and upright panels **1**, **2** and **3**.

Use a screwdriver to tighten the 6 large locking nuts **E** fitted to the side and upright panels **1**, **2** and **3**.

Note: Turn the large locking nuts **E** as far as they will go - more than 1/2 a turn.



Step 15

Fit the back panel

2 people are needed here

Square up the unit by making sure that measurement **x:x** equals **y:y**.

Place the back **13** down onto the unit, as shown.

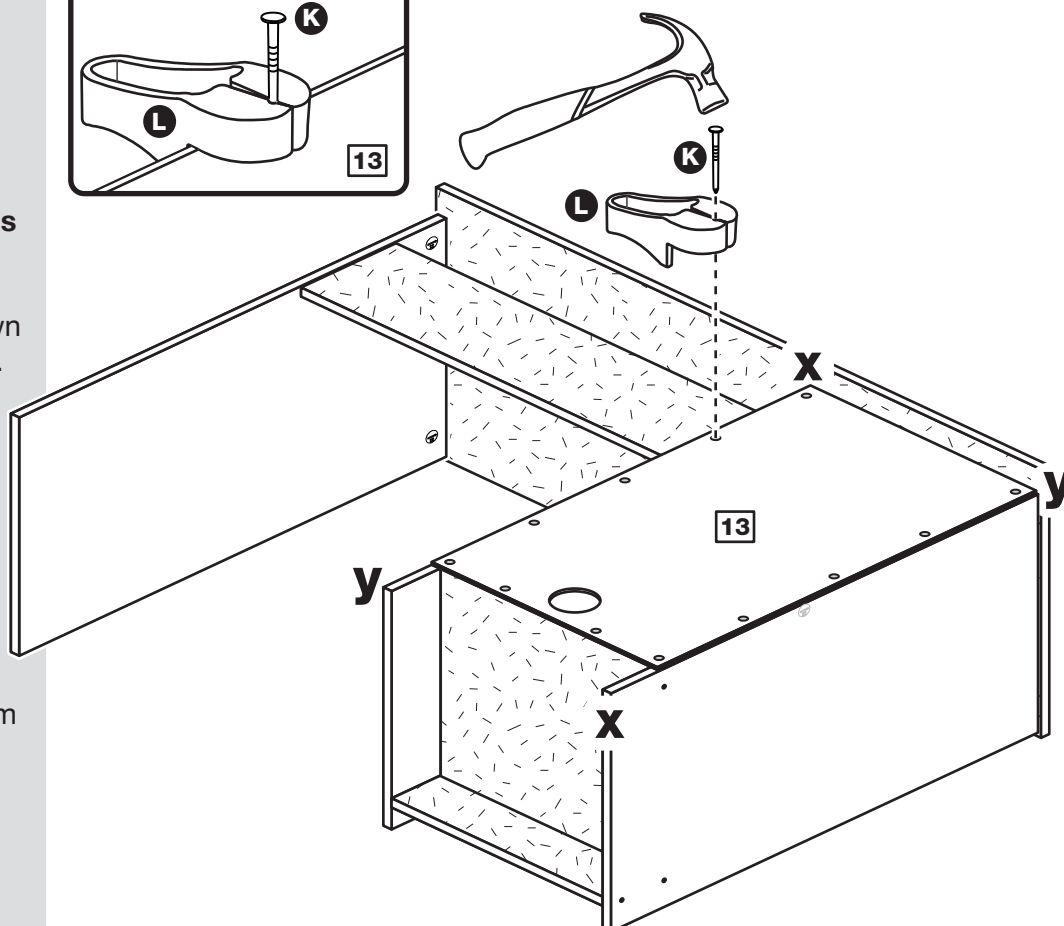
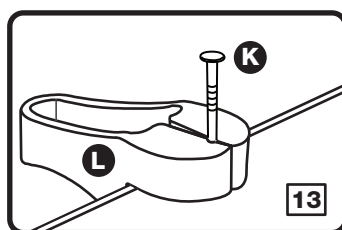
Use the nail guide **L** to hold the nails **K** vertical and at the correct distance whilst you nail around the outside of the back **13**.

Note: Nails should be spaced about 150mm apart.

Stand the unit up.



Warning: The desk is heavy. Lift with care.



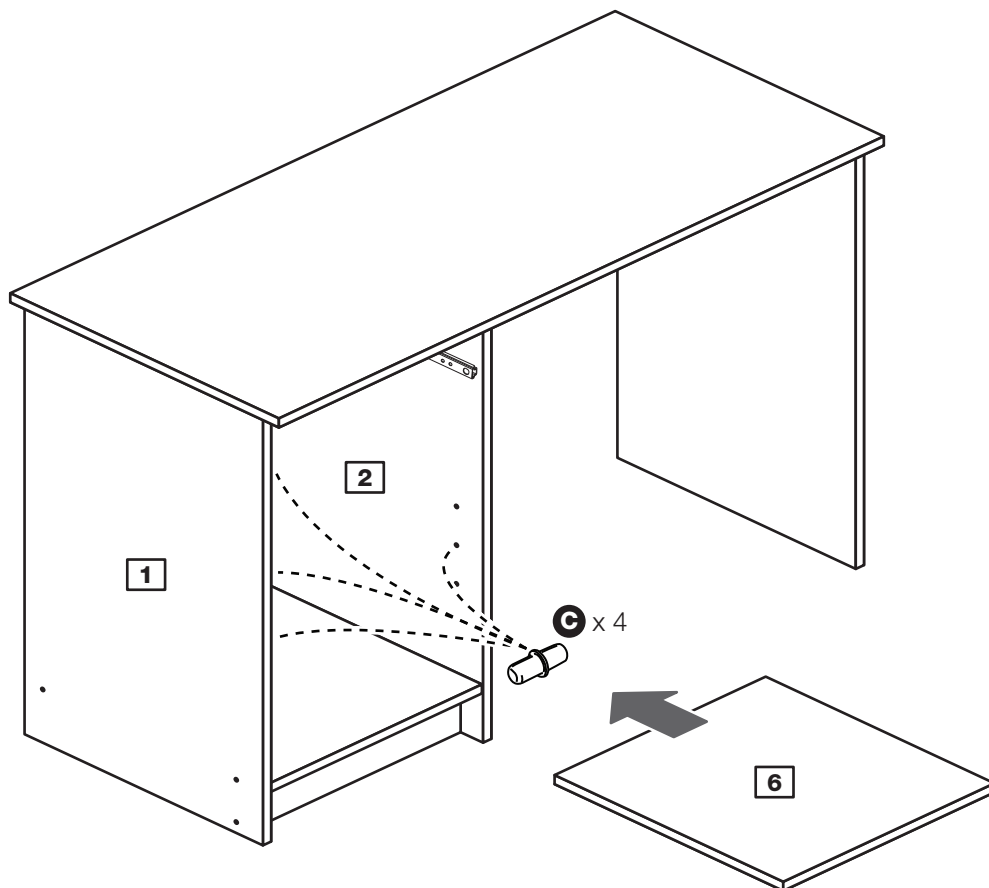
Assembly Instructions

Step 16

Fit the shelf

Insert 4 shelf studs **C**, at the required height, into the holes on the left side **1** and upright **2**.

Slide the shelf **6** in to rest on top of the 4 shelf studs.



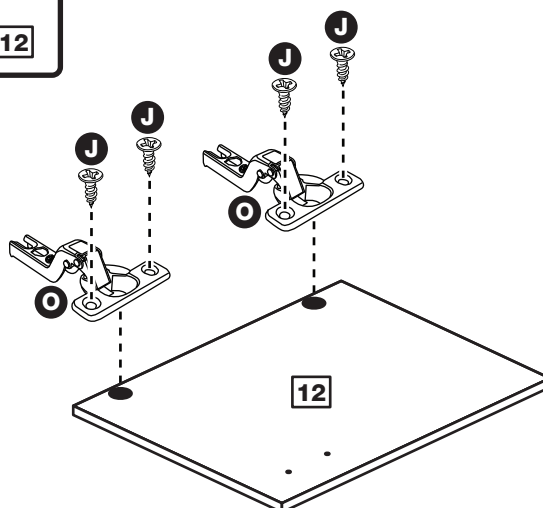
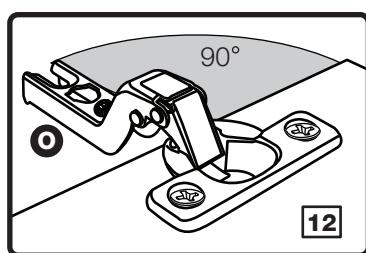
Step 17

Prepare the door

Push fit the hinges **O** into the door **12**.

Secure each hinge with 2 screws **J**.

Note: Before securing with the screws, make sure that the hinges are positioned at 90 degrees with the back edge of the door.



Assembly Instructions

Step 18

Fit door and handle

2 people are needed here

Note: The easiest way to attach the door **12** is to fit the top hinge first, then align and fit the bottom hinge.

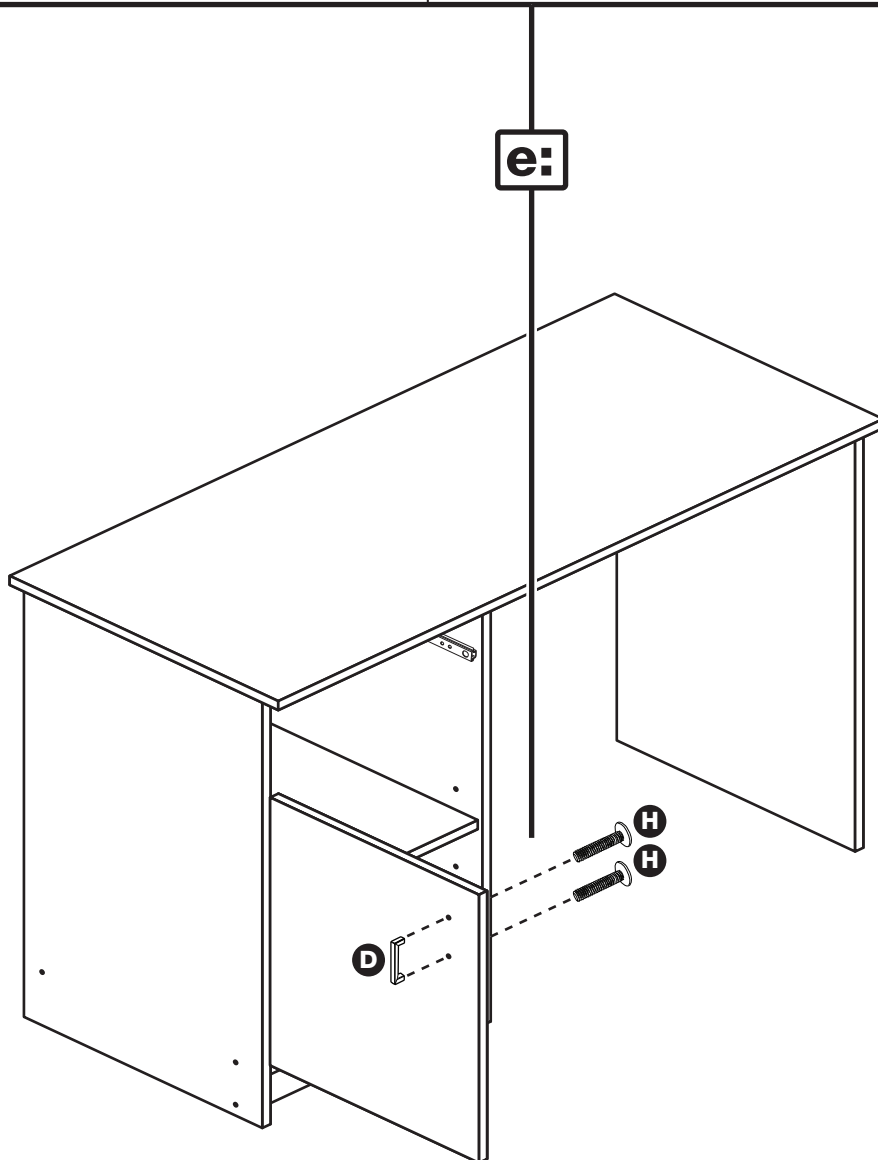
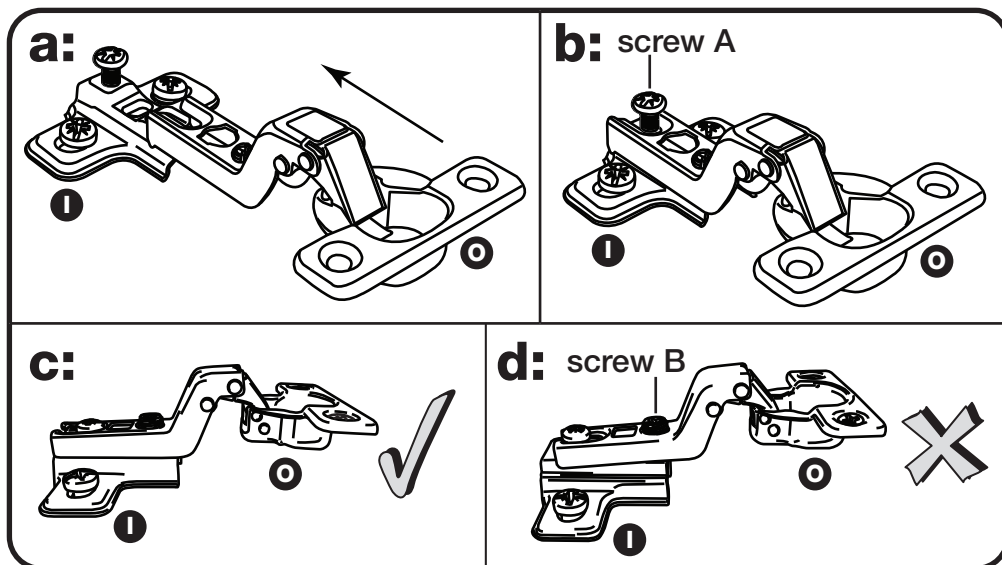
a: Push the hinge **o** onto the front part of the hinge plate **l**.

b: Keep the hinge **o** FLAT against the hinge plate **l** as you slide it across as far as it will go. Tighten screw A.

c: The hinge **o** must be flat against the hinge plate **l** prior to any adjustment.

d: The hinge **o** must NOT be AT AN ANGLE to the hinge plate **l** when assembled. This would indicate that the recess at the bottom of screw B had not located in the slot in the hinge plate and the hinge would not be secure. Remove the hinge from the hinge plate and then re-assemble being careful to follow instructions a-c.

e: Attach the handle **D** to the door using 2 screws **H**.



Assembly Instructions

Step 19

Adjust door if needed

a: Before adjusting the door, use a spirit level to check the top of the unit is level, front-to-back and side-to-side in the 3 positions shown. Use suitable packing pieces (not supplied) to make the unit level BEFORE making any adjustment to the hinges, as shown.

b: Height adjustment.

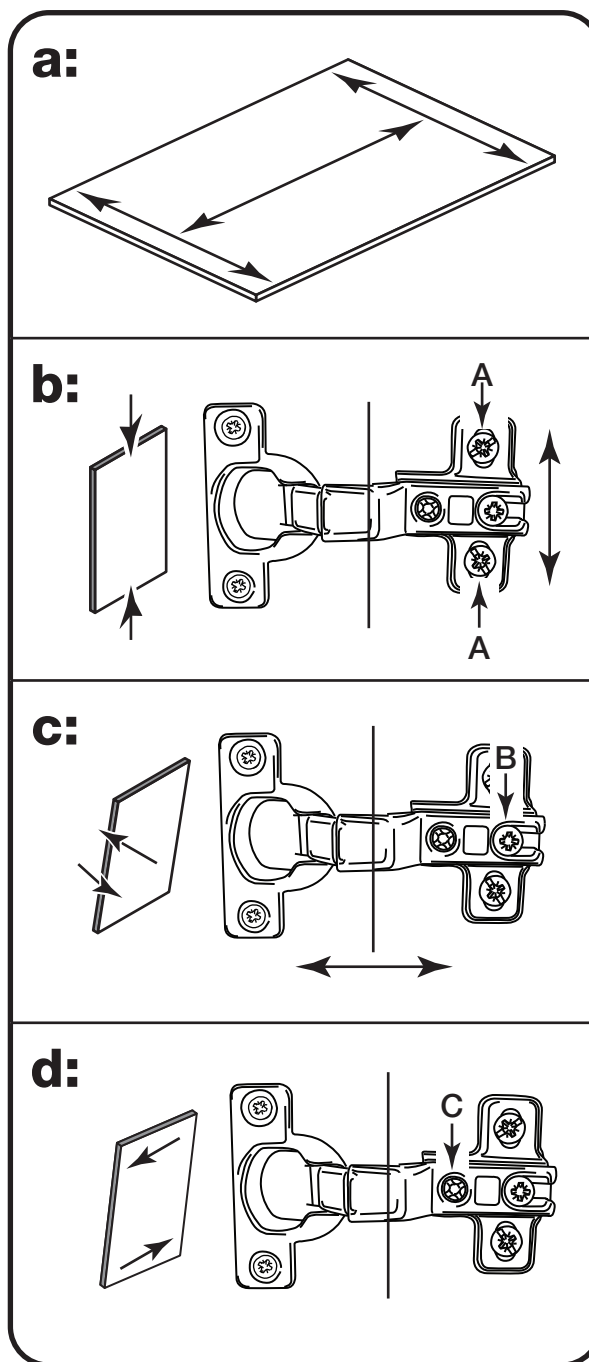
Loosen screws A on hinge plates and move door up or down as required. Retighten screw A.

c: Forward and Back adjustment.

Loosen screw B on hinge plate and move door in or out as required. Retighten screw B.

d: Sideways adjustment.

To move door 'out' loosen screw C. To move door 'in' tighten screw C.



Assembly Instructions

Step 20

Fit the drawer

Slide both the runners **P** forward and locate the drawer wrap **11** between them, lining up the holes in the drawer wrap with the 2nd 'threaded' holes in the runners **P**.

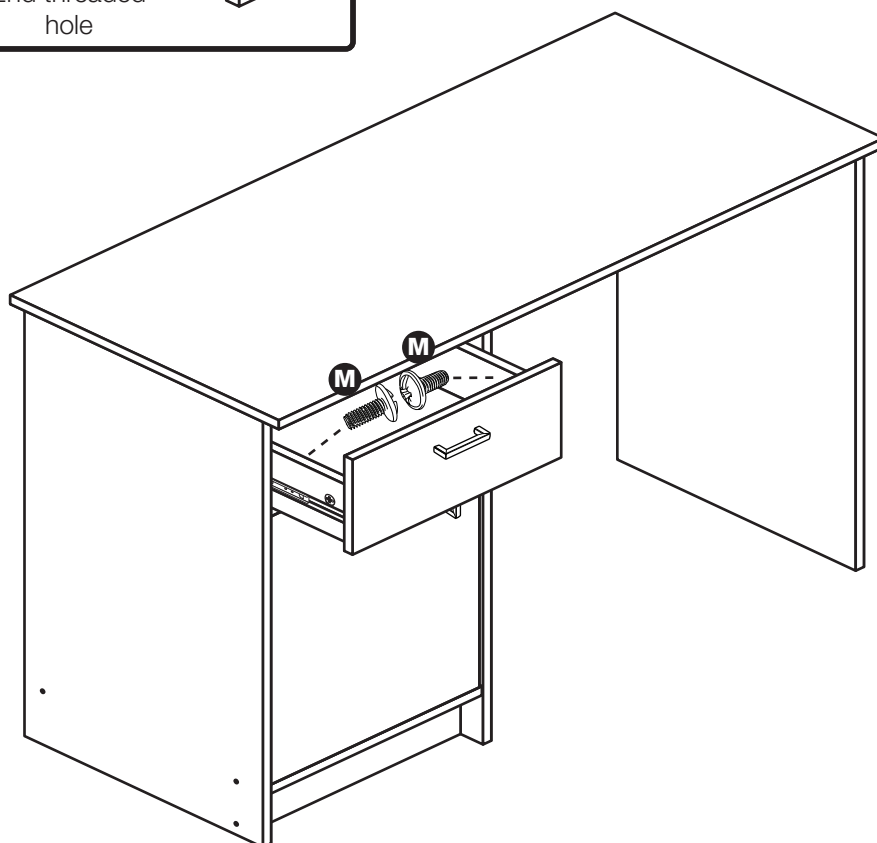
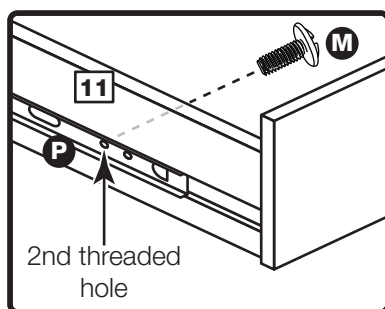
Working from the inside of the drawer, insert 2 screws **M** through the drawer wrap **11** and out into the 2nd threaded hole in the runner **P**.

Note: Do not overtighten the screws **M**. If they catch on the runner you may need to loosen them slightly.



Warning: The desk is heavy. Lift with care.

Assembly is complete



If you need help or have damaged or missing parts, call the Customer Helpline: 08456 400800 and quote the reference numbers on the component pages.

Argos Ltd, 489-499 Avebury Boulevard, Central Milton Keynes, MK9 2NW

