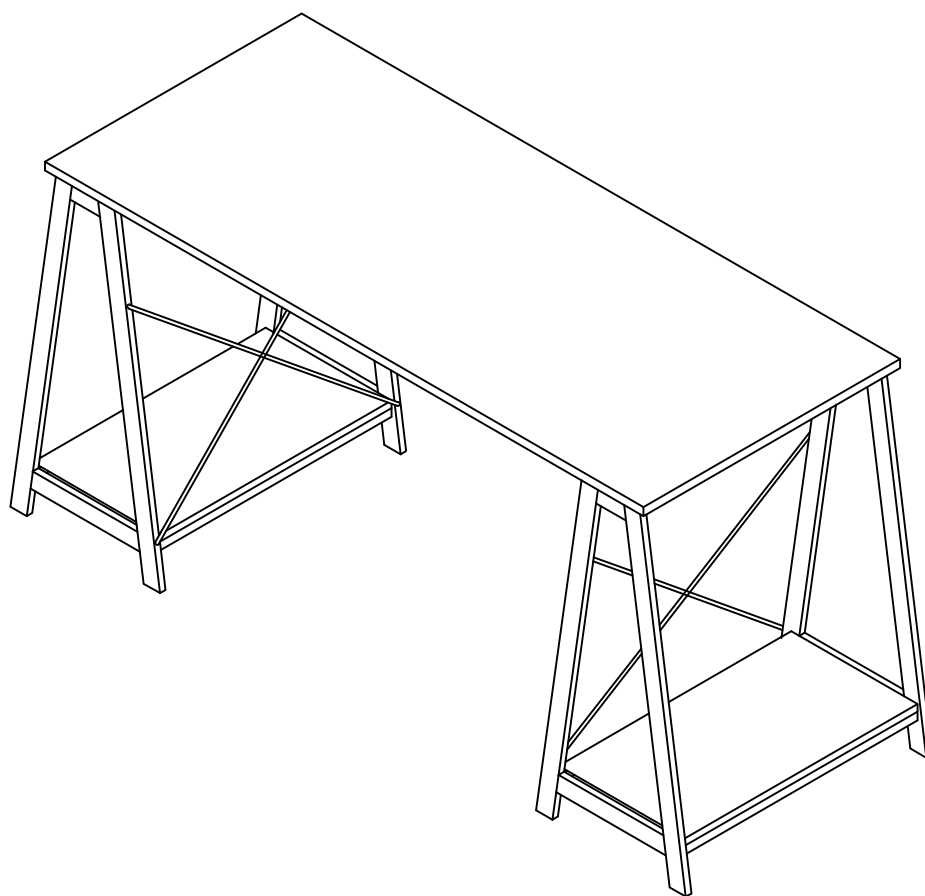


LARGE TRESTLE TABLE DESK

Assembly Instructions - Please keep for future reference

616/9639

H O
M E
BY ARGOS



Dimensions

Width - 140cm

Depth - 60cm

Height - 75cm

Important – Please read these instructions fully before starting assembly

If you need help or have damaged or missing parts, call the Argos Aftersales
Helpline: 0345 640 0800



Safety and Care Advice

Important – Please read these instructions fully before starting assembly

- Check you have all the components and tools listed on pages 2 and 3.
- Remove all fittings from the plastic bags and separate them into their groups.
- Keep children and animals away from the work area, small parts could choke if swallowed.
- Make sure you have enough space to layout the parts before starting.

- Do not stand or put weight on the product, this could cause damage.
- Assemble the item as close to its final position (in the same room) as possible.
- Assemble on a soft level surface to avoid damaging the unit or your floor.
- Parts of the assembly will be easier with 2 people.



- To reduce the likelihood of damaging your product, please ensure that your power drill is set on a low torque setting.

Care and maintenance

- Only clean using a damp cloth and mild detergent, do not use bleach or abrasive cleaners.
- From time to time check that there are no loose screws on this unit.
- This product should not be discarded with household waste. Take to your local authority waste disposal centre.

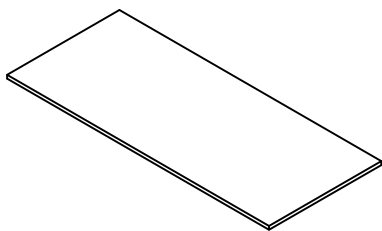
Handy Hints

- Assemble all parts and bolts loosely during assembly, only once the product is complete should you fully tighten the bolts
- Regularly check and ensure that all bolts and fittings are tightend properly.

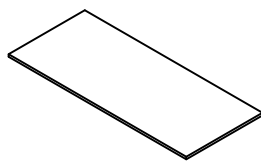
Note: if required the next page can be cut out and used as reference throughout the assembly. Keep this page with these instructions for future reference.

Components - Panels

Please check you have all the panels listed below



1 Table top
(140 X 60 CM)



2 Bottom board x 2
(54.5 X 29.5 CM)



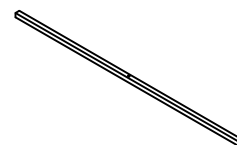
3 Frame x 4
(33 X 73.5 CM)



4 Cross bar x 2
(55 X 2 CM)



5 Cross bar x 4
(55 X 1.8 CM)



6 Cross bar
(102 X 2 CM)



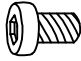
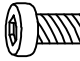
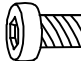
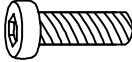

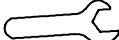

7 Supporting bar x 4
(74 X Ø0.6 CM)



Components - Fittings

Please check you have all the fittings listed below

Note: The quantities below are the correct amount to complete the assembly. In some cases more fittings may be supplied than are required.

A  Bolt (Ø6mm x 12 mm) x 10	B  Bolt (Ø6mm x 28 mm) x 8	C  Bolt (Ø6mm x 32 mm) x 21
D  Bolt (Ø6mm x 60 mm) x 2	E  Nut x 2	F  Spanner x 1
 Allen key (68 x 25mm) x 1		

Tools required

 Crosshead screwdriver
(medium & large)

 Flatblade screwdriver
(medium)

 Small
hammer

 Ruler/tape
measure

 Eye protection
(when using a
hammer or glue)

Ruler - Use this ruler to help correctly identify the screws



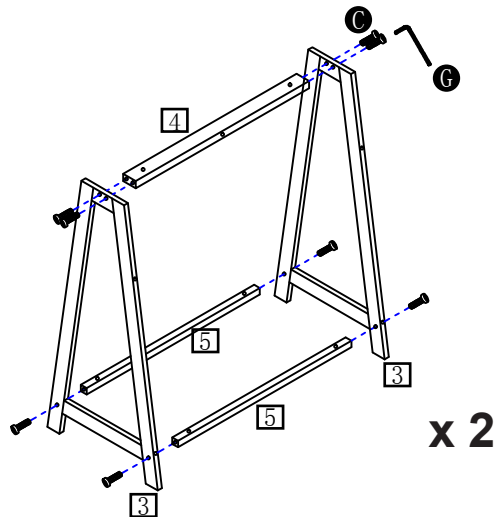
Assembly Instructions

Step 1

a: Attach cross bar **4** & **5** to frame **3** by using 4 x screw **C** for each.

Please do not tighten all the screws until step b is completed.

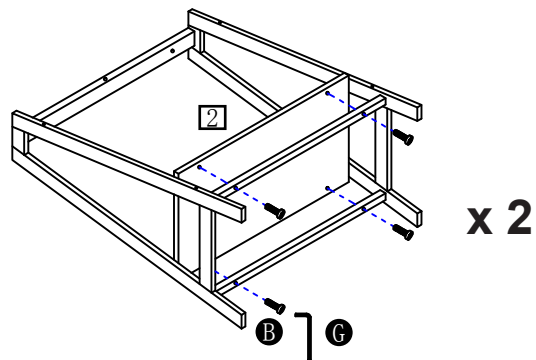
a:



b: Attach the shelf **2** to the assembled section by using 4 x screw **B**.

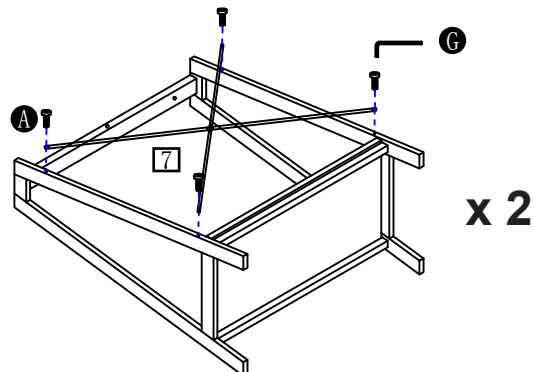
Repeat the above for the other one.

b:



c: Attach supporting bar **7** to the assembled section by using 4 x screw **A**.

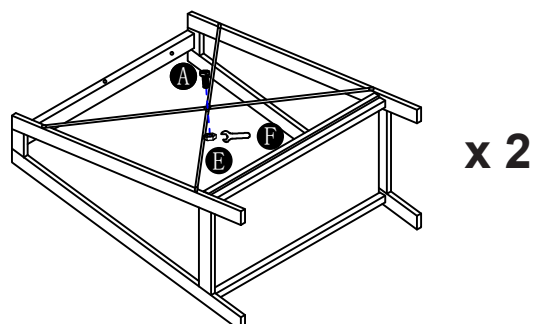
c:



d: Secure the supporting bar **7** by using screw **A** and Nut **E**. Tighten with supplied spanner **F**.

Repeat the above for the other one.

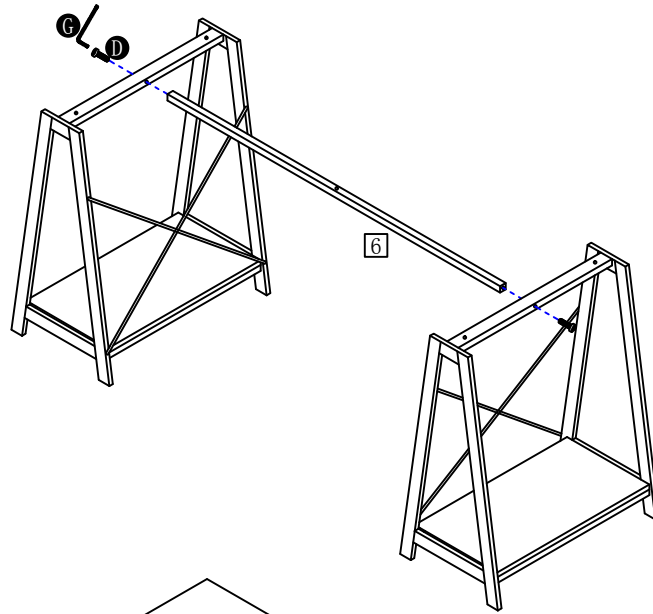
d:



Assembly Instructions

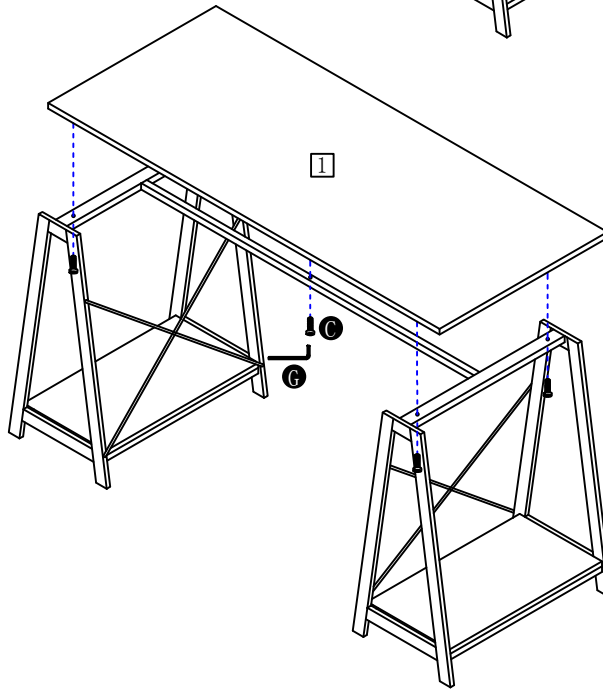
Step 2

Attach crossbar **6** to the assembled section by using 2 x screw **D**.



Step 3

Attached table top **1** to the assembled section by using 5 x screw **C**.



Assembly is complete.

