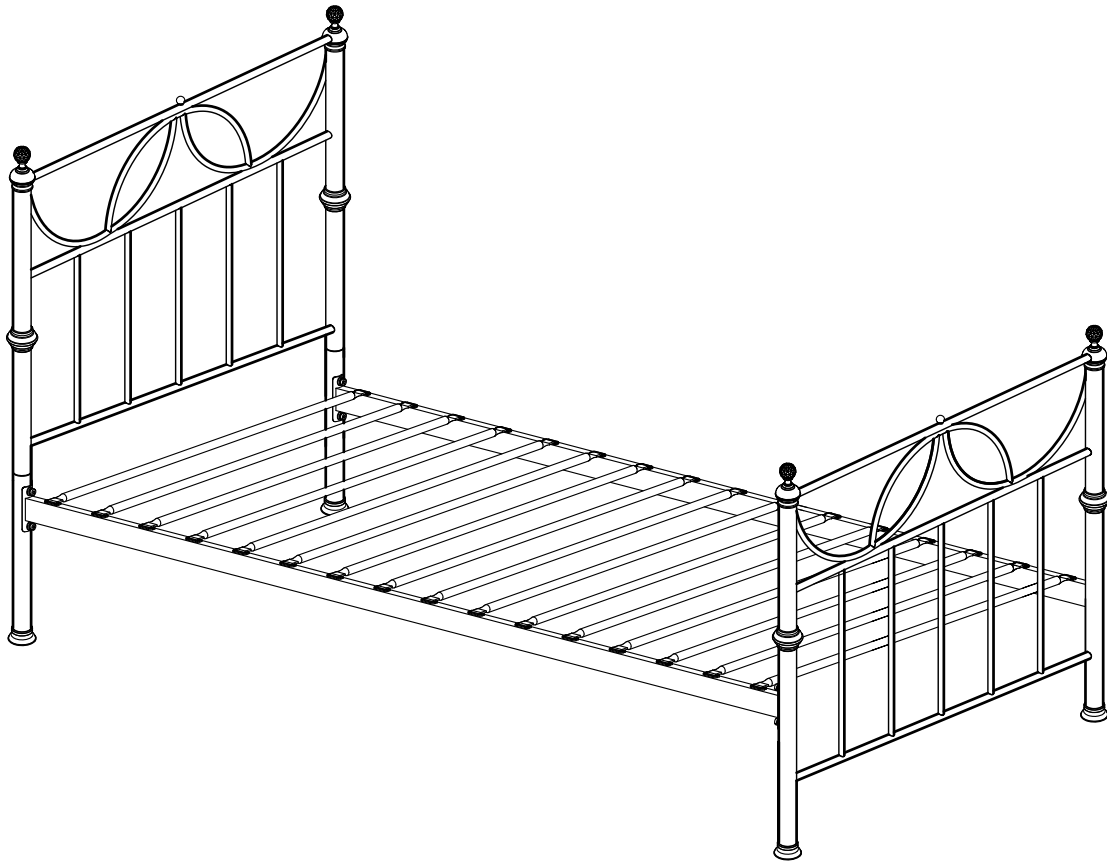


Crystal II 3ft Frame

Assembly Instructions - Please keep for future reference

614/9659

H O
M E
BY ARGOS



Dimensions

Width - 99.5cm

Depth - 204cm

Height - 120 cm

Important – Please read these instructions fully before starting assembly

If you need help or have damaged or missing parts, call the **Customer Helpline:**
Argos = 0345 640800



Safety and Care Advice

Important – Please read these instructions fully before starting assembly

- Check you have all the components and tools listed on the following pages.
- Remove all fittings from the plastic bags and separate them into their groups.
- Keep children and animals away from the work area, small parts could choke if swallowed.
- Make sure you have enough space to layout the parts before starting.

- During assembly do not stand or put weight on the product, this could cause damage.
- Assemble the item as close to its final position (in the same room) as possible.
- Assemble on a soft level surface to avoid damaging the unit or your floor.
- Parts of the assembly will be easier with 2 people.



- To reduce the likelihood of damaging your product please ensure that your power drill is set on a low torque setting.

Care and maintenance

- Only clean using a damp cloth and mild detergent, do not use bleach or abrasive cleaners.
- From time to time check that there are no loose screws on this unit.
- This product should not be discarded with household waste. Take to your local authority waste disposal centre.

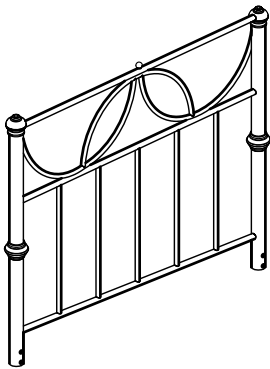
Handy Hints

- Assemble all parts and bolts loosely during assembly, only once the product is complete should you fully tighten the bolts
- Regularly check and ensure that all bolts and fittings are tightened properly.

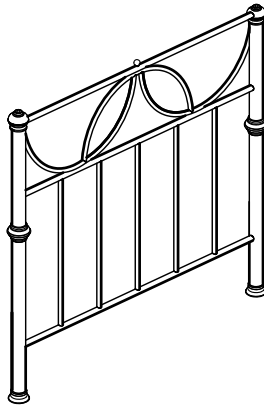
Components - Panels

If you have damaged or missing components, call the
Customer Helpline: Argos = 0345 6400800

Please check you have all the panels listed below



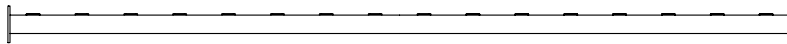
1 Headboard Frame
(99.5 x 75cm)



2 Footboard Frame
(99.5x 90cm)



3 Headboard post x 2
(dia7.5 x 43cm)



4 Side rail x 2
(192.2 x 9cm)



5 Slat x 16
(92.2 x 3.2cm)


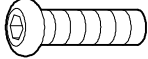


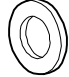




6 Finial x 4
(dia6 x 10cm)

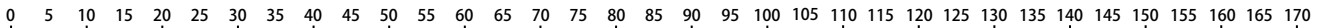
Components - Fittings

Please check you have all the fittings listed below

Note: The quantities below are the correct amount to complete the assembly. In some cases more fittings may be supplied than are required.

<p>A </p> <p>16mm Bolt x 4</p>	<p>B </p> <p>30mm Bolt x 8</p>	<p>C </p> <p>Plain washer x 8</p>
<p>D </p> <p>Spring washer x 8</p>	<p>E </p> <p>Plastic washer x 8</p>	<p>F </p> <p>Small hex key x 1</p>
<p>G </p> <p>Large hex key x 1</p>		

Ruler - Use this ruler to help correctly identify the screws




The bolts length is measured from the head to the point (30mm bolt shown).

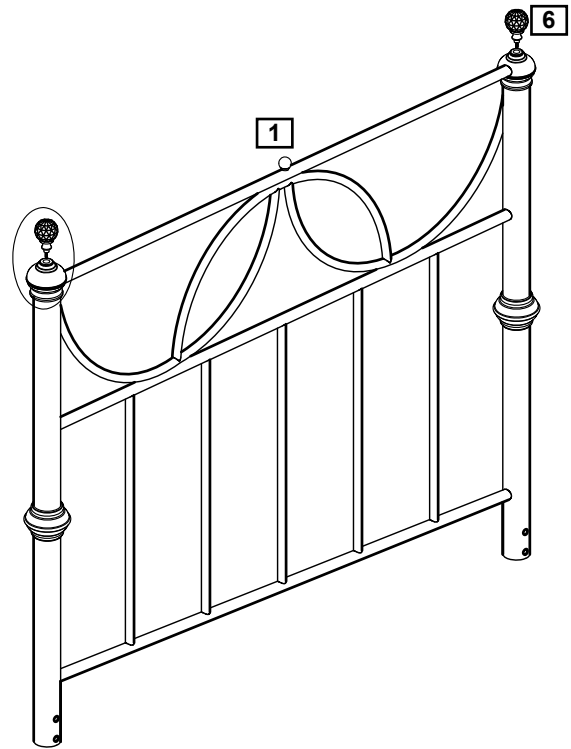
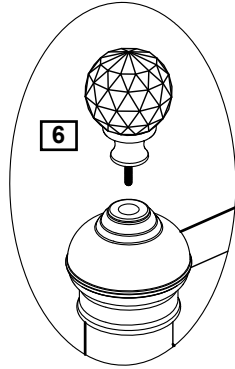
Assembly Instructions

Step 1

Assemble headboard

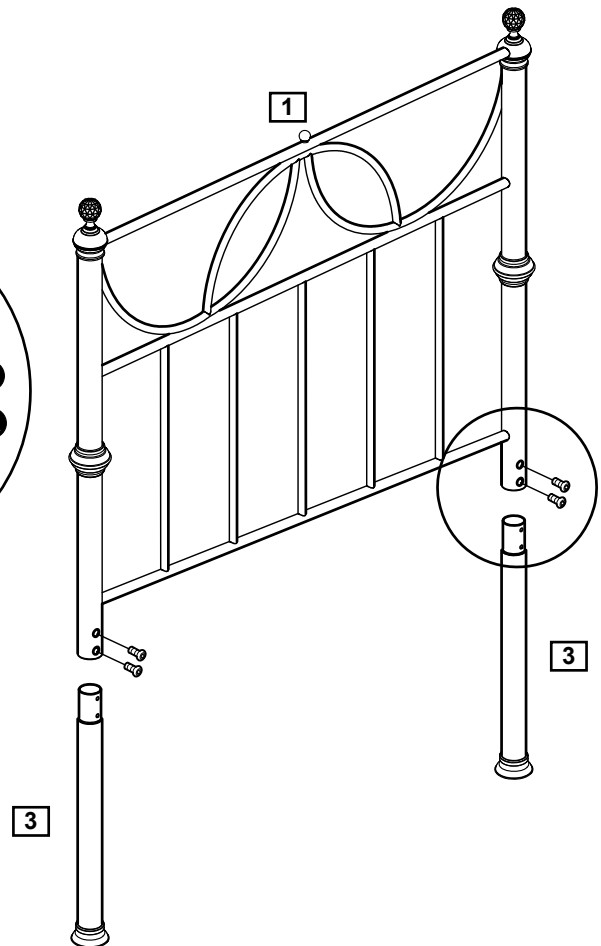
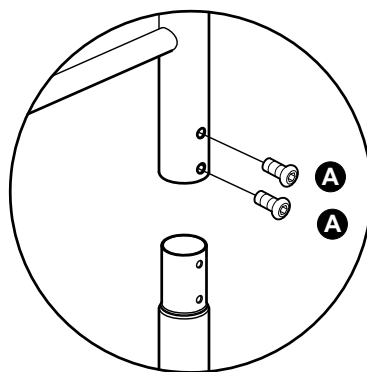
a: Insert the finial **6** into the headboard **1**, tighten the finial by turning clockwise.

a:



b: Attach the headboard post **3** into headboard **1** by bolts **A**.

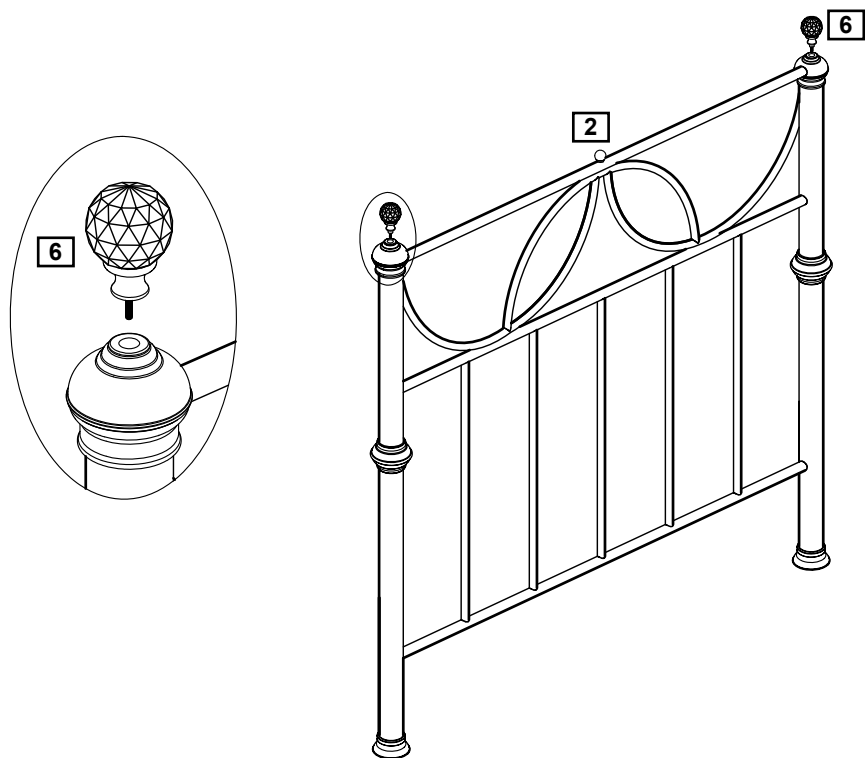
b:



Assembly Instructions

Step 2

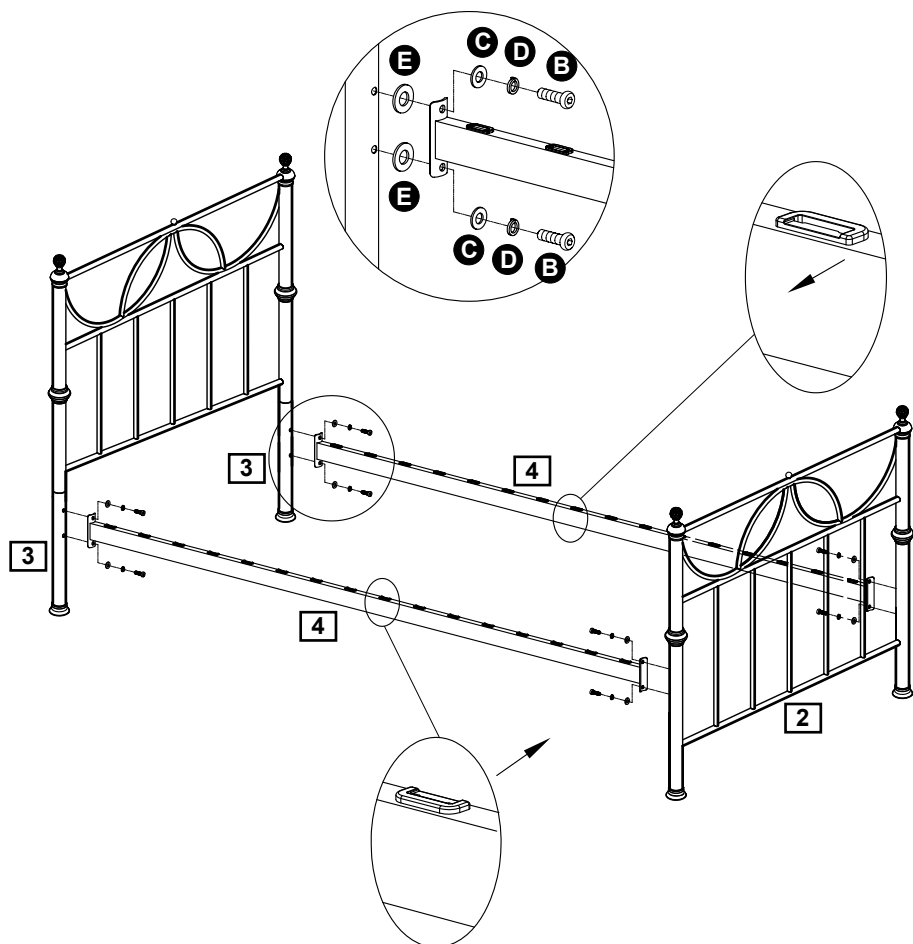
Insert the finial **6** into the footboard **2**, tighten the finial by turning clockwise.



Step 3

Attach side rail **4** to headboard post **3** and footboard **2**. Fix them by bolts **B**, spring washers **D**, plain washers **C** and plastic washers **E** as shown in the figure.

Note: Do not tighten bolts until fully assembled.



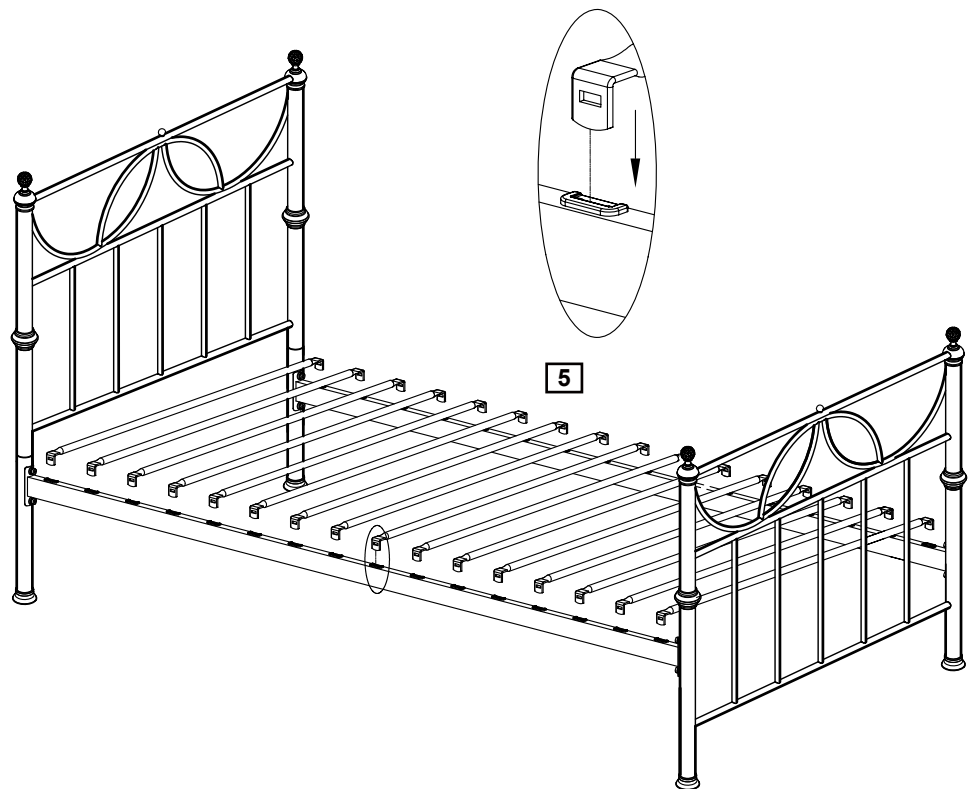
Assembly Instructions

Step 4

Insert slats **5** to the side rails.

Note: Re-tighten all the bolts.

Assembly is complete.



If you need help or have damaged or missing parts, call the **Customer Helpline:**
Argos = 0345 6400800