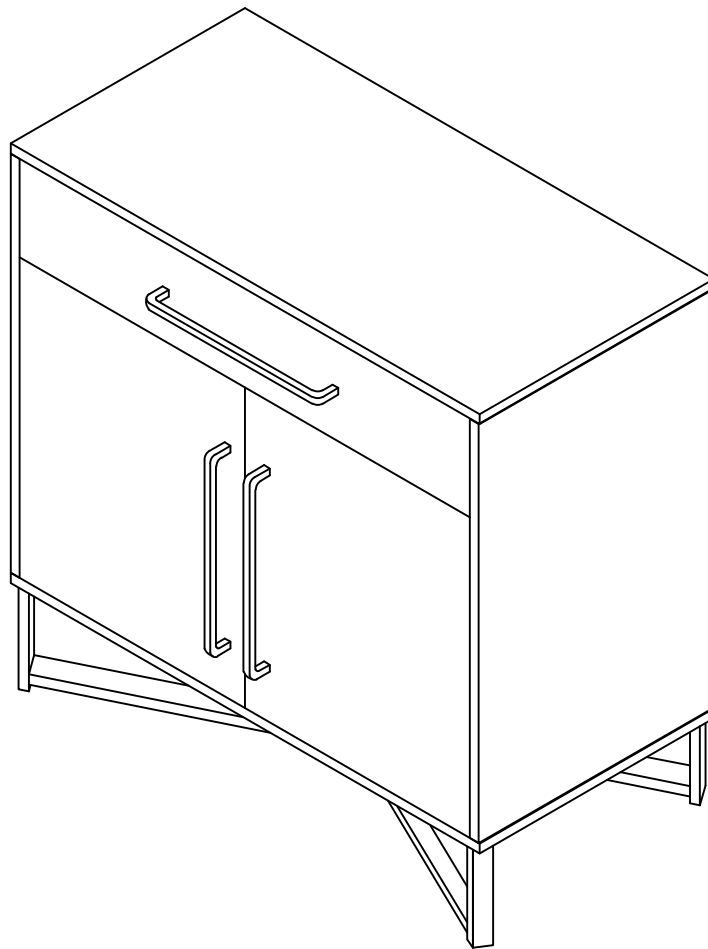


# FITZ SIDEBOARD

Assembly Instructions - Please keep for future reference

614/9305

**hygena**



## DIMENSIONS

Width: 80 cm

Depth: 40 cm

Height: 80 cm

**Important – Please read these instructions fully before starting assembly**

If you need help or have damaged or missing parts, call the Argos Aftersales  
Helpline: 0345 640 0800



# Safety and Care Advice

**Important** – Please read these instructions fully before starting assembly

- Check you have all the components and tools listed on pages 2 and 3.
- Remove all fittings from the plastic bags and separate them into their groups.
- Keep children and animals away from the work area, small parts could choke if swallowed.
- Make sure you have enough space to layout the parts before starting.

- Do not stand or put weight on the product, this could cause damage.
- Assemble the item as close to its final position (in the same room) as possible.
- Assemble on a soft level surface to avoid damaging the unit or your floor.
- Parts of the assembly will be easier with 2 people.



- To reduce the likelihood of damaging your product, please ensure that your power drill is set on a low torque setting.

## Care and maintenance

- Only clean using a damp cloth and mild detergent, do not use bleach or abrasive cleaners.
- From time to time check that there are no loose screws on this unit.
- This product should not be discarded with household waste. Take to your local authority waste disposal centre.

## Handy Hints

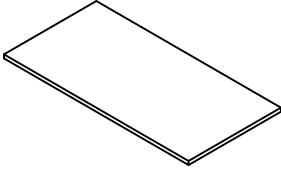
- Assemble all parts and bolts loosely during assembly, only once the product is complete should you fully tighten the bolts
- Regularly check and ensure that all bolts and fittings are tightend properly.

**Note:** if required the next page can be cut out and used as reference throughout the assembly. Keep this page with these instructions for future reference.

# Components - Panels

Please check you have all the panels listed below

**1** Top board  
(80 x 40 CM)



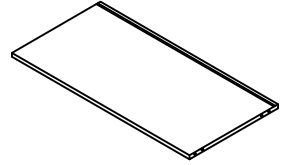
**2** Side board  
(62 x 40 CM)



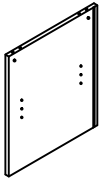
**3** Side board  
(62 x 40 CM)



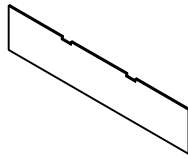
**4** Divider  
(76.9 x 38.4 CM)



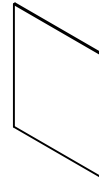
**5** Divider  
(45 x 38.4 CM)



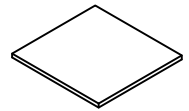
**6** Back board  
(77.9 x 16.5 CM)



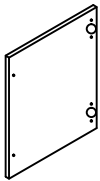
**7** Back board x 2  
(38.7 x 46 CM)



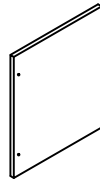
**8** Shelf x 2  
(37.5 x 36 CM)



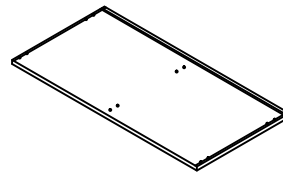
**9** Door  
(45.2 x 38 CM)



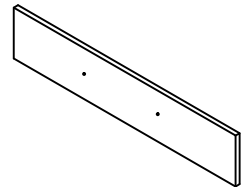
**10** Door  
(45.2 x 38 CM)



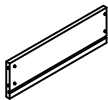
**11** Bottom board  
(80 x 40 CM)



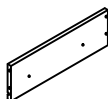
**12** Drawer front  
(76.4 x 15.6 CM)



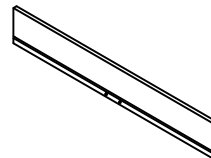
**13** Drawer side  
(35 x 12 CM)



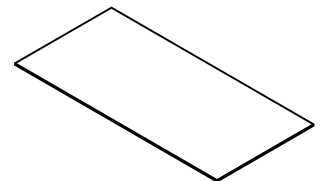
**14** Drawer side  
(35 x 12 CM)



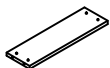
**15** Drawer back  
(72.2 x 12 CM)



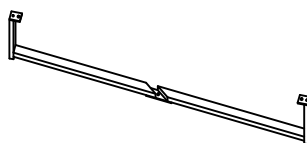
**16** Drawer bottom  
(34.8 x 73.2 CM)



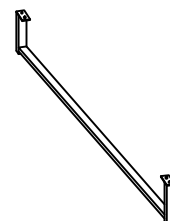
**17** Drawer bottom support  
(33.8 x 9 CM)



**18** Leg  
(86.5 x 14.5 CM)



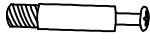

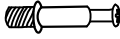



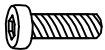



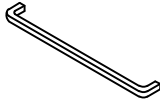

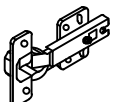

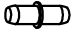



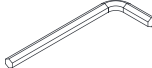


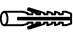


**19** Leg  
(86.5 x 14.5 CM)



# Components - Fittings

Please check you have all the fittings listed below

**Note:** The quantities below are the correct amount to complete the assembly. In some cases more fittings may be supplied than are required.

<b>A</b>  CAMLOCK SCREW (35MM) X 12	<b>B</b>  CAMLOCK NUT( Ø15MM) X 12	<b>C</b>  CAMLOCK SCREW (25MM) X 8
<b>D</b>  CAMLOCK NUT( Ø12MM) X 8	<b>E</b>  WOODEN DOWEL( Ø8 X 30MM) X 18	<b>F</b>  BOLT ( Ø6 X 12MM) X 5
<b>G</b>  BOLT ( Ø6 X 45MM) X 4	<b>H</b>  SCREW ( Ø3.5 X 12MM) X 8	<b>I</b>  SCREW ( Ø3.5 X 16MM) X 8
<b>J</b>  SCREW ( Ø3.5 X 30MM) X 4	<b>K</b>  HANDLE (294MM) X 3	<b>L</b>  SCREW ( Ø4 X 20MM) X 6
<b>M</b>  HINGE (80 X 62MM) X 4	<b>N</b>  SCREW ( Ø4 X 16MM) X 24	<b>O</b>  PIVOT PIN (16MM) X 8
<b>P</b>  BACK SUPPORT (15 X 10MM) X 8	<b>Q</b>  RUNNER (350MM) X 2	<b>R</b>  RUNNER ( 350MM) X 2
<b>S</b>  ALLEN KEY (68 X 25MM) X 1	<b>T</b>  FABRIC STRIP (147 X 25MM) X 2	<b>U</b>  SCREW ( Ø4 X 12MM) X 4
<b>V</b>  WALL ANCHOR(Ø5 X 35MM) X 2	<b>W</b>  SCREW ( Ø5 X 35MM) X 2	<b>X</b>  WASHER ( Ø5 X 1MM) X 2

## Tools required



Crosshead screwdriver  
(medium & large)



Small  
hammer



Flatblade screwdriver  
(medium)

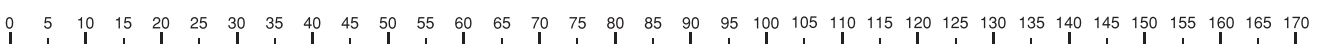


Ruler/tape  
measure



Eye protection  
(when using a  
hammer or glue)

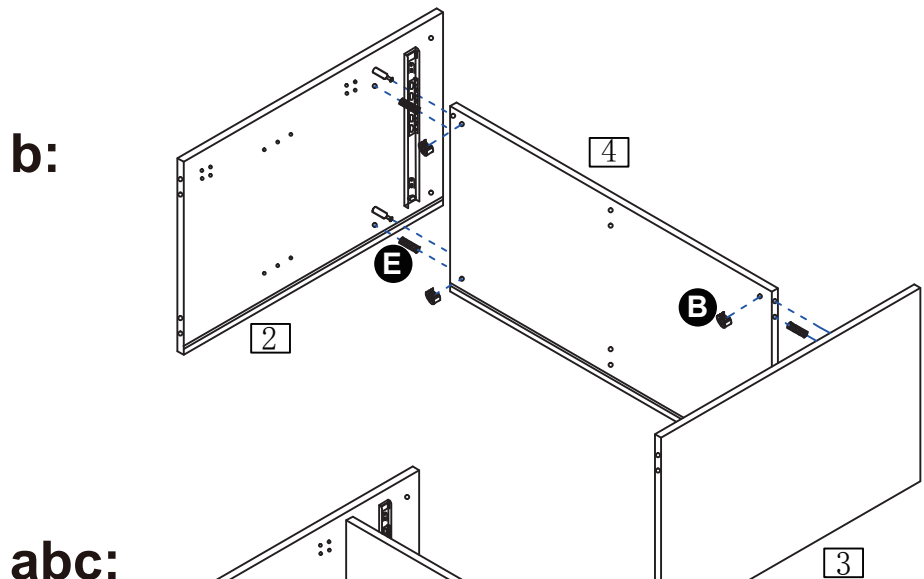
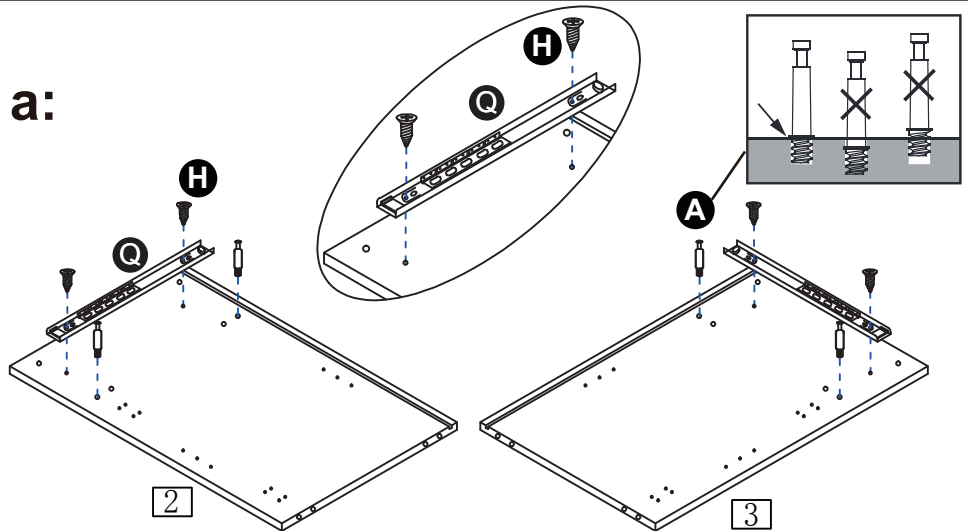
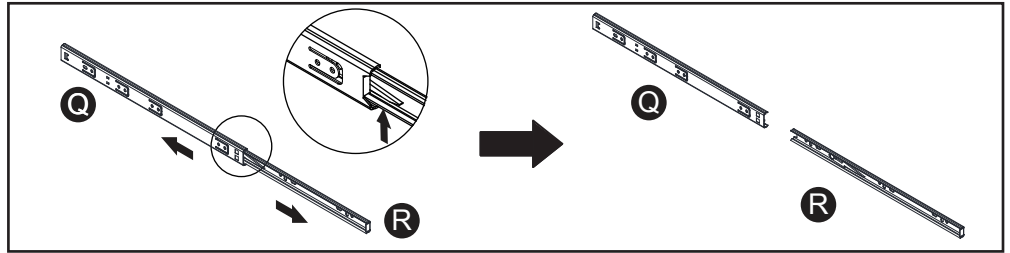
Ruler - Use this ruler to help correctly identify the screws



# Assembly Instructions

## Step 1

- a:** Position runner **Q** on side board **2** and fix into place using 2 x screw **H**.
- b:** Insert 2 x camlock screw **A**, 2 x wooden dowel **E** into side board **2**.
- c:** Repeat the above for side board **3**.
- d:** Attach side board **2** & **3** to divider **4**.
- Align the arrow on 2 x camlock nut **B** with the edge of divider **4**. Rotate all camlock nuts **B** clockwise for about 1/4 or 1/2 a turn or until the bolts "connects" with the screw and is secure.



## Step 2

- a:** Insert 2 x camlock screw **A** and 2 x wooden dowel **E** on divider **4**.
- b:** Attach divider **5** to divider **4**. Align the arrow on 2 x camlock nut **B** with the edge of divider **5**. Rotate all camlock nuts **B** clockwise for about 1/4 or 1/2 a turn or until the bolts "connects" with the screw and is secure.
- c:** Slide 2 x back board **7** into the assembled section

# Assembly Instructions

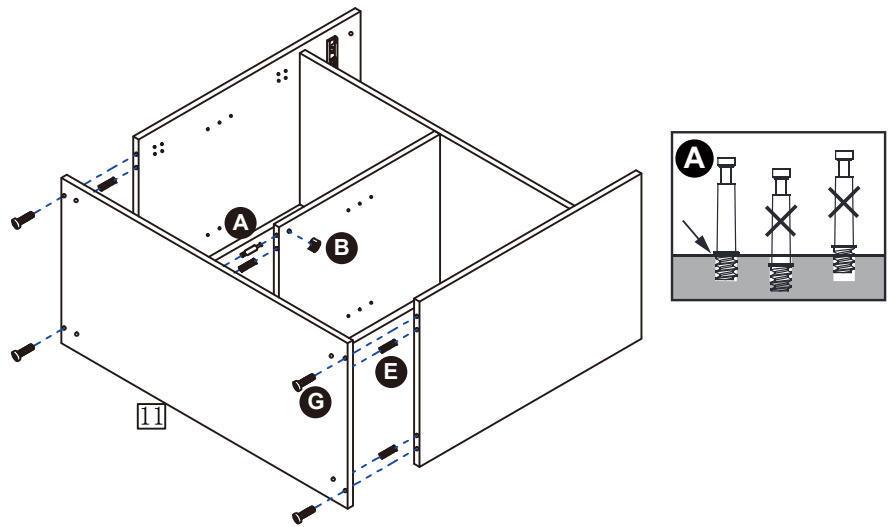
## Step 3

**a:** Insert 2 x wooden dowel **E** on side board **2** & **3**

**b:** Insert 2 x camlock screw **A** and 2 x wooden dowel **E** on divider **5**

**c:** Attach bottom board **11** to the assembled section using 4 x bolt **G**.

Align the arrow on 2 x camlock nut **B** with the edge of divider **5**. Rotate all camlock nuts **B** clockwise for about 1/4 or 1/2 a turn or until the bolts "connects" with the screw and is secure.

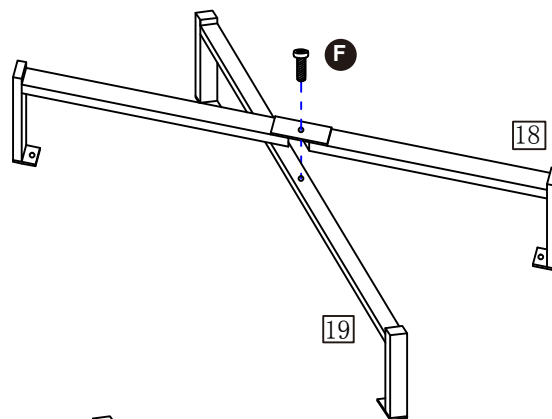


## Step 4

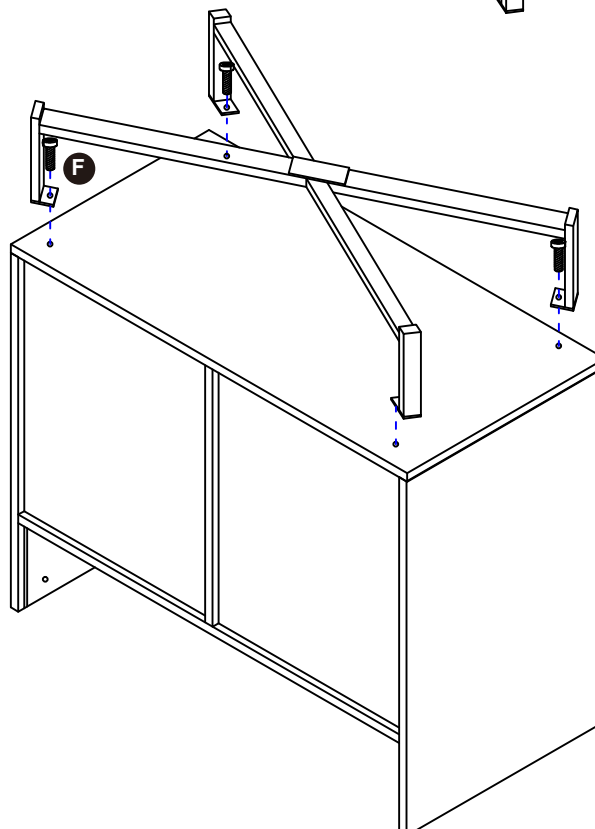
**a:** Attach leg **18** to leg **19** using bolt **F**.

**b:** Attach legs to the assembled section using 4 x bolt **F**.

**a:**



**b:**



# Assembly Instructions

## Step 5

a: Attach 2 x fabric strip **T** to top board **1** using 2 x screw **U**.

b: Insert 4 x camlock screw **A** on top board **1**.

c: Slide back board **6** into the assembled section.

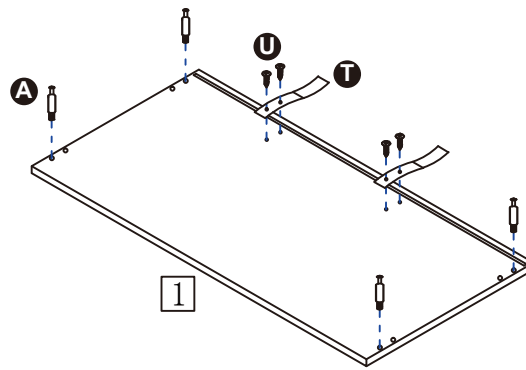
d: Insert 4 x wooden dowel **E** on side board **2** & **3**.

e: Attach top board **1** to the assembled section.

Align the arrow on 2 x camlock nut **B** with the edge of side board **2** & **3**.

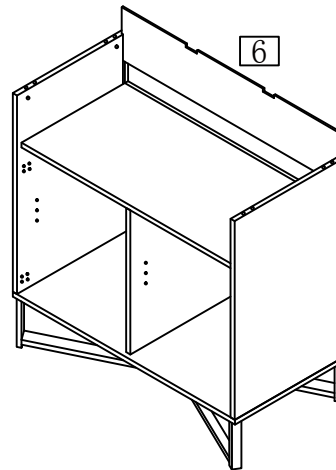
Rotate all camlock nuts **B** clockwise for about 1/4 or 1/2 a turn or until the bolts "connects" with the screw and is secure.

a:



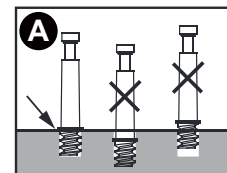
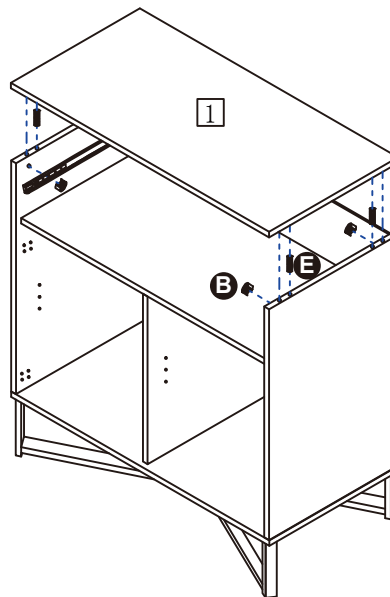
b:

c:



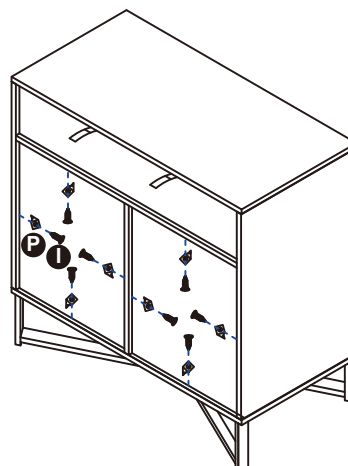
d:

e:





## Step 6


Secure the back board **7** using 8 x wall support kit **I** & **P**.

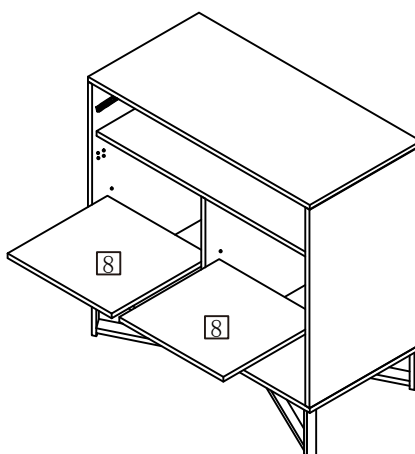
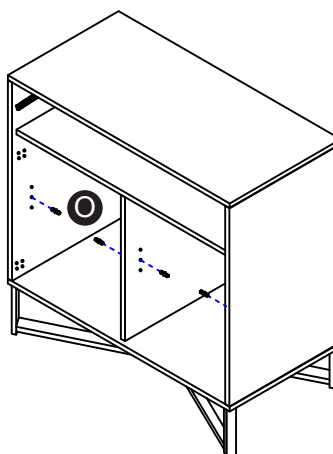


# Assembly Instructions

## Step 7

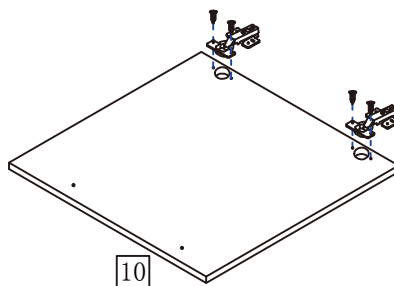
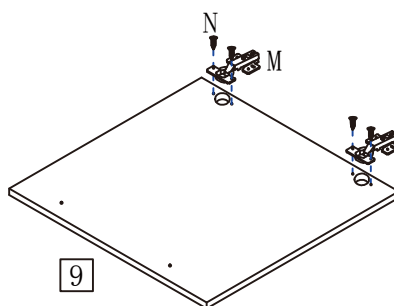
Insert 2 x pivot pin  into side board .

Put 2 x shelf  into the assembled section.



## Step 8

Attach  x hinge  to door  &  using 4 x screw  for each door.





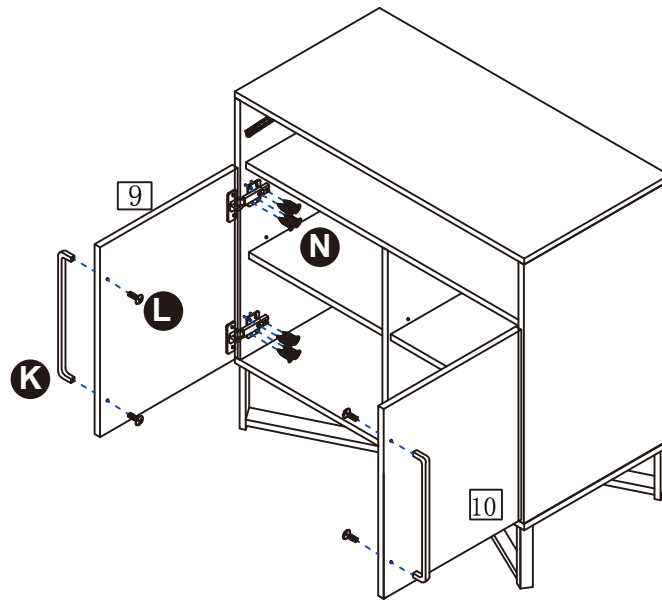
# Assembly Instructions

## Step 9

**a:** Attach door **9** & **10** to the assembled section using 8 x screw **N** for each.

**b:** Attach handle **K** to door **9** & **10** using 2 x screw **L** for each.

**a:**  
**b:**



## Step 10

**a:** Insert 6 x camlock screw **C** and 2 x wooden dowel **E** on drawer front **12**.

**b:** Attach drawer side board **13** & **14** and drawer bottom support **17** to drawer front **12**.

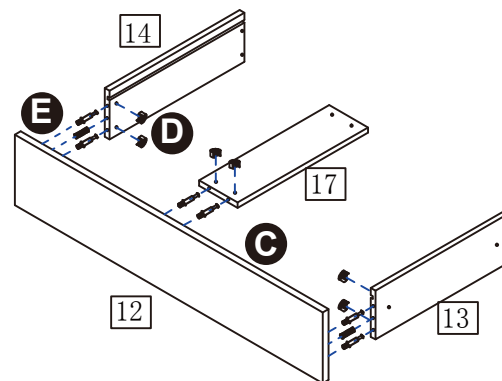
Align the arrow on 2 x camlock nut **D** with the edge of board **13**, **14** & **17**.

Rotate all camlock nuts **D** clockwise for about 1/4 or 1/2 a turn or until the bolts "connects" with the screw and is secure.

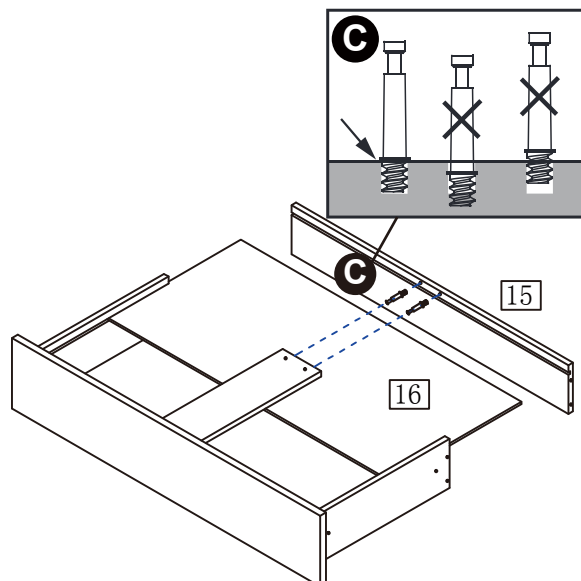
**c:** Slide drawer bottom **16** into the assembled section.

**d:** Insert 2 x camlock screw **C** on drawer front **15**.

**a:**  
**b:**

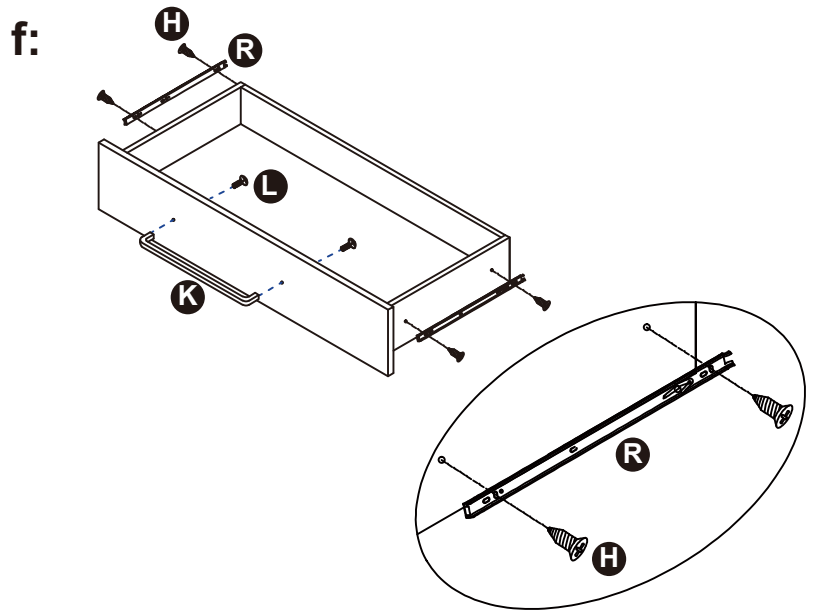
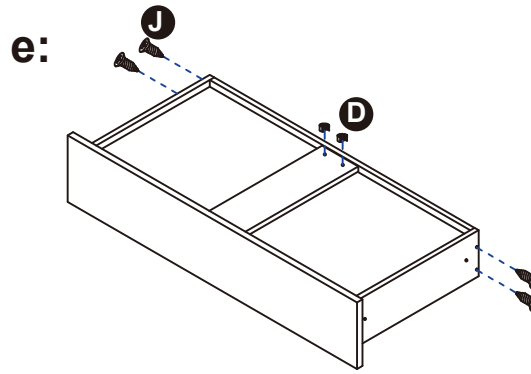


**c:**  
**d:**



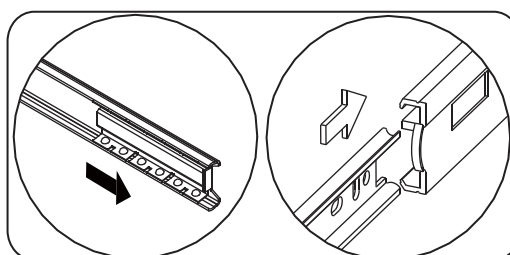
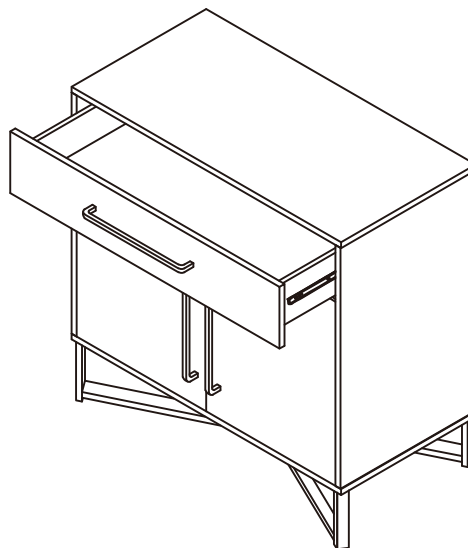
# Assembly Instructions

**e:** Attach board **15** to the assembled section using 4 x screw **J**.  
Align the arrow on 2 x camlock nut **D** with the edge of drawer bottom support **17**.  
Rotate all camlock nuts **D** clockwise for about 1/4 or 1/2 a turn or until the bolts "connects" with the screw and is secure.  
**f:** Attach 2 x runner **R** to drawer side **13** & **14** using 2 x screw **H** for each.



## Step 11

Please insert the drawer into the assembled section.



# Assembly Instructions

## Step 12

a: Fixing to wall  
Attach the wall strap kit **V**, **X**, **W**  
as shown on the drawing.



**Warning:**

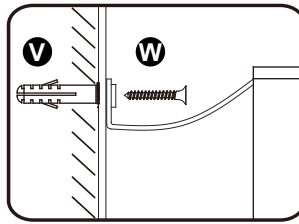
In order to prevent overturning this product must be used with the wall attachment advice provided.



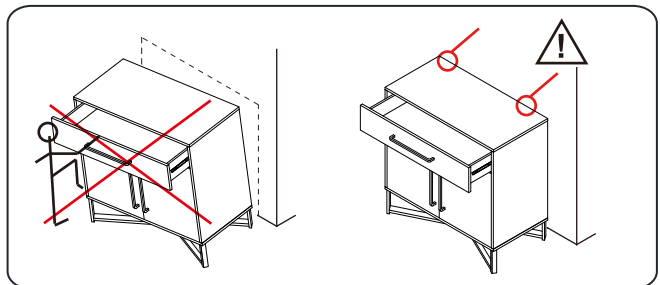
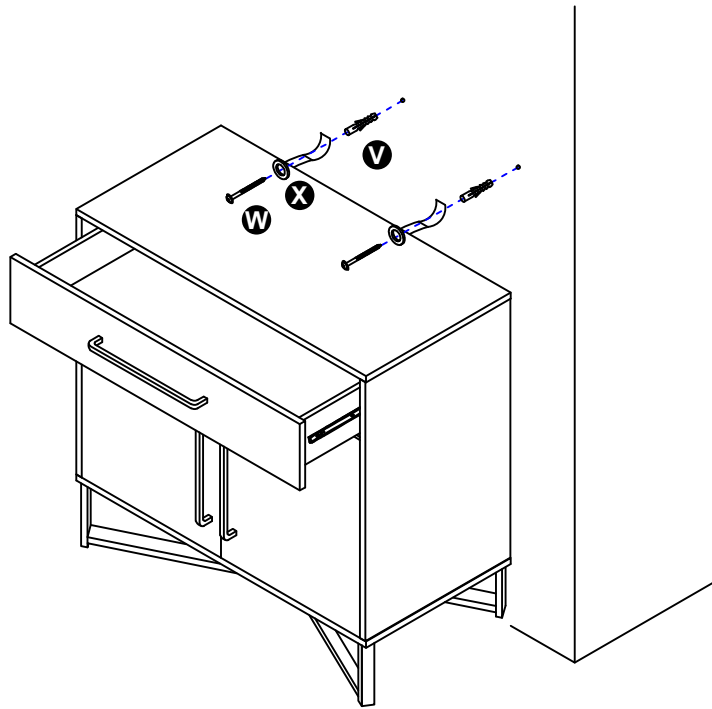
**Warning:**

Before drilling, check wall for hidden pipes and cables.

Assembly is complete.



**Note:** Wall plugs supplied are for solid wall only.  
The correct type of fixing must be used for your wall, seek professional advice if in doubt



# A Guide to - Wall Mounting & Fixings

## Important note:

If plastic wall plugs are supplied with your product:



- these are only suitable for use in masonry walls.

If you are in any doubt about the correct wall plugs for your wall, seek professional advice.


Failure of the product due to using incorrect fixings is the responsibility of the installer.



**Important:** When drilling into walls always check that there are no hidden wires or pipes etc.

Make sure that the screws and wall plugs being used are suitable for supporting your unit. Consult a qualified tradesperson if you are unsure.

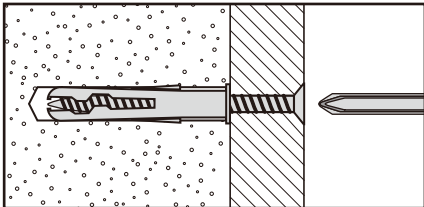
## Hints:

- 1: General rule:**  Always use a larger screw and wall plug if you are not sure.
- 2:** Ensure you use the recommended drill bit to match the wall plug and hole size.
- 3:** Ensure you drill the hole horizontally, do not force the drill or enlarge the hole.
- 4:** Take extra care when drilling high walls, ceilings and ceramic tiles. Ensure wall plugs are inserted beyond the thickness of the ceramic tiles to avoid the tiles splitting or cracking.
- 5:** Ensure wall plugs are well fitted and are a tight fit in the drilled hole.

## Types of walls

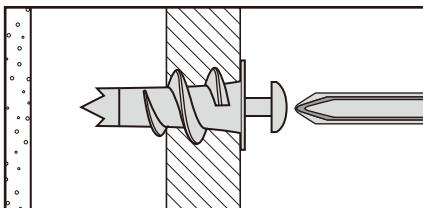
You can use one of the following types of wall plug if your walls are made of brick, breeze block, concrete, stone or wood.

### No.1 "General Purpose" wall plug



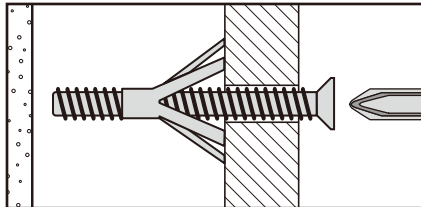
Generally aerated blocks should not be used to support heavy loads, use a specialist fitting in this case. For light loads, general purpose wall plugs can be used.

### No.2 "Plasterboard" wall plug



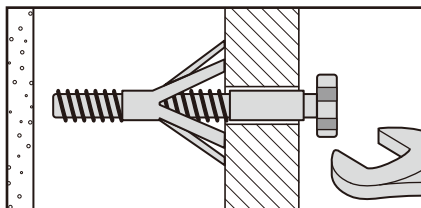
For use when attaching light loads on to plasterboard partitions.

### No.3 "Cavity Fixing" wall plug



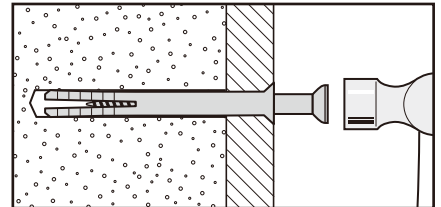
For use with plasterboard partitions or hollow wooden doors.

### No.4 "Cavity Fixing-Heavy Duty" wall plug



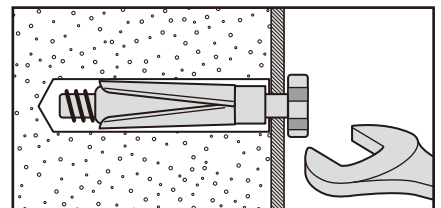
For use when fitting or supporting heavy loads such as shelving, wall cabinets and coat racks.

### No.5 "Hammer Fixing" wall plug



For use with walls stuck with plasterboard. The hammer fixing allows it to be fixed to the wall rather than the plasterboard. Always check the fixing is secure to the retaining wall.

### No.6 "Shield Anchor" wall plug Heavy loads



For use with heavier loads such as TV & HiFi speakers and satellite dishes etc.



## Care & Maintenance

**Safety:** Always check the fitting and location to ensure your safety in and around the home.

**Fitting:** From time to time check the fitting to ensure the wall plugs or screws do not become loose.