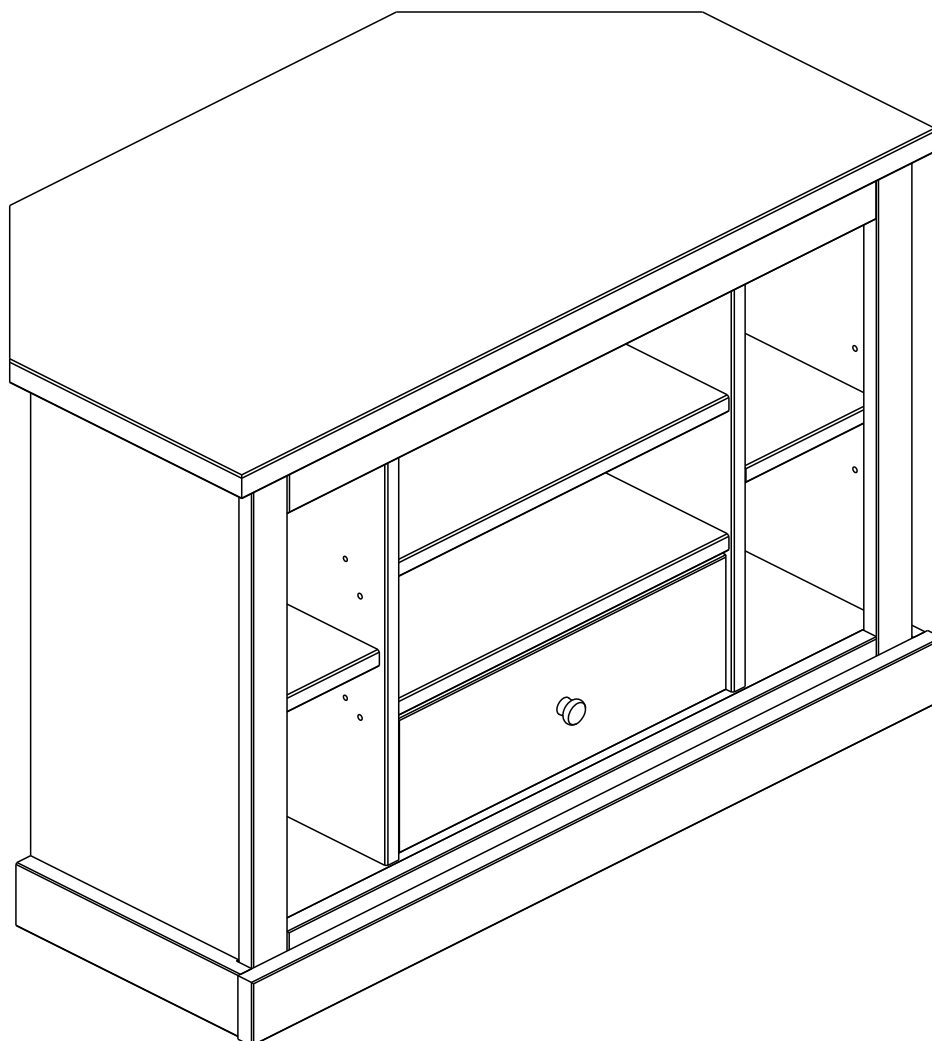


# Harrington - 1 Drawer Corner TV Unit

**Assembly Instructions** - Please keep for future reference

614/4221

129/7908



## Dimensions

Width - 90cm

Depth - 50cm

Height - 60cm

**Important** – Please read these instructions fully before starting assembly

If you need help or have damaged or missing parts, call the **Argos Customer Helpline: 08456 400 800** or **Homebase Customer Helpline: 0845 077 8888**.



# Safety and Care Advice

**Important** – Please read these instructions fully before starting assembly

- Check you have all the components and tools listed on pages 2 and 3.
- Remove all fittings from the plastic bags and separate them into their groups.
- Keep children and animals away from the work area, small parts could choke if swallowed.
- Make sure you have enough space to layout the parts before starting.
- Do not stand or put weight on the product, this could cause damage.
- Assemble the item as close to its final position (in the same room) as possible.
- Assemble on a soft level surface to avoid damaging the unit or your floor.

- This product has been produced from natural timber; you may notice some variation in the grain and colour of different component parts which is normal for furniture produced using natural wood and is not the result of any manufacturing fault.

- The product has been treated with a wax and oil finish to prevent dirt ingress and preserve moisture.

- On unpacking the furniture you may notice an odour due to this treatment; this will disappear once the furniture is unpacked and assembled after a period of time.

- This process may leave some staining on the packaging material; please take care to ensure this does not transfer to clothing or carpeted surfaces during assembly.



as this could damage the unit. Only use hand screwdrivers.

- We do not recommend the use of power drill/drivers **for inserting screws**,

- Parts of the assembly will be easier with 2 people.

- Dispose of all packaging carefully and responsibly.

## Care and maintenance

- Use an appropriate furniture polish for natural wood furniture and a dry cloth to clean the product.
- Avoid placing the furniture in direct sunlight as this will cause the timber to prematurely age.

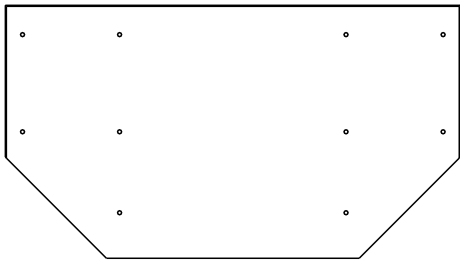
- From time to time check that there are no loose screws on this unit.

- This product should not be discarded with household waste. Take to your local authority waste disposal centre.

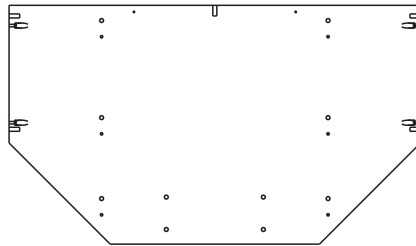
**Note:** If required the next page can be cut out and used as reference throughout the assembly. Keep this page with these instructions for future reference.

# Components - Panels

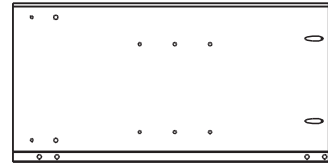
Please check you have all the panels listed below



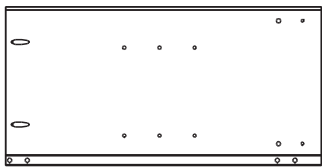
**1** Top panel (90 x 50cm)



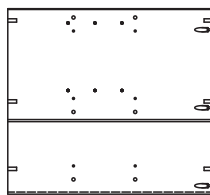
**2** Base panel (81,4 x 47,2cm)



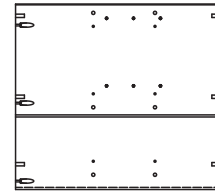
**3** Right side panel (57,4 x 28,9cm)



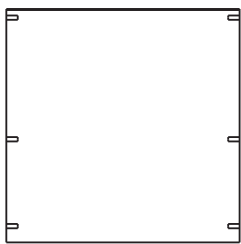
**4** Left side panel (57,4 x 28,9cm)



**5** Right division (48,7 x 44cm)



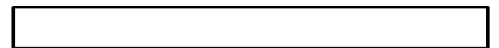
**6** Left division (48,7 x 44cm)



**7** Fixed shelf x2 (43 x 43cm)



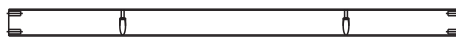
**8** Removable shelf x2 (17,2 x 26cm)



**9** Front plinth (89,2 x 6,7cm)



**10** Side plinth x2 (28,9 x 6,7cm)



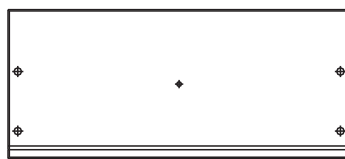
**11** Top front frame (76,2 x 4,6cm)



**12** Bottom front frame (76,2 x 4,6cm)



**13** Foot (24 x 6,7cm)



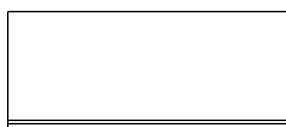
**14** Drawer front (42,5 x 14,5cm)



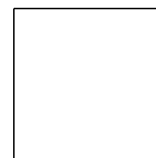
**15** Drawer right side (35 x 14 cm)



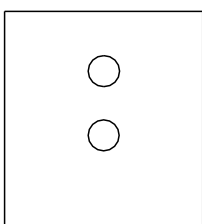
**16** Drawer left side (35 x 14cm)



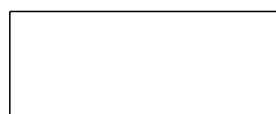
**17** Drawer back (39,3 x 14cm)



**18** Drawer bottom (34,7 x 40,3cm)



**19** Back panel with hole (48,7 x 44,8cm)



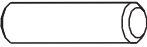





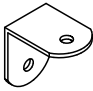

**20** Back panel x2 (48,7 x 18,8cm)

# Components - Fittings

If you have damaged or missing components, call the **Argos Customer Helpline: 08456 400 800** or **Homebase Customer Helpline: 0845 077 8888**.

Please check you have all the fittings listed below

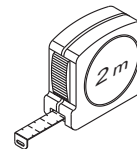
**Note:** The quantities below are the correct amount to complete the assembly. In some cases more fittings may be supplied than are required.

<b>A</b>  Wooden dowel x 49	<b>B</b>  30mm Screw x 33	<b>C</b>  Drawer handle x 1
<b>D</b>  Nail x 30	<b>E</b>  35mm Screw x 19	<b>F</b>  Shelf support x 8
<b>G</b>  Bracket x 2	<b>H</b>  16mm Screw x 4	

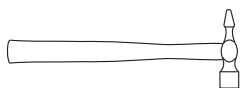
## Tools required



Phillips screwdriver  
(medium & large)



Ruler/tape  
measure



Small  
hammer



Eye protection  
(when using a  
hammer or glue)

**Ruler-** Use this ruler to help correctly identify the screws

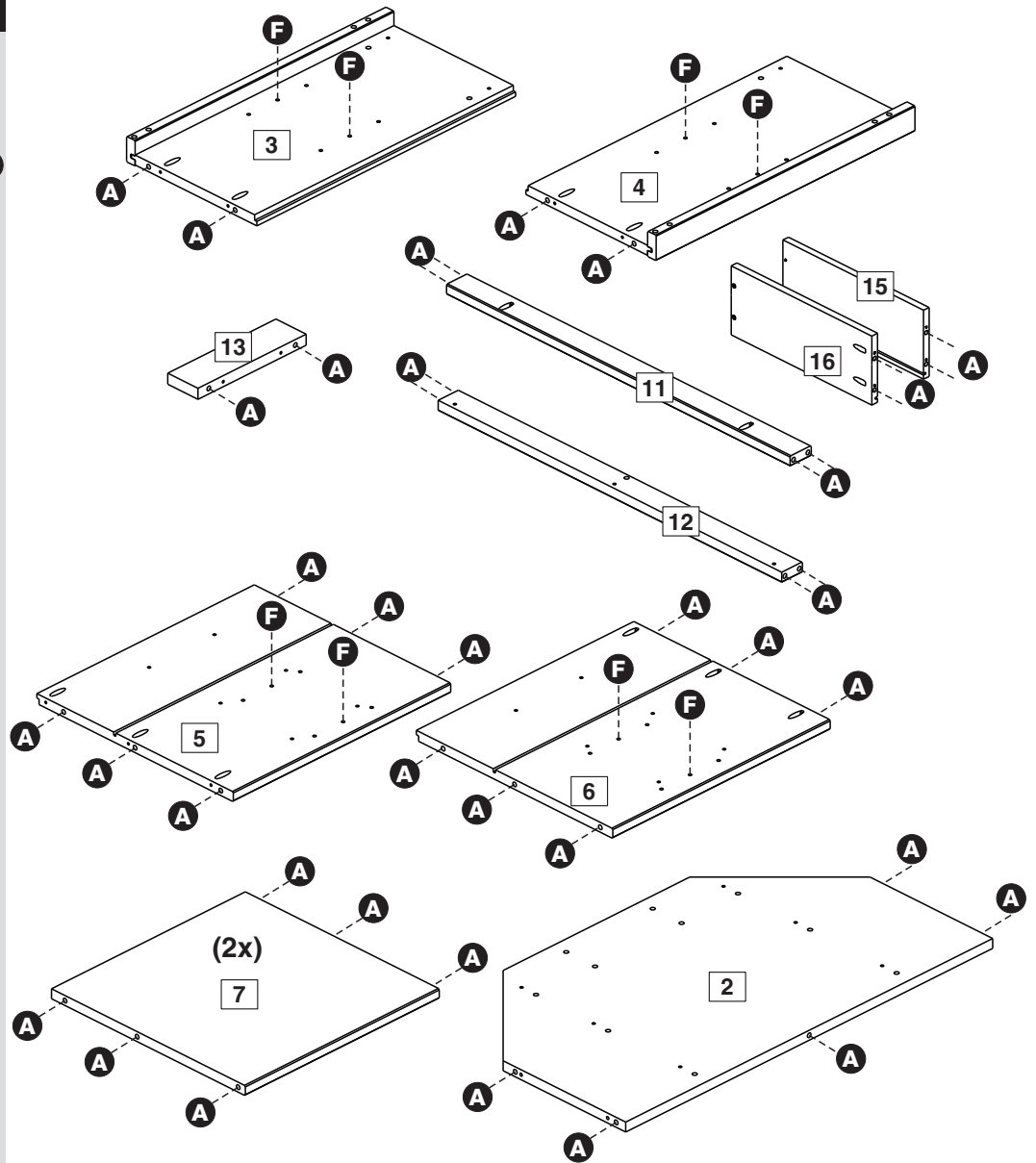


# Assembly Instructions

## Step 1

Insert dowels **A** into the indicated parts.


Insert shelf support pins **F** into side panels **3** and **4** and divisions **5** and **6**.

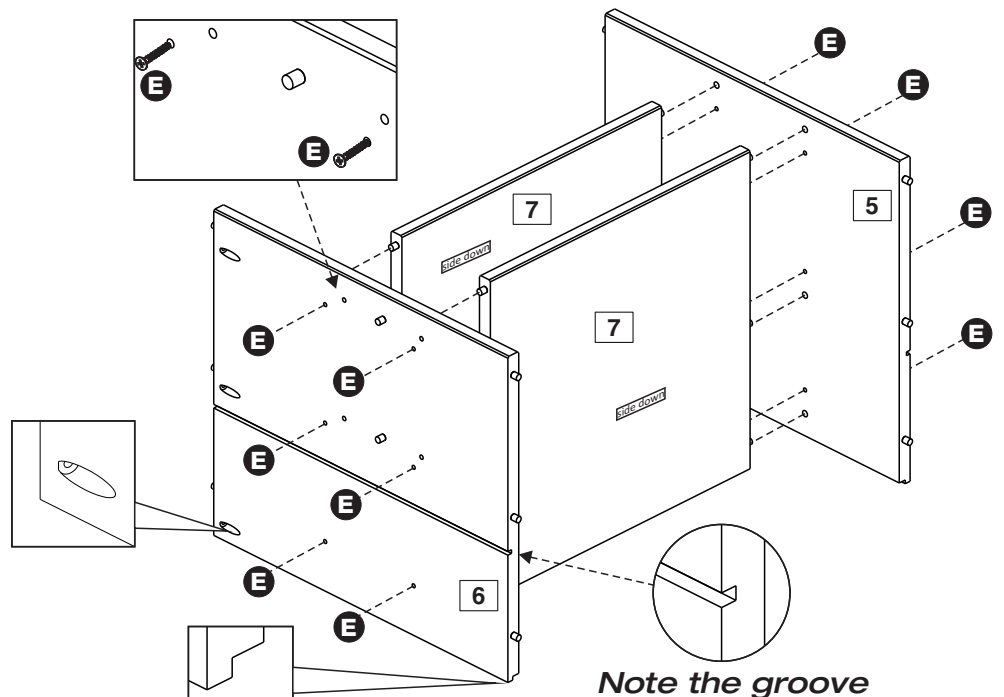


## Step 2

Attach divisions **5** and **6** to the fixed shelves **7** using long screws **E**.

Please note the position of the labels on panel **7**.

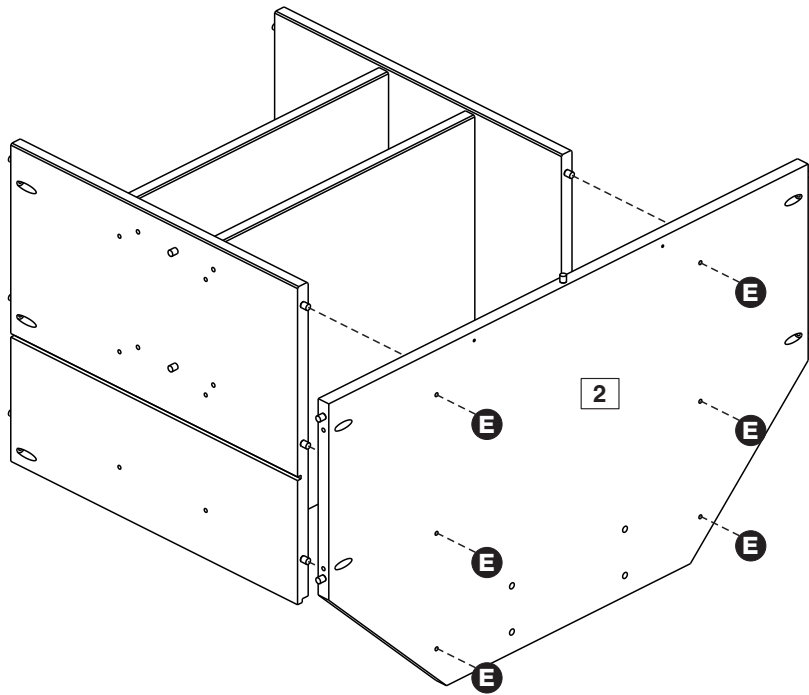
 **Note!** grooves on divisions **5** and **6** must be facing outside and holes facing up as showing in the diagram.



# Assembly Instructions

## Step 3


Fit base panel **2** to the assembled part and fix it using screws **E**.

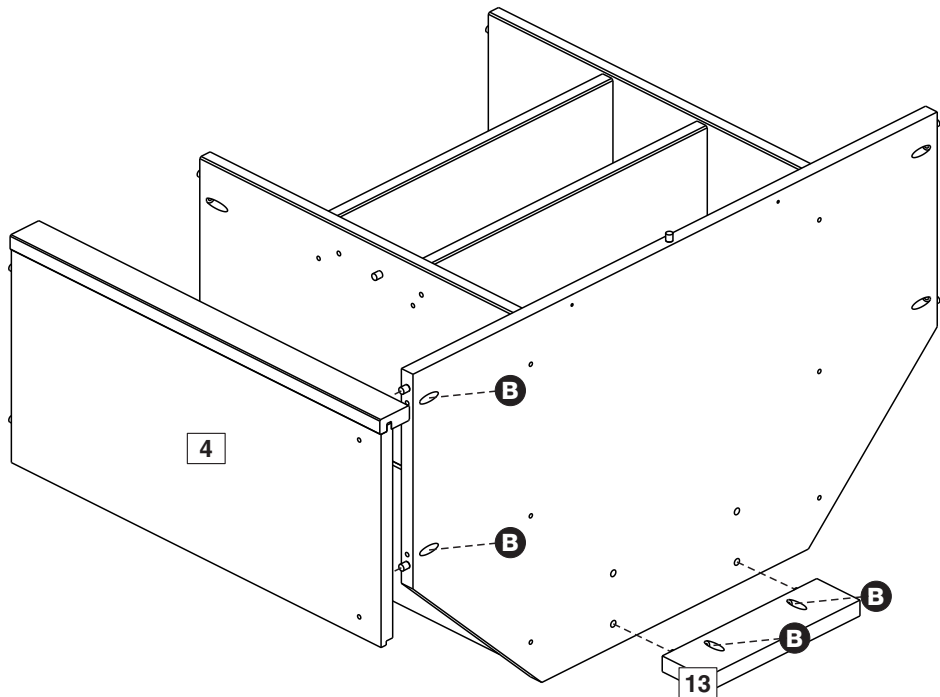


## Step 4

Fit left side panel **4** to the assembled part, then attach it to the base panel **2** using screws **B**.

Fix foot **13** to the base panel using screws **B**.

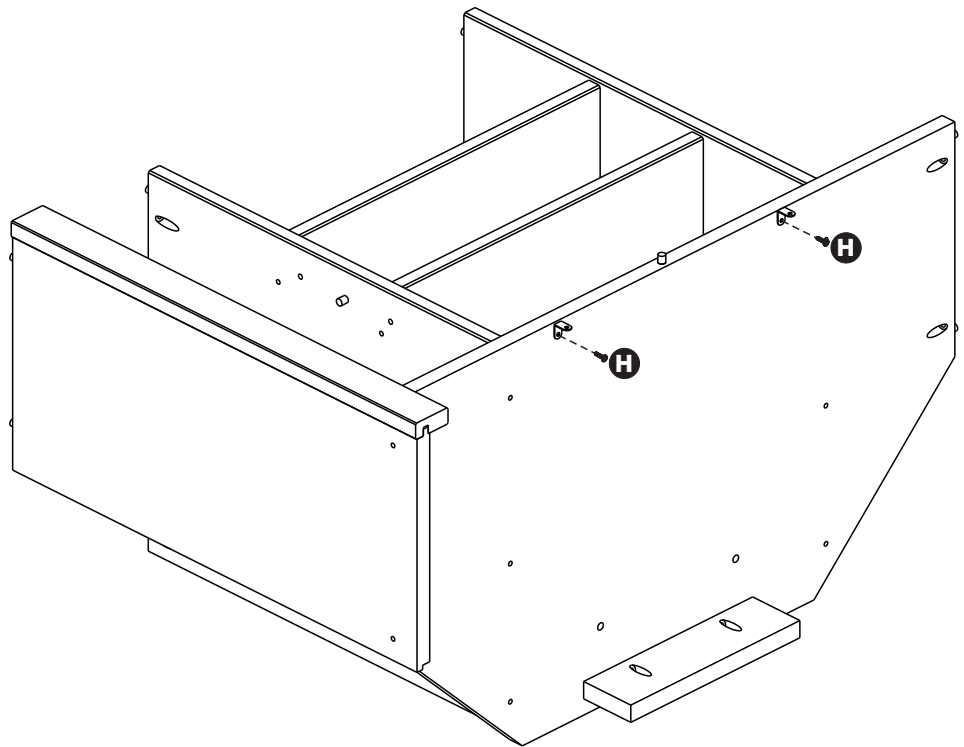
 **Note:** correct position as shown in the diagram before fixing.



# Assembly Instructions


## Step 5

Fix brackets **G** through pre-drilled holes on base panel using screws **H**.




## Step 6

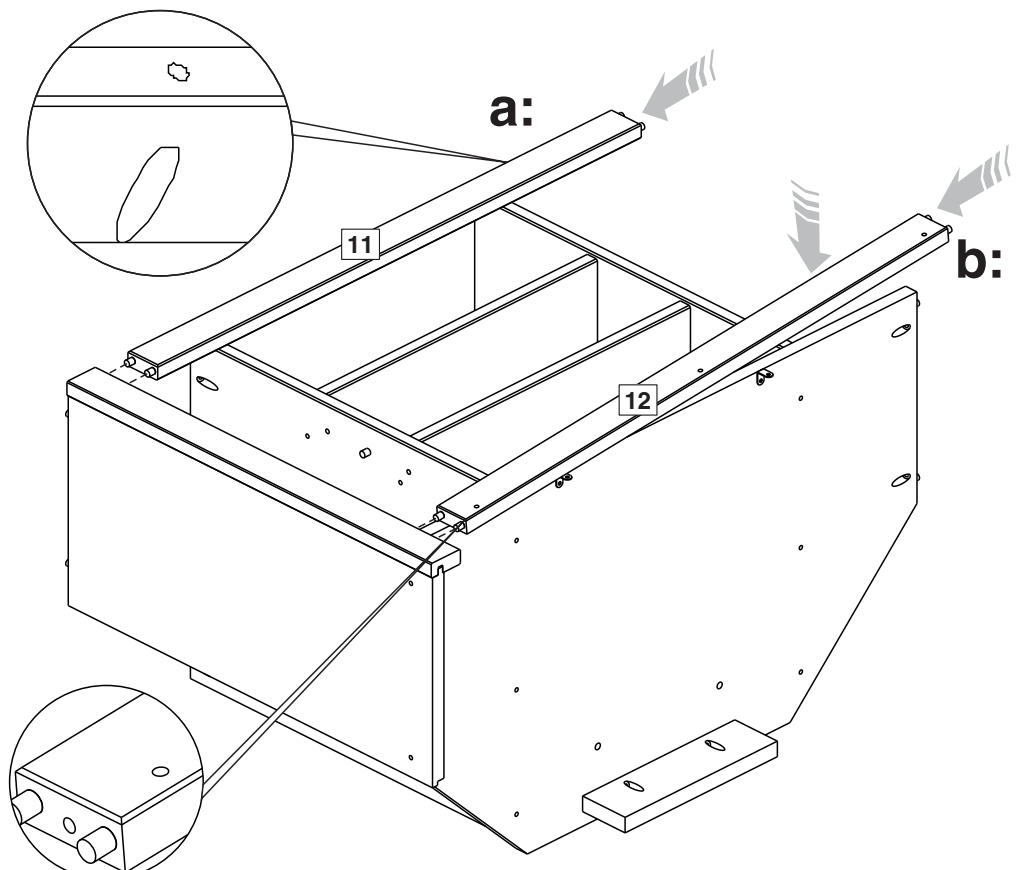
a: Fit top front frame **11** to the assembled part.

 **Attention** Make sure holes on top front frame **11** are facing up.

b: Fit bottom front frame **12** to the assembled part.

 **Attention** Make sure the frame is positioned as shown in the diagram.

**Attention!**  
View from behind!



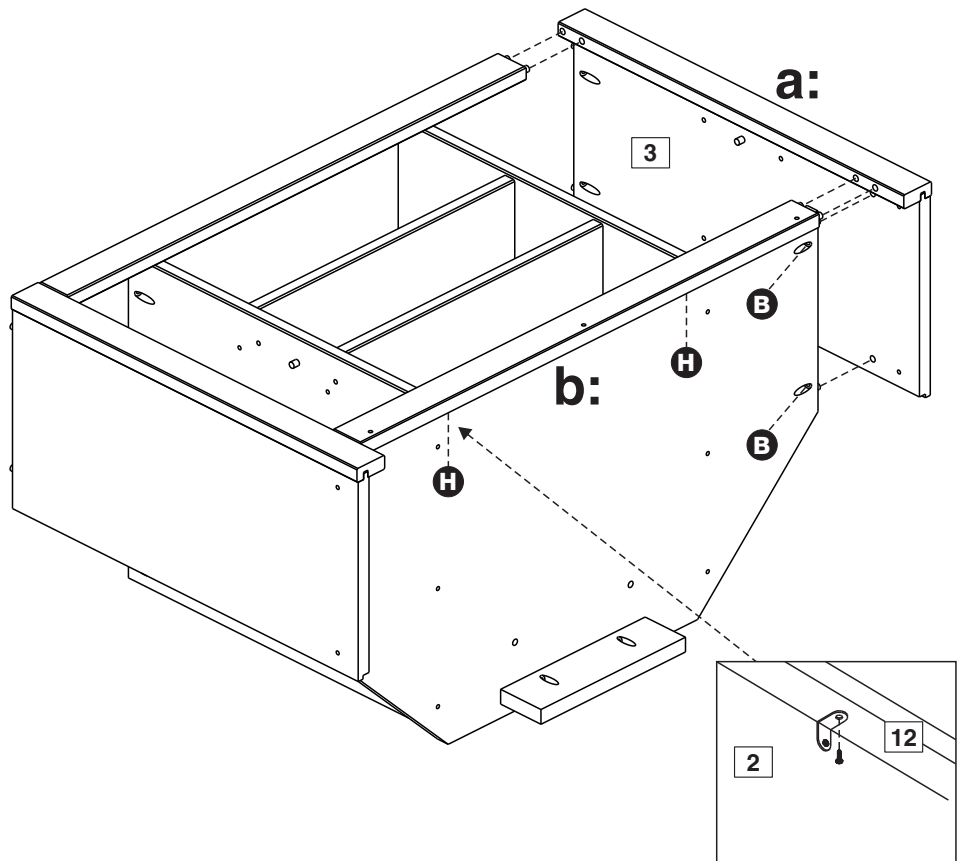
**Attention!**

# Assembly Instructions

## Step 7

**a:** Fit right side panel **3** to the front frames and base panel, then fix it to the base panel using screws **B**.

**b:** Fix bracket **G** to the bottom front frame **12** using screws **H** as shown.



## Step 8

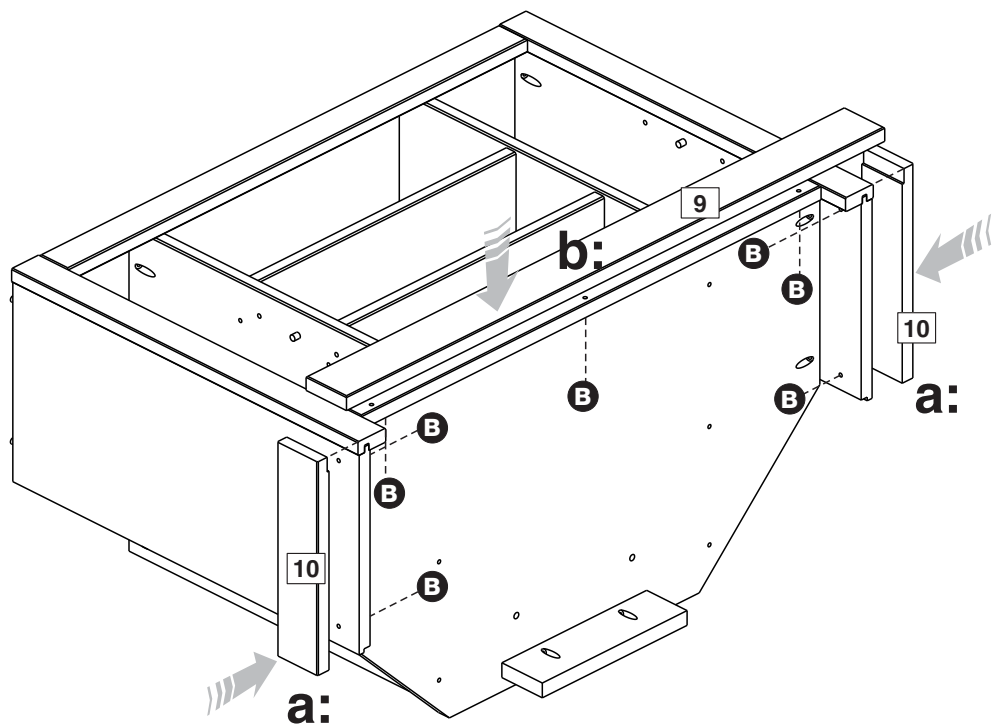
**Fixing sides and front plinth.**

**a:** Fix side plinths **10** to the side panels using screws **B**.

**Note:** Make sure side plinths are aligned to the bottom and front edges of the side panels.

**b:** Fix front plinth **9** to the bottom front frame **11** using screws **B**.

**Note:** Make sure front plinth **9** is aligned to the bottom edge of the side panels and in line to the side plinths. Chaired edges to be facing up.





# Assembly Instructions

## Step 9

### Fixing top panel

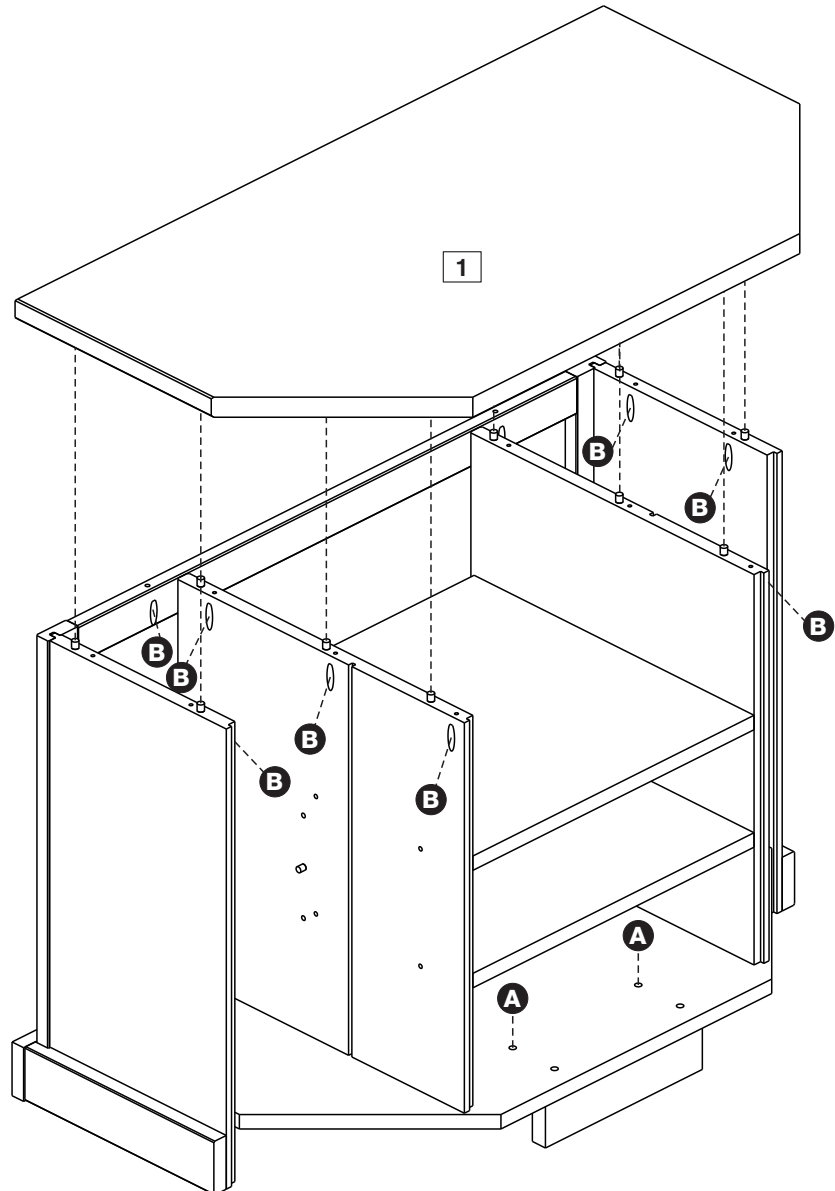


#### **Important:**

With help, carefully stand the product upright.

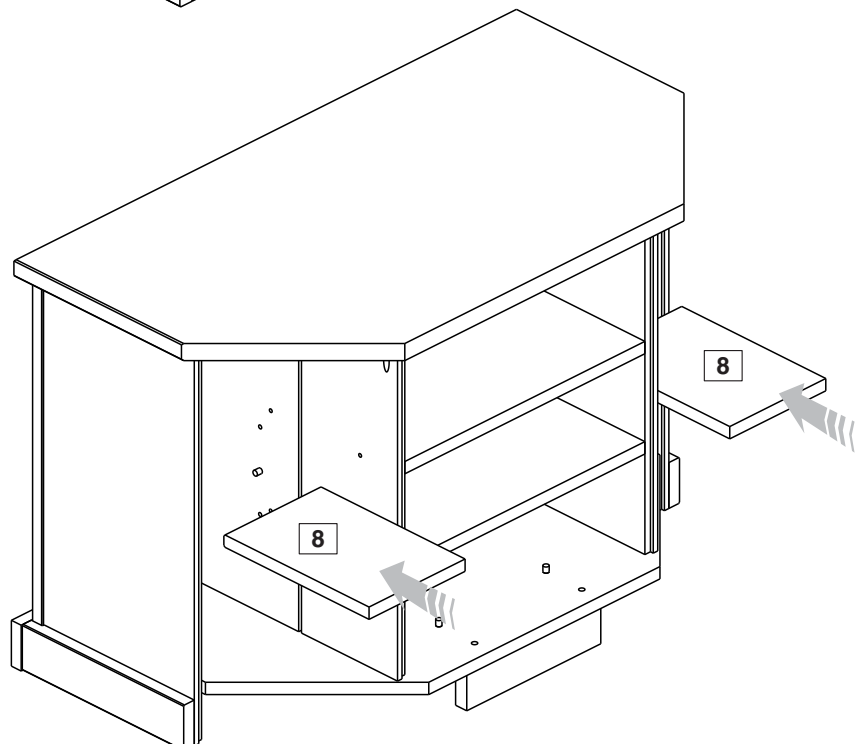
With help, fit top panel **1** to the assembled part then fix it using screws **B**.

Insert dowels **A** half way through to the holes on base panel, as shown in the diagram.



## Step 10

Position shelves **8** into place. Chamfered edges to be facing front.



# Assembly Instructions

## Step 11

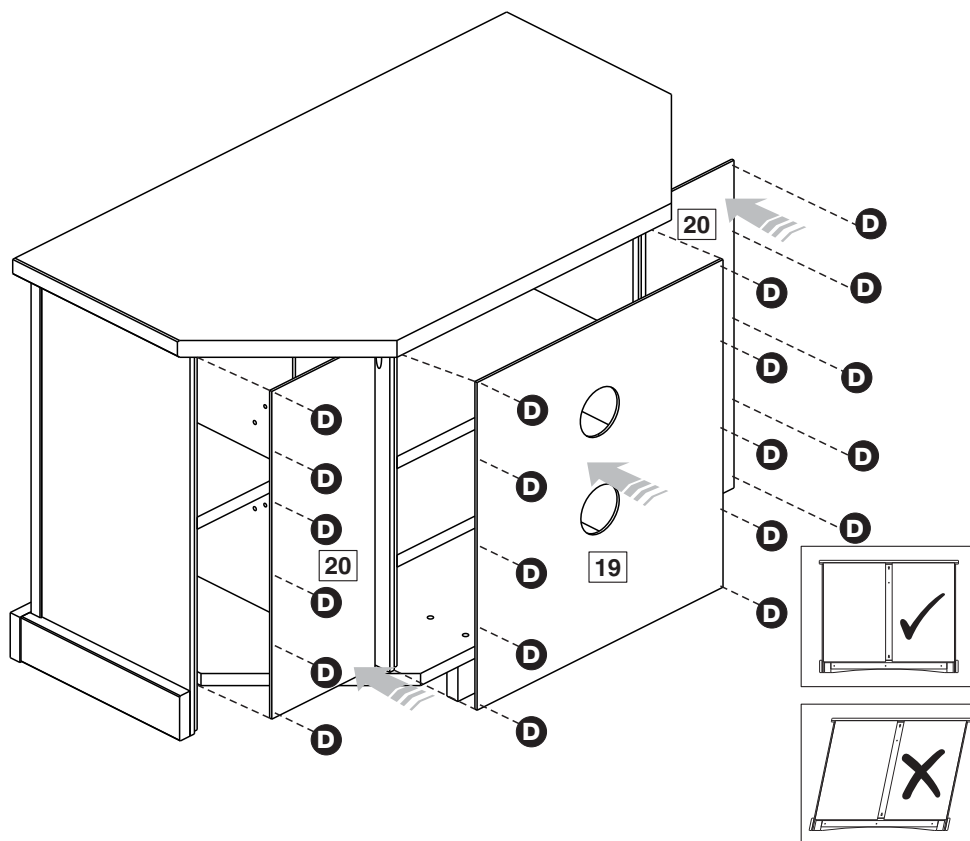
### Fixing back panels.



**Important:**

Product **MUST** be upright and square when back panels are attached.

Attach the back panels **19** and **20** using nails **D**.



## Step 12

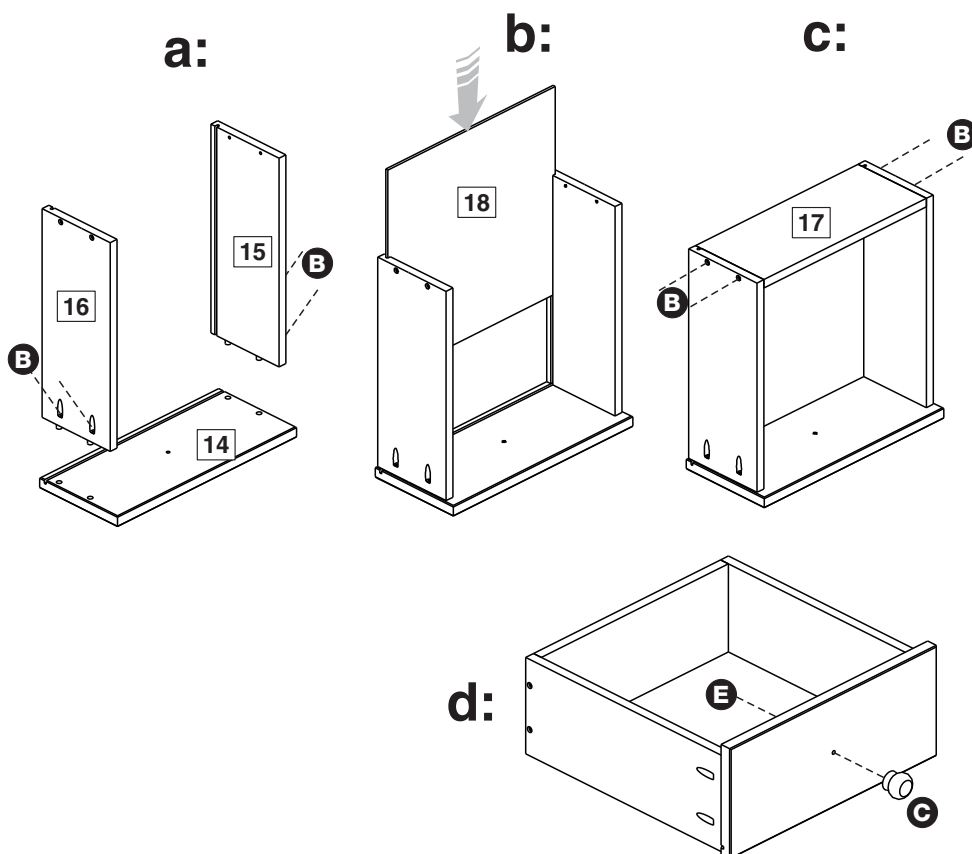
### Drawer assembly.

**a:** Attach drawer sides **15** and **16** to the drawer front **14** using screws **B**.

**b:** Slide drawer bottom **18** into slots.

**c:** Position drawer back **17** in place, press the drawer sides and fit it using screws **B**.

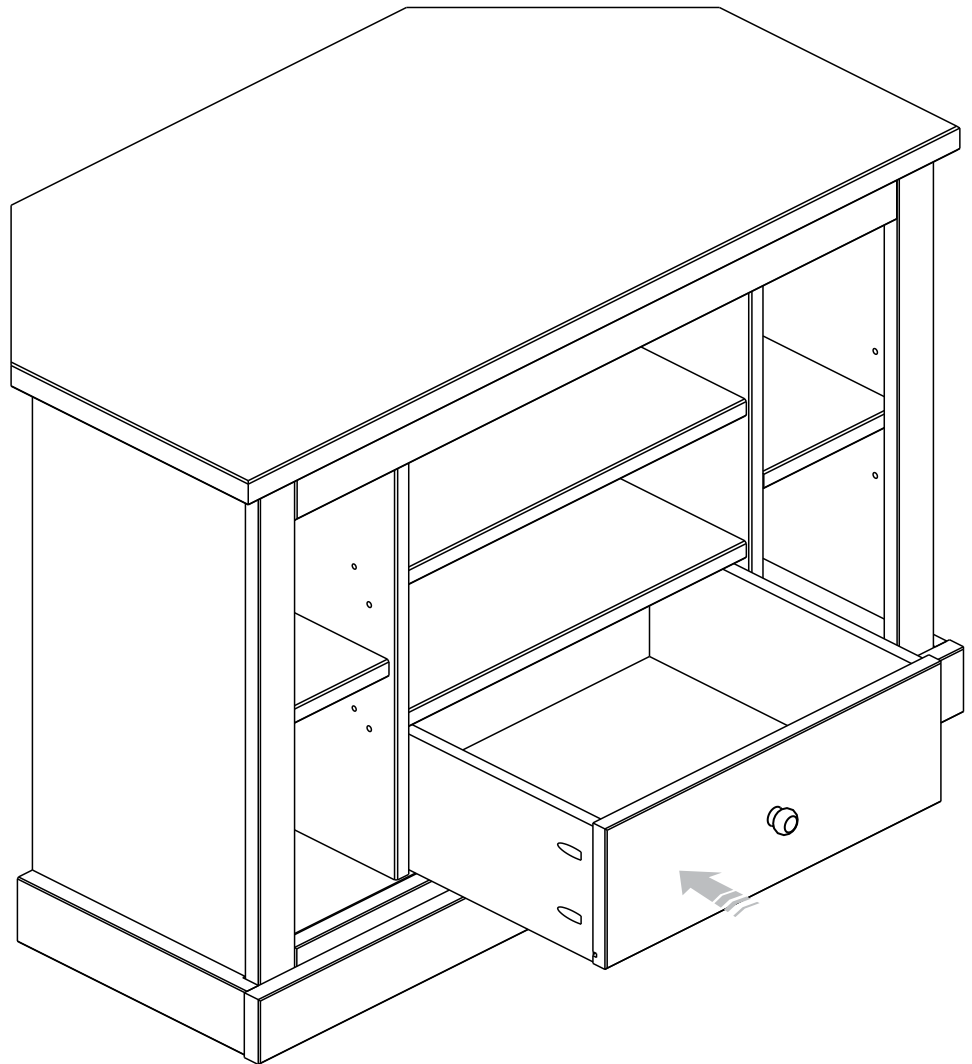
**d:** Using screw **E** attach the drawer handle **C** to the drawer front.



# Assembly Instructions

## Step 13

Insert drawer into unit.



**Assembly is complete.**

If you need help or have damaged or missing parts, call the **Customer Helpline: 08456 400 800**