

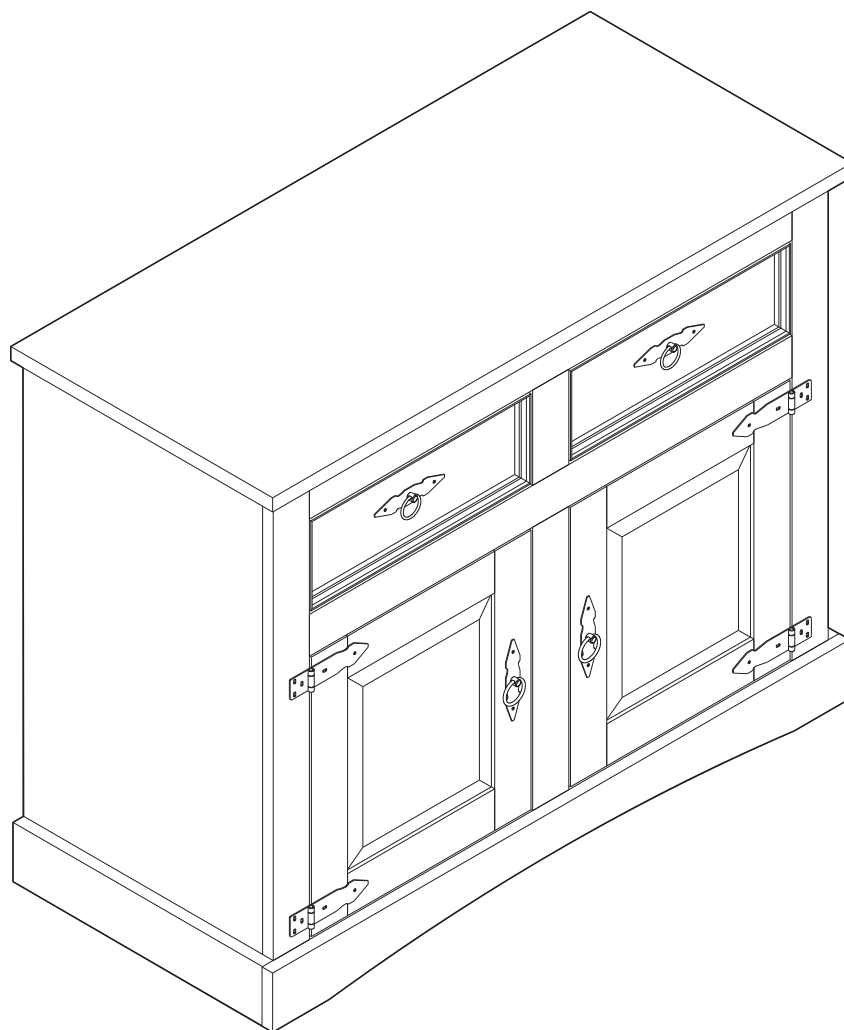
Aruba - Sideboard

Assembly Instructions - Please keep for future reference

614/3868

614/3875

116/6383



Dimensions

Width - 104cm

Depth - 47cm

Height - 83,5cm

Important – Please read these instructions fully before starting assembly

If you need help or have damaged or missing parts, call the **Argos Customer Helpline: 08456 400 800**
or **Homebase Customer Helpline: 0845 077 8888**



Safety and Care Advice

Important – Please read these instructions fully before starting assembly

- Check you have all the components and tools listed on pages 2 and 3.
- Remove all fittings from the plastic bags and separate them into their groups.
- Keep children and animals away from the work area, small parts could choke if swallowed.
- Make sure you have enough space to layout the parts before starting.
- Do not stand or put weight on the product, this could cause damage.
- Assemble the item as close to its final position (in the same room) as possible.
- Assemble on a soft level surface to avoid damaging the unit or your floor.

- This product has been produced from natural timber; you may notice some variation in the grain and colour of different component parts which is normal for furniture produced using natural wood and is not the result of any manufacturing fault.
- The product has been treated with a wax and oil finish to prevent dirt ingress and preserve moisture.
- On unpacking the furniture you may notice an odour due to this treatment; this will disappear once the furniture is unpacked and assembled after a period of time.
- This process may leave some staining on the packaging material; please take care to ensure this does not transfer to clothing or carpeted surfaces during assembly.



as this could damage the unit. Only use hand screwdrivers.

- We do not recommend the use of power drill/drivers **for inserting screws**,

- Parts of the assembly will be easier with 2 people.
- Dispose of all packaging carefully and responsibly.

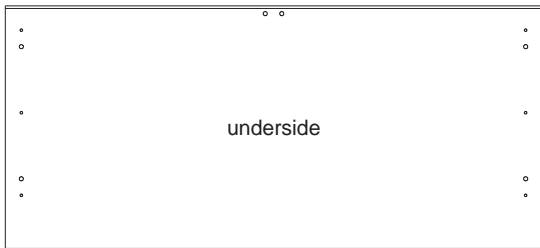
Care and maintenance

- Use an appropriate furniture polish for natural wood furniture and a dry cloth to clean the product.
- Avoid placing the furniture in direct sunlight as this will cause the timber to prematurely age.
- From time to time check that there are no loose screws on this unit.
- This product should not be discarded with household waste. Take to your local authority waste disposal centre.

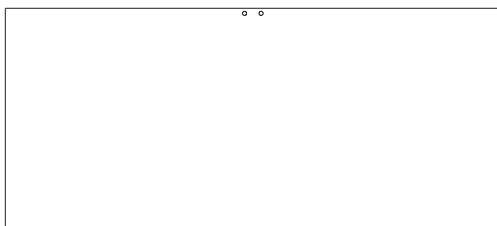
Note: If required the next page can be cut out and used as reference throughout the assembly. Keep this page with these instructions for future reference.

Components - Panels

Please check you have all the panels listed below



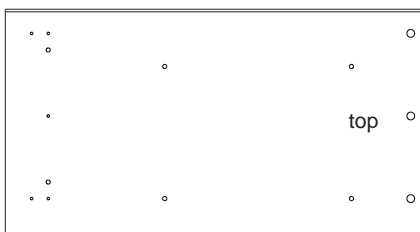
1 Top panel (104 x 47cm)



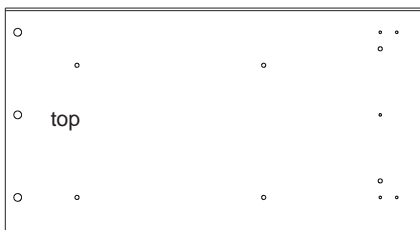
2 Base panel (96 x 42.4cm)



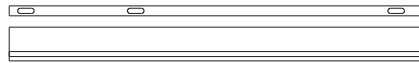
3 Shelf (96 x 40cm)



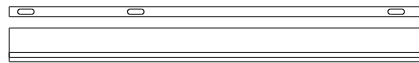
4 Right side panel (81 x 44cm)



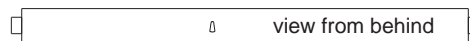
5 Left side panel (81 x 44cm)



6 Right front frame (81 x 6.5cm)



7 Left front frame (81 x 6.5cm)



8 Top front frame (90.6 x 6.5cm)



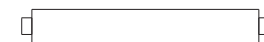
9 Middle front frame (90.6 x 6.5cm)



10 Bottom front frame (90.6 x 6.5cm)



11 Back column (71.8 x 6.5cm)



12 Vertical frame (48 x 6.5cm)



13 Small vertical frame (18.8 x 6.5cm)



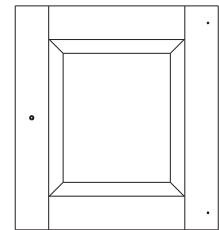
14 Side plinth x 2 (45 x 9.2cm)



15 Front plinth (103.6 x 9.2cm)



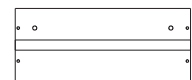
23 Back panel x 2 (75 x 47cm)



16 Door x 2 (43.4 x 39.4cm)



17 Drawer front x 2 (39.5 x 14cm)



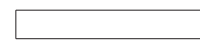
18 Drawer sides x 4 (34 x 14cm)



19 Drawer back x 2 (37 x 14cm)



20 Middle drawer runner (40.5 x 8.1cm)



21 Side drawer runner x 2 (36.6 x 5.5cm)



22 Block x 4 (10 x 2cm)




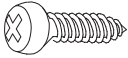
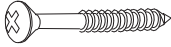
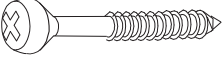
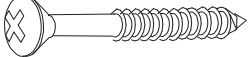
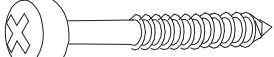



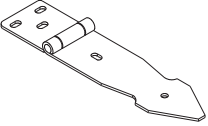
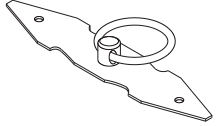
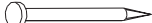

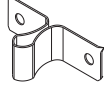


24 Drawer bottom x 2 (38 x 32.6cm)

Components - Fittings

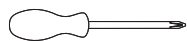
If you have damaged or missing components, call the **Argos Customer Helpline: 08456 400 800** or **Homebase Customer Helpline: 0845 077 8888**

Please check you have all the fittings listed below

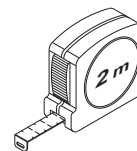
Note: The quantities below are the correct amount to complete the assembly. In some cases more fittings may be supplied than are required.

A  Wooden dowel x 28	B  14mm Screw x 37	C  30mm Screw x 24
D  35mm Screw x 21	E  40mm Screw x 6	F  50mm Screw x 4
G  19mm Bolt x 4	H  Metal dowel x 6	I  Locking nut x 6
J  Door hinge x 4	K  Door / drawer handle x 4	L  Nail x 32
M  Clip x 2	N  Plug x 2	O  Washer x 2
P  Wall strap x 1		

Tools required



Phillips screwdriver
(medium & large)



Ruler/tape
measure



Small
hammer



Eye protection
(when using a
hammer or glue)

Ruler - Use this ruler to help correctly identify the screws



Assembly Instructions

Step 1

Fixing right front frame to the right side panel
(Two people required for an easier assembly).

a: Insert right side panel **4** into right front frame **6** through joints.



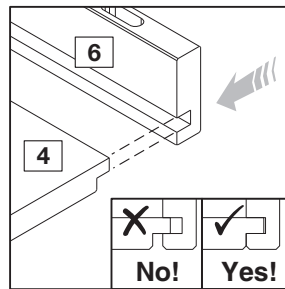
Note:

Before fixing the blocks **22** into place it is important to ensure that the slot and groove of parts **4** and **6** are fully pushed together and lined up correctly at the top and bottom.

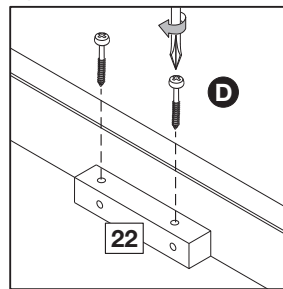
b: Place blocks **22** in the positions shown. First fix to the side panel using screws **D**.

c: Fix front frame through blocks **22** using screws **D**.

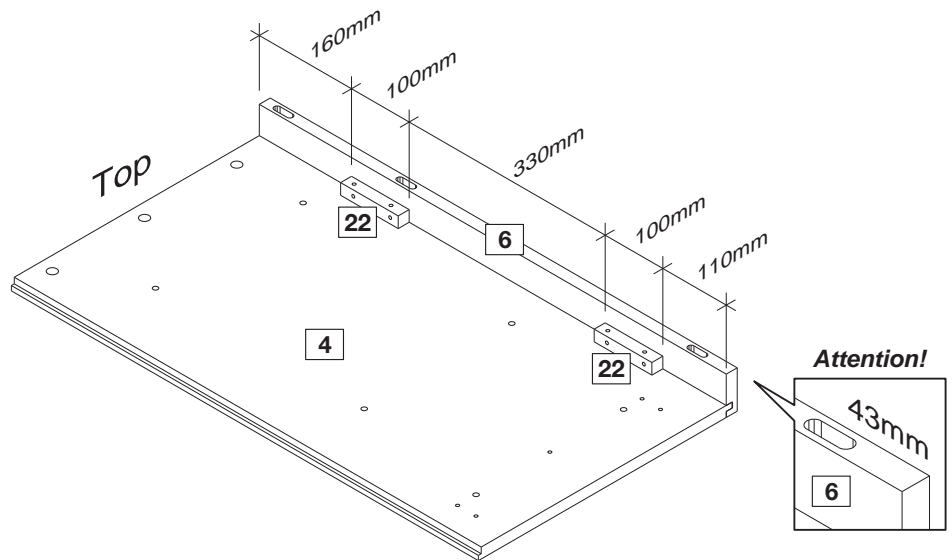
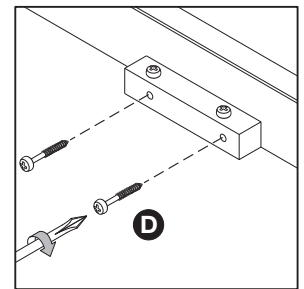
a:



b:



c:



Step 2

Fixing left front frame to the left side panel
(Two people required for an easier assembly).

a: Insert left side panel **5** into left front frame **7** through joints.



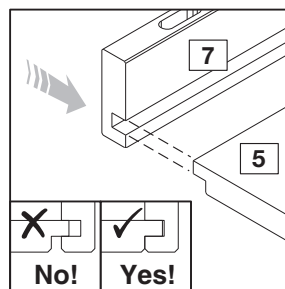
Note:

Before fixing the blocks **22** into place it is important to ensure that the slot and groove of parts **5** and **7** are fully pushed together and lined up correctly at the top and bottom.

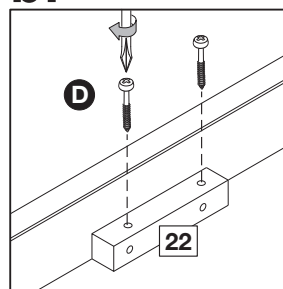
b: Place blocks **22** in the positions shown. First fix to the side panel using screws **D**.

c: Fix front frame through blocks **22** using screws **D**.

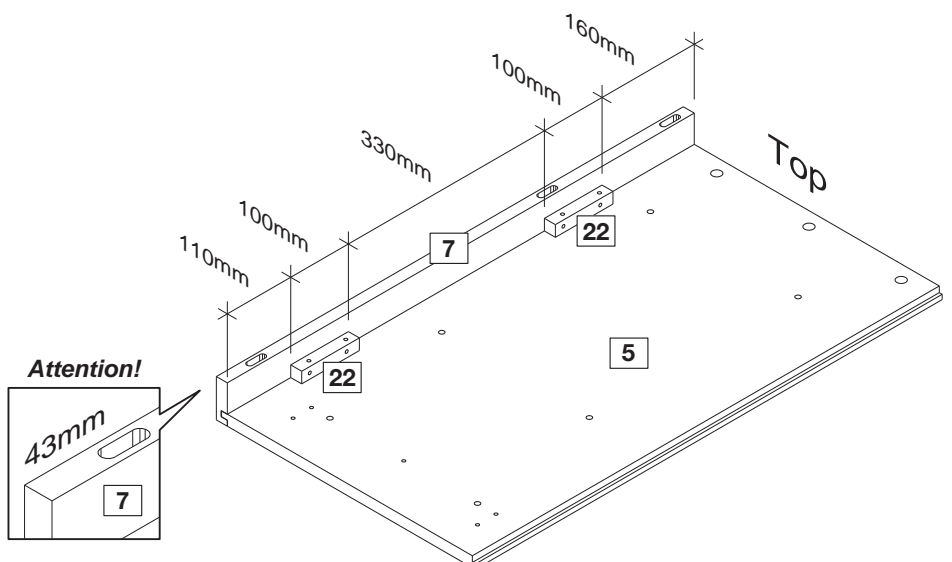
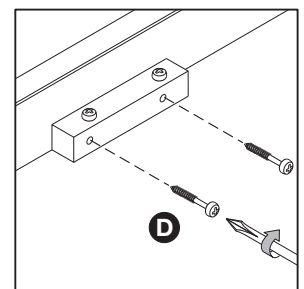
a:



b:



c:



Assembly Instructions

Step 3

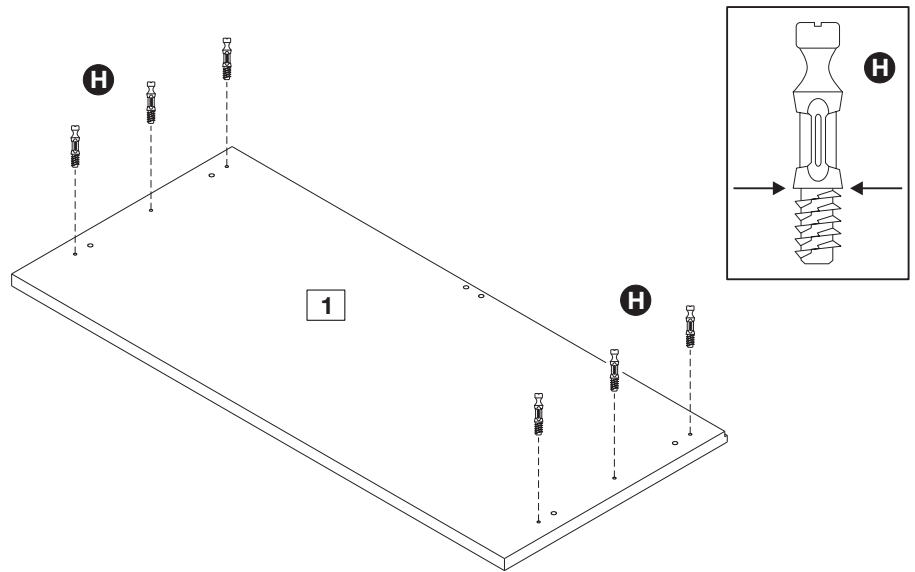
Fitting Metal dowels.

Screw metal dowels **H** into top panel **1**.



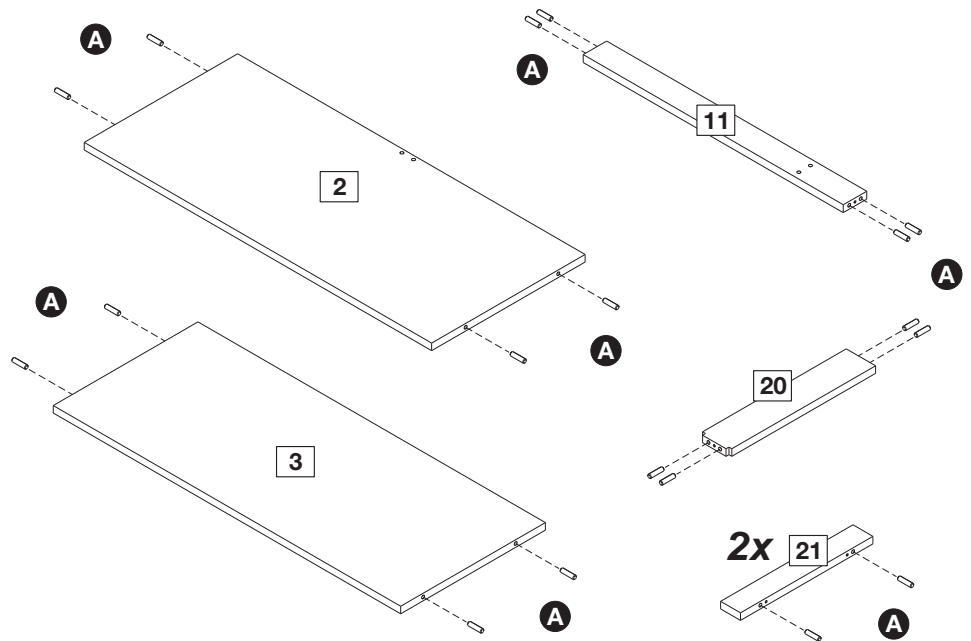
Note: Insert metal dowels as far as shown.

Do not over tighten.



Step 4

Insert dowels **A** into the indicated parts.

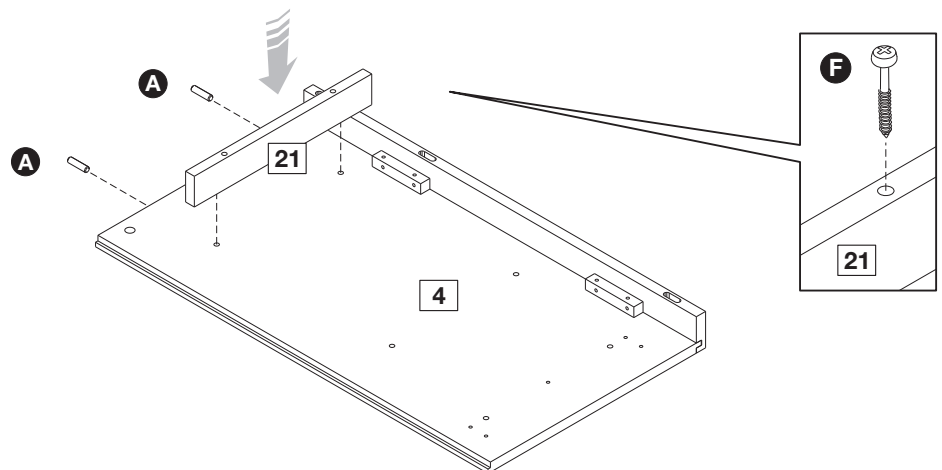


Step 5

Insert 2 dowels **A** in the right side panel **4**.

Fit side drawer runner **21** to the right side panel **4** then fix it using screws **F** as shown.

Repeat step 5 for the other side drawer runner and left side panel **5**.



Assembly Instructions

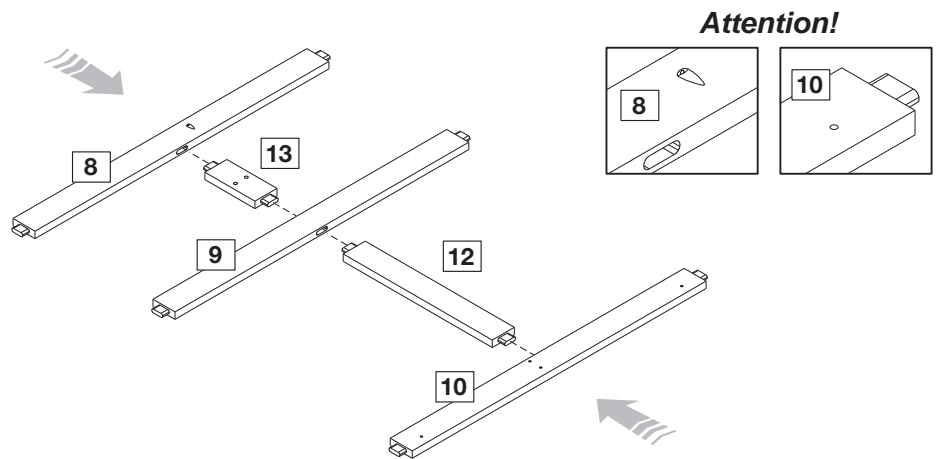
Step 6

Assembling parts.

Put parts **8**, **9**, **10**, **12** and **13** together as shown in the diagram.

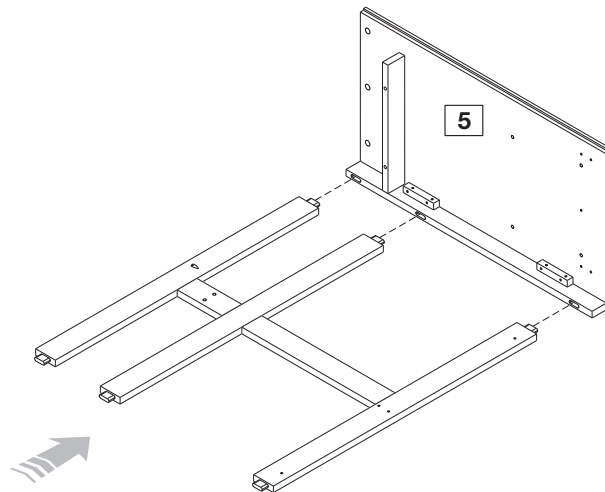


Attention!
To the correct holes position.



Step 7

Insert the assembled frame into the holes on left side panel **5**.



Step 8

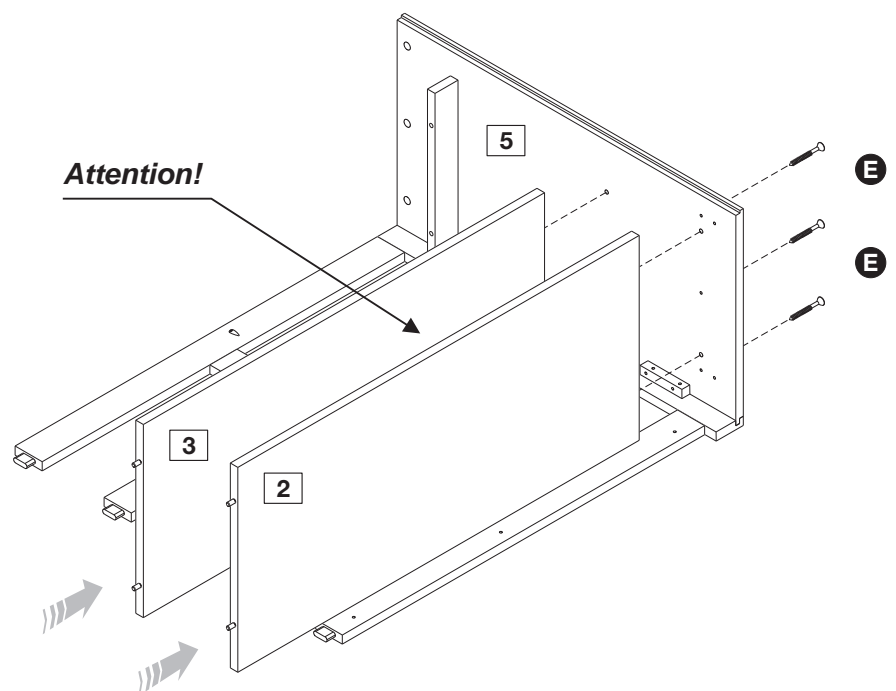
Fixing panels.

Attach base panel **2** to the left side panel **5** using screw **E**.

Fit shelf **3** to the left side panel **5**.



Attention!
Holes on base panel **2** to be facing up. You might need to rotate base panel to get it in the right position.

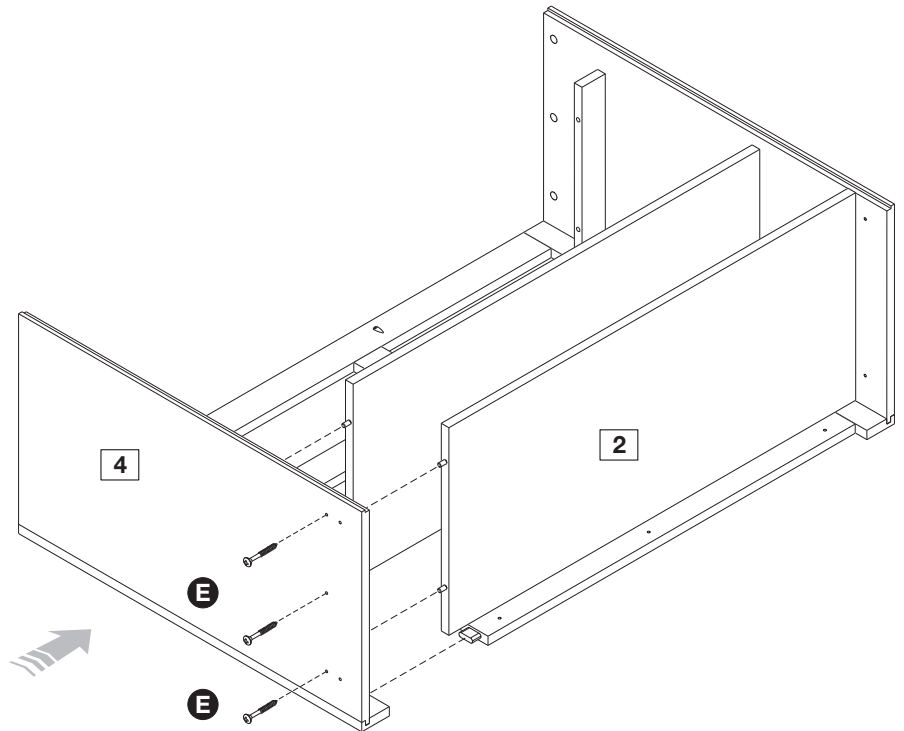


Assembly Instructions

Step 9

Place side **4** properly ensuring dowels and front frames **8**, **9** and **10** are all fit into their holes at the same time.

Fix right side panel **4** to the base panel **2** using screws **E**.



Step 10

Fixing middle drawer runner.



Important:

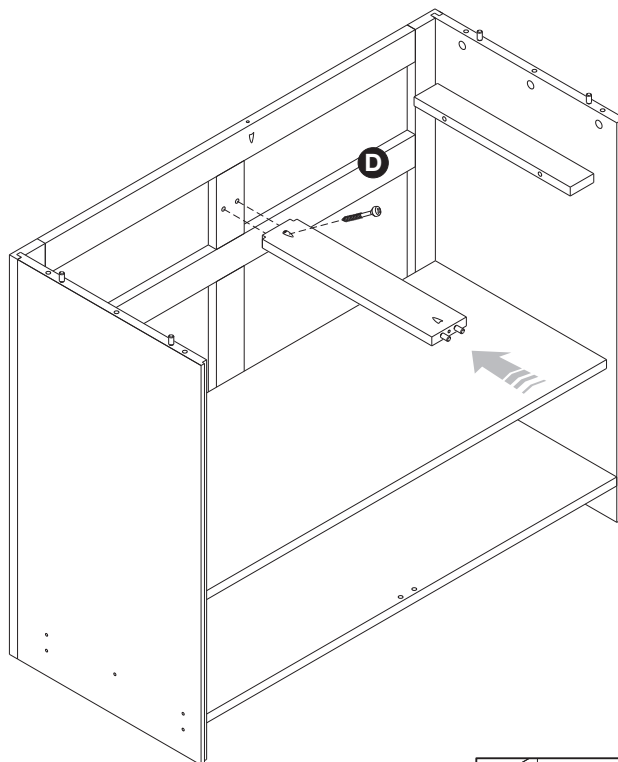
With help, carefully stand the product upright.

Fit middle drawer runner **20** to the small vertical frame **13** then fix using screw **D**.

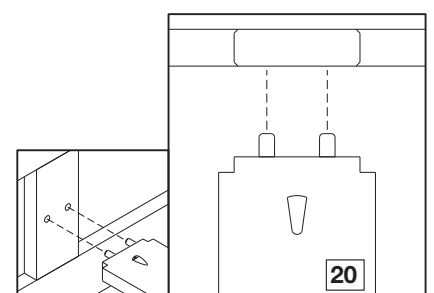


Attention:

Make sure middle drawer runner is positioned as shown in the diagram prior to fixing.



Attention:

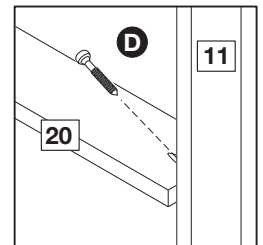
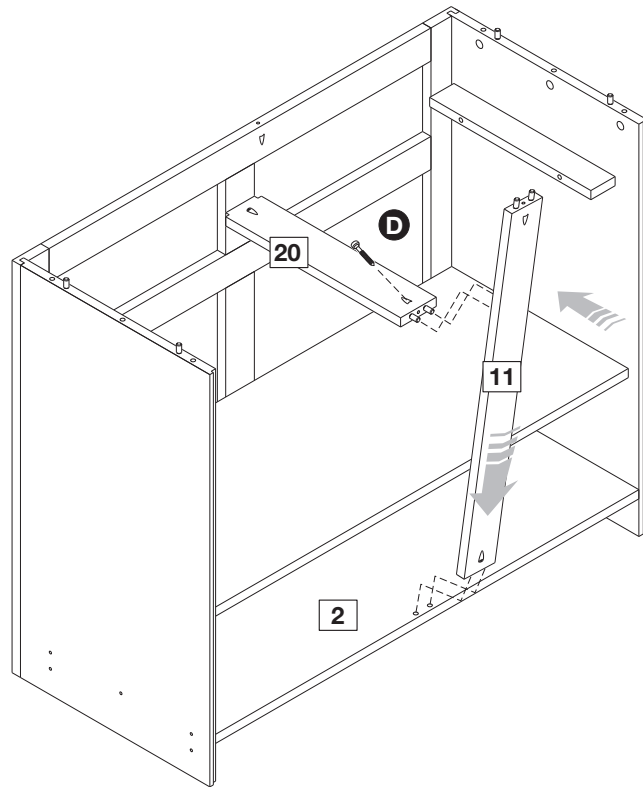


Assembly Instructions

Step 11

Fixing back column.

Fit back column **11** to the base panel **2** and middle drawer runner **20** then fix it using screw **D**.



Step 12

Fixing top panel.

With help, fit top panel **1** to the cabinet.

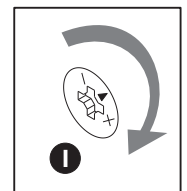
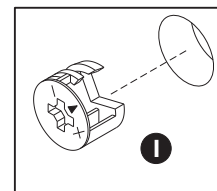
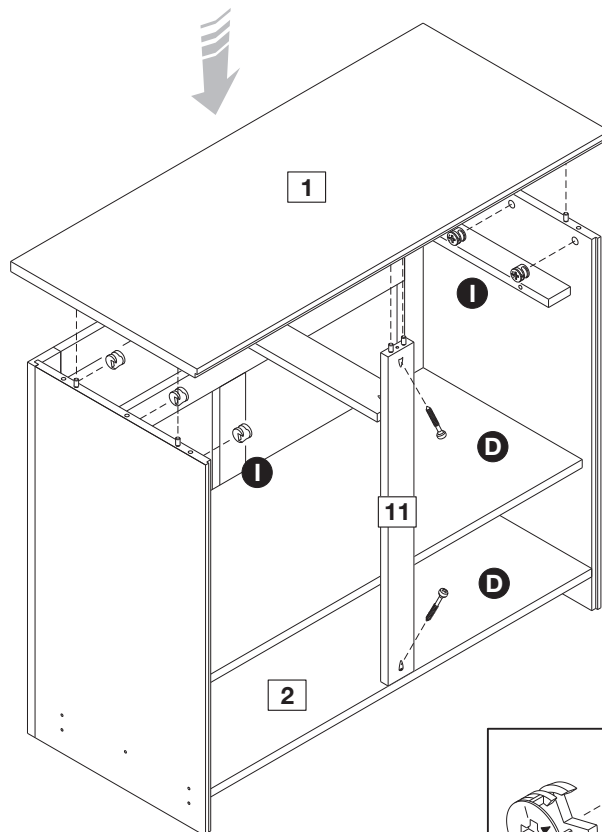
Insert 6 locking nuts **I** into side panels where shown.

Use a screwdriver to turn locking nuts **I** clockwise to lock.

Do not over tighten.

Attach back column **11** to base panel **2** and top panel **1** using screws **D**.

Attach top front frame **8** to top panel **1** using screw **D**.



Assembly Instructions

Step 13

! **Important:** With help, carefully lay down the product.

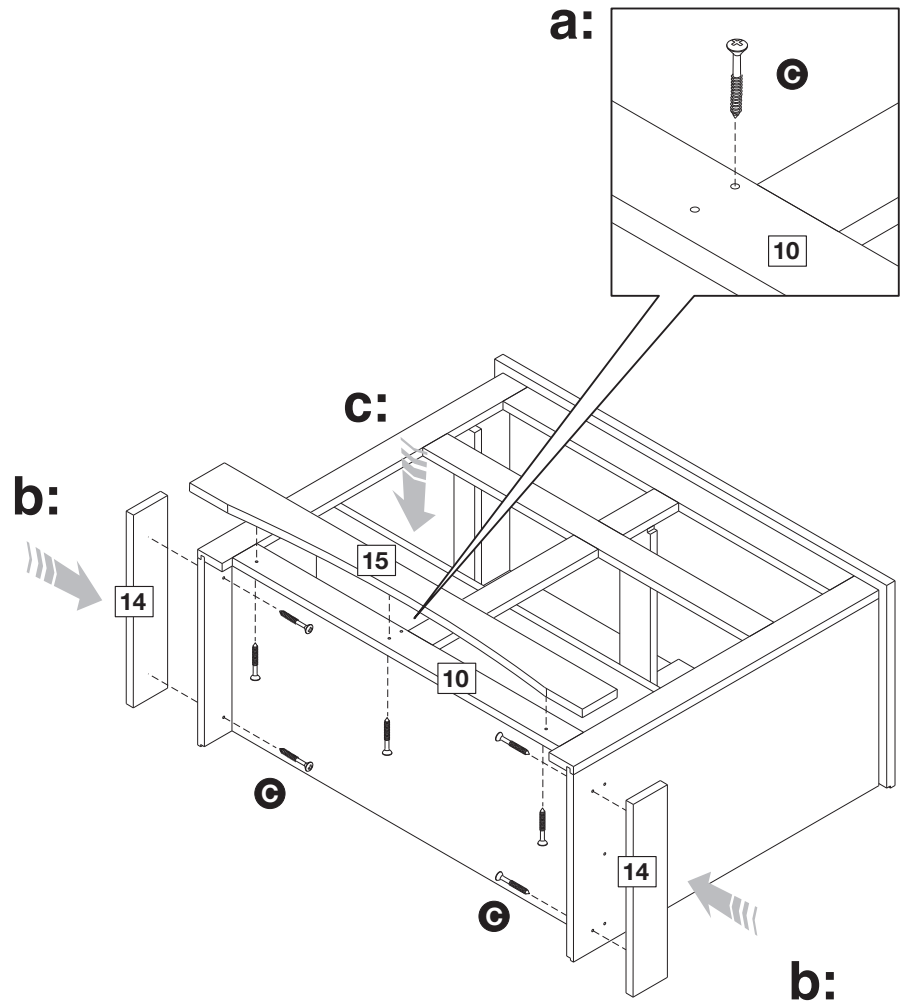
a: Fix bottom front frame **10** to the base panel **2** using screw **C**.

b: Fix side plinths **14** to the side panels using screws **C**.

! **Note:** Make sure side plinths are aligned to the bottom and front edges of the side panels.

c: Fix front plinth **15** to the bottom front frame **10** using screws **C**.

! **Note:** Make sure front plinth **15** is aligned to the bottom edge of the side panels and in line to the side plinths.



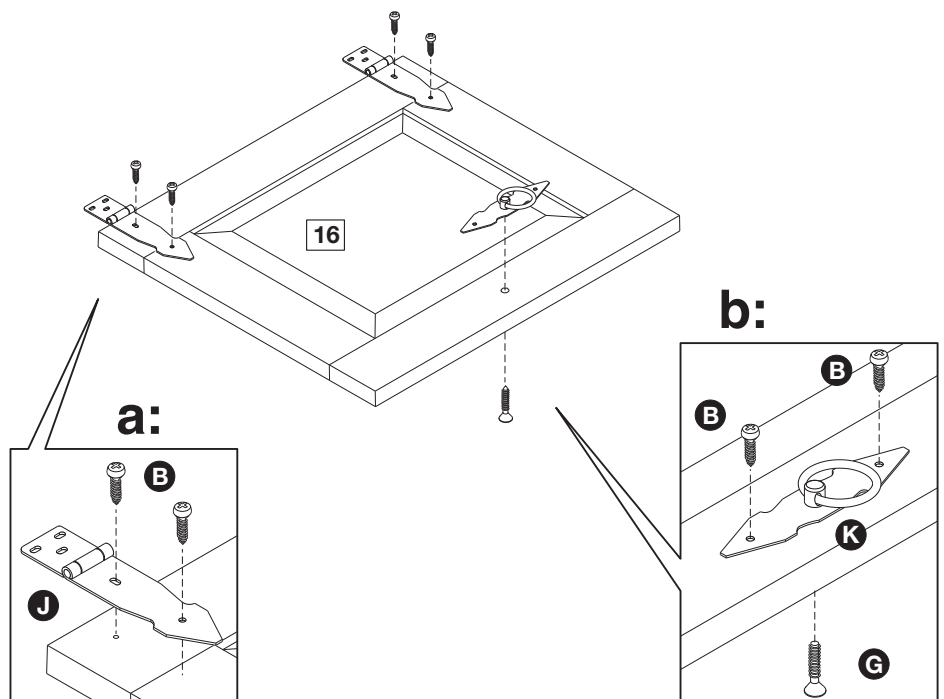
Step 14

Fitting hinges to doors.

a: Attach hinges **J** to the pre drilled holes in the door using screws **B**.

b: Attach handle **K** to the door using bolt **G**, then fix handle plate to the door using screws **B**. Make sure handle plate is aligned before fixing.

Repeat step 14 for the other door.



Assembly Instructions

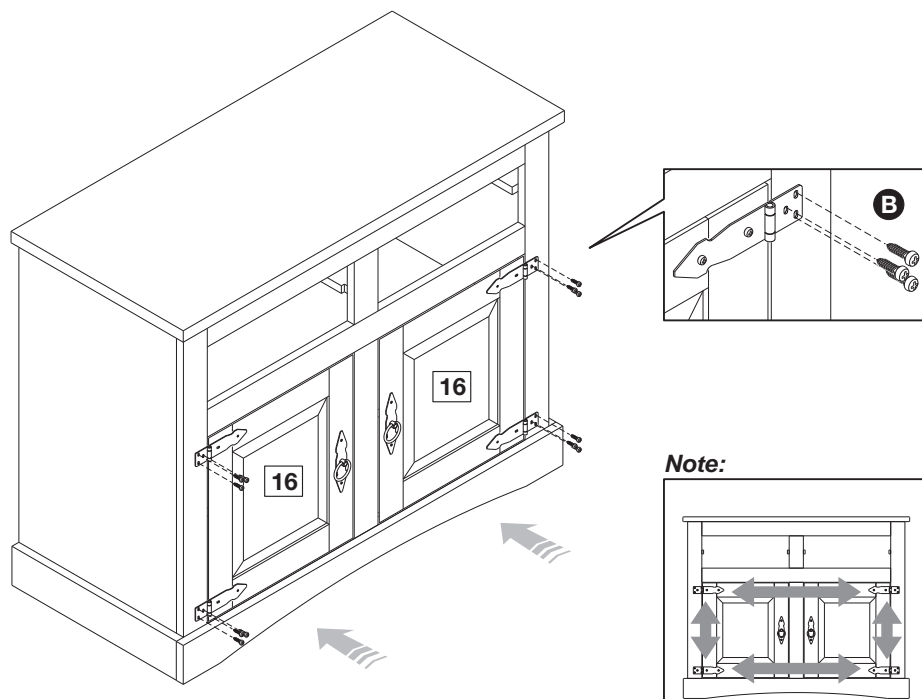
Step 15

Fixing door.

! **Important:** With help, carefully stand the product upright.

With help centralise the doors in the opening of the cabinet then fix the hinges using screws **B** as shown.

! **Note:** Hinges allow some adjustment after doors are fixed. Loosen screws and move doors to suit. Re-tighten screws.



Step 16

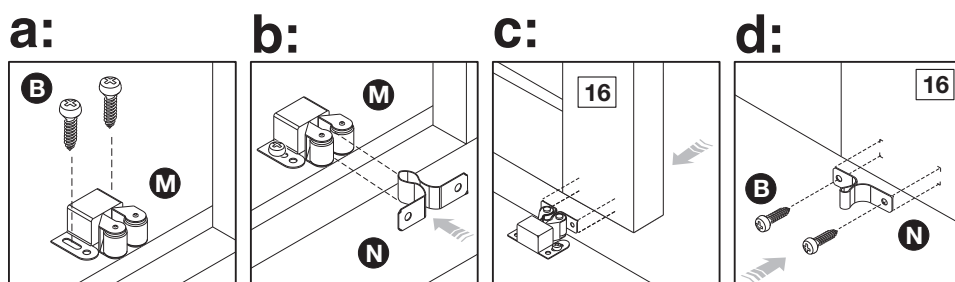
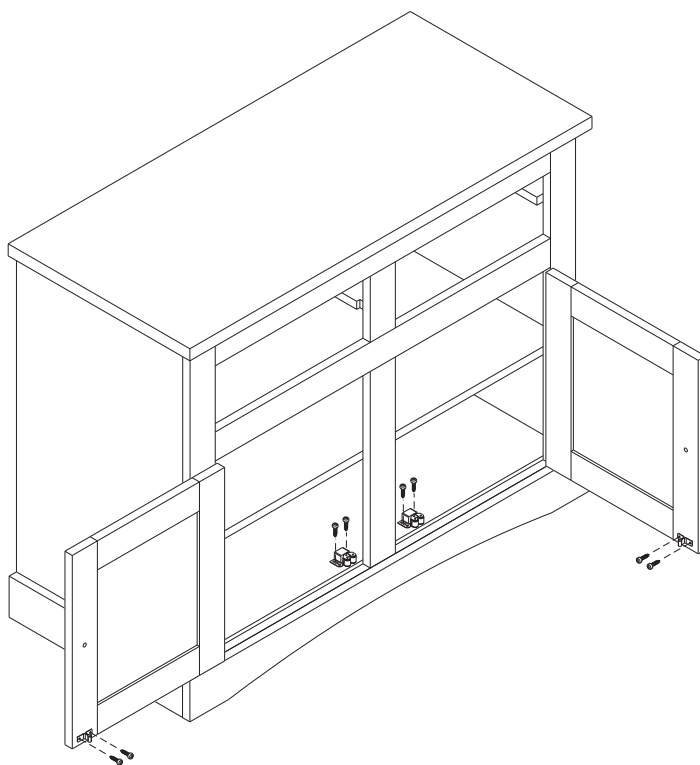
Fitting door locks.

a: Screw clips **M** in place using screws **B**. Ensure that the 2 small wheels are flush with the edge of the base.

b: Insert plugs **N** into clips **M**, ensuring they are leveled.

c: Push the door against the plug **N**. This will make 2 small marks on the door.

d: The doors can then be opened and plugs **N** can be screwed into place using the 2 marks made as a guide. This will ensure that the 2 parts of the door clips are lined up correctly.



Assembly Instructions

Step 17

Drawer assembly.

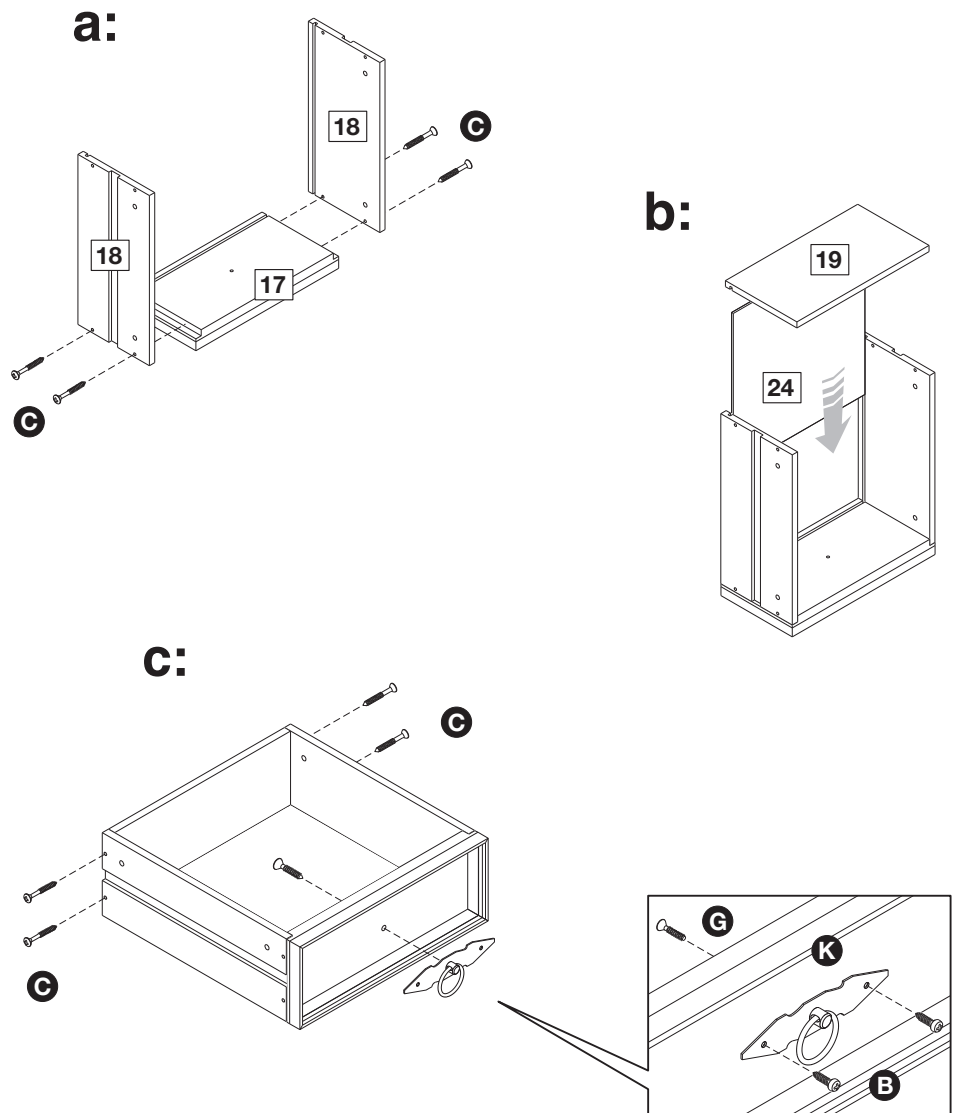
a: Attach drawer sides **18** to the drawer front **17** using screws **C**.

b: Slide drawer bottom into slots on drawer sides and position drawer back **19** in place.

c: Carefully lay down the drawer holding drawer back **19**, press the drawer sides and fix them using screws **C**.

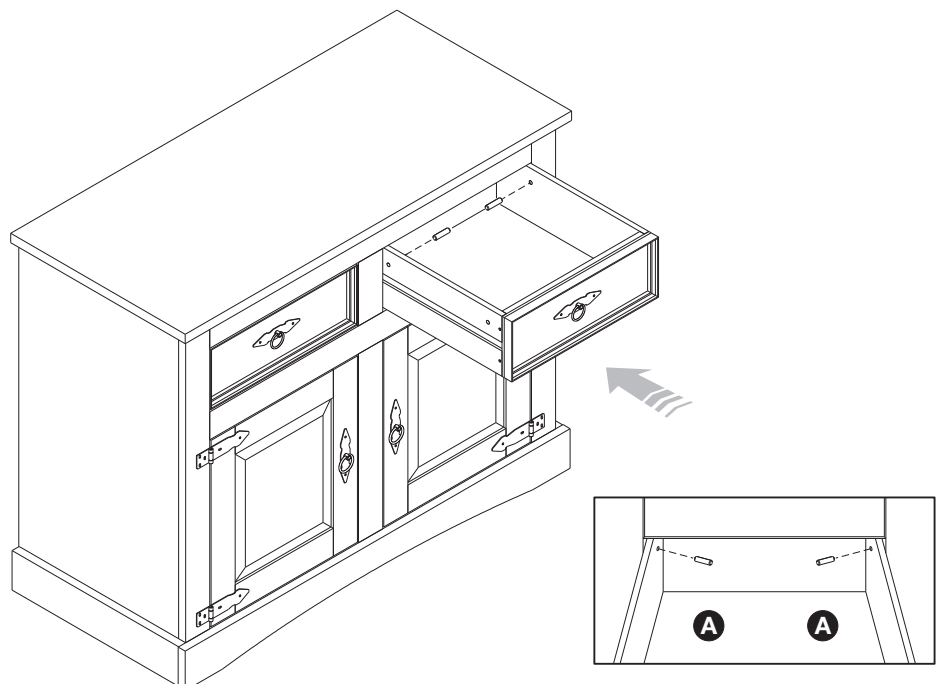
Attach handle **K** to the drawer using bolt **G**, then fix handle plate to the drawer using screws **B**. Make sure handle plate is aligned before fixing.

Repeat step 17 for the other drawer.



Step 18

Insert drawers into unit. With the back of the drawers past the front frames, use a hammer to tap dowels **A** in flush to drawer sides. This is a safety catch to stop drawer falling out.



Assembly Instructions

Step 19

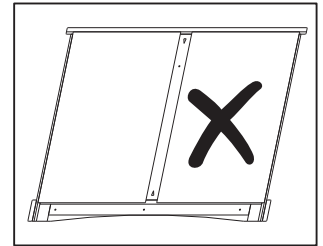
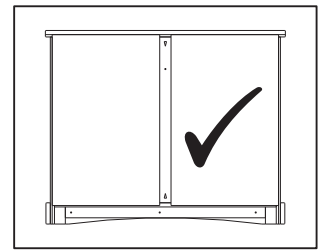
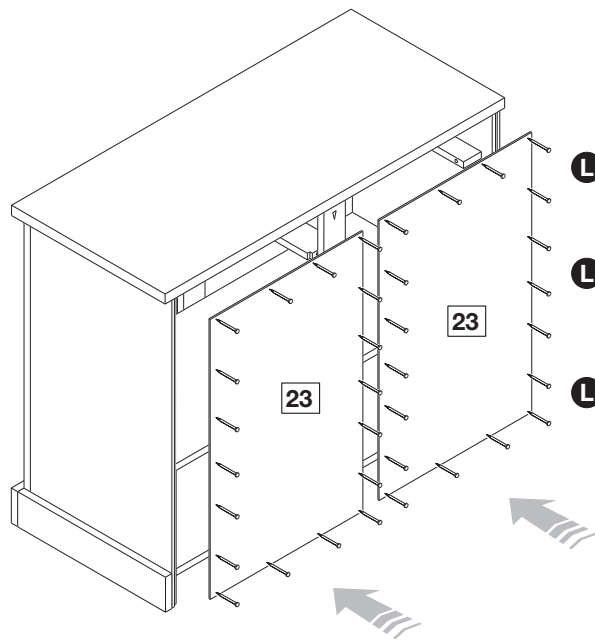
Fixing back panels.



Important:

Cabinet **MUST** be 'square' when back panels are attached.

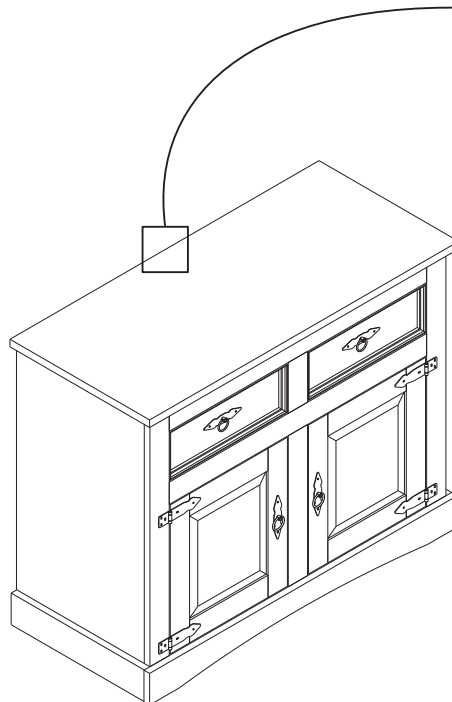
Attach the back panels **23** using nails **L**.



Step 20

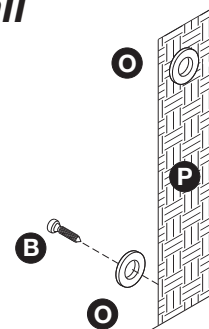
Fixing to wall.

Furniture must be fixed to a wall. Fix wall strap **P** to top of furniture using washer **O** and screw **B**. With help, move furniture into position.



Note: Wall plugs not supplied. The correct type of fixing must be used for your wall, seek professional advice if in doubt.

wall



Assembly is complete.

If you need help or have damaged or missing parts, call the **Argos Customer Helpline: 08456 400 800** or **Homebase Customer Helpline: 0845 077 8888**

A Guide to - Wall Mounting & Fixings

Important note:

If plastic wall plugs are supplied with your product:



- these are only suitable for use in masonry walls.

If you are in any doubt about the correct wall plugs for your wall, seek professional advice.


Failure of the product due to using incorrect fixings is the responsibility of the installer.



Important: When drilling into walls always check that there are no hidden wires or pipes etc.

Make sure that the screws and wall plugs being used are suitable for supporting your unit. Consult a qualified tradesperson if you are unsure.

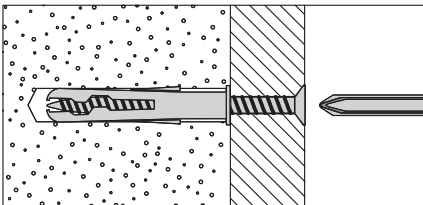
Hints:

- 1: General rule:**  Always use a larger screw and wall plug if you are not sure.
- 2:** Ensure you use the recommended drill bit to match the wall plug and hole size.
- 3:** Ensure you drill the hole horizontally, do not force the drill or enlarge the hole.
- 4:** Take extra care when drilling high walls, ceilings and ceramic tiles. Ensure wall plugs are inserted beyond the thickness of the ceramic tiles to avoid the tiles splitting or cracking.
- 5:** Ensure wall plugs are well fitted and are a tight fit in the drilled hole.

Types of walls

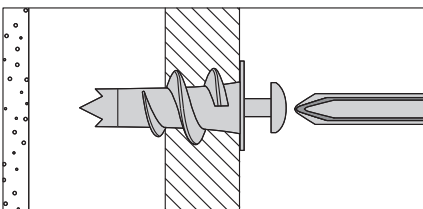
You can use one of the following types of wall plug if your walls are made of brick, breeze block, concrete, stone or wood.

No.1 "General Purpose" wall plug



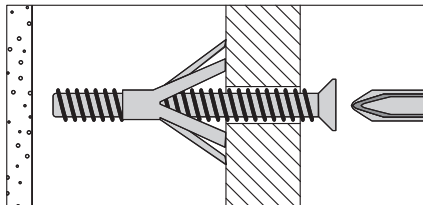
Generally aerated blocks should not be used to support heavy loads, use a specialist fitting in this case. For light loads, general purpose wall plugs can be used.

No.2 "Plasterboard" wall plug



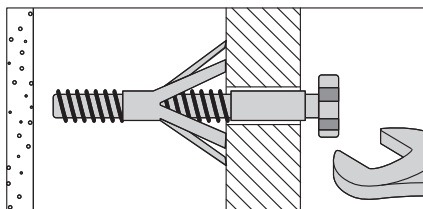
For use when attaching light loads on to plasterboard partitions.

No.3 "Cavity Fixing" wall plug



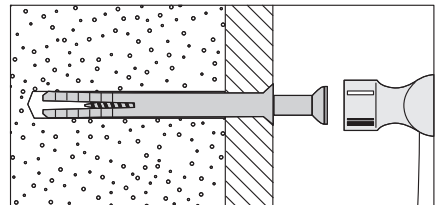
For use with plasterboard partitions or hollow wooden doors.

No.4 "Cavity Fixing-Heavy Duty" wall plug



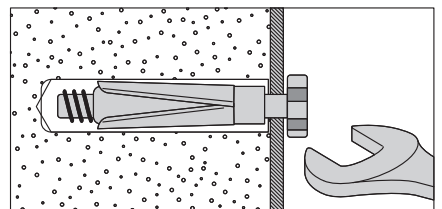
For use when fitting or supporting heavy loads such as shelving, wall cabinets and coat racks.

No.5 "Hammer Fixing" wall plug



For use with walls stuck with plasterboard. The hammer fixing allows it to be fixed to the wall rather than the plasterboard. Always check the fixing is secure to the retaining wall.

No.6 "Shield Anchor" wall plug Heavy loads



For use with heavier loads such as TV & HiFi speakers and satellite dishes etc.



Care & Maintenance

Safety: Always check the fitting and location to ensure your safety in and around the home.

Fitting: From time to time check the fitting to ensure the wall plugs or screws do not become loose.