

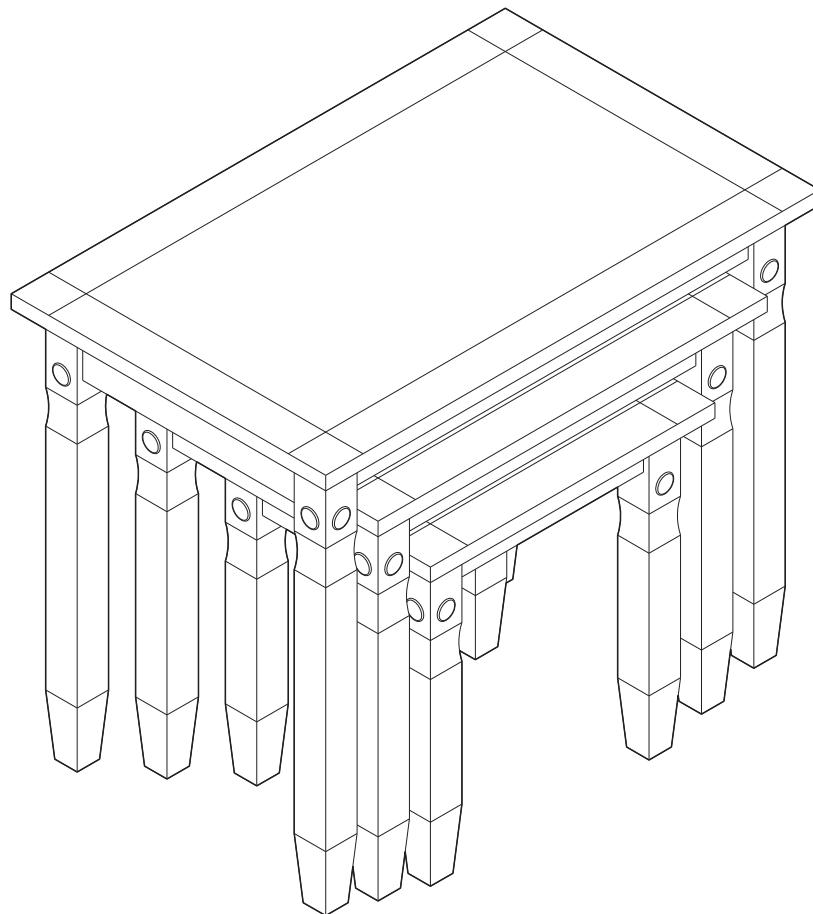
# Aruba - Nest Of Tables

**Assembly Instructions** - Please keep for future reference

614/3837

614/3851

111/6144



## Dimensions

Width - 66cm

Depth - 42cm

Height - 54cm

**Important – Please read these instructions fully before starting assembly**

If you need help or have damaged or missing parts, call the **Argos Customer Helpline: 08456 400 800**  
or **Homebase Customer Helpline: 0845 077 8888**



# Safety and Care Advice

**Important** – Please read these instructions fully before starting assembly

- Check you have all the components and tools listed on pages 2 and 3.
- Remove all fittings from the plastic bags and separate them into their groups.
- Keep children and animals away from the work area, small parts could choke if swallowed.
- Make sure you have enough space to layout the parts before starting.
- Do not stand or put weight on the product, this could cause damage.
- Assemble the item as close to its final position (in the same room) as possible.
- Assemble on a soft level surface to avoid damaging the unit or your floor.

- This product has been produced from natural timber; you may notice some variation in the grain and colour of different component parts which is normal for furniture produced using natural wood and is not the result of any manufacturing fault.
- The product has been treated with a wax and oil finish to prevent dirt ingress and preserve moisture.
- On unpacking the furniture you may notice an odour due to this treatment; this will disappear once the furniture is unpacked and assembled after a period of time.
- This process may leave some staining on the packaging material; please take care to ensure this does not transfer to clothing or carpeted surfaces during assembly.



as this could damage the unit. Only use hand screwdrivers.

- We do not recommend the use of power drill/drivers **for inserting screws**,

- Parts of the assembly will be easier with 2 people.
- Dispose of all packaging carefully and responsibly.

## Care and maintenance

- Use an appropriate furniture polish for natural wood furniture and a dry cloth to clean the product.
- Avoid placing the furniture in direct sunlight as this will cause the timber to prematurely age.

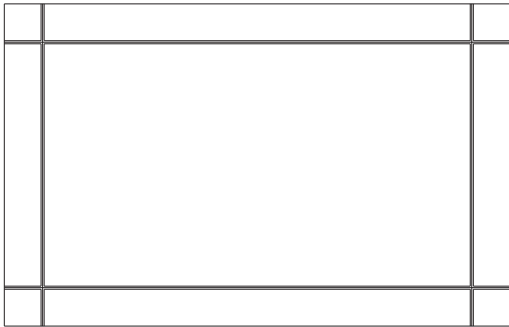
- From time to time check that there are no loose screws on this unit.

- This product should not be discarded with household waste. Take to your local authority waste disposal centre.

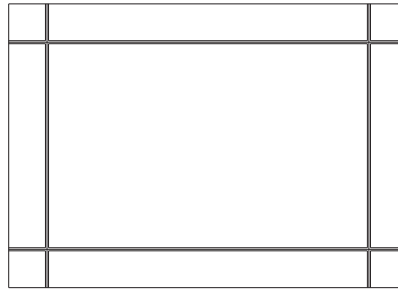
**Note:** If required the next page can be cut out and used as reference throughout the assembly. Keep this page with these instructions for future reference.

# Components - Panels

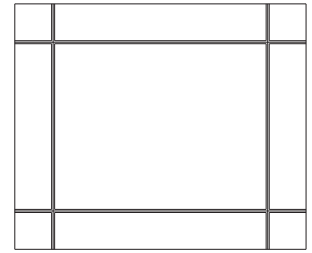
Please check you have all the panels listed below



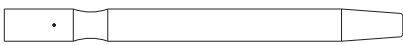
**1** Large top panel (66 x 42cm)



**2** Medium top panel (52 x 37cm)



**3** Small top panel (38 x 32cm)



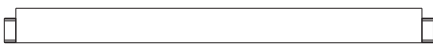
**4** Large legs x 4 (52 x 4cm)



**5** Medium legs x 4 (45 x 4cm)



**6** Small legs x 4 (38 x 4cm)



**7** Large front rail (56 x 4.5cm)



**8** Medium front rail (42 x 4.5cm)



**9** Small front rail (28 x 4.5cm)



**10** Large back rail (56 x 6.5cm)



**11** Medium back rail (42 x 6.5cm)



**12** Small back rail (28 x 6.5cm)



**13** Large side rail x 2 (32 x 6.5cm)



**14** Medium side rail x 2 (27 x 6.5cm)



**15** Small side rail x 2 (22 x 6.5cm)


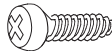
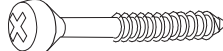
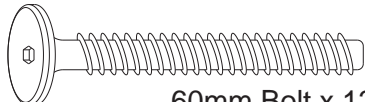
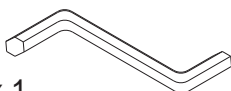

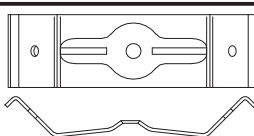


# Components - Fittings

If you have damaged or missing components, call the **Argos Customer Helpline: 08456 400 800** or **Homebase Customer Helpline: 0845 077 8888**

Please check you have all the fittings listed below

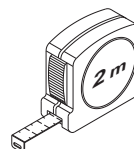
**Note:** The quantities below are the correct amount to complete the assembly. In some cases more fittings may be supplied than are required.

<p><b>A</b> </p> <p>Wooden dowel x 12</p>	<p><b>B</b> </p> <p>16mm Screw x 24</p>	<p><b>C</b> </p> <p>35mm Screw x 12</p>
<p><b>D</b> </p> <p>60mm Bolt x 12</p>	<p><b>E</b> </p> <p>Allen key x 1</p>	<p><b>F</b> </p> <p>Round metal stud x 24</p>
<p><b>G</b> </p> <p>Metal bracket x 12</p>		

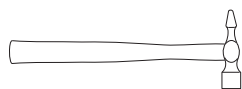
## Tools required



Phillips screwdriver (medium & large)



Ruler/tape measure



Small hammer



Eye protection (when using a hammer or glue)

**Ruler** - Use this ruler to help correctly identify the screws




# Assembly Instructions

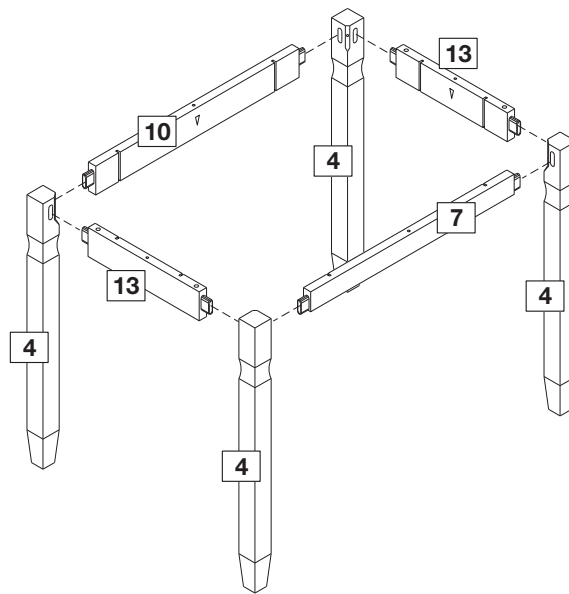
## Step 1

### Assembling large table.

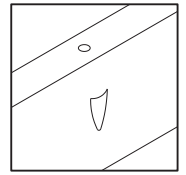
Two people are required for an easier assembly.

Insert rails **7**, **10** and **13** to the legs **4**.

 **Note:** Holes on rails must be facing up as shown in the diagram.



**Note:**




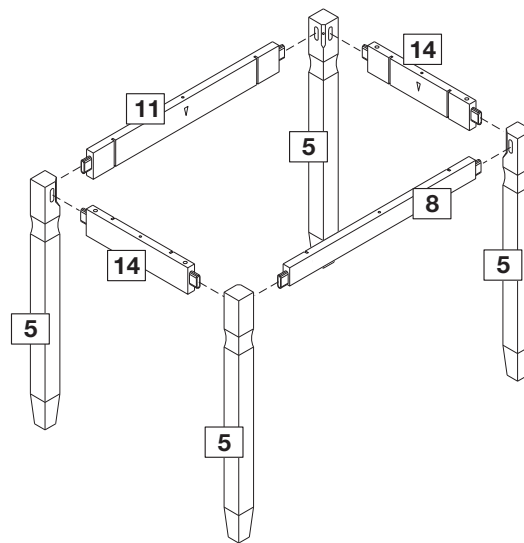
## Step 2

### Assembling medium table.

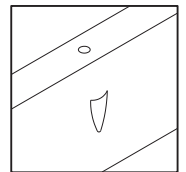
Two people are required for an easier assembly.

Insert rails **8**, and **14** to the legs **5**.

 **Note:** Holes on rails must be facing up as shown in the diagram.



**Note:**




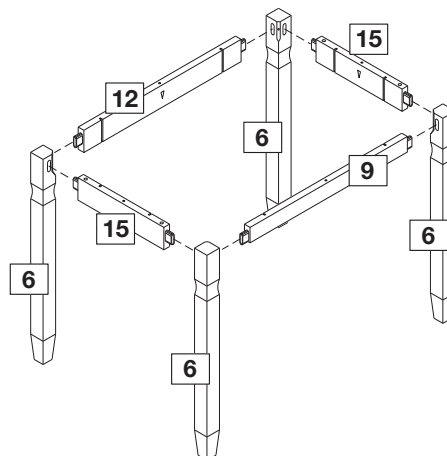
## Step 3

### Assembling small table.

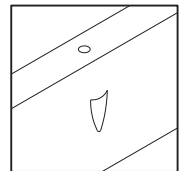
Two people are required for an easier assembly.

Insert rails **9**, **12** and **15** to the legs **6**.

 **Note:** Holes on rails must be facing up as shown in the diagram.



**Note:**



# Assembly Instructions

## Step 4

### Fixing Metal brackets.

Insert metal brackets **G** into the rails.

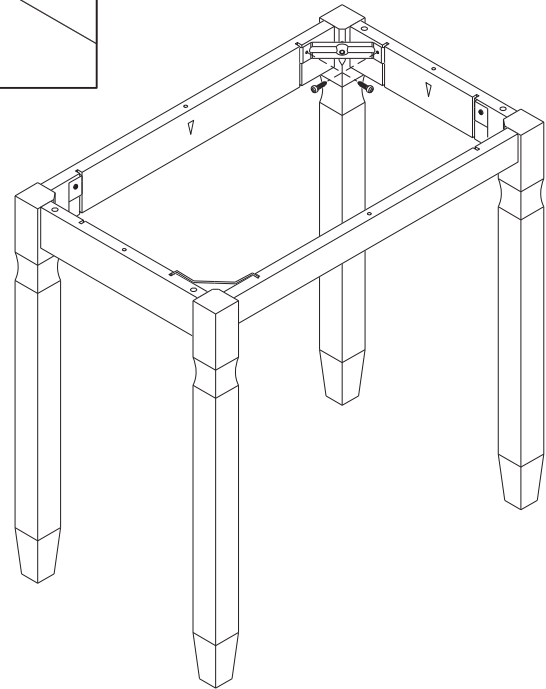
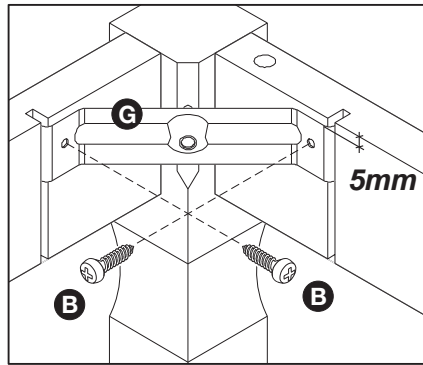
Fix metal brackets **G** to the rails using screws **B**, as shown.



#### **Important:**

Make sure brackets are placed 5mm below rails edge before fixing, as shown in the diagram.

Repeat step 4 for the **medium** and **small** tables.

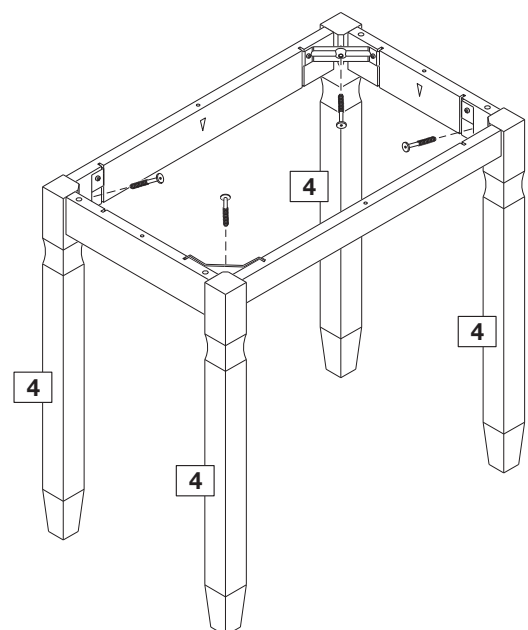
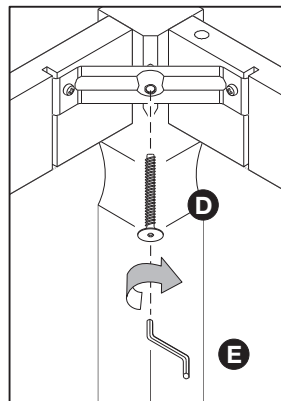


## Step 5

### Fixing legs.

Attach metal brackets through pre drilled holes on legs **4** using bolts **D** and allen key **E**, as shown.

Repeat step 5 for the **medium** and **small** tables.

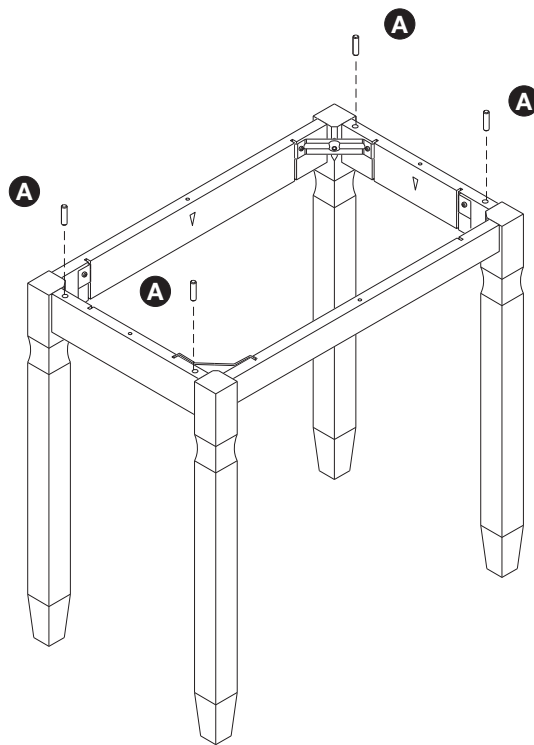


# Assembly Instructions

## Step 6

Insert dowels **A** into the rails as indicated.

Repeat step 6 for the other two tables.



## Step 7

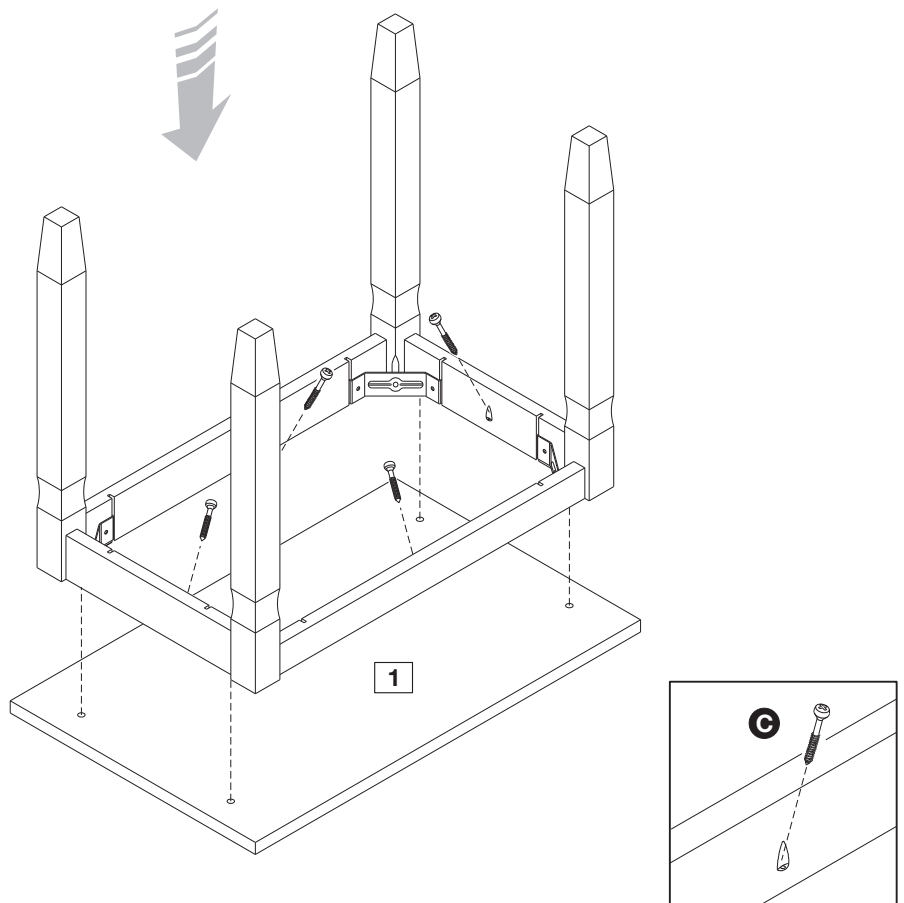
Fixing top panels.

 **Caution:** Carefully lay the top panels on a soft and clean surface to avoid damaging the product.

Attach assembled frame to the top panel **1** using screws **C**.

After fixing top panel, carefully stand product upright.

Repeat step 7 for the top panels **2** and **3** in **medium** and **small** tables.

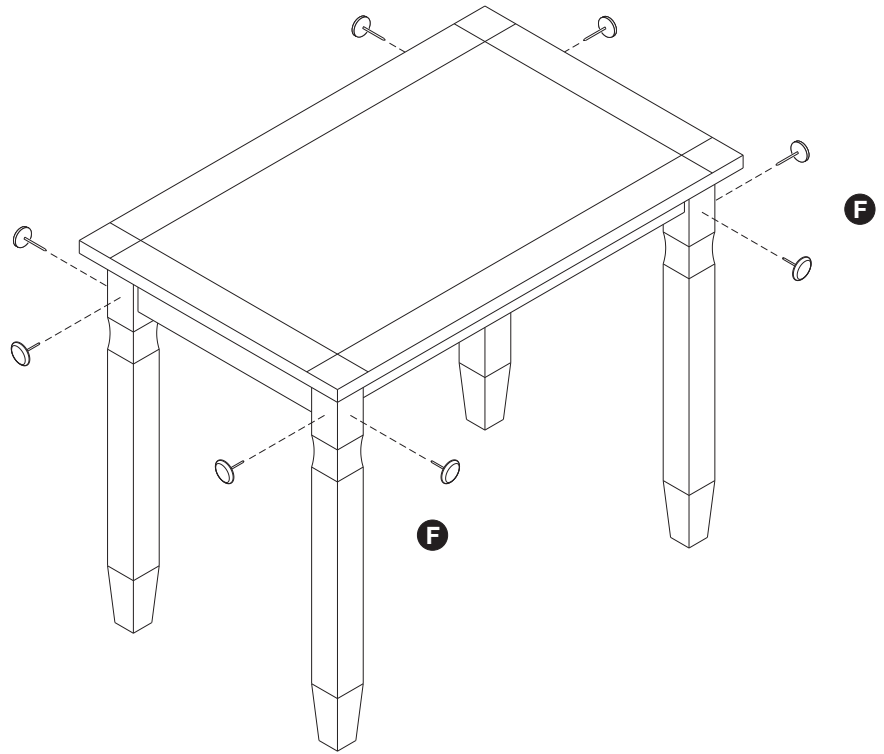
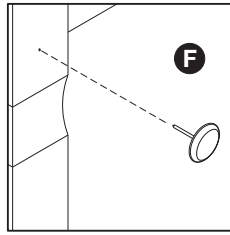


# Assembly Instructions

## Step 8


Fix round metal studs **F** into the pre drilled holes in legs, as shown.

Repeat step 8 for the other two tables.

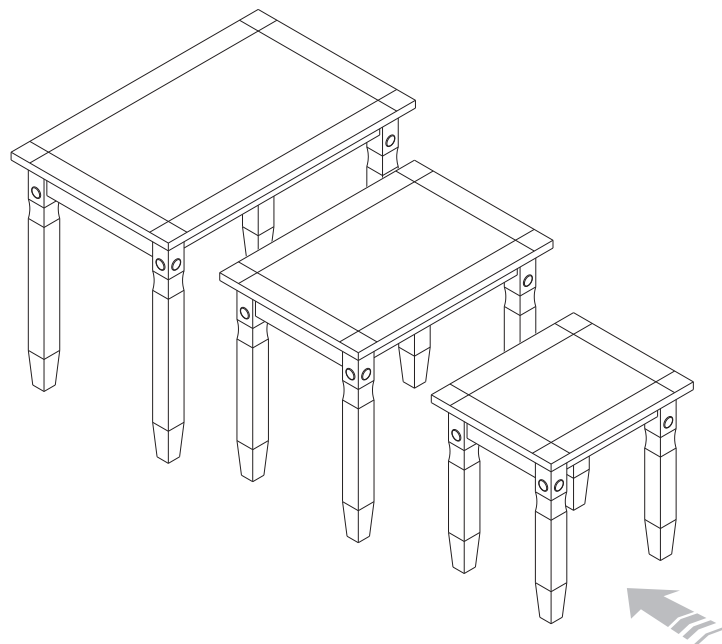


## Step 9

Insert medium table underneath large table and small table underneath medium one.

 **Note:** Tables go in only through one side. You may need to rotate tables to insert the smaller one.

**Assembly is complete.**



If you need help or have damaged or missing parts, call the **Argos Customer Helpline: 08456 400 800** or **Homebase Customer Helpline: 0845 077 8888**