

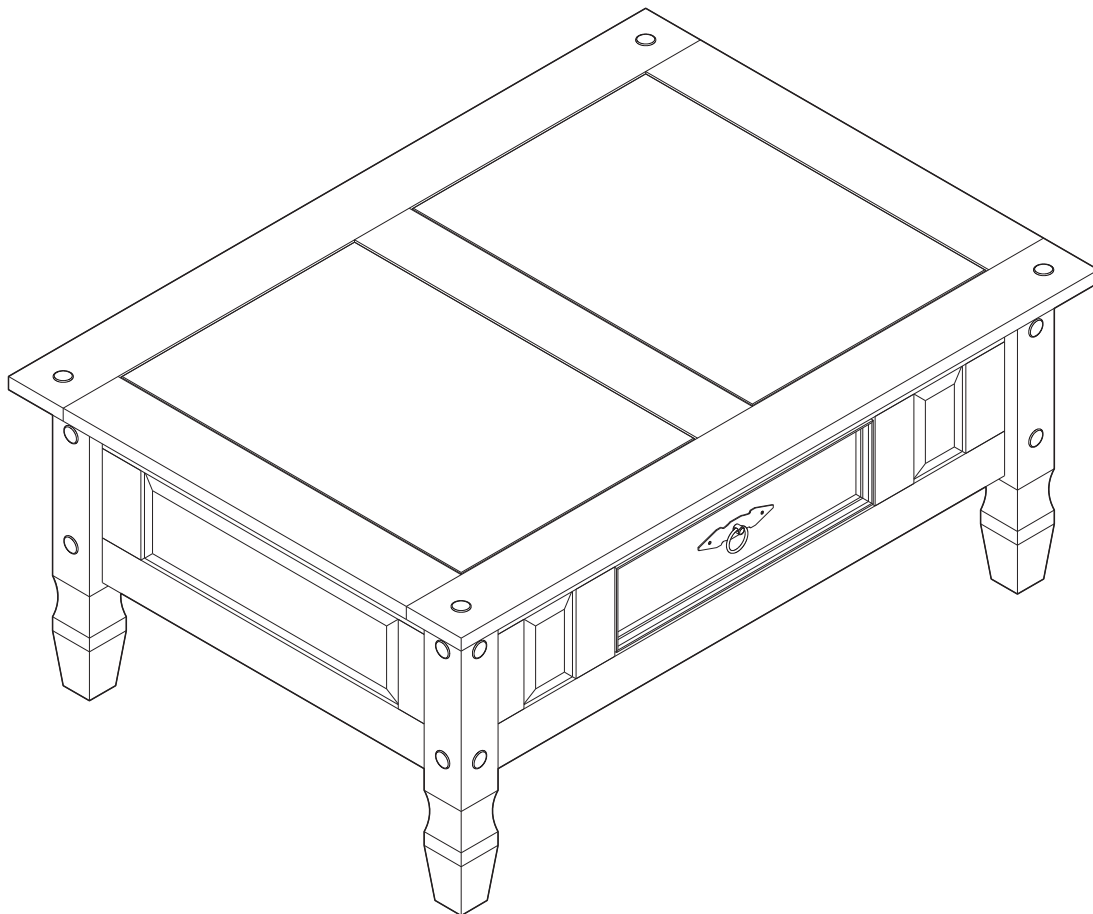
# Aruba - Coffee Table

**Assembly Instructions** - Please keep for future reference

614/3813

614/3820

116/9634



## Dimensions

Width - 107cm

Depth - 76cm

Height - 45cm

**Important – Please read these instructions fully before starting assembly**

If you need help or have damaged or missing parts, call the **Argos Customer Helpline: 08456 400 800**  
or **Homebase Customer Helpline: 0845 077 8888**



# Safety and Care Advice

**Important** – Please read these instructions fully before starting assembly

- Check you have all the components and tools listed on pages 2 and 3.
- Remove all fittings from the plastic bags and separate them into their groups.
- Keep children and animals away from the work area, small parts could choke if swallowed.
- Make sure you have enough space to layout the parts before starting.
- Do not stand or put weight on the product, this could cause damage.
- Assemble the item as close to its final position (in the same room) as possible.
- Assemble on a soft level surface to avoid damaging the unit or your floor.

• This product has been produced from natural timber; you may notice some variation in the grain and colour of different component parts which is normal for furniture produced using natural wood and is not the result of any manufacturing fault.

• The product has been treated with a wax and oil finish to prevent dirt ingress and preserve moisture.

• On unpacking the furniture you may notice an odour due to this treatment; this will disappear once the furniture is unpacked and assembled after a period of time.

• This process may leave some staining on the packaging material; please take care to ensure this does not transfer to clothing or carpeted surfaces during assembly.



as this could damage the unit. Only use hand screwdrivers.

• We do not recommend the use of power drill/drivers **for inserting screws**,

• Parts of the assembly will be easier with 2 people.

• Dispose of all packaging carefully and responsibly.

## Care and maintenance

- Use an appropriate furniture polish for natural wood furniture and a dry cloth to clean the product.
- Avoid placing the furniture in direct sunlight as this will cause the timber to prematurely age.

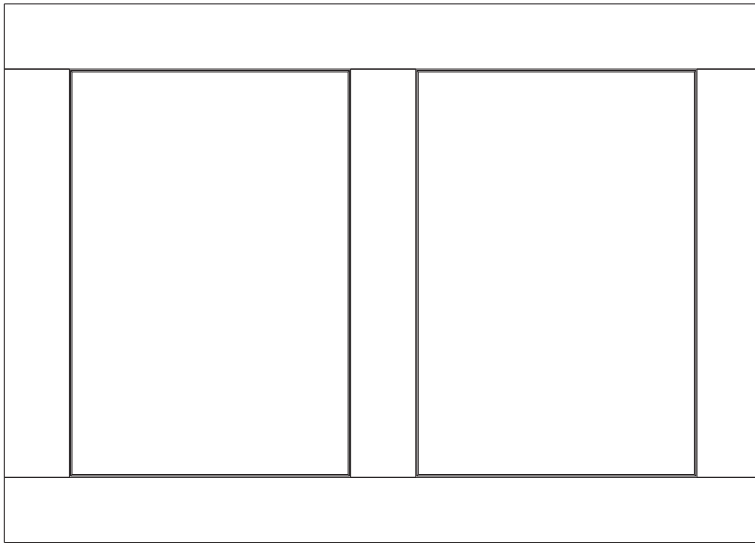
• From time to time check that there are no loose screws on this unit.

• This product should not be discarded with household waste. Take to your local authority waste disposal centre.

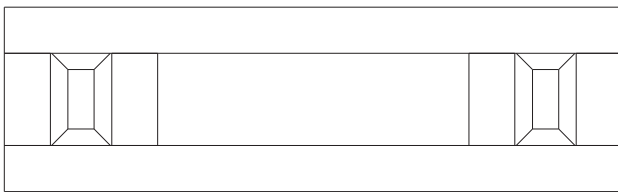
**Note:** If required the next page can be cut out and used as reference throughout the assembly. Keep this page with these instructions for future reference.

# Components - Panels

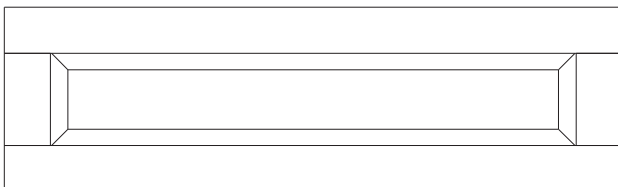
Please check you have all the panels listed below



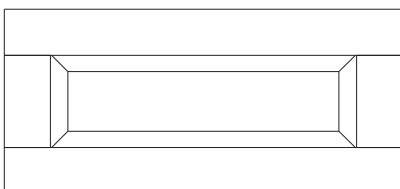
**1** Top panel (107 x 76cm)



**2** Front panel (87.2 x 26cm)



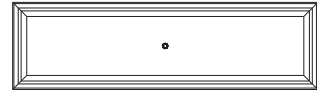
**3** Back panel (87.2 x 26cm)



**4** Side panel x 2  
(56.2 x 26cm)



**5** Leg x 4 (43 x 6cm)



**6** Drawer front  
(43 x 12.2cm)



**7** Drawer sides x 2  
(29 x 12.2cm)



**8** Drawer back  
(40.7 x 12.2cm)



**9** Rail (60.4 x 6.5cm)



**10** Drawer runner x 2  
(60.4 x 6.9cm)



**11** Drawer bottom  
(41.7 x 27.7cm)



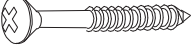
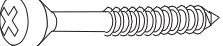
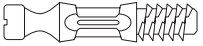


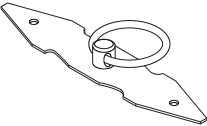



# Components - Fittings

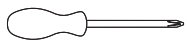
If you have damaged or missing components, call the **Argos Customer Helpline: 08456 400 800** or **Homebase Customer Helpline: 0845 077 8888**

Please check you have all the fittings listed below

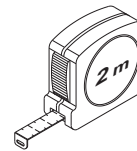
**Note:** The quantities below are the correct amount to complete the assembly. In some cases more fittings may be supplied than are required.

<p><b>A</b> </p> <p>Wooden dowel x 34</p>	<p><b>B</b> </p> <p>14mm Screw x 2</p>	<p><b>C</b> </p> <p>30mm Screw x 8</p>
<p><b>D</b> </p> <p>35mm Screw x 13</p>	<p><b>E</b> </p> <p>Metal dowel x 16</p>	<p><b>F</b> </p> <p>Locking nut x 16</p>
<p><b>G</b> </p> <p>19mm Bolt x 1</p>	<p><b>H</b> </p> <p>Drawer handle x 1</p>	<p><b>I</b> </p> <p>Round metal stud x 20</p>

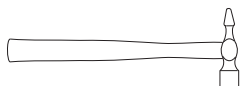
## Tools required



Phillips screwdriver  
(medium & large)



Ruler/tape  
measure



Small  
hammer



Eye protection  
(when using a  
hammer or glue)

**Ruler** - Use this ruler to help correctly identify the screws



# Assembly Instructions

## Step 1

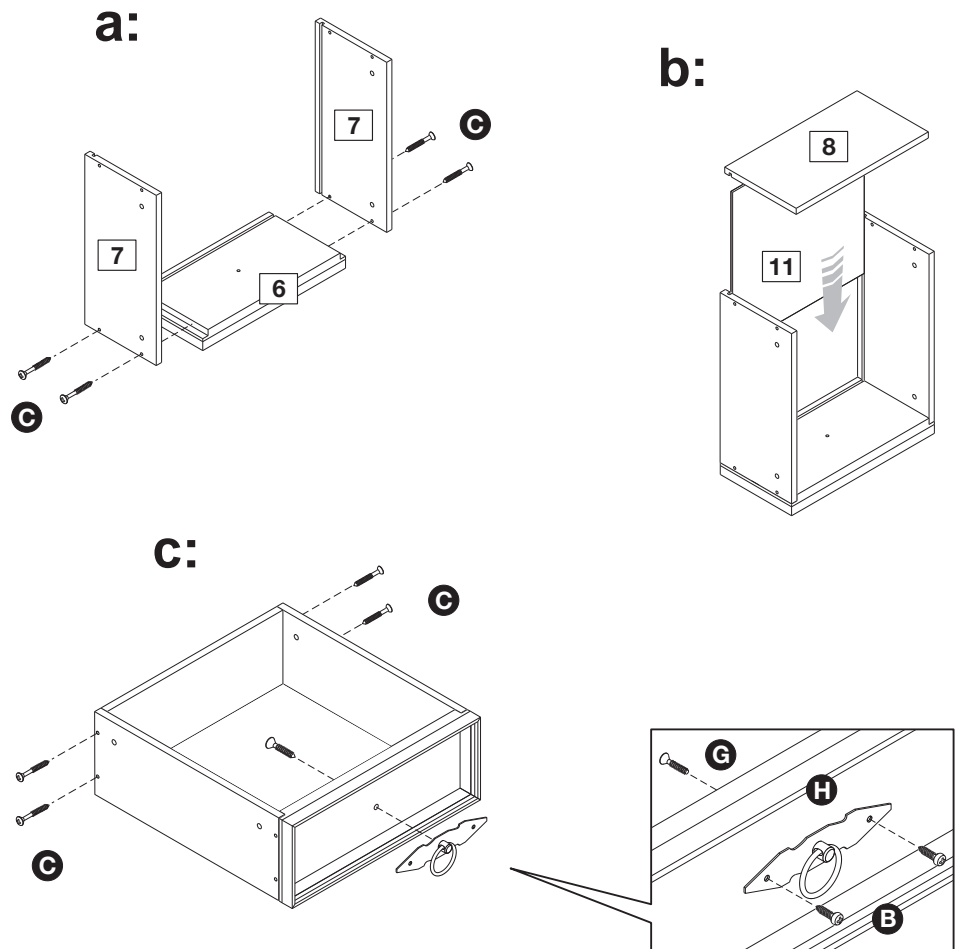
### Drawer assembly.

**a:** Attach drawer sides **7** to the drawer front **6** using screws **C**.

**b:** Slide drawer bottom into slots on drawer sides and position drawer back **8** in place.

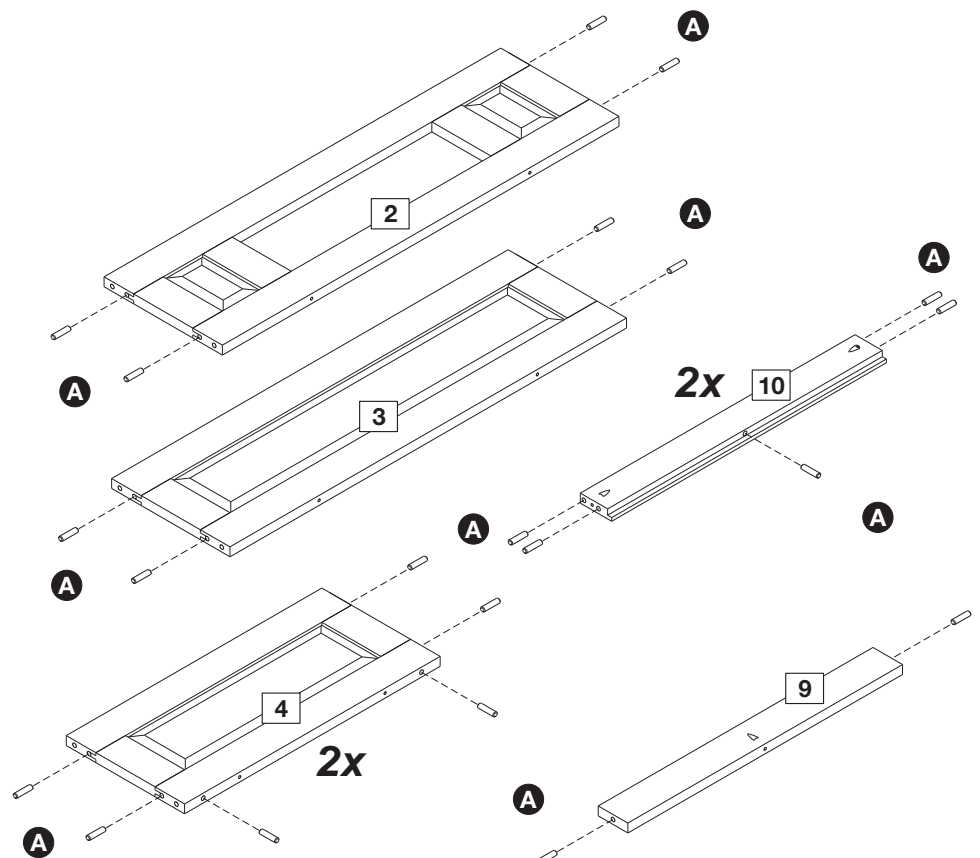
**c:** Carefully lay down the drawer holding drawer back **8**, press the drawer sides and fix them using screws **C**.

Attach handle **H** to the drawer using bolt **G**, then fix handle plate to the drawer using screws **B**. Make sure handle plate is aligned before fixing.



## Step 2

Insert dowels **A** into the indicated parts.



# Assembly Instructions

## Step 3

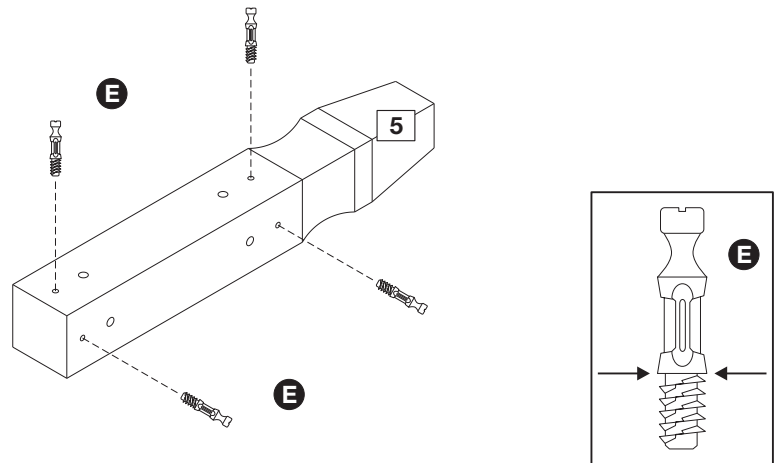
### Fitting Metal dowels.

Screw metal dowels **E** into legs **5**.



**Note:** Insert metal dowels as far as shown.

**Do not over tighten.**



## Step 4

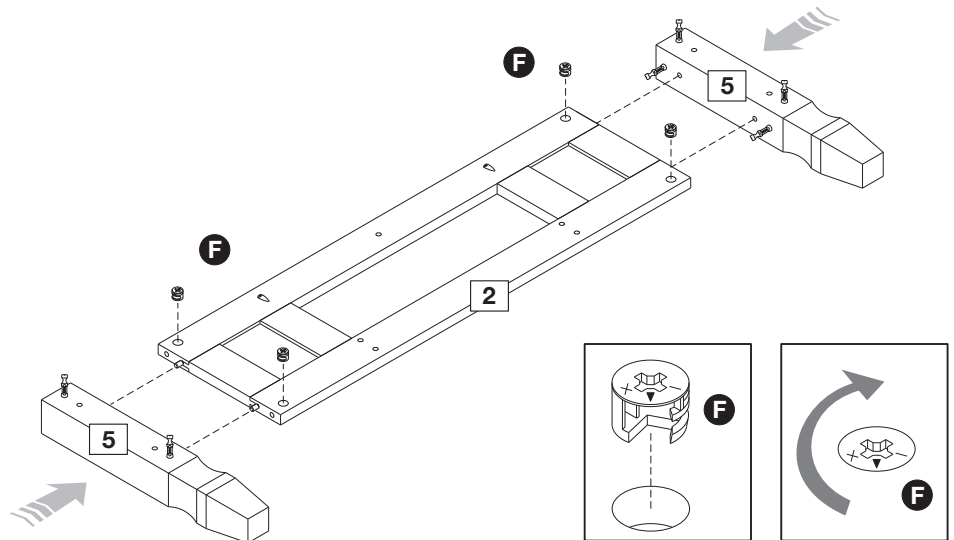
### Fixing front panel.

With help, fit front panel **2** to legs **5**.  
Make sure panel is positioned as shown.

Insert 4 locking nuts **F** into front panel **2** where shown.

Use a screwdriver to turn locking nuts **F** clockwise to lock.

**Do not over tighten.**



## Step 5

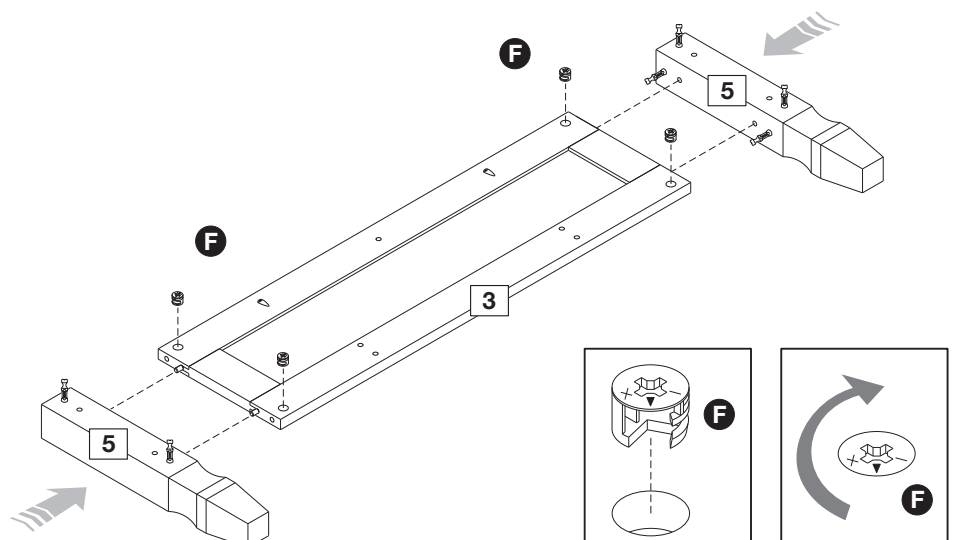
### Fixing back panel.

With help, fit back panel **3** to legs **5**.  
Make sure panel is positioned as shown.

Insert 4 locking nuts **F** into back panel **2** where shown.

Use a screwdriver to turn locking nuts **F** clockwise to lock.

**Do not over tighten.**



# Assembly Instructions

## Step 6

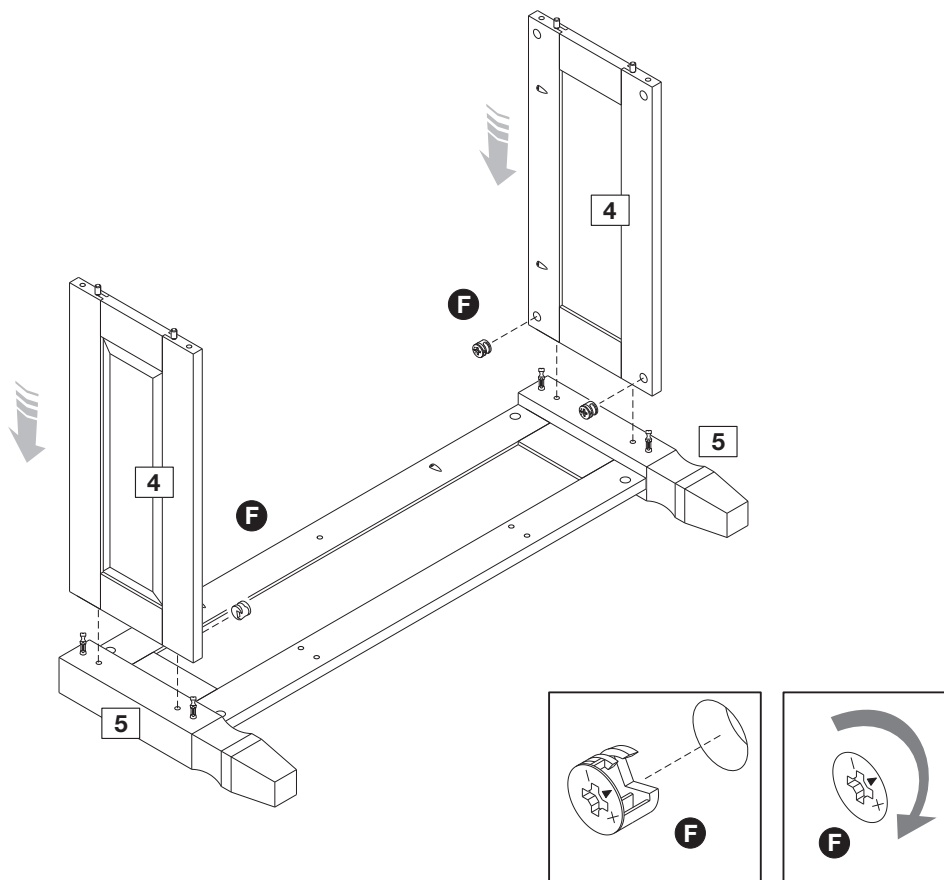
### Fixing side panels.

With help, fit side panels **4** to legs **5**.  
Make sure panel is positioned as shown.

Insert 4 locking nuts **F** into side panels **4** where shown.

Use a screwdriver to turn locking nuts **F** clockwise to lock.


**Do not over tighten.**

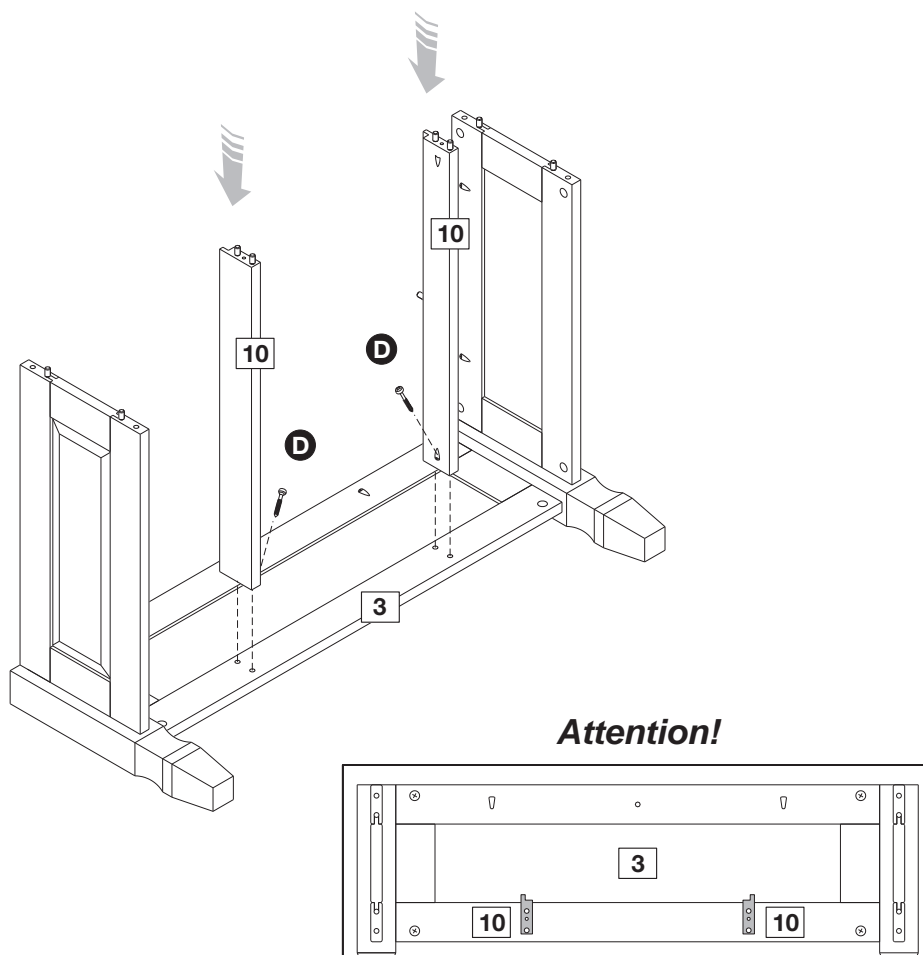


## Step 7

### Fixing drawer runners.

With help, fit drawer runners **10** to back panel **3** then fix it using screw **D**.

 **Attention:** Make sure drawer runners are positioned correctly as shown in the diagram.



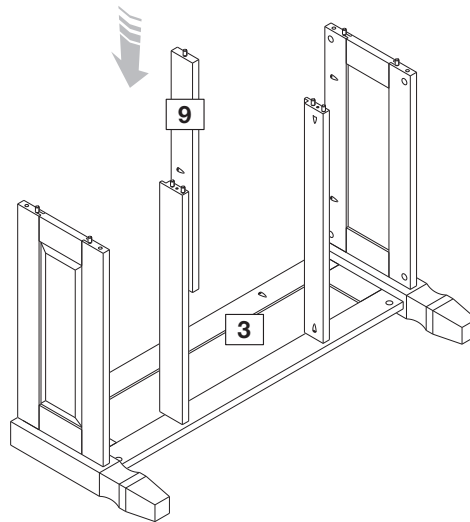
# Assembly Instructions

## Step 8

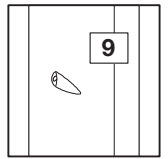
Insert rail **9** into the back panel **3**.



**Note!**  
The hole on the rail must be up.



**Note!**



## Step 9

### Fixing front frame.

Two people are required for an easier assembly.

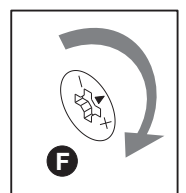
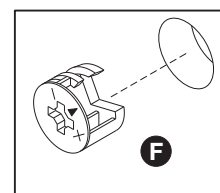
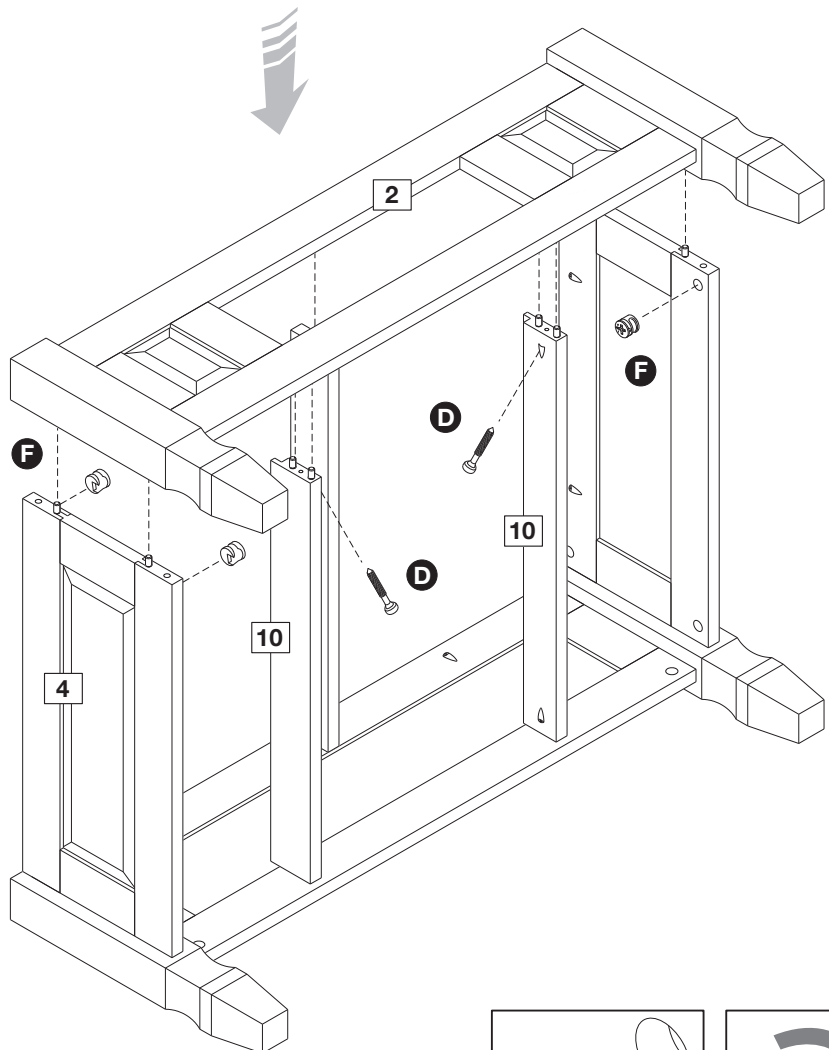
With help, place front frame properly ensuring dowels are all fit into their holes at the same time.

Insert 4 locking nuts **F** into side panels **4** where shown.

Use a screwdriver to turn locking nuts **F** clockwise to lock.

**Do not over tighten.**

Fix drawer runners **10** to the front frame **2** using screws **D**.





# Assembly Instructions

## Step 10

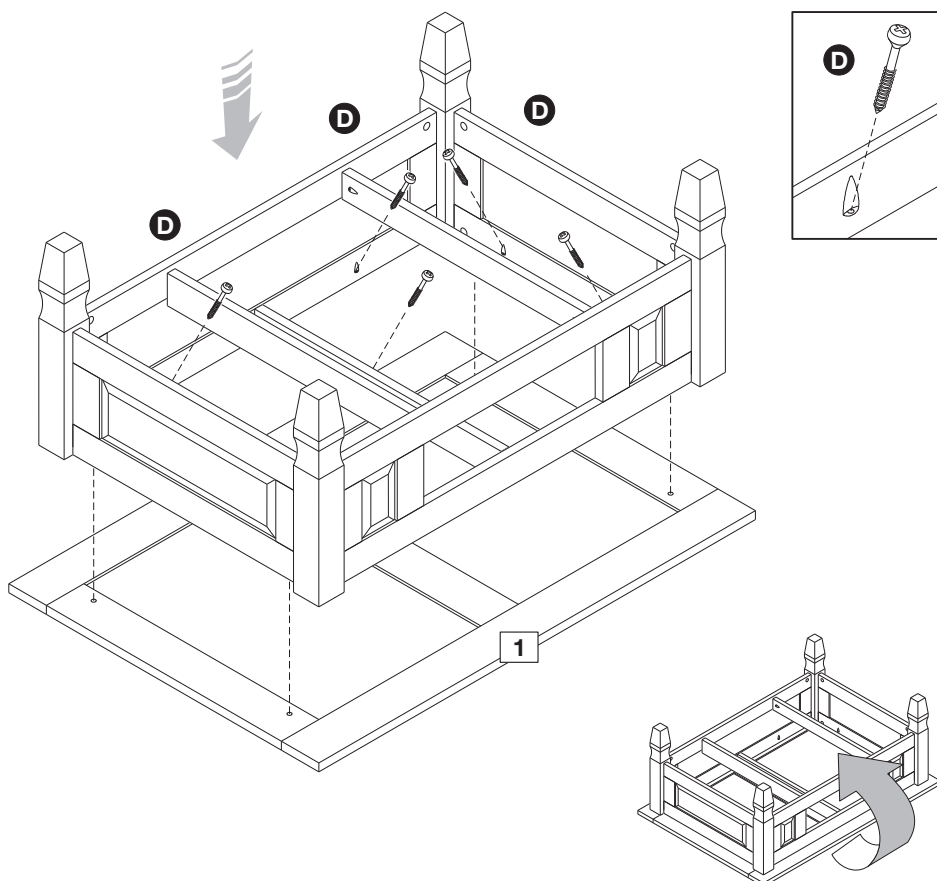
### Fixing top panel.

Two people are required for an easier assembly.

**Caution:** Carefully lay the top panel **1** on a soft and clean surface to avoid damaging the product.

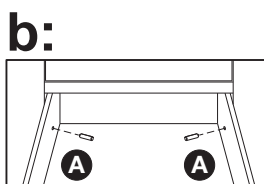
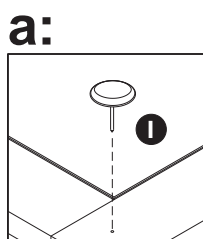
Attach assembled frame to the top panel **1** using screws **D**.

**Important:** With help, after fixing top panel, carefully stand the product upright.

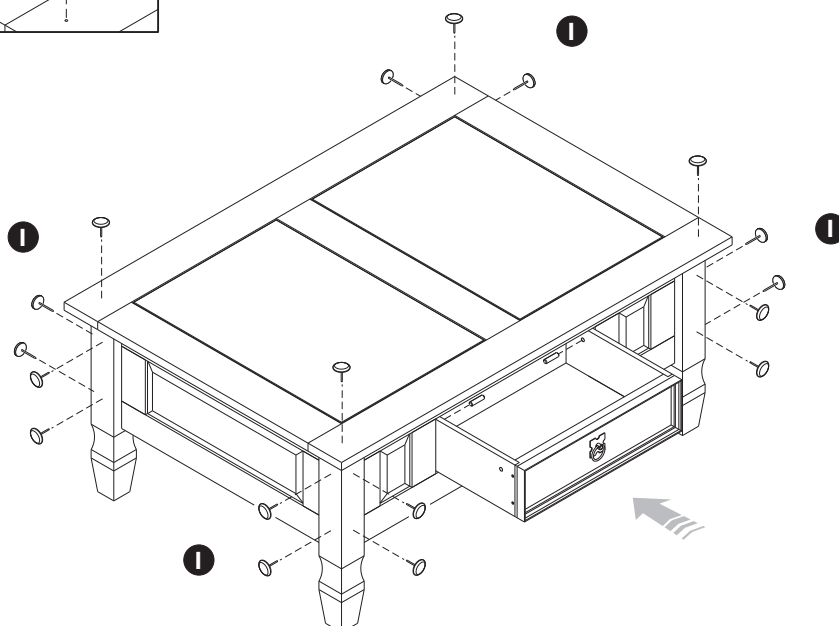


## Step 11

**a:** Fix round metal studs **I** into the pre drilled holes in legs **5** and top panel **1**.



**b:** Insert drawer into unit. With the back of the drawer past the front frame, use a hammer to tap dowels **A** in flush to drawer sides, this is a safety catch to stop drawer falling out.



Assembly is complete.

If you need help or have damaged or missing parts, call the **Argos Customer Helpline: 08456 400 800** or **Homebase Customer Helpline: 0845 077 8888**