

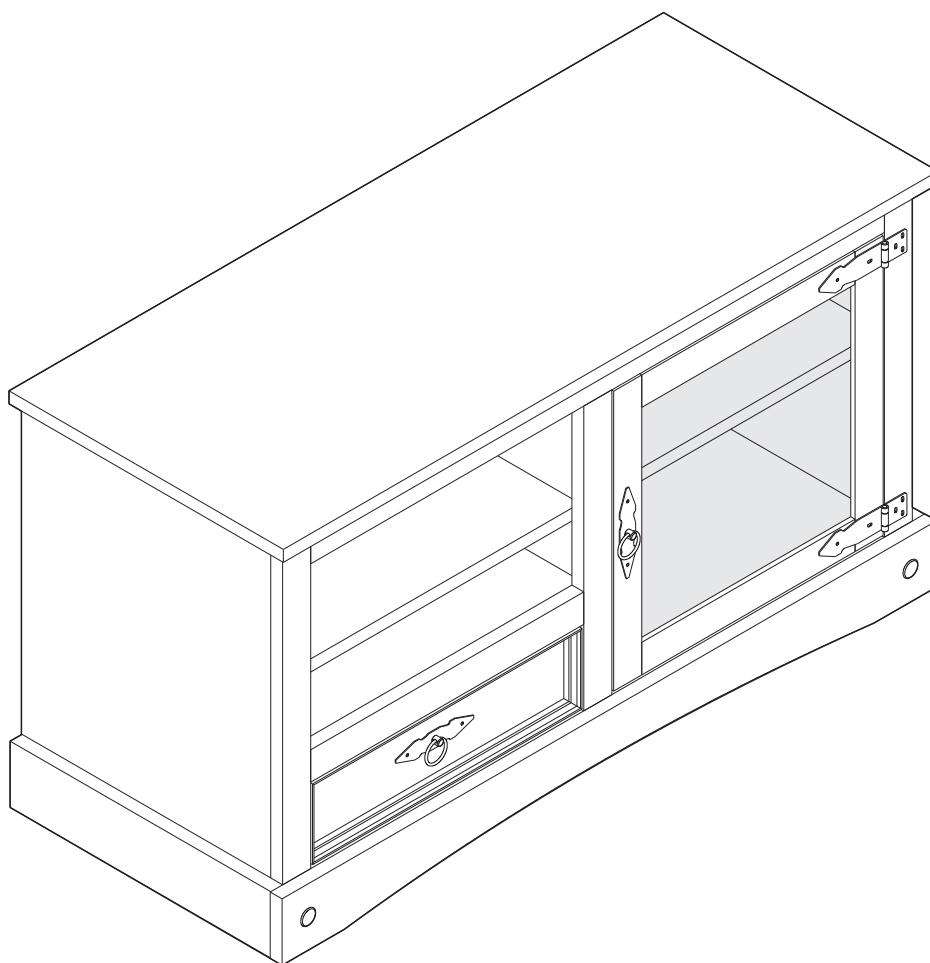
Aruba - TV Unit

Assembly Instructions - Please keep for future reference

614/3796

614/3806

109/0624



Dimensions

Width - 105cm

Depth - 44cm

Height - 58cm

Important – Please read these instructions fully before starting assembly

If you need help or have damaged or missing parts, call the **Argos Customer Helpline: 08456 400 800** or **Homebase Customer Helpline: 0845 077 8888**



Safety and Care Advice

Important – Please read these instructions fully before starting assembly

- Check you have all the components and tools listed on pages 2 and 3.
- Remove all fittings from the plastic bags and separate them into their groups.
- Keep children and animals away from the work area, small parts could choke if swallowed.
- Make sure you have enough space to layout the parts before starting.
- Do not stand or put weight on the product, this could cause damage.
- Assemble the item as close to its final position (in the same room) as possible.
- Assemble on a soft level surface to avoid damaging the unit or your floor.

- This product has been produced from natural timber; you may notice some variation in the grain and colour of different component parts which is normal for furniture produced using natural wood and is not the result of any manufacturing fault.

- The product has been treated with a wax and oil finish to prevent dirt ingress and preserve moisture.

- On unpacking the furniture you may notice an odour due to this treatment; this will disappear once the furniture is unpacked and assembled after a period of time.

- This process may leave some staining on the packaging material; please take care to ensure this does not transfer to clothing or carpeted surfaces during assembly.



- We do not recommend the use of power drill/drivers **for inserting screws**,

as this could damage the unit. Only use hand screwdrivers.

- Parts of the assembly will be easier with 2 people.

- Dispose of all packaging carefully and responsibly.

Care and maintenance

- Use an appropriate furniture polish for natural wood furniture and a dry cloth to clean the product.
- Avoid placing the furniture in direct sunlight as this will cause the timber to prematurely age.

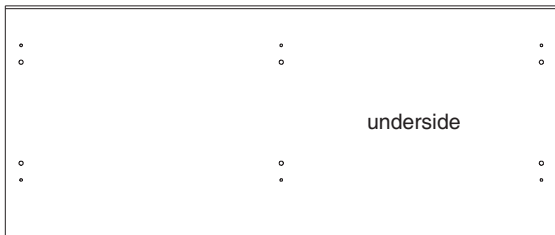
- From time to time check that there are no loose screws on this unit.

- This product should not be discarded with household waste. Take to your local authority waste disposal centre.

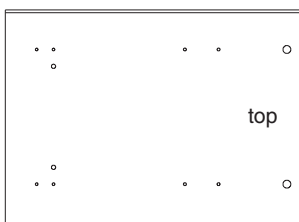
Note: If required the next page can be cut out and used as reference throughout the assembly. Keep this page with these instructions for future reference.

Components - Panels

Please check you have all the panels listed below



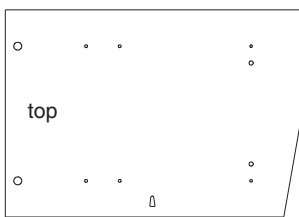
1 Top panel (105 x 44cm)



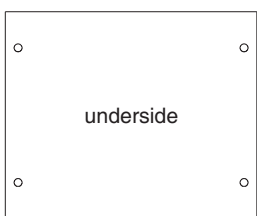
2 Right side panel (56 x 41cm)



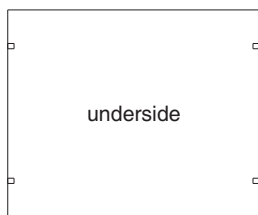
3 Left side panel (56 x 41cm)



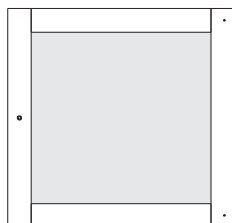
4 Middle wall panel (56 x 39.4cm)



5 Base panel x 2 (47.8 x 39.4cm)



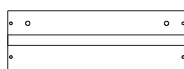
6 Shelf x 2 (47.6 x 39.4cm)



7 Door (41.6 x 43.2cm)



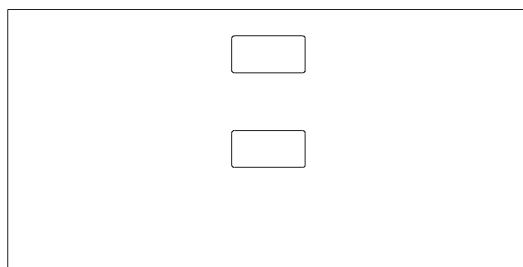
8 Drawer front (43.2 x 11.2cm)



9 Drawer sides x 2 (34 x 11.2cm)



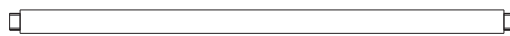
10 Drawer back (40.8 x 11.2cm)



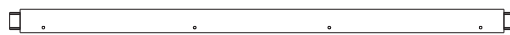
22 Back panel (99.2 x 49.6cm)



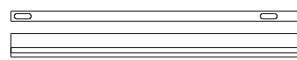
11 Front plinth (105 x 9.2cm)



12 Top front frame (96 x 4.5cm)



13 Bottom front frame (96 x 4.5cm)



14 Right front frame (56 x 4.5cm)



15 Left front frame (56 x 4.5cm)



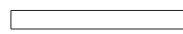
16 Vertical frame (46.3 x 4.5cm)



17 Middle front frame (47.8 x 4.5cm)



18 Side plinth x 2 (41.8 x 9.2cm)



19 Side drawer runner (34.6 x 3.5cm)



20 Middle drawer runner (34.6 x 2.2cm)



21 Block x 4 (10 x 2cm)




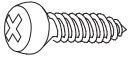
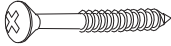
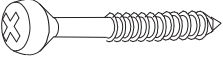
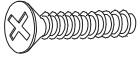


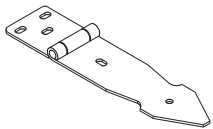
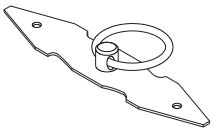
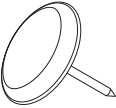
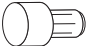

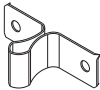
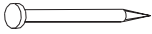
23 Drawer bottom (41.8 x 32.6cm)

Components - Fittings

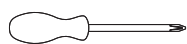
If you have damaged or missing components, call the **Argos Customer Helpline: 08456 400 800** or **Homebase Customer Helpline: 0845 077 8888**

Please check you have all the fittings listed below

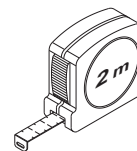
Note: The quantities below are the correct amount to complete the assembly. In some cases more fittings may be supplied than are required.

A  Wooden dowel x 20	B  14mm Screw x 18	C  30mm Screw x 16
D  35mm Screw x 21	E  19mm Bolt x 2	F  Metal dowel x 14
G  Locking nut x 14	H  Door hinge x 2	I  Door / drawer handle x 2
J  Round metal stud x 2	K  Shelf support x 8	L  Clip x 1
M  Plug x 1	N  Nail x 24	

Tools required



Phillips screwdriver
(medium & large)



Ruler/tape
measure

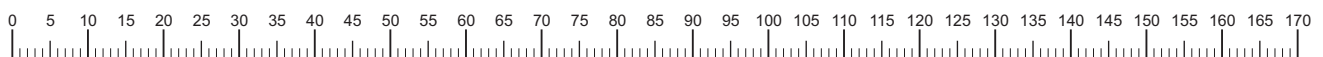


Small
hammer



Eye protection
(when using a
hammer or glue)

Ruler - Use this ruler to help correctly identify the screws



Assembly Instructions

Step 1

Fixing right front frame to the right side panel
(Two people required for an easier assembly).

a: Insert right side panel **2** into right front frame **14** through joints.



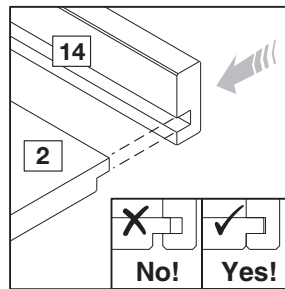
Note:

Before fixing the blocks **21** into place it is important to ensure that the slot and groove of parts **2** and **14** are fully pushed together and lined up correctly at the top and bottom.

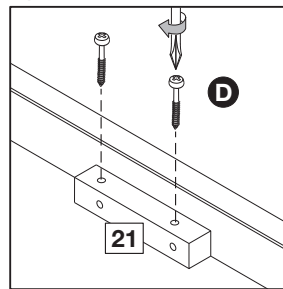
b: Place blocks **21** in the positions shown. First fix to the side panel using screws **D**.

c: Fix front frame through blocks **21** using screws **D**.

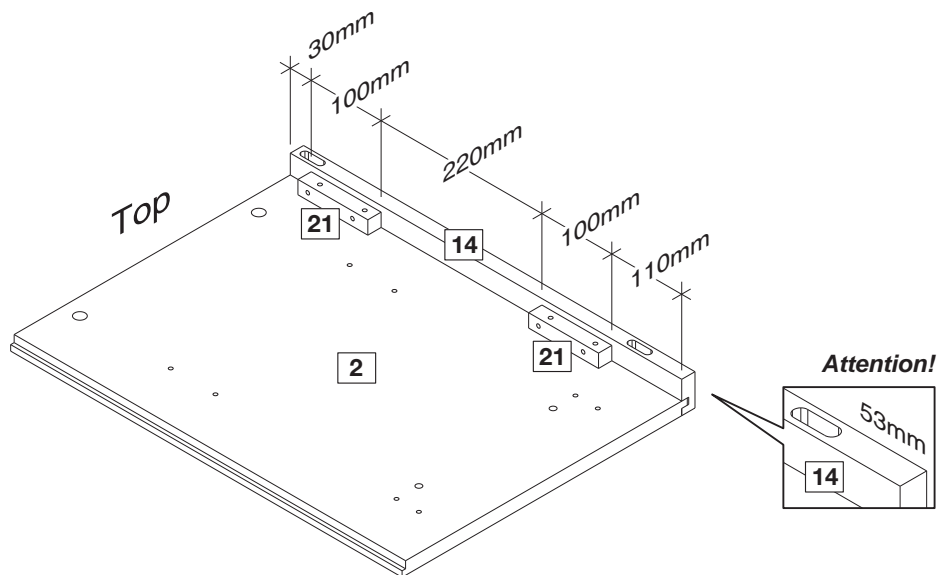
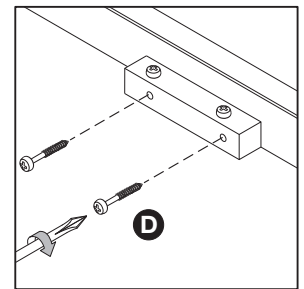
a:



b:



c:



Step 2

Fixing left front frame to the left side panel
(Two people required for an easier assembly).

a: Insert left side panel **3** into left front frame **15** through joints.



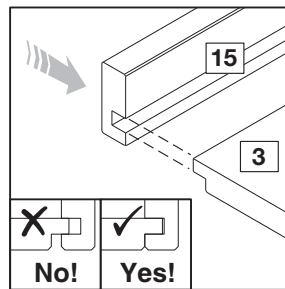
Note:

Before fixing the blocks **21** into place it is important to ensure that the slot and groove of parts **3** and **15** are fully pushed together and lined up correctly at the top and bottom.

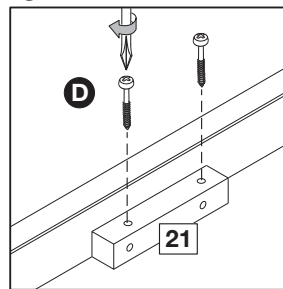
b: Place blocks **21** in the positions shown. First fix to the side panel using screws **D**.

c: Fix front frame through blocks **21** using screws **D**.

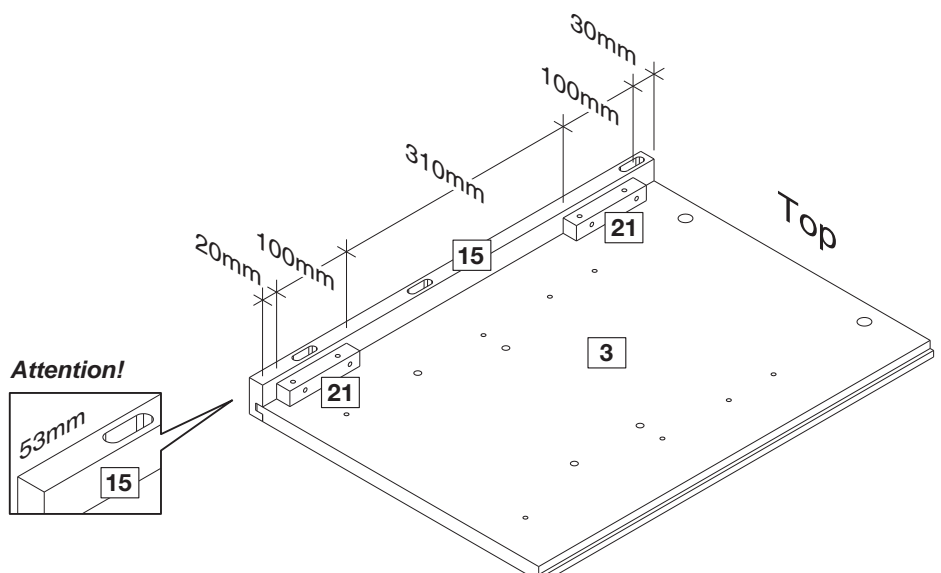
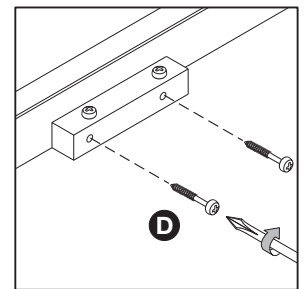
a:



b:



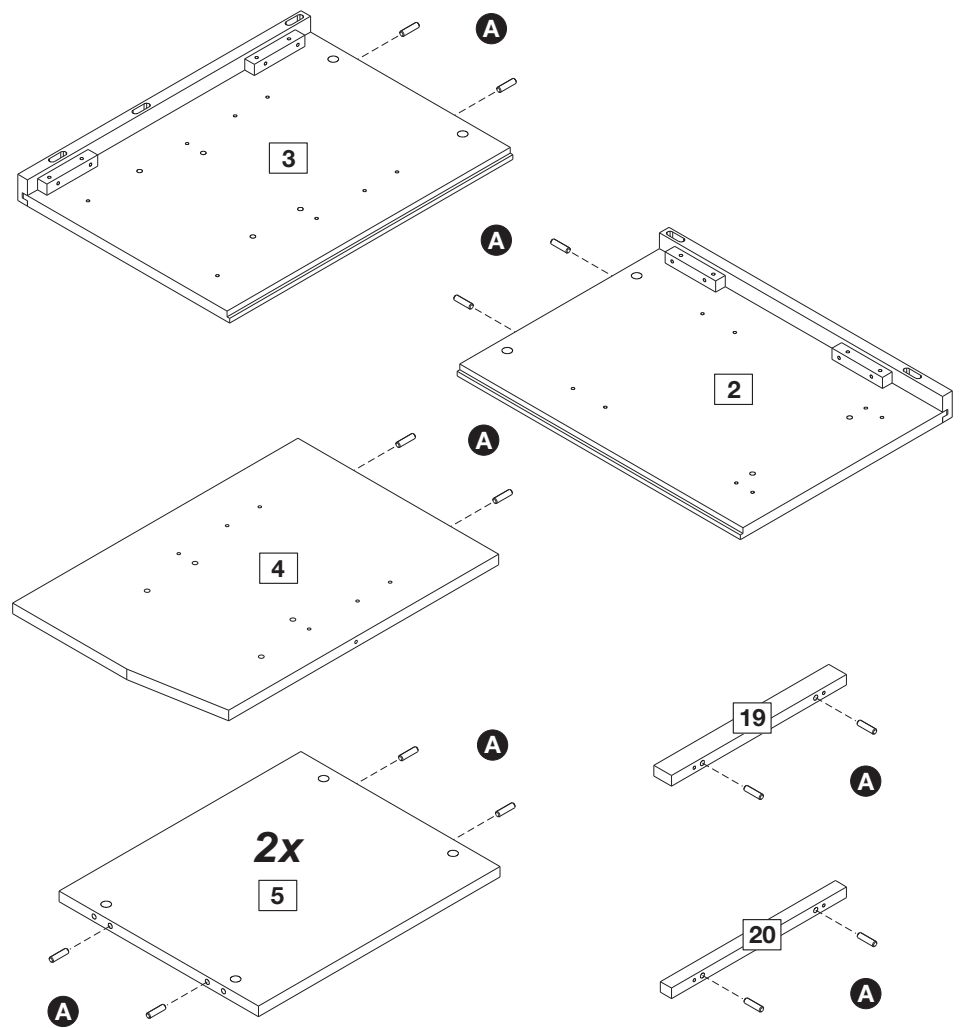
c:



Assembly Instructions

Step 3

Insert dowels **A** into the indicated parts.



Step 4

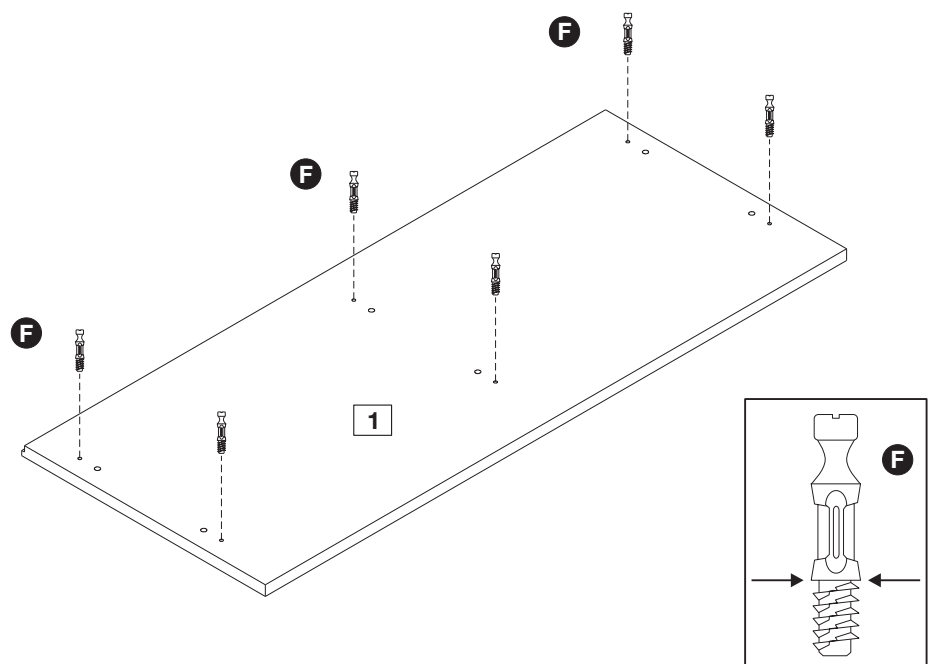
Fitting Metal dowels.

Screw metal dowels **F** into top panel **1**.



Note: Insert metal dowels as far as shown.

Do not over tighten.



Assembly Instructions

Step 5

Fitting Metal dowels and shelf support.

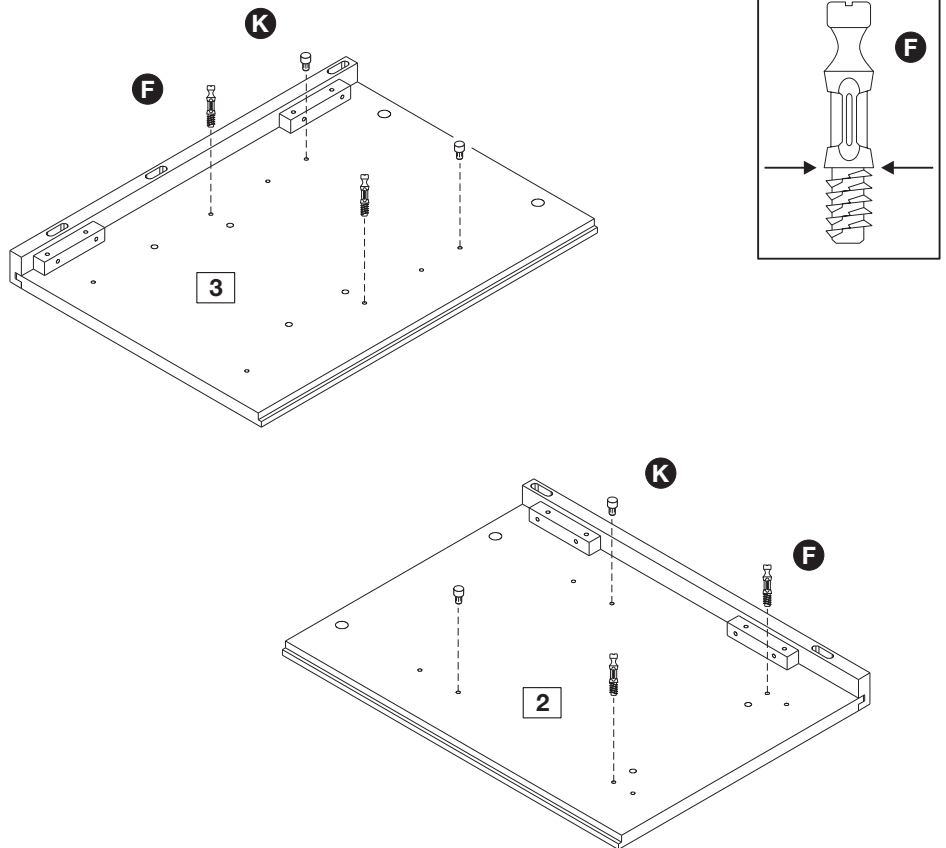
Screw metal dowels **F** into side panels **2** and **3**.



Note: Insert metal dowels as far as shown.

Do not over tighten.

Insert shelf support pins **K** into side panels **2** and **3**.



Step 6

Fitting Metal dowels and shelf support.

Screw metal dowels **F** into middle wall panel **4**.



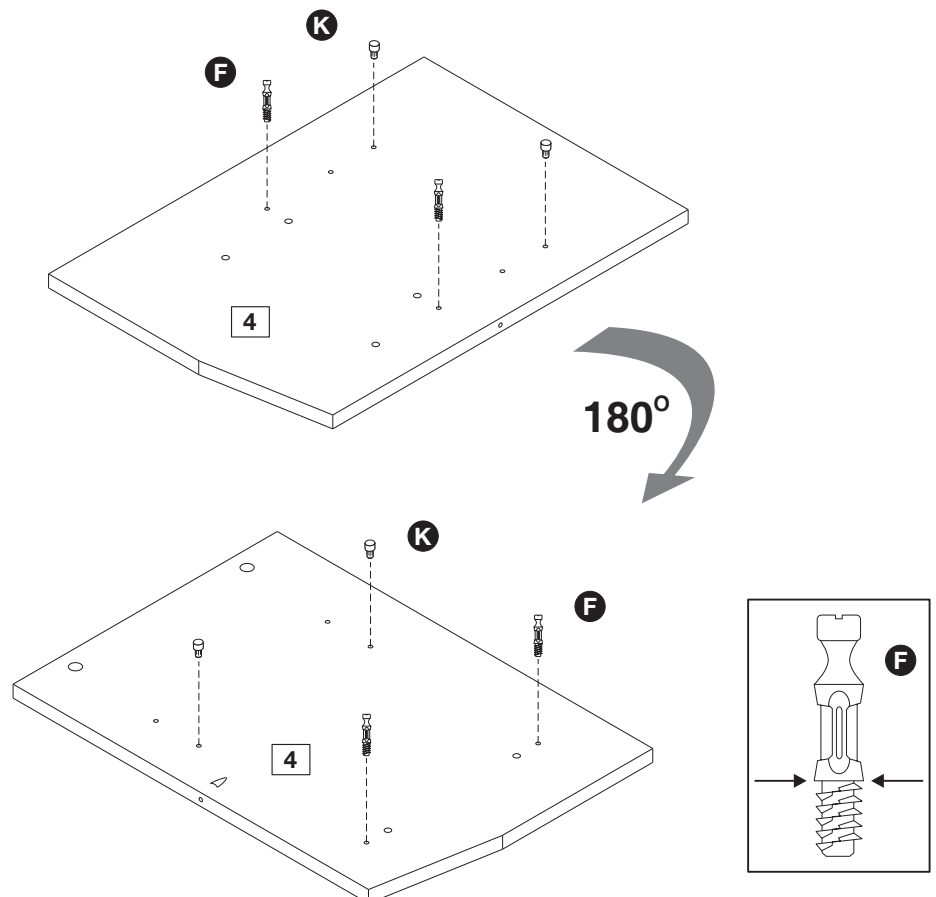
Note: Insert metal dowels as far as shown.

Do not over tighten.

Insert shelf support pins **K** into middle wall panel **4**.



Attention Repeat step 6 for the other side of the panel.

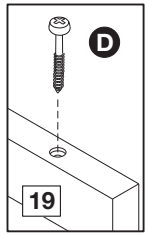
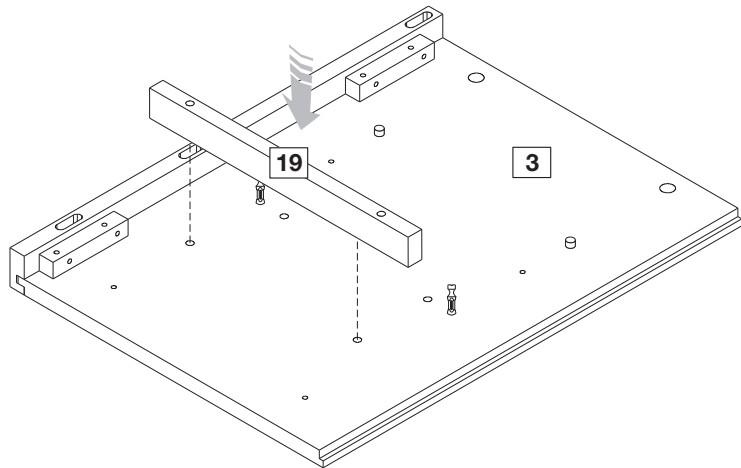


Assembly Instructions

Step 7

Fixing side drawer runner.

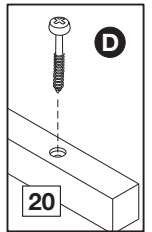
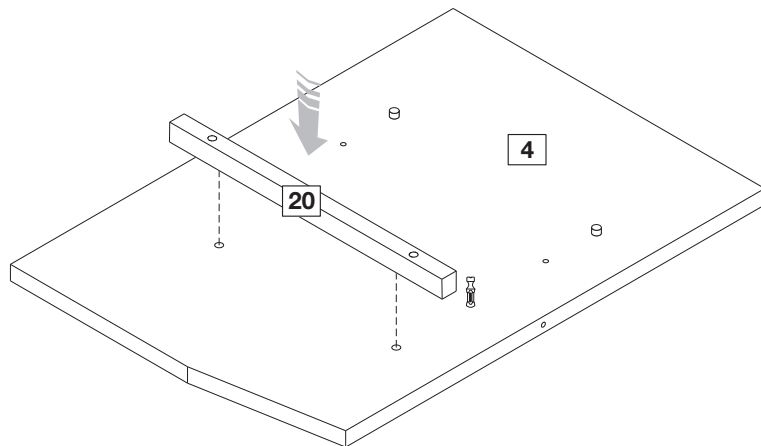
Fit side drawer runner **19** to the left side panel **3** then fix it using screws **D** as shown.



Step 8

Fixing middle drawer runner.

Fit middle drawer runner **20** to the middle wall panel **4** then fix it using screws **D** as shown.



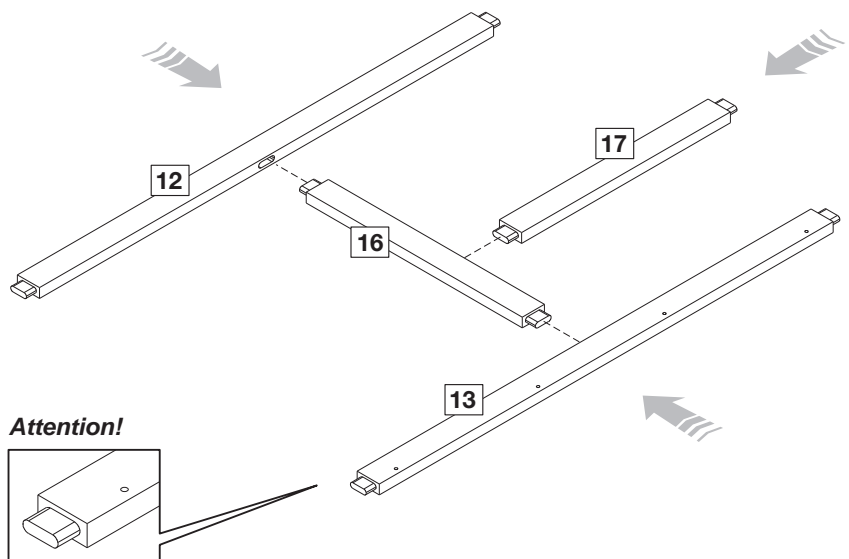
Step 9

Assembling parts.

Put parts **12**, **13**, **16** and **17** together as shown in the diagram.



Attention!
Correct position
of the parts.

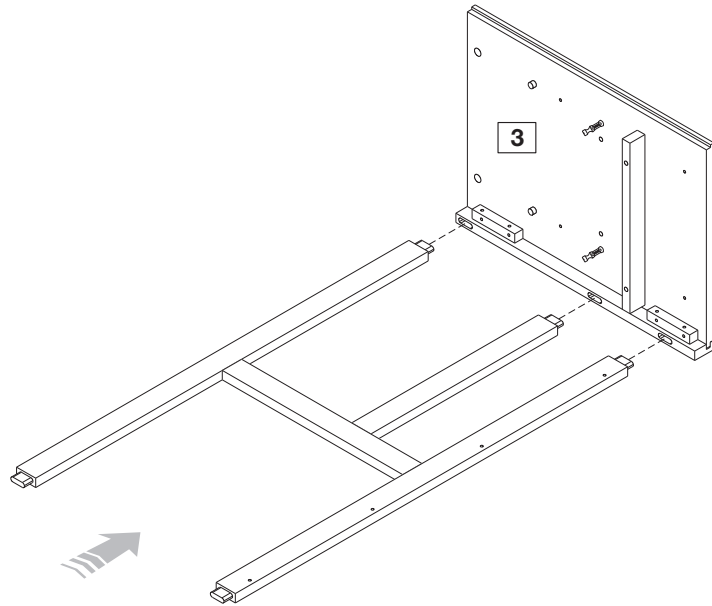


Attention!

Assembly Instructions

Step 10

Insert the assembled frame into the holes on left side panel **3**.



Step 11

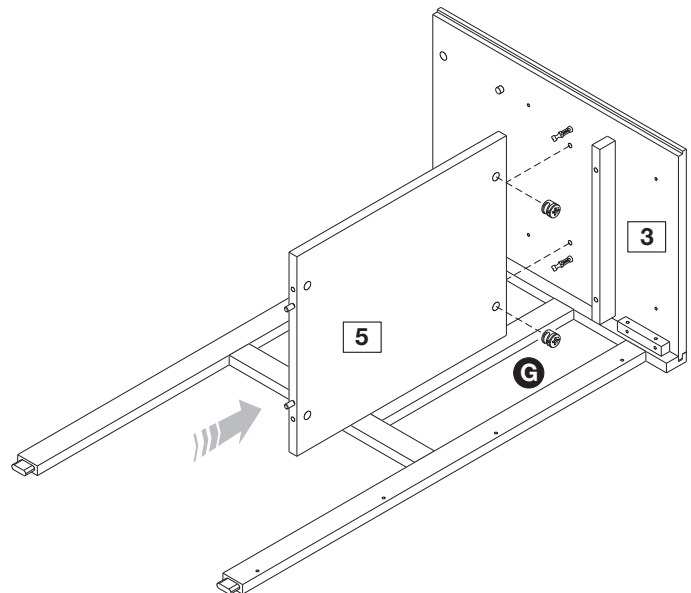
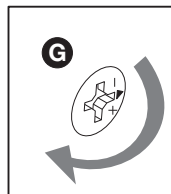
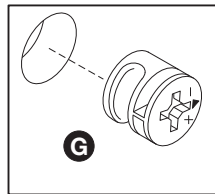
Fixing base panel.

With help, fit base panel **5** to left side panel **3**.

Insert 2 locking nuts **G** into base panel where shown.

Use a screwdriver to turn locking nuts **G** clockwise to lock.

Do not over tighten.



Step 12

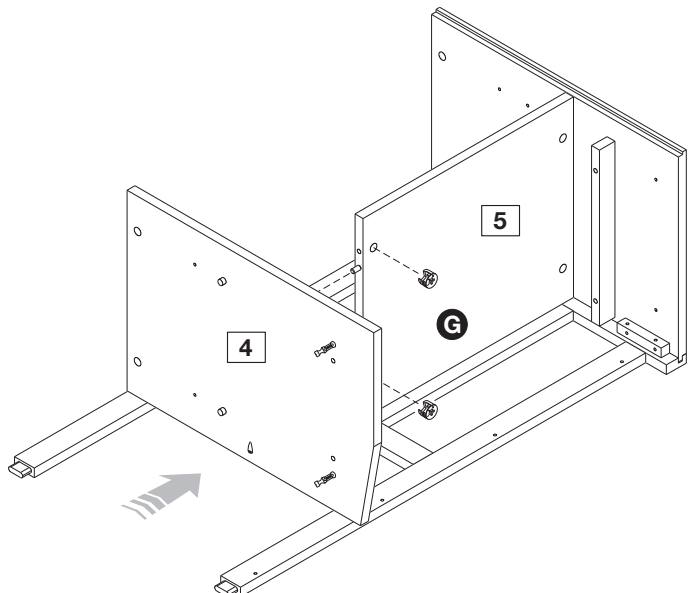
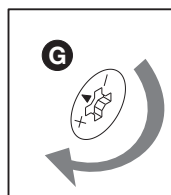
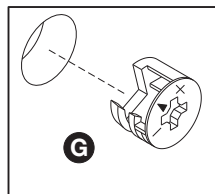
Fixing middle wall panel.

With help, fit middle wall panel **4** to base panel **5**.

Insert 2 locking nuts **G** into base panel where shown.

Use a screwdriver to turn locking nuts **G** clockwise to lock.

Do not over tighten.



Assembly Instructions

Step 13

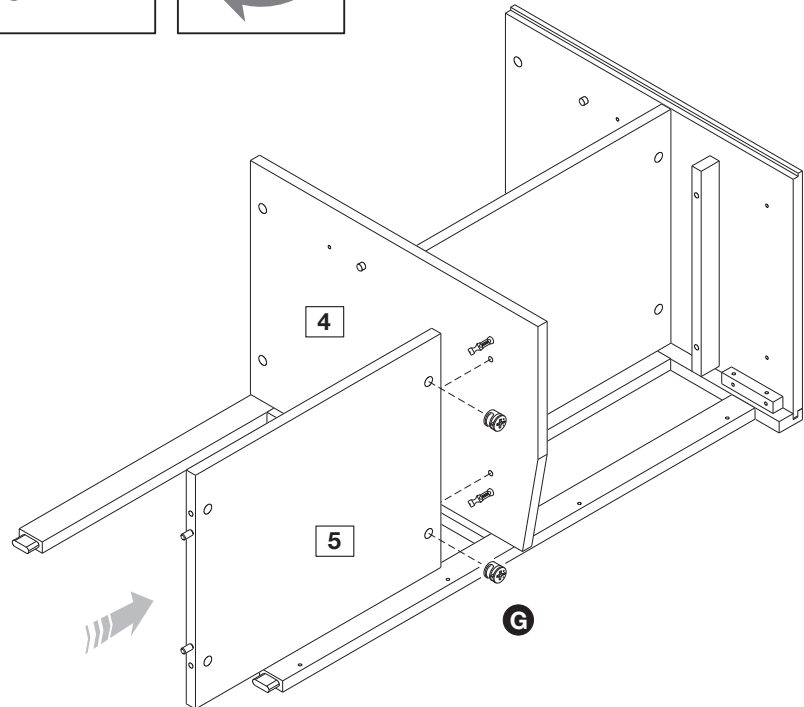
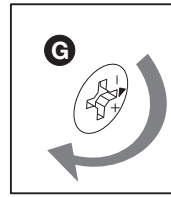
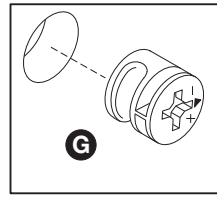
Fixing base panel.

With help, fit base panel **5** to middle wall panel **4**.

Insert 2 locking nuts **G** into base panel where shown.

Use a screwdriver to turn locking nuts **G** clockwise to lock.

Do not over tighten.



Step 14

Fixing right side panel.

With help, place side **2** properly ensuring dowels and front frames **12** and **13** are all fit into their holes at the same time.

Insert 2 locking nuts **G** into base panel where shown.

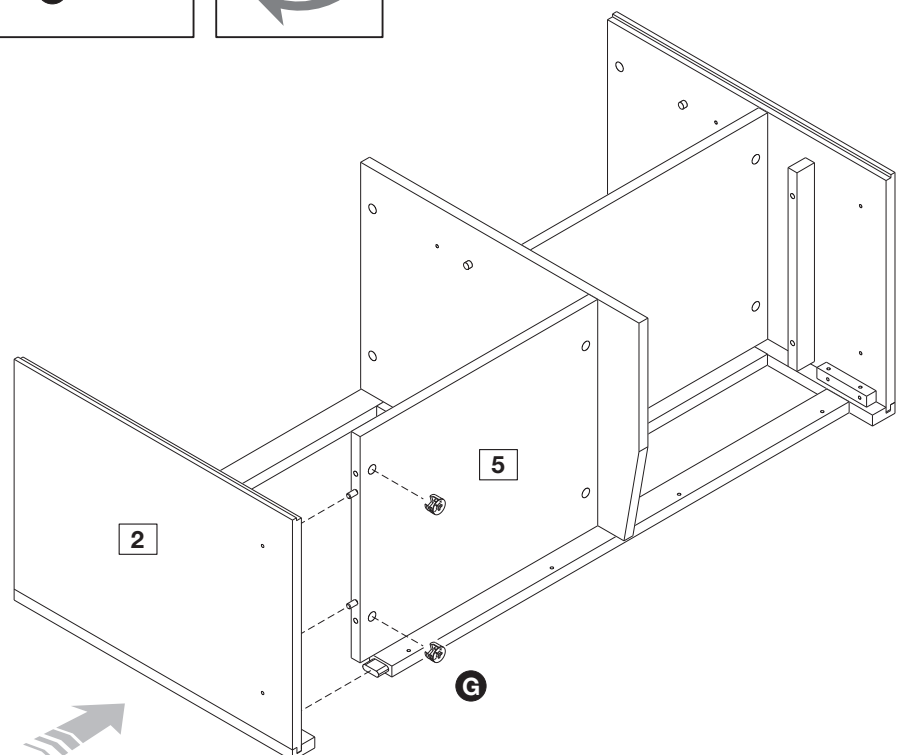
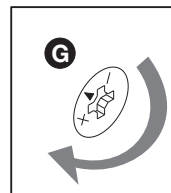
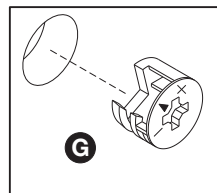
Use a screwdriver to turn locking nuts **G** clockwise to lock.

Do not over tighten.



Important:

After attaching the side panel, with help, carefully stand the product upright.



Assembly Instructions

Step 15

Fixing top panel.

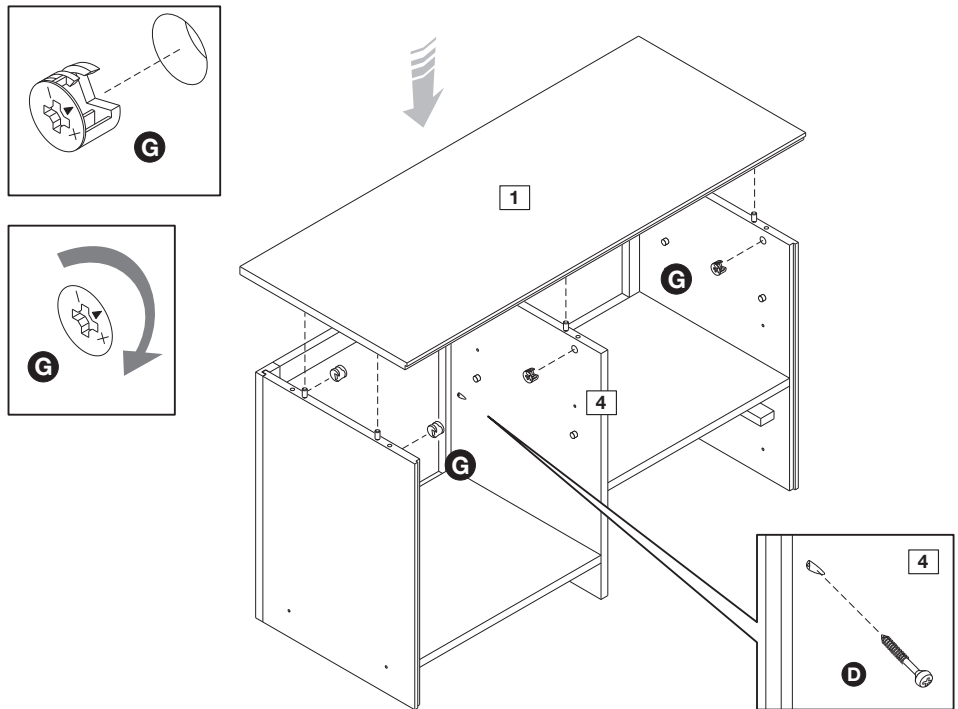
With help, fit top panel **1** to the cabinet.

Insert 6 locking nuts **G** into side panels and middle panel where shown.

Use a screwdriver to turn locking nuts **G** clockwise to lock.

Do not over tighten.

Attach middle panel **4** to vertical frame using screw **D**.



Step 16



Important:

With help, carefully lay down the product.

a: Fix side plinths **18** to the side panels using screws **C**.

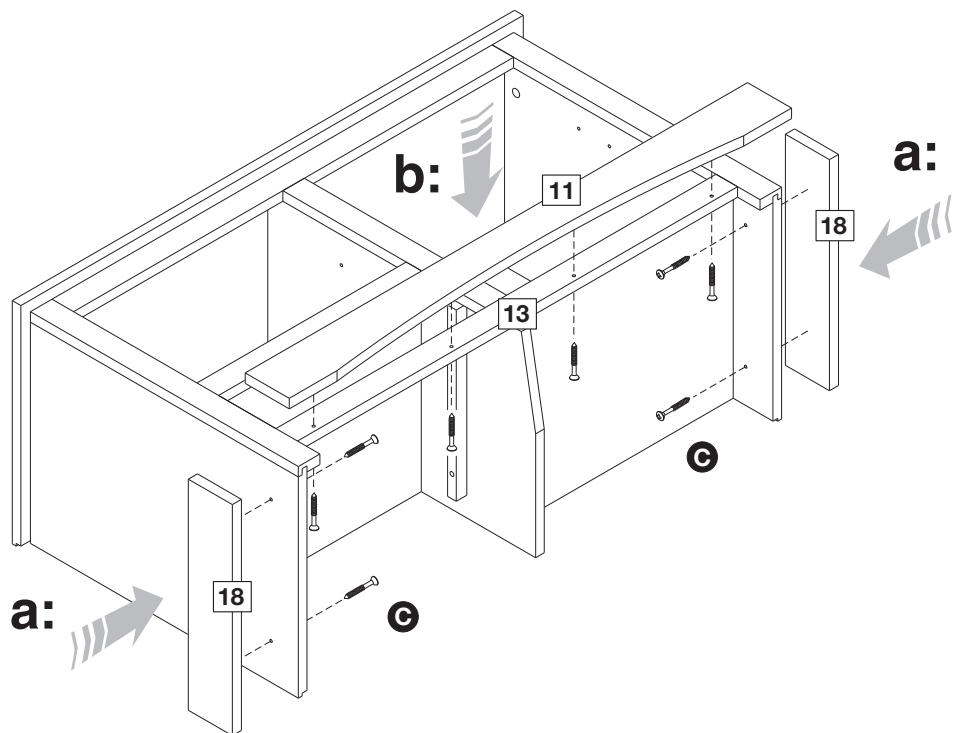


Note: Make sure side plinths are aligned to the bottom and front edges of the side panels.

b: Fix front plinth **11** to the bottom front frame **13** using screws **C**.



Note: Make sure front plinth **11** is aligned to the bottom edge of the side panels and in line to the side plinths.



Assembly Instructions

Step 17

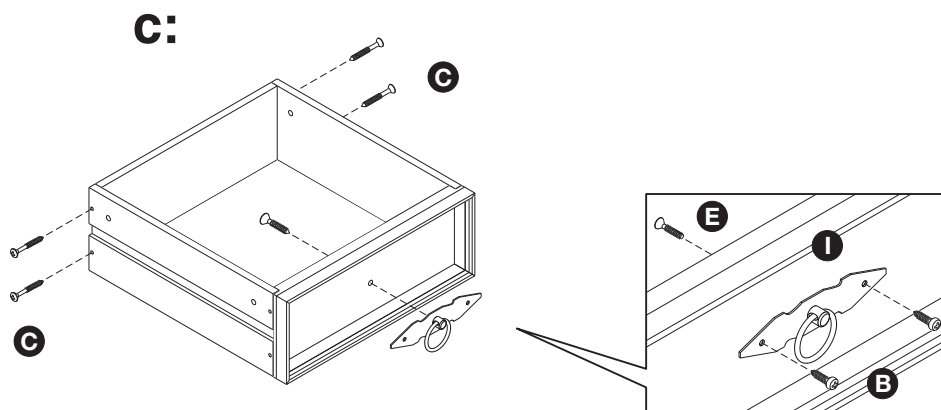
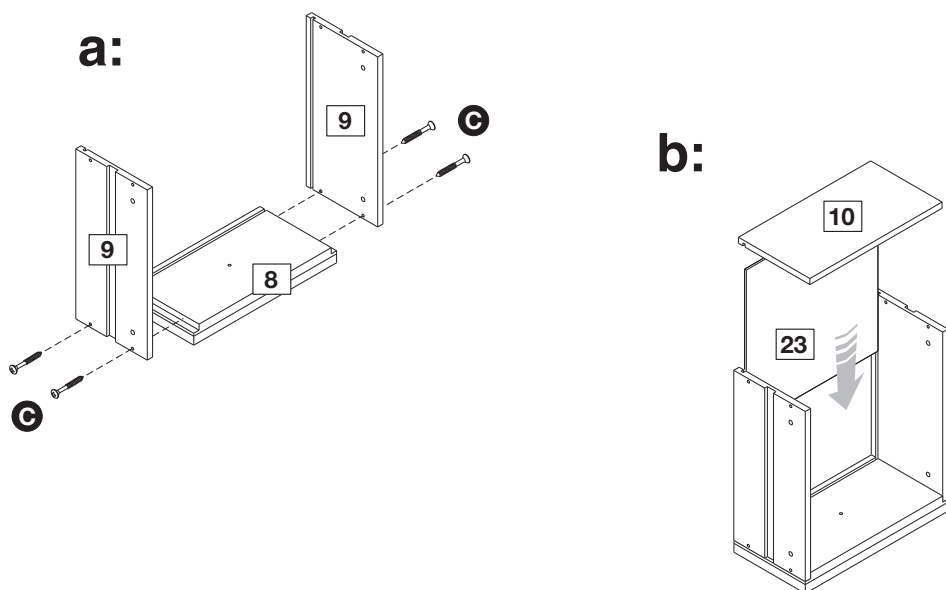
Drawer assembly.

a: Attach drawer sides **9** to the drawer front **8** using screws **C**.

b: Slide drawer bottom into slots on drawer sides and position drawer back **10** in place.

c: Carefully lay down the drawer holding drawer back **10**, press the drawer sides and fix them using screws **C**.

Attach handle **I** to the drawer using bolt **E**, then fix handle plate to the drawer using screws **B**. Make sure handle plate is aligned before fixing.

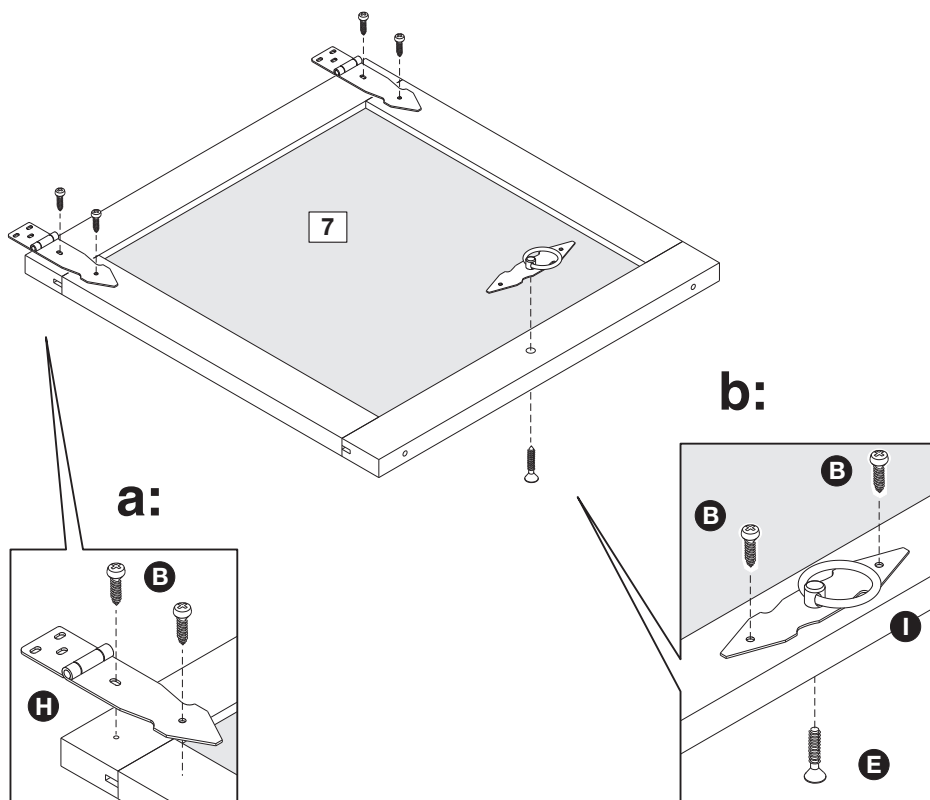


Step 18

Fitting hinges to doors.

a: Attach hinges **H** to the pre drilled holes in the door using screws **B**.

b: Attach handle **I** to the door using bolt **E**, then fix handle plate to the door using screws **B**. Make sure handle plate is aligned before fixing.



Assembly Instructions

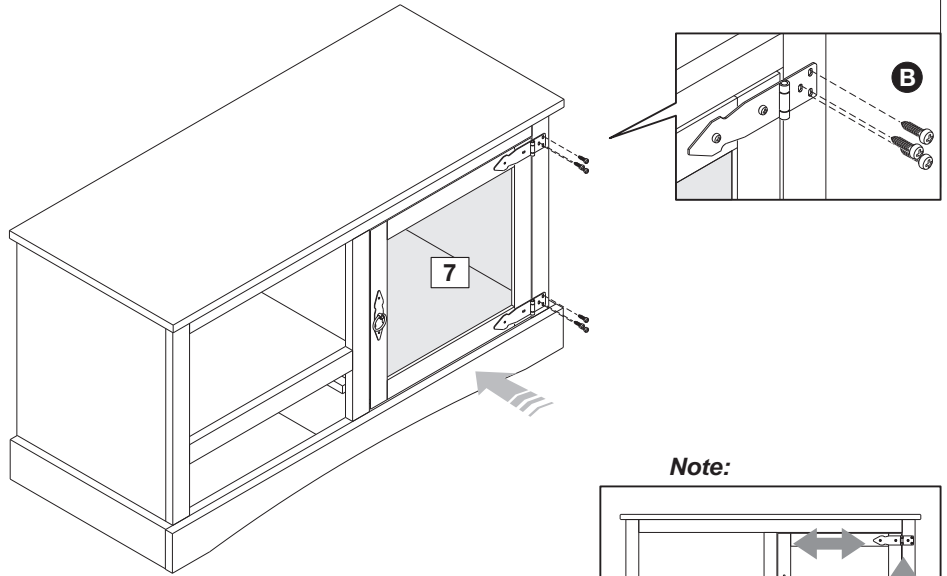
Step 19

Fixing door.

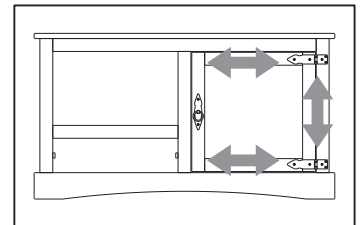
Important: With help, carefully stand the product upright.

With help centralise the door in the opening of the cabinet then fix the hinges using screws **B** as shown.

Note: Hinges allow some adjustment after door is fixed. Loosen screws and move door to suit. Re-tighten screws.



Note:



Step 20

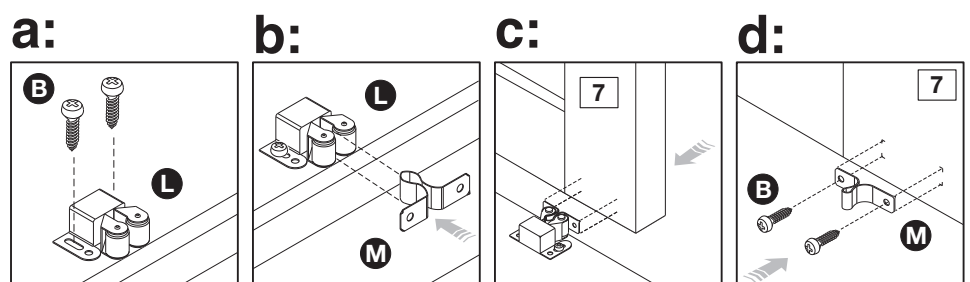
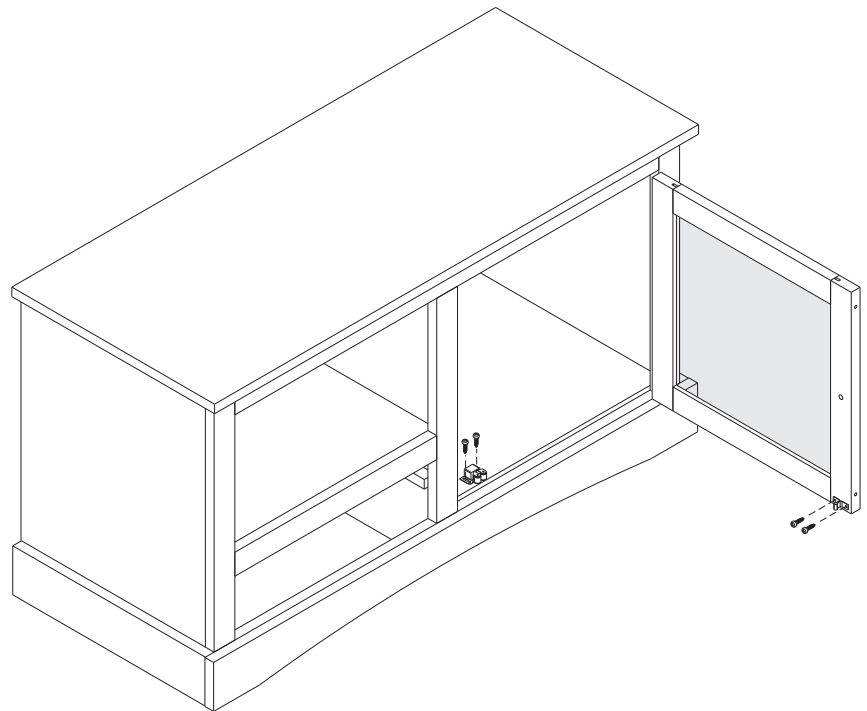
Fitting door lock.

a: Screw clip **L** in place using screws **B**. Ensure that the 2 small wheels are flush with the edge of the base.

b: Insert plug **M** into clip **L**, ensuring they are leveled.

c: Push the door against the plug **M**. This will make 2 small marks on the door.

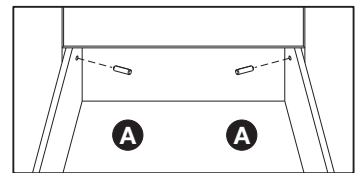
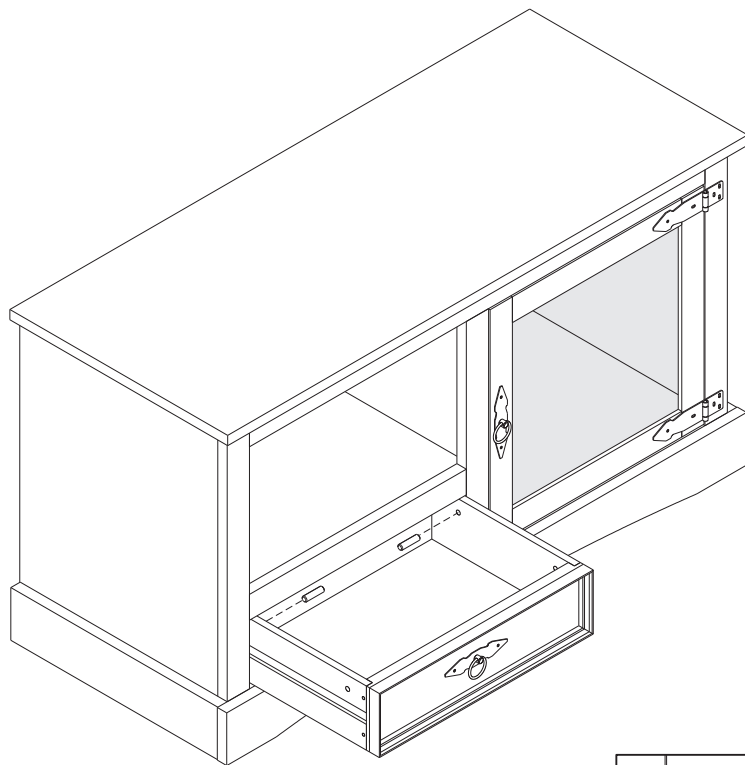
d: The door can then be opened and plug **M** can be screwed into place using the 2 marks made as a guide. This will ensure that the 2 parts of the door clip are lined up correctly.



Assembly Instructions

Step 21

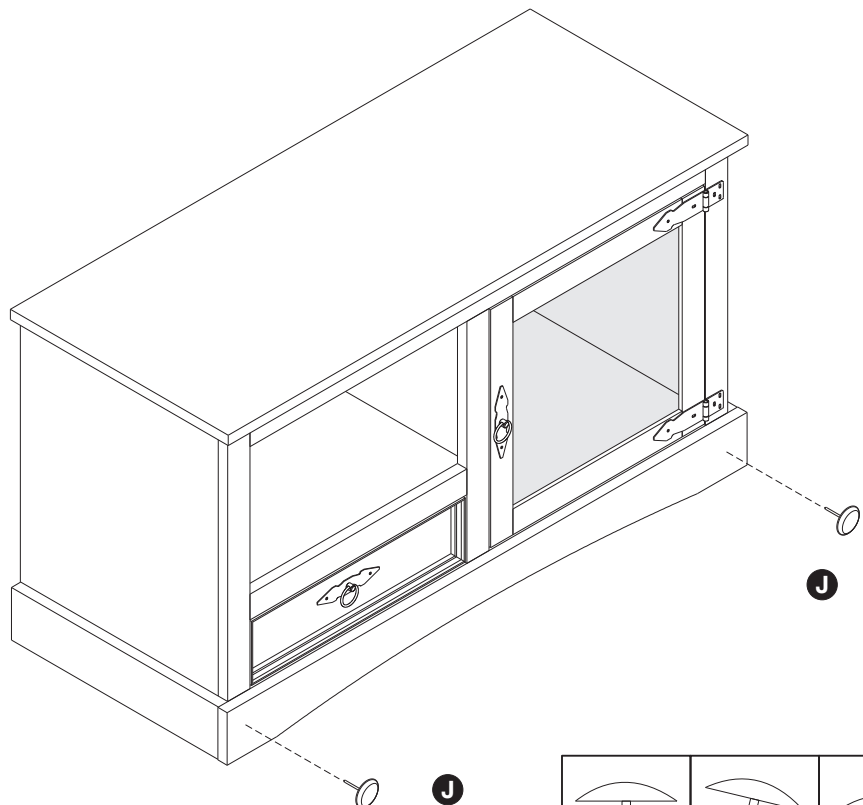
Insert drawer into unit. With the back of the drawer past the front frames, use a hammer to tap dowels **A** in flush to drawer sides. This is a safety catch to stop drawer falling out.



Step 22

Fixing round metal studs.

Fix round metal studs **J** into the pre drilled holes in front plinth **11**.



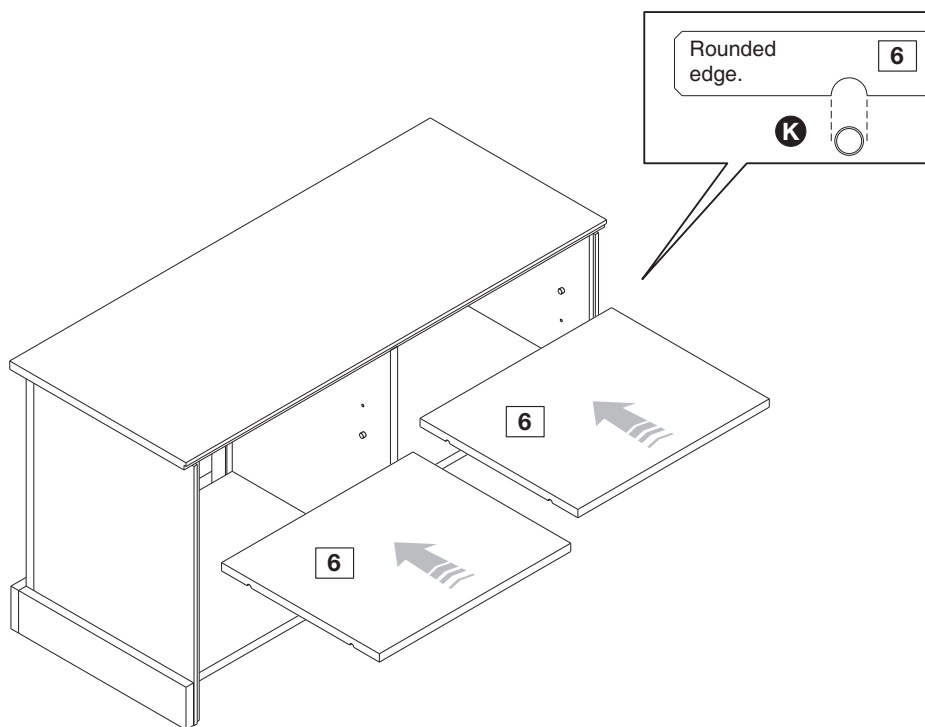
Assembly Instructions

Step 23

Position shelves **6** into place. Make sure rounded edge is facing front.



Note:
Adjustable shelves.

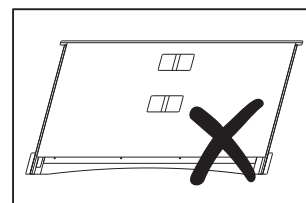
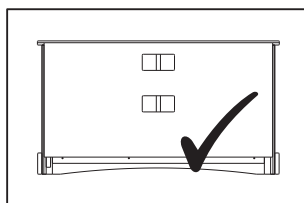


Step 24

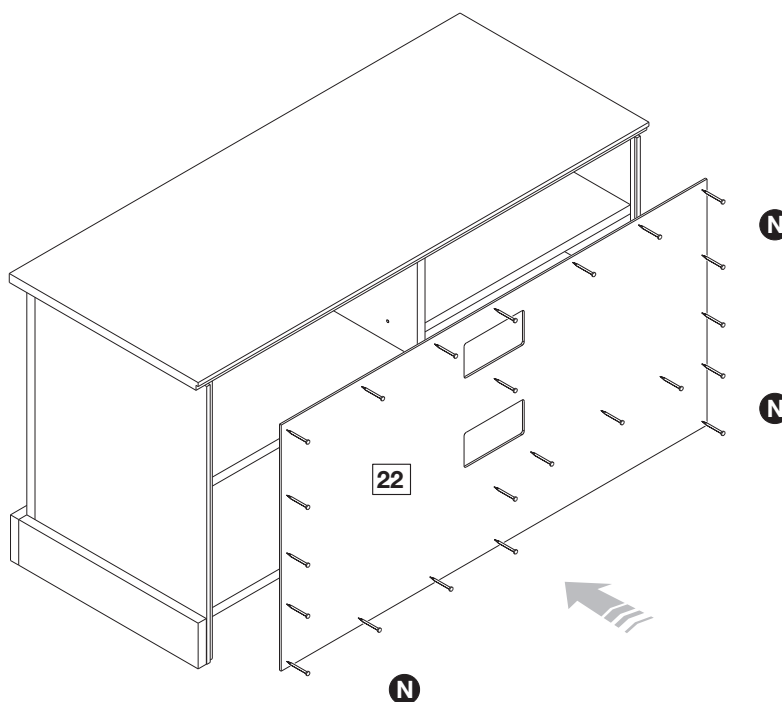
Fixing back panel.



Important:
Cabinet **MUST** be square when back panels are attached.



Attach the back panel **22** using nails **N**.



Assembly is complete.

If you need help or have damaged or missing parts, call the **Argos Customer Helpline: 08456 400 800** or **Homebase Customer Helpline: 0845 077 8888**