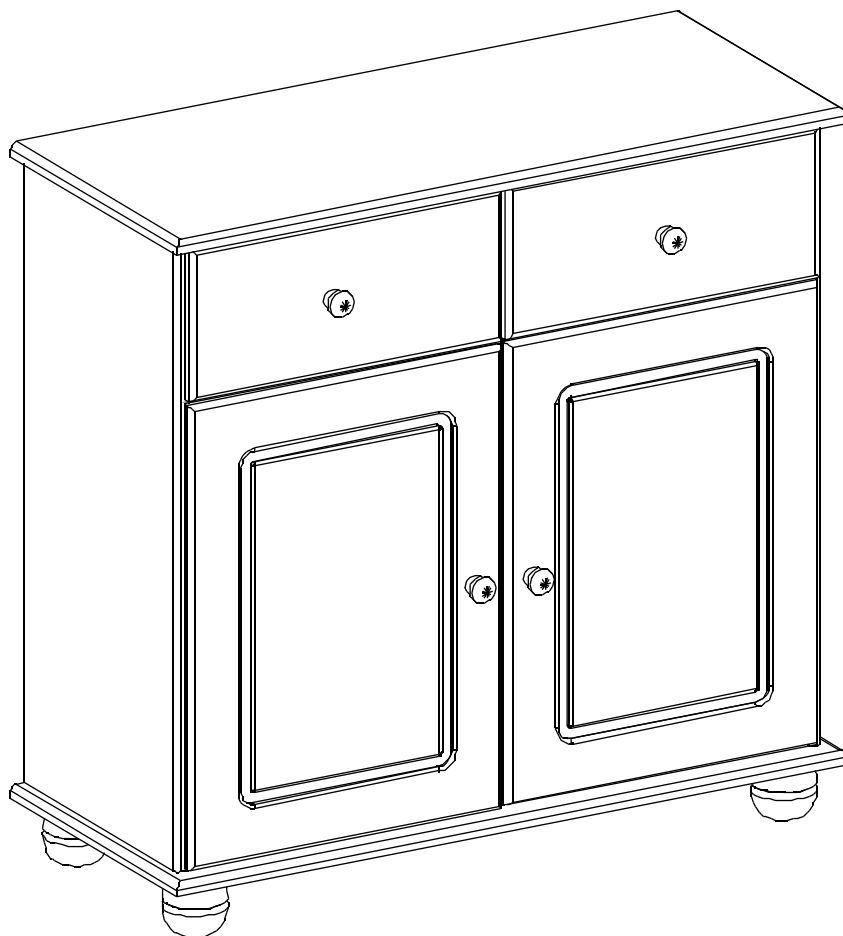


Rio - 2 door sideboard

Assembly Instructions - Please keep for future reference

614/2113



Dimensions

Width - 81.5cm

Depth - 35cm

Height - 79.5cm

Important – Please read these instructions fully before starting assembly

If you need help or have damaged or missing parts, call the **Customer Helpline: 08456 400 800**



Safety and Care Advice

Important – Please read these instructions fully before starting assembly

- Check you have all the components and tools listed on pages 2 and 3.
- Remove all fittings from the plastic bags and separate them into their groups.
- Keep children and animals away from the work area, small parts could choke if swallowed.
- Make sure you have enough space to layout the parts before starting.
- Do not stand or put weight on the product, this could cause damage.

- This product has been produced from natural timber; you may notice some variation in the grain and colour of different component parts which is normal for furniture produced using natural wood and is not the result of any manufacturing fault.
- Assemble the item as close to its final position (in the same room) as possible.
- Assemble on a soft level surface to avoid damaging the unit or your floor.



- We do not recommend the use of power drill/drivers **for inserting screws**, as this could damage the unit. Only use hand screwdrivers.
- Parts of the assembly will be easier with 2 people.
- Dispose of all packaging carefully and responsibly.

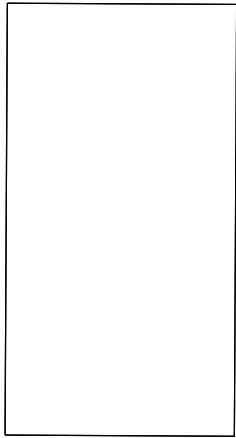
care and maintenance

- Use an appropriate furniture polish for natural wood furniture and a dry cloth to clean the product.
- Avoid placing the furniture in direct sunlight as this will cause the timber to prematurely age.
- From time to time check that there are no loose screws on this unit.
- This product should not be discarded with household waste. Take to your local authority waste disposal centre.

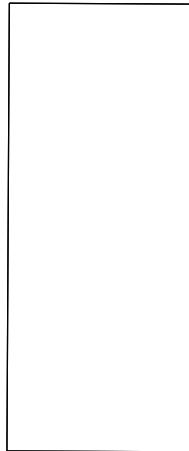
Note: if required the next page can be cut out and used as reference throughout the assembly. Keep this page with these instructions for future reference.

Components - Panels

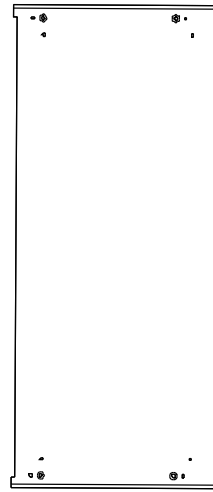
Please check you have all the panels listed below



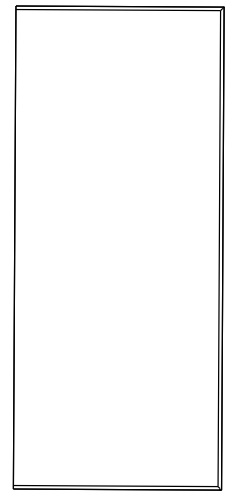
8 Back panel x 2 (72.7 x 38.6cm)



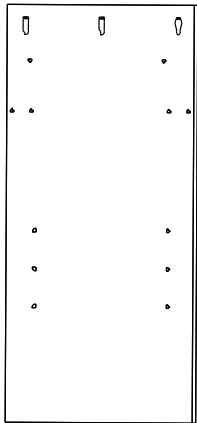
5 Shelf (75.2 x 30.8cm)



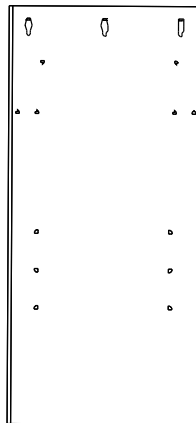
2 Base (81.5 x 35cm)



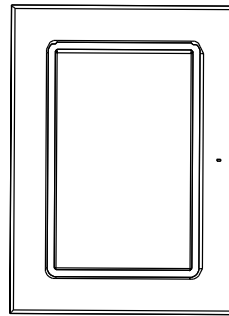
1 Top (81.5 x 35cm)



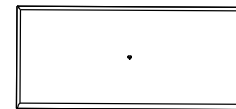
3 Left side (70.2 x 32cm)



4 Right side (70.2 x 32cm)



16 Left door (51.8 x 38cm)



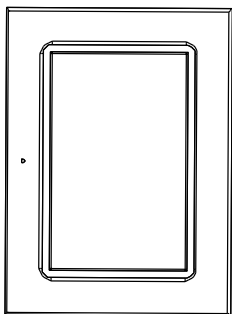
11 Drawer front x 2 (38 x 17.3cm)



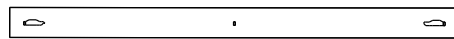
12 Left side of drawer x 2 (30 x 13cm)



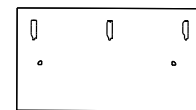
10 Feet (6 x 6.5cm)



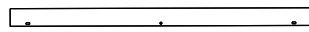
18 Right door (51.8 x 38cm)



6 Crossrail (75.5 x 5cm)



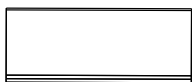
7 Division (31.4 x 17.1cm)



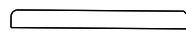
17 Door knocker (50.9 x 3cm)



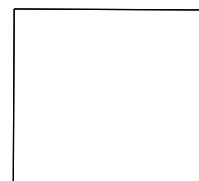
13 Right side of drawer x 2 (30 x 13cm)



15 Back of drawer x 2 (31.1 x 12.5cm)



19 Reinforcement x 4 (30 x 3cm)



14 Drawer bottom x 2 (32.3 x 29.8cm)



9 Drawer runners x 4 (30 x 2cm)



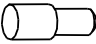



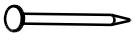









Components - Fittings

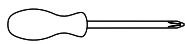
If you have damaged or missing components, call the Customer Helpline: 08456 400 800

Please check you have all the fittings listed below

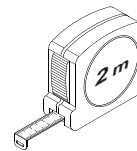
Note: The quantities below are the correct amount to complete the assembly. In some cases more fittings may be supplied than are required.

A  Wooden dowel x 42	B  30mm Screw x 41	C  Shelf support pin x 4
D  14mm Screw x 20	E  35mm Screw x 14	F  30mm Screw x 8
G  Nail x 25	H  Wall strap x 1	I  Washer x 1
J  Wooden dowel x 2	K  Door hinge x 4	L  Hinge plate x 4
M  Knob x 4	N  Profile x 1	

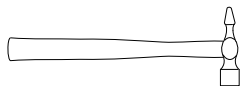
Tools required



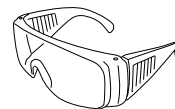
Phillips screwdriver
(medium & large)



Ruler/tape
measure

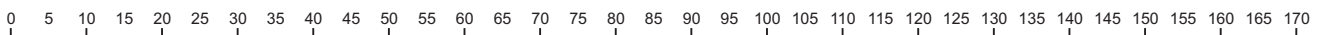


Small
hammer



Eye protection
(when using a
hammer or glue)

Ruler - Use this ruler to help correctly identify the screws

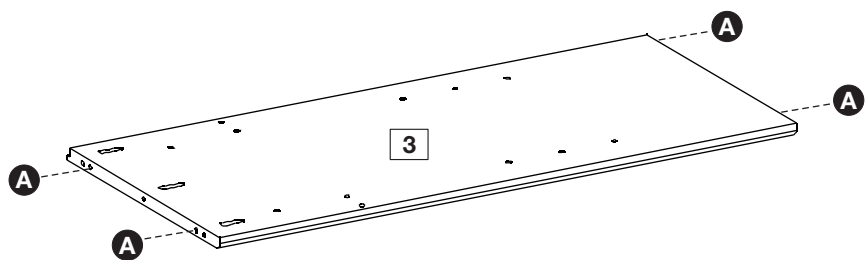
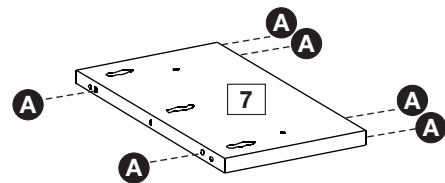
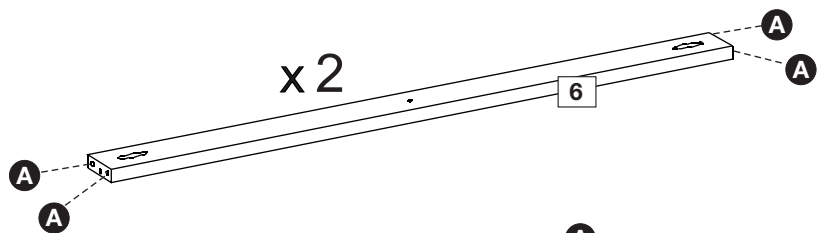
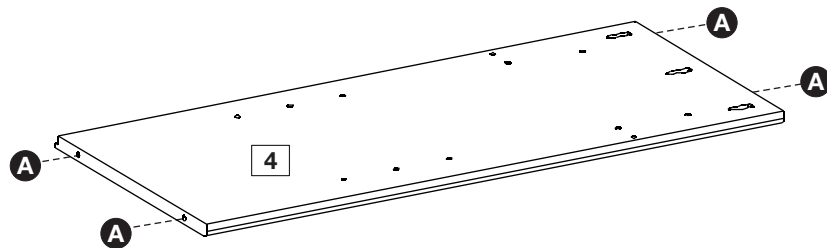
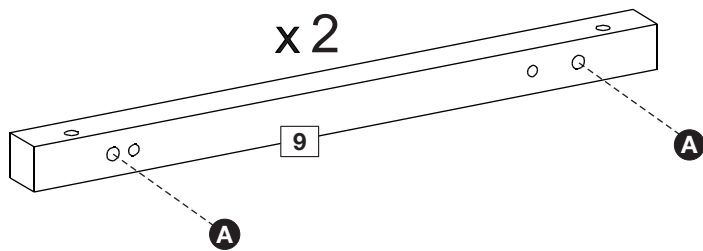
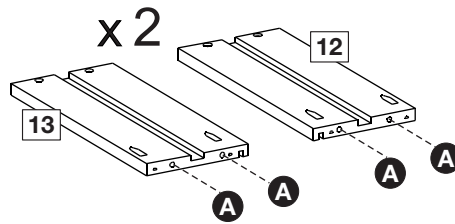


Assembly Instructions

Step 1

Fitting Wooden Dowels:

Insert Dowels **A** into holes in the indicated parts.



Assembly Instructions

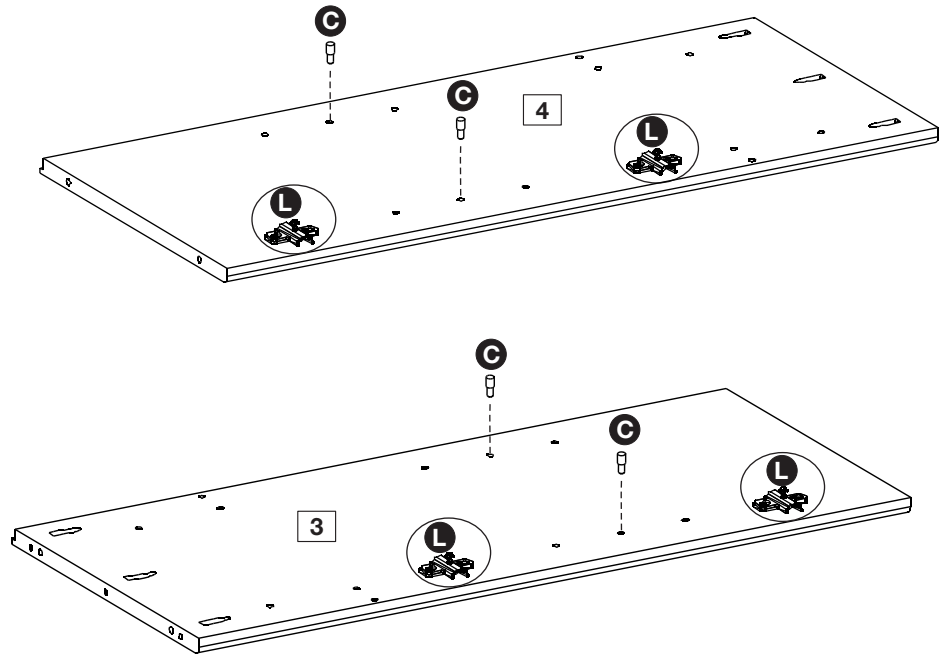
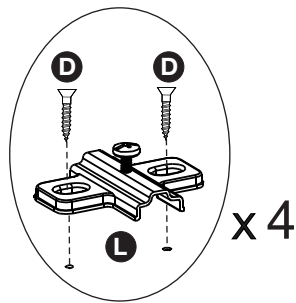
Step 2

Fixing hinge plates:

Fix hinge plates **L** into the pre drilled holes on side panels **3** and **4** using screws **D**.

Attaching shelf support pins:

Push shelf support pins **C** through holes on sides **3** and **4** as shown.



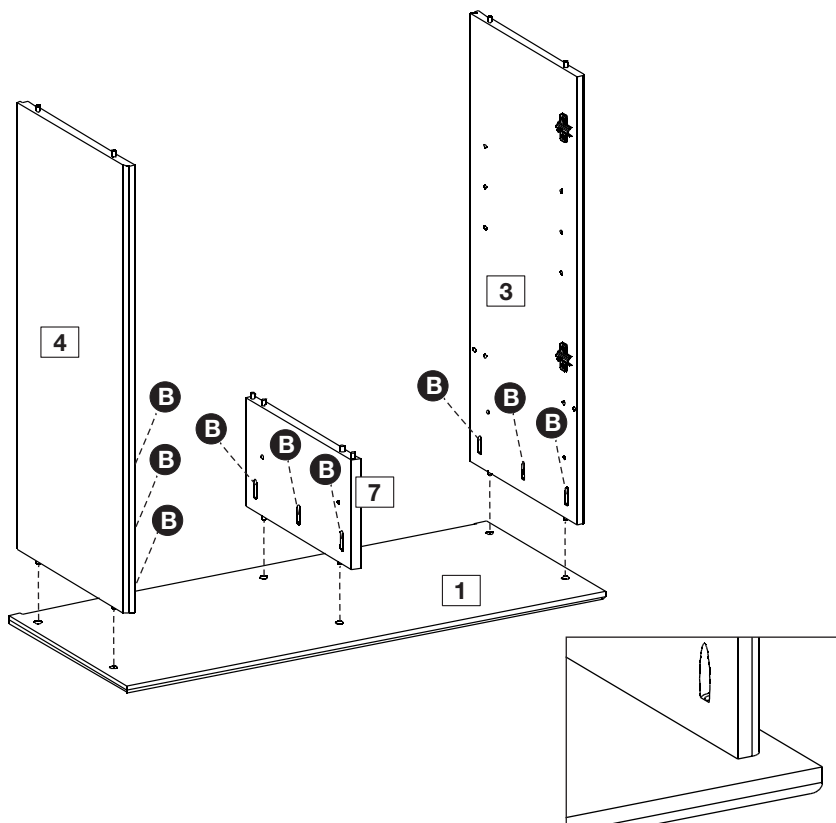
Step 3

Attaching panels:

Attach side **3** and **4** to top panel **1** using screws **B** as shown.

Secure division panel **7** to the top panel **1** using screws **B**.

Note: Make sure rounded edges are facing front as shown.

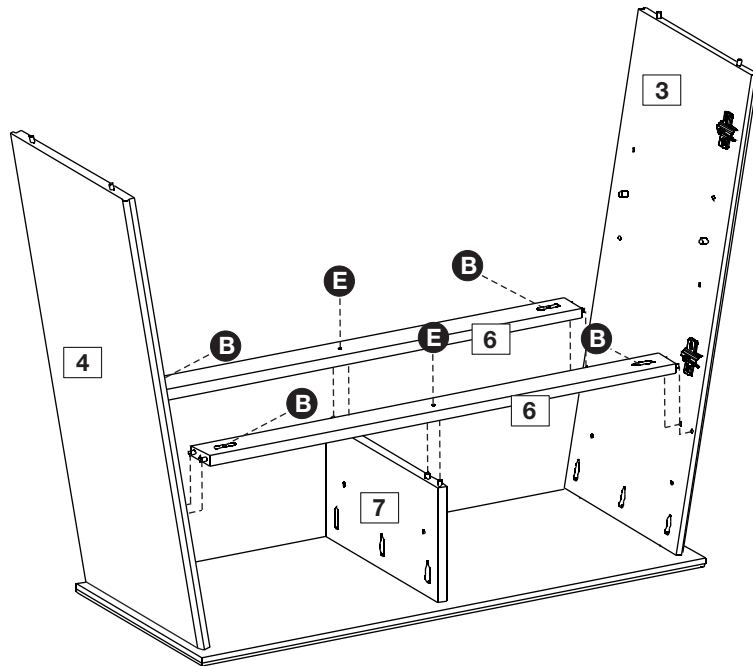


Assembly Instructions

Step 4

Securing crossrails:

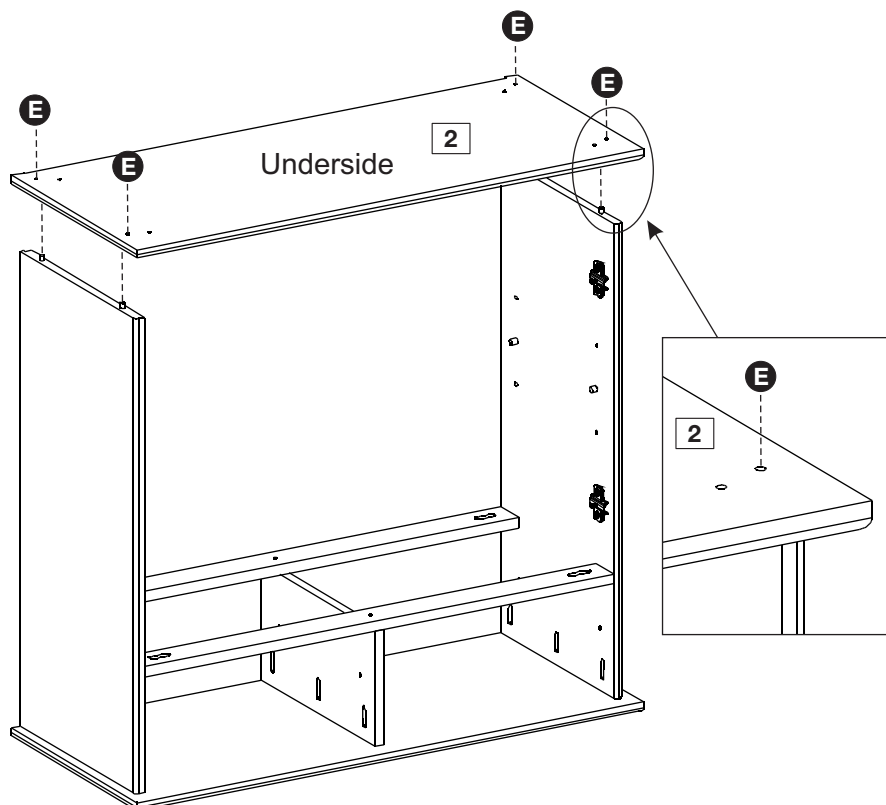
Attach crossrails **6** onto side panels **3** and **4** using screws **B** then secure them to division **7** using 2 screws **E**.



Step 5

Fixing base panel:

Fix base panel **2** to the sides using screws **E**.



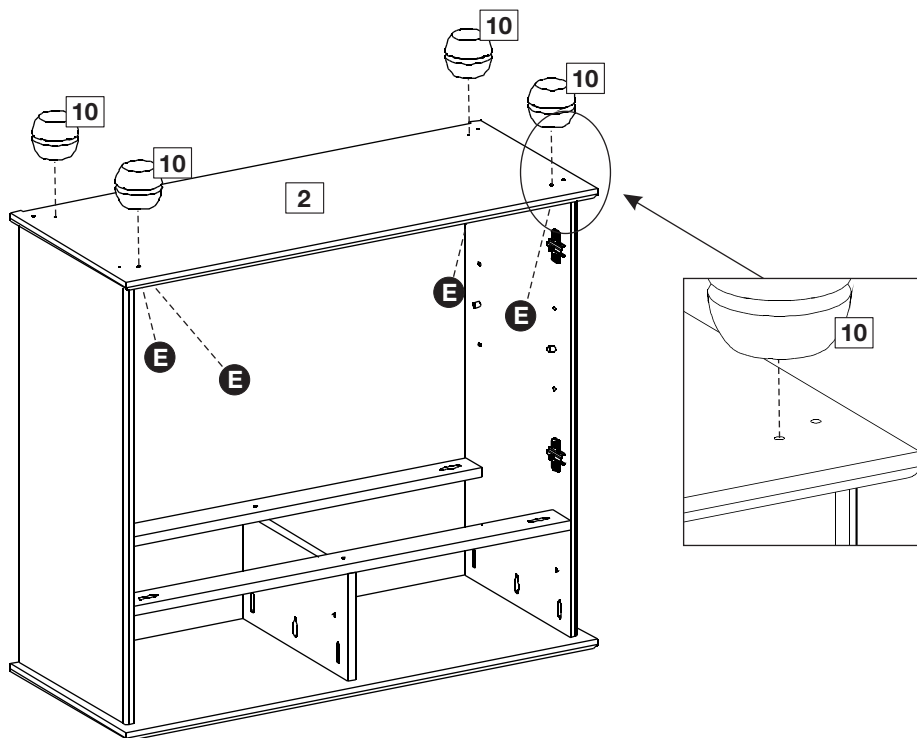
Assembly Instructions

Step 6

Attaching feet:

Fix feet **10** in the base **2** using screws **E**.

Caution: Do not over tighten screws.



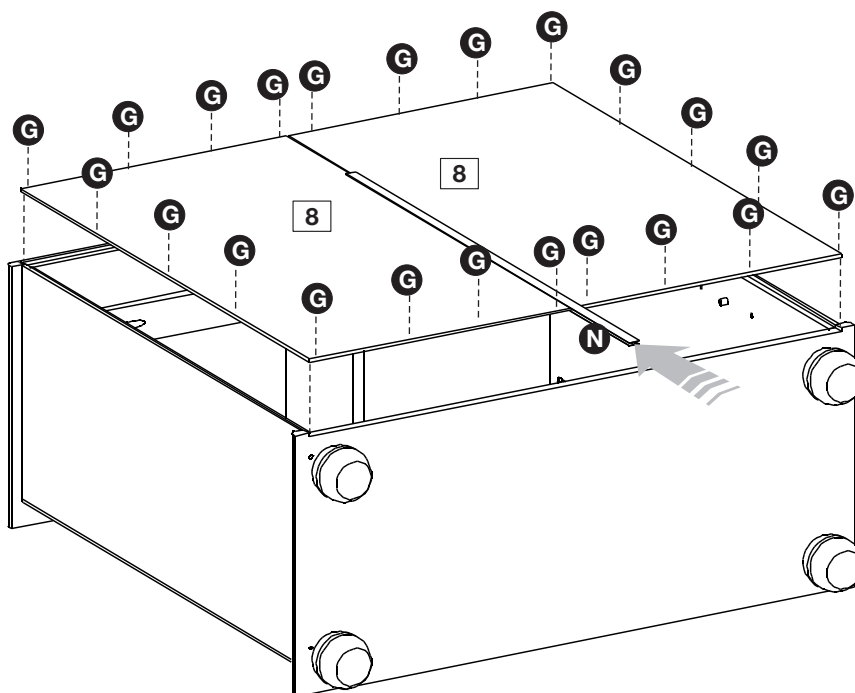
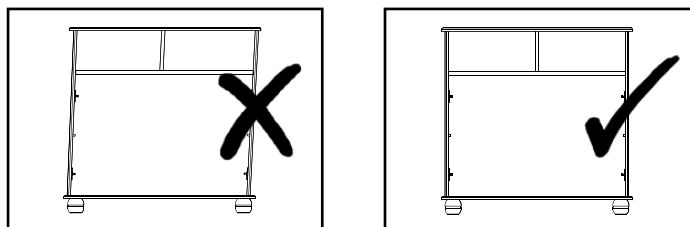
Step 7

Fixing back panel:

Carefully lie down the product with its front facing down.

Fix back panels **8** in the back rebates using nails **G**.

Ensure profile **N** is in place before nailing as shown.



Important:
Cabinet **MUST**
be 'square'
when back is
attached.

Assembly Instructions

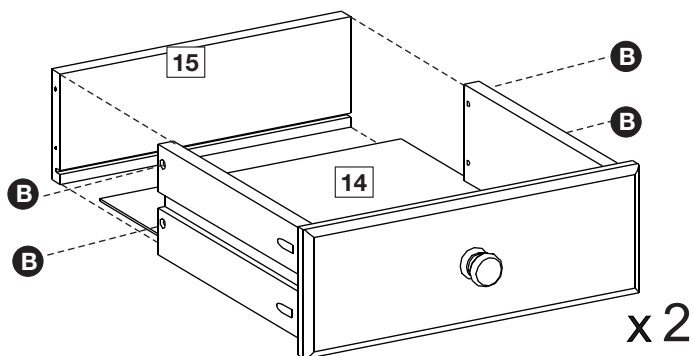
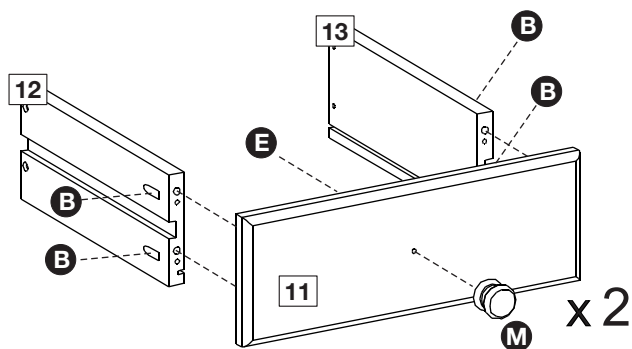
Step 8

Drawer assembly:

Attach drawer sides **12** and **13** in the drawer front **11** using screws **B**.

Fix knob **M** using screws **E**.

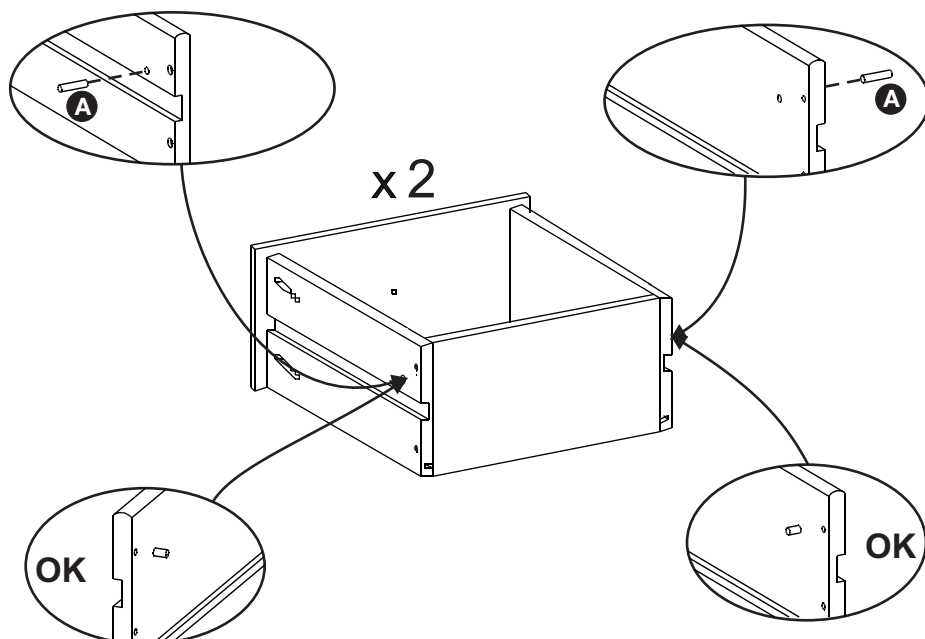
Slide drawer bottom **14** in the fix drawer back **15** using screws **B**.



Step 9

Fix dowels **A** in the drawer sides.

Note: Fix dowel in flush to the external side of the drawer side panel.



Assembly Instructions

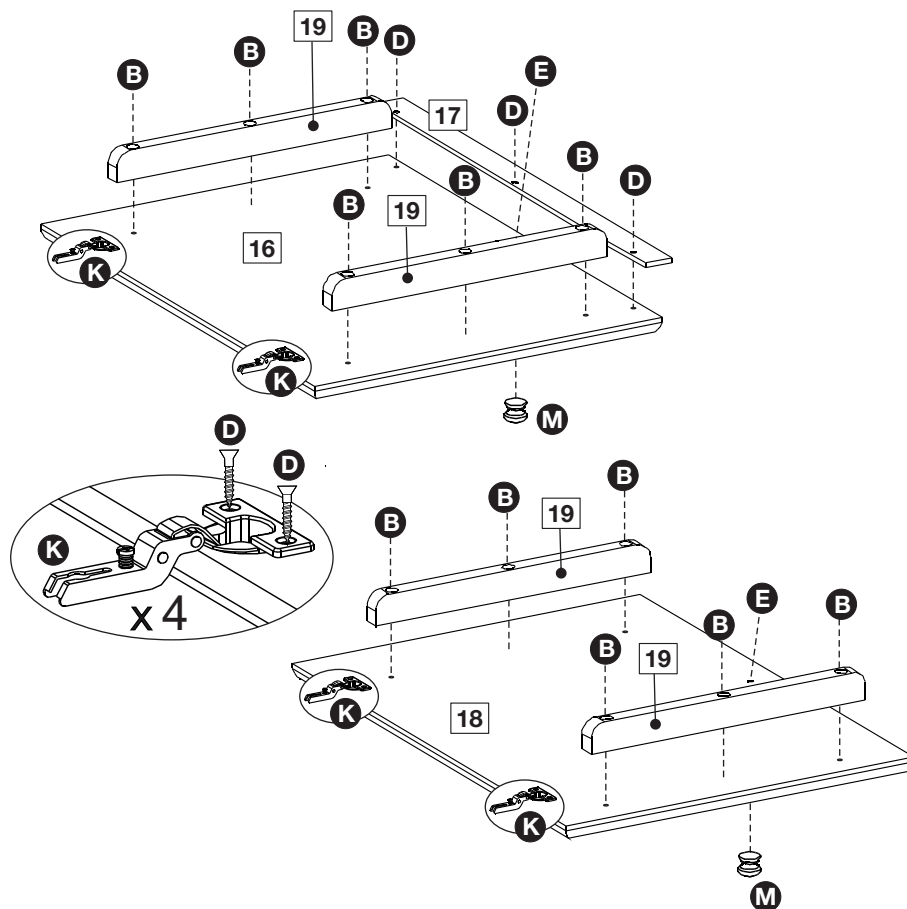
Step 10

Attach reinforcement **19** to the pre drilled holes in the doors **16** and **18** using screws **B**.

Fix hinges **K** using screws **D**.

Secure door knocker **17** to the pre drilled holes in the door **16** using 3 screws **D**.

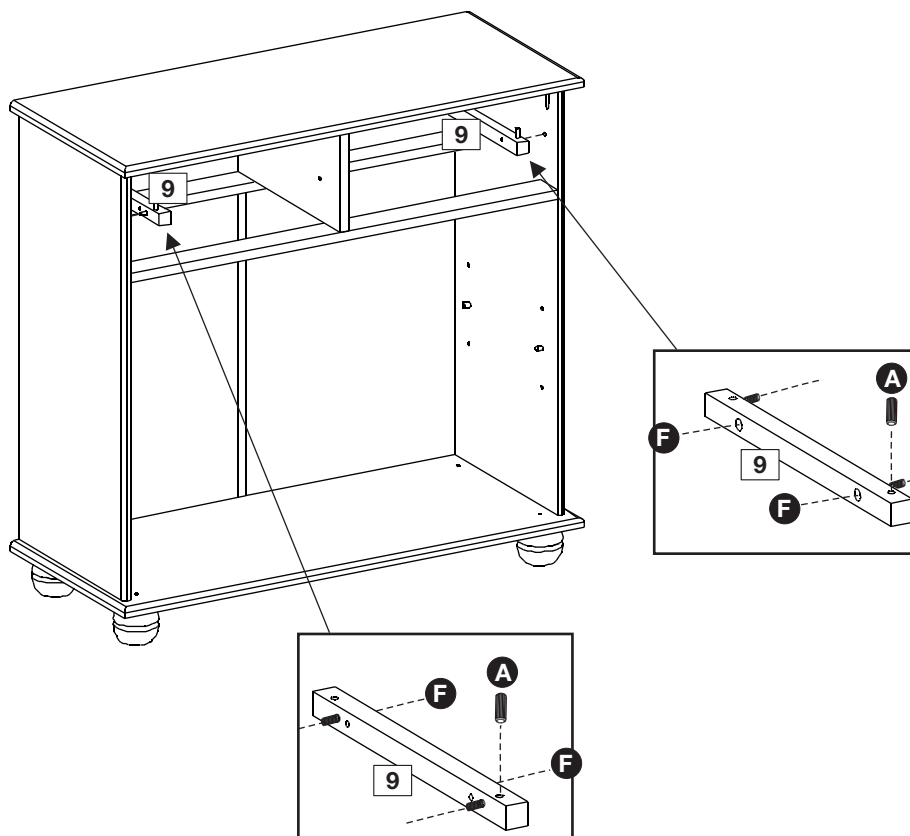
Attach knob **M** using screw **E**.



Step 11

Fix 2 drawer runners **9** to sides. Using screws **F**.

Insert dowels **A** into top of runners as indicated in the diagram.



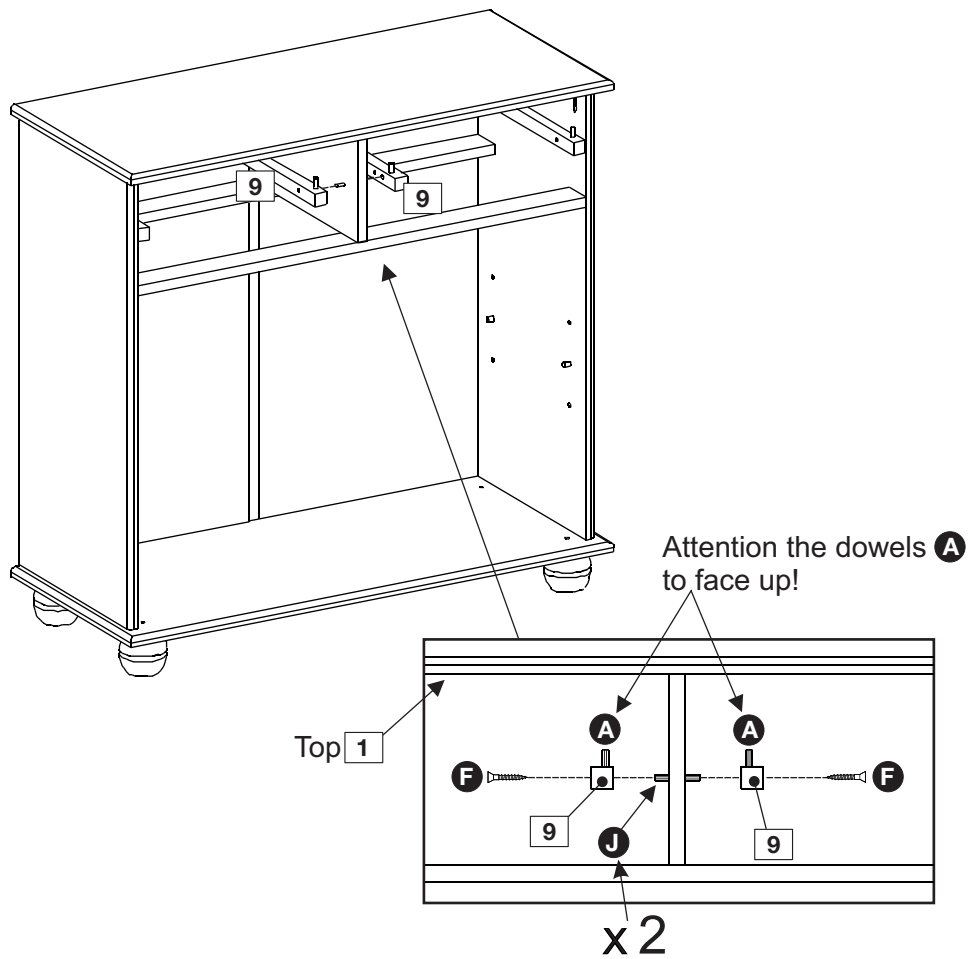
Assembly Instructions

Step 12

Insert 2 dowels **J** to the division as show in the diagram.

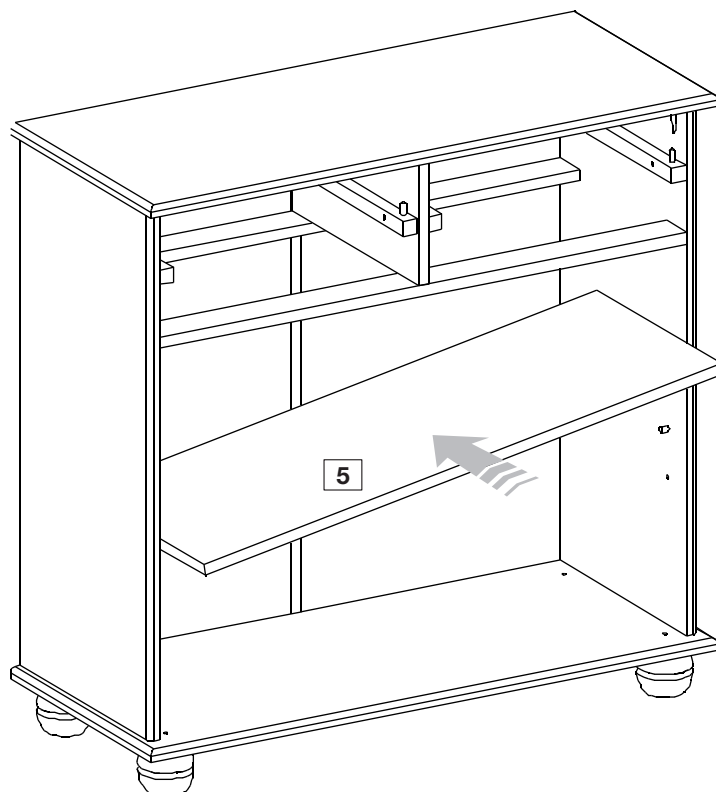
Fix drawer runners **9** to division using screws **F**.

Insert 2 dowels **A** into top of runners **9** as shown.



Step 13

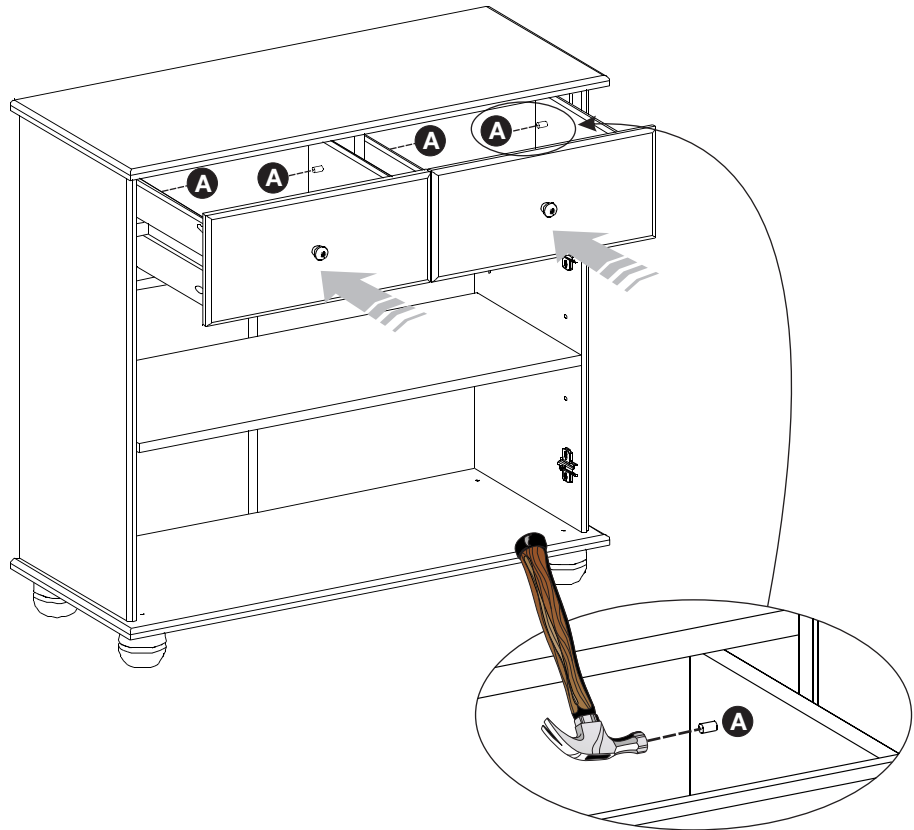
Place the shelf **5** in furniture.



Assembly Instructions

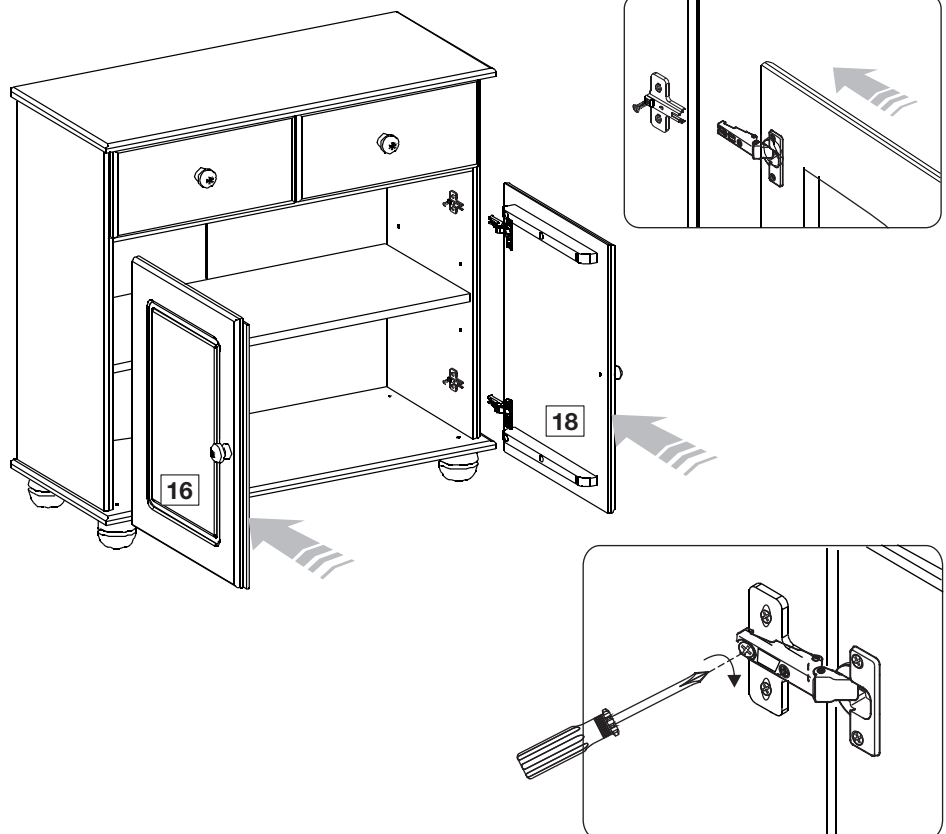
Step 14

Place drawer onto runners and slide past dowels **A** fitted to runners. Then, with a hammer, tap dowel in flush to drawer side, this is a safety catch to stop drawer falling out.



Step 15

Place the doors **16** and **18** in the furniture. Tighten and adjust as shown here.



Continued on next page.

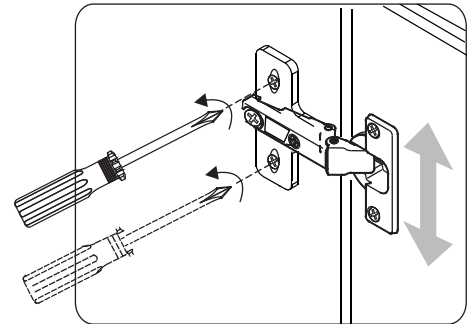
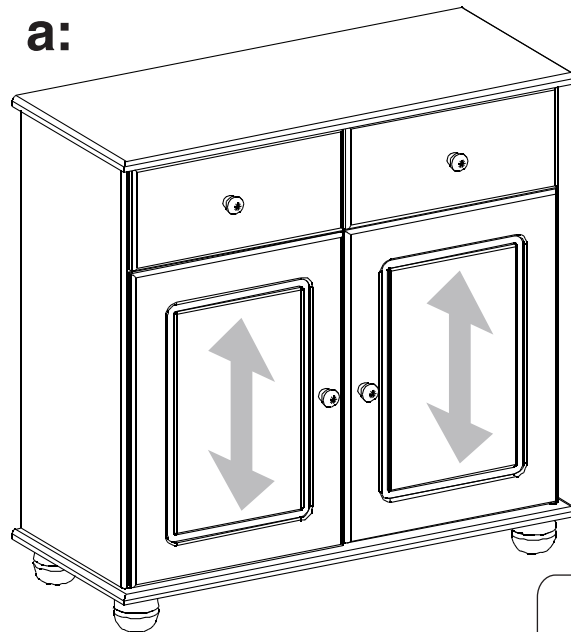
Assembly Instructions

Step 16

Hinge adjustment:

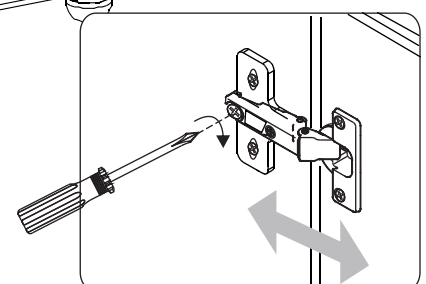
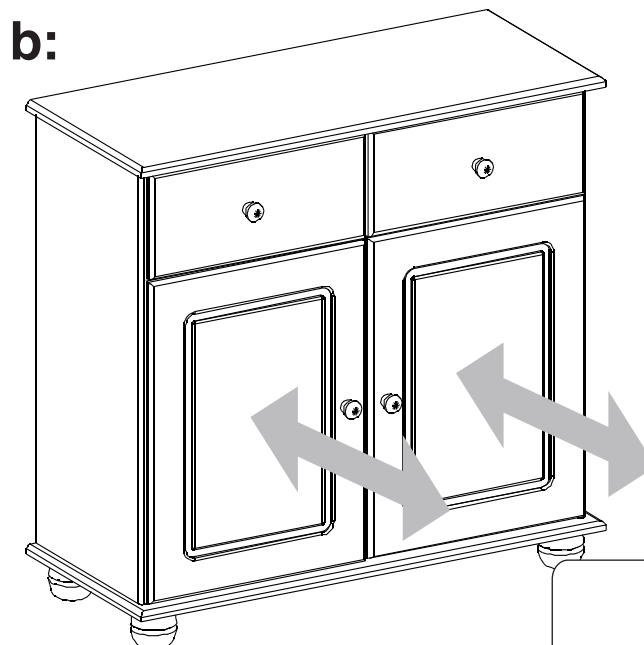
a: To move doors up or down: loosen screws shown and move doors to suit.

Re-tighten screws.



b: To move doors in or out: loosen screw shown and move doors to suit.

Re-tighten screws.



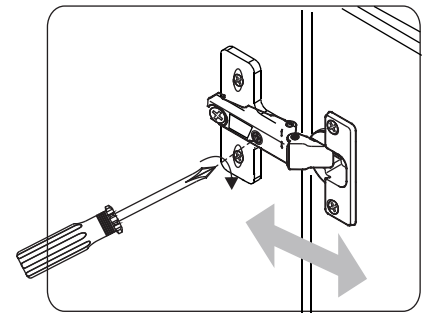
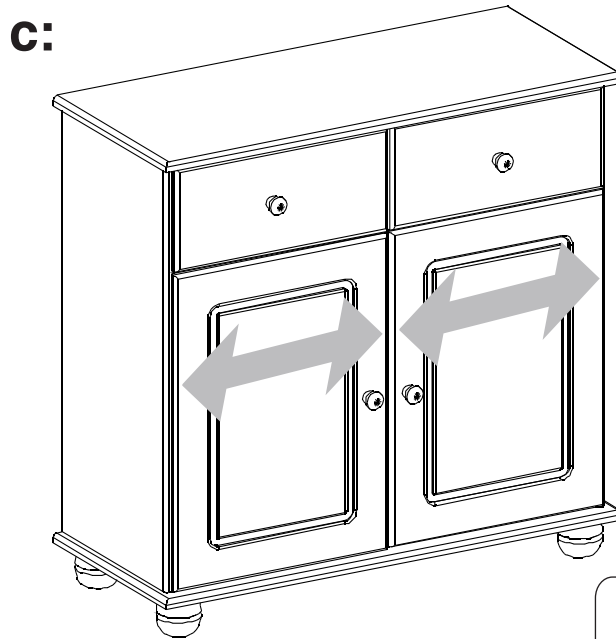
Continued on next page.

Assembly Instructions

Step 17

c: To move doors left or right: loosen screw shown and move doors to suit.

Re-tighten screws.



Step 18

Fixing to wall

It is recommended that the furniture is fixed to a wall.

Fix wall strap **H** to top of furniture using washer **I** and screw **D**.

With help, move furniture into position.



Lift with care.

Mark fixing hole on wall and remove furniture. Drill hole and insert wall plug (not supplied)



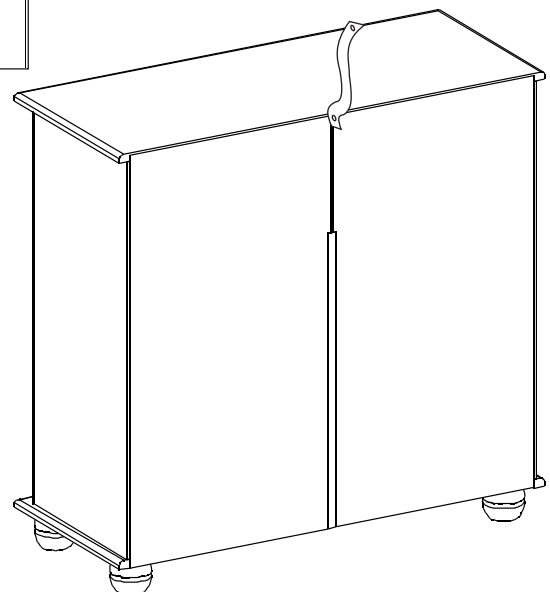
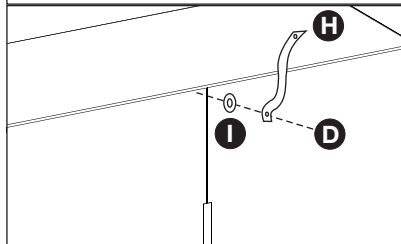
Warning:

Before drilling check wall for hidden pipes and cables.

Reposition furniture and fix wall strap using washer **I** and suitable screw.

Assembly is complete.

Note: Wall plugs not supplied. The correct type of fixing must be used for your wall, seek professional advice if in doubt.



If you need help or have damaged or missing parts, call the **Customer Helpline: 08456 400 800**

A Guide to - Wall Mounting & Fixings

Important note:

If plastic wall plugs are supplied with your product:



- these are only suitable for use in masonry walls.

If you are in any doubt about the correct wall plugs for your wall, seek professional advice.


Failure of the product due to using incorrect fixings is the responsibility of the installer.



Important: When drilling into walls always check that there are no hidden wires or pipes etc.

Make sure that the screws and wall plugs being used are suitable for supporting your unit. Consult a qualified tradesperson if you are unsure.

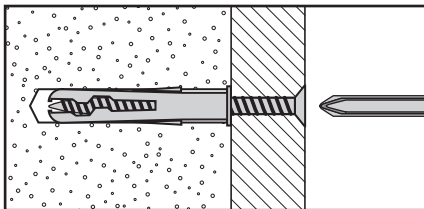


- 1: General rule:  Always use a larger screw and wall plug if you are not sure.
- 2: Ensure you use the recommended drill bit to match the wall plug and hole size.
- 3: Ensure you drill the hole horizontally, do not force the drill or enlarge the hole.
- 4: Take extra care when drilling high walls, ceilings and ceramic tiles. Ensure wall plugs are inserted beyond the thickness of the ceramic tiles to avoid the tiles splitting or cracking.
- 5: Ensure wall plugs are well fitted and are a tight fit in the drilled hole.

Types of walls

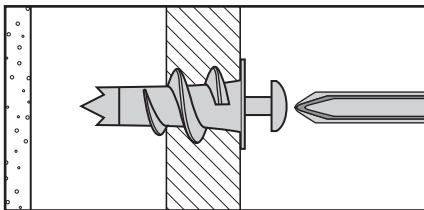
You can use one of the following types of wall plug if your walls are made of brick, breeze block, concrete, stone or wood.

No.1 "General Purpose" wall plug



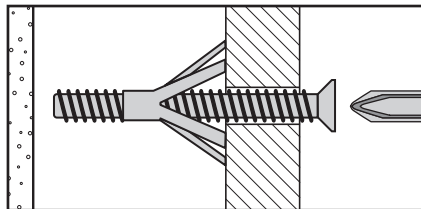
Generally aerated blocks should not be used to support heavy loads, use a specialist fitting in this case. For light loads, general purpose wall plugs can be used.

No.2 "Plasterboard" wall plug



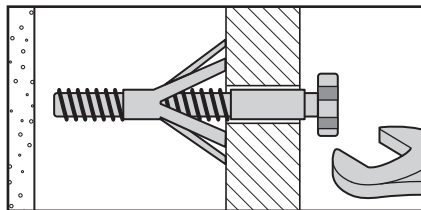
For use when attaching light loads on to plasterboard partitions.

No.3 "Cavity Fixing" wall plug



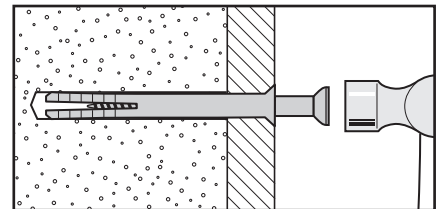
For use with plasterboard partitions or hollow wooden doors.

No.4 "Cavity Fixing-Heavy Duty" wall plug



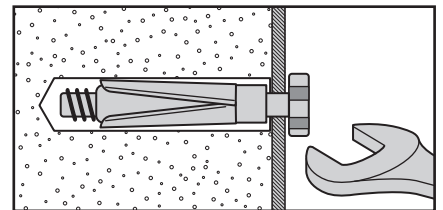
For use when fitting or supporting heavy loads such as shelving, wall cabinets and coat racks.

No.5 "Hammer Fixing" wall plug



For use with walls stuck with plasterboard. The hammer fixing allows it to be fixed to the wall rather than the plasterboard. Always check the fixing is secure to the retaining wall.

No.6 "Shield Anchor" wall plug Heavy loads



For use with heavier loads such as TV & HiFi speakers and satellite dishes etc.



Care & Maintenance

Safety: Always check the fitting and location to ensure your safety in and around the home.

Fitting: From time to time check the fitting to ensure the wall plugs or screws do not become loose.