

Rio Sideboard

Assembly Instructions - Please keep for future reference

614 1499



Dimensions

Width - 120cm

Depth - 35cm

Height - 80cm

Important – Please read these instructions fully before starting assembly

If you need help or have damaged or missing parts, call the Customer Helpline: 08456 400 800



Safety and Care Advice

Important – Please read these instructions fully before starting assembly

- Check you have all the components and tools listed on pages 3 and 4.
- Remove all fittings from the plastic bags and separate them into their groups.
- Keep children and animals away from the work area, small parts could choke if swallowed.
- Make sure you have enough space to layout the parts before starting.

- Do not stand or put weight on the product, this could cause damage.
- Assemble the item as close to its final position (in the same room) as possible.
- Assemble on a soft level surface to avoid damaging the unit or your floor.
- Parts of the assembly will be easier with 2 people.

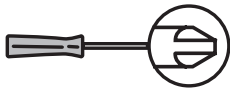


- We do not recommend the use of power drill/drivers for inserting screws, as this could damage the unit. Only use hand screwdrivers.
- Dispose of all packaging carefully and responsibly.

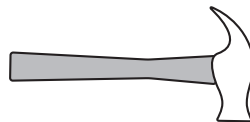
care and maintenance

- Only clean using a damp cloth and mild detergent, do not use bleach or abrasive cleaners.
- From time to time check that there are no loose screws on this unit.
- This product should not be discarded with household waste. Take to your local authority waste disposal centre.
- Avoid over exposure to direct sunlight, this can cause slight discolouration to the product surface.

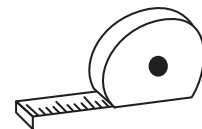
Tools required



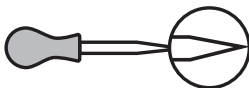
Cross slot screwdriver



Hammer



Tape measure

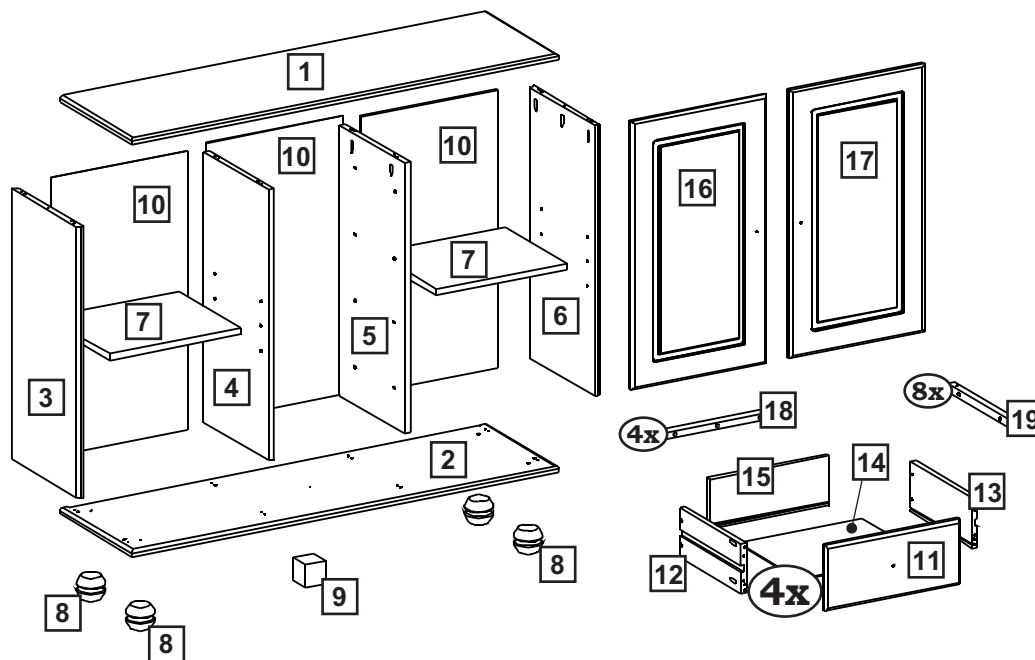


Bradawl

The next page can be cut out and used as reference throughout the assembly.
Keep this page with these instructions for future reference.

Components - Panels - Exploded View

Please check you have all the panels listed below





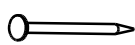



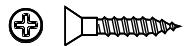




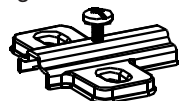

Plan view of panels on page 4

Components - Fittings

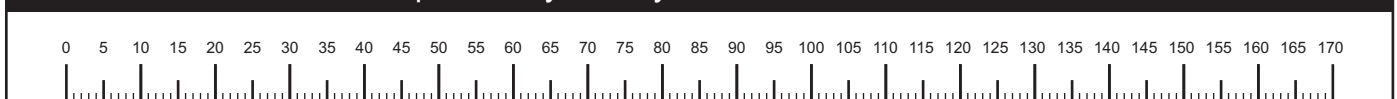
If you have damaged or missing components, call the **Customer Helpline 08456 400 800**

Please check you have all the fittings listed below

Note: The quantities below are the correct amount to complete the assembly. In some cases more fittings may be supplied than are required.

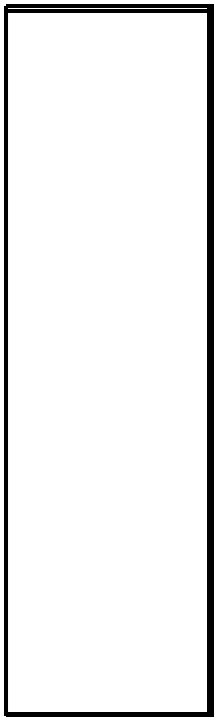
<p>A 54 pcs. Screw - Ø4x30mm</p> 	<p>B 64 pcs. Dowel - Ø6x25mm</p> 	<p>C 51 pcs. Nail 8x8mm</p> 
<p>D 08 pcs. Shelf Support</p> 	<p>E 01 pcs. Wall Strap</p> 	<p>F 01 pcs. Washer</p> 
<p>G 01 pcs. Screw - Ø3,5x16mm</p> 	<p>H 19 pcs. Screw - Ø4,0x40mm</p> 	<p>I 16 pcs. Screw - Ø3,5 x 14mm</p> 
<p>J 16 pcs. Screw - Ø3,5 x 30mm</p> 	<p>K 04 pcs. Hinge Ø 26 mm</p> 	<p>L 04 pcs. Hinge Plate</p> 
<p>M 06 pcs. Knob</p> 		

Ruler - Use this ruler to help correctly identify the screws

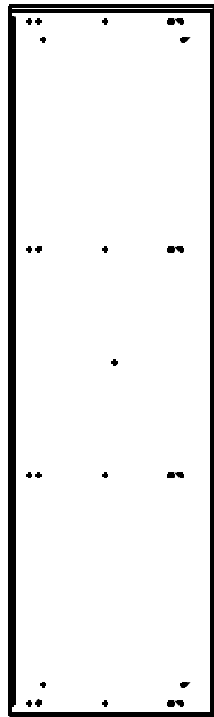


Components - Panels - Plan View

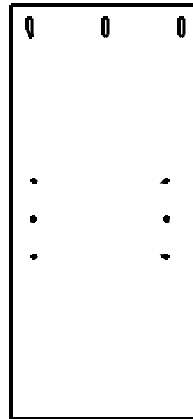
Please check you have all the panels listed below



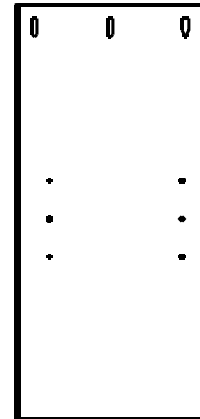
1
Top (120 x 35cm)



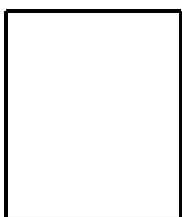
2
Base (120 x 35cm)



3
Left Side (71 x 32cm)



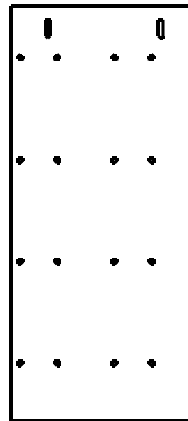
6
Right Side (71 x 32cm)



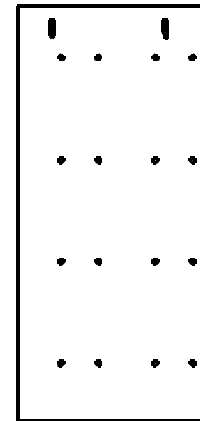
7
Shelf x 2 (36.8 x 30.6cm)



14
Drawer bottom x 4 (32.7 x 29.7cm)



4
Left Division (71 x 31.5cm)



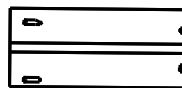
5
Right Division (71 x 31.5cm)



9
Central Feet (6 x 6cm)



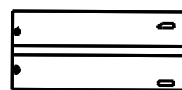
8
Feet x 4 (6 x 6.5cm)



13
Right Side of Drawer x 4 (30 x 13cm)



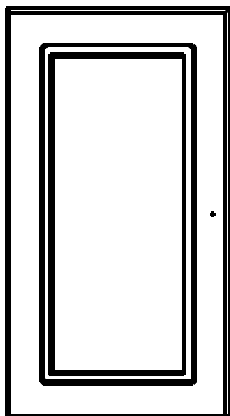
18
Reinforcement x 4 (30 x 3cm)



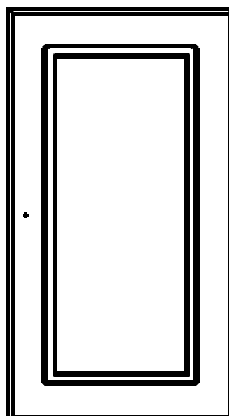
12
Left Side of Drawer x 4 (30 x 13cm)



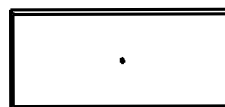
19
Drawer Runners x 8 (30 x 2cm)



16
Left Door (70.5 x 38cm)



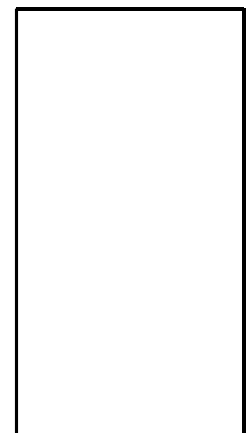
16
Right Door (70.5 x 38cm)



11
Drawer Front x 4 (38.2 x 17.3cm)



15
Back of Drawer x 4 (31.5 x 12.5cm)

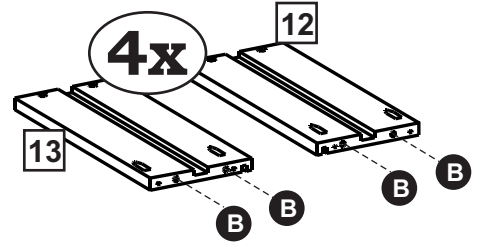
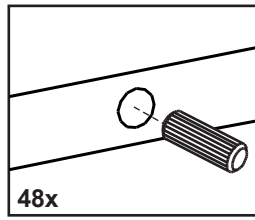


10
Back Panel x 3 (73.2 x 38.6cm)

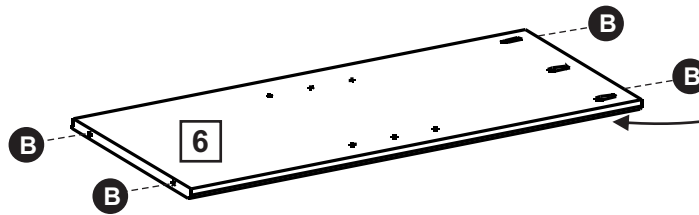
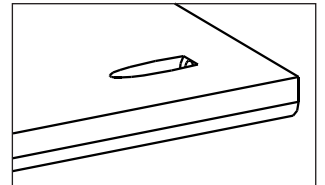
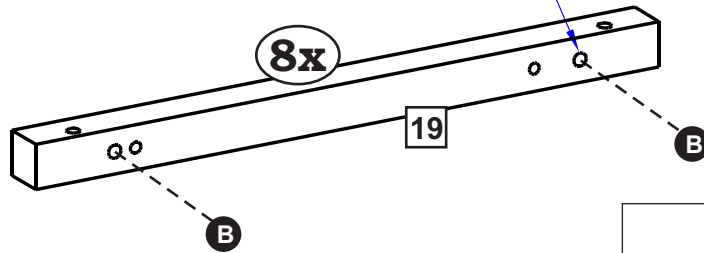
Assembly Instructions

Step 1

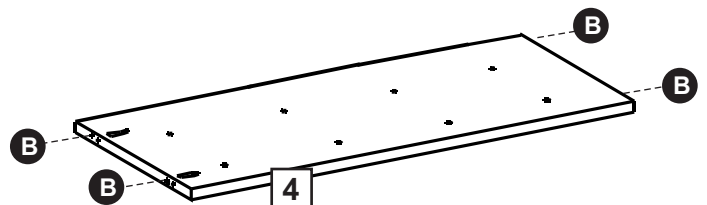
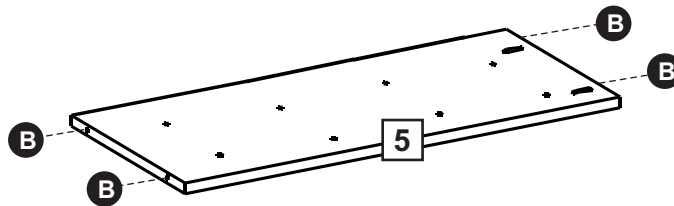
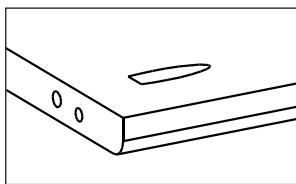
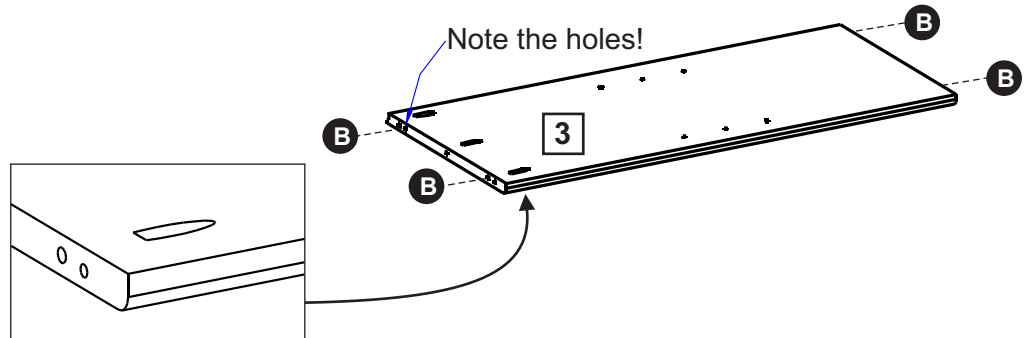
Push dowels **B** in the indicated parts.



Note the holes!



Note the holes!



Assembly Instructions

Step 2

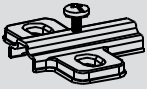
Fix hinges **L** on the sides **3**, **6** using fittings **I**, and shelf supports **D**. As shown.

I



X 8

L

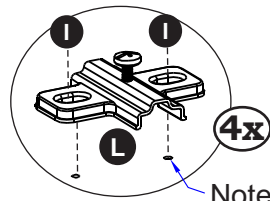


X 4

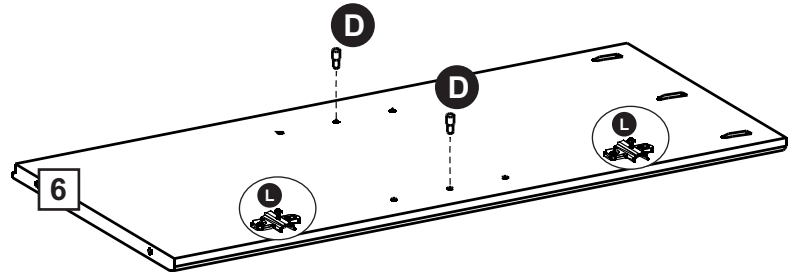
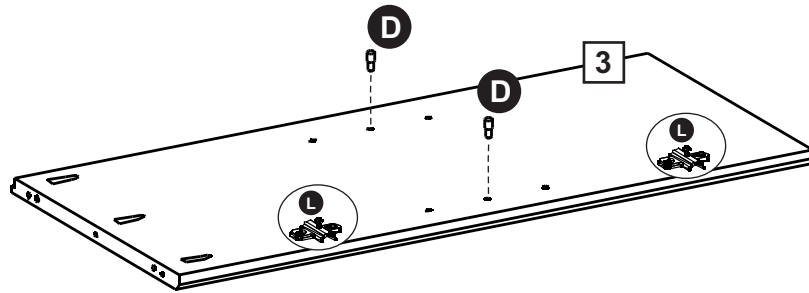
D



X 4



Note the holes!



Step 3

Fix drawer rails **19** using fittings **J** and the supports **D** of the shelf in parts **5**, **4**.

Note: Only fix bottom 3 rails **19**.

D

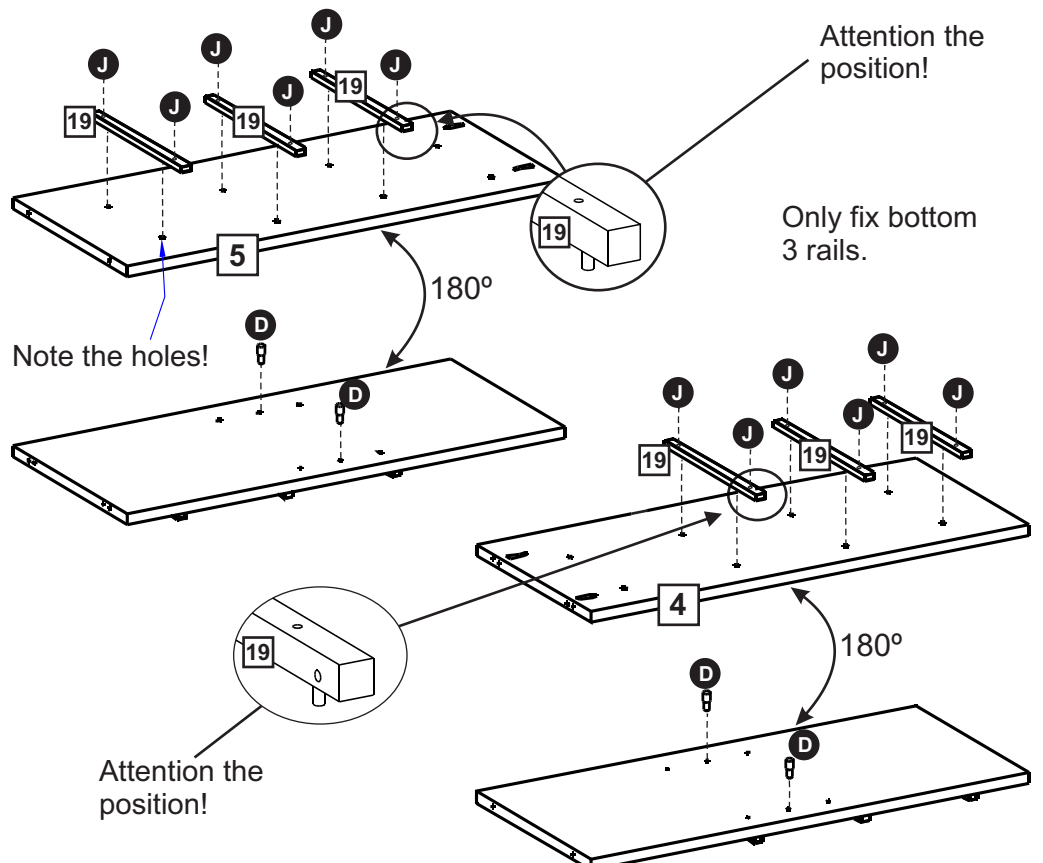


X 4

J



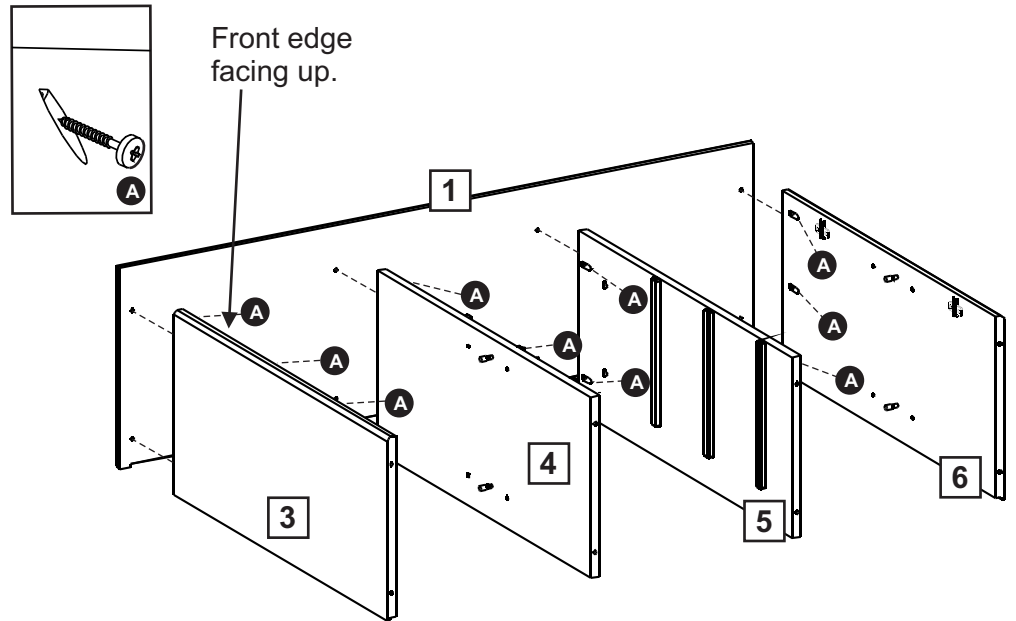
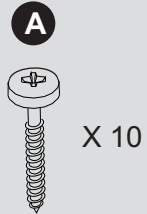
X 12



Assembly Instructions

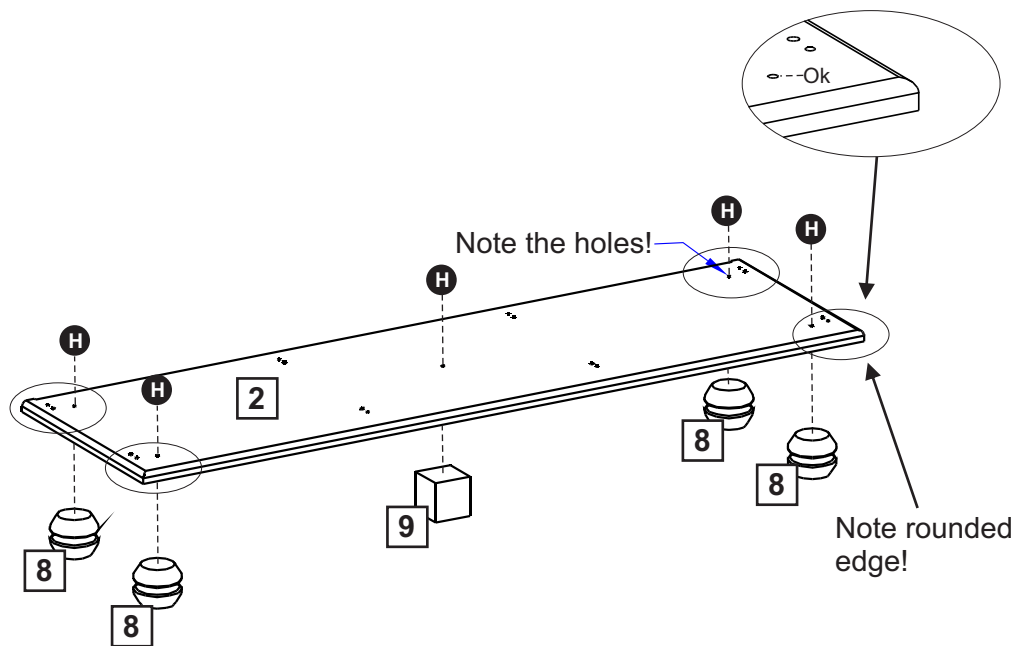
Step 4

Fix the sides **3** and **6**, and divisions **4** and **5** in top **1**. Using fittings **A**.



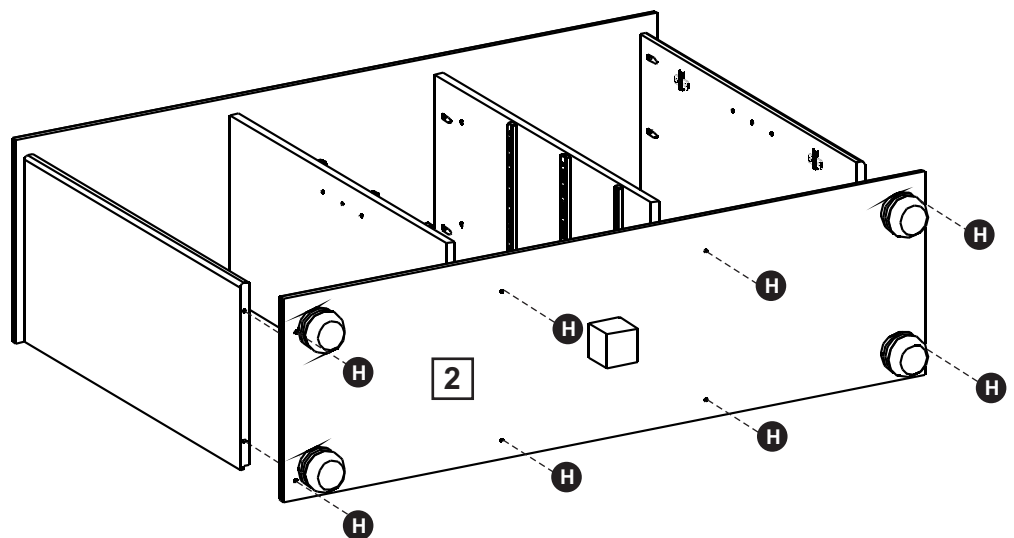
Step 5

Assemble the feet **8**, **9** in the base **2**. Using fittings **H**.



Step 6

Assemble the base **2**, in furniture. Using fittings **H**.

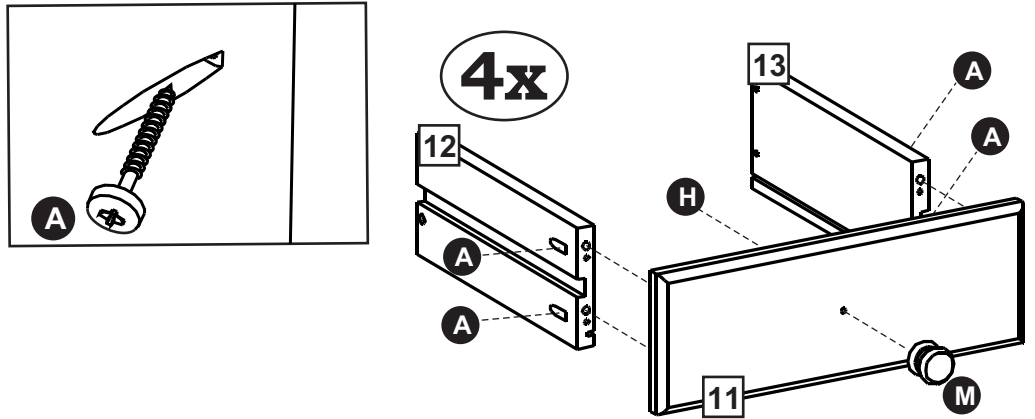


Assembly Instructions

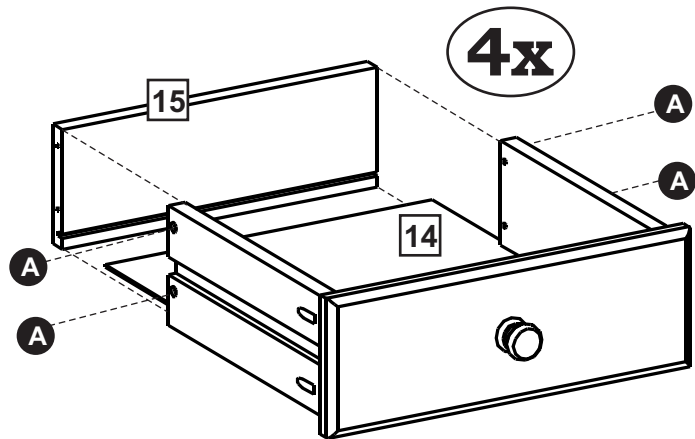
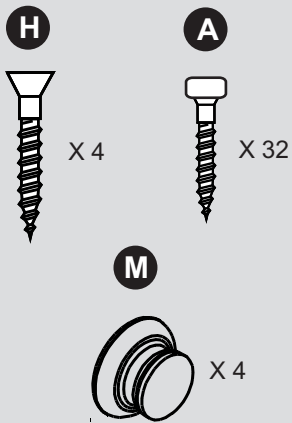
Step 7

Assemble the Drawers

Assemble the drawer sides
12, 13 in the drawer front 11.
Using fittings A. Fix knob M
using screw H.



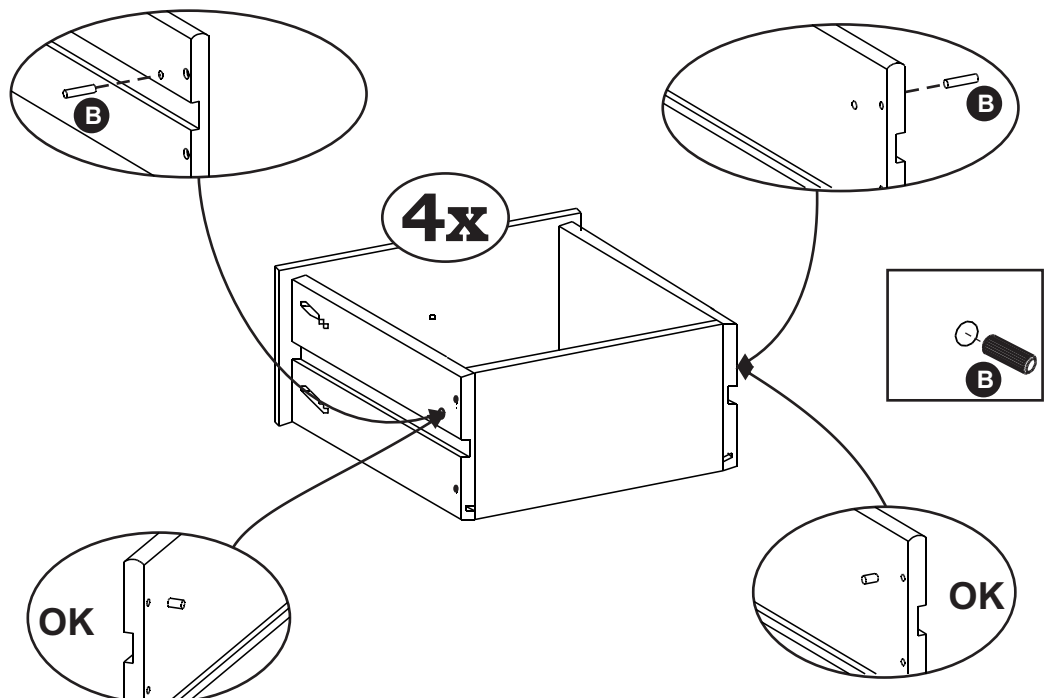
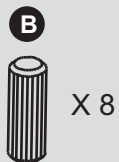
Slide the Drawer bottom 14
in and then fix drawer back 15
in the drawers. Using screw A



Step 8

Fix dowels B in the drawer
sides.

Note: Fix dowel in flush to
the external side of the
drawer side panel.



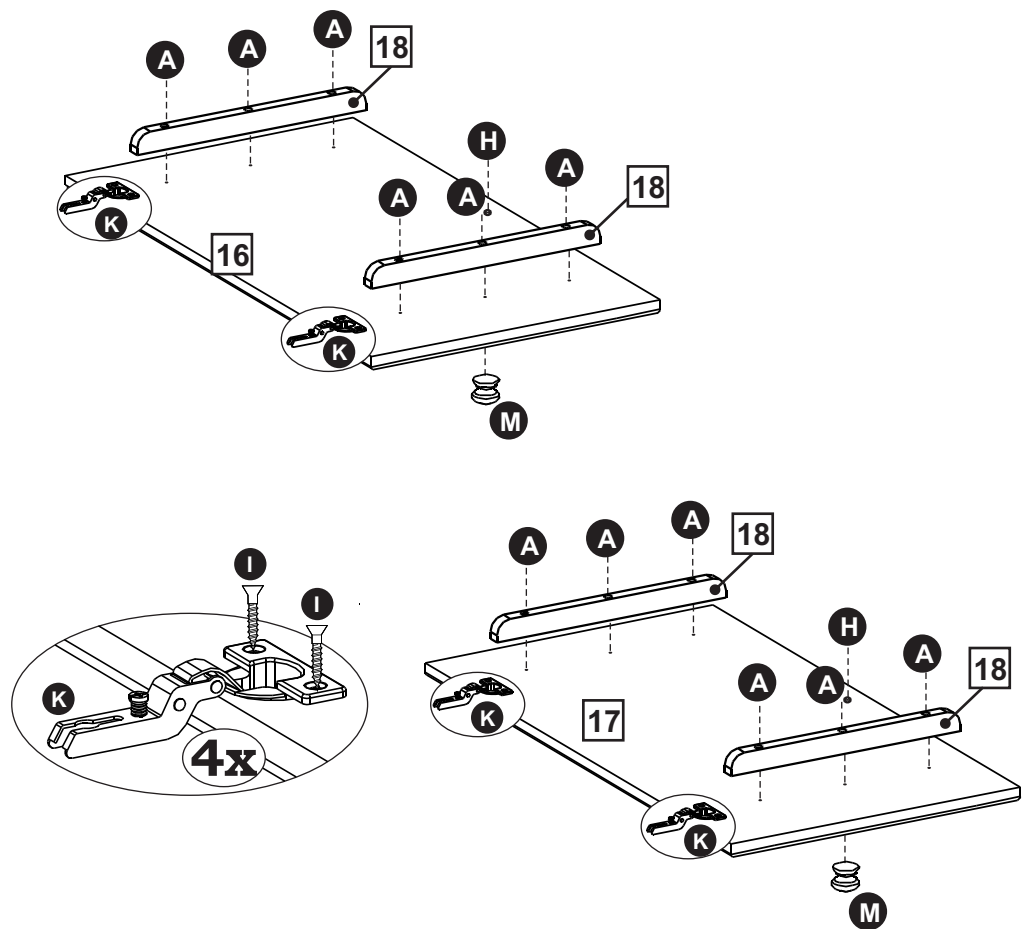
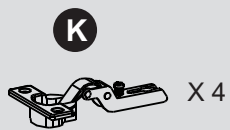
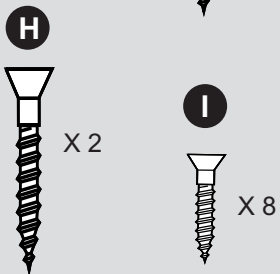
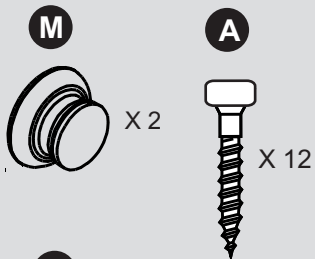
Assembly Instructions

Step 9

Assemble the doors **16**, **17** with parts **18** in the pre drilled holes using fittings **A**.

Fix hinges **K** using fittings **I**

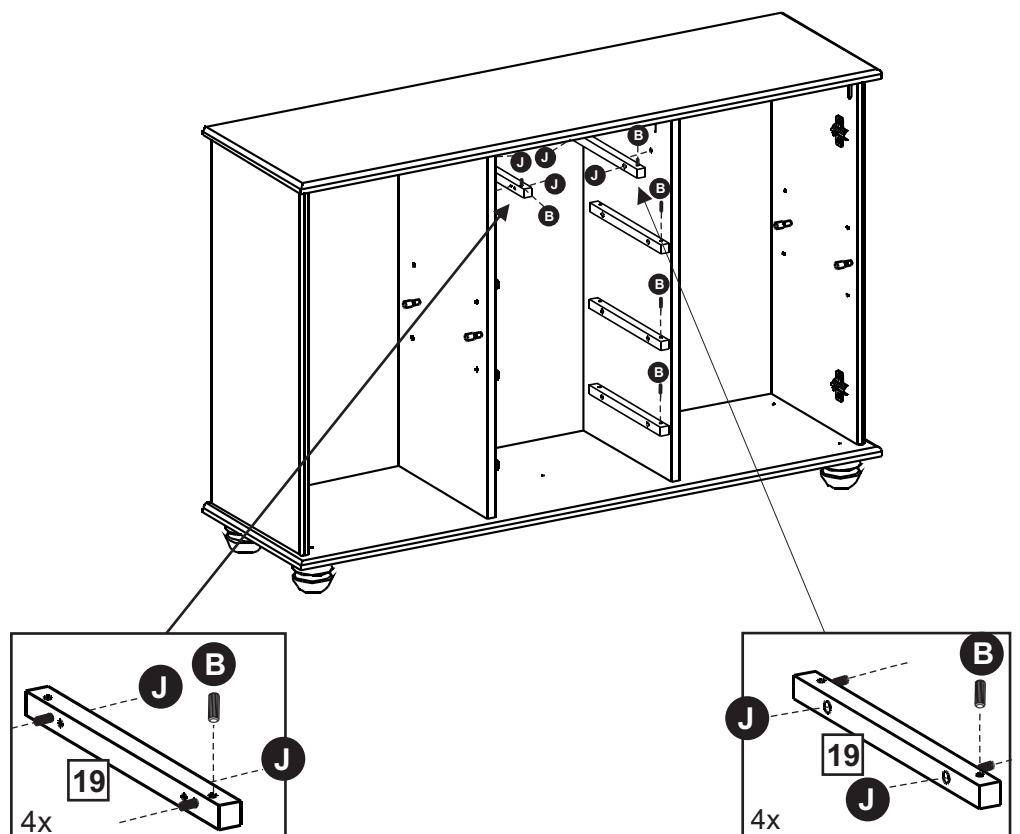
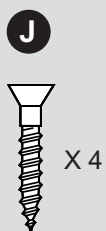
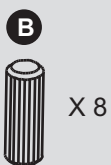
Attach knob **M** using screw **H**.



Step 10

Fix final 2 drawer runners **19** in furniture. Using screw **J**.

Fix dowels **B**, in parts **19** as indicated.



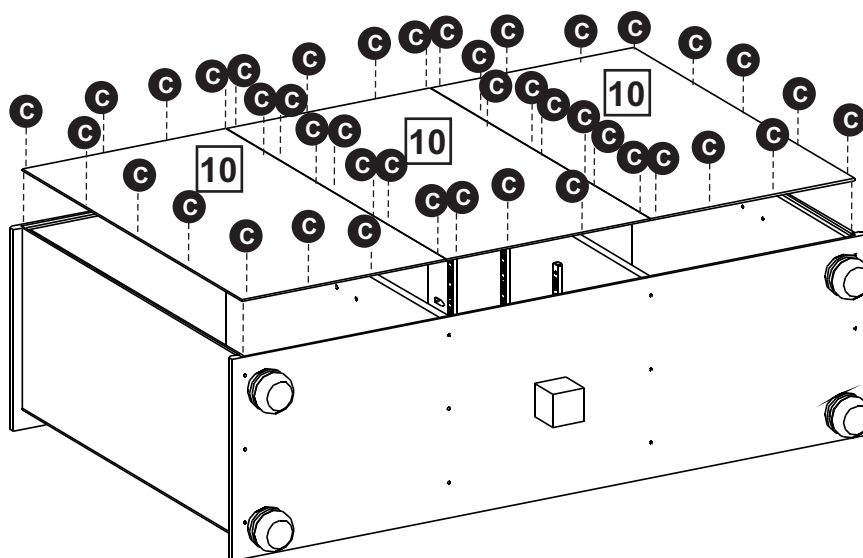
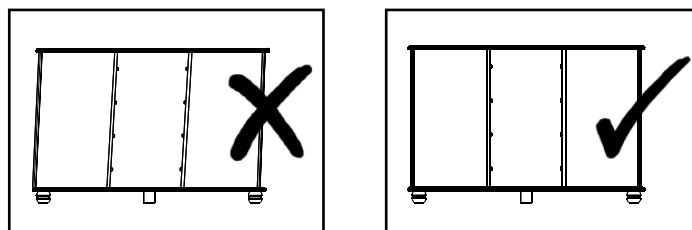
Assembly Instructions

Step 11

Nail the back panel **10** in the back rebate.
Ensure all parts **10** are in place before nailing **C**.



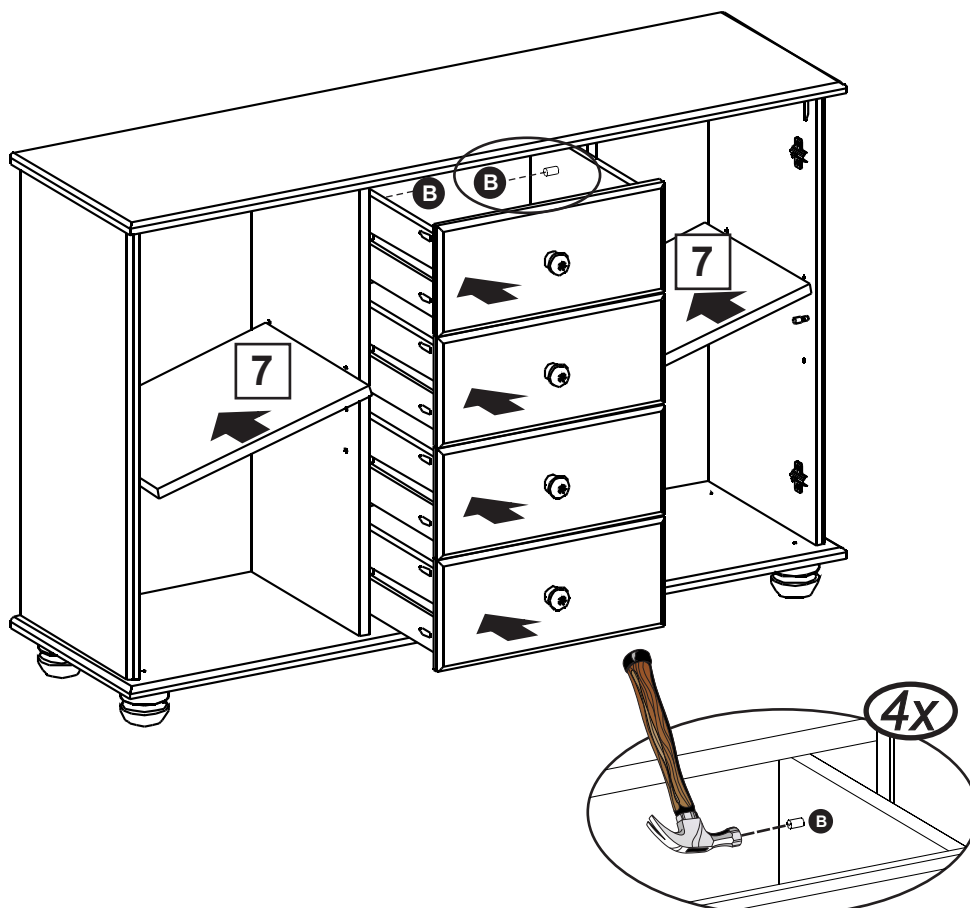
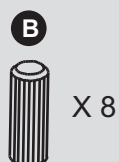
Important:
Cabinet **MUST**
be 'square'
when back is
attached.



Step 12

Place the shelves **7** in to place.

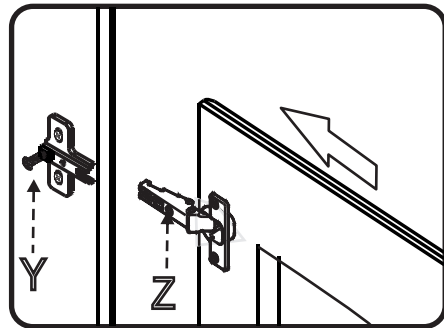
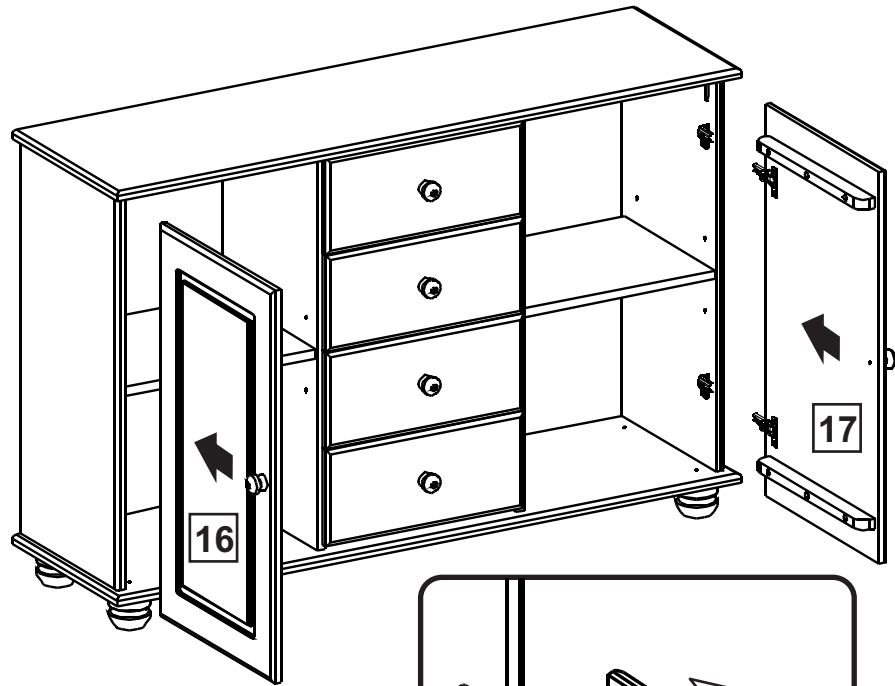
Place drawer in, past dowel **B**
on the runner.
Then, with hammer, tap dowel
in flush to drawer side, this is
a safety catch to stop drawer
falling out.



Assembly Instructions

Step 13

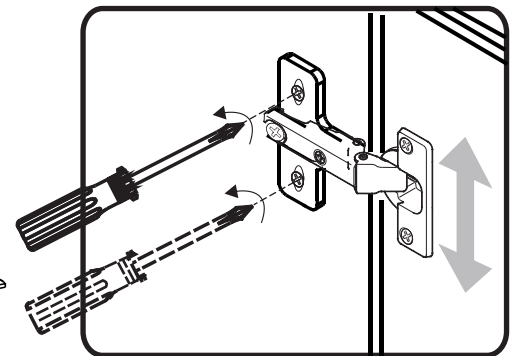
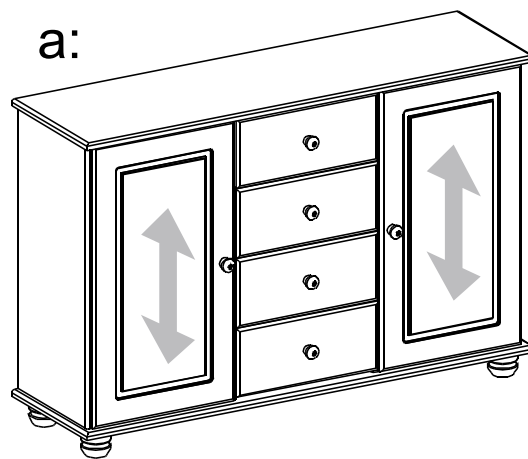
Place the doors **16** and **17** in the furniture. Tighten and adjust as shown here.



Hinge adjustment

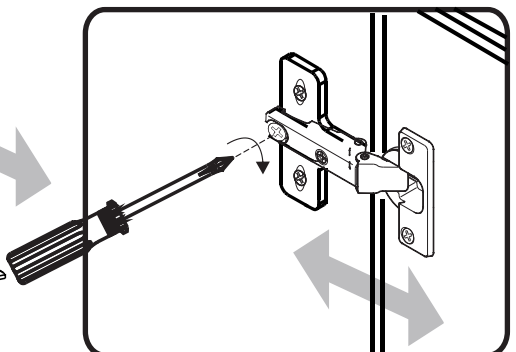
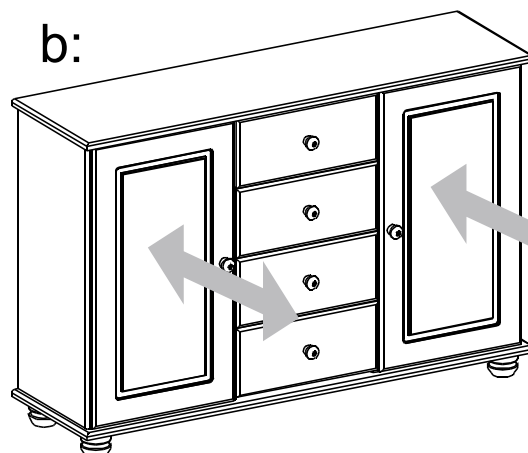
a: To move doors up or down: loosen screws shown and move doors to suit.

Re-tighten screws.



b: To move doors in or out: loosen screw shown and move doors to suit.

Re-tighten screws.



Continued on next page.

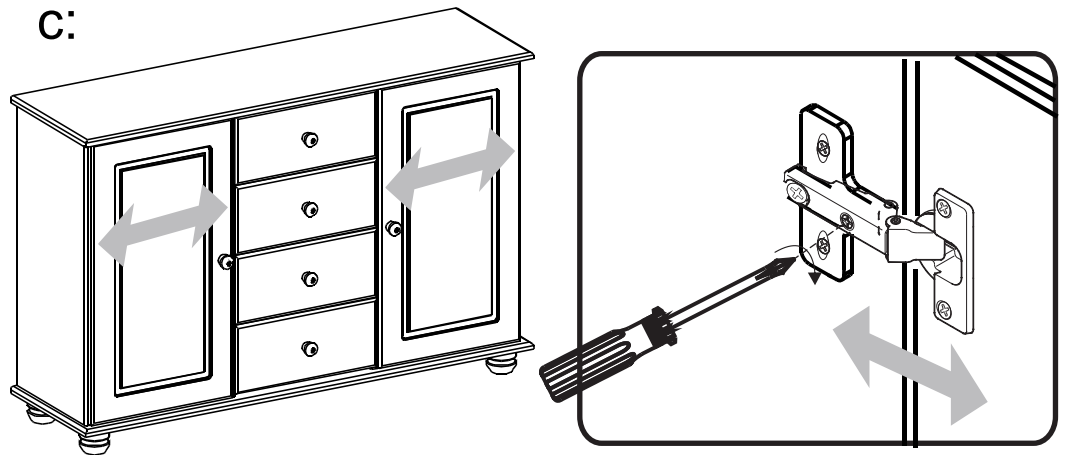
Assembly Instructions

Step 14 - continued

c: To move doors left or right: loosen screw shown and move doors to suit.

Re-tighten screws.

C:

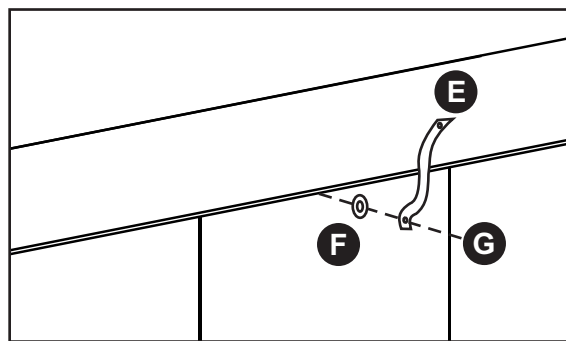


Step 15

Fix the Furniture in the wall.

The manufacturer strongly recommends to secure the unit to the wall. Please use fittings **G**, **E**, **F** as shown.

The screw to affix the strap to the wall is not included, please assess the type of your wall and purchase the correct fittings.



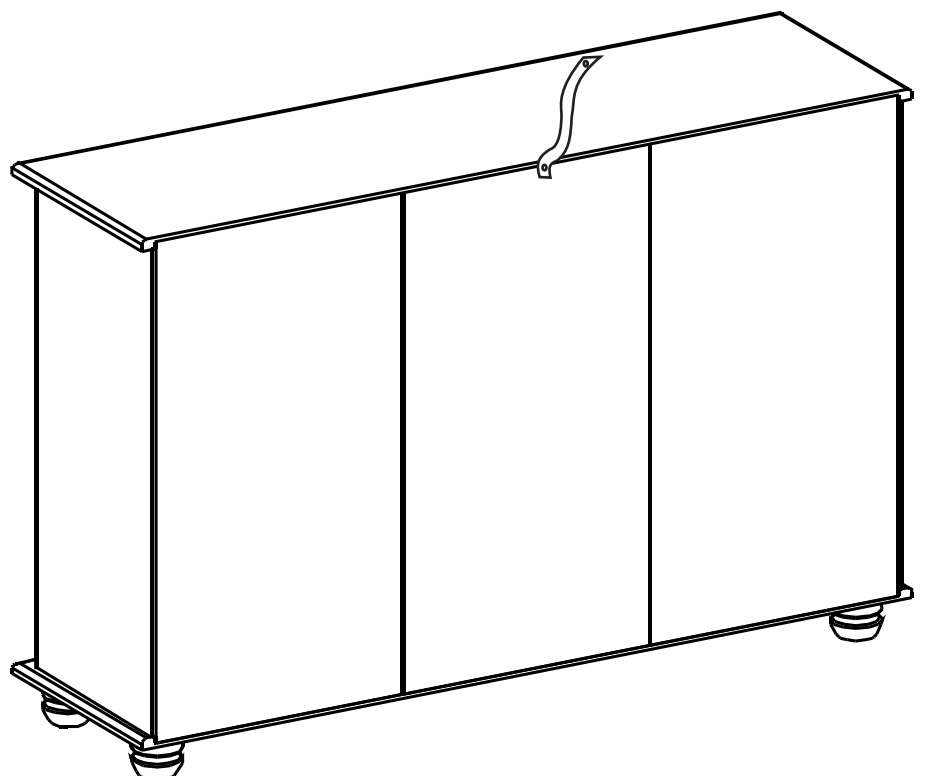
G



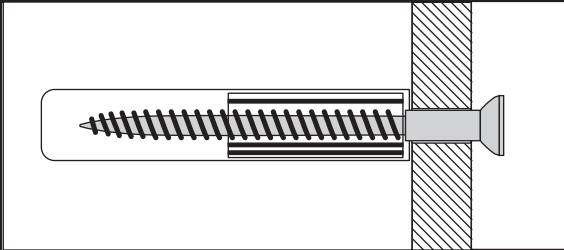
F



E




Wall Mounting & Fixings



IMPORTANT:

When drilling into walls always check that there are no hidden wires or pipes etc. Make sure that the screws and wall plugs being used are suitable for supporting your unit. Consult a qualified tradesperson if you are unsure.

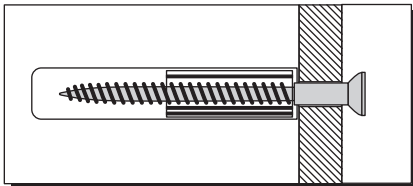
HINTS:

- 1) General Rule  Always use a larger screw and wall plug if you are not sure.
- 2) Ensure you use the recommended drill bit to match the wall plug and hole size.
- 3) Ensure you drill the hole horizontally, do not force the drill or enlarge the hole.
- 4) Take extra care when drilling high walls, ceilings and ceramic tiles. Ensure the plug is fitting below the ceramic tile to avoid splitting or cracking.
- 5) Ensure wall plugs are well fitted and are a tight fit in the drilled hole.

Types Of Walls

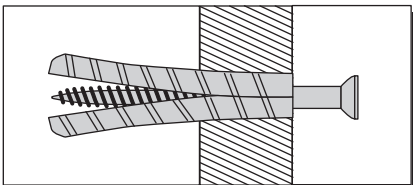
You can use one of the following types of wall plug if your walls are made of brick, breeze block, concrete, stone, wood or plaster board.

**No.1 "Standard" Wall Plug
General Wall Materials**



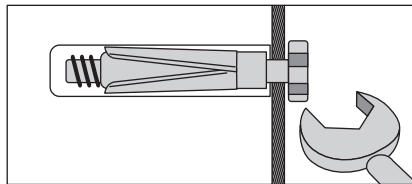
These come in various sizes and are made from plastic or sometimes wood fiber.

**No.2 "General Purpose" Wall Plug
Aerated / Breeze Block**



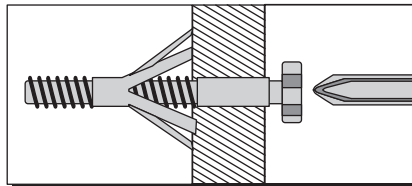
Generally aerated blocks should not be used to support heavy loads, use a specialist fitting in this case. For light loads, a General Purpose Plug can be used.

**No.3 "Shield Anchor" Wall Plug
Heavy Loads**



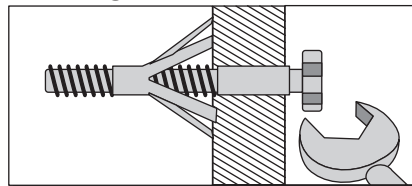
For use with heavier loads such as TV & HiFi Speakers and Satellite Dishes etc.

No.4 "Cavity Fixing" Wall Plug



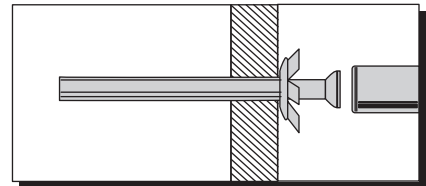
For use with plaster board partitions or hollow wooden doors.

No.5 "Cavity Fixing - Heavy Duty" Wall Plug



For use when fitting or supporting heavy loads such as shelving, wall cabinets, coat racks.

No.6 "Hammer Fixing" Wall Plug



For use with walls stuck with plaster board. The hammer fixing allows it to be fixed to the wall rather than the plaster board. Always check the fixing is secure to the retaining wall.

CARE & MAINTENANCE

 **SAFETY**

Always check the fitting and location to ensure your safety in and around the home.

 **FITTING**

From time to time check the fitting to ensure the wall plugs or screws do not become loose.