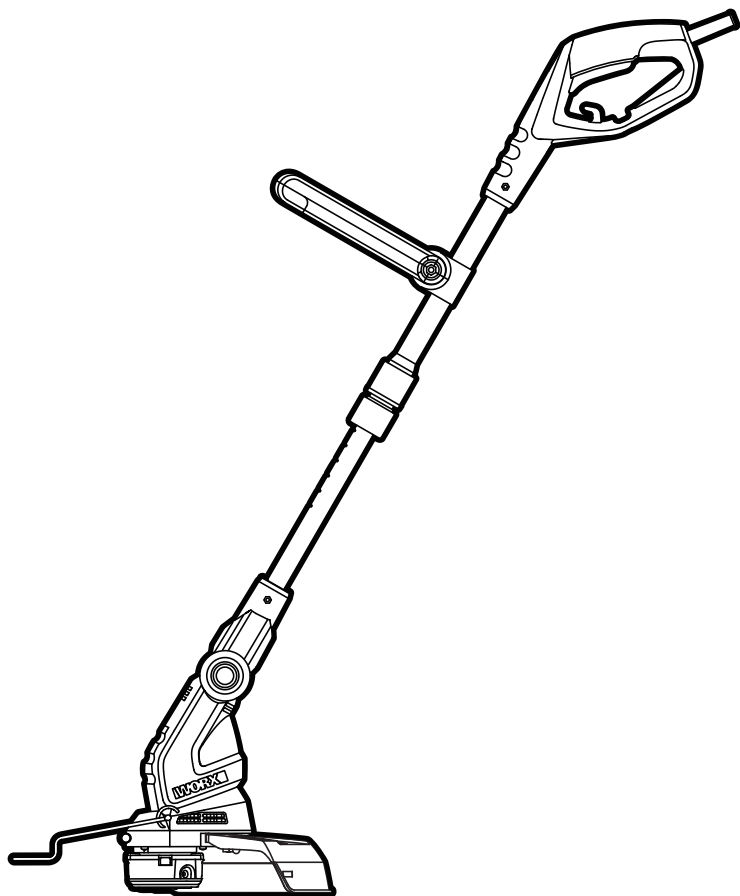


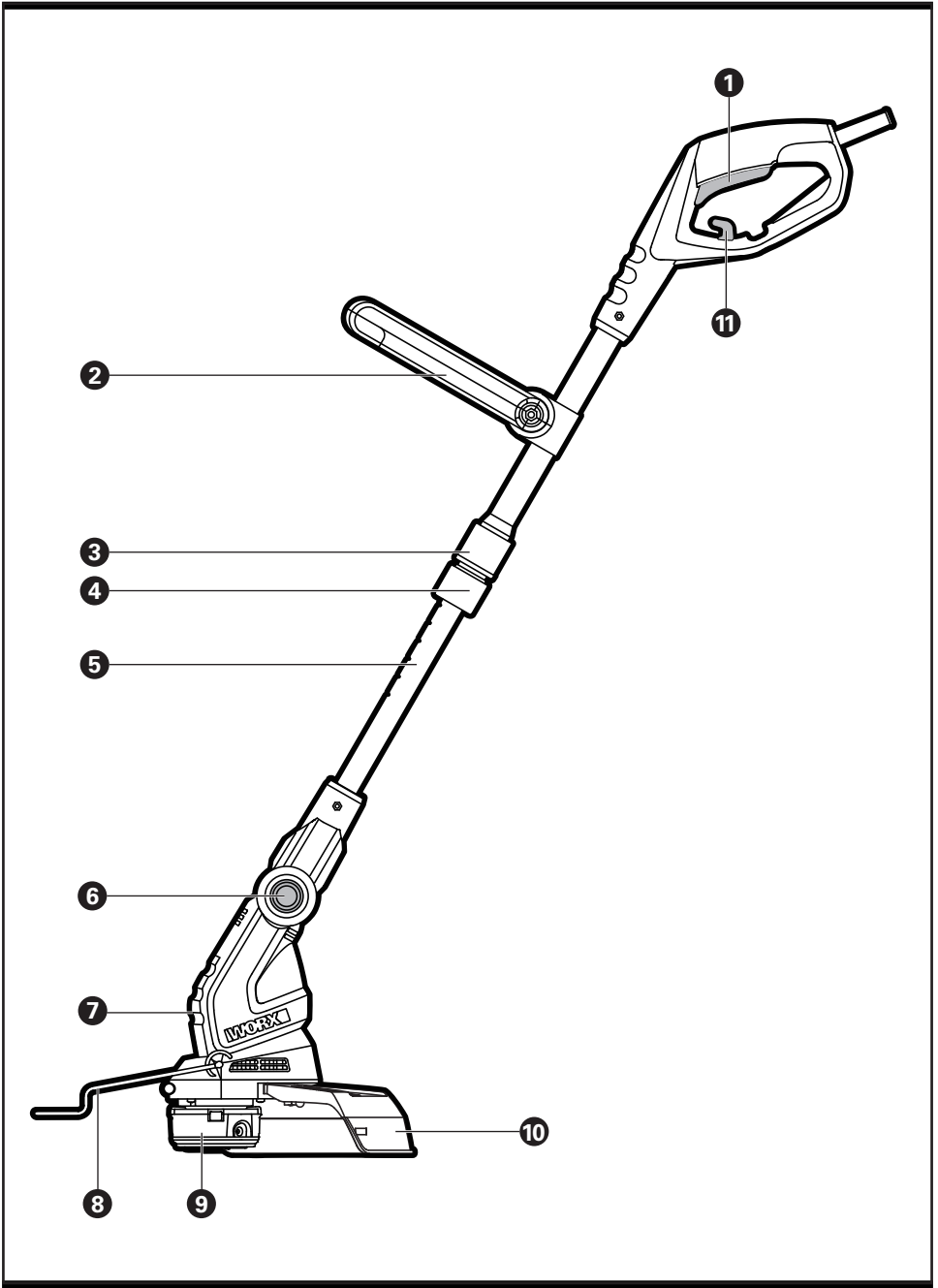
# **WORX**

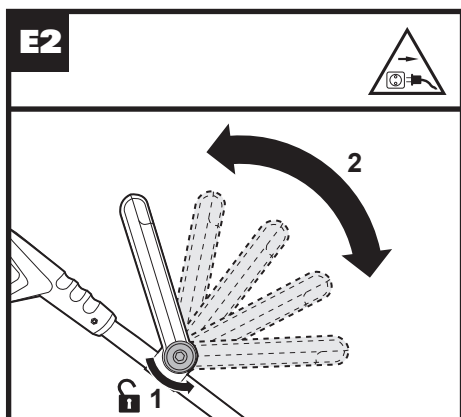
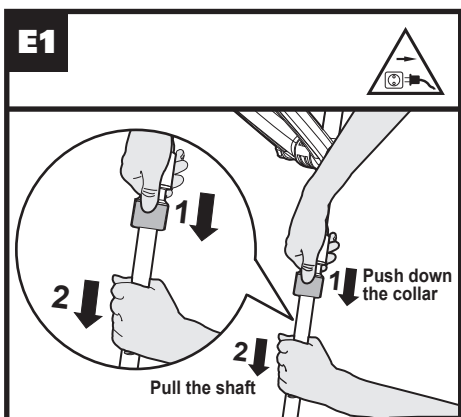
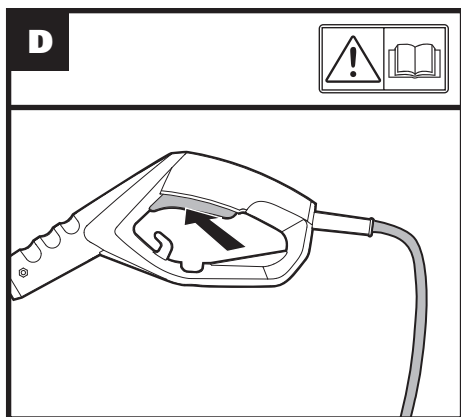
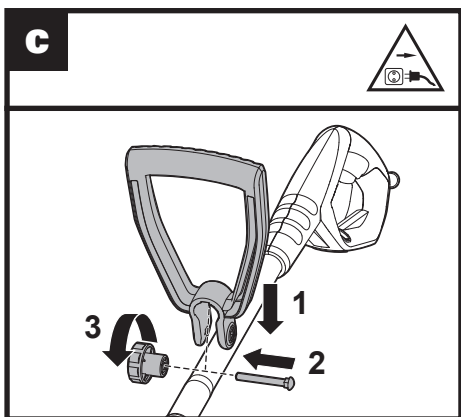
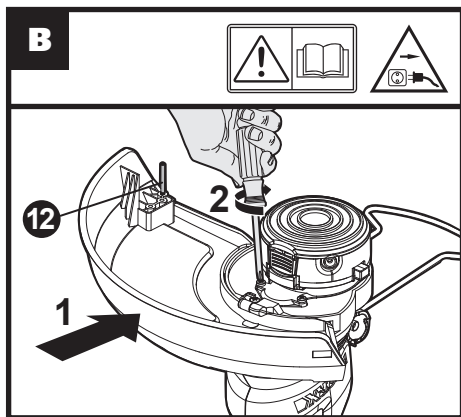
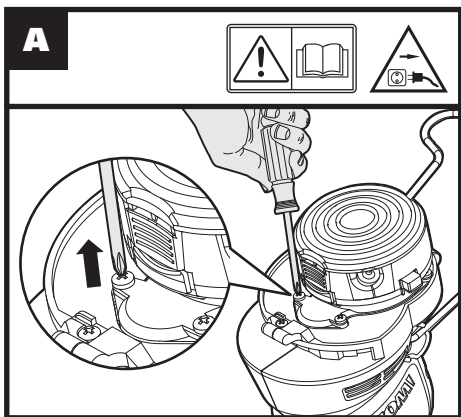


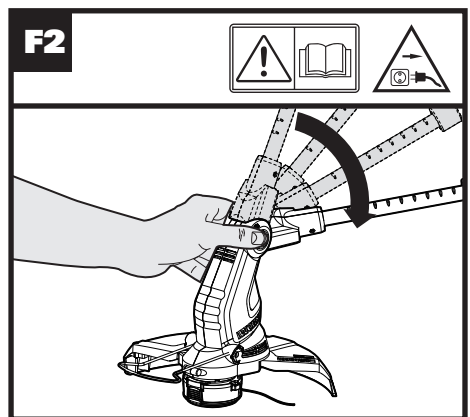
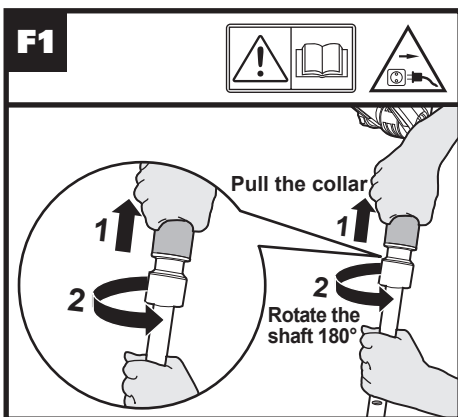
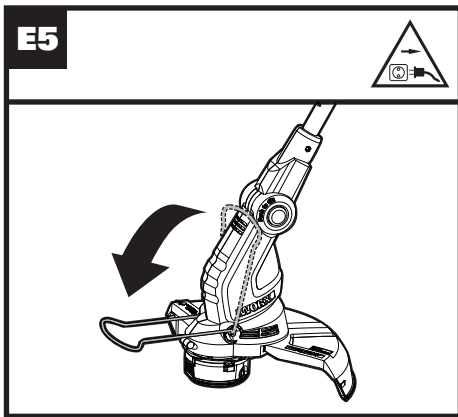
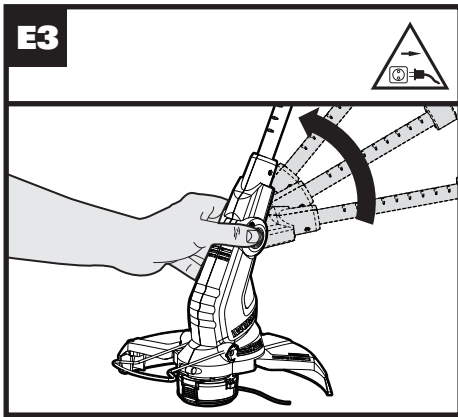
## **SAFETY AND OPERATING MANUAL ORIGINAL INSTRUCTIONS**

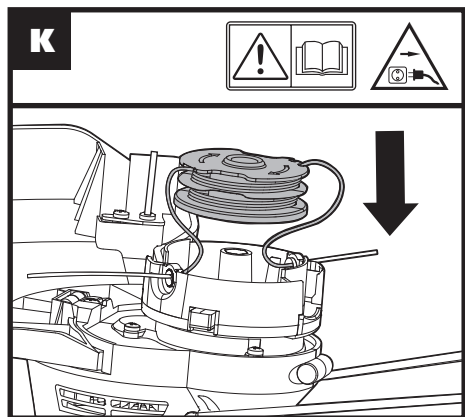
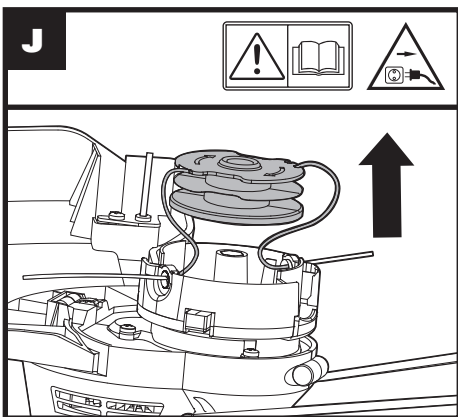
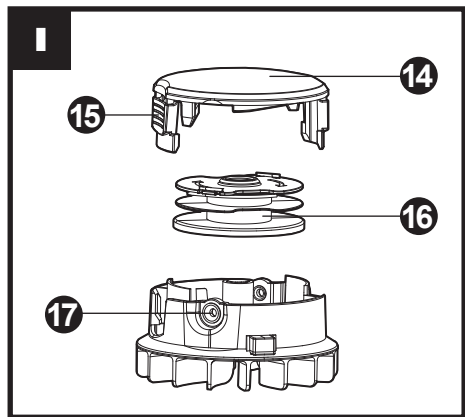
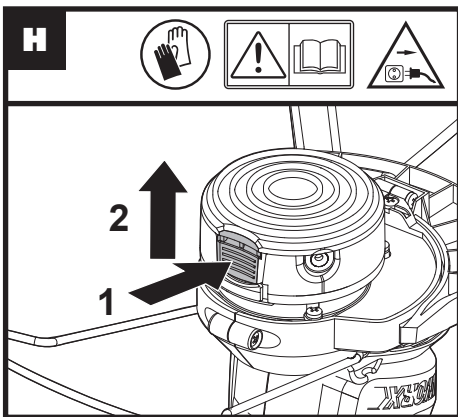
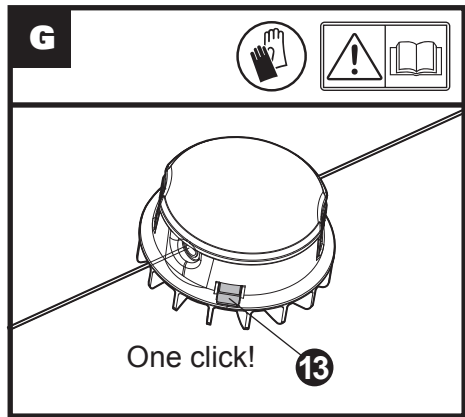
**2-in-1 Grass Trimmer/Edger WG119E**

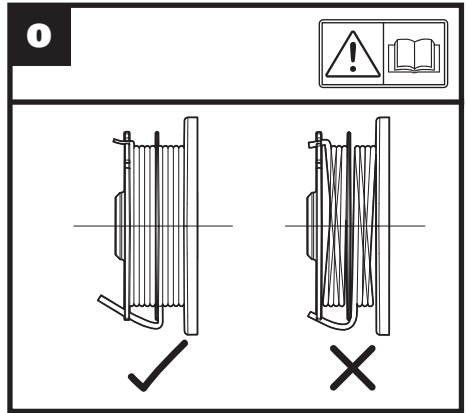
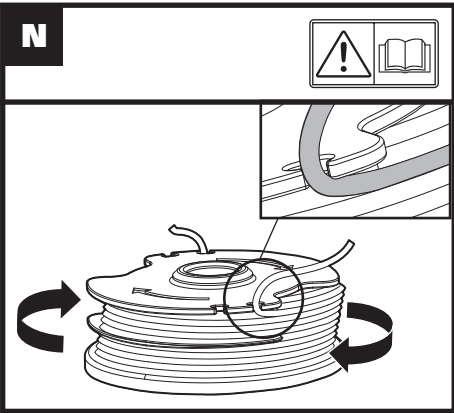
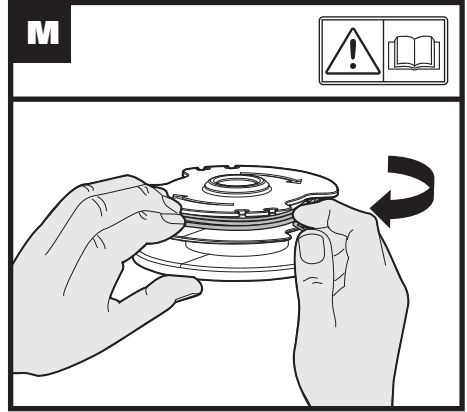
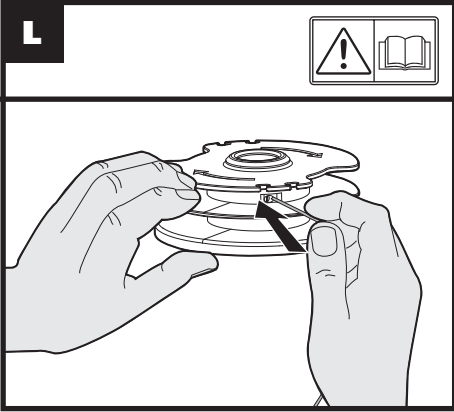













- 1. ON/OFF SWITCH**
- 2. AUXILIARY HANDLE**
- 3. HANDLE ROTATION LOCKING MECHANISM**
- 4. HEIGHT ADJUSTMENT LOCKING MECHANISM**
- 5. TELESCOPE TUBE**
- 6. CUTTING HEAD ADJUSTMENT BUTTON**
- 7. MOTOR HOUSING**
- 8. FLOWER GUARD**
- 9. CUTTING HEAD**
- 10. SAFETY GUARD**
- 11. EXTENSION CORD HOLDER**
- 12. LINE CUTTER (See B)**
- 13. LINE FEED BUTTON (See G)**
- 14. CUTTING HEAD COVER (See I)**
- 15. CAP RELEASE LATCH (See I)**
- 16. SPOOL (See I)**
- 17. EYELET (See I)**

8

Not all the accessories illustrated or described are included in standard delivery.

## TECHNICAL DATA

Type **WG119E** (1-designation of machinery, representative of Grass Trimmer)

Rated voltage	220-240V~50/60Hz
Power	550W
No load speed	8900/min
Max. cutting diameter	30cm
Diameter of line	1.65mm
Line length	2x5m
Weight	2.4kg
Protection class	

## NOISE DATA

A weighted sound pressure	$L_{pA} = 84dB(A)$
---------------------------	--------------------

$K_{pA}$	3.0dB(A)
----------	----------

A weighted sound power	$L_{wA} = 96dB(A)$
------------------------	--------------------

Wear ear protection



## VIBRATION INFORMATION

Typical weighted vibration	$a_h = 2.7m/s^2$
----------------------------	------------------

Uncertainty	$K = 1.5m/s^2$
-------------	----------------

**! WARNING!** The vibration emission value during actual use of the power tool can differ from the declared value depending on the ways in which the tool is used dependant on the following examples and other variations on how the tool is used: How the tool is used and the materials being cut or drilled.

The tool being in good condition and well maintained Using the correct accessory for the tool and ensuring it is sharp and in good condition.

The tightness of the grip on the handles and if any anti vibration accessories are used.

And the tool is being used as intended by its design and these instructions.

**This tool may cause hand-arm vibration syndrome if its use is not adequately managed.**

**! WARNING!** To be accurate, an estimation of exposure level in the actual conditions of use should also take account of all parts of the operating cycle such as the times when the tool is switched off and when it is running idle but not actually doing the job. This may significantly reduce the exposure level over the total working period.

Helping to minimise your vibration exposure risk.

ALWAYS use sharp chisels, drills and blades Maintain this tool in accordance with these instructions and keep well lubricated (where appropriate)

If the tool is to be used regularly then invest in anti vibration accessories.

Avoid using tools in temperatures of 10°C or less

Plan your work schedule to spread any high vibration tool use across a number of days.

## ACCESSORIES

Flower guard	1
Auxiliary handle	1
Safety guard	1
Spool (WA0007)	1

We recommend that you purchase your accessories from the same store that sold you the tool. Refer to the accessory packaging for further details. Store personnel can assist you and offer advice.

# 2-in-1 Grass Trimmer/Edger WG119E



## **PRODUCT SAFETY GENERAL SAFETY WARNINGS**

 **WARNING: Read all safety warnings and all instructions.** Failure to follow the warnings and instructions may result in electric shock, fire and/or serious injury.

### **Save all warnings and instructions for future reference.**

If the supply cord is damaged, it must be replaced by the manufacturer, its service agent or similarly qualified persons in order to avoid a hazard.

### **IMPORTANT READ CAREFULLY BEFORE USE KEEP FOR FUTURE REFERENCE**

### **SAFE OPERATING PRACTICES**

#### **1. Training**

- a) Read the instructions carefully. Be familiar with the controls and the correct use of the machine.
- b) Never allow children, persons with reduced physical, sensory or mental capabilities or lack of experience and knowledge or people unfamiliar with

these instructions to use the machine, local regulations may restrict the age of the operator.

- c) Keep in mind that the operator or user is responsible for accidents or hazards occurring to other people or their property.

#### **2. Preparation**

- a) Before use check the supply and extension cord for signs of damage or aging. If the cord becomes damaged during use, disconnect the cord from the supply immediately. **DO NOT TOUCH THE CORD BEFORE DISCONNECTING THE SUPPLY.** Do not use the machine if the cord is damaged or worn.
- b) Keep extension cords away from moving hazardous parts to avoid damages to the cords which can lead to contact with live parts.
- c) Before use, always visually inspect the machine for damaged, missing or misplaced guards or shields.
- d) Never operate the machine while people, especially children, or pets are nearby.

#### **3. Operation**

- a) Keep supply and extension cords away from cutting

- means.
- b) Wear eye protection, log trousers and stout shoes at all times while operating the machine.
  - c) Avoid using the machine in bad weather conditions especially when there is a risk of lightning.
  - d) Use the machine only in daylight or good artificial light.
  - e) Never operate the machine with damaged guards or shields or without guards or shields in place.
  - f) Switch on the motor only when the hands and feet are away from the cutting means.
  - g) Always disconnect the machine from the power supply (e.G. Remove the plug from the mains)
    - 1) Whenever the machine is left unattended;
    - 2) Before clearing a blockage;
    - 3) Before checking, cleaning or working on the machine;
    - 4) After striking a foreign object;
    - 5) Whenever the machine starts vibrating abnormally.
  - h) Take care against injury to feet and hands from the cutting means.
  - i) Always ensure that the ventilation openings are kept clear of debris.

- j) Never fit metal cutting elements.
- k) Always be sure of your footing on slopes.
- l) Walk, never run.
- m) Not overreach and keep the balance at all times.
- n) Not to touch moving hazardous parts before the machine is disconnected from the mains and the moving hazardous parts have come to a complete stop.


#### **4. Maintenance and storage**

- a) Disconnect the machine from the power supply (e.G. Remove the plug from the mains) before carrying out maintenance or cleaning work.
- b) Use only the manufacturer's recommended replacement parts and accessories.
- c) Inspect and maintain the machine regularly. Have the machine repaired only by an authorized repairer.
- d) When not in use, store the machine out of the reach of children.

#### **5. Recommendation**

The machine should be supplied via a residual current device (rcd) with a tripping current of not more than 30mA.

## SYMBOL

	Read operator's manual
	Keep bystanders away
	Wear eye and ear protection
	Do not expose to rain
	Disconnect the mains plug if the cord becomes damaged or entangled.
	Double insulation
	Waste electrical products must not be disposed of with household waste. Please recycle where facilities exist. Check with your local authorities or retailer for recycling advice.
	Edging
	Trimming
	Unlock
	Wear protective gloves

## OPERATING INSTRUCTIONS






**NOTE:** Before using the tool, read the instruction book carefully.

### Intended Use

The machine is intended for the cutting of grass and weeds under bushes, as well as on slopes and edges that cannot be reached with the lawn mower.



**WARNING!** To avoid injury from unexpected starting or electrical shock during assembly or adjustment, do not plug the power cord into a source of power.

Action	Figure
<b>Assembly</b>	
Assembling Safety Guard  <b>WARNING! Make Sure the Safety Switch is Locked Off to Prevent Accidental Starting.</b>	See Fig. A, B
Assembling auxiliary handle	See Fig. C
<b>Operation</b>	
ON/OFF Switch  <b>WARNING!</b> The cutting head continues to rotate after the trimmer has been switched off; wait until it has completely stopped then lay down the tool.	See Fig. D
Trimming	
Adjusting the Height	See Fig. E1
Adjusting the Auxiliary Handle	See Fig. E2
Adjusting the Trimmer Head	See Fig. E3
Trimming	See Fig. E4
Using the Flower Guard	See Fig. E5, E6
Edging  <b>WARNING!</b> Always switch the machine off and remove plug from power source before adjusting.	
Changing the tool into the Edging mode <b>Note:</b> The trimmer head will only rotate in one direction	See Fig. F1, F2
Edging	See Fig. F3
Manually feeding the line	See Fig. G
Removing the Cap	See Fig. H
Cutting Head	See Fig. I

Changing the line spool	See Fig. J, K
Manually winding the line	See Fig. L, M, N, O

Leave approximately 100mm of line unwound and place it into the cleat. Repeat on the lower section of spool. Care should be taken to ensure that the line is neatly coiled on the spool (See Fig. O). Failure to do so will impair the efficiency of the automatic line feed. Then fit the spool as described above in **"Changing the Line Spool"**.

## OPERATION INSTRUCTIONS

### 1. AUTOMATIC LINE FEED SYSTEM

When initially switching on the trimmer, a small length of line is fed out.

A 'clattering' noise will be heard for a short time. This is normal and is caused by the line being cut by the line cutter. Once the line is cut to the correct length, the 'clattering' noise will stop and the trimmer motor will run at full speed.

To feed more line, stop the trimmer completely, then restart, allowing the motor to reach full speed. Repeat this until you hear the 'clattering' noise of the line cutting. (Do not repeat this procedure more than 6 times)

### 2. MANUALLY FEEDING THE LINE (See Fig. G)

Press and release manual line feed button (13), whilst gently pull out the lines until the lines reaches the line cutter.

When the required amount of line is fed out, gently pull on the second line (there is no need to press the manual line feed button again). If the line extends past the line cutter, too much line has been fed out. If too much line is fed out, remove the cutting head cover and rotate the spool anti-clockwise until the line is at the desired length.

### Removing the Cap (See Fig. H)

Press and hold in the two latches (15).

Pull the Cutting Head Cover away from the Cutting Head. Keep the cap and spool holder clean from debris. To replace the cap, press it firmly towards the spool holder. Ensure that it is correctly connected by trying to remove it without depressing the two latches.

### Changing the Line Spool (See Fig. J, K)

First take off the cap and remove the old spool. Place new spool into cutting head. Feed one line through the eyelet, then repeat for second line (See Fig. K). Release line from cleat on the Spool. Reattach the cap.

**WARNING!** Your Trimmer is designed to only use line with a **maximum diameter of 1.65mm. Only use nylon line.**  
**IMPORTANT - Always wind the line onto the upper section of the spool first.**

### 3. MANUALLY WINDING THE LINE (See Fig. L, M, N, O)

Take approximately 5m line and insert 15mm of line into one of the holes in the upper section of the spool (See Fig. L). Wind the line in the direction of the arrows on the top of the spool (See Fig. M, N).

## MAINTENANCE

**Remove the plug from the socket before carrying out any adjustment, servicing or maintenance.**

There are no user serviceable parts in your lawn trimmer. Never use water or chemical cleaners to clean your lawn trimmer. Wipe clean with a dry cloth. Always store your lawn trimmer in a secure, dry place out of the reach of children. Keep the motor ventilation slots clean. Keep all working controls free of dust. If you see some sparks flashing in the ventilation slots, this is normal and will not damage your lawn trimmer. Do not place other objects on the product.

If the supply cord is damaged, it must be replaced by the manufacturer, its service agent or similarly qualified persons in order to avoid a hazard.


# TROUBLESHOOTING



**WARNING:** Switch the machine off and remove plug from power source before investigating any fault.

<b>Problems</b>	<b>Possible Causes</b>	<b>Corrective Action</b>
Trimmer fails to operate.	No power Power source socket faulty Motor is broken. Internal wiring of machine damaged.	Check power Use another socket Contact Service Agent. Contact Service Agent.
Trimmer runs intermittently.	Motor is broken. On/Off switch defective.	Contact Service Agent. Contact Service Agent.
Excessive vibrations/ noise.	Machine defective. Line spool is not wound well.	Contact Service Agent. Rewind the line. See <b>"MANUALLY WINDING THE LINE" (Fig. L, M, N, O).</b>
Machine does not cut.	Line broken. Motor is broken (speed is too low). Grass entangled around cutting head.	Replace the line. Contact Service Agent. Remove grass.
Auto feed does not work	Cutting line is not wound well. The line is tangled. Line is used up.	Manually feed the line, if still cannot feed out, remove the Spool out and rewind the line. Replace with a new spool of line.

## ENVIRONMENTAL PROTECTION

 Waste electrical products must not be disposed of with household waste. Please recycle where facilities exist. Check with your local authorities or retailer for recycling advice.

## PLUG REPLACEMENT (ONLY FOR REWIRABLE PLUG OF UK & IRELAND)

If you need to replace the fitted plug then follow the instructions below.

### IMPORTANT

The wires in the mains lead are colored in accordance with the following code:

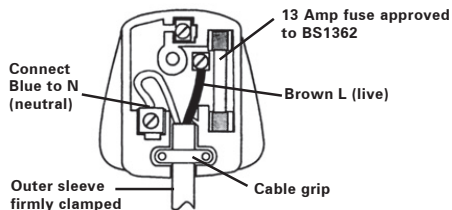
**BLUE = NEUTRAL**

**Brown = Live**

As the colors of the wires in the mains lead of this appliance may not correspond with the colored markings identifying the terminals in your plug, proceed as follows. The wire which is colored blue must be connected to the terminal which is marked with N. The wire which is colored brown must be connected to the terminal which is marked with L.

**WARNING!** Never connect live or neutral wires to the earth terminal of the plug. Only fit an approved 13ABS1363/A plug and the correct rated fuse.

**NOTE:** If a moulded plug is fitted and has to be removed take great care in disposing of the plug and severed cable, it must be destroyed to prevent engaging into a socket.



## DECLARATION OF CONFORMITY

We,  
Positec Power Tools (Europe) Ltd,  
PO Box 6242, Newbury, RG14 9LT, UK

Declare that the product,  
Description **Electric Lawn trimmer/edger trimmer**  
Type **WG119E (1-designation of machinery, representative of Lawn Trimmer and Edge Trimmer)**  
Function **Cutting grass and similar soft vegetation and for trimming grass edges**

Complies with the following Directives,  
**2006/42/EC, 2014/30/EU, 2011/65/EU, 2000/14/EC amended by 2005/88/EC**

2000/14/EC amended by 2005/88/EC:  
- Conformity Assessment Procedure as per **Annex VI**  
- Measured Sound Power Level **95.2dB(A)**  
- Declared Guaranteed Sound Power Level **96dB(A)**

The notified body involved  
**Name: Intertek Testing & Certification Ltd (notified body 0359)**  
**Address: Davy Avenue, Knowlhill, Milton Keynes, MK5 8NL**

Standards conform to

<b>EN 60335-1</b>	<b>EN 50636-2-91</b>
<b>EN 62233</b>	<b>EN ISO 3744</b>
<b>EN 55014-1</b>	<b>EN 55014-2</b>
<b>EN 61000-3-2</b>	<b>EN 61000-3-3</b>

The person authorized to compile the technical file,  
**Name: Russell Nicholson**  
**Address: Positec Power Tools (Europe)Ltd, PO Box 6242, Newbury, RG14 9LT, UK**



Suzhou 2016/11/28  
Allen Ding  
Deputy Chief Engineer, Testing & Certification



## **After-sales Service and Application**

At [www.worx.com](http://www.worx.com) you can order spare parts or arrange the collection of a product in need of servicing or repair.

Tel. Service: 0345 202 9679

E-Mail: [customerservices@worxtools.com](mailto:customerservices@worxtools.com)

**WORX**  
**it's your nature**

**[www.worx.com](http://www.worx.com)**

Copyright © 2016, Positec. All Rights Reserved.  
AR01268801