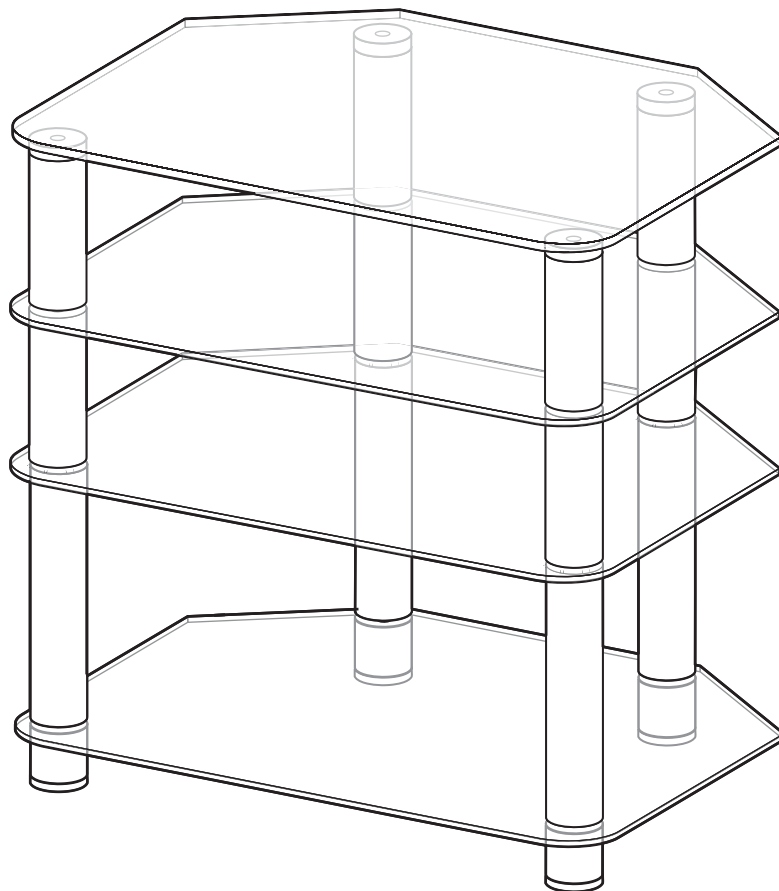


Matrix - Glass Small Entertainment unit

Assembly Instructions - Please keep for future reference

609/0722

610/8566



Dimensions

Width - 60cm

Depth - 45cm

Height - 59.5cm

Important - Please read these instruction fully before starting assembly

If you need help or have damaged or missing parts, call the **Customer Helpline: 08456 400800**

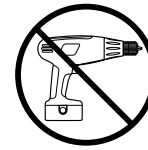


Safety and Care Advice

Important - Please read these instructions fully before starting assembly

- Check you have all the components and tools listed on pages 2.
- Remove all fittings from the plastic bags and separate them into their groups.
- Keep children and animals away from the work area, small parts could choke if swallowed.
- Make sure you have enough space to layout the parts before starting.

- Do not stand on the product, this could cause damage.
- Assemble the item as close to its final position (in the same room) as possible.
- Assemble on a soft level surface to avoid damaging the unit or your floor.
- Parts of the assembly will be easier with 2 people.



- We do not recommend the use of power drill/drivers **for inserting screws**, as this could damage the unit. Only use hand screwdrivers.
- Dispose of all packaging carefully and responsibly.

Care and maintenance

- Only clean using a damp cloth and mild detergent, do not use bleach or abrasive cleaners.
- From time to time check that there are no loose screws on this unit.
- This product should not be discarded with household waste. Take to your local authority waste disposal centre.

Keep These Instructions For Future Reference

- This product complies with BS EN 14749:2005
- Argos plc
489-499 Avebury Boulevard
Central Milton Keynes
MK9 2NW
- Batch No./Date of manufacture:

Warning

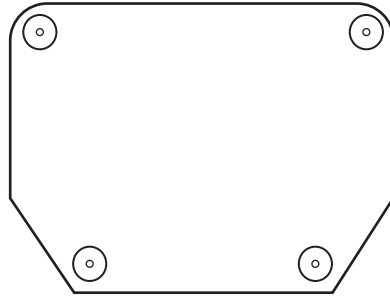
- Do not place very hot or very cold items against or in close proximity to glass surfaces unless an adequately thick insulating material is used to prevent such items from coming into contact with the glass.
- Do not sit or stand upon the glass surface(s).
- If a glass component is chipped or broken, stop using the product and consult the manufacturer or supplier.
- Do not use the glass as a chopping surface. Do not strike the glass with hard or pointed items.

Components - Panels

Please check you have all the panels listed below



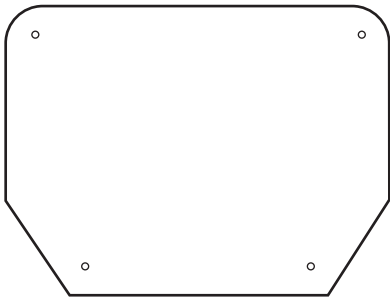
1 Metal rod x 4 (58 x 0.8cm)



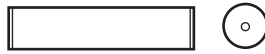
2 Glass top (60x45cm)



3 Metal tube x 8 (13 x 5.08cm)



4 Glass shelf x 3 (60 x 45cm)



5 Metal tube x 4 (22 x 5.08cm)



6 Metal Tube x4 (5x 5.08cm)



7 Feet x 4 (1.2 x 5.2cm)

Ruler - Use this ruler to help correctly identify the screws

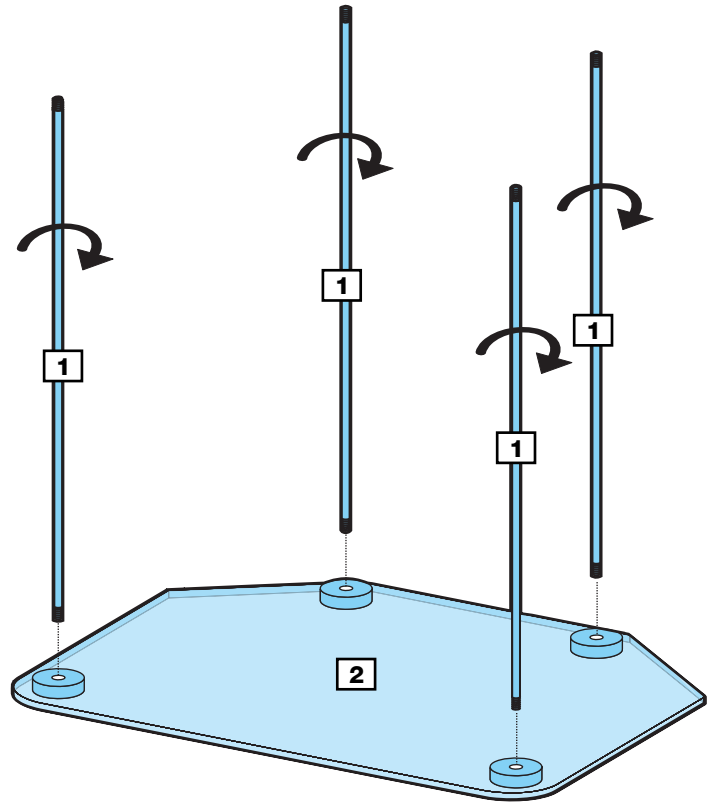


Assembly Instructions

Step 1

Attaching rods

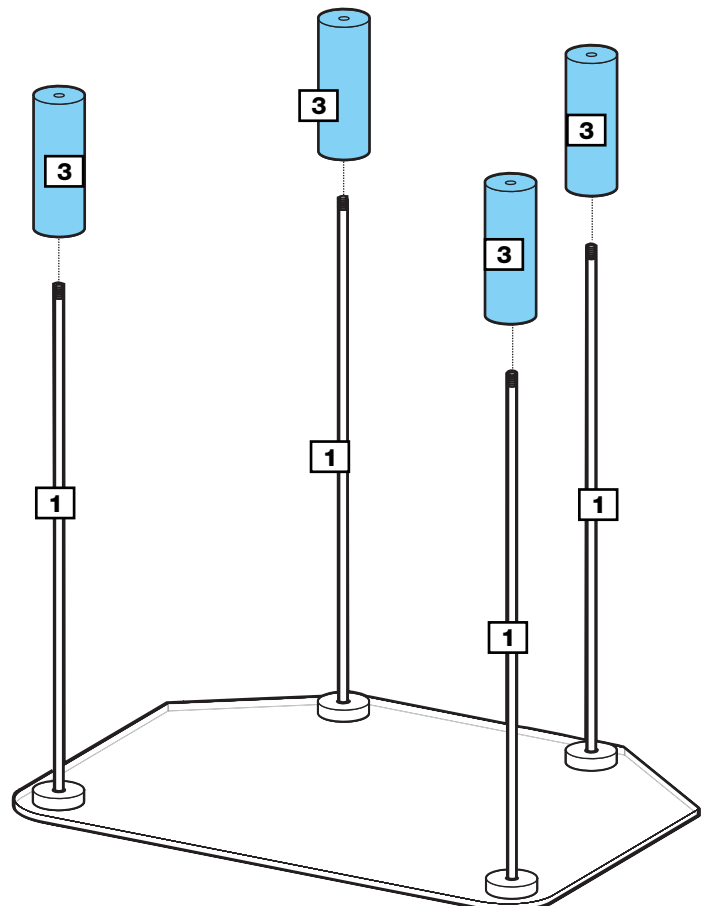
Finger tighten 4 pcs of metal rods **1** onto glass top **2** as shown.



Step 2

Attaching tubes

Attach 4 pcs of metal tubes **3** through 4 pcs of metal rods **1** as shown.

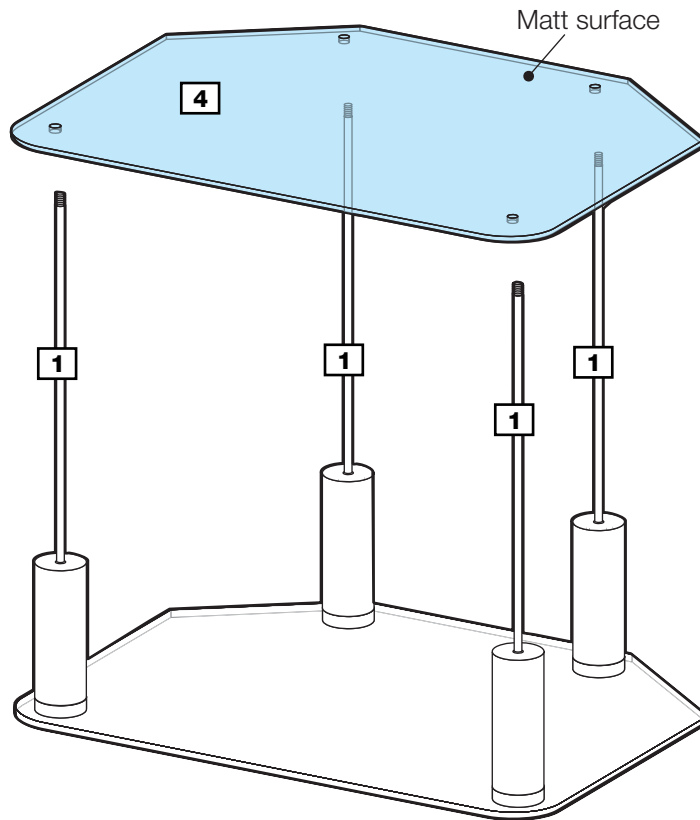


Assembly Instructions

Step 3

Attaching shelf

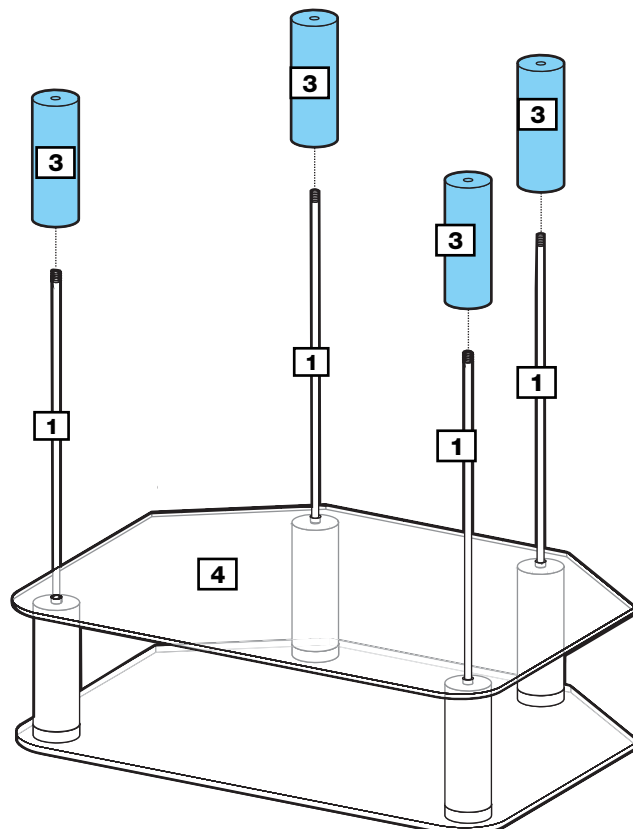
Please be careful to place glass shelf **4** through 4 pcs of metal rods **1** as shown.



Step 4

Attaching tubes

Attach 4 pcs of metal tube **3** through 4 pcs of metal rods **1** as shown.

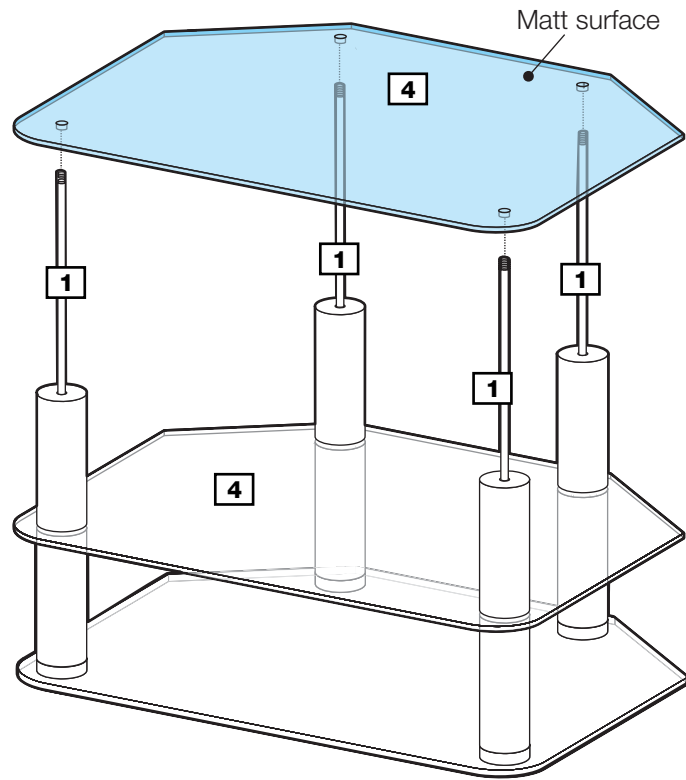


Assembly Instructions

Step 5

Attaching shelf

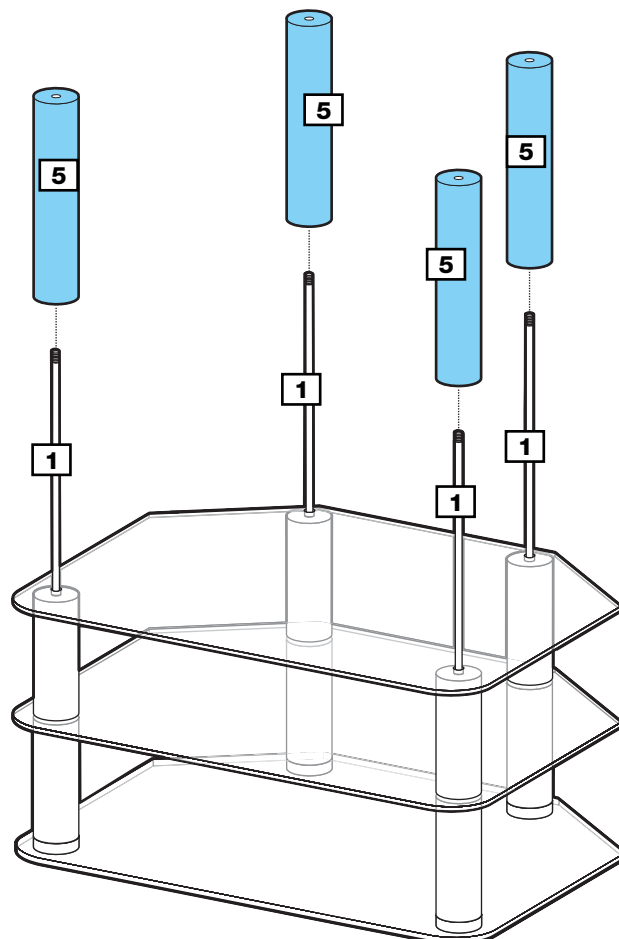
Please be careful to place glass shelf **4** through 4 pcs of metal rods **1**.



Step 6

Attaching tubes

Attach 4 pcs of metal tubes **5** through 4 pcs of metal rods **1** as shown.

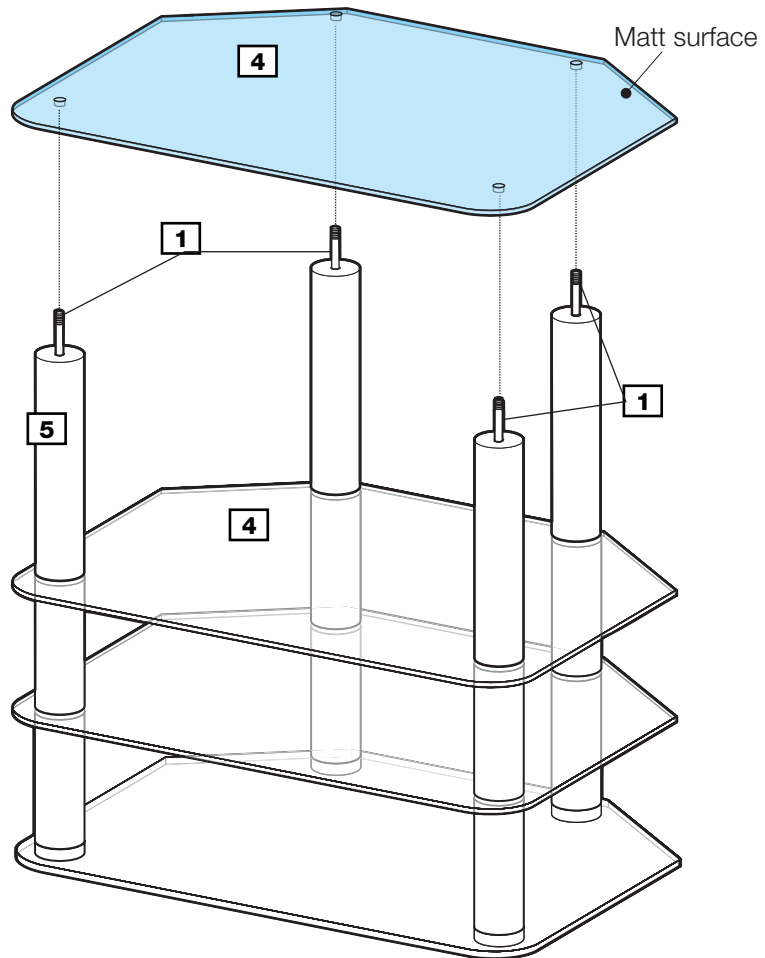


Assembly Instructions

Step 7

Attaching shelf

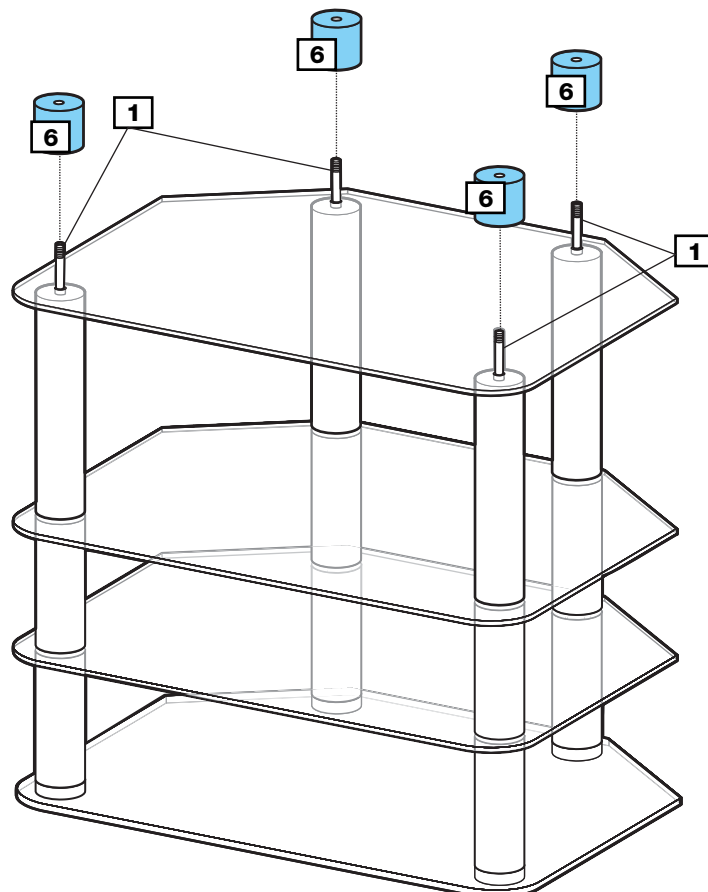
Please be careful to place glass shelf **4** through 4 pcs of metal rods **1** as shown.



Step 8

Attaching tubes

Attach 4 pcs of metal tubes **6** through 4 pcs of metal rods **1** as shown.

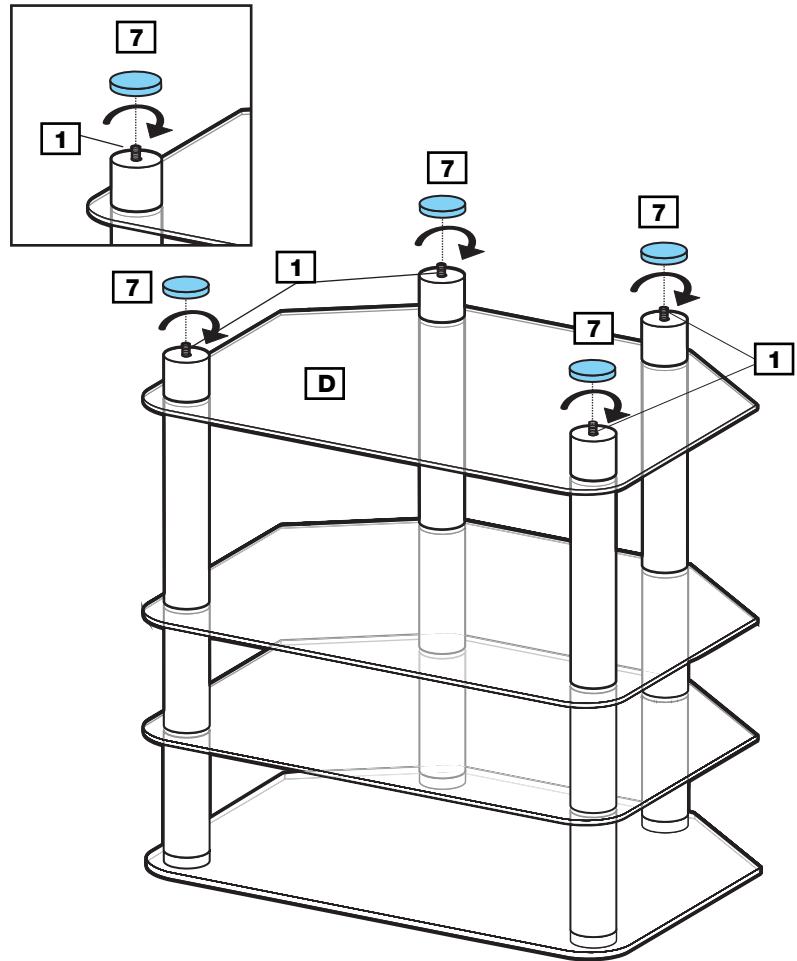


Assembly Instructions

Step 9

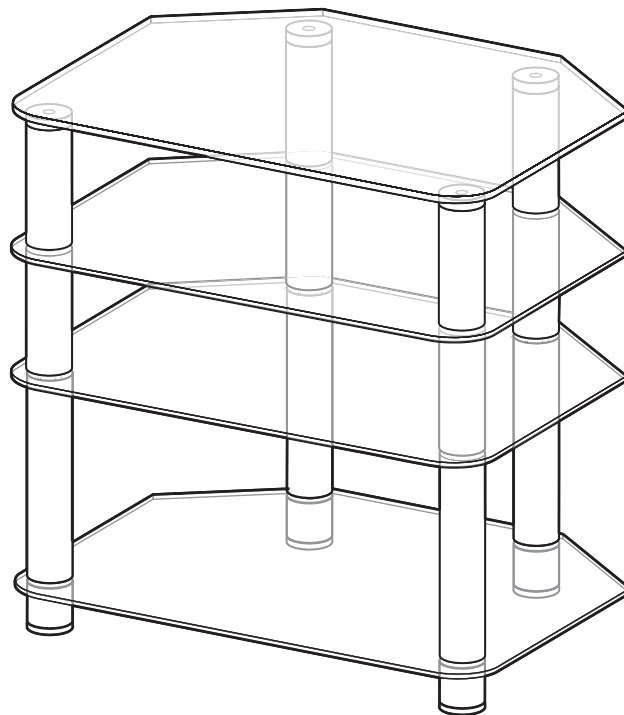
Attaching feet

Finger tighten 4 pcs of feet **7** onto the unit as shown.



Step 10

Assembly is completed.



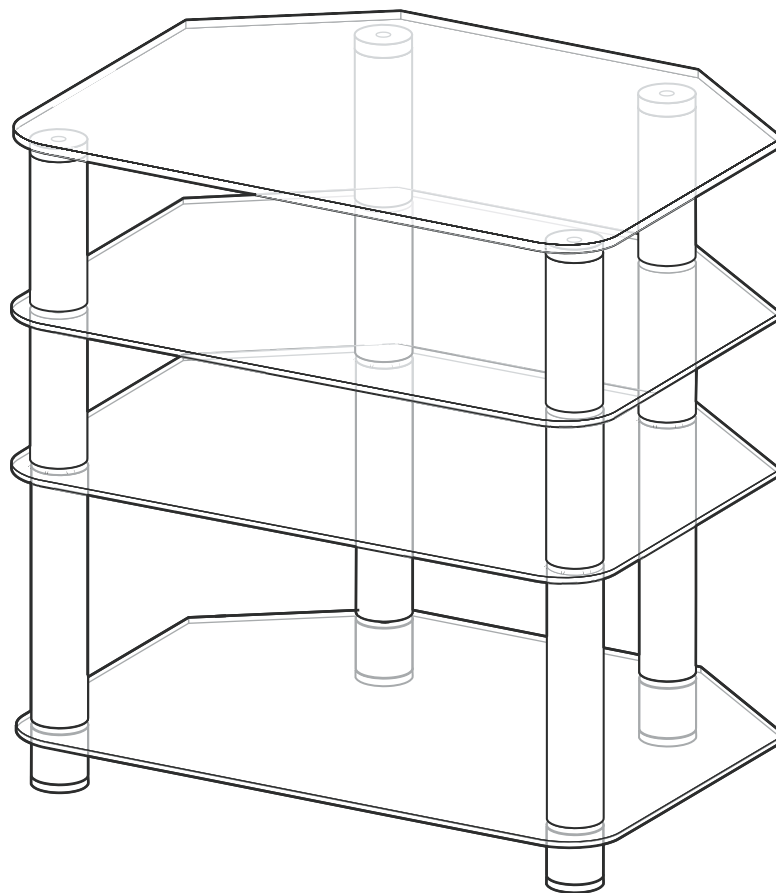
If you need help or have damaged or missing parts, call the **Customer Helpline: 08456 400800**

Matrix - Glass Small Entertainment unit

Assembly Instructions - Please keep for future reference

609/0722

610/8566



Dimensions

Width - 60cm

Depth - 45cm

Height - 59.5cm

Important - Please read these instruction fully before starting assembly

If you need help or have damaged or missing parts, call the **Customer Helpline: 08456 400800**



Safety and Care Advice

Important - Please read these instructions fully before starting assembly

- Check you have all the components and tools listed on pages 2.
- Remove all fittings from the plastic bags and separate them into their groups.
- Keep children and animals away from the work area, small parts could choke if swallowed.
- Make sure you have enough space to layout the parts before starting.

- Do not stand on the product, this could cause damage.
- Assemble the item as close to its final position (in the same room) as possible.
- Assemble on a soft level surface to avoid damaging the unit or your floor.
- Parts of the assembly will be easier with 2 people.



- We do not recommend the use of power drill/drivers **for inserting screws**, as this could damage the unit. Only use hand screwdrivers.
- Dispose of all packaging carefully and responsibly.

Care and maintenance

- Only clean using a damp cloth and mild detergent, do not use bleach or abrasive cleaners.
- From time to time check that there are no loose screws on this unit.
- This product should not be discarded with household waste. Take to your local authority waste disposal centre.

Keep These Instructions For Future Reference

- This product complies with BS EN14749:2005
- Argos plc
489-499 Avebury Boulevard
Central Milton Keynes
MK9 2NW
- Batch No./Date of manufacture:

Warning

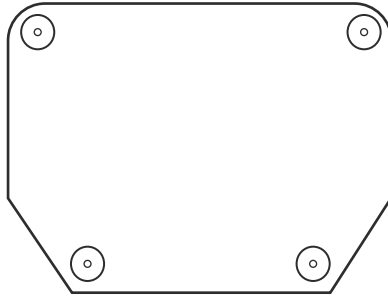
- Do not place very hot or very cold items against or in close proximity to glass surfaces unless an adequately thick insulating material is used to prevent such items from coming into contact with the glass.
- Do not sit or stand upon the glass surface(s).
- If a glass component is chipped or broken, stop using the product and consult the manufacturer or supplier.
- Do not use the glass as a chopping surface. Do not strike the glass with hard or pointed items.

Components - Panels

Please check you have all the panels listed below



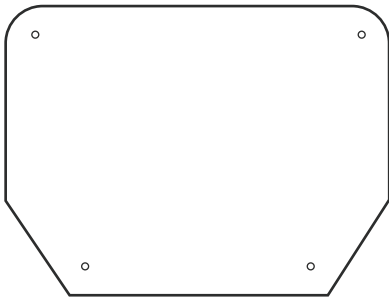
1 Metal rod x 4 (58 x 0.8cm)



2 Glass top (60x45cm)



3 Metal tube x 8 (13.5 x 5.08cm)



4 Glass shelf x 3 (60 x 45cm)



5 Metal tube x 4 (22.5 x 5.08cm)

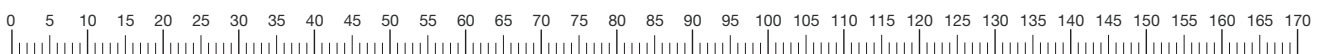


6 Metal Tube x4 (5.5x 5.08cm)



7 Feet x 4 (1.3 x 5.2cm)

Ruler -Use this ruler to help correctly identify the screws

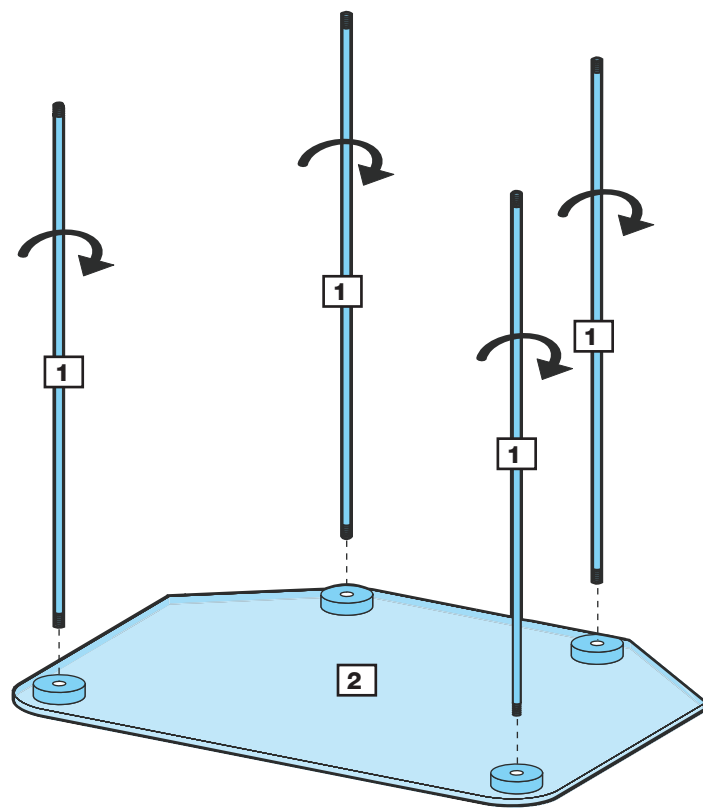


Assembly Instructions

Step 1

Attaching rods

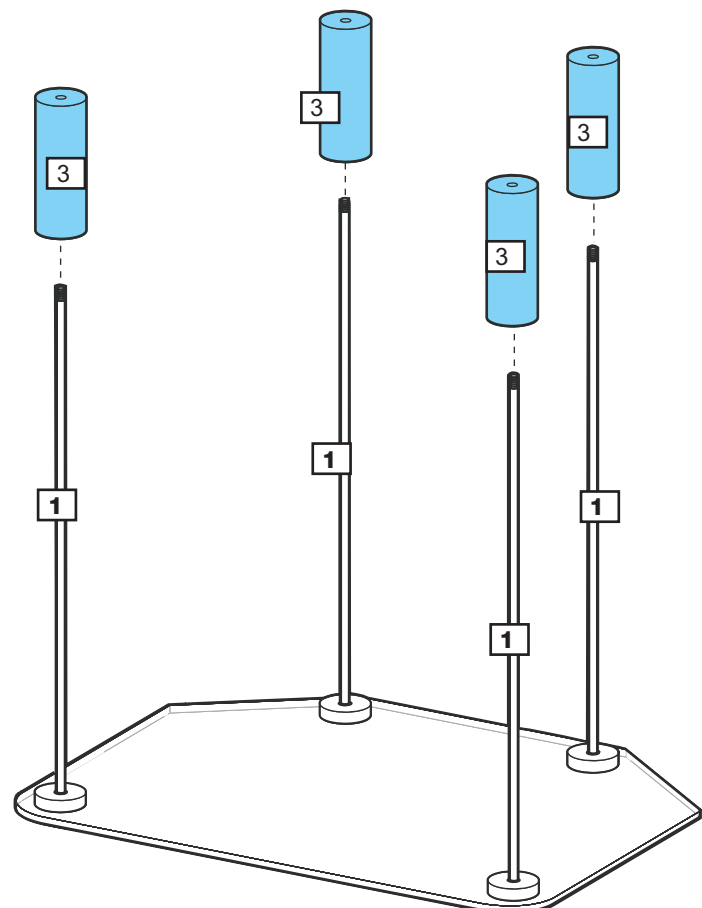
Finger tighten 4 pcs of metal rods **1** onto glass top **2** as shown.



Step 2

Attaching tubes

Attach 4 pcs of metal tubes **3** through 4 pcs of metal rods **1** as shown.

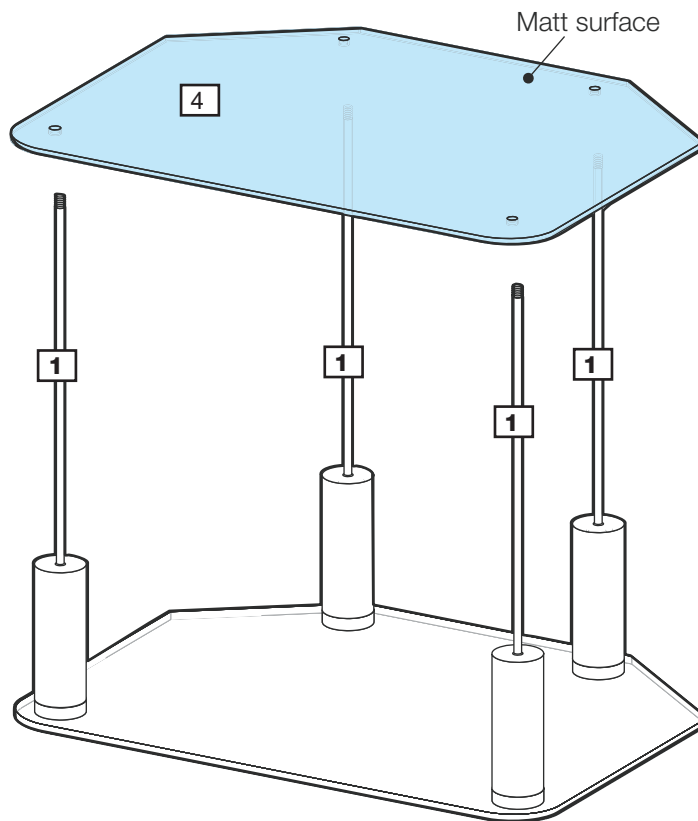


Assembly Instructions

Step 3

Attaching shelf

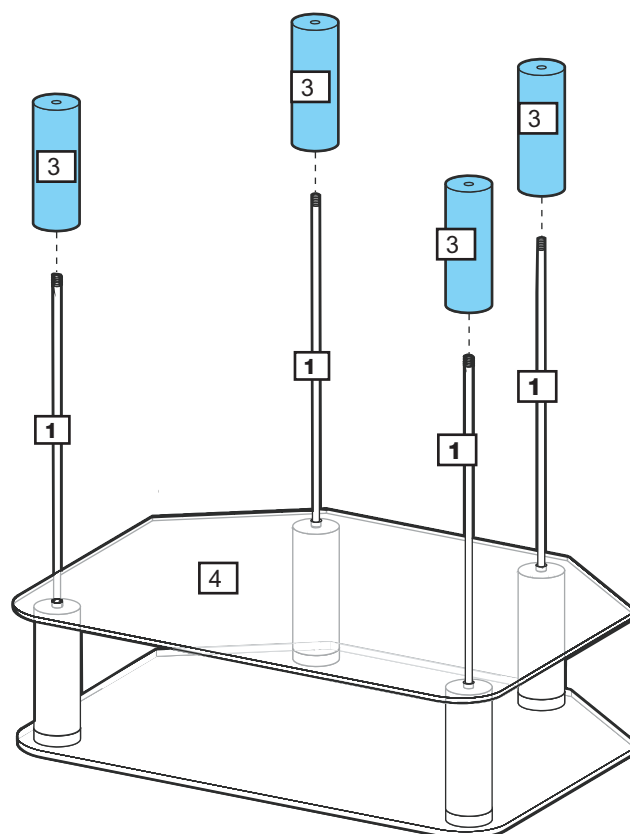
Please be careful to place glass shelf **4** through 4 pcs of metal rods **1** as shown.



Step 4

Attaching tubes

Attach 4 pcs of metal tube **3** through 4 pcs of metal rods **1** as shown.

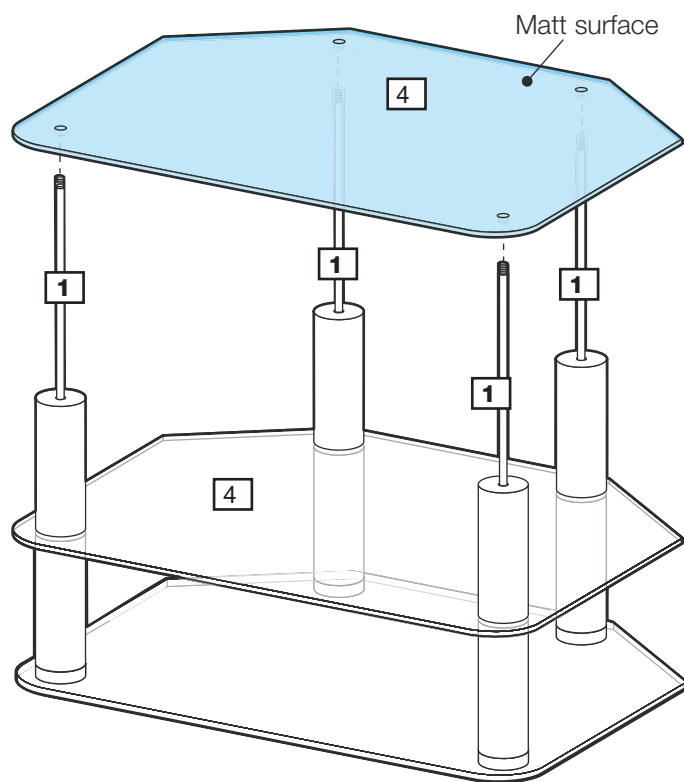


Assembly Instructions

Step 5

Attaching shelf

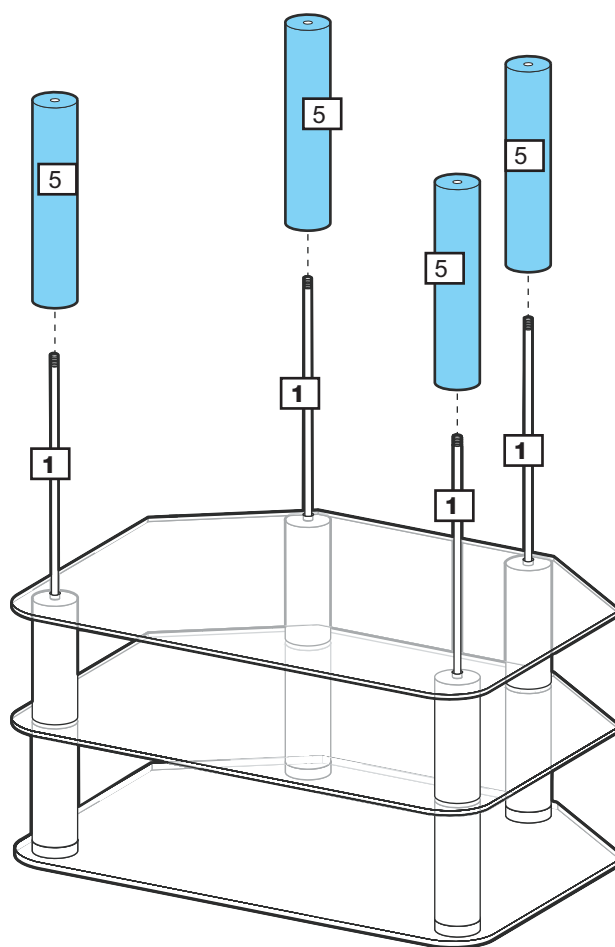
Please be careful to place glass shelf **4** through 4 pcs of metal rods **1**.



Step 6

Attaching tubes

Attach 4 pcs of metal tubes **5** through 4 pcs of metal rods **1** as shown.

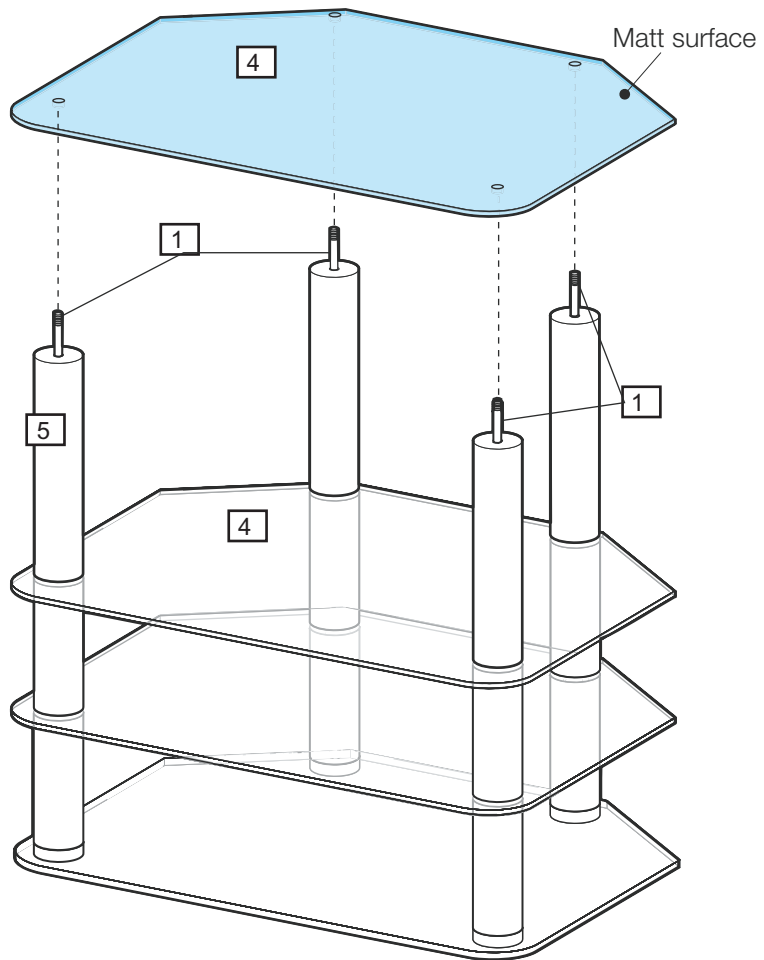


Assembly Instructions

Step 7

Attaching shelf

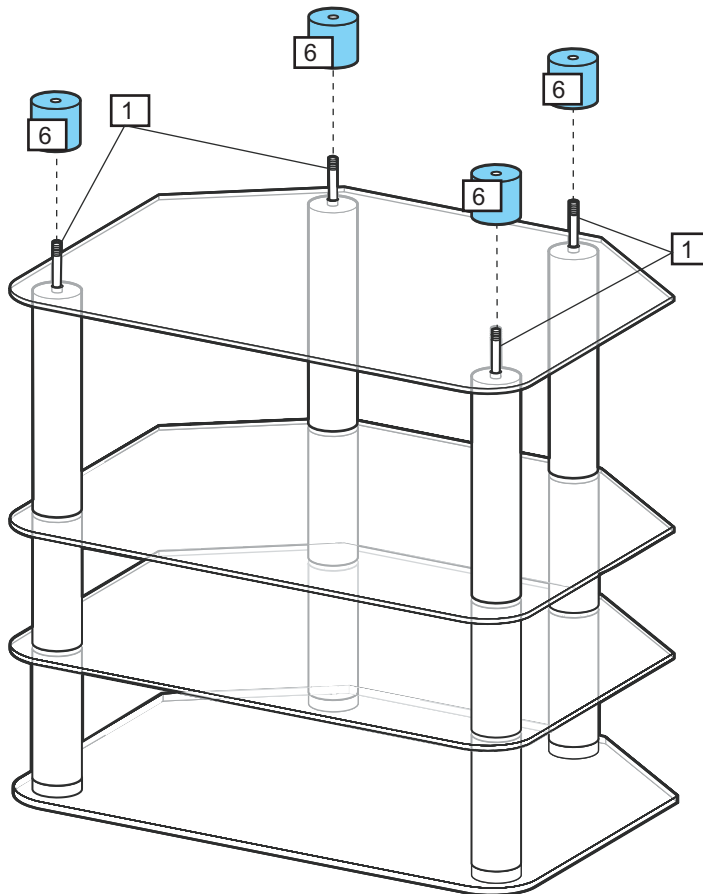
Please be careful to place glass shelf **4** through 4 pcs of metal rods **1** as shown.



Step 8

Attaching tubes

Attach 4 pcs of metal tubes **6** through 4 pcs of metal rods **1** as shown.

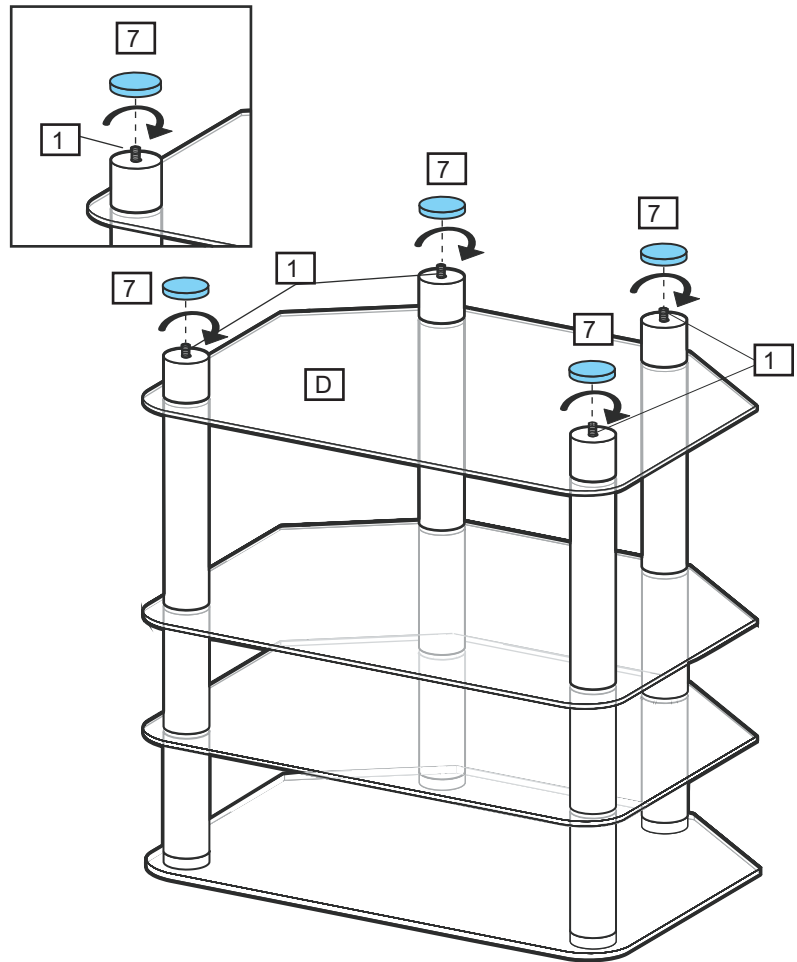


Assembly Instructions

Step 9

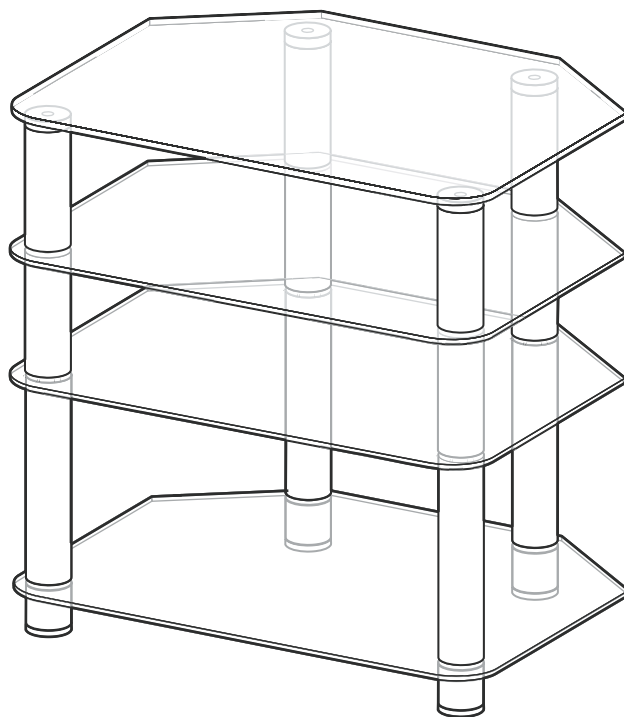
Attaching feet

Finger tighten 4 pcs of feet **7** onto the unit as shown.



Step 10

Assembly is completed.



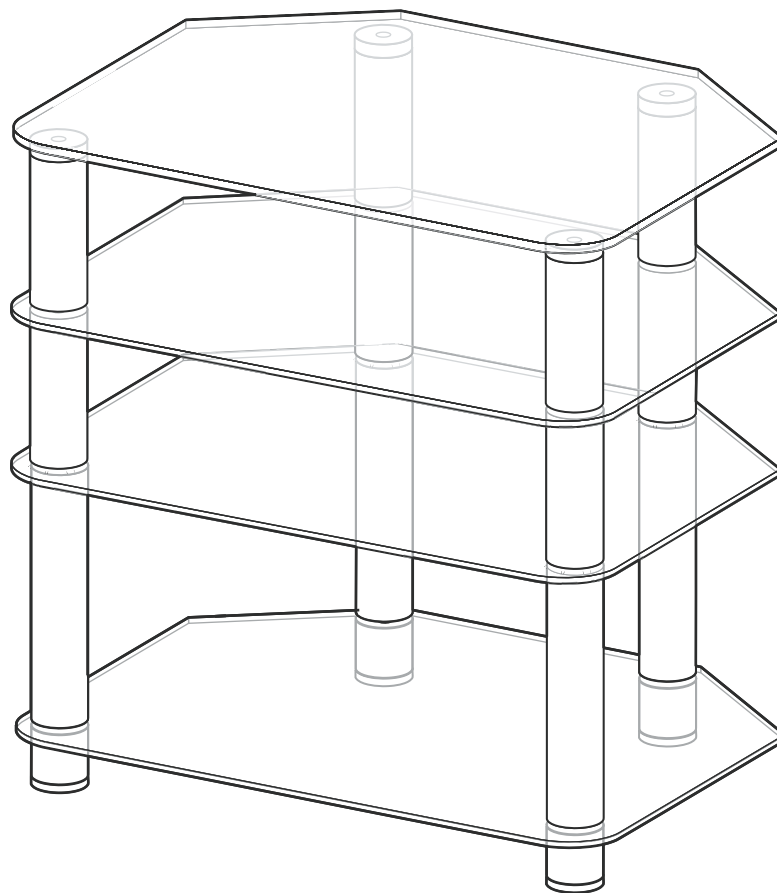
If you need help or have damaged or missing parts, call the **Customer Helpline: 08456 400800**

Matrix - Glass Small Entertainment unit

Assembly Instructions - Please keep for future reference

609/0722

610/8566



Dimensions

Width - 60cm

Depth - 45cm

Height - 59.5cm

Important - Please read these instruction fully before starting assembly

If you need help or have damaged or missing parts, call the **Customer Helpline: 08456 400800**



Safety and Care Advice

Important - Please read these instructions fully before starting assembly

- Check you have all the components and tools listed on pages 2.
- Remove all fittings from the plastic bags and separate them into their groups.
- Keep children and animals away from the work area, small parts could choke if swallowed.
- Make sure you have enough space to layout the parts before starting.

- Do not stand on the product, this could cause damage.
- Assemble the item as close to its final position (in the same room) as possible.
- Assemble on a soft level surface to avoid damaging the unit or your floor.
- Parts of the assembly will be easier with 2 people.



- We do not recommend the use of power drill/drivers **for inserting screws**, as this could damage the unit. Only use hand screwdrivers.
- Dispose of all packaging carefully and responsibly.

Care and maintenance

- Only clean using a damp cloth and mild detergent, do not use bleach or abrasive cleaners.
- From time to time check that there are no loose screws on this unit.
- This product should not be discarded with household waste. Take to your local authority waste disposal centre.

Keep These Instructions For Future Reference

- This product complies with BS EN14749:2005
- Argos plc
489-499 Avebury Boulevard
Central Milton Keynes
MK9 2NW
- Batch No./Date of manufacture:

Warning

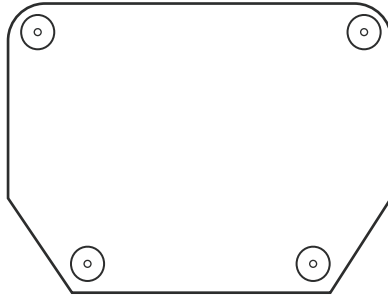
- Do not place very hot or very cold items against or in close proximity to glass surfaces unless an adequately thick insulating material is used to prevent such items from coming into contact with the glass.
- Do not sit or stand upon the glass surface(s).
- If a glass component is chipped or broken, stop using the product and consult the manufacturer or supplier.
- Do not use the glass as a chopping surface. Do not strike the glass with hard or pointed items.

Components - Panels

Please check you have all the panels listed below



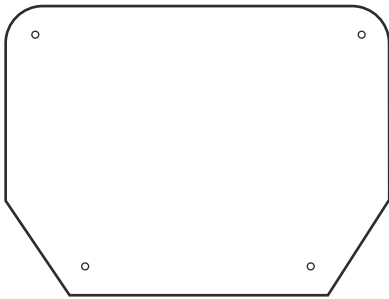
1 Metal rod x 4 (58 x 0.6cm)



2 Glass top (60x45cm)



3 Metal tube x4 (13.2 x 5cm)



4 Glass shelf x 3 (60 x 45cm)



5 Metal tube x 4 (22.3 x 5.08cm)



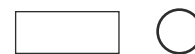
6 Metal Tube x4 (6.2x 5 cm)



7 Feet x 4 (5x1.4cm)

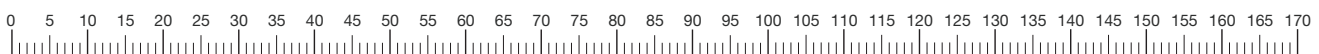


8 plastic pad x 24 (5x1.4cm)



9 Metal tube x4 (14.2 x 5cm)

Ruler -Use this ruler to help correctly identify the screws

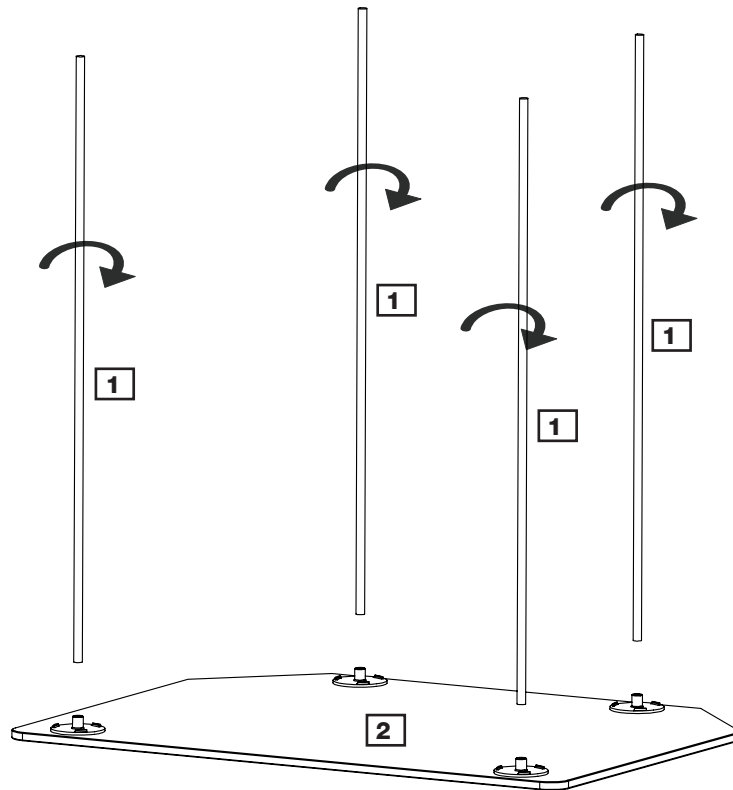


Assembly Instructions

Step 1

Attaching rods

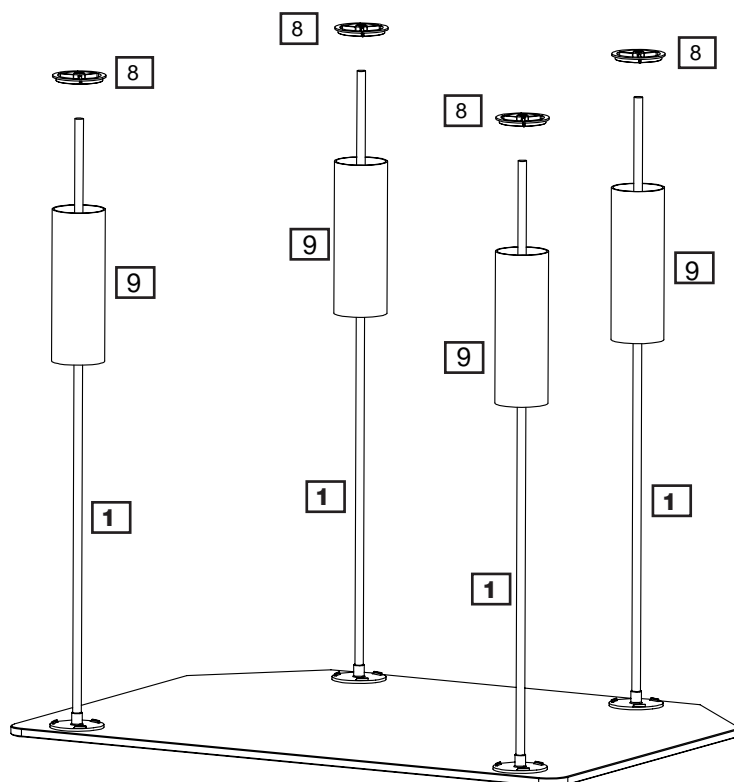
Finger tighten 4 pcs of metal rods **1** onto glass top **2** as shown.



Step 2

Attaching tubes

Attach 4 pcs of metal tubes **9** and 4 pcs of plastic pad **8** through 4 pcs of metal rods **1** as shown.

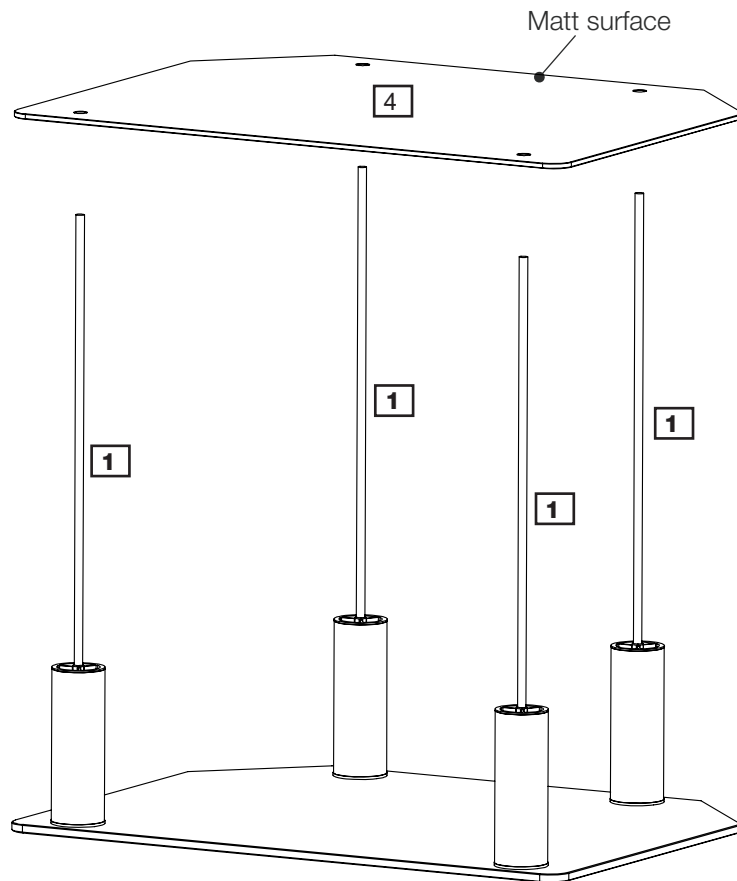


Assembly Instructions

Step 3

Attaching shelf

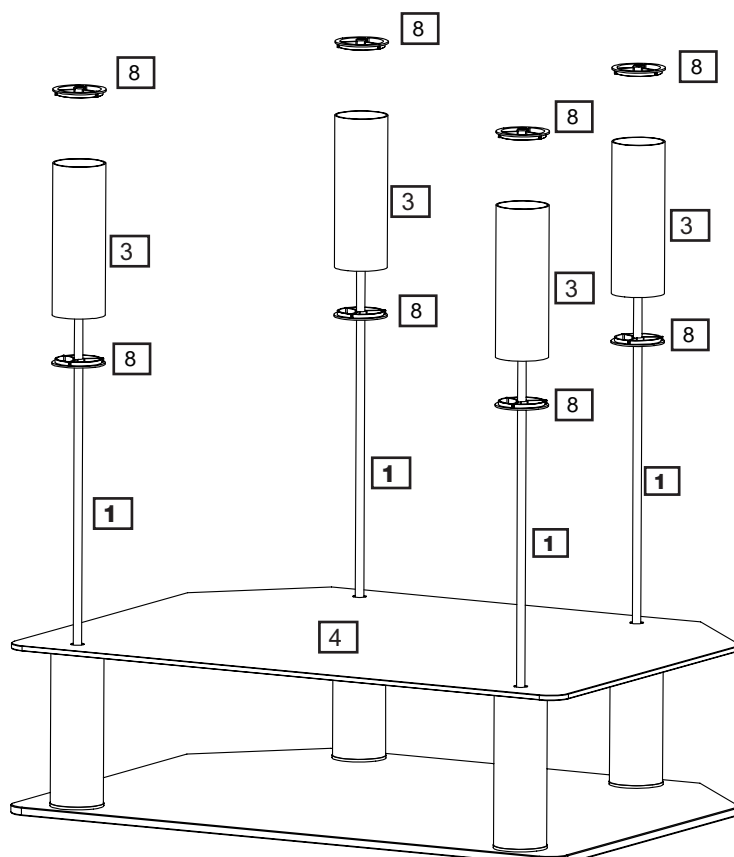
Please be careful to place glass shelf **4** through 4 pcs of metal rods **1** as shown.



Step 4

Attaching tubes

Attach 4 pcs of metal tube **3** and 8 pcs of plastic pad **8** through 4 pcs of metal rods **1** as shown.

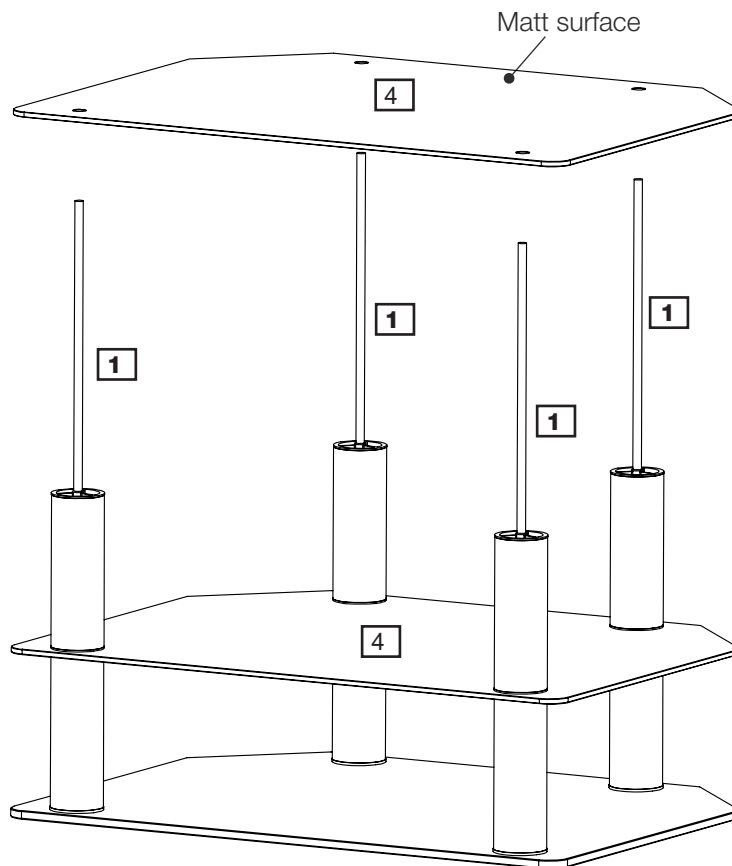


Assembly Instructions

Step 5

Attaching shelf

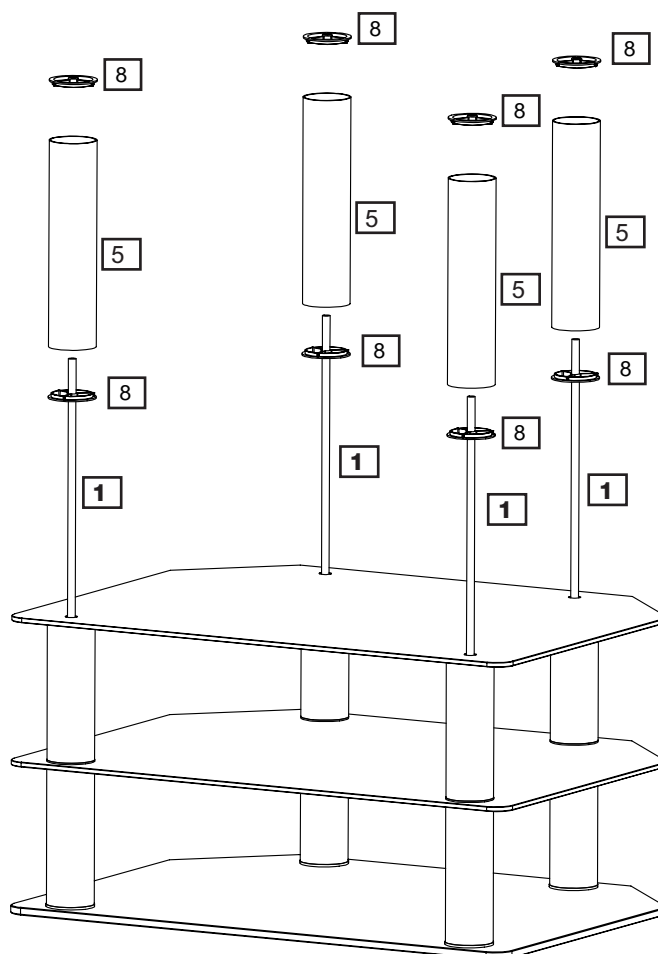
Please be careful to place glass shelf **4** through 4 pcs of metal rods **1**.



Step 6

Attaching tubes

Attach 4 pcs of metal tubes **5** and 8 pcs of plastic pad **8** through 4 pcs of metal rods **1** as shown.

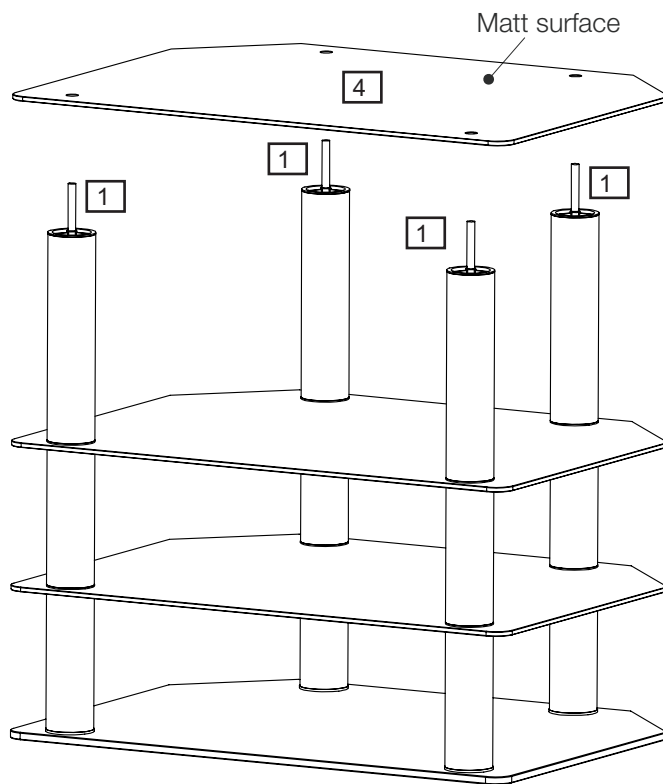


Assembly Instructions

Step 7

Attaching shelf

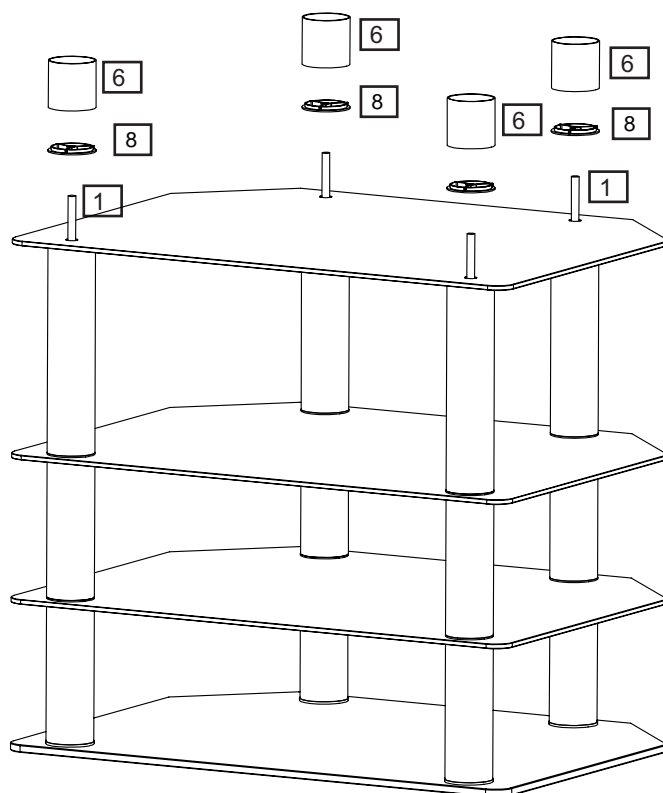
Please be careful to place glass shelf **4** through 4 pcs of metal rods **1** as shown.



Step 8

Attaching tubes

Attach 4 pcs of metal tubes **6** and 4 pcs of plastic pad **8** through 4 pcs of metal rods **1** as shown.

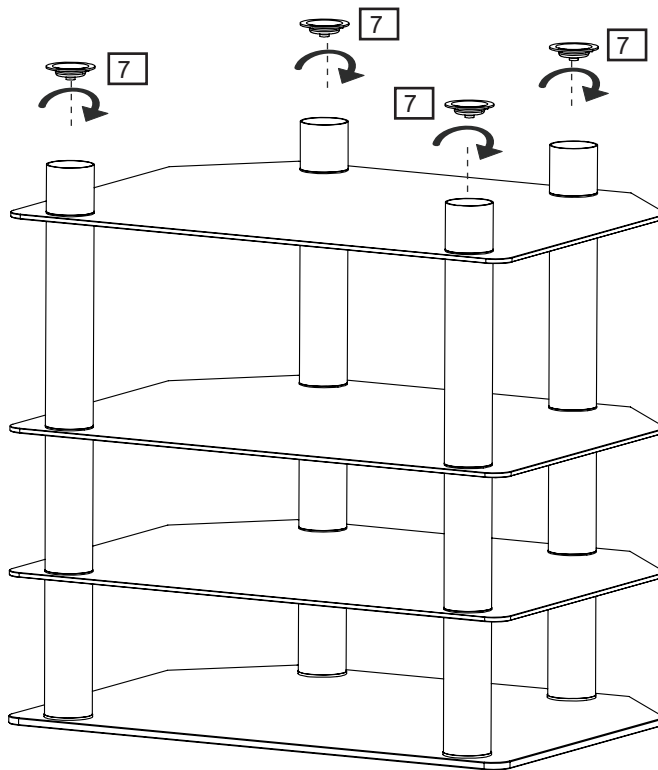


Assembly Instructions

Step 9

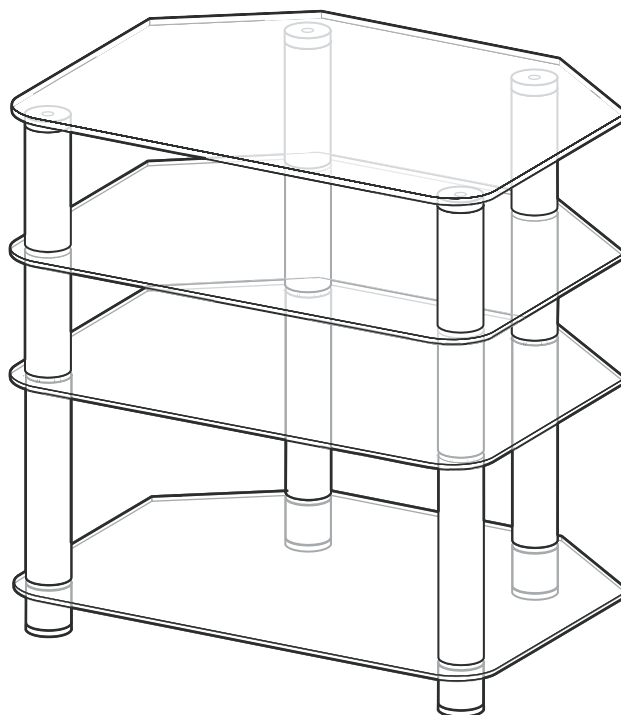
Attaching feet

Finger tighten 4 pcs of feet **7** onto the unit as shown.



Step 10

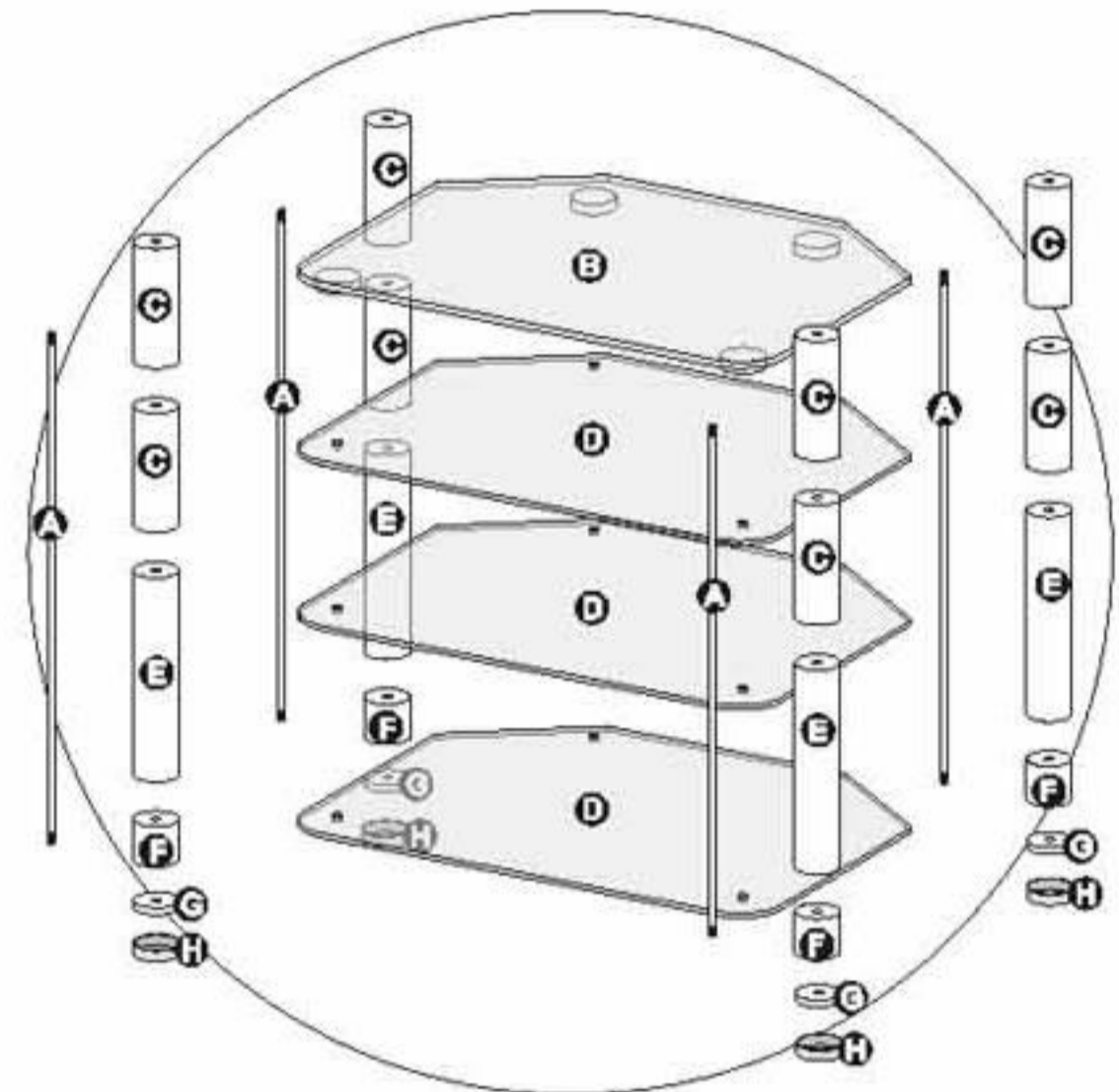
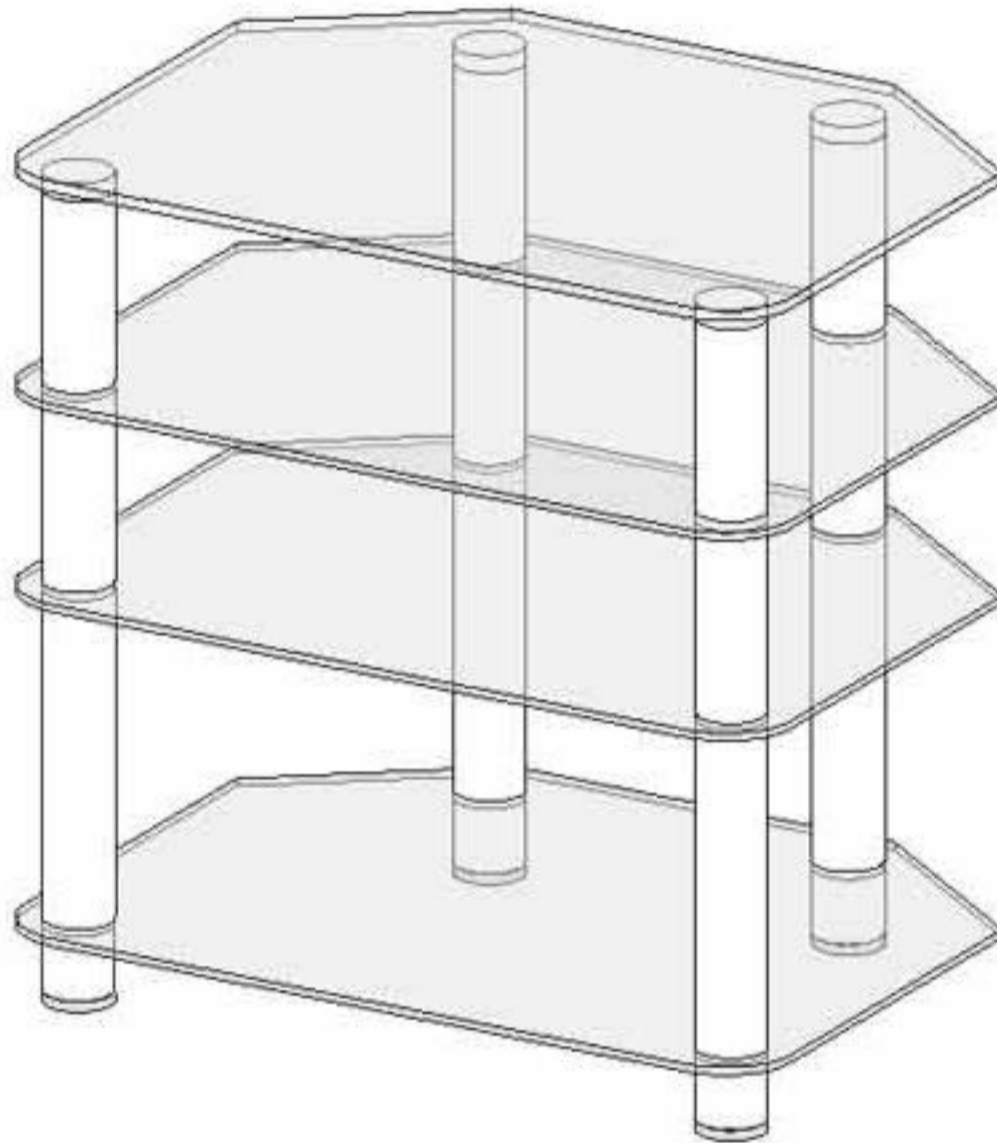
Assembly is completed.



If you need help or have damaged or missing parts, call the **Customer Helpline: 08456 400800**

Matrix Glass / Metal HiFi Unit

Simplified Assembly Instructions - Please keep for future reference



IMPORTANT

1. Read these instructions carefully and familiarise yourself with the procedures before assembling the unit.
2. Check that you have all the component parts. Follow the list on the back cover and familiarise yourself with each part before proceeding.
3. Take all the fittings out of the plastic bag and separate them into their groups.
4. Ensure you have enough space to lay out all parts before assembly.
5. To avoid scratches, it is recommended that you assemble the unit on a soft leveled surface.

WARNING

- Do not place very hot or cold items on the glass surface(s) unless adequately thick table mats are used to prevent such items from coming into contact with the glass.
- Do not sit or stand upon the glass surface(s)
- Do not strike the glass with hard or pointed items.
- The max shelf load should not exceed 5 Kgs
- When cleaning glass panels use a damp cloth or leather with washing up liquid or soft soap if necessary: do not use washing powders or any other substances containing abrasives since these substances scratch glass.

Marking BS 7376:2004 on or in relation to a product represents a manufacturer's declaration of conformity, i.e. a claim by or on behalf of the manufacturer that the product meets the requirements of the standard. The accuracy of the claim is therefore solely the responsibility of the person making the claim. Such a declaration is not to be confused with third party certification of conformity, which may also be desirable.

Instructions for BS 7449 for products (Cabinets, shelving systems and a wall hung or free standing mirrors) which include glass

KEEP THESE INSTRUCTIONS FOR FUTURE REFERENCE

BS 7449: 1991
Argos plc
489-499 Avebury Boulevard
Central Milton Keynes
MK9 2NW

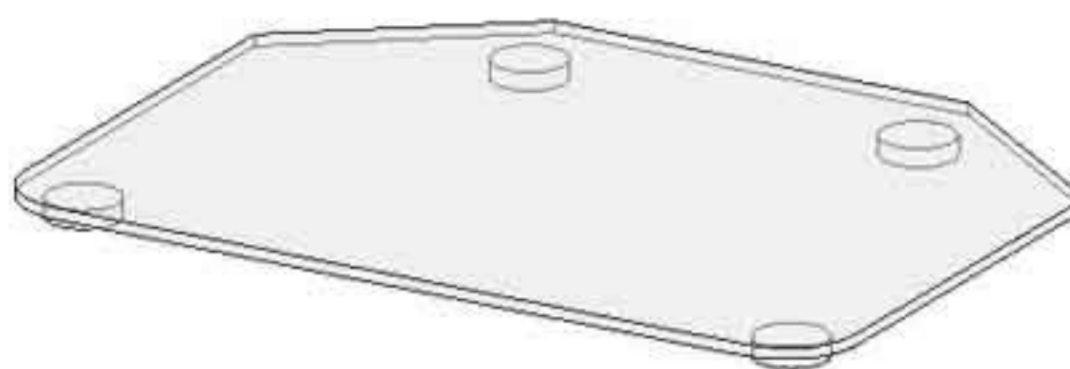
Product Name : **Matrix Glass / Metal HiFi Unit 610 / 8566**
Batch Number : **051284**
Date of Manufacture : **Oct 2005**
This shelf unit contains 5.0mm thickness BS 6206 Class A toughened glass

If the glass is chipped or broken stop using the product and consult the manufacturer or supplier

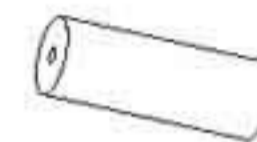
Components



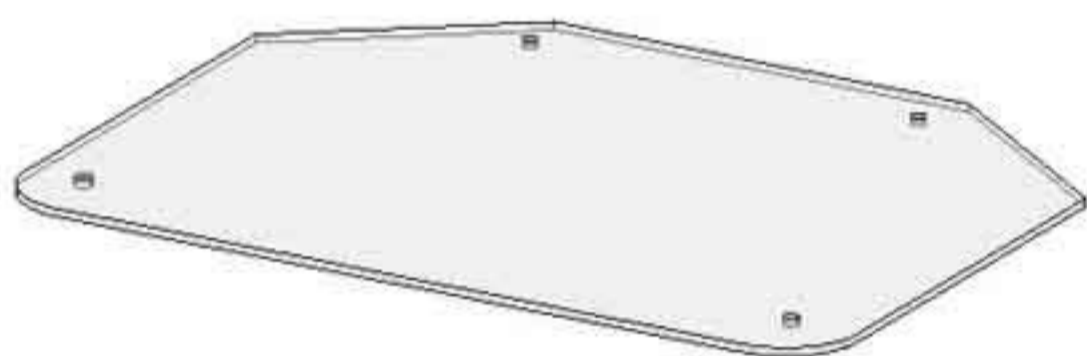
A Metal Rod x 4



B Glass Top x 1



C Metal Tube x 8



D Glass Shelf x 3



E Metal Tube x 4



F Metal Tube x 4



G Metal Feet x 4



H Feet Cap x 4

Assembly Instructions

Stage 1 - Fitting Metal Rod A and Glass Top B and D

fig 1

Finger tighten 4 pcs of Metal Rods **A** onto Glass Top **B** as shown.

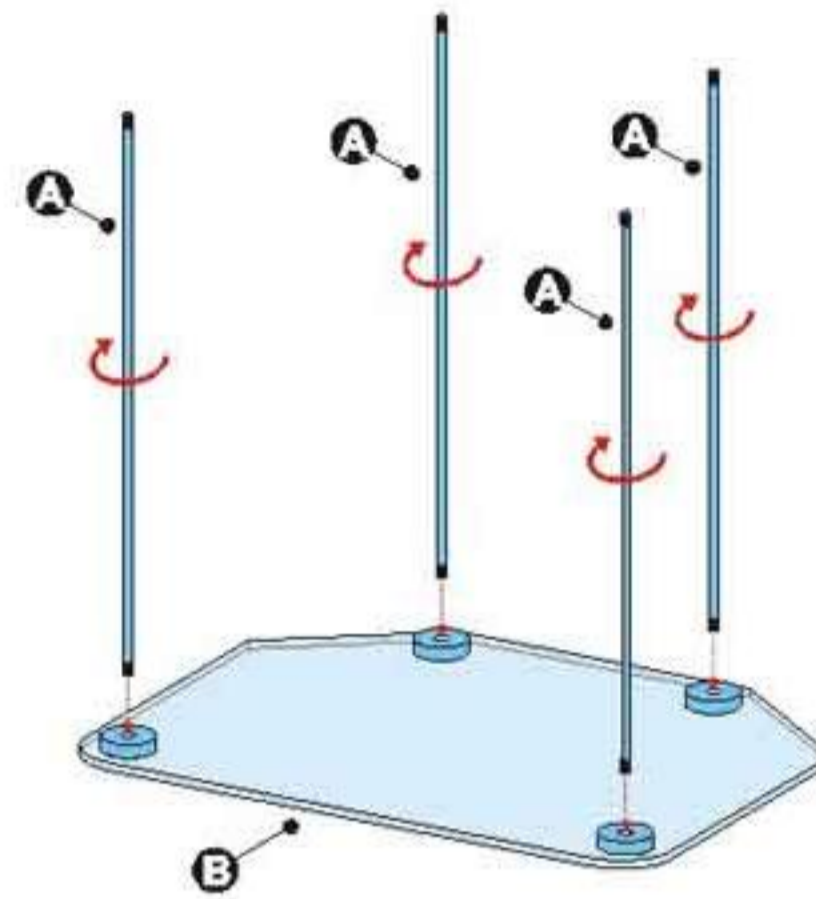


fig 2

Attach 4 pcs of Metal Tubes **C** through 4 pcs of Metal Rods **A** as shown.

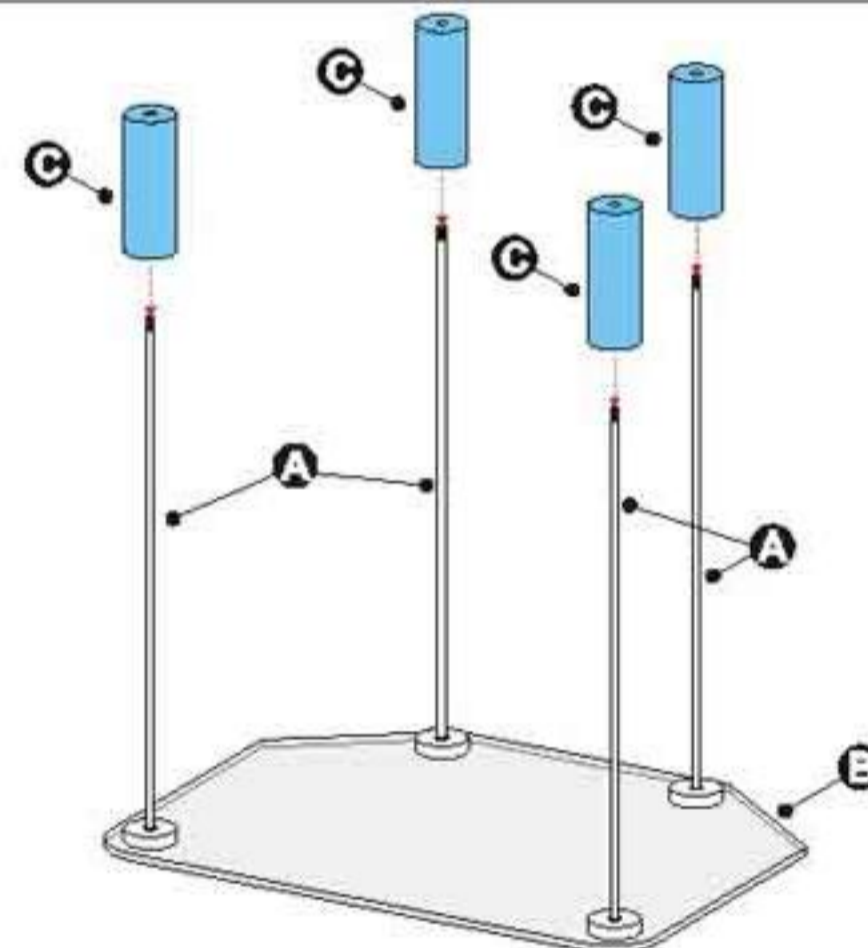
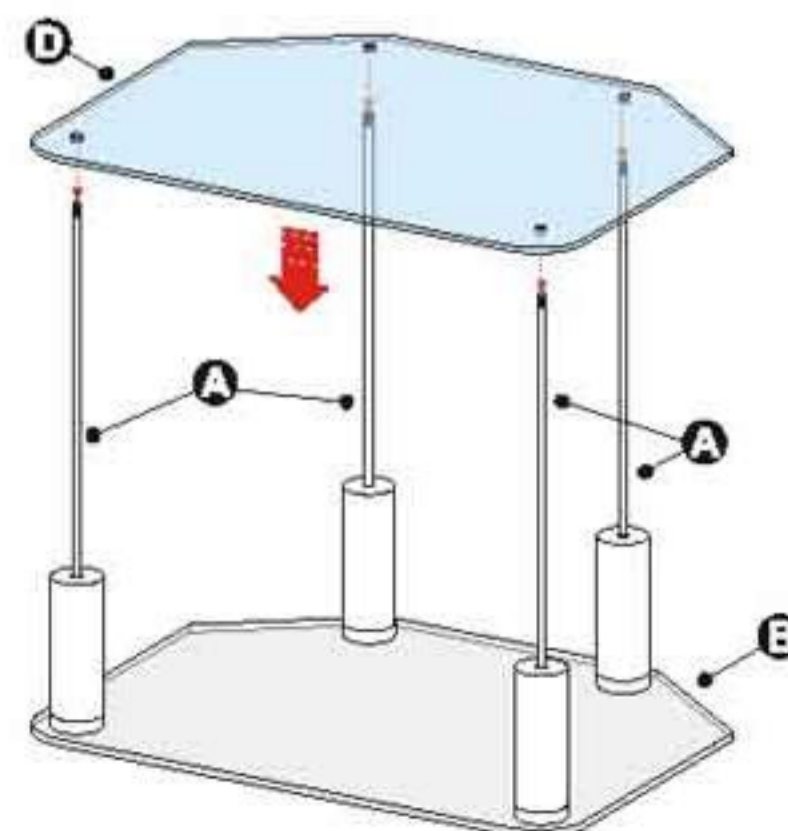


fig 3

Please be careful to place Glass Shelf **D** through 4 pcs of Metal Rods **A** as shown.



Assembly Instructions

Stage 2 - Fitting Glass Shelf D and Metal Tube C and E

fig 4

Attach 4 pcs of Metal Tubes **C** through 4 pcs of Metal Rods **A** as shown.

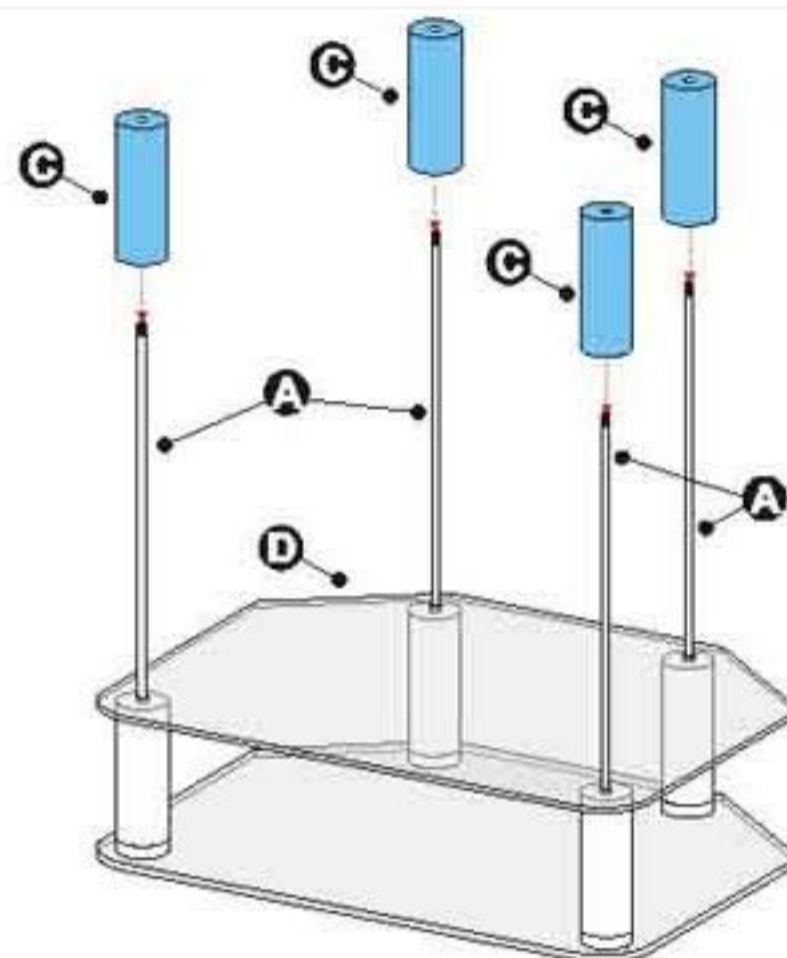


fig 4

fig 5

Please be careful to place Glass Shelf **D** through 4 pcs of Metal Rods **A**.

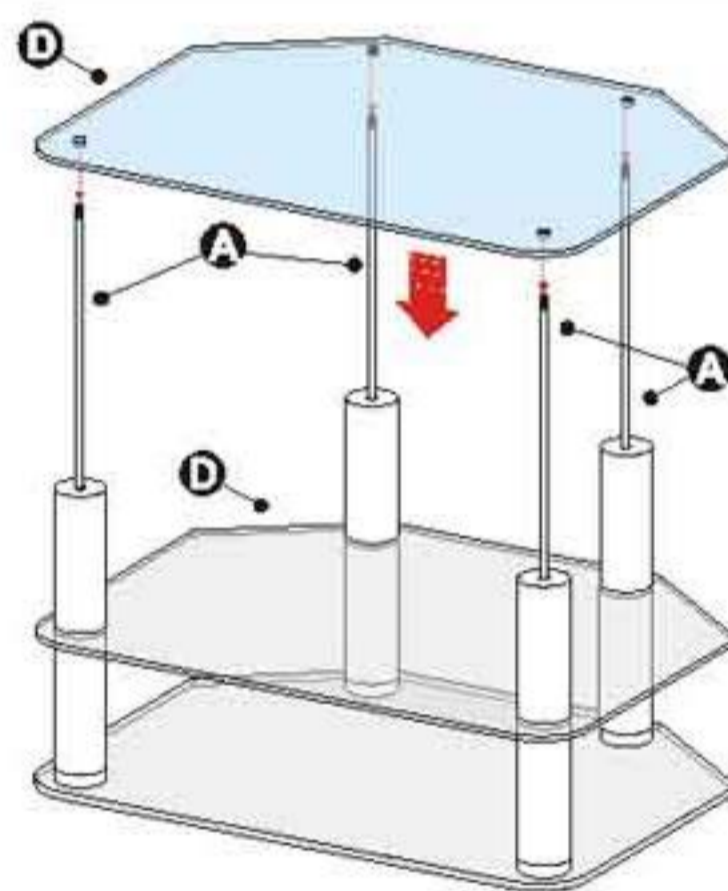


fig 5

fig 6

Attach 4 pcs of Metal Tubes **E** through 4 pcs of Metal Rods **A**.

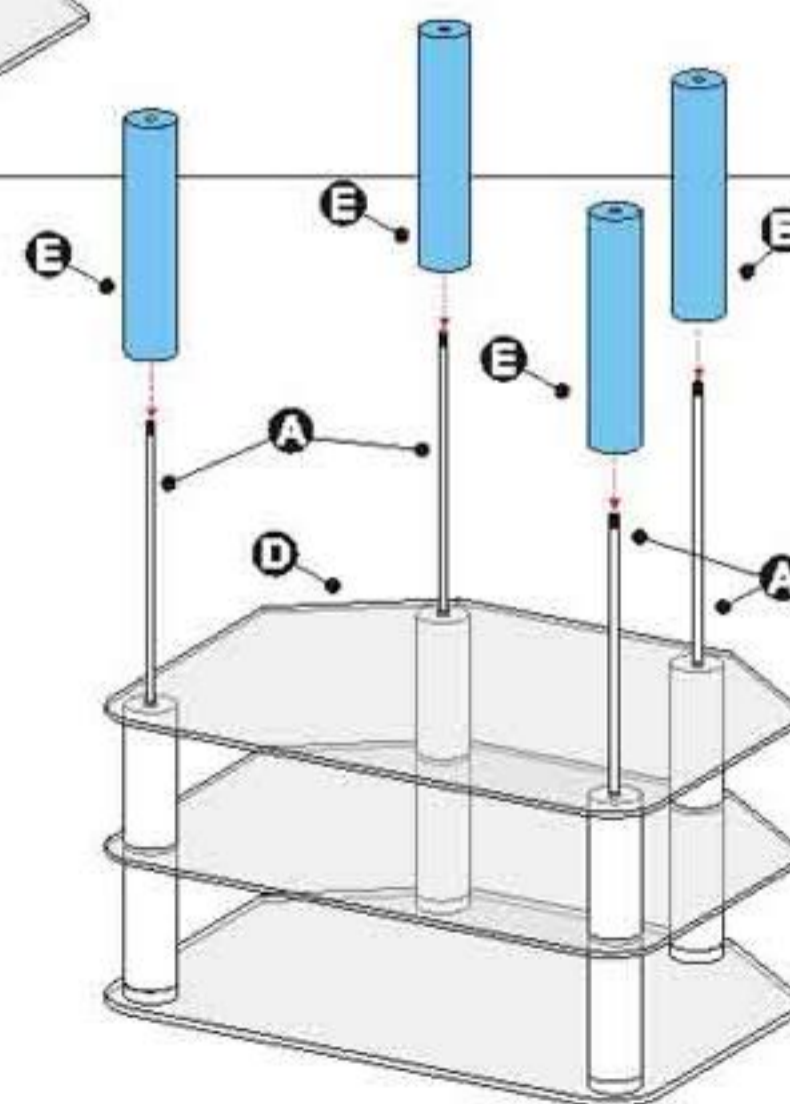


fig 6

Assembly Instructions

Stage 3 - Fitting Glass Shelf D and Metal Tube F and Metal Feet G

fig 7

Please be careful to place Glass Shelf **D** through 4 pcs of Metal Rods **A**.

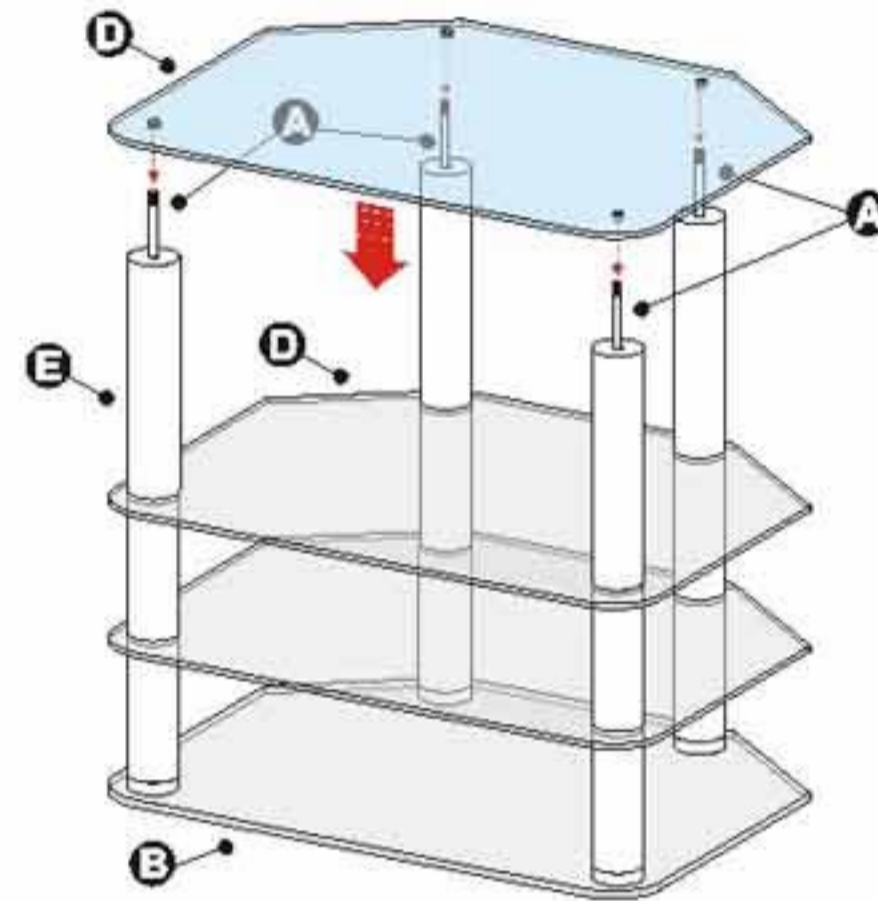


fig 8

Attach 4 pcs of Metal Tubes **F** through 4 pcs of Metal Rods **A**.

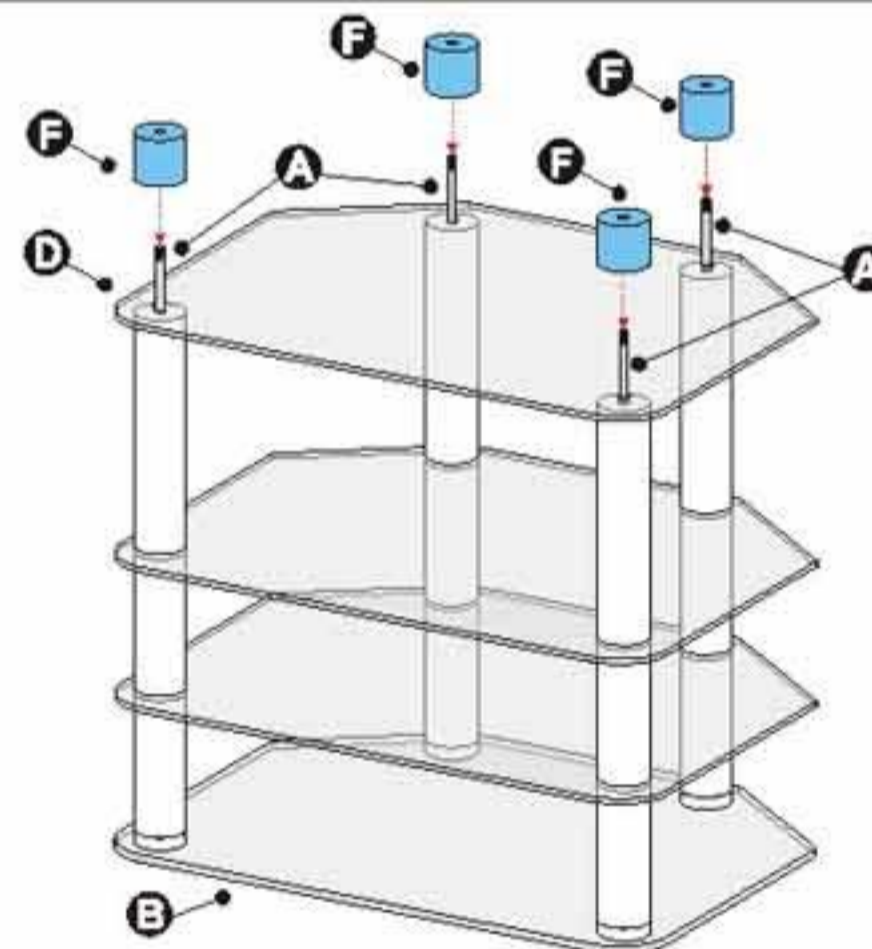
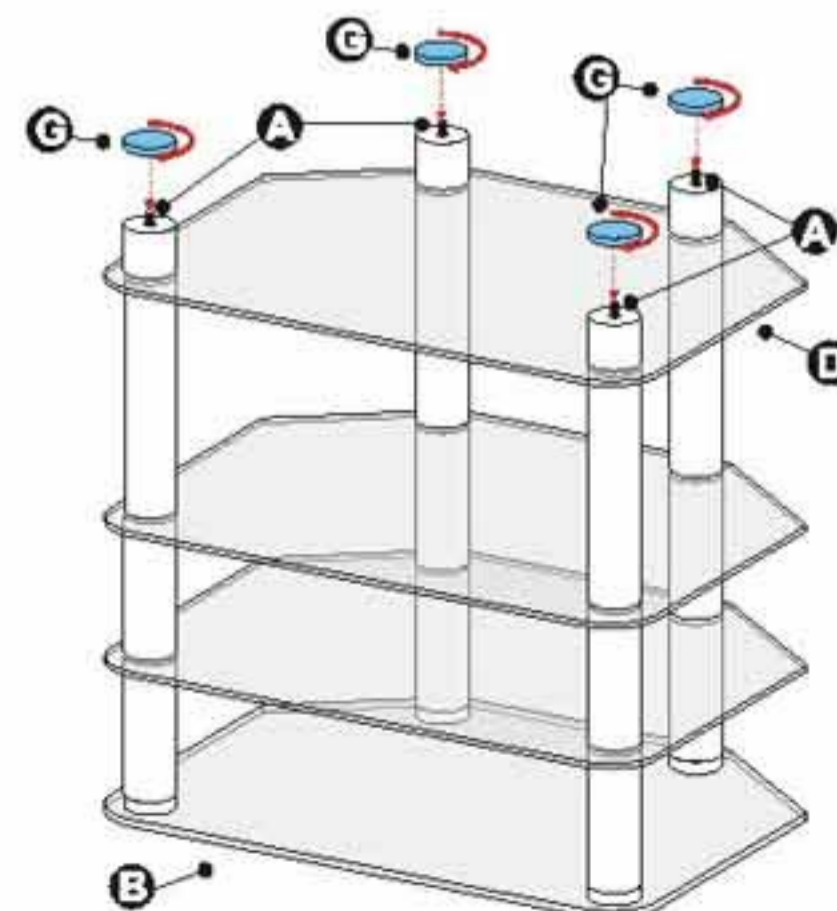


fig 9

Tighten 4 pcs of Metal Feet **G** onto the unit by hand as shown.



Assembly Instructions

Stage 4 - Fitting Feet Cap H Turn the Unit Over and Completed

fig 10

Attach the feet cap **H** onto the unit as shown.

fig 10

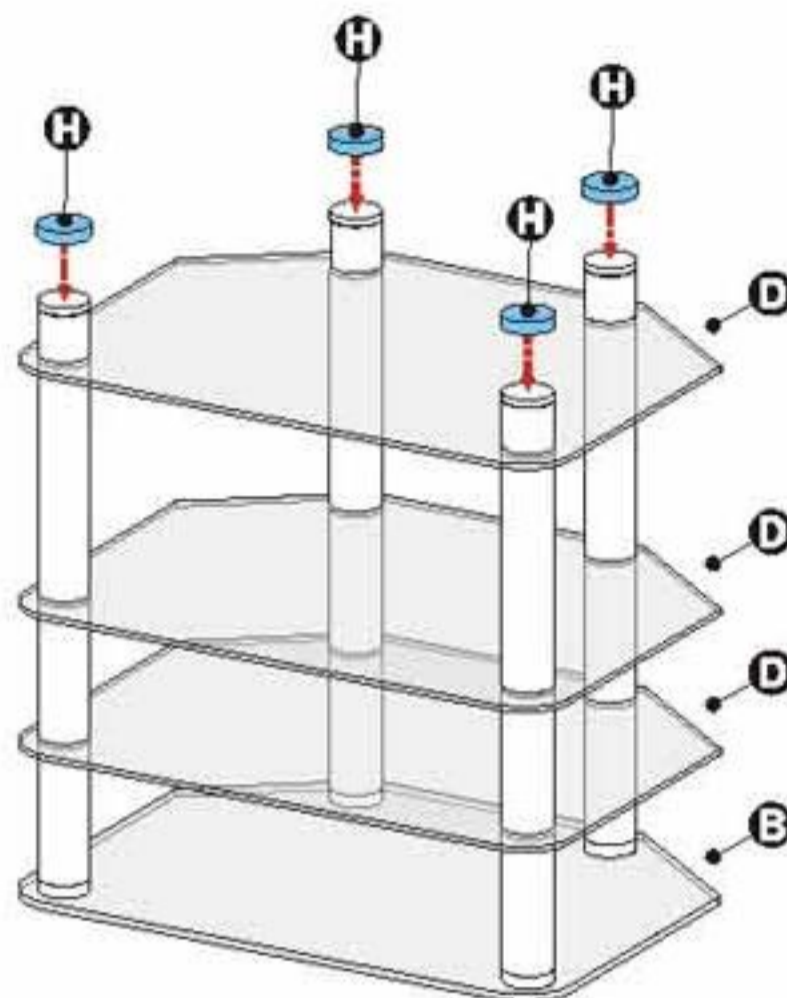
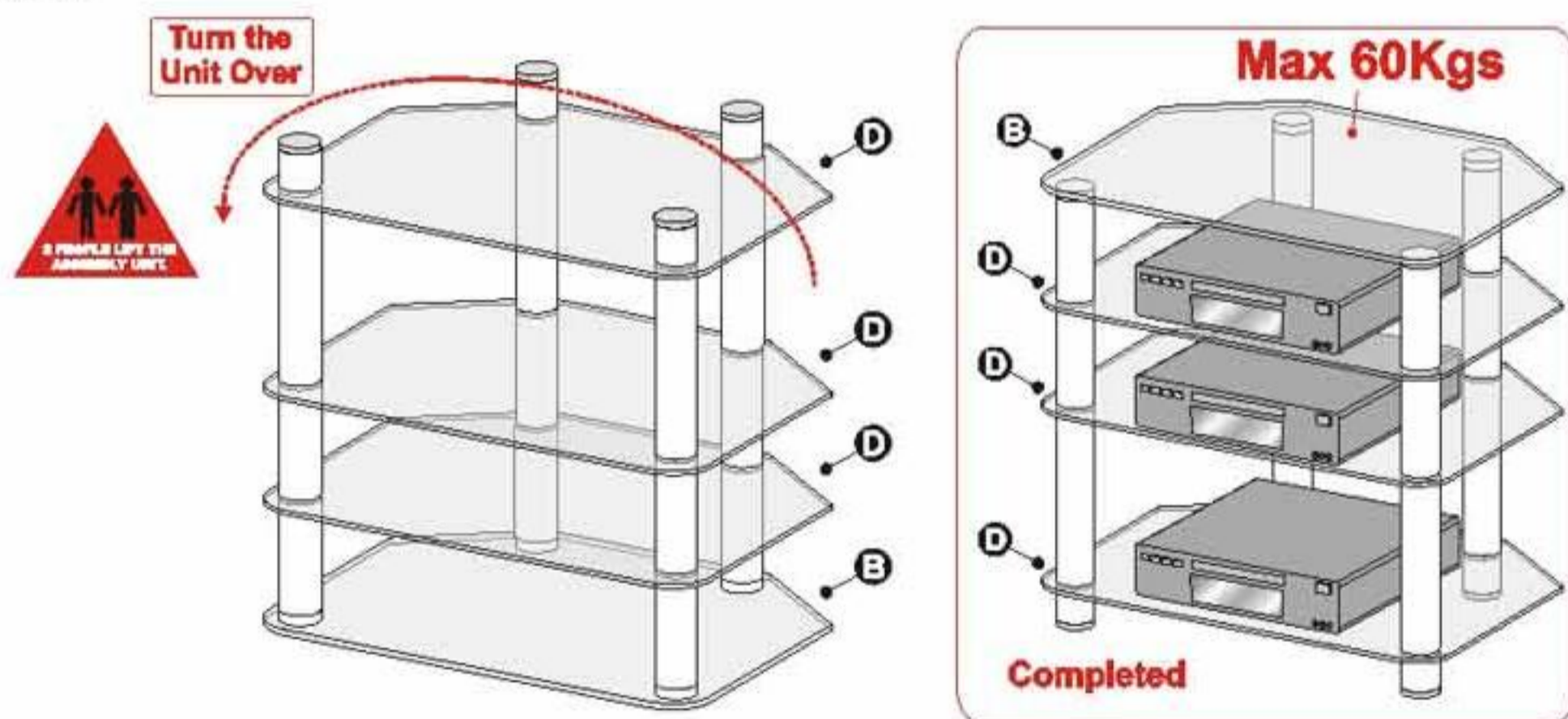


fig 11

Please check carefully if all parts are tighten before turn the unit over.

Completed

fig 11



Care and Maintenance

Cleaning

Clean all surfaces with a damp cloth and mild detergent. Please do not use bleach or abrasive products.

Fitting

From time to time check to ensure the screws and legs remain rigid.