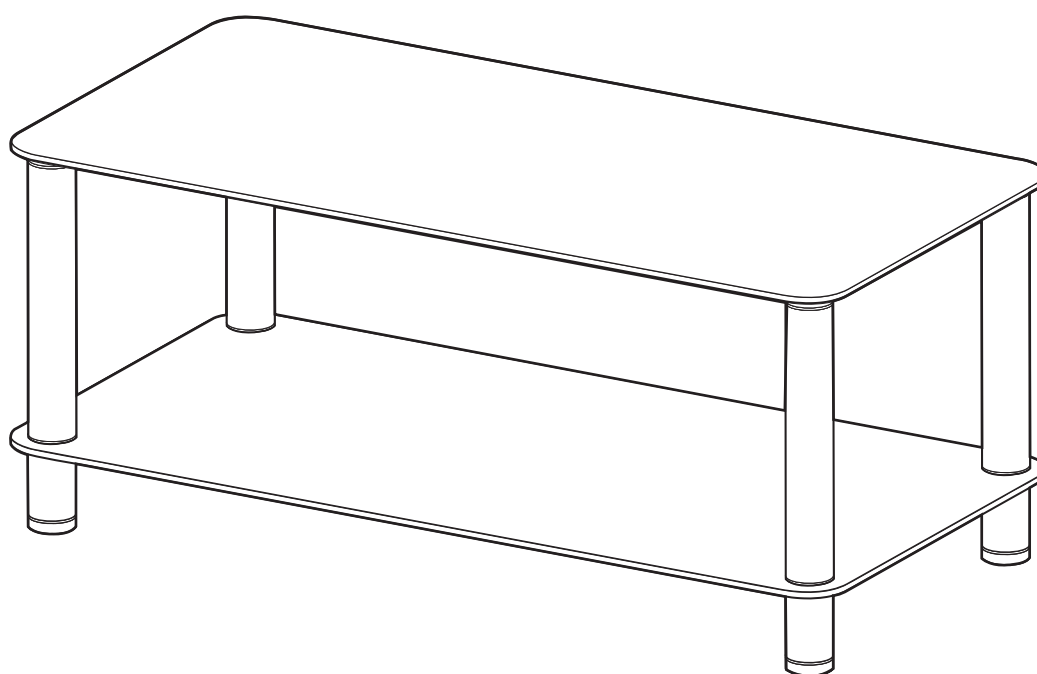


Matrix - Glass Coffee Table

Assembly Instructions - Please keep for future reference

610/8267

609/0708



Dimensions

Width - 100cm

Depth - 50cm

Height - 45cm

Important - Please read these instruction fully before starting assembly

If you need help or have damaged or missing parts, call the **Customer Helpline: 08456 400800**

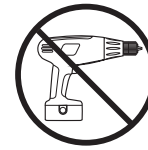


Safety and Care Advice

Important - Please read these instructions fully before starting assembly

- Check you have all the components and tools listed on pages 2.
- Remove all fittings from the plastic bags and separate them into their groups.
- Keep children and animals away from the work area, small parts could choke if swallowed.
- Make sure you have enough space to layout the parts before starting.

- Do not stand on the product, this could cause damage.
- Assemble the item as close to its final position (in the same room) as possible.
- Assemble on a soft level surface to avoid damaging the unit or your floor.
- Parts of the assembly will be easier with 2 people.



- We do not recommend the use of power drill/drivers **for inserting screws**, as this could damage the unit. Only use hand screwdrivers.
- Dispose of all packaging carefully and responsibly.

Care and maintenance

- Only clean using a damp cloth and mild detergent, do not use bleach or abrasive cleaners.
- From time to time check that there are no loose screws on this unit.
- This product should not be discarded with household waste. Take to your local authority waste disposal centre.

Keep These Instructions For Future Reference

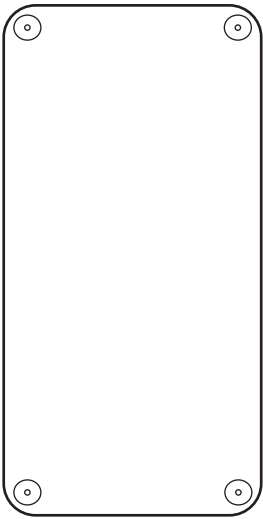
- This product complies with BS 7376:2004
- Argos plc
489-499 Avebury Boulevard
Central Milton Keynes
MK9 2NW
- Batch No./Date of manufacture:

Warning

- Do not place very hot or very cold items against or in close proximity to glass surfaces unless an adequately thick insulating material is used to prevent such items from coming into contact with the glass.
- Do not sit or stand upon the glass surface(s).
- If a glass component is chipped or broken, stop using the product and consult the manufacturer or supplier.
- Do not use the glass as a chopping surface. Do not strike the glass with hard or pointed items.

Components - Panels

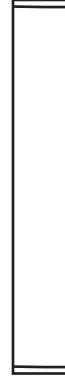
Please check you have all the panels listed below



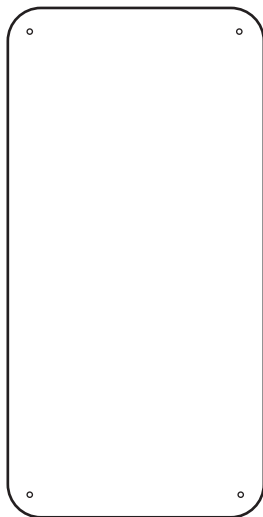
1 Glass top (100 x 50cm)



2 Metal rod x 4 (43.5 x 0.8 cm)



3 Metal tube x 4 (32.5 x 5.08cm)



4 Glass shelf (100 x 50 cm)



5 Metal tube x 4 (5.08 x 8cm)



6 Feet x 4 (5.2x 1.4cm)

Ruler - Use this ruler to help correctly identify the screws

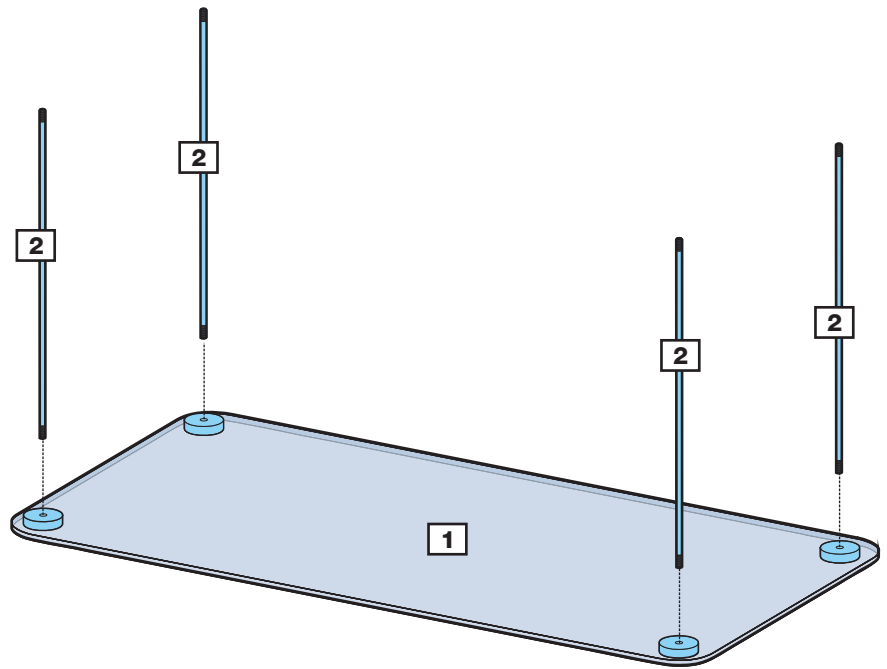


Assembly Instructions

Step 1

Attaching rods

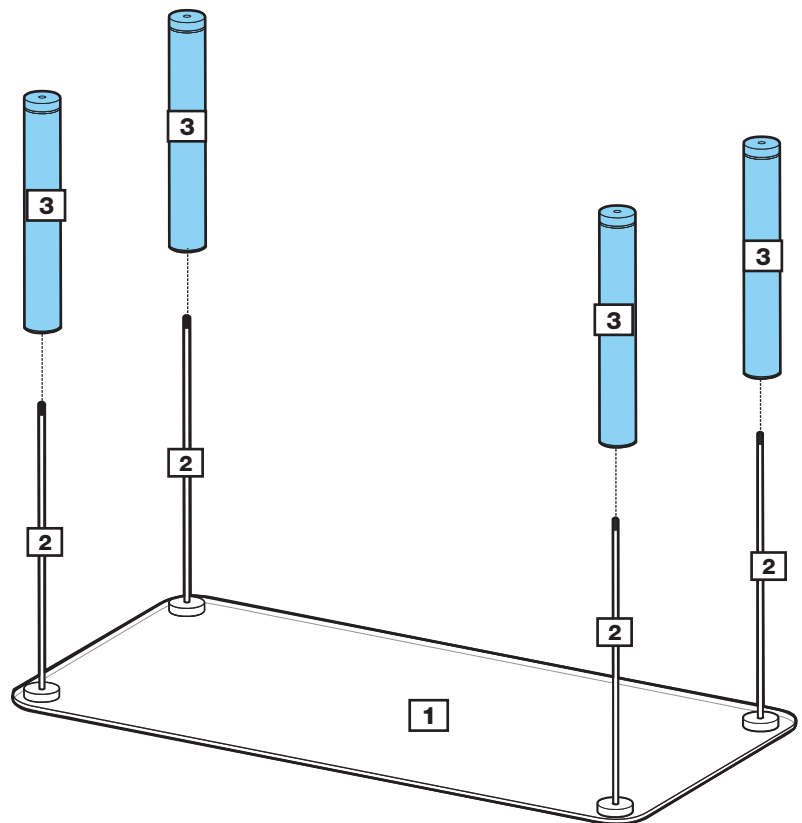
Finger tighten 4 pcs of metal rods **2** onto glass top **1** as shown.



Step 2

Attaching tubes

Attach 4 pcs of metal tube **3** through 4 pcs of metal rods **2** as shown.

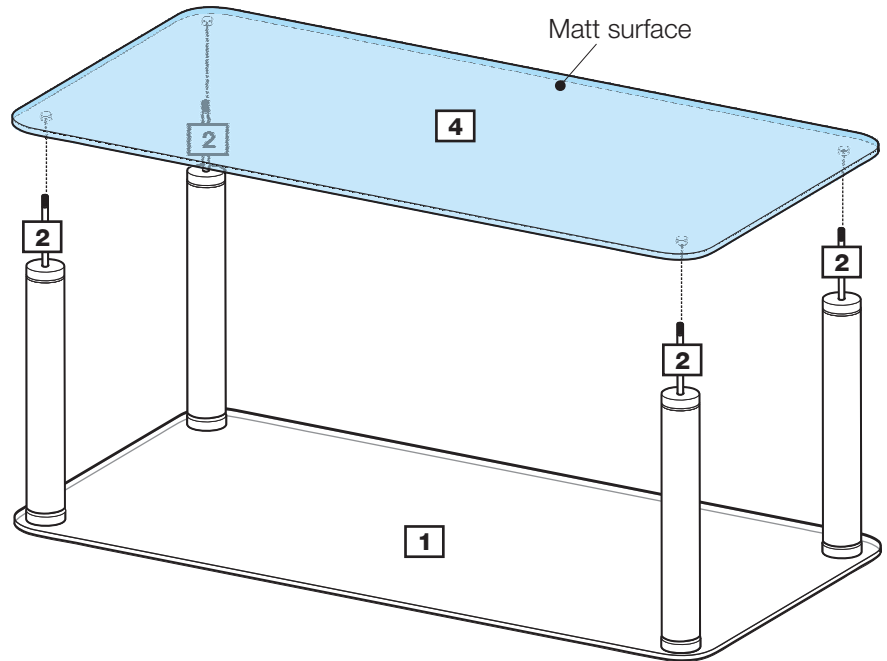


Assembly Instructions

Step 3

Attaching shelf

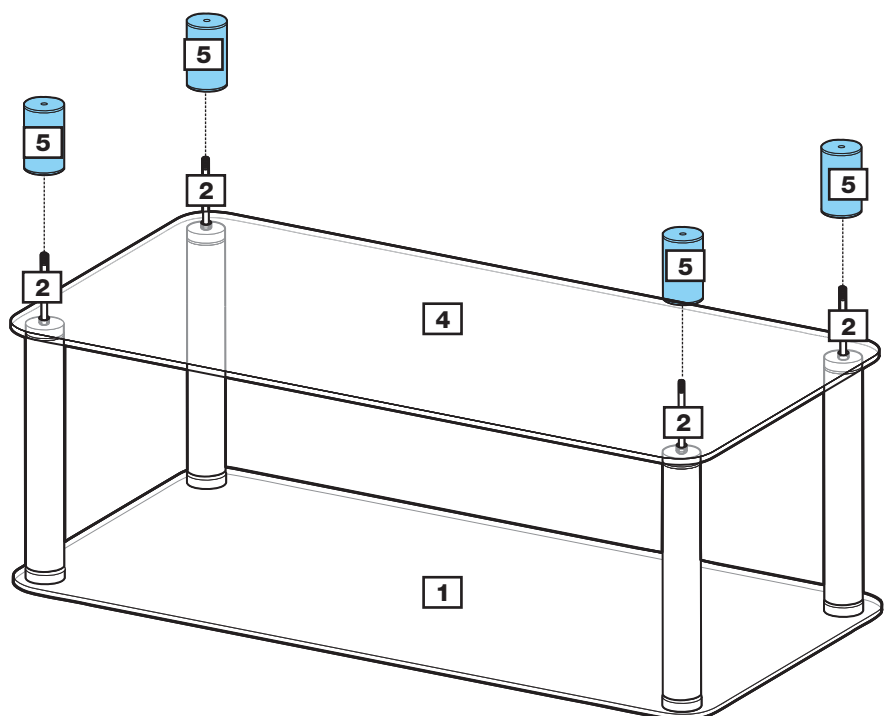
Please be careful to place glass shelf **4** through 4 pcs of metal rods **2** as shown.



Step 4

Attaching rods

Attach 4 pcs of metal tube **5** through 4 pcs of metal rods **2** as shown.

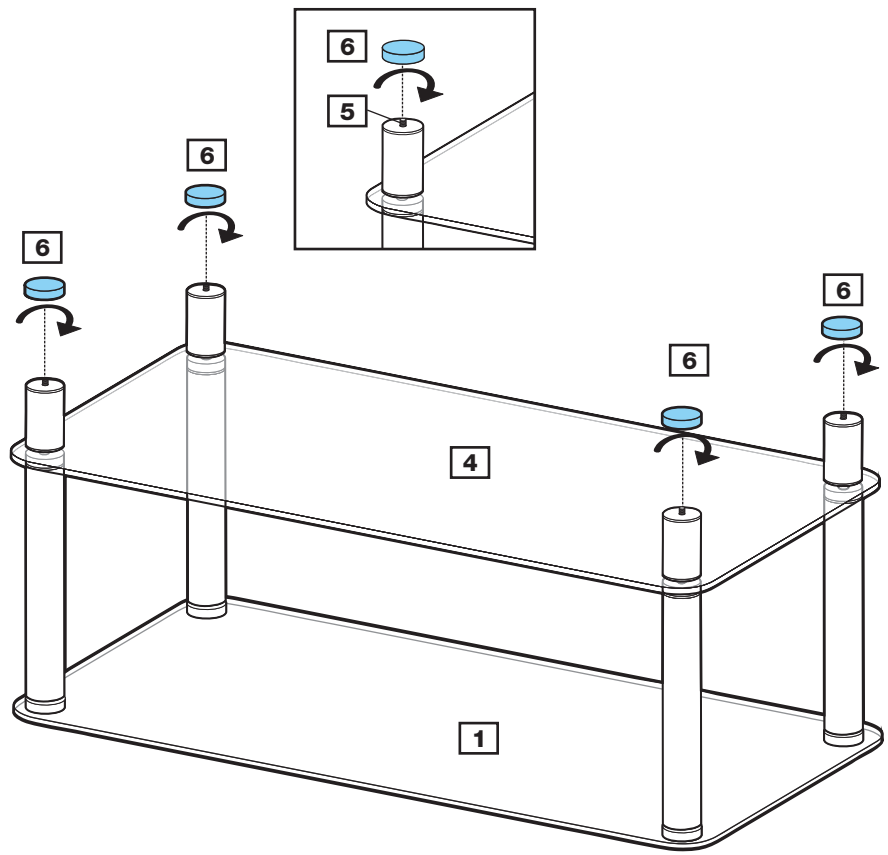


Assembly Instructions

Step 5

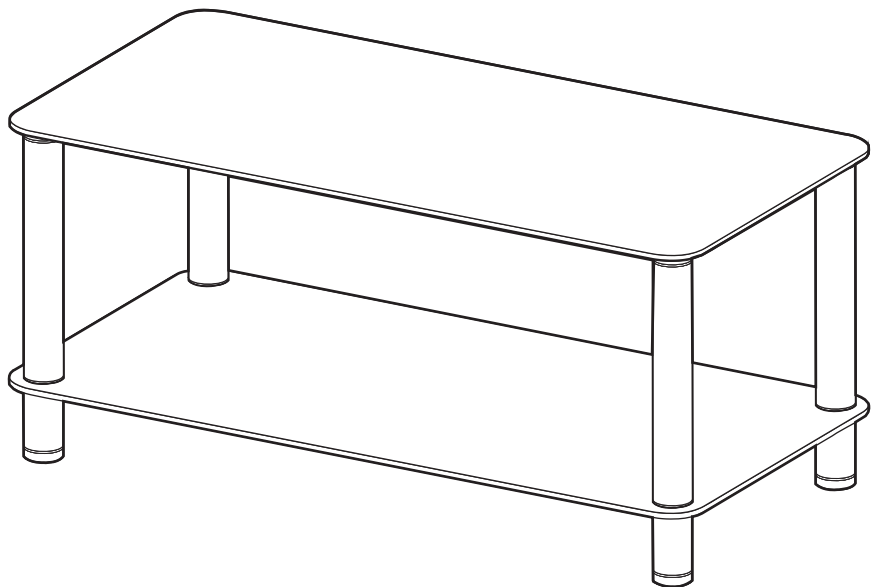
Attaching feet

Finger tighten 4 pcs of feet **6** onto the unit as shown.



Step 6

Assembly is completed.



If you need help or have damaged or missing parts, call the Customer Helpline: 08456 400800

Matrix - Glass Coffee Table

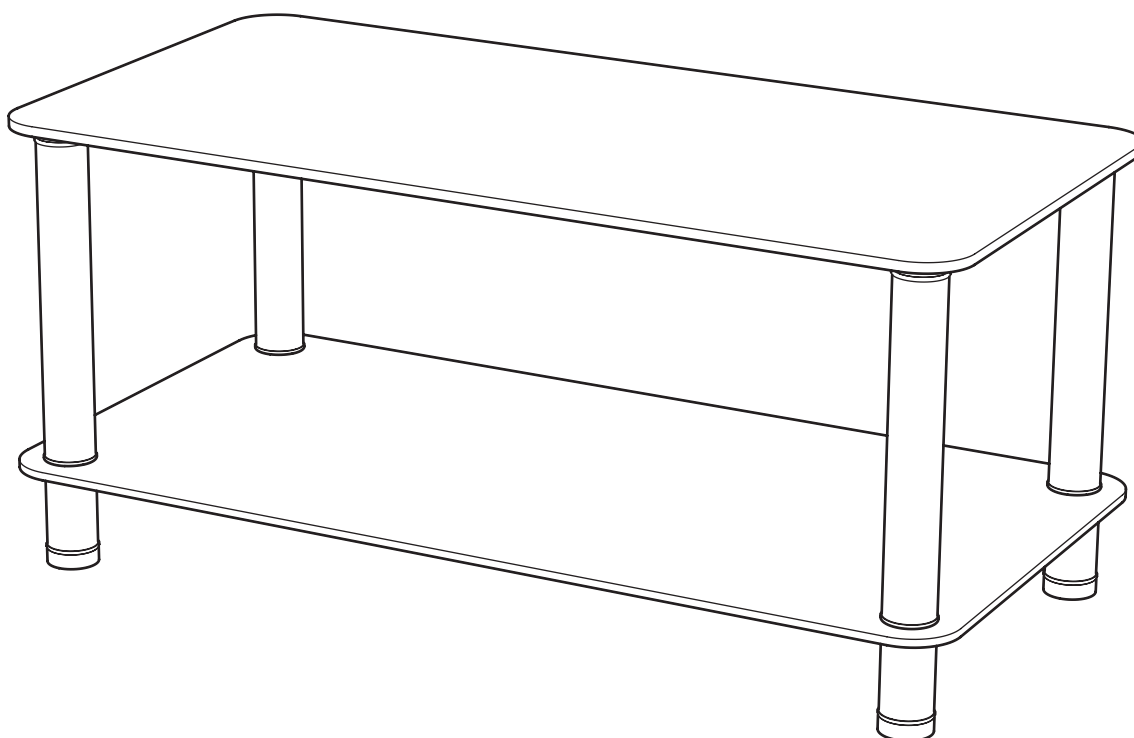
Assembly Instructions - Please keep for future reference

610/8267

609/0708

609/2847

43928



Dimensions

Width - 100cm

Depth - 50cm

Height - 45cm

Important - Please read these instructions fully before starting assembly

If you need help or have damaged or missing parts, call the **Customer Helpline: 08456 400800**



Safety and Care Advice

Important - Please read these instructions fully before starting assembly

- Check you have all the components and tools listed on pages 2.
- Remove all fittings from the plastic bags and separate them into their groups.
- Keep children and animals away from the work area, small parts could choke if swallowed.
- Make sure you have enough space to layout the parts before starting.

- Do not stand on the panels, this could cause damage.
- Assemble the unit as close to its final position (in the same room) as possible.
- Assemble on a soft level surface to avoid damaging the unit or your floor.
- Parts of the assembly will be easier with 2 people.



- We do not recommend the use of power drill/ drivers **for inserting screws**, as this could damage the unit. Only use hand screwdrivers.
- Dispose of all packaging carefully and responsibly.
- **Warning:** The unit weighs approximately 18.8kgs. **Please lift with care.**

Keep these instructions for future reference

• This product complies with BSEN14749.

• Argos Ltd. MK9 2NW.

• If a glass component is chipped or broken, stop using the product and consult the manufacturer supplier.

Warning

• Do not place very hot or very cold items against or in close proximity to glass surfaces unless an adequately thick insulating material is used to prevent such items from coming into contact with the glass.

• Do not strike the glass with hard or pointed items.

• When cleaning glass panels use a damp cloth or leather with washing up liquid or soft soap if necessary; do not use washing powders or any other substances containing abrasives since these substances scratch glass.

Care and maintenance

• Only clean using a damp cloth and mild detergent, do not use bleach or abrasive cleaners.

• From time to time check that there are no loose screws on this unit.

• This product should not be discarded with household waste. Take to your local authority waste disposal centre.

• Assembly to be carried out by the competent adult only.

• During assembly children should be kept away from the product due to the potential risk of injury.

• Do not use this item if any components are missing or damaged.

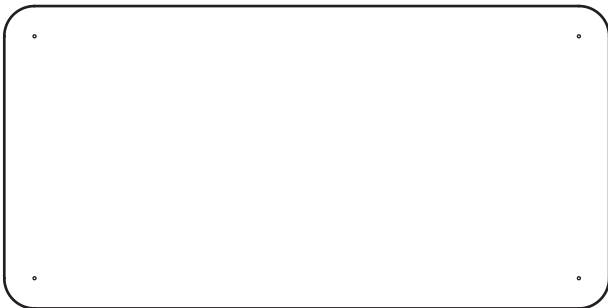
Components

If you have damaged or missing components, call the **Customer Helpline:08456 400800**

Please check you have all the panels listed below



1 Top (100 x 50cm)



2 Bottom (100 x 50cm)



3 Metal tube L x 4 (5 x 32.5cm)



4 Metal tube M x 4 (5 x 8cm)



5 Metal rod x 4 (0.7 x 43.5cm)

Components - Fittings

Please check you have all the fittings listed below

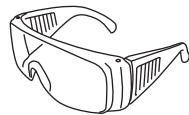
Note: The quantities below are the correct amount to complete the assembly. In some cases more fittings may be supplied than are required.



Tools required



Ruler/tape measure



Eye protection

Ruler - Use this ruler to help correctly identify the screws

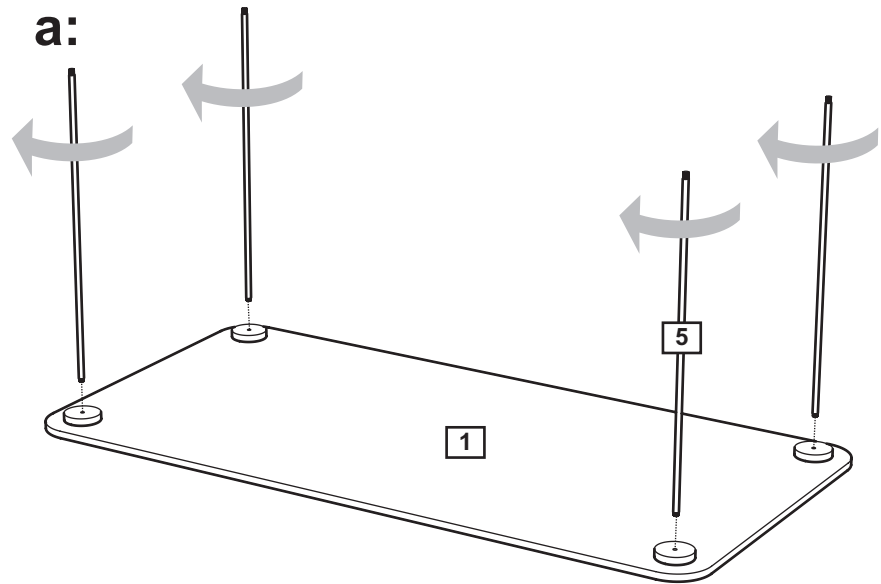


Assembly Instructions

Step 1

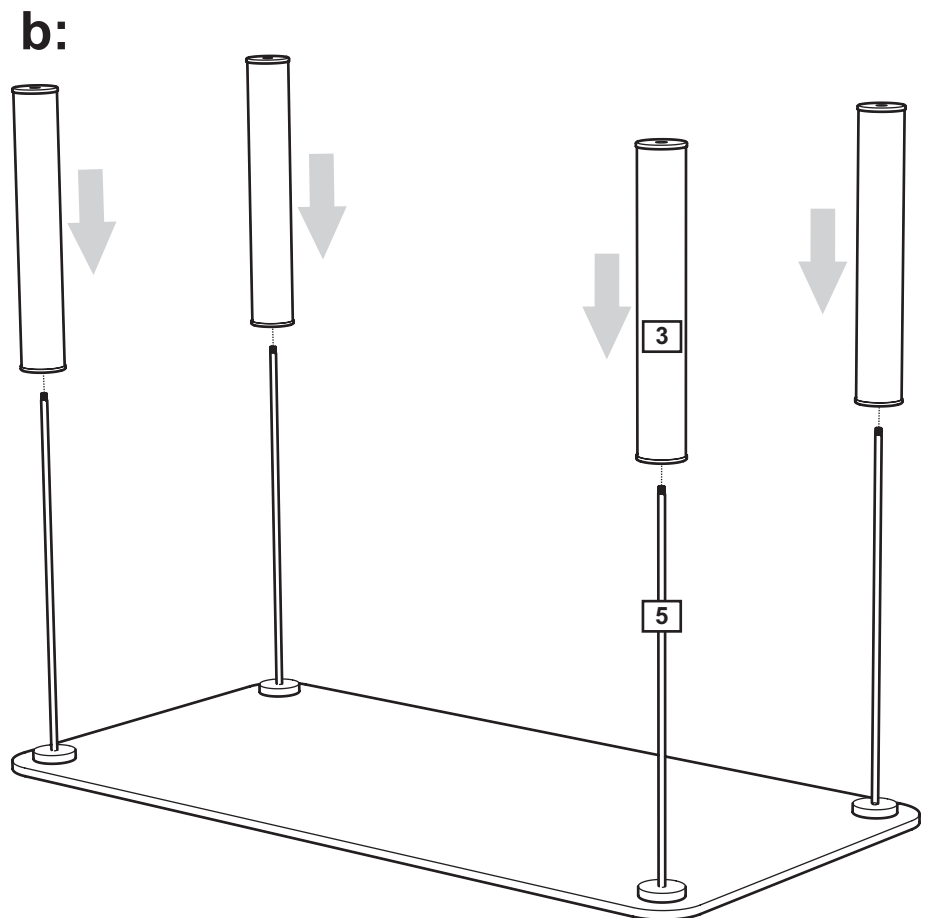
Fitting the rods

a: Screw in Metal rods **5** into Top **1**.



Note: It is recommended to wear an eye protection.

b: Attach Metal tubes L **3** through Metal Rods **5**.



Assembly Instructions

Step 2

Fitting shelf

Note: It would be useful to ask someone to help you at this stage.

a: With help, carefully place Shelf **2** onto the unit.

Note: It is recommended to wear an eye protection.

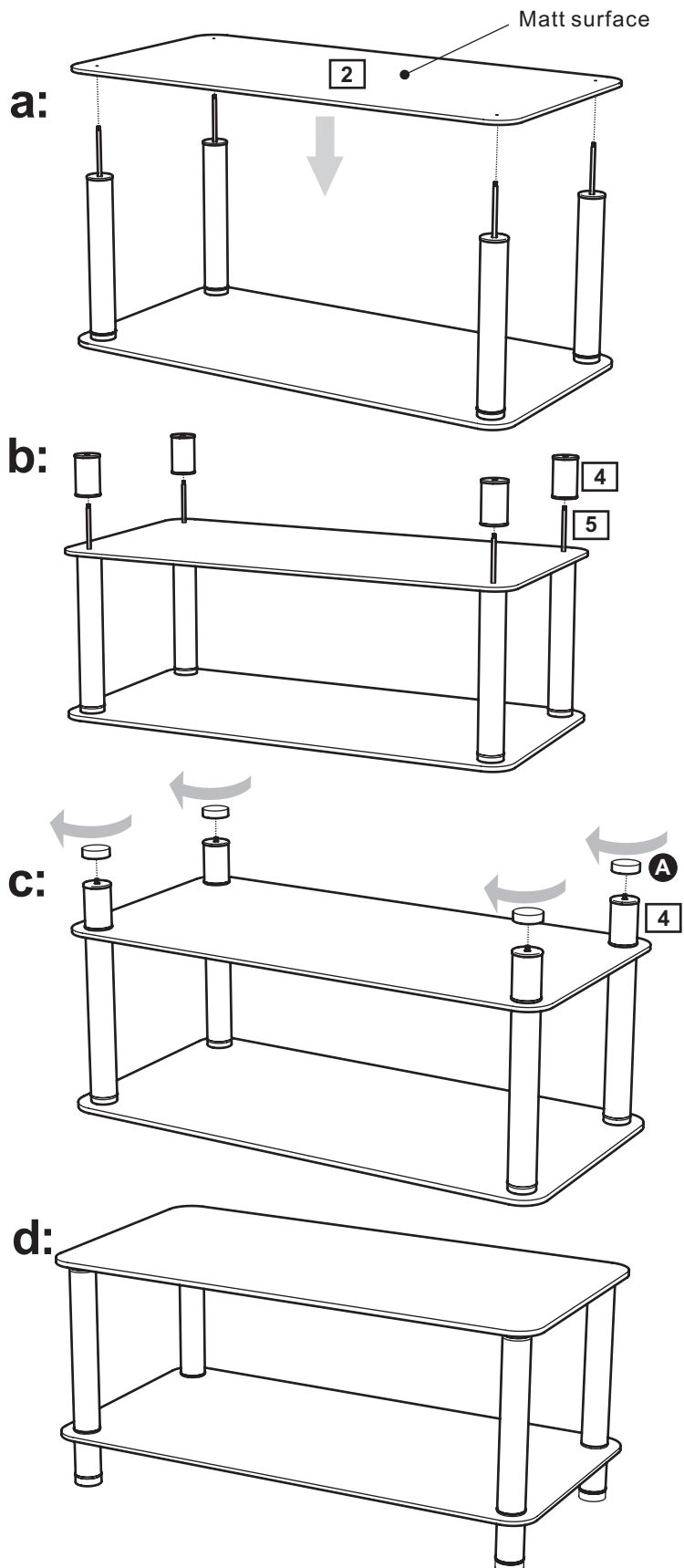
b: Attach Metal tubes M **4** through Metal Rods **5**.

c: Use Feet **A** to fix Metal tubes M **4** onto the unit.

d: With help, carefully turn the unit upright and place to desired location.

Note: The maximum loading of table top is 70kg.

Assembly is complete.



If you need help or have damaged or missing parts, call the **Customer Helpline : 08456 400800**

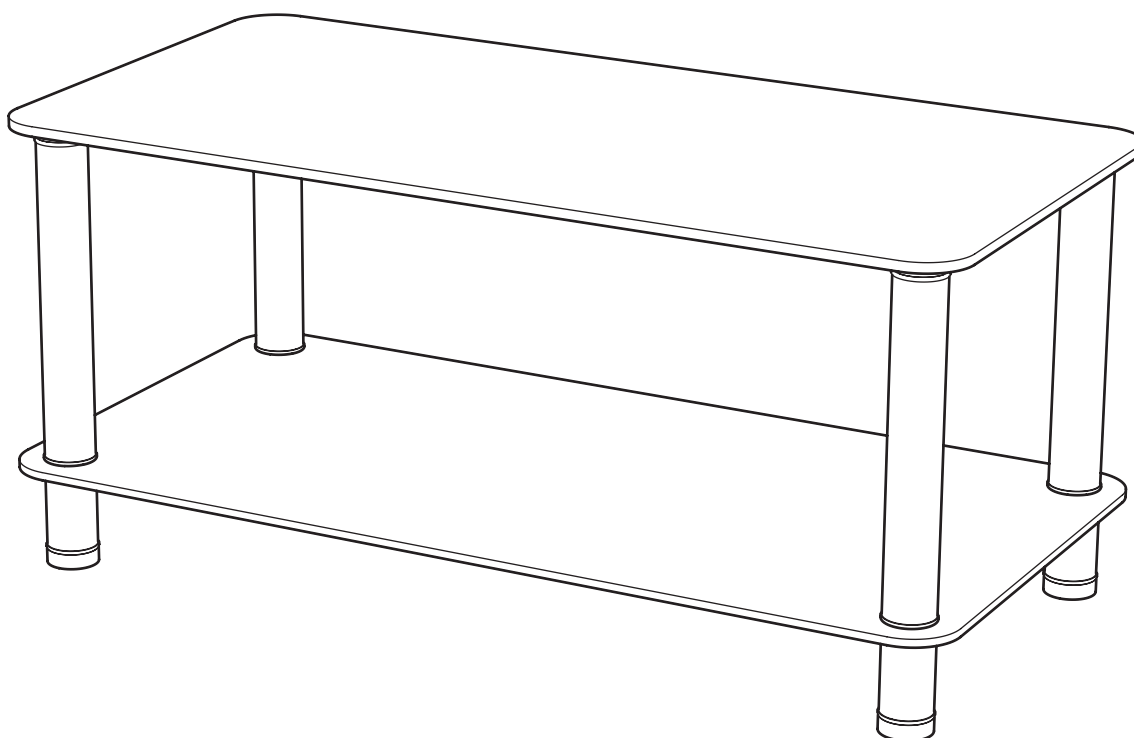
Matrix - Glass Coffee Table

Assembly Instructions - Please keep for future reference

610/8267

609/0708

hygena



Dimensions

Width - 100cm

Depth - 50cm

Height - 45cm

Important - Please read these instructions fully before starting assembly

If you need help or have damaged or missing parts, call the **Customer Helpline: 08456 400800**



Safety and Care Advice

Important - Please read these instructions fully before starting assembly

- Check you have all the components and tools listed on pages 2.
- Remove all fittings from the plastic bags and separate them into their groups.
- Keep children and animals away from the work area, small parts could choke if swallowed.
- Make sure you have enough space to layout the parts before starting.

- Do not stand on the panels, this could cause damage.
- Assemble the unit as close to its final position (in the same room) as possible.
- Assemble on a soft level surface to avoid damaging the unit or your floor.
- Parts of the assembly will be easier with 2 people.



- We do not recommend the use of power drill/ drivers **for inserting screws**, as this could damage the unit. Only use hand screwdrivers.
- Dispose of all packaging carefully and responsibly.
- **Warning:** The unit weighs approximately 18.8kgs. **Please lift with care.**

Keep these instructions for future reference

• This product complies with BSEN14749.

• Argos Ltd. MK9 2NW.

• If a glass component is chipped or broken, stop using the product and consult the manufacturer supplier.

Warning

• Do not place very hot or very cold items against or in close proximity to glass surfaces unless an adequately thick insulating material is used to prevent such items from coming into contact with the glass.

• Do not strike the glass with hard or pointed items.

• When cleaning glass panels use a damp cloth or leather with washing up liquid or soft soap if necessary; do not use washing powders or any other substances containing abrasives since these substances scratch glass.

Care and maintenance

• Only clean using a damp cloth and mild detergent, do not use bleach or abrasive cleaners.

• From time to time check that there are no loose screws on this unit.

• This product should not be discarded with household waste. Take to your local authority waste disposal centre.

• Assembly to be carried out by the competent adult only.

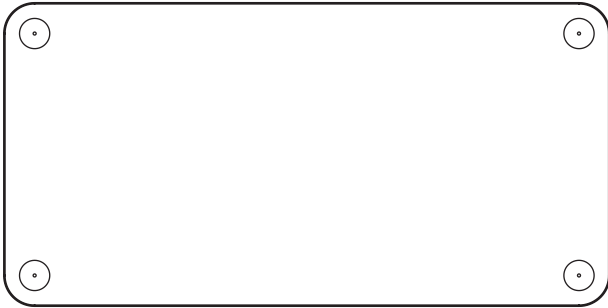
• During assembly children should be kept away from the product due to the potential risk of injury.

• Do not use this item if any components are missing or damaged.

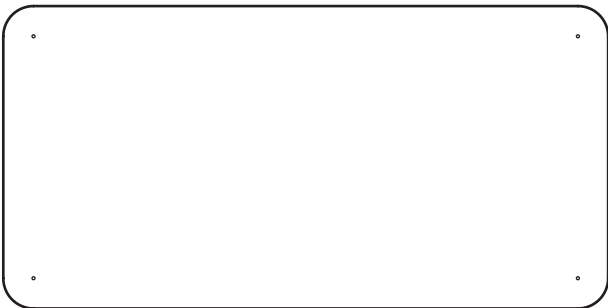
Components

If you have damaged or missing components,
call the **Customer Helpline:08456 400800**

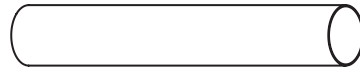
Please check you have all the panels listed below



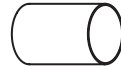
1 Top (100 x 50cm)



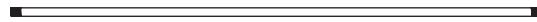
2 Bottom (100 x 50cm)



3 Metal tube L (5 x 34.5cm)



4 Metal tube M (5 x 8.5cm)



5 Metal rod (0.7 x 43.3cm)



6 Feet x 4
(5x1.4cm)



7 plastic pad x 8
(5x1.4cm)

Ruler - Use this ruler to help correctly identify the screws

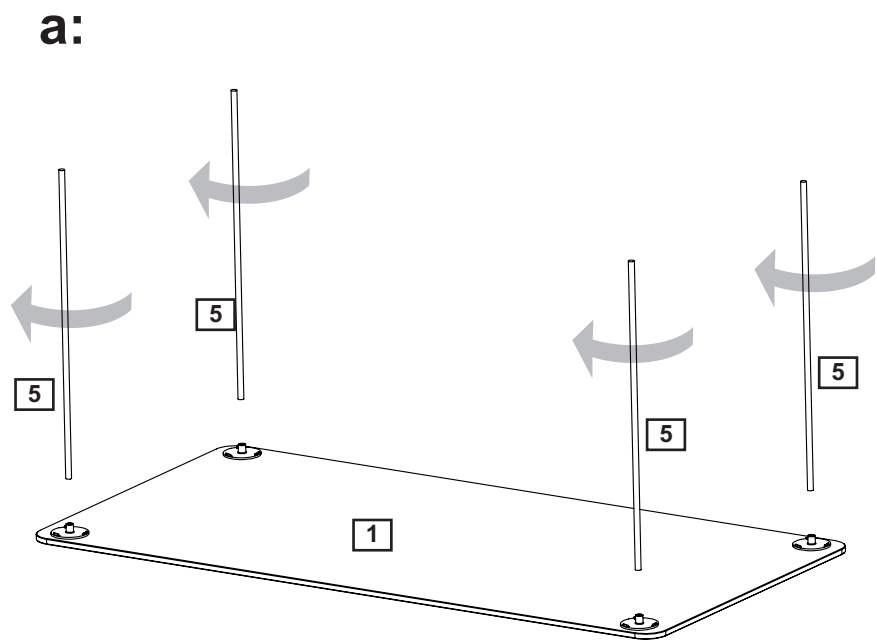


Assembly Instructions

Step 1

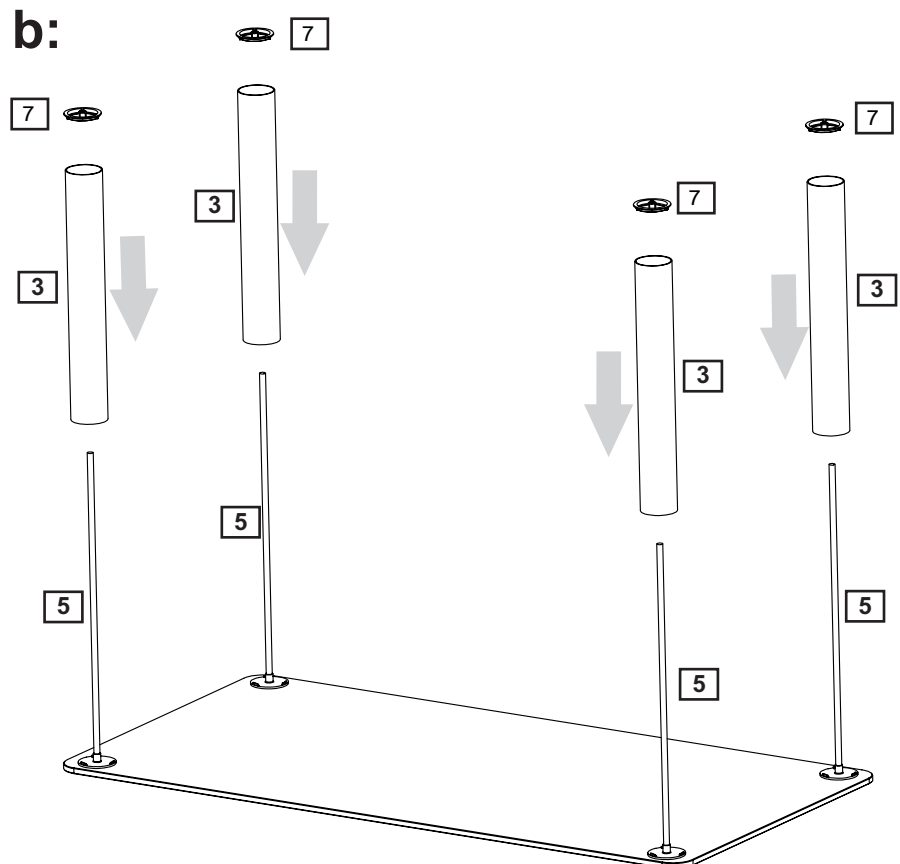
Fitting the rods

Screw in Metal rods **5**
into Top **1**.



Note: It is recommended to wear an eye protection.

b: Attach Metal tubes L **3** and 4 pcs of plastic pad **7** through 4 pcs of metal rods **5** as shown.



Assembly Instructions

Step 2

Fitting shelf

Note: It would be useful to ask someone to help you at this stage.

a: With help, carefully place Shelf **2** onto the unit.

Note: It is recommended to wear an eye protection.

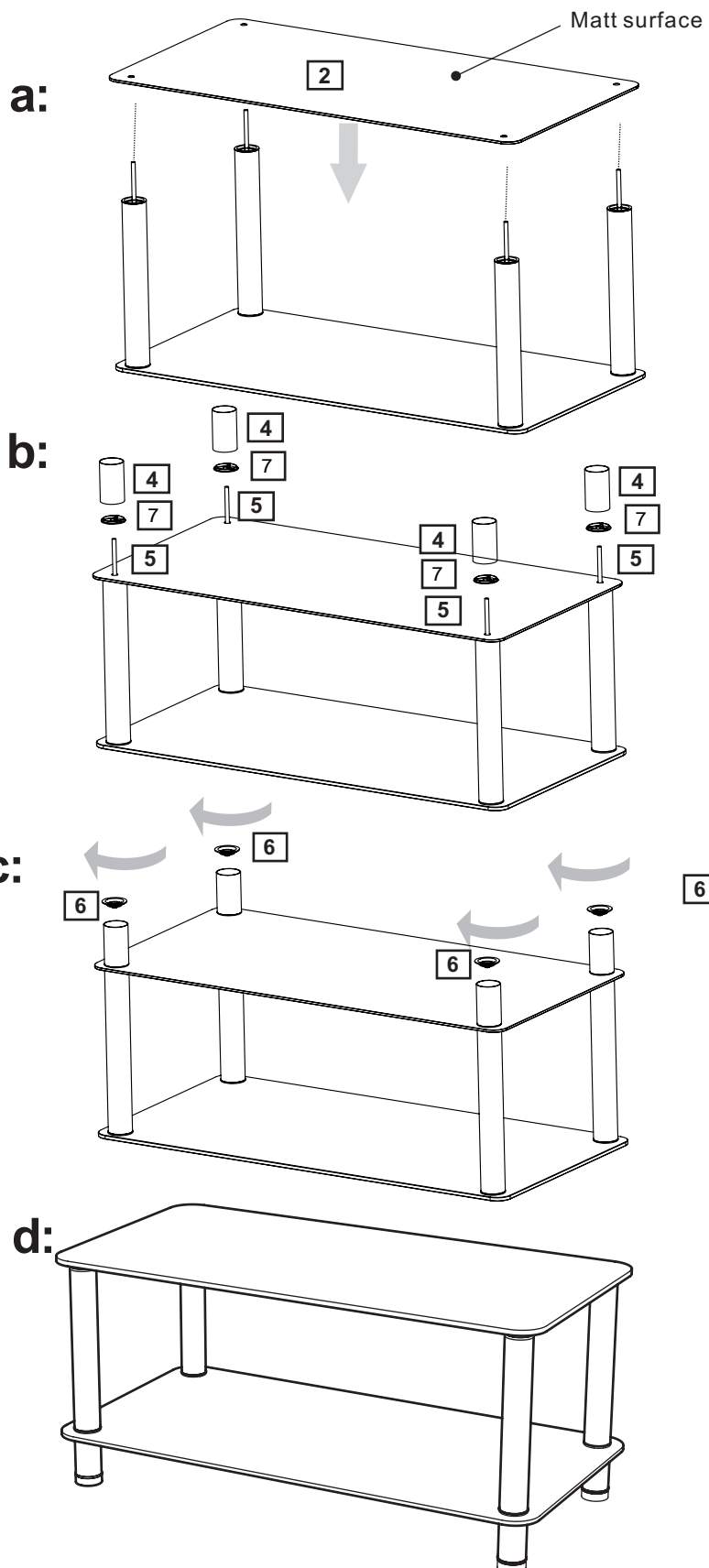
b: Attach Metal tubes M **4** and 4 pcs of plastic pad **7** through 4 pcs of metal rods **5** as shown.

c: Finger tighten 4 pcs of feet **6** onto metal rods **5** as shown.

d: With help, carefully turn the unit upright and place to desired location.

Note: The maximum loading of table top is 70kg.

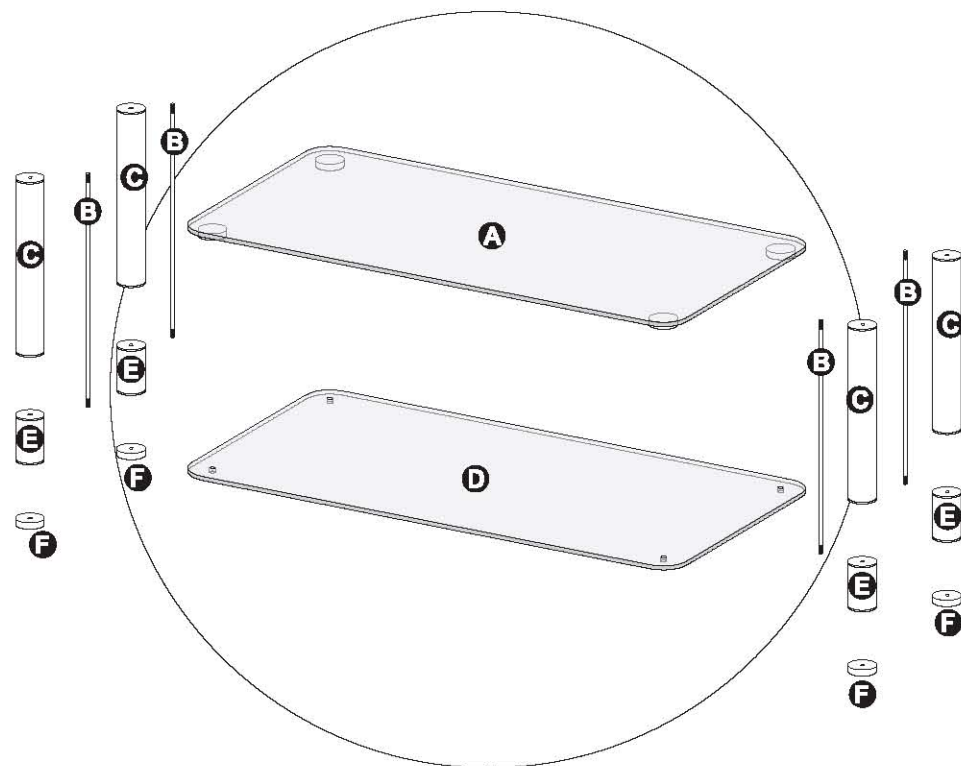
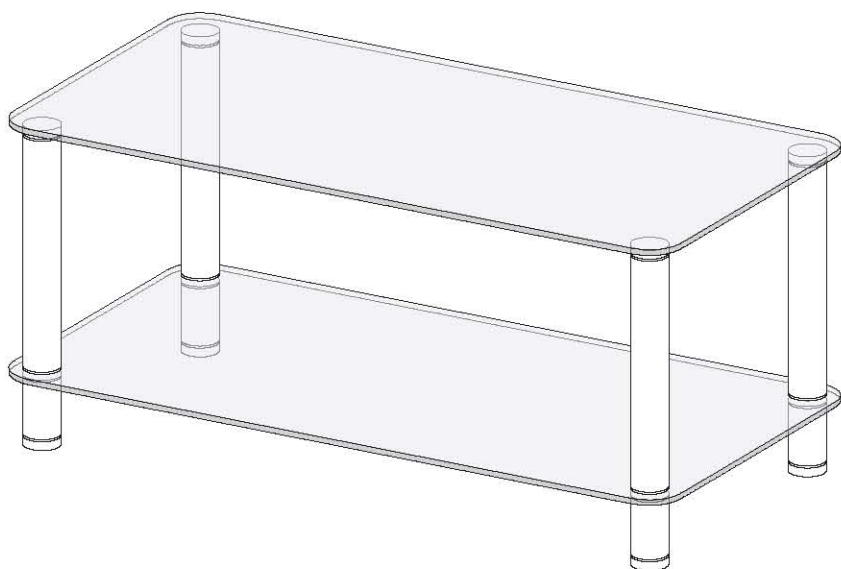
Assembly is complete.



If you need help or have damaged or missing parts, call the **Customer Helpline : 08456 400800**

Matrix Glass / Metal Coffee Table

Simplified Assembly Instructions - Please keep for future reference



IMPORTANT

1. Read these instructions carefully and familiarise yourself with the procedures before assembling the unit.
2. Check that you have all the component parts. Follow the list on the back cover and familiarise yourself with each part before proceeding.
3. Take all the fittings out of the plastic bag and separate them into their groups.
4. Ensure you have enough space to lay out all parts before assembly.
5. To avoid scratches. It is recommended that you assemble the unit on a soft leveled surface.

WARNING

- Do not place very hot or cold items on the glass surface(s) unless adequately thick table mats are used to prevent such items from coming into contact with the glass.
- Do not sit or stand upon the glass surface(s).
- Do not use the glass as a chopping surface. Do not strike the glass with hard or pointed items.
- When cleaning glass panels use a damp cloth or leather with washing up liquid or soft soap if necessary; do not use washing powders or any other substances containing abrasives since these substances scratch glass.

Instructions for BS 7376 for products (tables or trolleys) which include glass

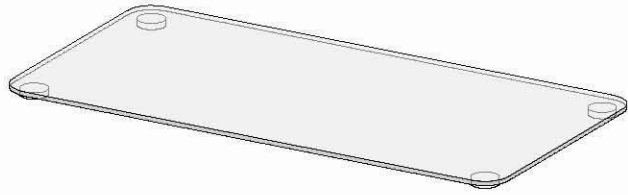
KEEP THESE INSTRUCTIONS FOR FUTURE REFERENCE

BS 7376: 2004
Argos plc
489-499 Avebury Boulevard
Central Milton Keynes
MK9 2NW

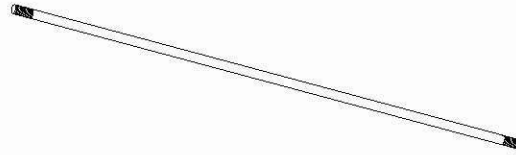
Product Name : **Matrix Glass / Metal Coffee Table 610/8267**
Batch Number : **051027**
Date of Manufacture : **Oct 2005**

If the glass is chipped or broken stop using the product and consult the manufacturer or supplier

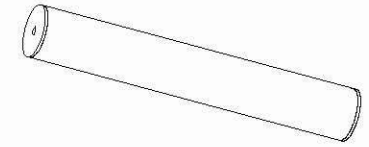
Components



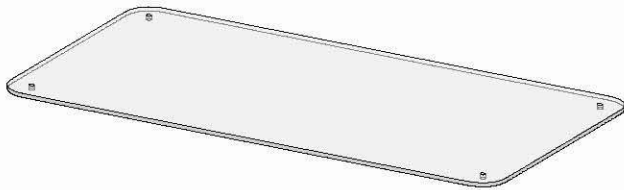
A Glass Top x 1



B Metal Rod x 4



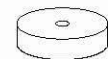
C Metal Tube x 4



D Glass Shelf x 1



E Metal Tube x 4



F Metal Feet x 4

Assembly Instructions

Stage 1 - Fitting Metal Rod B and Metal Tube C

fig 1

Finger tighten 4 pcs of Metal Rods **B** onto Glass Top **A** as shown.

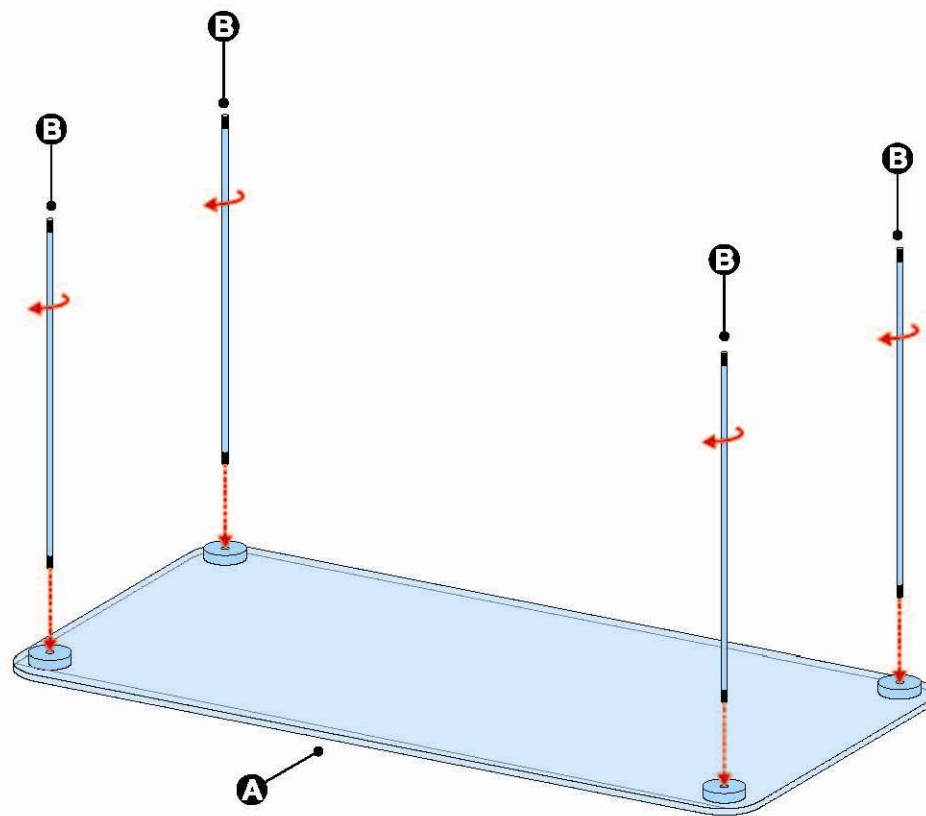
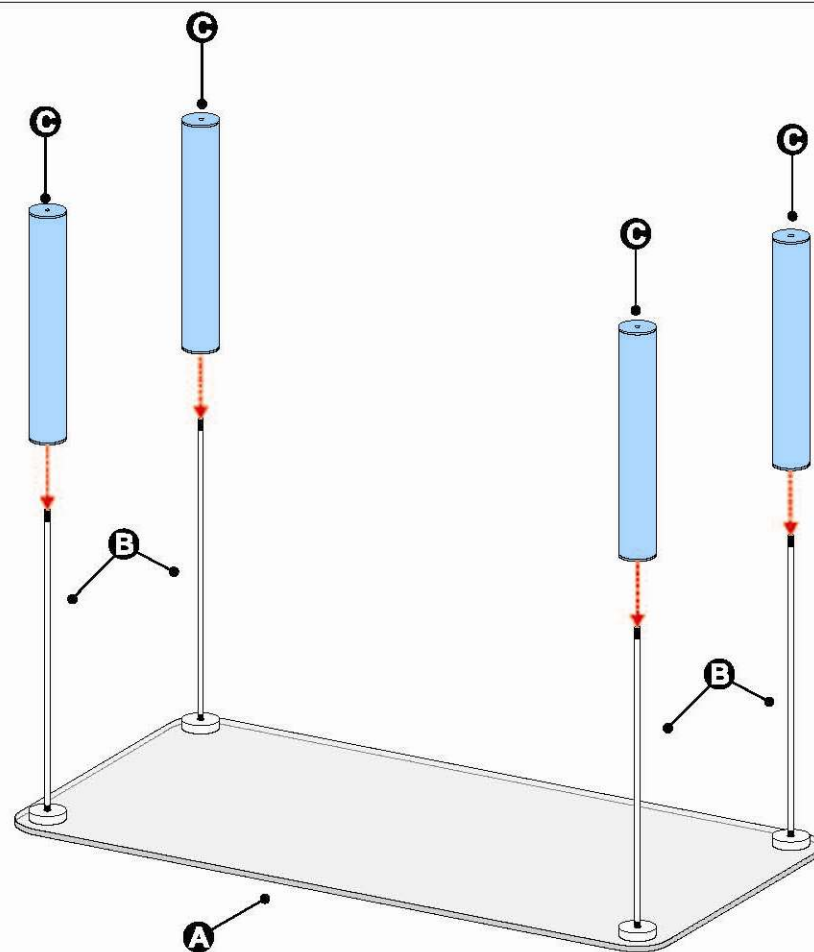


fig 2

Attach 4 pcs of Metal Tube **C** through 4 pcs of Metal Rods **B** as shown.



Assembly Instructions

Stage 2 - Fitting Glass Shelf D and Metal Tube E

fig 3

Please be careful to place Glass Shelf D through 4 pcs of Metal Rods B as shown.

fig 3

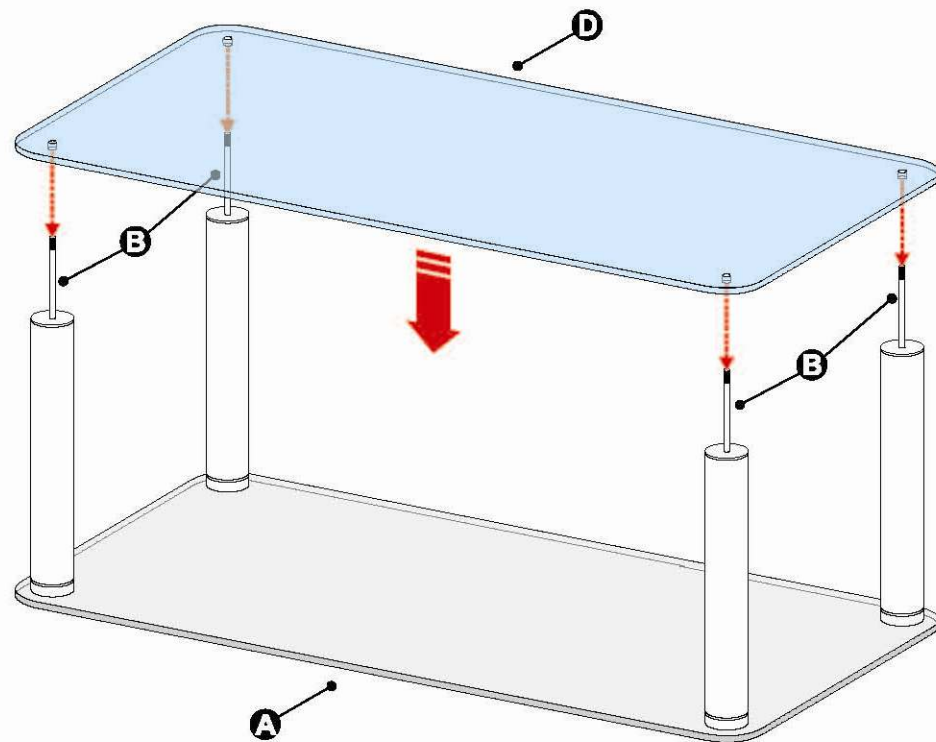
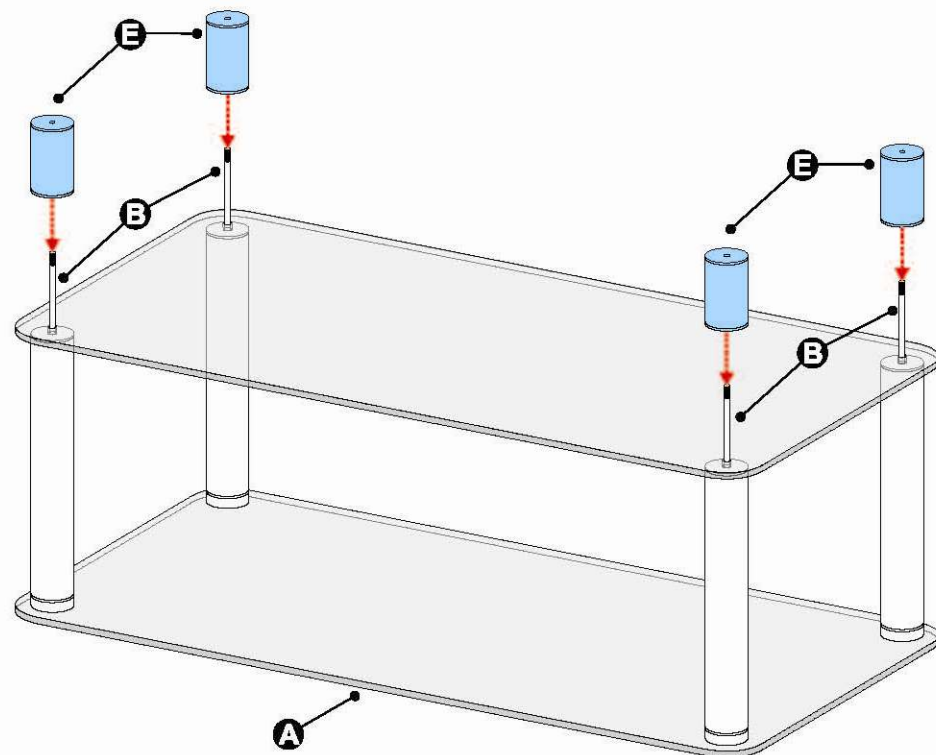


fig 4

Attach 4 pcs of Metal Tube E through 4 pcs of Metal Rods B as shown.

fig 4



Assembly Instructions

Stage 3 - Fitting Metal Feet F

fig 5

Tighten 4 pcs of Metal Feet **F** on the unit by hand as shown.

fig 5

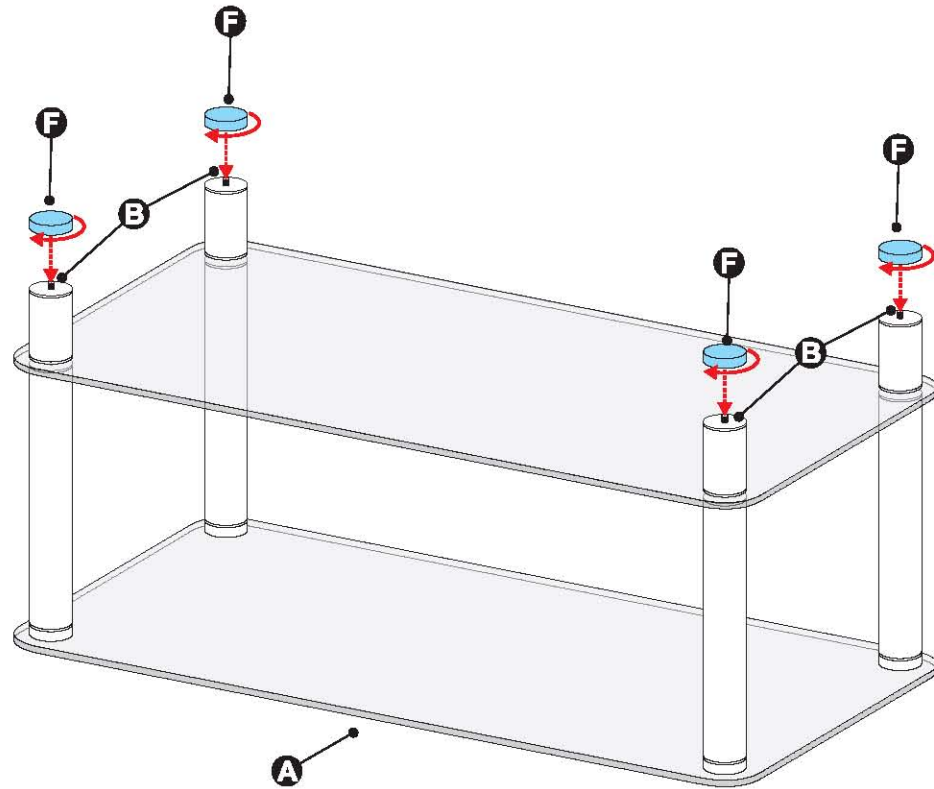
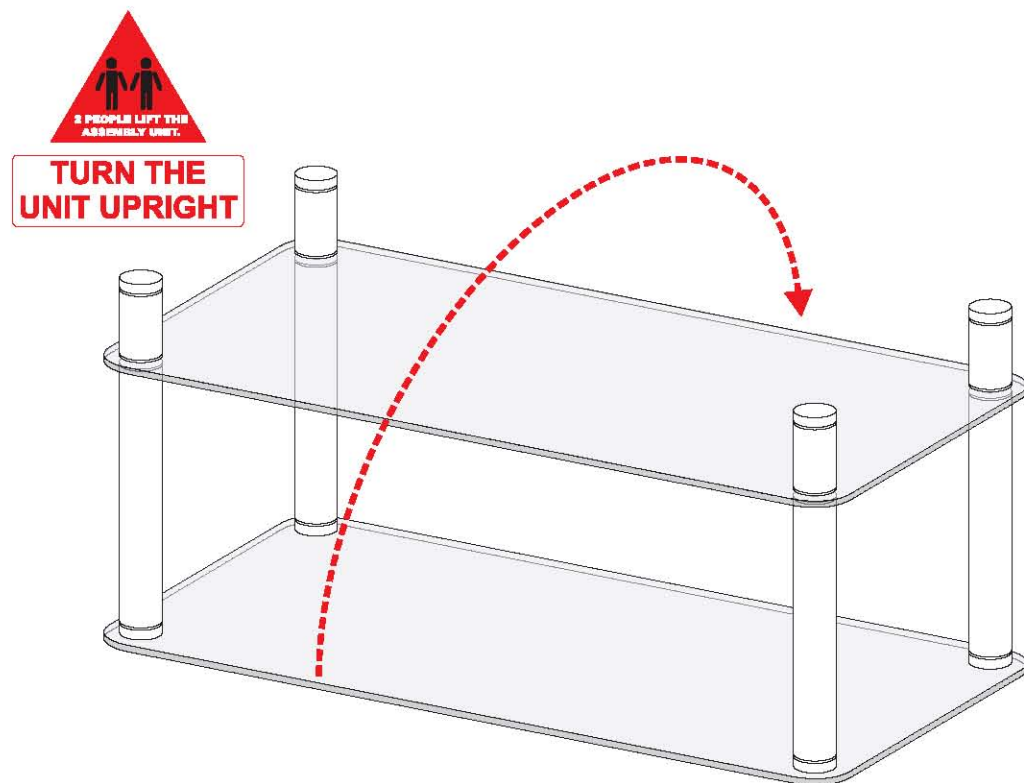


fig 6

Please check carefully if all parts are tightened before turn the unit over.

fig 6



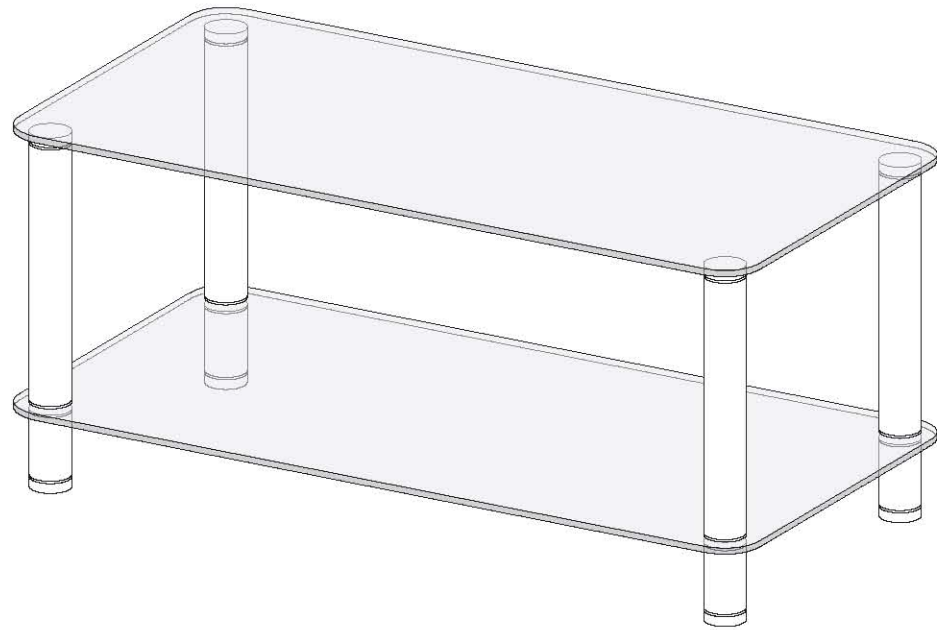
Assembly Instructions

Stage 4 - Completed

fig 7

Completed.

fig 7



Completed.

Care and Maintenance

Cleaning

Clean all surfaces with a damp cloth and mild detergent. Please do not use bleach or abrasive products.

Fitting

From time to time check to ensure the screws and legs remain rigid.